

GP15000E

GP SERIES
Commercial/Residential
Portable Generators

Features

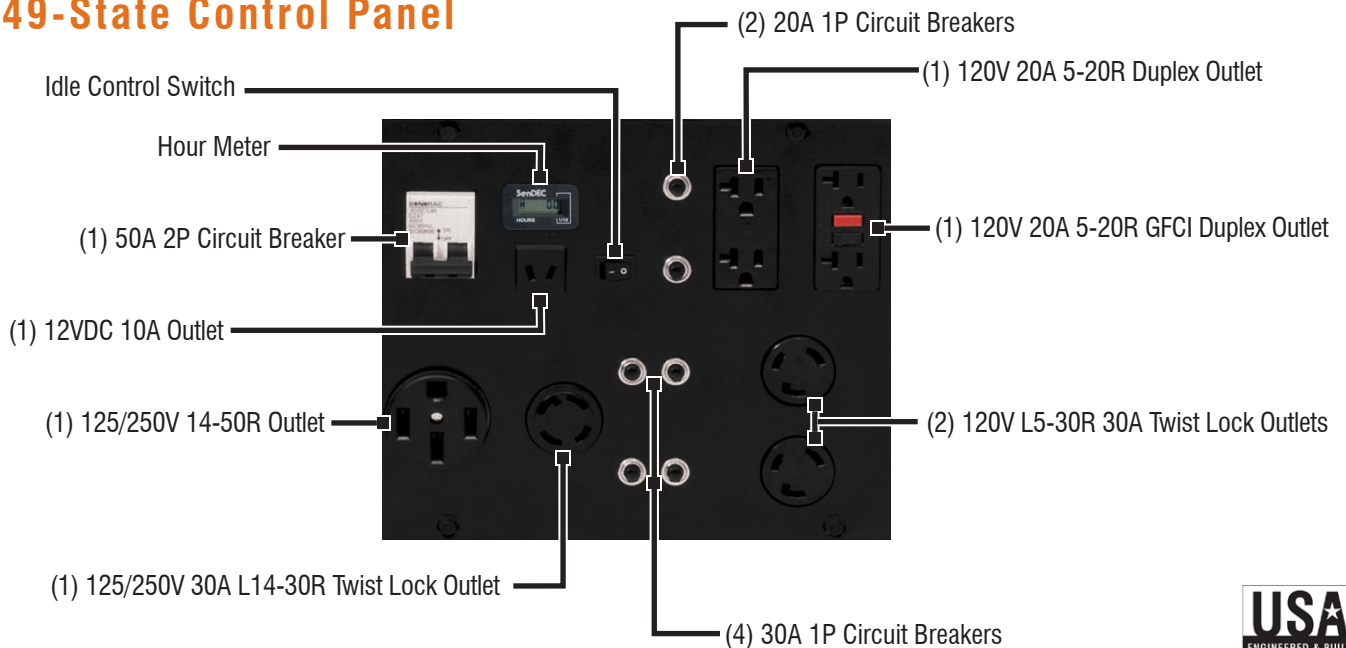
Model 5734-1 UPC: 696471057348
(EPA/49-ST)

- **The Generac OHVI® engine** incorporates full pressure lubrication with automotive style spin on oil filter for longer life engine.
- **Idle control** reduces noise and conserves fuel for extended run-times.
- **Hour meter** tracks maintenance intervals.
- **Large-capacity fuel tank** with incorporated fuel gauge provides durability and extended run times.
- **Low-oil pressure shutdown** automatically safeguards engine from damage.
- **Hardened 1 1/4" steel tube cradle** for added durability and strength.
- **Integrated lifting eye** for easy transport and security on the job site.



AC Rated Output Running Watts 15000
AC Maximum Output Starting Watts 22500

49-State Control Panel



GP15000E

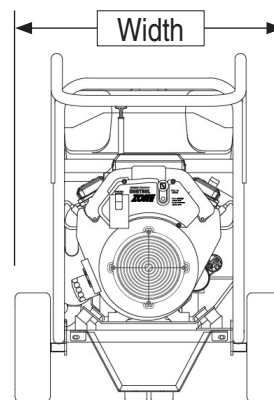
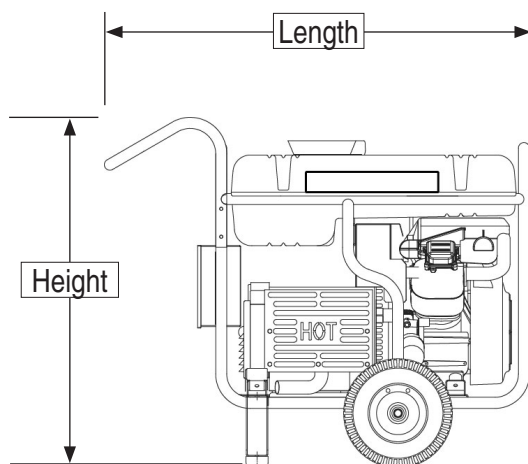
specifications

Product Series	GP15000E
Model (Configuration)	5734-1 (EPA/49-State)
AC Rated Output Running Watts:	15000
AC Maximum Output Motor Starting Watts:	22500
AC Voltage	120/240 VAC
AC Frequency	60 Hz
Rated VAC Amperage	125/62.5
Max Rated VAC Amperage	187.8/93.75
Engine Displacement	992cc
Engine Type	OHVI
Engine RPM	3600
Recommended Oil	10W-30 / SAE30
Lubrication Method	Oil Pump
Automatic Voltage Regulation (AVR)	Yes
Oil Filter	Yes - Spin On
Choke Location	On Engine
Fuel Shut Off	On Fuel Tank
Starting Method	Electric
Low Oil Shutdown Method	Low Pressure
Battery Type	Group U1, 360 CCA
Neutral Bonded to Ground	No - Floating Neutral

Start Switch Type	On/Off/Start Switch
Switch Location	On Engine
Fuel Gauge	Built-In Tank
Fuel Tank Capacity Gal (Ltr)	16 (60.6)
Fuel Filter	Yes
Run Time at 50% (Hours)	10
Handle Style	Fixed
Wheel Type	12.3 Pneumatic Wheels
Warranty - Residential	2 Year Ltd
Warranty - Commercial	1 Year Ltd
Maintenance Kit	Included - Model 5721 - Air Filter - Oil Filter - (2) Spark Plugs - Oil Funnel - Chamois - Stabil Sample

Dimensions and Weights

Length in (mm)	48.5 (1232)
Width in (mm)	31 (787)
Height in (mm)	39.5 (1003)
Carton Length in (mm)	49 (1245)
Carton Width in (mm)	23.25 (592)
Carton Height in (mm)	35.5 (902)
Unit Weight lbs (kg)	363 (165)
Shipping Weight lbs (kg)	425 (193)



GENERAC[®]

Generac Power Systems, Inc. • P.O. Box 8, Waukesha, WI 53187 • generac.com

©2013 Generac Power Systems, Inc. All rights reserved. All specifications are subject to change without notice. Bulletin 0196650-A / Printed in U.S.A. 09/19/13