

TIMBER TUFF

Deluxe Wood Handle Timber Jack

MODEL# TMB-55

Important Safety Information

Read and understand all safety precautions and instructions before use.

- ALWAYS wear ANSI approved safety glasses, with protective hand and foot protection at all times
- The Timber Jack is for outdoor use ONLY
- Check Timber Jack before every use for signs of wear. DO NOT use if any parts are damaged or missing. Replace damage or missing parts before use.
- This Timber Jack is designed to handle logs up to 14" diameter



Assembly Instructions: (see diagram below)

Step 1: Attach the log Hook (#2) to the body (#3), as shown, with bolt (#5), Washer (#7), and nut (#6). Tighten nut securely, but not tight enough to prevent the log hook from rotating.

Step 2: Attach the lifting tube (#4) to the body (#3) with two sets of hardware bolt (#5), washer (#7), and nut (#6).

Warnings and Cautions!

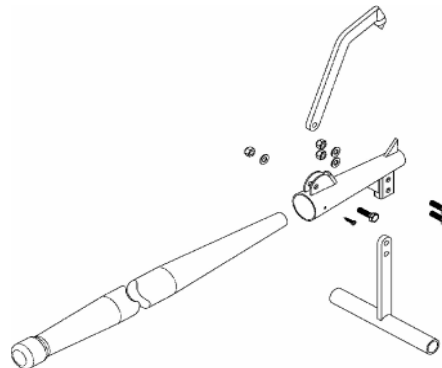
Be sure to tighten all nuts and bolts prior to first use, and check them periodically for loosening.

2) Ensure that the steel handle is threaded into the tube body firmly to avoid sliding off the handling. Incomplete assembly can cause logs to slip and fall onto the user, causing injury.

Parts Diagram

Part List

Part No.	Description	Q'tY(Pcs)
1	Handle	1
2	Log Hook	1
3	Body	1
4	Lifting Tube	1
5	Bolt M10-1.5 X 35	3
6	Nylock Nut M10-1.5	3
7	Washer	3
8	Screw	1



Warning: B.A.C. Industries, Inc. will not be held liable for any damages, losses, or injury due to misapplication or misuse of this product or for any other reason. Proper eye, hand and foot protection should be worn at all times.

For additional products or any other questions, please contact our office or visit our website.

TIMBER TUFF c/o BAC INDUSTRIES, INC.

PO BOX 155

Milona, MN 56354

PHONE: 218-943-6290

[EMAIL: bacindsales@msn.com](mailto:bacindsales@msn.com)