

# 3951103



## Abrasive Blast Cabinet Assembly & Operating Instructions



**READ ALL INSTRUCTIONS AND WARNINGS BEFORE USING THIS PRODUCT.**

**SAVE THESE INSTRUCTIONS FOR FUTURE REFERENCE.**

This manual provides important information on proper operation and maintenance. Every effort has been made to ensure the accuracy of this manual. We reserve the right to change this product at any time without prior notice.

**STOP! DO NOT RETURN THIS PRODUCT TO THE RETAILER.**

**Questions? Problems? CONTACT CUSTOMER SERVICE.**

If you experience a problem or need parts for this product, visit our website <http://www.buffalotools.com> or call our customer help line at 1-888-287-6981, Monday-Friday, 8 AM - 4 PM Central Time. A copy of the sales receipt is required.

# TABLE OF CONTENTS

RECOGNIZE SAFETY SYMBOLS, WORDS AND LABELS.....	2
SERVICE.....	5
SPECIFIC SAFETY RULES AND/OR SYMBOLS .....	5
PACKAGE CONTENTS .....	6
COMPONENTS.....	6
ASSEMBLY .....	6
OPERATION .....	6
MAINTENANCE .....	7
PARTS DIAGRAM.....	7
PARTS LIST .....	8

## RECOGNIZE SAFETY SYMBOLS, WORDS AND LABELS

### What You Need to Know About Safety Instructions

Warning and Important Safety Instructions appearing in this manual are not meant to cover all possible conditions and situations that may occur. Common sense, caution and care must be exercised when assembling or using this product.

Always contact your dealer, distributor, service agent or manufacturer about problems or conditions you do not understand.



**WARNING** This is a safety alert symbol. It is used to alert you to potential personal injury hazards. Obey all safety messages that follow this symbol to avoid possible injury or death.



**CAUTION** This is a safety alert symbol. It is used to alert you to potential personal injury hazards. Obey all safety messages that follow this symbol to avoid possible injury or death.

## GENERAL PRODUCT SPECIFICATIONS



### FEATURES:

- Abrasive Blast Cabinet
- 4 Assorted Ceramic Nozzle
- Rubber Gloves
- Blasting Gun With Trigger
- Dust Collector Port
- Hopper & Screen

### SPECIFICATIONS

- |                    |                    |
|--------------------|--------------------|
| • Tank Volume      | 32 Lb Max Capacity |
| • Working Pressure | 40-80 PSI          |
| • Air Consumption  | 5 CFM              |

**KEEP THIS MANUAL, SALES RECEIPT & APPLICABLE WARRANTY FOR FUTURE REFERENCE.**

**READ ALL INSTRUCTIONS AND WARNINGS BEFORE USING THIS PRODUCT.**

When unpacking, check to make sure all parts listed are included. If any parts are missing or broken, please call Customer Service at 1-888-287-6981.

**FOR CONSUMER USE ONLY – NOT FOR PROFESSIONAL USE**

### IMPORTANT SAFETY RULES

COMMON SENSE AND CAUTION ARE FACTORS WHICH CANNOT BE BUILT INTO ANY PRODUCT. THESE FACTORS MUST BE SUPPLIED BY THE OPERATOR.

**⚠ WARNING**

**Keep your work area clean and well lit.** Cluttered work benches and dark work areas may cause accidents or injury.

**Do not operate the abrasive blaster in explosive areas, such as in the presence of flammable liquids, gases or dust.** Tools create sparks which may ignite the dust or fumes.

**Keep bystanders, children and visitors away while operating the abrasive blaster.** Distractions can cause you to lose control.

**⚠ CAUTION**

**Do not force tool. Use the correct tool for your application.** The correct tool will do the job better and safer at the rate for which it is designed.

**Store idle tools out of reach of children and other untrained persons.** Tools are dangerous in the hands of untrained users.

**⚠ DANGER**

**Always check to make sure that the power switch is turned off before connecting blaster to power source.** Tool may cause damage to property or person if plugged in while power switch is on.

**⚠ WARNING**

**All work areas should be clean and well lit.** Accidents can occur in poorly lit and cluttered areas.

**⚠ WARNING**

**Keep children, and other distractions at a distance while operating the Blast Cabinet.**

**⚠ WARNING**

**Use common sense while operating this abrasive blast cabinet.**

Do not use this tool if you are:

- Feeling tired or are under the influence of alcohol or drugs.
- Wearing loose clothing or jewelry. Keep long hair pulled back and away from moving parts.
- Overreaching or have improper footing. Handling the tool in this way could cause serious injury.
- When using this blast cabinet, always:
- Wear the proper safety equipment, such as safety goggles, dust masks, non-skid shoes, etc.
- Check that the power switch is in the "OFF" position before plugging the unit into an electrical outlet.

**⚠ CAUTION**

**Use the correct tool for the job.** Using the correct tool is safer and faster.

**Keep out of reach of children, or any untrained person.** Store tools in a safe and dry place.

**Check to be sure all moving parts are free from binding and are properly aligned.**

Use only accessories that are recommended by the manufacturer for your tool model.

**⚠ WARNING**

**Safety glasses and ear protection must be worn during operation.**

## SERVICE

**Tool service must be performed only by qualified repair personnel.** Service or maintenance by unqualified personnel could result in a risk of injury.

**When servicing a tool, use only identical replacement parts and follow instructions in the manual.** Use of unauthorized parts or failure to follow Maintenance Instructions may create a risk of shock or injury.

## SAVE THESE INSTRUCTIONS FOR FUTURE REFERENCE.

This manual contains important information regarding safety, operation, maintenance and storage of this product. Before use, read carefully and understand all warnings, cautions, instructions and labels. Failure to do so could result in serious personal injury, property damage or even death.

## IMPORTANT SAFETY INSTRUCTIONS

### **WARNING**



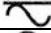


**Before using this tool, you need to become familiar with its operation.** If you are unsure about the operation of the tool, or have any questions about its proper use, call the Customer Service Department at 1-888-287-6981. Follow these instructions for safe handling of the tool:

- **Close and latch the door before operating the Blast Cabinet.**
- **Check for damaged parts before use.** Do not operate the Blast Cabinet if there are damaged parts.
- **Maintain proper footing.** Make sure you have secure footing and balance.
- **Clean spills and sand abrasive in the work area.**

## SPECIFIC SAFETY RULES AND/OR SYMBOLS

### SYMBOLS

The following symbols may be used on your tool. Be familiar with and learn the symbols to operate the tool safely.

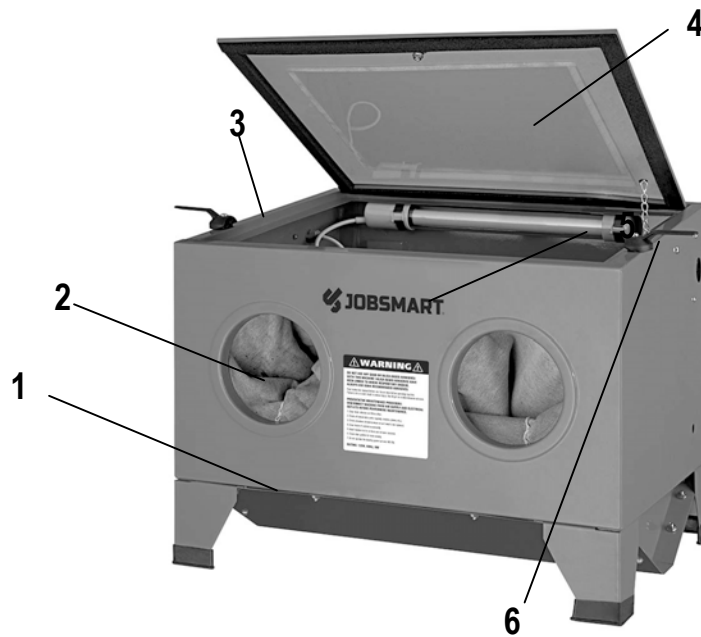
Symbol	Name	Description
V	Volts	Voltage (Potential)
A	Amperes	Current
Hz	Hertz	Frequency (Cycles per Second)
W	Watt	Power
Kg	Kilograms	Weight
	Alternating Current	Type of Current
	Direct Current	Type of Current
	Alternating or Direct Current	Type of Current
	Earthing Terminal	Grounding Terminal
	Class II Construction	Denotes Double Insulation
min	Minutes	Time
s	Seconds	Time
$\phi$	Diameter	Size of Drill Bits, Grinding Wheels, etc.
$n_0$	No Load Speed	No-load Rotational Speed
.../min	Revolutions per Minute	Revolutions, Surface Speed, Strokes, etc. per Minute
1,2,3...	Ring Selector Settings	Speed, Torque or Position Settings

## PACKAGE CONTENTS

- Abrasive Blast Cabinet
- 4 Assorted Ceramic Nozzle
- Rubber Gloves
- Blasting Gun With Trigger
- Dust Collector Port
- Hopper & Screen

## COMPONENTS

1. Blast Cabinet
2. Glove Port
3. Power Switch
4. Window
5. Window Lift Knob
6. Lid Swivel Clamp



## ASSEMBLY

### **⚠ WARNING**

Be certain the Blast Cabinet is not connected to a power source before assembly. Plug the Blast Cabinet into a power source only when assembly is complete.

Refer to the Parts Diagram and Parts List to assist with assembly.

1. Peel the thin plastic overlay off of the glass lens.
2. Remove any protective backing that is found on the cabinet or on the door or other part.
3. Attach Air Hose to the Air Tube to the Blast Gun. Place the air hose inside the Cabinet with the long end facing to the back.
4. Attach the Air Hose to the connect Air Hose.

## OPERATION

### **⚠ CAUTION**

Always wear your hood, dust mask and heavy duty canvas gloves when operating the abrasive blaster.

### **⚠ WARNING**

Before operating your abrasive blaster, inspect each connection, double checking to make sure that all are tight and properly sealed.

### **⚠ WARNING**

**THIS MACHINE IS NOT INTENDED FOR USE WITH SILICA BASED ABRASIVES. SILICA BASED ABRASIVES HAVE BEEN LINKED TO SEVERE RESPIRATORY DISEASE. ALWAYS USE SILICA SUBSTITUTES WHEN ABRASIVE BLASTING!**

Open the Blast Cabinet Window and fill the cabinet with fine abrasive material. Use about 10 pounds.

The Sand will feed from the air tube. The air hose is attached to the base of the gun. Connect the air compressor. Set the compressor pressure regulator to 80 PSI. Do not exceed 80 PSI.

Open the cabinet window and place the work piece in the center. Close the window securely.

Insert your hands into the gloves. Be certain your fingers are properly positioned and you can move your hands easily and grip the work piece comfortably.

Point the nozzle and operate the gun to be certain that the blaster is working correctly. Make certain there is no leaks.

Hold the work piece, and position your fingers so that the glove is not in the way of the work piece. Reposition the work piece as needed in order to access the complete surface area.

Use a circular motion or side-to-side motion, and the nozzle should be 2 inches away from the work piece.

Once the work piece is completed, remove your hands from the gloves and turn the blaster and compressor off.

Dirt and water in the air supply are major causes of pneumatic tool wear. Use a filter/oiler for better performance and longer life of the tool. The filter must have adequate flow capacity of r the specific application.

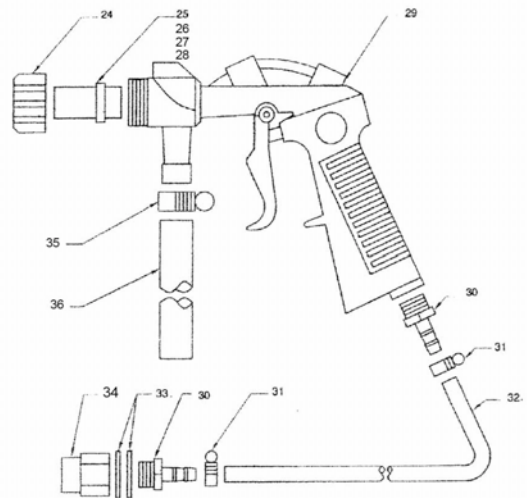
## MAINTENANCE

### **⚠ WARNING**

**Keep your abrasive blaster clean, and protect it from damage.**

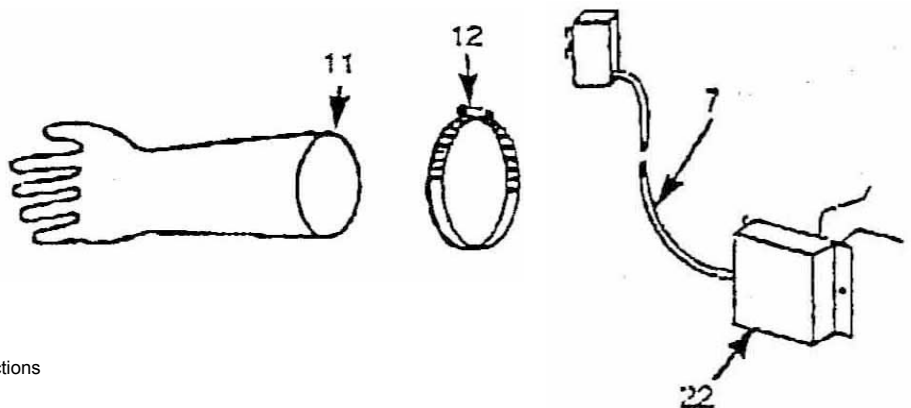
Check for damaged parts before and after use. Replace any parts which appear worn. Call customer service for replacement parts if needed.

## PARTS DIAGRAM



## PARTS LIST

Part #	Description
SBC901	Grid
SBC902	Fluorescent Tube 12V
SBC903	End Connector
SBC904	Plastic Cover
SBC905	Input Cable Assembly
SBC906	Cable Gland Assembly
SBC907	Power Cable Assembly



- SBC908 Main Filter
- SBC909 Secondary Filter
- SBC9010 Retaining disc
- SBC9011 Rubber Gloves (pair)
- SBC9012 Worm Drive Clip
- SBC9013 Clear Plastic Lid
- SBC9014 Knob
- SBC9015 Lid Retaining Chain
- SBC9016 Replaceable Plastic Window
- SBC9017 Window Retaining Strip
- SBC9018 Lid Hinge
- SBC9019 Fluorescent Tube Clip
- SBC9020 Air Vent Foam Packing
- SBC9021 Lid Swivel Clamp
- SBC9022 Cable Transformer Box
- SBC9023 Cabinet Only (w/out lid)
- SBC9024 Nozzle adapter nut
- SBC9025 Abrasive Nozzle 4mm
- SBC9026 Abrasive Nozzle 5mm
- SBC9027 Abrasive Nozzle 6mm
- SBC9028 Abrasive Nozzle 7mm
- SBC9029 Abrasive gun
- SBC9030 Air Hose Adapter
- SBC9031 Worm Drive Clip Diameter 10
- SBC9032 Air Hose
- SBC9033 Flat Washer
- SBC9034 Air Adapter Nut
- SBC9035 Clamp
- SBC9036 Abrasive Intake Hose

