

# HOW TO ORDER REPAIR PARTS

THIS MANUAL WILL HELP YOU TO OBTAIN EFFICIENT, DEPENDABLE SERVICE FROM THE HEATER, AND ENABLE YOU TO ORDER REPAIR PARTS CORRECTLY.

KEEP THIS MANUAL IN A SAFE PLACE FOR FUTURE REFERENCE.

WHEN WRITING, ALWAYS GIVE THE FULL MODEL NUMBER WHICH IS ON THE NAMEPLATE ATTACHED TO THE INSIDE OF THE CABINET DOOR OF THE HEATER.

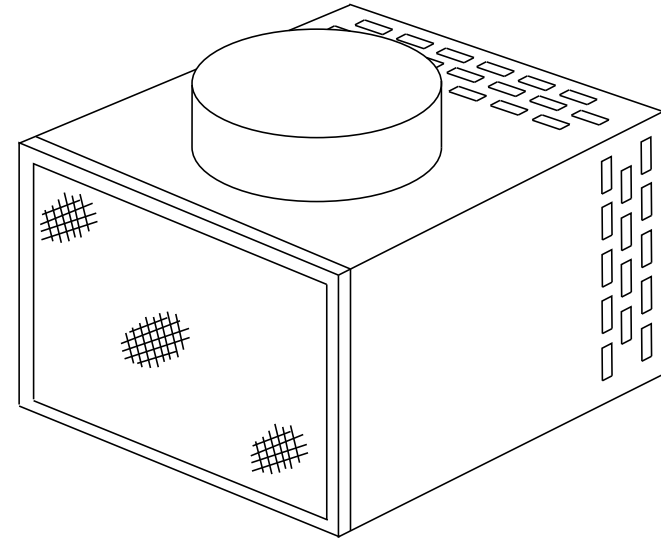
WHEN ORDERING REPAIR PARTS OR OPTIONS, ALWAYS GIVE THE FOLLOWING INFORMATION AS SHOWN IN THIS LIST:

1. The PART NUMBER
2. The PART DESCRIPTION
3. The MODEL NUMBER: \_\_\_\_\_
4. The SERIAL NUMBER: \_\_\_\_\_

BEFORE INSTALLING YOUR HEATER, FILL IN THE SERIAL & MODEL NUMBER OF YOUR HEATER IN THE SPACES PROVIDED ABOVE.

For Customer Service Contact a Manufacturer Representative at  
227 Industrial Park Rd.  
South Pittsburg, TN 37380  
(800)750-2723

# MIRACLE HEAT OWNERS MANUAL



Waste Heat Reclaimer



Read these instructions before operating or installing the unit.

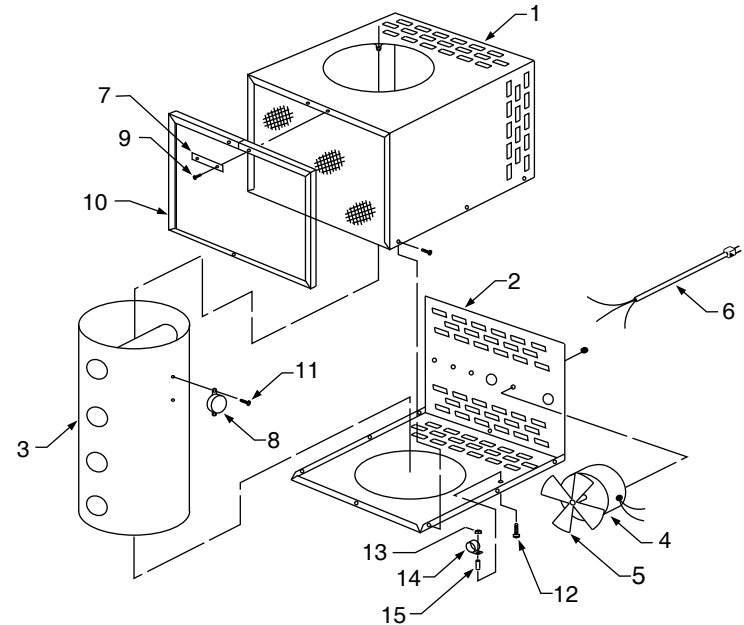
Save this booklet for future reference and guidance.

For Customer Service Contact a Manufacturer Representative at  
227 Industrial Park Rd.  
South Pittsburg, TN 37380  
(800)750-2723

Every wood or coal stove or furnace manufactured to date is not totally efficient. This means that heat which could be utilized is going up each and every chimney. The "Miracle Heat" Heat Reclaimer is designed to utilize a part of that lost heat, and yet let enough heat pass through the chimney to maintain proper draft and temperature so that creosote and soot formation is kept to a minimum. "Miracle Heat" Heat Reclaimer has a quiet, dependable 100 CFM fan that promotes heat circulation to improve overall efficiency. The amount of heat actually recovered will depend upon the type of fuel that is burned and the type of heating appliance on which the Miracle Heat is mounted.

Chimney draft will likewise have a significant effect on the efficient operation of your Miracle Heat. The greater your draft, the more you need a Miracle Heat. But if your draft is insufficient, your Miracle Heat will not operate as efficiently, and you will possibly contribute to your draft deficiency.

Your Miracle Heat heat exchanger is designed to work well on nearly every solid fuel stove manufactured, but was specifically designed for older model stoves which are less efficient by design. It has also proved very effective when used in conjunction with a catalytic damper, as the after-burned gases from a catalytic damper are themselves quite hot, and, again, represent waste heat (though harmful wood products are being burned off).



GENERAL INSTRUCTIONS:



Your Miracle Heat should not be installed by anyone inexperienced with such work or not familiar with precautions required and not capable of complying with all requirements set by the various authorities having jurisdiction. If you are unfamiliar with such an installation, then do not attempt to install it yourself. Have it done by a qualified installer, one who is well versed in heating equipment venting, its use and safety.

I. DO NOT...

1. Do not use a Miracle Heat that has a smaller flue diameter than the flue outlet on your fireplace, heater, or stove.

KEY	PART NO.	DESCRIPTION	QTY.
1	68274	Top/Side panel weld. (6")	1
	68275	Top/Side panel weld. (8")	1
2	22801	Back/Bottom panel (6")	1
	22803	Back/Bottom panel (8")	1
3	68273	6" Flue pipe/tubing Assy. (6")	1
	68275	8" Flue pipe/tubing Assy. (8")	1
4	80248	Electric Motor	1
5	89359	Fan blade	1
6	80232	Power supply cord	1
7	89524	M. heat front brass trim	1
8	80249	Thermostat	1
9	85630	Product Label	1
10	83348	#8x3/8" Pan hd. sheet metal screw	18
11	83351	#8x3/8" hex hd. sheet metal screw	10
12	83324	8-32x1-1/4" machine screw	1
13	83297	8-32 Hex Nut	1
14	80250	Power cord clamp	1
15	83350	Steel spacer	1
*	85854	M. heat UPC code label	1
*	80252	Closed end connectors	2
*	83349	#8-32 Nylon insert jam L. nut	2
*	80109	Strain relief bushing	1

\* Not Shown

## OPERATION:



Before beginning operation, double check and insure that all above procedures and steps have been completed: Build a fire in your stove or heater as usual. As mentioned before, there may be smoke and odor for the first five or ten minutes at the most. If smoke still persists, shut down your heater or stove and determine the cause. If your Miracle Heat is at fault, do not attempt repairs, but return the unit to the manufacturer or call our Customer Service Department to arrange for replacement.

Your Miracle Heat will turn on automatically by virtue of the thermostat shortly after your fire is started. It will turn off automatically after your fire cools down. Do not attempt to alter the thermostat in any way. This is not only a convenience feature, but an important safety device as well.

## CLEANING INSTRUCTIONS:



Failure to clean your Miracle Heat regularly, as described above and below, can result in a chimney fire or in smoke spillage from your heater.

At least twice a year during the heating season, remove (or have removed by a qualified service man) your Miracle Heat from the flue and give the unit a thorough cleaning. We further recommend that at least once a day your heater be maintained at high fire for ten to twenty minutes to help burn off unstable creosote (be sure of the condition of your chimney before attempting to maintain a "hot fire.")

2. Do not restrict air movement in or around or through the Miracle Heat.
3. Do not install on a stove or heater with a flue temperature of less than 350 degrees Fahrenheit.
4. Do not install the Miracle Heat closer than 18" to any combustible object or material.
5. Do not install the Miracle Heat on a heater or stove which "smokes". The Miracle Heat will aggravate this condition. Correct the smoking (see chimney and/or draft) before installing the Miracle Heat.
6. Do not plug into an electrical outlet that is not grounded or one that is operated by a wall-mounted on/off switch.
7. Do not interfere with the operation of the fan motor or blades.
8. Do not touch your Miracle Heat while it is in operation. It is hot and can burn you. Also, keep children, clothing, and combustible material away from the unit.
9. Do not use stove pipe of less than 24-gauge thickness or of aluminum or galvanized steel.

## II. DO's:

1. Clean your unit periodically, at least three times during the heating season.

**Step One:** Remove the Miracle Heat and clean off any ash or creosote from the pipes.

**Step Two:** Locate the motor that drives the fan, and apply two drops of 20-weight motor oil into each hole.

**Step Three:** Reassemble your pipes along with the Miracle heat. **CAUTION:** Under certain conditions of use, creosote may build up rapidly. When wood is burned slowly it produces tar and other organic vapors which combine with expelled moisture to form creosote. Creosote vapors condense on relatively cool parts of the chimney flue or Miracle Heat, and can accumulate to a dangerous level.

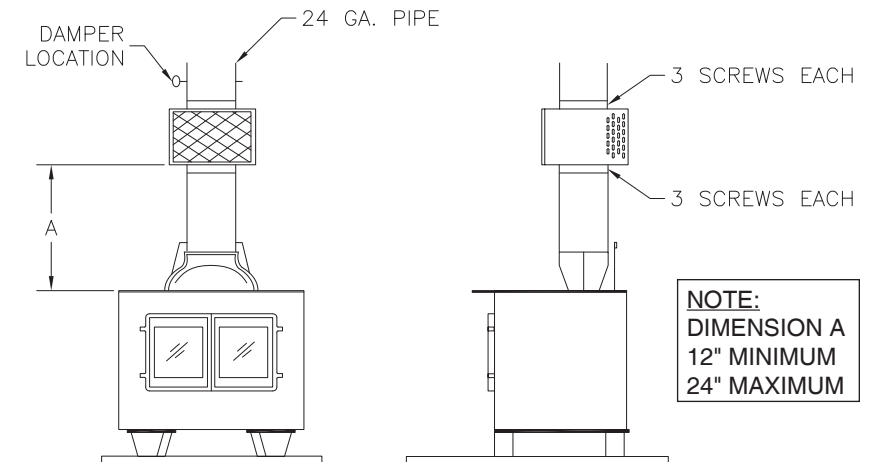
If ignited, this creosote makes for an extremely hot fire. Reduce your possibility of a chimney fire by properly cleaning your Miracle Heat and all connecting stove pipes or elbows.

2. Burn paper or cardboard at least three times a week to burn away the products of combustion. This is especially true of thermostatically operated wood and coal burning stoves.
3. Do use three sheet-metal screws to connect your Miracle Heat to the stove pipe above and below the unit. Do not use solder.
4. Keep electrical cord plugged in at all times except during servicing to prevent overheating and possible malfunction of components. Failure of any part of the heat reclaimer may expose the living space to hot flue gasses.
5. Keep the electrical cord at least 12" from contact with the flue pipe.

### III. INSTALLATION INSTRUCTIONS:

1. Do not reduce any minimum clearances which may be listed for your heater in the Owners Manual. Only chimneys of Type A all-fuel or masonry (and lined) may be used. Check your local or state building codes for proper and safe installation.
2. If you have determined your chimney to have an inadequate draft, overcome that deficiency before installing your Miracle Heat. Your chimney should be capable of developing at least .06" water column draft before installing a Miracle Heat. After installation, the chimney should develop at least .045" water column as measured below the Miracle Heat. All stove pipe above or below your Miracle Heat must be 24-Gauge or heavier to provide adequate support. Any horizontal run of pipe must pitch upward toward the chimney at least 1/4" per foot of horizontal run. All stove pipe and/or elbow joints must be secured by at least three sheet-metal screws.
3. Any elbow installed below your Miracle Heat should be of the non-adjustable type.
4. Install a hand damper (wood and coal stoves) **BELOW** your Miracle Heat.

5. Power cord must not contact any part of the woodburner or chimney connector. If the unit is installed horizontally, the power cord must exit the lower side of the unit.
6. Only use a heat reclaimer of equal or larger diameter as the flue outlet on the appliance.
7. The heat reclaimer should be mounted below barometric draft regulators and draft diverters.
8. All electrical supply-cord connections shall comply with the requirements of local authorities having jurisdiction.
9. Over-firing this unit is not recommended.
10. The Miracle Heat can be installed in your present flue pipe either horizontally or vertically or at any angle: and it may be installed with the crimp end either up or down, depending on your needs.
11. The Miracle Heat should be installed as close to the flue outlet as possible, but no further than 12" from the top or back, as shown below.



12. Again, do not install your Miracle Heat closer than 18" from any combustible material.

**IMPORTANT:** In case of a power failure (more than 15 minutes), your heater may be kept in use. However, do not overfire to the point the heat-exchange tubes become red hot, as such could damage the tubes, breaking their air seal.