

# BARREL STOVE KIT

This product is not to be used in the construction of a residential wood heater.

## WARNING

1. This unit must not be used in Mobile Homes.
2. The unit must be connected to a flue outlet.
3. Because of high temperatures in use, the unit should be located away from any combustible material and clear of human traffic.
4. This unit has high surface temperatures during use and people must keep away from the unit to avoid burns or ignition of clothing. Young children must be carefully supervised when within the vicinity of the heater and should never be left alone in that area.
5. Clothing or other flammable material must not be placed on or near the heater.
6. The heater area must be kept clear and free from any combustible materials, gasoline and other flammable liquids.

## SAFETY PRECAUTIONS

1. This stove must be properly installed, if not a fire may result. For your safety, contact your local fire officials about restrictions and installation requirements in your area.
2. Always wear the proper safety glasses when assembling this unit.
3. Creosote may build up in the chimney connector and chimney. This build-up could cause a fire. Inspect the chimney connector and chimney at least twice monthly during heating season and clean if necessary.
4. Do not overfire. Overfiring the appliance may cause a fire. If the unit or chimney connector glows, you are overfiring.
5. Never use gasoline or other flammable liquids to start or "Freshen Up" a fire.
6. Dispose of ashes in a metal container.

## MINIMUM BARREL SIZE

Recommended minimum size for these kits is a 30 Gallon Barrel.

## MINIMUM WALL CLEARANCES

The stove must be 36" from combustible walls at rear or sides.

### CAUTION:

**Make sure barrels are thoroughly clean before applying barrel stove kit. NEVER USE AN ACETYLENE TORCH due to explosive gases that may be trapped inside your barrel.**

U.S. Environmental Protection Agency - This unit is not a certified residential wood heater. For portable and temporary use only.

For questions or comments, please call (800) 750-2723

## ASSEMBLY INSTRUCTIONS FOR BARREL STOVE KIT

- Step 1: Stand barrel on end with plugs facing up. Position door on barrel to cover up small plug (see illustration #1). (The large plug may act as a secondary draft inlet when additional air is needed to assist combustion).
- Step 2: Using a scribe or marking pencil, trace the area where door and door frame is to be cut.
- Step 3: Cut opening with either a hacksaw or sabre saw and fit door frame to barrel using bolts provided with kit. (See illustration #2)
- Step 4: With door opening cut, you are now able to get at the inside of the barrel to attach legs. Center legs so barrel is stabilized and secure legs to barrel.
- Step 5: Align damper/flue collar toward rear of barrel and trace where opening for flue collar and attach flue to barrel.
- Step 6: Secure all bolts and attach 6" stove pipe.
- Step 7: Add sand to the bottom of the barrel at approximately 2" height.

## ASSEMBLY INSTRUCTIONS FOR BARREL STOVE KIT (For double stacked barrel kit)

- Step 1: Place the legs for the second barrel on top the first aligning the barrels front to rear and right to left. With the damper removed from barrel kit on bottom mark the location for the flu collar on the bottom of the second barrel also mark the location for the top flue on end of the second barrel.
- Step 2: Remove second barrel and cut out for both flue openings and install flue collars.
- Step 3: Place the second barrel back on the legs and align the flue opening between bottom barrel and top barrel cut the short piece of 6" black pipe which joins the two barrels together.
- Step 4: Now mark the holes to mount the legs to the bottom of the top barrel also mark the leg holes for the bottom of legs to the top of the bottom barrel.
- Step 5: Remove top barrel and legs, drill all holes mount the legs to the bottom of the top barrel align the flue install short piece of precut 6" black pipe and attach the bottom of the legs to the top for the bottom barrel.
- Step 6: Replace the flue damper in the top of the top barrel.

ILLUSTRATION #1

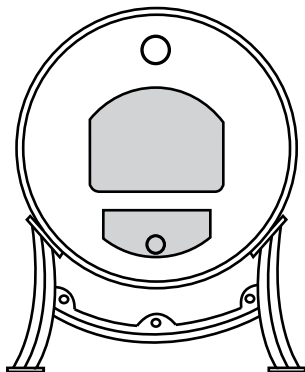


ILLUSTRATION #2

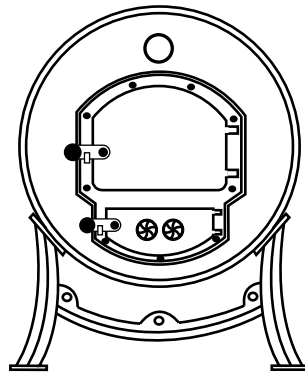


ILLUSTRATION #3

