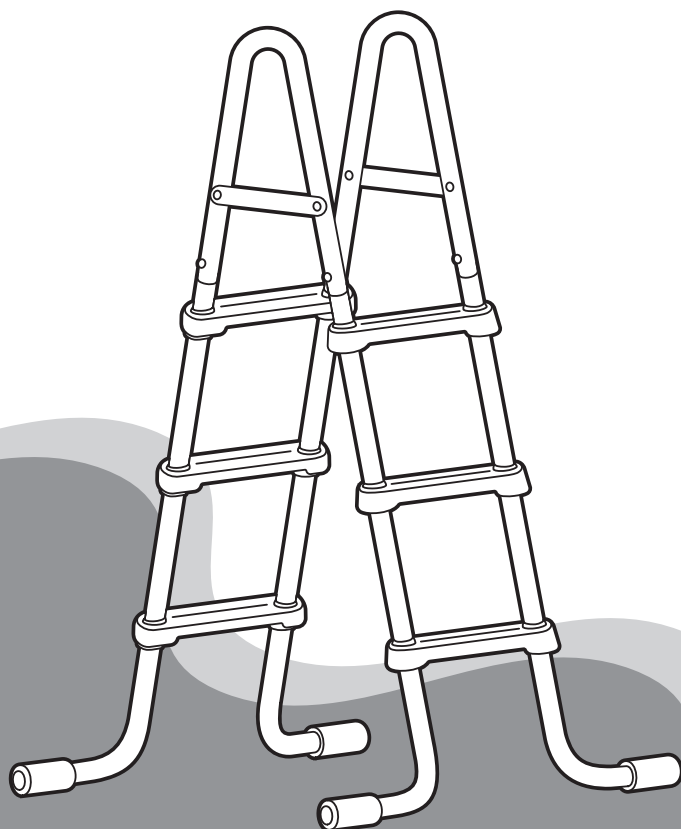


# FunSicle®

# SureStep Ladder



## User Guide



Sign up for future  
offers and discounts.  
Scan the QR Code.

# Contents

Welcome! .....	3
Warranty Information .....	3
Safety Guidelines .....	4
Pool Ladder Safety .....	8
Parts List .....	9
Setting Up the Pool Ladder .....	10

# Welcome!

---

Congratulations on your new Funsicle SureStep Ladder. This guide will walk you through everything from setting up to maintaining your pool ladder.

As always, we're here to help. For any issues, questions, or extra support, visit [support.funsicle.com](https://support.funsicle.com), or contact Customer Service at 888-670-4FUN (888-670-4386) or [HelloFun@Funsicle.com](mailto:HelloFun@Funsicle.com).

Learn more about us at [Funsicle.com](https://Funsicle.com)

## Warranty Information

---

This Funsicle SureStep Ladder is subject to the following warranty, with warranty service provided by Polygroup North America, Inc. (hereinafter "Polygroup").

### Limited Warranty

Polygroup is pleased to offer this warranty for the repair or replacement of Pool Ladders for one (1) year from the date of purchase (or date of delivery to the original purchaser, if later). The provisions of this Limited Warranty only apply to the original purchaser and who purchased from an authorized Polygroup seller. Please keep your original store sales receipt. This proof of purchase will be required and must accompany warranty claims to Polygroup or its designated agents. This Limited Warranty will not apply to modified or repaired products, unless authorized by Polygroup in writing; or to products in which non-Polygroup parts or accessories were substituted; or use of the product in contravention of the product's instructions; or when improper voltage was used; or if the product was abused, or harmed through accident or negligence. This Limited Warranty does not cover consequential damages, including, but not limited to, claims for loss of water, pool chemicals, or labor time or costs, normal wear-and-tear; nor to acts of God, nor to damage to any other products or property.

In no event shall Polygroup, its authorized agents, related entities, or employees be liable to the buyer or any other party for direct or consequential damages. This limitation, in part or in full, may not apply to you, if the jurisdiction in which the claim arose does not allow this limitation.

This Limited Warranty is not extended to close-outs, factory seconds, or resold products, such as garage sales or auctions, or purchases from non-authorized sellers of Polygroup products. This Warranty also does not apply to online vendors or any other sellers who did not purchase the products from a Polygroup company, whether the product has been used or not prior to being sold to you. Any issues with items purchased from these types of vendors/sellers will need to be addressed directly with them.

# Safety Guidelines




## IMPORTANT SAFETY INSTRUCTIONS

When installing and using this product, basic safety precautions should always be followed, including the following:

## READ AND FOLLOW ALL INSTRUCTIONS

**Keep this User Guide for future reference. Failure to follow these warnings and instructions can result in serious injury or death to users, especially children.**

### Warnings

<b>⚠ WARNING:</b>				
  <b>PREVENT DROWNING AND UNAUTHORIZED ACCESS</b> <ul style="list-style-type: none"><li>• Closely watch children who are in or near this pool.</li><li>• Children under 5 are at highest risk for drowning.</li><li>• Do not leave child unattended while in use.</li><li>• Use only under competent supervision.</li><li>• Remove ladders or empty pool when not in use.</li><li>• Install a pool fence around the pool.</li></ul>	 <b>NO DIVING!</b> <ul style="list-style-type: none"><li>• You can break your neck and be paralyzed.</li></ul>	 <b>AVOID FALLING</b> <ul style="list-style-type: none"><li>• Do not sit on or lay over pool wall.</li><li>• You can be permanently injured.</li></ul>	 <b>AVOID ENTRAPMENT!</b> <ul style="list-style-type: none"><li>• Stay away from drains &amp; suction fittings, your hair, body, &amp; jewelry can get sucked into drain. You could be held under water &amp; drown.</li><li>• Do not use pool if drain or suction outlet cover is missing or broken.</li></ul>	<ul style="list-style-type: none"><li>• State or local codes may require fencing and other safety measures (not included), such as a pool alarm. Consult local building code officials for requirements.</li><li>• Assemble and disassemble by adult only.</li><li>• Competent supervision and knowledge of the safety requirement is necessary to prevent drowning or permanent injury in use of this product.</li></ul>
Read and follow all safety information and assembly instructions in the User Guide.				

## IMPORTANT

- LADDER WEIGHT LIMIT IS 330 LBS (150 KG).
- LOOSE HARDWARE WILL RESULT IN LADDER FAILURE.
- The ladder will fall if the Machine Screws (E1), Lock Washers (E2), and Cap Nuts (E3) holding the handrails to the ladder legs are not properly installed.

## SAFETY CARE FOR CHILDREN

- Children, especially children younger than five years, are at high risk of drowning. Drowning occurs silently and quickly and can occur in as little as 2 in (5 cm) of water.
- Keep children in your direct sight, stay close, and actively supervise them when they are in or near this pool and when you are filling and emptying this pool.

## SWIMMING POOL AWARENESS

- **Assembled by adults only;** this pool may contain potentially hazardous sharp objects that are parts of the pool.
- If a drain or suction outlet cover is missing or broken, do not use the pool. Suction can cause body part entrapment, hair and jewelry entanglement, or drowning. Repair or replace the drain or suction outlet cover before using the pool again.
- When using the pool at night, artificial lighting should be used to illuminate all safety signs, ladders, steps, deck surfaces, and pathways.
- Keep your pool clean and clear. The floor of the pool shall be visible at all times from the outside perimeter of the pool.
- Call for emergency if needed.
- Basic lifesaving equipment, including one of the following should be on hand at all times:
  - A light, strong, rigid pole (shepherd's crook) not less than twelve feet (12') [3.66 m] long.
  - A minimum one-fourth inch ( $\frac{1}{4}$ " [6.35 mm] diameter rope as long as one and one half (1  $\frac{1}{2}$ ) times the maximum width of the pool or fifty feet (50') [15.24 m], whichever is less, which has been firmly attached to a Coast Guard-approved ring buoy having an outside diameter of approximately fifteen inches (15") [38.1 cm], or similarly approved flotation device.
- Never allow horseplay, diving, or jumping into or around the pool. This could lead to serious injury, paralysis or death. Do not allow anyone to swim alone without supervision.

## LADDER

- The ladder should be located on a solid base and is to be installed per the manufacturer's instructions.
- One person on the ladder at a time.
- THIS LADDER IS DESIGNED AND MANUFACTURED FOR A SPECIFIC, OR RANGE OF, POOL WALL HEIGHT(S) AND/OR POOL DECK HEIGHTS.
- When entering/exiting the pool, face the ladder at all times.
- To prevent entrapment or drowning do not swim through, behind, or around ladder.
- Remove and secure the ladder when pool is not occupied.

## RISK OF DROWNING

- Keep unsupervised children from accessing the pool by installing fencing or other approved barriers around all sides of pool. State or local laws or codes may require fencing or other approved barriers. Check state or local laws and codes before setting up the pool.
- Remove pool ladders after leaving the pool.
- Toys, chairs, tables, or similar objects that a young child could climb should be at least four feet (4') [121.92 cm] from the pool. The pump filter system should be positioned so as to prevent it from being used as a means of access to the pool by young children. Do not leave toys inside pool when finished using, since toys and similar items might attract a child to the pool.
- Position furniture (for example, tables, chairs) away from pool, so that children cannot climb on it to gain access to the pool. After using pool, remove water to a level of  $\frac{1}{2}$  in (1 cm) or less.

## DIVING RISK

- Above-ground/on-ground residential swimming pools are for swimming and wading only. No diving boards, slides, or other equipment are to be added to an above-ground/on-ground pool.
- Do not dive into this pool. Diving into shallow water can result in a broken neck, paralysis, or death.

## SPECIAL WARNING

- Local building codes may require obtaining a building or electrical permit. Installer shall follow regulations on setback, barriers, devices and other conditions.
- Safety signs shall comply with requirements of ANSI-Z535 and use signal wording.
- DO NOT attempt to assemble this pool in adverse weather conditions, windy conditions or when the temperature is below 60°F.

## EXTRA SAFETY WARNING

- Adult supervision is always required.
- Do not install on a deck or other surface at, above, or slightly below the top rail of the pool.
- Do not allow roughhousing and horseplay.
- Install a pool ladder(s) or a staircase for entry and exit from the pool.
- Instruct pool users about the proper use of all pool ladder(s) and staircases.
- Face ladder going up or down.
- Check all nuts and bolts regularly to ensure that the ladder stays sturdy.
- Contact pool site dealer or manufacturer for additional safety signs if deemed necessary.
- For pool service, choose a certified pool professional. For more safety information, see APSP.org

## CONSUMER AWARENESS BOOKLETS AND INFORMATION SOURCE

**Contact:** U.S. Consumer Product Safety Commission at [cpsc.gov/safety-education/pools-and-spas](http://cpsc.gov/safety-education/pools-and-spas), Pub. #362 "Safety Barrier Guidelines for Home Pools."

- The Sensible Way to Enjoy Your Above-ground/On-ground Swimming Pool.
- Children Aren't Waterproof.
- Layers of Protection.
- Pool and Spa Emergency Procedures for Infants and Children.
- Be Safety Aware Copies of the above brochures are available free from the APSP. Go to: [APSP.org](http://APSP.org)

## SAFETY EDUCATION PROGRAMS AND MATERIALS

Educational programs and materials (i.e. seminars, workshops, brochures, videos, instructional guides) are available from the APSP, other aquatic safety groups, and by private firms. As a means of communicating useful safety information to pool owners/operators and users, industry members are permitted to provide such information to owners/operators and to request or require owners/operators to sign a statement that they have received, read, and will follow the guidelines.

### Other sources of safety information:

- [cdc.gov](http://cdc.gov)
- [cpsc.gov](http://cpsc.gov)
- [drowningpreventionalliance.com](http://drowningpreventionalliance.com)
- [nspf.org](http://nspf.org)
- [safekids.org](http://safekids.org)

#### **NSF International**

P.O. Box 130140  
789 N. Dixboro Road  
Ann Arbor MI 481105  
Contact: 800-673-6275 or 734-769-8010  
[nsf.org](http://nsf.org)

#### **ANSI American National Standards Institute**

25 West 43rd Street, New York NY 10036  
Contact: 212-642-4900  
[ansi.org](http://ansi.org)

#### **ASTM International (formerly American Society of Testing & Materials)**

100 Barr Harbor Drive, P.O. Box C700 West  
Conshohocken, PA 19428-2959  
Contact: 877-909-2786 (USA & Canada)  
or 610-832-9585 (International)  
[astm.org](http://astm.org)

#### **APSP Association of Pool & Spa Professionals**

(Formerly National Spa and Pool Institute)  
2111 Eisenhower Avenue, Ste. 500  
Alexandria VA 22314-4679  
Contact: 703-838-0083  
[apsp.org](http://apsp.org)

#### **NEC National Electrical Code (see NFPA)**

NFPA National Fire Protection Association  
1 Batterymarch Park, Quincy MA 02169-7471  
Contact: 800-344-3555 (U.S. & Canada) or  
617-770-3000 (International)  
[nfpa.org](http://nfpa.org)

#### **NSPI National Spa and Pool Institute (see APSP)**

UL Underwriters Laboratories  
333 Pfingsten Road, Northbrook IL 60062-2096  
Contact: 877-854-3577 or 847-272-8800  
[ul.com](http://ul.com)

#### **ASME American Society of Mechanical Engineers**

Two Park Avenue, New York NY 10016-5990  
Contact: 800-843-2763 (USA & Canada) or  
973-882-1170 (Outside N. America)  
[asme.org](http://asme.org)

## RISK OF DROWNING, ENTRAPMENT, AND DIVING ACCIDENTS

Publications are available that describe the risk of drowning, entrapment, and diving accidents. Available publications related to pool safety include the Association of Pool and Spa Professionals' (APSP) booklets entitled: The Sensible Way to Enjoy Your Above-ground/On-ground Swimming Pool, Children Aren't Waterproof, Pool and Spa Emergency Procedures for Infants and Children, Layers of Protection, and the latest published edition of ANSI/APSP-8 Model Barrier Code for Residential Swimming Pools, Spas, and Hot Tubs.

## INSTALLER RESPONSIBILITIES

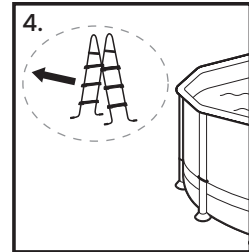
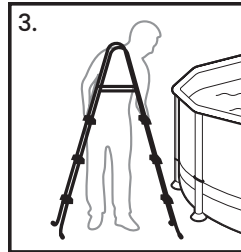
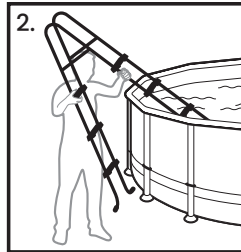
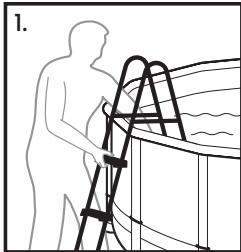
All of these components shall be positioned so as to prevent their being used as a means of access to the pool by young children. (See Barrier Code for Residential Swimming Pools, Spas, and Hot Tubs.)

## SAVE THESE INSTRUCTIONS



# WARNING


**Always Remove and Securely Store the Ladder When the Pool Is Not In Use**



Easy Steps To Remove the Pool Ladder:

1. Standing at the side of the ladder, grip at or near the top steps with both hands.
2. Tilt the ladder towards you. Once the ladder legs are above the pool wall, drag or lift the ladder out of the water.
3. Place the ladder on the ground.
4. Securely store the ladder away from the pool to prevent children using it to access the pool without supervision.

# Parts List

Key		Description	36" (91 cm)	42" (107 cm)	48" (122 cm)	52" (132 cm)
<b>A</b>		Ladder Leg	4	4	4	4
<b>B</b>		Ladder Handrail	2	2	2	2
<b>C</b>		Ladder Tread	6	6	8	8
<b>D</b>		Ladder Tread Clip	12	12	16	16
<b>E</b>		Machine Screw	4	4	4	4
		Lock Washer				
		Cap Nut				

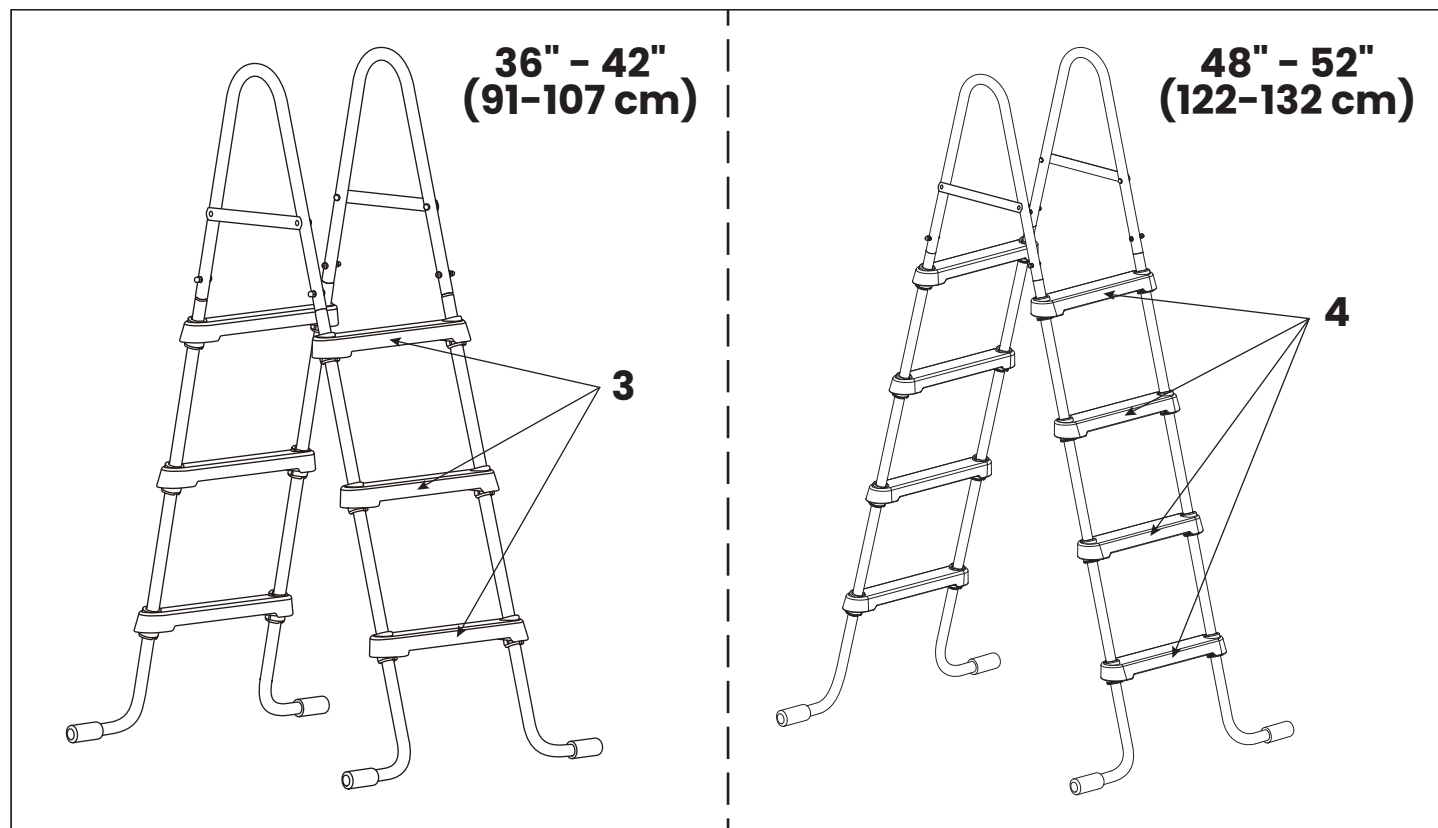
# Setting Up the Pool Ladder

- This ladder is designed and manufactured for the specific pool wall height.
- Remove and secure the ladder when the pool is not in use.
- **Tools Required (not included):**

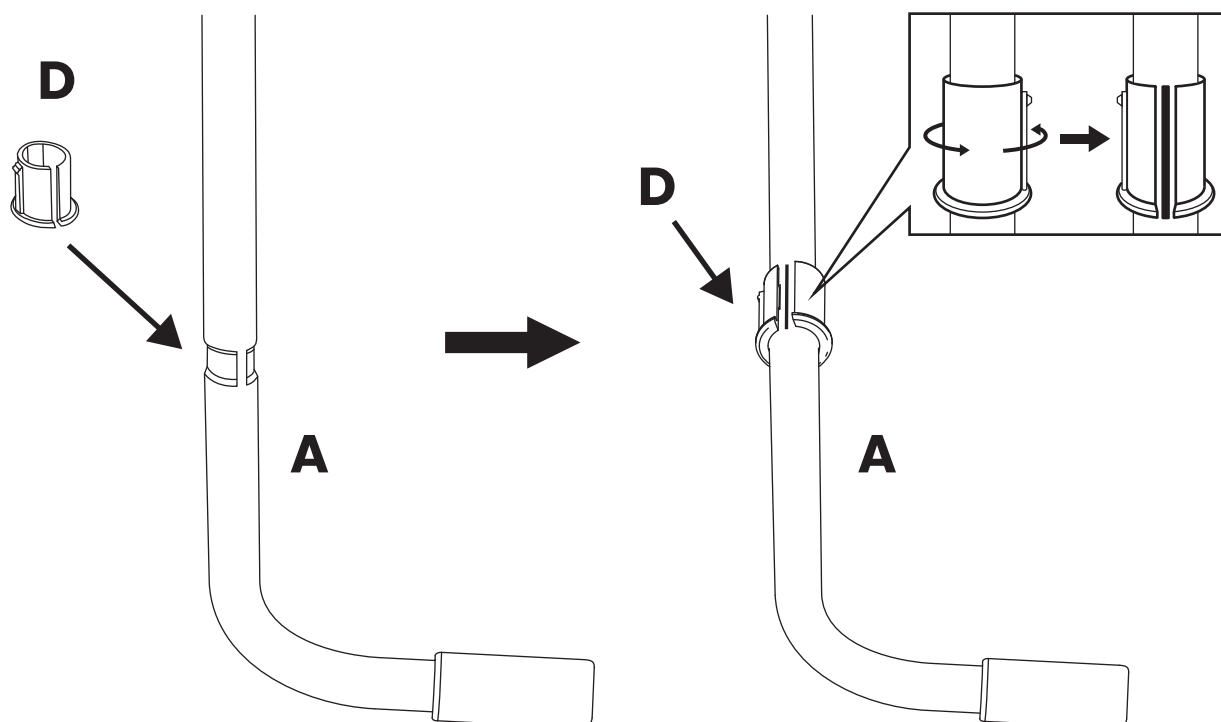
Phillips-head  
screwdriver



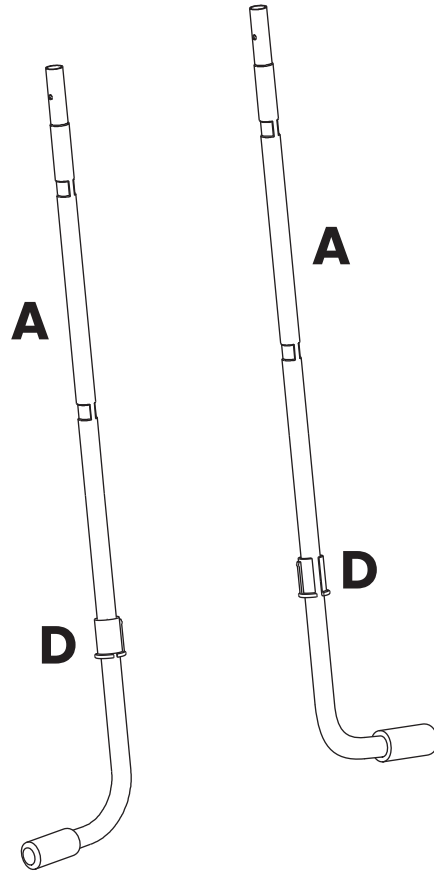
Small adjustable  
wrench



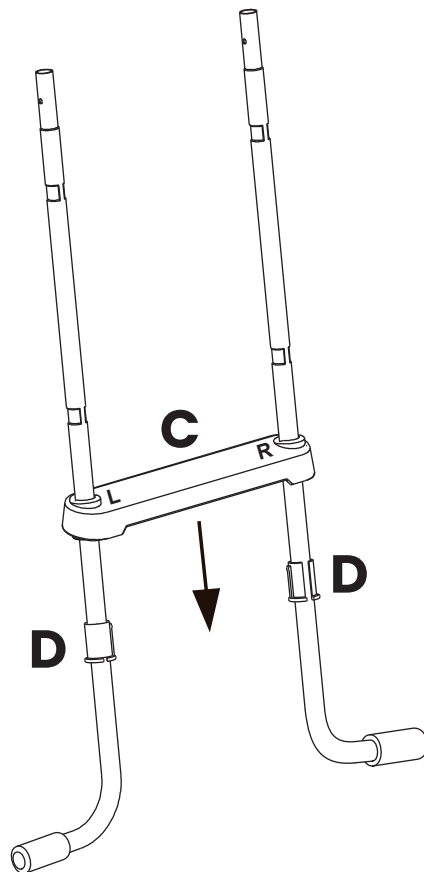
**1.**



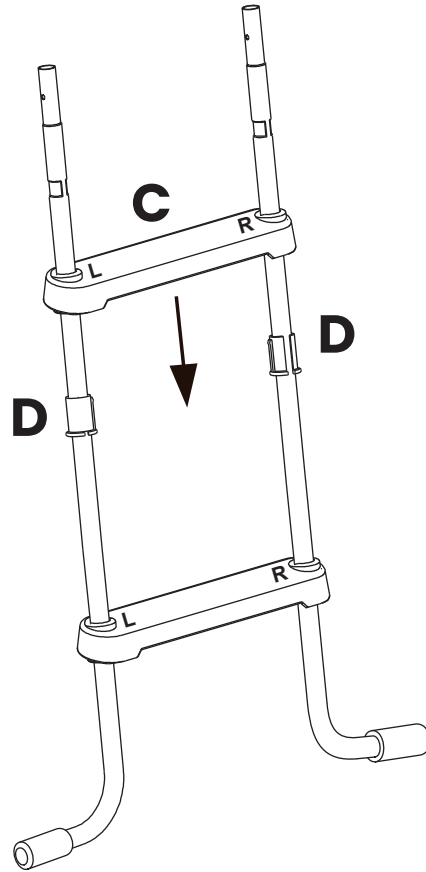
2.



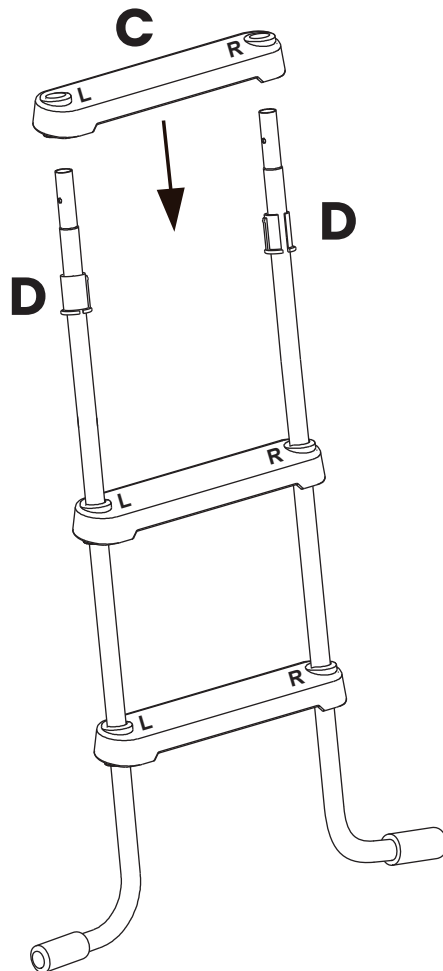
3.



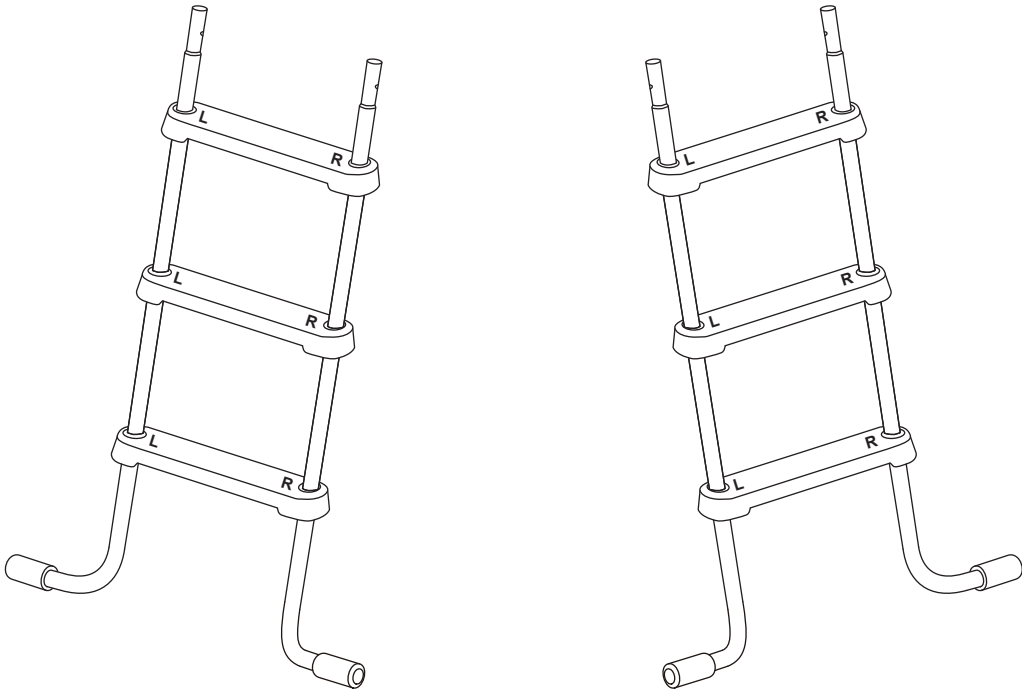
4.



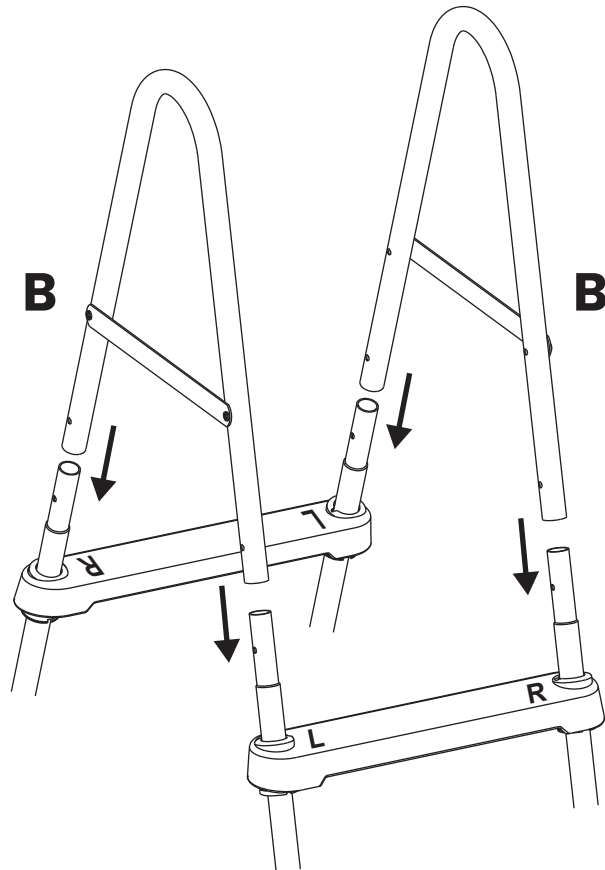
5.



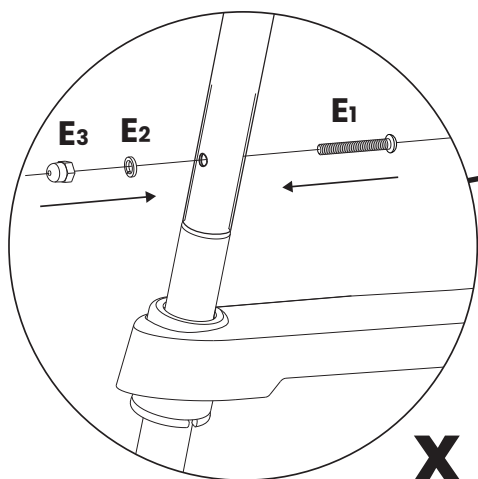
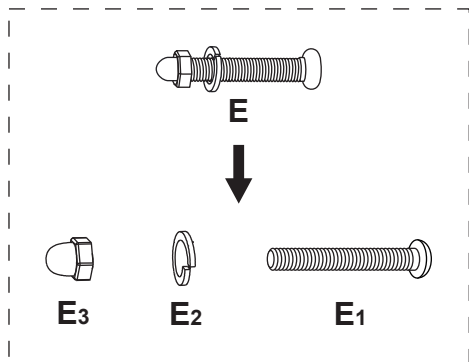
6.



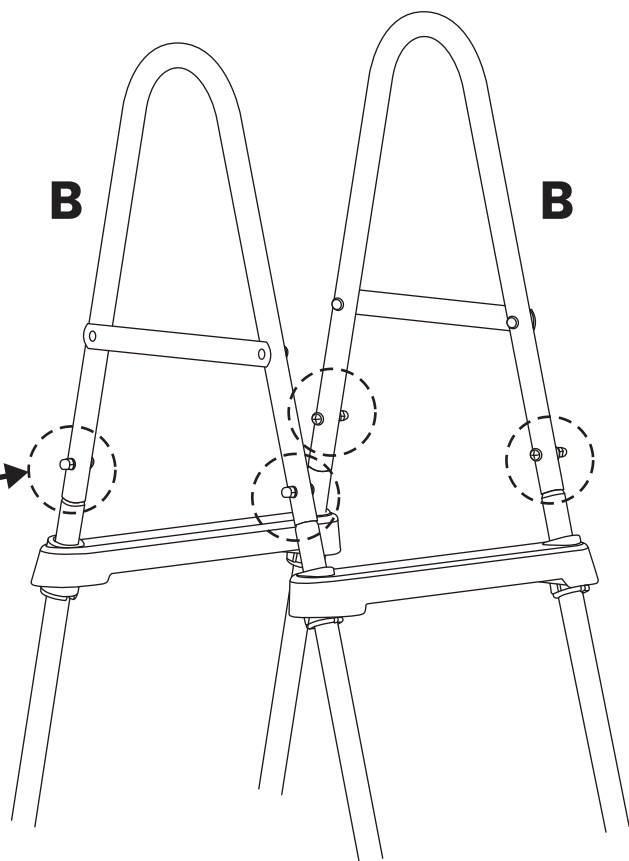
7.



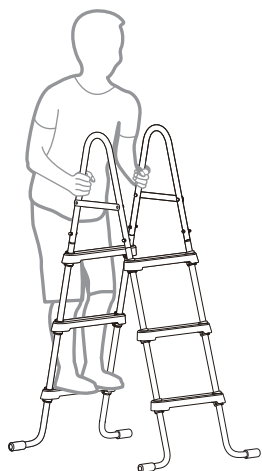
8.



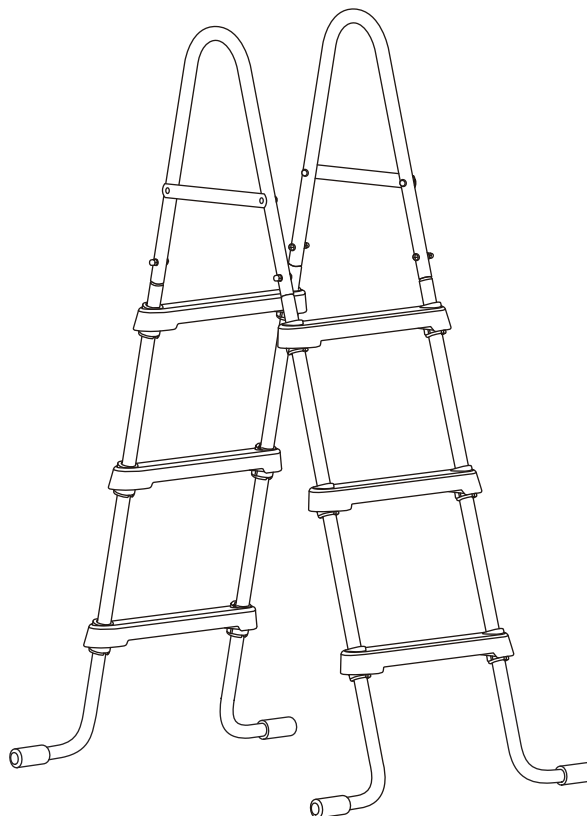
**x 4**



9.



**IMPORTANT:**  
Put your full weight on each ladder step to test and ensure sturdiness.



[This page is intentionally left blank.]

## Dear Funtastic Customer,

Thank YOU for choosing one of our Funsicle products. We're on a mission to inspire the world to play more outdoors, which is why we design products that capture the summertime spirit of imagination, connection and fun.

It's important to us that you have the BEST experience with this product, and we're excited for you to make some happy outdoor memories.

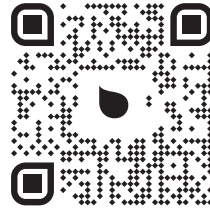
Need a helping hand? Use the contact info on this page to reach us.

Once again, we thank you for placing your trust in us. Happy swimming and playing!

- Your friends, the Funsicle Team

## CONTACT US

We're here to help! For answers to common questions, setup videos and troubleshooting tips, visit [support.funsicle.com](https://support.funsicle.com) or scan the QR code.



### DO NOT RETURN PRODUCT TO STORE.

If you encounter any issues with your Funsicle product, do not return it to the place of purchase.

Contact CUSTOMER SERVICE:

**Phone: 888-670-4FUN (888-670-4386)**

**Email: [HelloFun@Funsicle.com](mailto:HelloFun@Funsicle.com)**

### WARRANTY

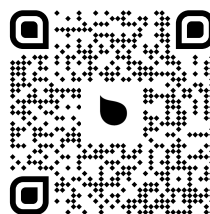
For warranty information, visit [funsicle.com/warranty](https://funsicle.com/warranty).

### NEED PARTS?

To order parts and accessories, visit [funsicle.com](https://funsicle.com).

### REGISTER YOUR PRODUCT

Scan the QR code

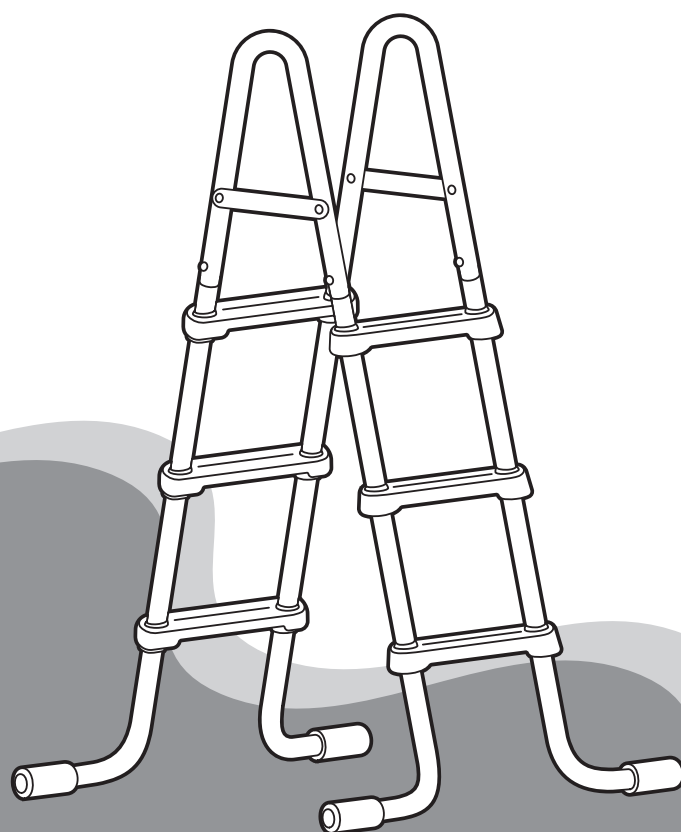


# Funsicle®

Polygroup North America, Inc.  
303 SW 16th Street, Suite 1,  
Bentonville, AR 72712, USA

# FunSicle®

## Escalera SureStep



## Manual del Usuario



Regístrese para  
obtener futuras  
ofertas y descuentos.  
Escanee el código QR.

# Tabla de Contenidos

- Bienvenido! ..... 3
- Información Sobre La Garantía ..... 3
- Normas De Seguridad ..... 4
- Seguridad de la Escalera de la Piscina ..... 8
- Lista De Piezas ..... 9
- Montar La Escalera De La Piscina ..... 10

# Bienvenido!

---

Lo felicitamos por la adquisición de nueva Escalera Funsicle SureStep. Esta guía lo conducirá a través de todos los pasos a seguir, desde la instalación hasta el mantenimiento de la escalera de su piscina.

Como siempre, estamos aquí para ayudarle. Si tiene alguna pregunta o duda, o si necesita más asistencia, visite [support.funsicle.com](http://support.funsicle.com) o póngase en contacto con el Servicio de Atención al Cliente llamando al 888-670-4FUN (888-670-4386) o escribiendo a [HelloFun@Funsicle.com](mailto:HelloFun@Funsicle.com).

Para obtener mayor información sobre nosotros consulte [Funsicle.com](http://Funsicle.com)

## Información Sobre La Garantía

---

Esta Escalera Funsicle SureStep está sujeta a la siguiente garantía, con servicio proporcionado por Polygroup North America, Inc. (en adelante "Polygroup").

### Garantía Limitada

Polygroup se complace en ofrecer una garantía de un (1) año para la reparación o reemplazo de la Escaleras de la Piscina, a partir de la fecha de compra o la fecha de entrega al comprador original, si esta última es posterior. Las condiciones de esta Garantía Limitada sólo tienen validez para el comprador original y para quien haya comprado a un vendedor autorizado de Polygroup. Por favor guarde su recibo de compra original del negocio donde compró, prueba requerida y que deberá acompañarse en caso de cualquier reclamo en base a la garantía ante Polygroup o los agentes que éste designe. Esta Garantía Limitada no se aplicará a productos modificados o reparados, a menos que Polygroup lo haya autorizado por escrito, o a productos en los que se hayan sustituido piezas o accesorios no originales de Polygroup, o si el producto se utiliza contraviniendo las instrucciones de su uso, o si se ha utilizado un voltaje inadecuado, o si se ha hecho uso indebido del producto, o si se lo ha dañado por accidente o negligencia. Esta Garantía Limitada no cubre daños subsiguientes, incluyendo, sin por ello limitando, reclamos por pérdidas de agua, de productos químicos de la piscina, de tiempo o de costes de mano de obra, por desgaste normal, por fuerza mayor, o por daños a cualquier otro producto o propiedad.

En ningún caso Polygroup, sus agentes autorizados, entidades relacionadas o empleados serán responsables ante el comprador o ante terceros por daños directos o subsiguientes. Esta limitación no se aplicará en su caso, si la jurisdicción en la que el reclamo tuvo lugar no permite dicha limitación.

Esta Garantía Limitada no se extiende a productos de segunda mano o revendidos, como ventas de garaje o subastas, o compras a vendedores no autorizados de productos Polygroup. Esta garantía tampoco se aplica a los vendedores en línea o cualquier otro vendedor que no compró los productos de una empresa Polygroup, sin importar si el producto ha sido utilizado o no antes de ser vendido a usted. Cualquier problema con los artículos comprados a este tipo de vendedores deberá tratarse directamente con ellos.

# Normas De Seguridad

## INSTRUCCIONES IMPORTANTES DE SEGURIDAD

Al instalar y usar este producto, deben seguirse siempre ciertas instrucciones básicas de seguridad, incluidas las siguientes:

### LEA Y SIGA TODAS LAS INSTRUCCIONES

**Conserve este Manual del usuario para que pueda consultarlo en el futuro. El incumplimiento de estas advertencias e instrucciones puede provocar lesiones graves o la muerte de los usuarios, especialmente los niños.**

#### Advertencias

### ⚠ ADVERTENCIA :



#### EVITE AHOGAMIENTOS Y EL ACCESO NO AUTORIZADO

- Vigile de cerca a los niños que estén en esta piscina o en las inmediaciones de esta.
- Los niños menores de cinco años corren mayor riesgo de ahogarse.
- No deje a los niños sin vigilar cuando hagan uso de la piscina.
- Utilícela exclusivamente bajo una supervisión adecuada.
- Retire las escaleras o vacíe la piscina cuando no se utilice.
- Instale una valla alrededor de la piscina.



#### ¡PROHIBIDO ZAMBULLIRSE!

- Podría sufrir riesgo de fractura y parálisis.



#### EVITE CAÍDAS

- No se siente o se recargue sobre la pared de la piscina.
- Agua poco profunda - Puede sufrir lesiones permanentes.



#### ¡EVITE QUEDAR ATRAPADO!

- Aléjese de desagües y empalmes de succión; su cabello, cuerpo y joyas pueden quedarse atrapados en un desagüe. La fuerza de succión puede atraparlo debajo del agua y quedar ahogado.
- No utilice la piscina si la boquilla de desagüe o de succión no está en su lugar o si no funciona correctamente.

- La normativa estatal o local podría exigir la instalación de vallas o la adopción de otras medidas de seguridad (no se incluyen con el producto); por ejemplo, una alarma de piscina. Consulte a funcionarios encargados del cumplimiento del reglamento de construcción para obtener más información sobre los requisitos.
- Montaje y desmontaje solo por adultos.
- La vigilancia responsable y el conocimiento de los requisitos de seguridad es necesario para evitar ahogamientos o lesiones permanentes en el uso de este producto.

Lea y siga toda la información de seguridad y las instrucciones de montaje de la Guía de usuario.

### IMPORTANTE

- EL PESO LÍMITE DE LA ESCALERA ES DE 150 KG (330 LIBRAS).
- UNA ESTRUCTURA SUELTA PROVOCARÁ FALLOS EN LA ESCALERA.
- La escalera fallará si los tornillos para metale (E1), arandela de cierre (E2), y las tuerca de (E3) que sujetan los pasamanos a las patas no están correctamente instalados.

### PRECAUCIONES DE SEGURIDAD PARA LOS NIÑOS

- Los niños, especialmente los menores de 5 años, tienen un alto riesgo de ahogarse. Los ahogamientos suceden de manera silenciosa y rápida, pudiendo suceder en tan poco como 5 cm de agua.
- Mantenga a los niños dentro de su campo de visión, permanezca cerca y vigílelos activamente cuando estén cerca o dentro de la piscina y cuando esté llenando y vaciando la piscina.

## CONOCIMIENTO DE LA PISCINA

- Solo los adultos pueden armar la piscina ya que puede contener piezas filosas que podrían ser potencialmente peligrosas.
- No utilice la piscina si falta algún drenaje o cubierta de salida de succión o si están dañados. La succión puede provocar que partes del cuerpo queden atrapadas, que se enreden el cabello o alguna alhaja, o el ahogamiento. Repare o reemplace el drenaje o la cubierta de salida de succión antes de usar la piscina nuevamente.
- Cuando use la piscina de noche, se debe usar iluminación artificial para que todas las señales de seguridad, escaleras, escalones, plataformas de madera y senderos queden iluminados.
- Mantenga la piscina limpia. El fondo de la piscina debe ser visible en todo momento desde el perímetro exterior de la piscina.
- Llame al servicio de emergencias si es necesario.
- Tenga siempre a mano un equipo básico de salvamento, que incluya uno de los siguientes:
  - Una vara rígida, resistente y ligera (un cayado) con una longitud no inferior a 3.66 m.
  - Una cuerda de al menos 6,35 mm de diámetro con una longitud igual a la mitad de la anchura máxima de la piscina o 15,24 m, la que sea inferior, que esté firmemente sujeta a un flotador de salvamento aprobado con un diámetro exterior de aproximadamente 38,1 cm, o un dispositivo de flotación aprobado similar.
- No permita juegos bruscos, inmersiones ni saltos dentro o alrededor de la piscina. Esto puede provocar lesiones graves, parálisis o la muerte. **NO PERMITA** que nadie nade solo, sin supervisión.

## ESCALERA

- Debe colocar la escalera sobre una base sólida y debe instalarla según las instrucciones del fabricante.
- No debe haber más de una persona sobre la escalera simultáneamente.
- **ESTA ESCALERA HA SIDO DISEÑADA Y FABRICADA PARA UNA ALTURA ESPECÍFICA, O PARA UN RANGO DE ALTURAS, DE LA PARED DE LA PISCINA Y/O DE LA PLATAFORMA DE LA PISCINA.**
- Para entrar/salir de la piscina, hágalo siempre de cara a la escalera.
- Para evitar que alguien quede atrapado o se ahogue, no nade por, debajo o alrededor de la escalera.
- Retire y sujete la escalera cuando la piscina esté vacía.

## RIESGO DE AHOGAMIENTO

- Evite que los niños accedan a la piscina sin vigilancia instalando una valla u otra barrera aprobada alrededor de la piscina. Las leyes los códigos estatales o locales pueden exigir una valla u otras barreras aprobadas. Consulte las normas los códigos estatales y locales antes de instalar la piscina.
- Retire las escaleras de la piscina antes de dejar la piscina.
- Los juguetes, sillas, mesas y objetos similares a los que un niño podría subirse deben tener una altura mínima de 1,2 m respecto a la piscina. El sistema del filtro de la bomba debe colocarse de manera que no pueda ser usado por los niños pequeños como medio de acceso a la piscina. No deje juguetes dentro de la piscina al terminar de usarla, ya que los juguetes y objetos similares podrían atraer a los niños a la piscina.
- Coloque los muebles (por ejemplo, mesas o sillas) lejos de la piscina para que los niños no puedan subirse a ellos para acceder a la piscina. Después de usar la piscina, deje el nivel de agua en 1 cm o menos.

## RIESGO DE LAS INMERSIONES

- Las piscinas domésticas sobre suelo son solo para nada y caminar. No se deben agregar trampolines, toboganes u otros equipos a las piscinas sobre el nivel del suelo o por encima de este.
- No se sumerja en esta piscina. Sumergirse en aguas poco profundas puede resultar en una rotura de cuello, parálisis o, incluso, la muerte.

## ADVERTENCIA ESPECIAL

- Los códigos de construcción locales pueden exigir la obtención de un permiso de construcción o instalación eléctrica. El instalador debe seguir las normativas sobre escollos, barreras, dispositivos y otros requisitos.
- Las señales de seguridad deben cumplir los requisitos de la ANSI-Z535 y usar señalización de advertencia.
- NO intente montar la piscina en condiciones climatológicas adversas, en caso de viento o cuando la temperatura sea inferior a 15,5 °C.

## ADVERTENCIA DE SEGURIDAD ADICIONAL

- Siempre es necesaria la supervisión de un adulto.
- No instalar sobre una plataforma u otra superficie en, sobre o ligeramente por debajo del riel superior de la piscina.
- No permita los juegos bruscos.
- Instale una escalera de piscina para entrar y salir de la piscina.
- Instruya a los usuarios de la piscina sobre el uso adecuado de las escaleras de piscina.
- Suba y baje de cara a la piscina.
- Compruebe todas las tuercas y pernos regularmente para asegurarse de que la escalera se mantiene sólida.
- Póngase en contacto con el distribuidor o fabricante de la piscina para obtener más señales de seguridad si lo considera necesario.
- Acuda a un técnico de piscinas profesional para el servicio de mantenimiento de la piscina. Para más información de seguridad, consulte APSP.org.

## FOLLETO DE SENSIBILIZACIÓN DEL CONSUMIDOR Y FUENTE DE INFORMACIÓN

**Contacto:** Comisión de Seguridad de Productos del Consumidor de EE. UU. En [cpsc.gov/pools-and-spas](http://cpsc.gov/pools-and-spas), Pub. # 362 "Pautas de barrera de seguridad para piscinas en el hogar".

- La manera sensata de disfrutar de su piscina sobre suelo.
- Los niños no son a prueba de agua.
- Capas de protección.
- Procedimientos de emergencia en piscinas y spas para bebés y niños.
- Existen copias gratuitas de los folletos anteriores sobre seguridad del APSP. Vaya a: APSP.org.

## EXISTEN PROGRAMAS EDUCATIVOS Y MATERIALES

Sobre los programas educativos (es decir, seminarios, talleres, folletos, vídeos, guías) del APSP, otros grupos de seguridad acuática y empresas privadas. Con el objetivo de comunicar información de seguridad útil a los dueños/operadores y usuarios de piscinas, está permitido que los miembros de la industria suministren esta información a los dueños/operadores y que soliciten o exijan a los dueños/operadores una declaración firmada de que han recibido, leído y seguirán las instrucciones.

### Otras fuentes de información de seguridad:

- cdc.gov
- cpsc.gov
- drowningpreventionalliance.com
- nspf.org
- safekids.org

#### **NSF International**

CORREOS. Box 130140  
789 N. Dixboro Road  
Ann Arbor MI 481105  
Contacto: 800-673-6275 o 734-769-8010  
nsf.org

#### **Instituto Nacional de Normas Americanas ANSI**

25 West 43rd Street, Nueva York NY 10036  
Contacto: 212-642-4900  
ansi.org

#### **ASTM International (anteriormente Sociedad Americana de Pruebas y Materiales)**

100 Barr Harbour Drive, P.O. Box C700 West  
Conshohocken, PA 19428-2959  
Contacto: 877-909-2786 (EE. UU. Y CANADÁ)  
o 610-832-9585 (Internacional)  
astm.org

#### **Asociación de profesionales de piscinas y spas de APSP**

(anteriormente National Spa and Pool Institute)  
2111 Eisenhower Avenue, Ste. 500  
Alexandria VA 22314-4679  
Contacto: 703-838-0083  
apsp.org

#### **Código Eléctrico Nacional de NEC (ver NFPA)**

Asociación Nacional de Protección contra Incendios de la NFPA  
1 Parque Batterymarch, Quincy MA 02169-7471  
Contacto: 800-344-3555 (EE. UU. Y CANADÁ) o  
617-770-3000 (internacional)  
nfpa.org

#### **NSPI National Spa and Pool Institute (ver APSP)**

Laboratorios UL Underwriters  
333 Pflingsten Road, Northbrook IL 60062-2096  
Contacto: 877-854-3577 o 847-272-8800  
ul.com

#### **ASME Sociedad Americana de Ingenieros Mecánicos**

Two Park Avenue, Nueva York NY 10016-5990  
Contacto: 800-843-2763 (EE. UU. Y CANADÁ) o  
973-882-1170 (fuera de Norteamérica)  
asme.org

## RIESGO DE ACCIDENTES DE AHOGAMIENTO, ATRAPAMIENTO Y BUCEO

Hay publicaciones disponibles que describen el riesgo de accidentes de ahogamiento, atrapamiento y buceo. Las publicaciones relacionadas con la seguridad de la piscina disponibles incluyen folletos de la Asociación de profesionales de piscina y spa (APSP) titulados: The Sensible Way to Enjoy Your Above-ground/On-ground Swimming Pool [La forma sensata de disfrutar de su piscina desmontable y fija], Children Aren't Waterproof [Los niños no son a prueba de agua], Pool and Spa Emergency Procedures for Infants and Children [Procedimientos de emergencia en piscinas y spas para bebés y niños], Layers of Protection [Capas de protección], y la última edición publicada del Código sobre dispositivos de seguridad ANSI/APSP-8 para piscinas, spas y bañeras de hidromasaje de uso residencial.

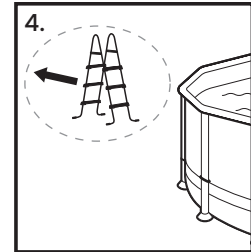
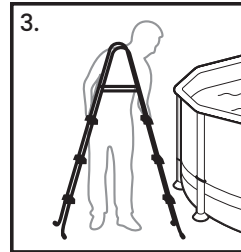
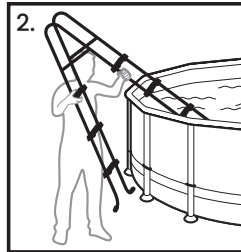
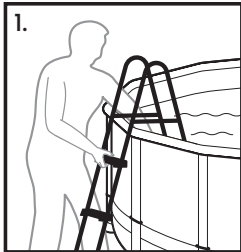
## RESPONSABILIDADES DEL INSTALADOR

La instalación de todos estos componentes debe realizarse de manera que los niños no lo puedan usar como medio de acceso a la piscina. (Véase el Código de Carrier sobre piscinas, spas y bañeras de hidromasaje residenciales).

## GUARDA ESTAS INSTRUCCIONES

# ! ADVERTENCIA





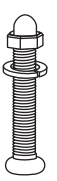



**Retire siempre la escalera y guárdela de forma segura cuando la piscina no esté en uso.**



Pasos Fáciles Para Quitar la Escalera de la Piscina:

1. De pie a un lado de la escalera, agárrese a los peldaños superiores o cerca de ellos con ambas manos.
2. Incline la escalera hacia usted. Si las patas de la escalera están encima de la pared de la piscina, saque la escalera del agua arrastrándola o levantándola.
3. Coloque la escalera en el suelo.
4. Guarde la escalera de forma segura lejos de la piscina para evitar que los niños la utilicen para acceder a la piscina sin supervisión.

# Lista De Piezas

Clave	Descripción	36" (91 cm)	42" (107 cm)	48" (122 cm)	52" (132 cm)
<b>A</b> 	Patatas de la escalera	4	4	4	4
<b>B</b> 	Mango de la escalera	2	2	2	2
<b>C</b> 	Escalón de la escalera	6	6	8	8
<b>D</b> 	Clip del escalón de la escalera	12	12	16	16
<b>E</b> 	<b>E1</b> 	Tornillo	4	4	4
	<b>E2</b> 	Arandela de cierre			
	<b>E3</b> 	Tuerca			

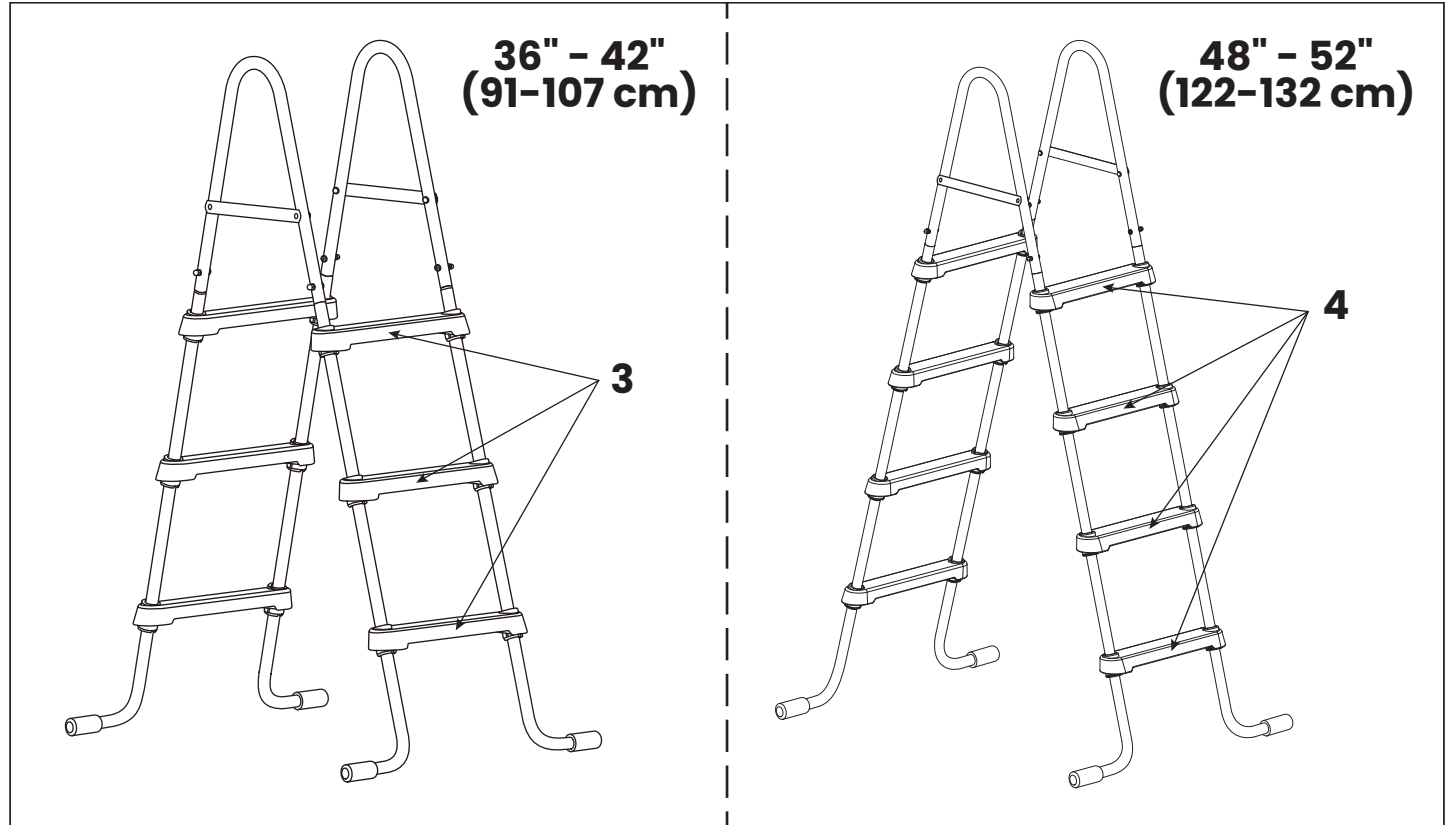
# Montar La Escalera De La Piscina

- Esta escalera está diseñada y fabricada para la altura específica de la pared de piscina.
- Retire y sujete la escalera cuando la piscina no se esté utilizando.
- **Herramientas requeridas (no incluido):**

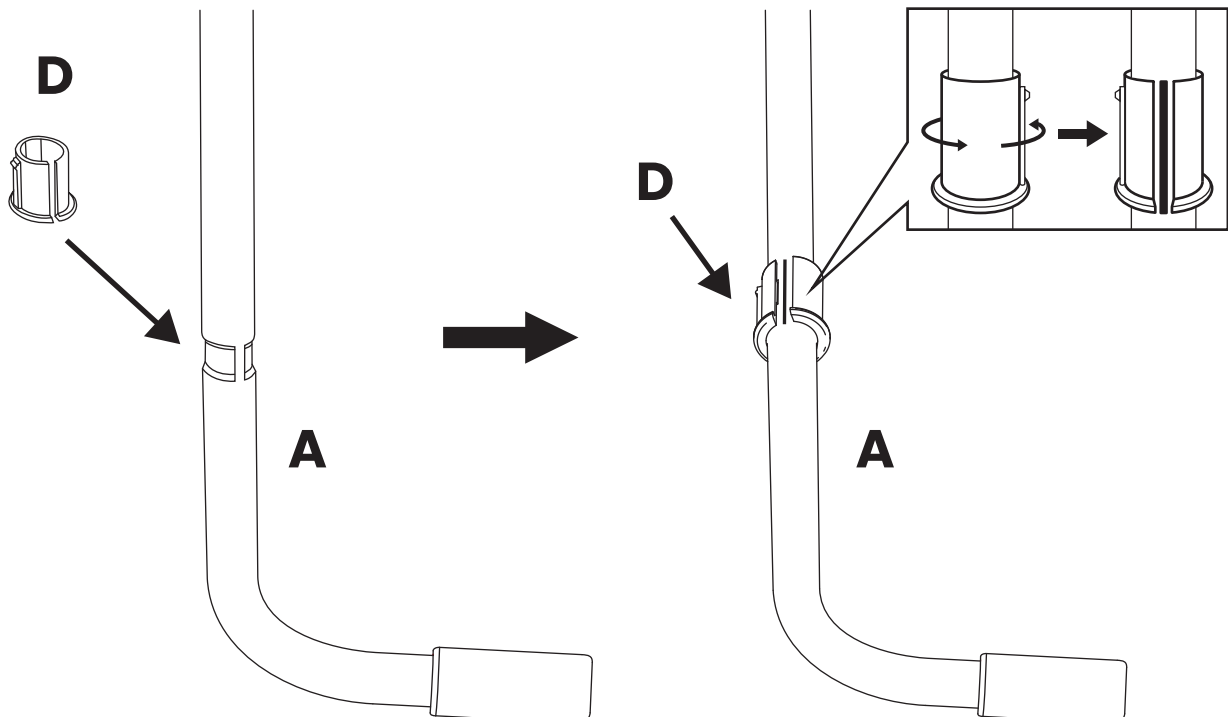
Destornillador  
de estrella



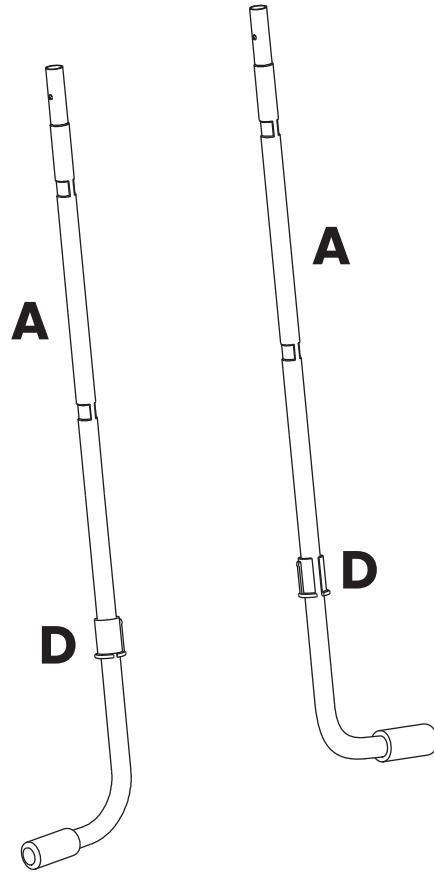
Llave inglesa  
pequeña



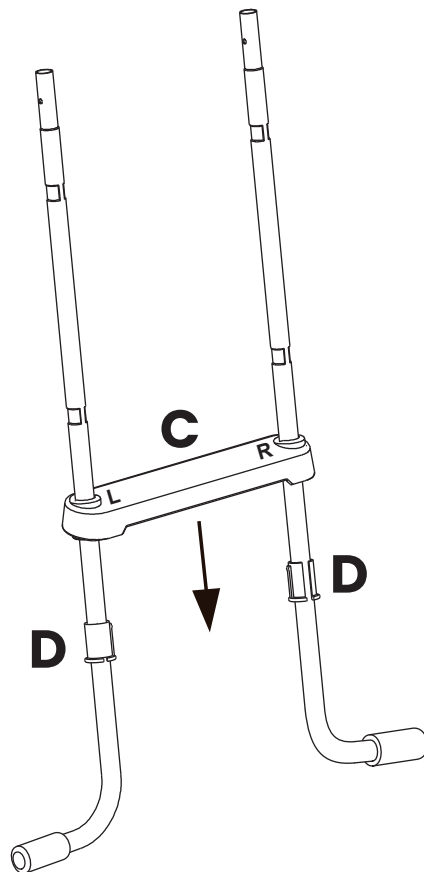
1.



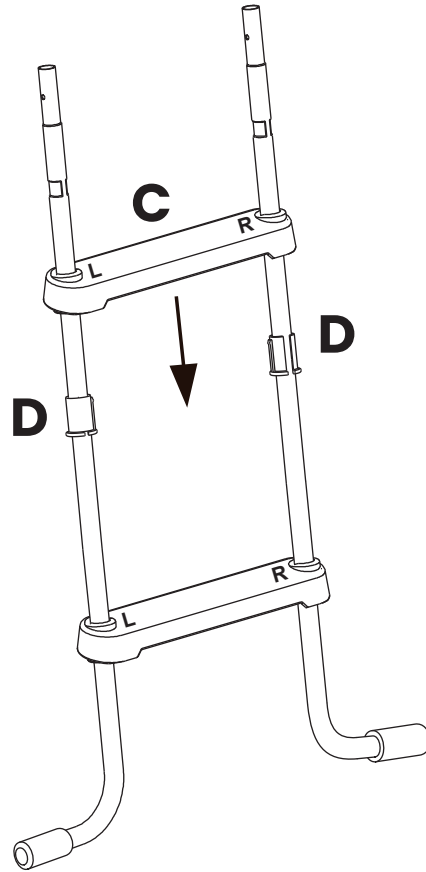
2.



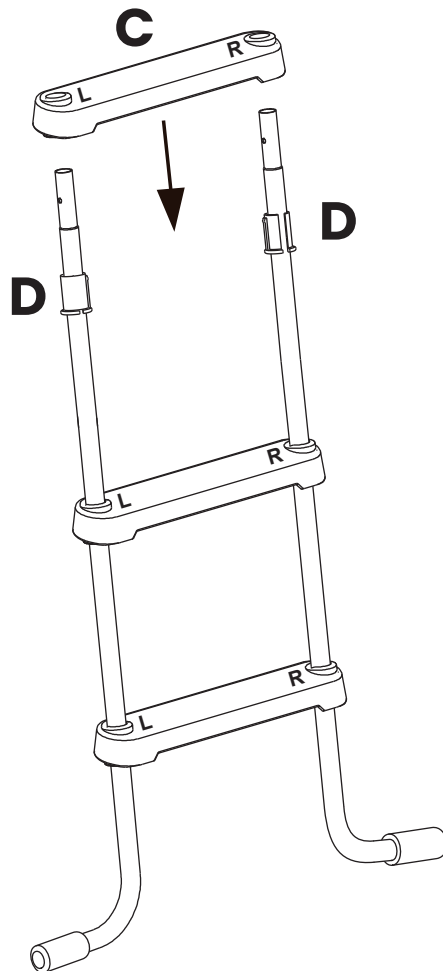
3.



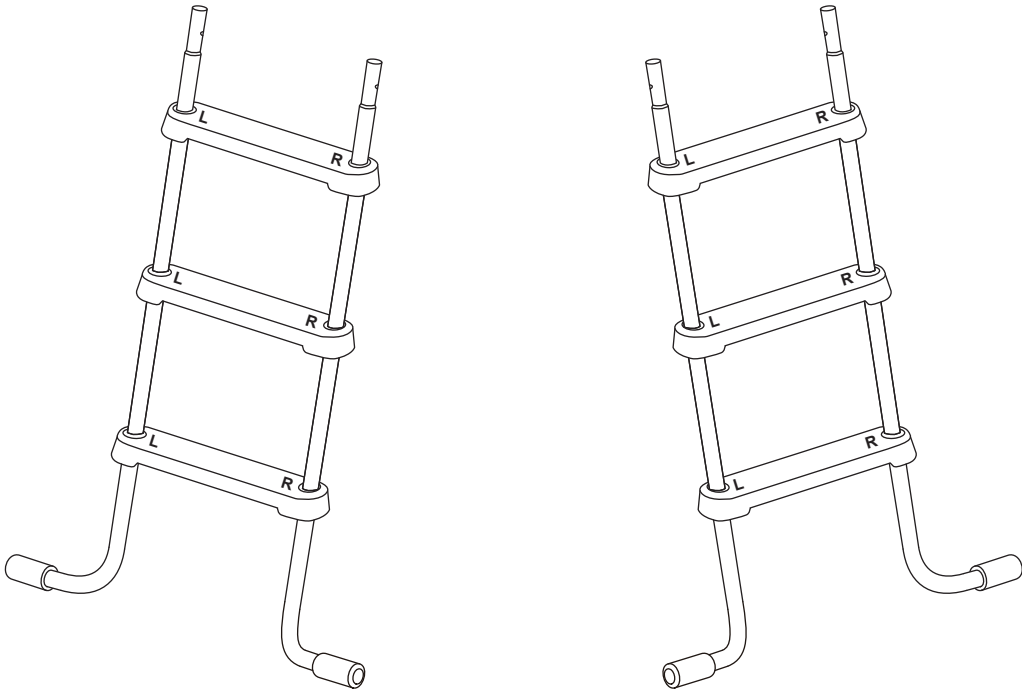
4.



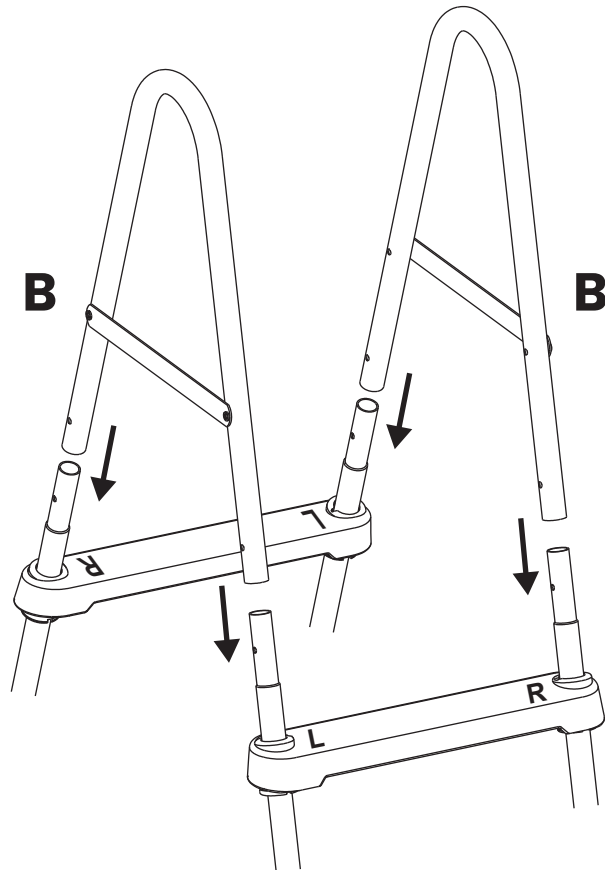
5.



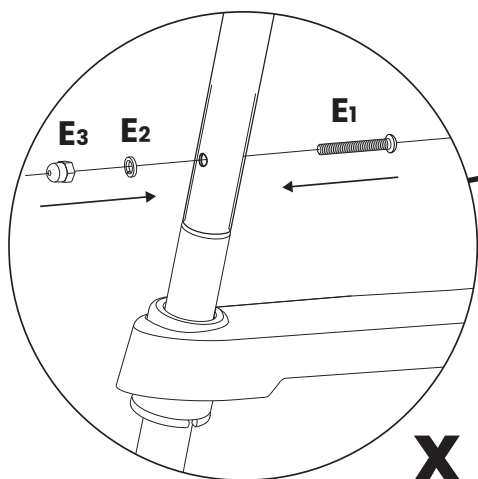
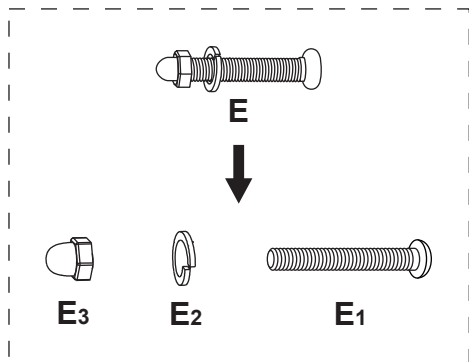
6.



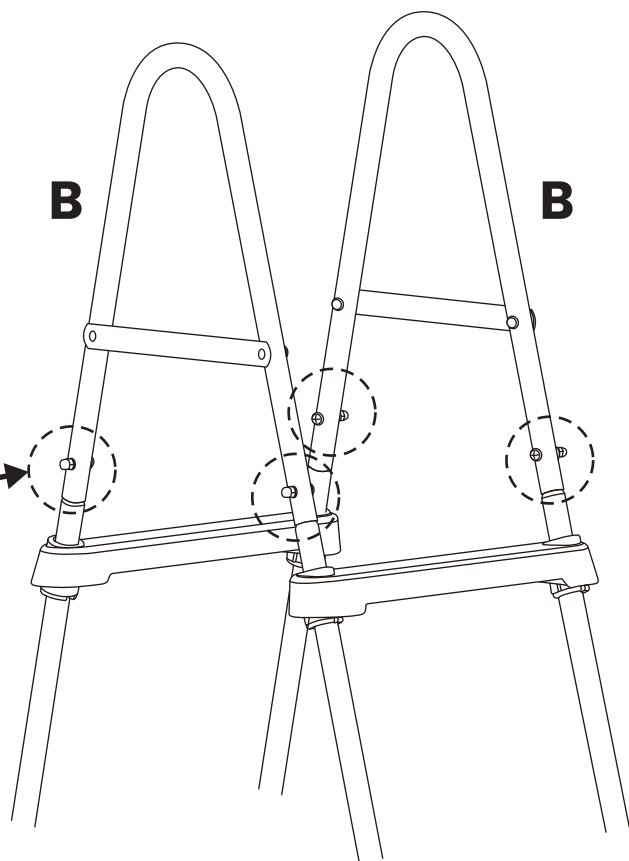
7.



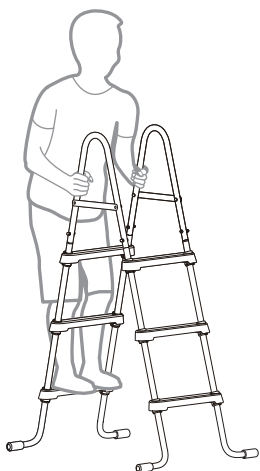
8.



x 4

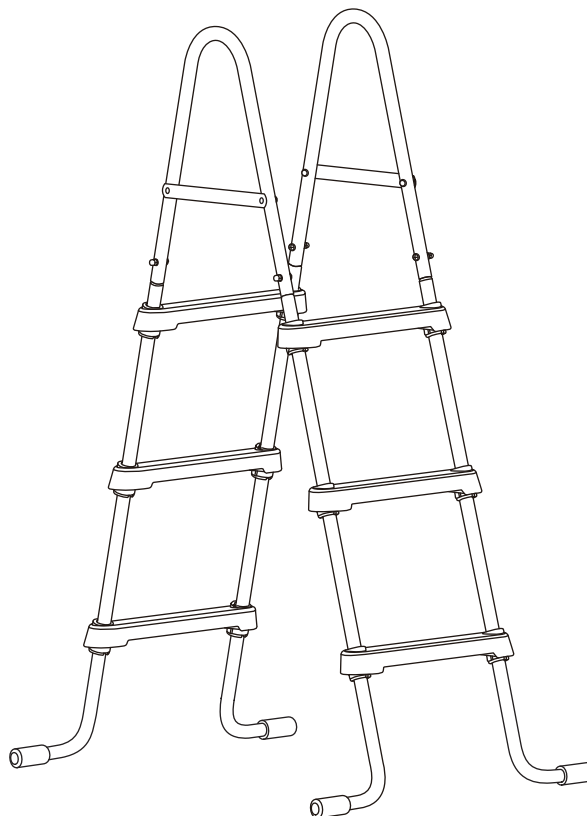


9.



**IMPORTANTE:**

Apoye todo su peso en cada peldaño de la escalera para comprobar que resista.



[Esta página se deja en blanco intencionadamente.]

## Estimado Cliente de Funtastic,

Gracias por elegir uno de nuestros productos Funsicle. Tenemos la misión de inspirar al mundo a jugar más al aire libre, por eso diseñamos productos que capturan el espíritu de imaginación, conexión y diversión del verano.

Es importante para nosotros que tenga la MEJOR experiencia con este producto, y estamos emocionados de que pueda crear recuerdos felices al aire libre.

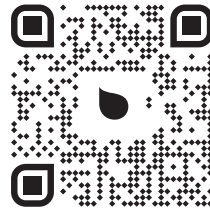
¿Necesitas una mano amiga? Use la información de contacto en esta página para comunicarse con nosotros.

Una vez más, le damos las gracias por depositar su confianza en nosotros. ¡Feliz natación y juego!

- Sus amigos, el equipo de Funsicle

## CONTÁCTENOS

¡Estamos aquí para ayudar! Para obtener respuestas a preguntas comunes, videos de configuración y sugerencias para la resolución de problemas, visite [support.funsicle.com](http://support.funsicle.com) o escanee el código QR.



### NO DEVUELVA EL PRODUCTO A LA TIENDA.

Si tiene algún problema con su producto Funsicle, no lo devuelva al lugar donde lo compró.

Póngase en contacto con el SERVICIO DE ATENCIÓN AL CLIENTE:

**Teléfono: 888-670-4FUN (888-670-4386)**

**Correo electrónico: [HelloFun@Funsicle.com](mailto:HelloFun@Funsicle.com)**

### GARANTÍA

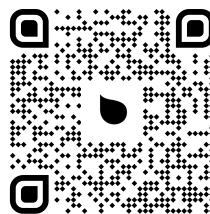
Para obtener información sobre la garantía consulte [funsicle.com/warranty](http://funsicle.com/warranty).

### ¿NECESITA REPUESTOS?

Para pedir repuestos y accesorios consulte [funsicle.com](http://funsicle.com).

### REGISTRE SU PRODUCTO

Escanee el código QR



# Funsicle®

Polygroup North America, Inc.  
303 SW 16th Street, Suite 1,  
Bentonville, AR 72712, USA