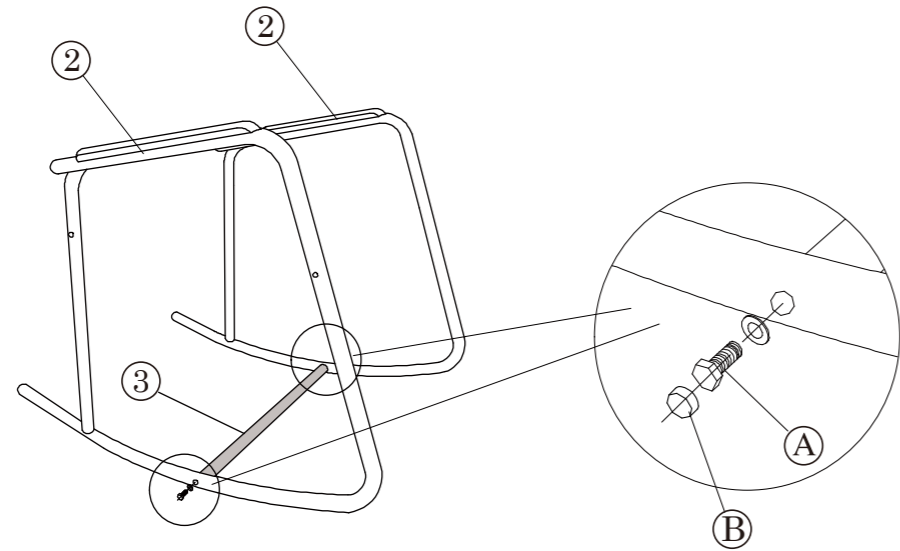


Step 1



Don't fully tighten the bolts until step 2.

(A) 2 sets of M6 x 35 bolt



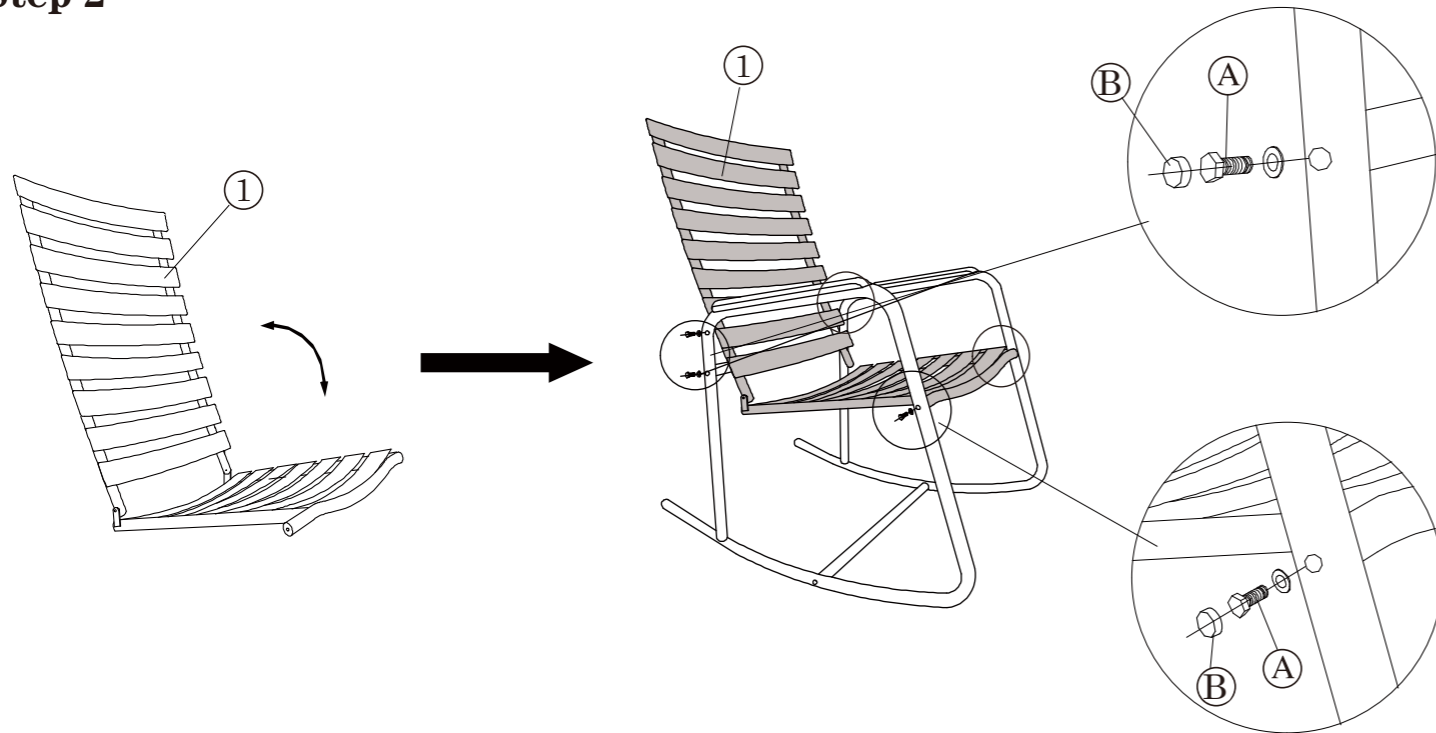
(B) 2 x M6 bolt caps



Socket Wrench M6



Step 2



Fully tighten all the bolts once all the bolts in place!

(A) 6 sets of M6 x 35 bolt



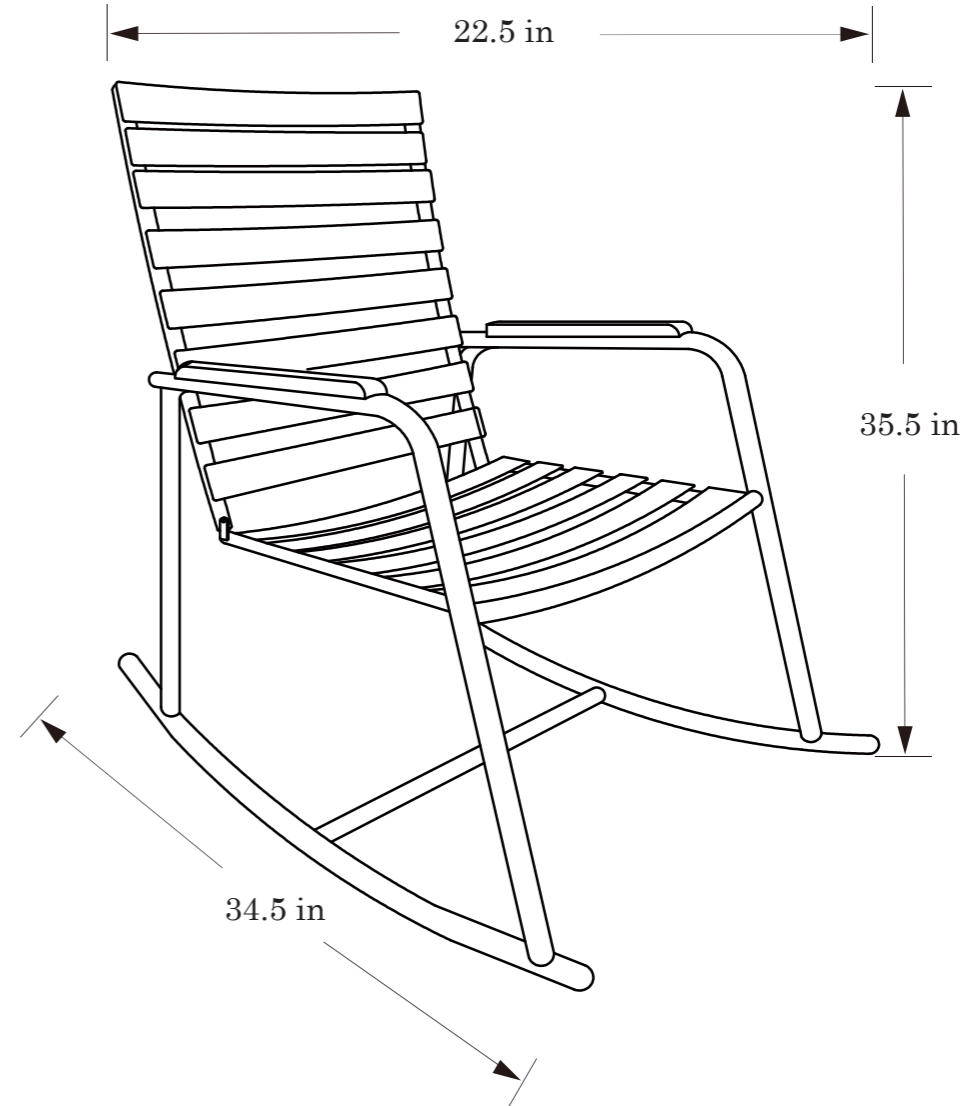
(B) 6 x M6 bolt caps



Socket Wrench M6



Please read instructions carefully before use. Retain for future reference.  
**CAUTION: Pinch Point, please keep hands clear from moving parts.**



Assembled Dimensions

Approximate assembly time: **10 Minutes**

People for assembly: 

Required assembly space:  
Floor area 9 ft. x 9 ft. (3 m x 3 m)



Required assembly tools (included):

Socket Wrench M6



**CAUTION:**  
Hand tools only, use of power tools could damage product.

Distributed by:  
TRACTOR SUPPLY COMPANY  
5401 VIRGINIA WAY  
BRENTWOOD, TN 37027  
For customer support,  
call: 1-888-376-9601  
www.TractorSupply.com

## TIPS BEFORE YOU START

- \* Ensure that all parts are present prior to assembly.
- \* Check all packing material carefully before discarding, as some parts may be encased in the packing material.
- \* For ease and speed of assembly, it is recommended that all required parts be identified prior to each step.
- \* Ensure that you have sufficient space and the number of people (as indicated on page 1) to assemble the product safely.
- \* During assembly, take care not to over-tighten any fittings, as this may damage the product.

## CARE AND MAINTENANCE

- \* Always inspect the product for any obstructions during each use.
- \* The manufacturer will not accept responsibility for unauthorized repairs or modifications to this product.
- \* To clean, wash the frame and the fabric with mild soap and water; rinse thoroughly; dry the frame completely and allow the fabric to drip dry away from direct sunlight.
- \* Do not use bleach, acid, or other solvents on the fabric or frame parts.
- \* To prolong the life of your furniture, we recommend storing it in a dry area when not in use or during severe weather conditions.



### WARNING

- \* Annually:
  - \* Check all nuts and bolts for tightness each season, and more often if used frequently.
  - \* Oil all metal moving parts with a general - purpose lubricating oil to ensure proper performance and safety.
- \* Keep children away during assembly. This item contains small parts which can be swallowed by children. Children should always be under adult supervision while using this product.
- \* This product is for residential use only, not for commercial use.

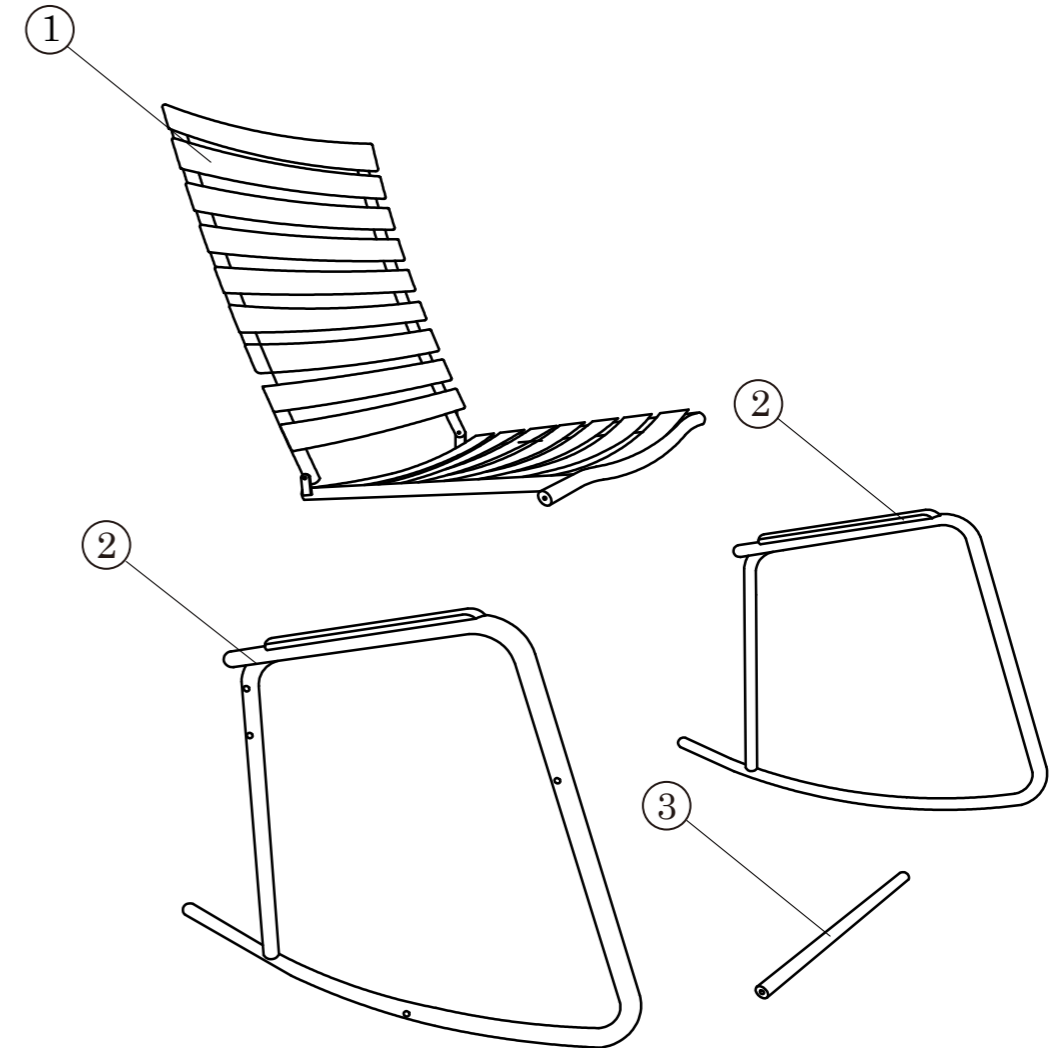


### WEIGHT LIMIT

Chair: 225 lbs (102.06 kg)

## PARTS LIST

| NO. | Description   | Quantity |
|-----|---------------|----------|
| ①   | Back and Seat | 1        |
| ②   | Armrest       | 2        |
| ③   | Support Brace | 1        |



## HARDWARE LIST

|   |                                      |  |   |                                |  |
|---|--------------------------------------|--|---|--------------------------------|--|
| Ⓐ | 8 sets of M6 x 35 bolt + 1 spare set |  | Ⓑ | 8 x M6 bolt caps + 1 spare cap |  |
|---|--------------------------------------|--|---|--------------------------------|--|