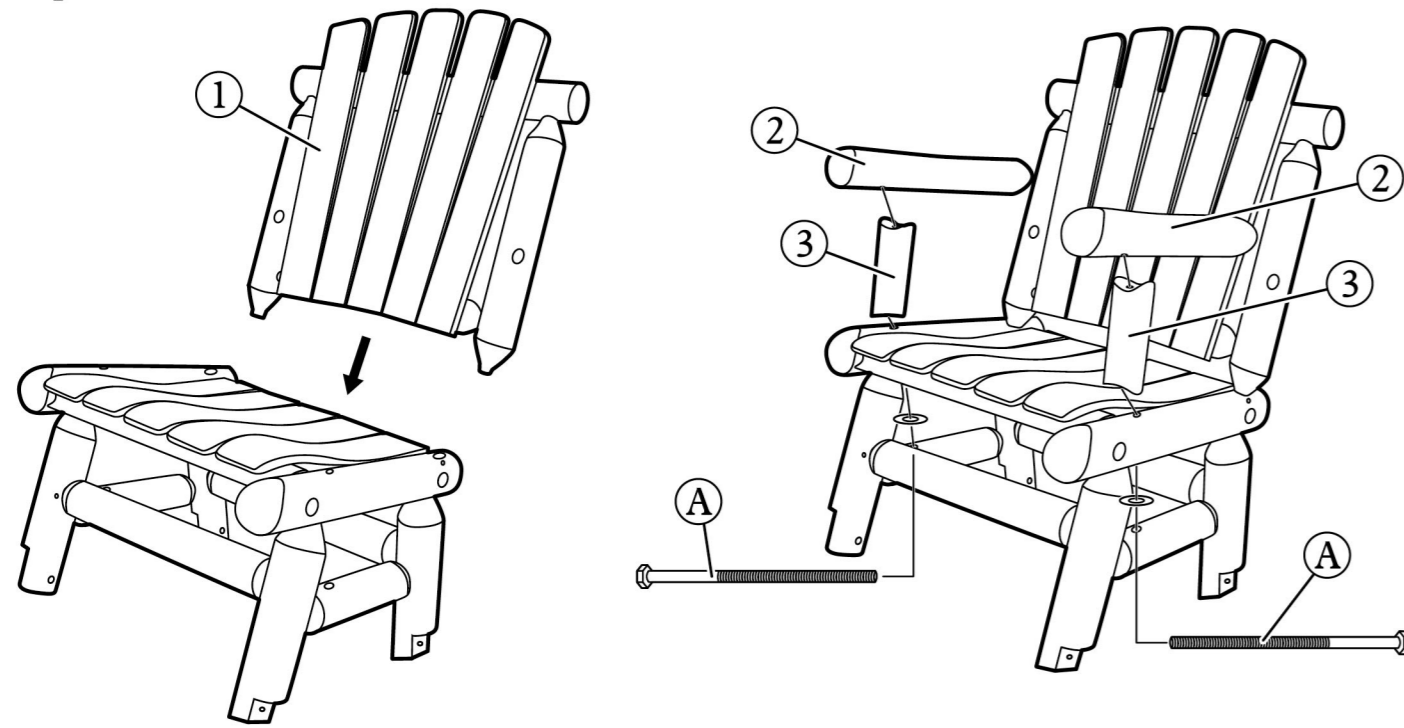
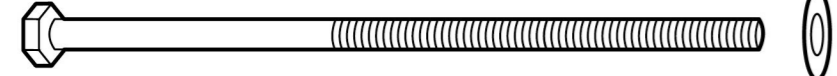


**ASSEMBLY INSTRUCTIONS**

**Step 3**

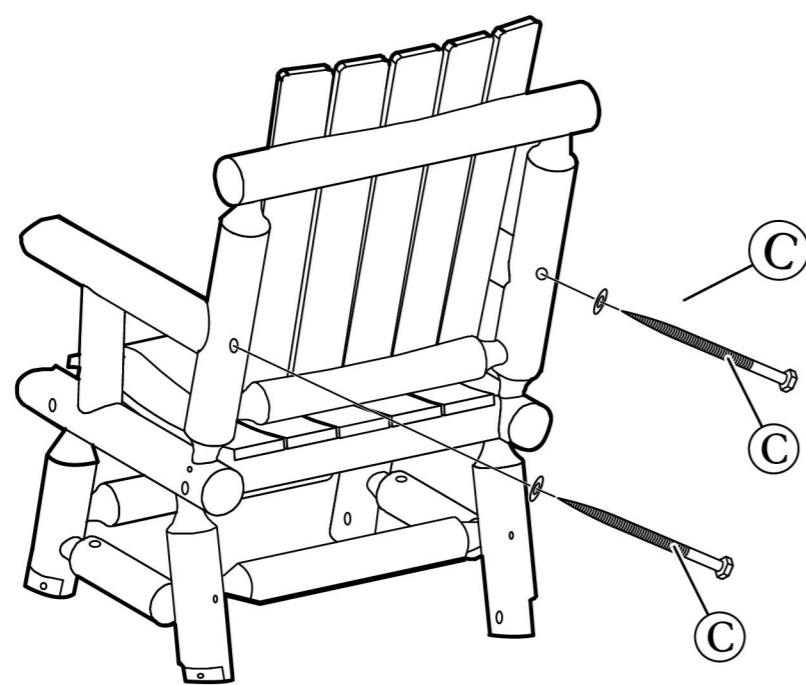


A 2 pcs - 10 x 290mm

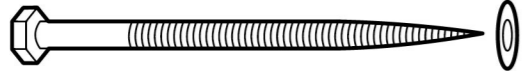


17mm Socket Wrench

**Step 4**



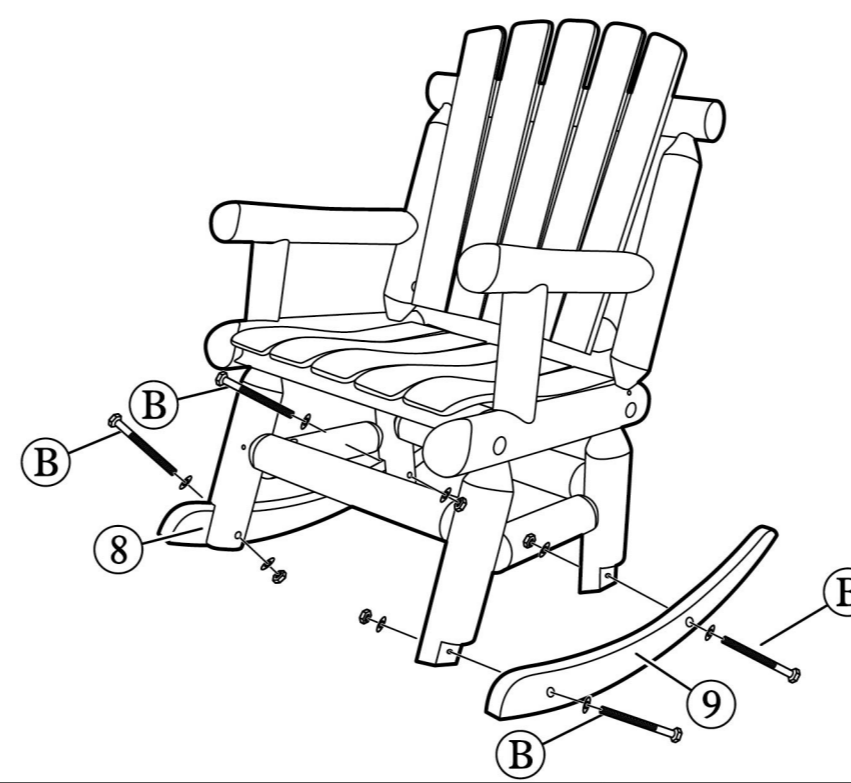
C 2 pcs - 8 x 140mm



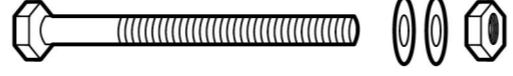
14mm Socket Wrench

**ASSEMBLY INSTRUCTIONS**

**Step 5 PRE-DRILLED HOLE/COUNTERSUNK FACING OUT.**

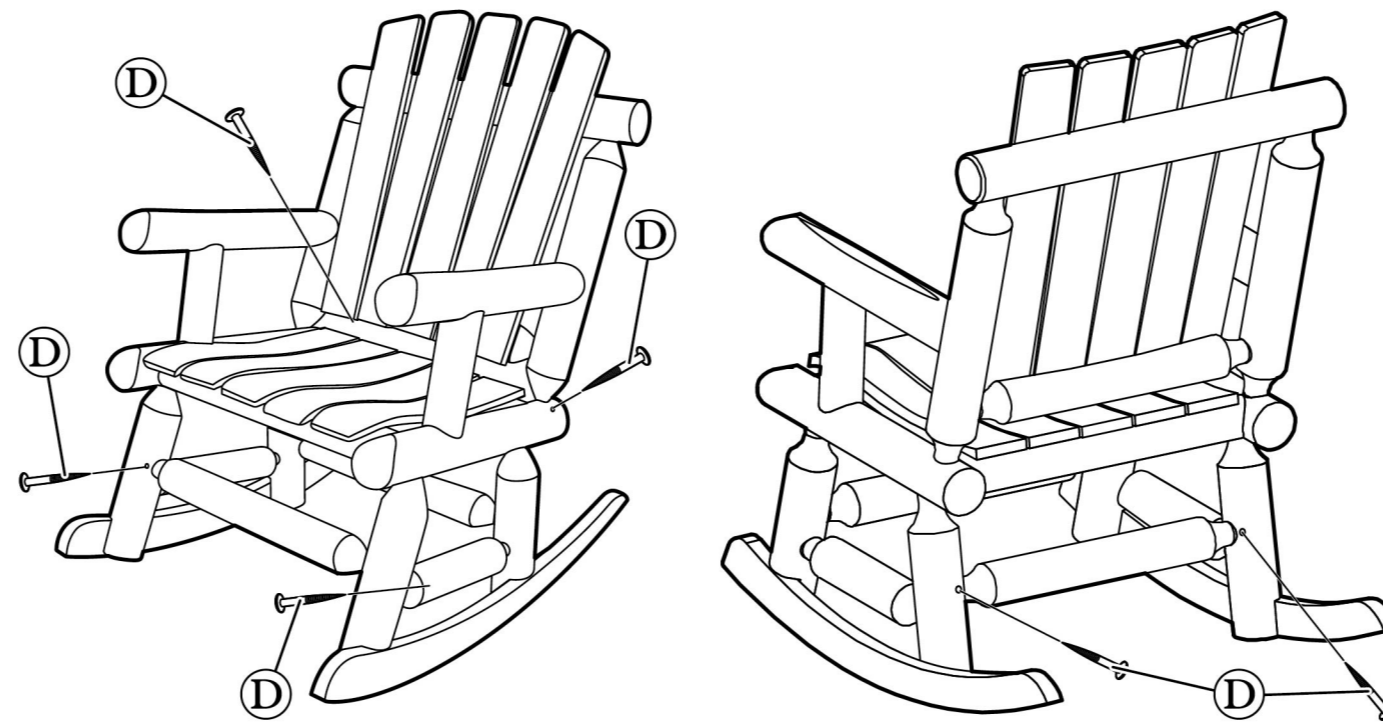


B 4 pcs - 8 x 65mm



14mm Socket Wrench

**Step 6**



D 6 pcs - 4 x 45mm



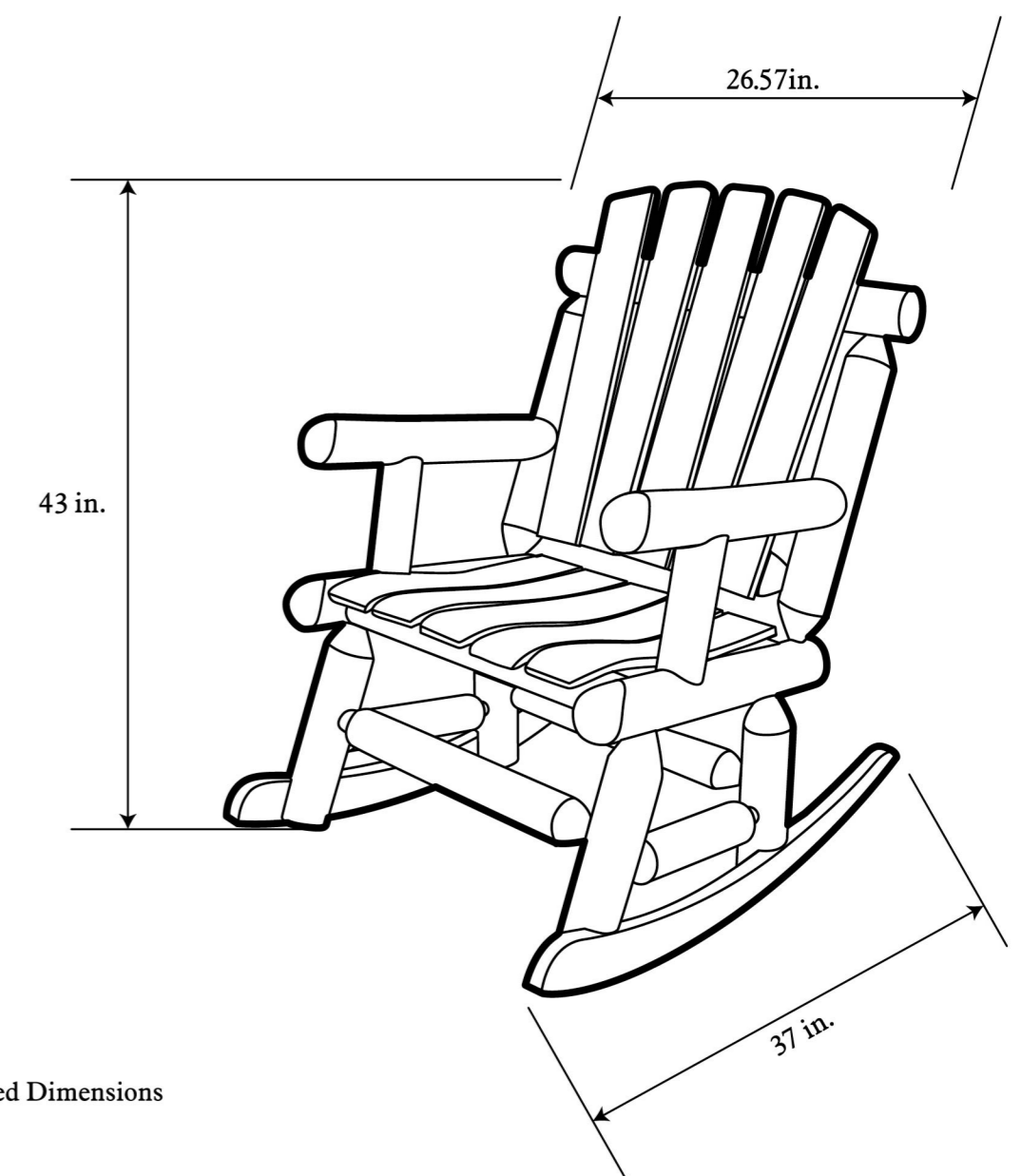
Screwdriver



**STAINED LOG ROCKER**

**INSTRUCTION MANUAL**

SKU # 2279982



Assembled Dimensions

Distributed by:  
TRACTOR SUPPLY COMPANY  
5401 VIRGINIA WAY  
BRENTWOOD, TN 37027  
For customer support,  
call 1-888-379-9601  
www.TractorSupply.com

Approximate assembly time: **30 Minutes**

People for assembly:

Required assembly space: Floor area 9 ft. x 9 ft. (3 m x 3 m)

Required assembly tools (Not included):

Rubber mallet

14mm, 17mm

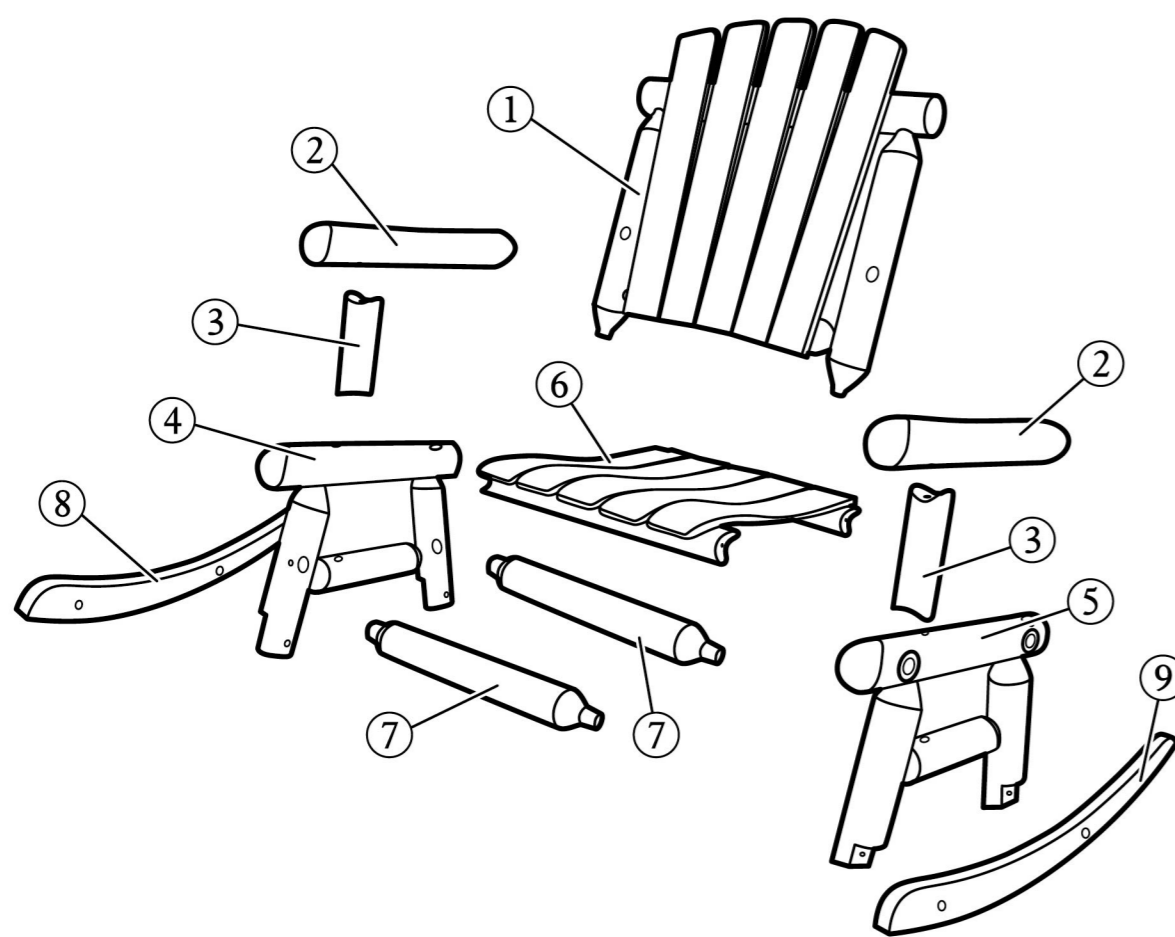
Socket wrench

Screwdriver

**CAUTION:** Hand tools only, use of power tools could damage product.

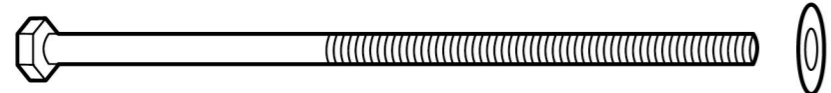
**PARTS LIST**

No.	Description	Quantity	No.	Description	Quantity
1	Chair Back	1	6	Chair Seat	1
2	Armrest	2	7	Cross Bar	2
3	Armrest Support	2	8	Right Rocker	1
4	Right Leg Assembly	1	9	Left Rocker	1
5	Left Leg Assembly	1			

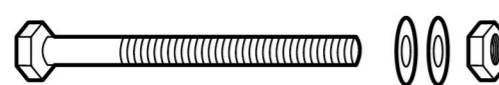


**Hardware List**

A 2 pcs - 10 x 290mm



B 4 pcs - 8 x 65mm



C 6 pcs - 8 x 140mm



D 6 pcs - 4 x 45mm



**TIPS BEFORE YOU START!**

1. Ensure that all parts are present prior to assembly.
2. Check all packing material carefully before discarding, as some parts may be encased in the packing material.
3. For ease and speed of assembly, it is recommended that prior to each step all required parts are identified.
4. Ensure that you have sufficient space and people (as indicated on page 1) to assemble product safely.
5. During assembly take care not to over-tighten any fittings, as this may damage the product.

**CARE AND MAINTENANCE**

- For indoor and outdoor use.
- Periodically check all fittings and re-tighten as necessary.
- Do not stand on chair.
- This product should only be used on firm, level ground.
- Checking (cracking that runs the length of the log) is intentional and does not affect the strength or stability of the chair.

**WEIGHT LIMIT**

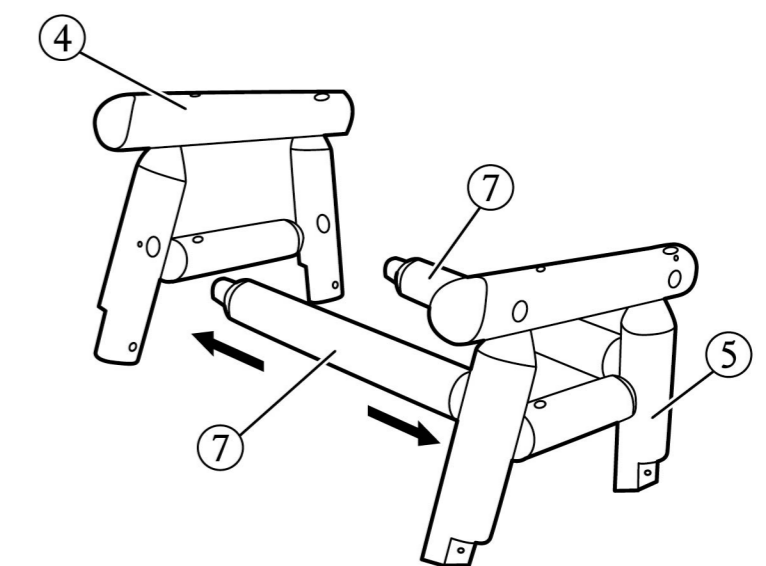
Chair: 300lbs.(136kg)

**⚠ WARNING:**

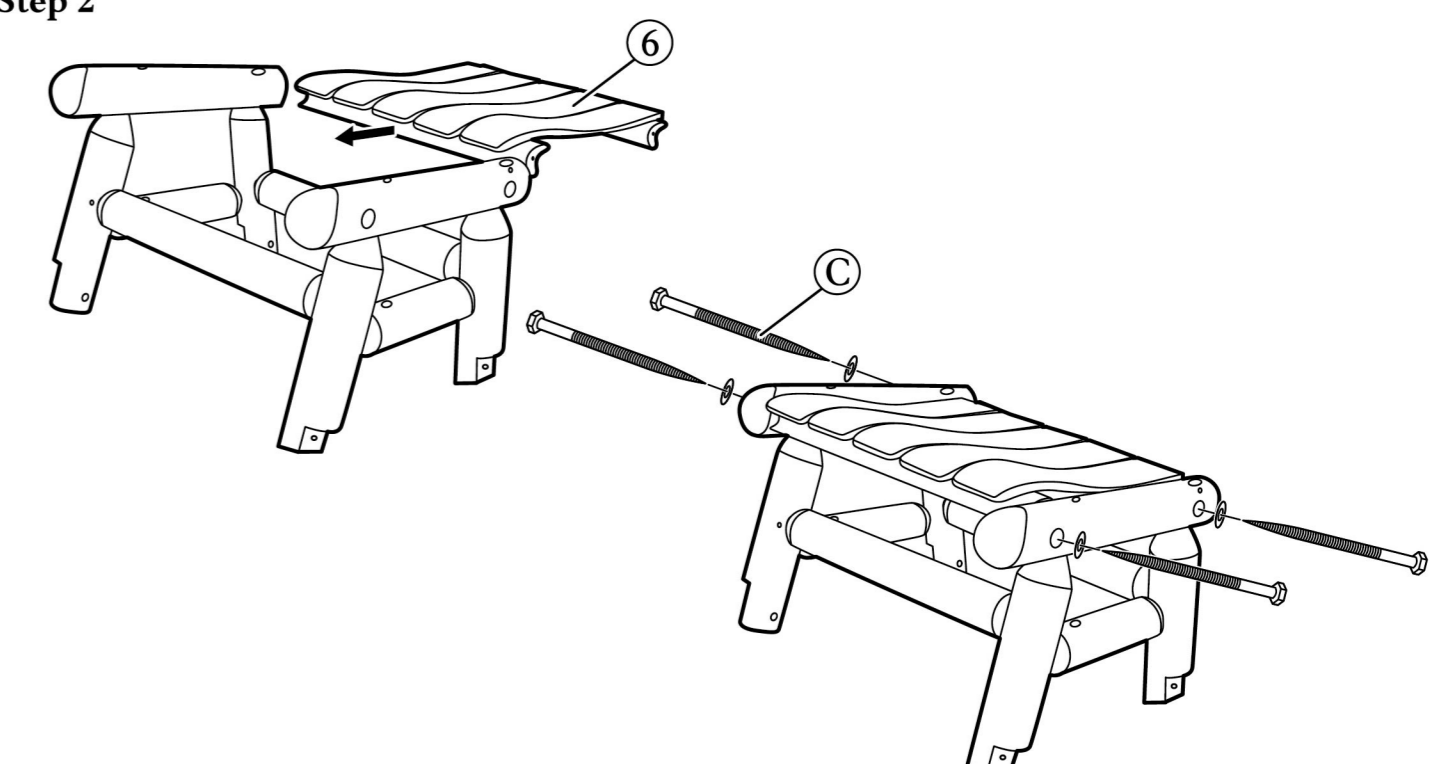
- Keep children at a safe distance to prevent accidents.
- Only use on level surface.
- Inspect visually before each use and ensure all hardware is properly tightened.

**ASSEMBLY INSTRUCTIONS**

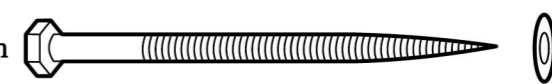
**Step 1**



**Step 2**



C 4 pcs - 8 x 140mm



14mm Socket wrench