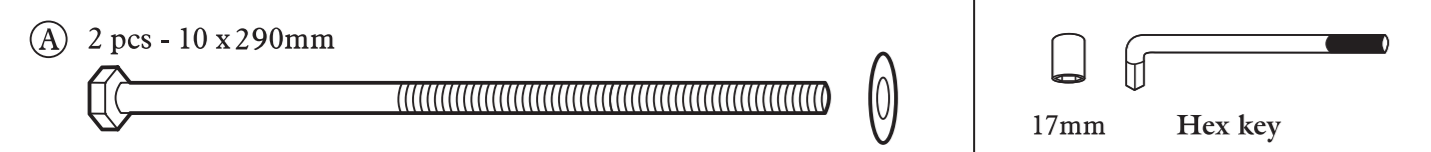
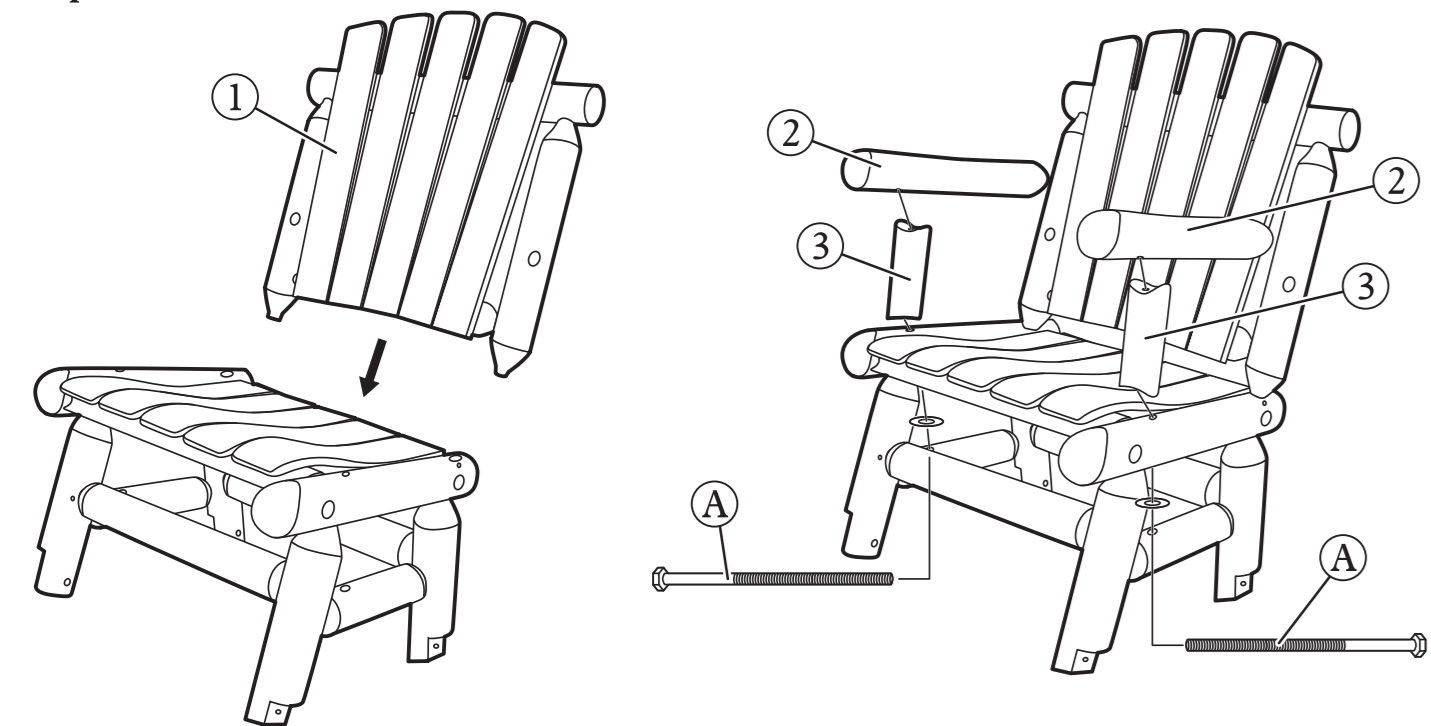


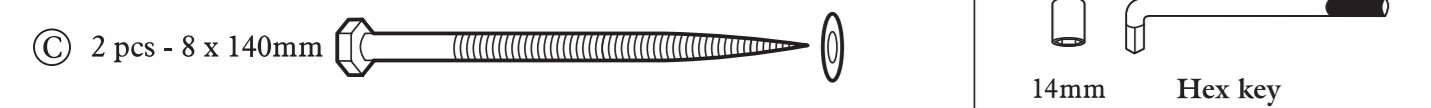
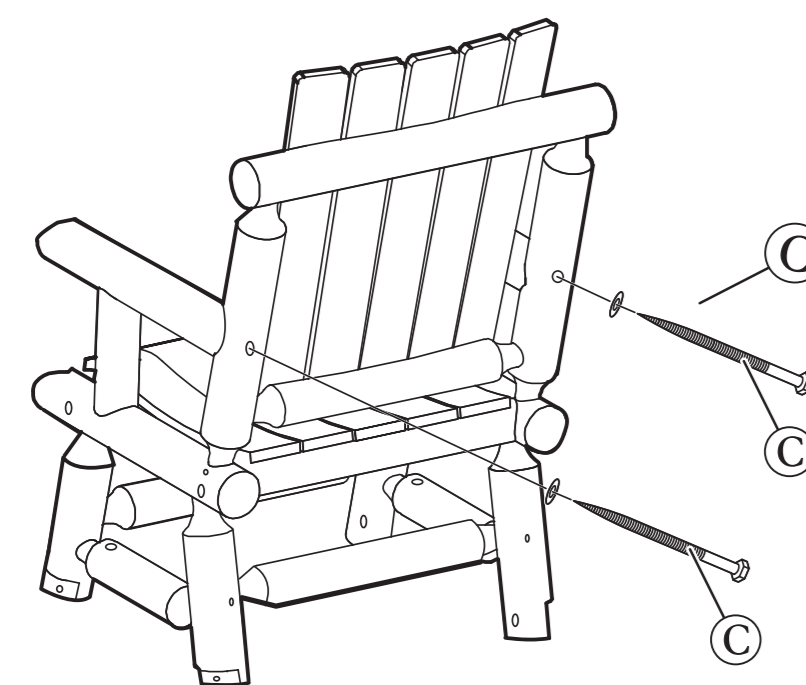
630 mm

ASSEMBLY INSTRUCTIONS

Step 3

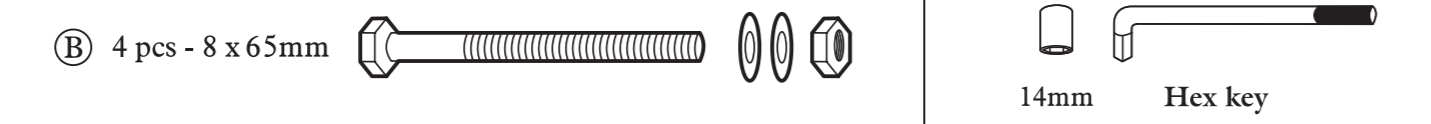


Step 4

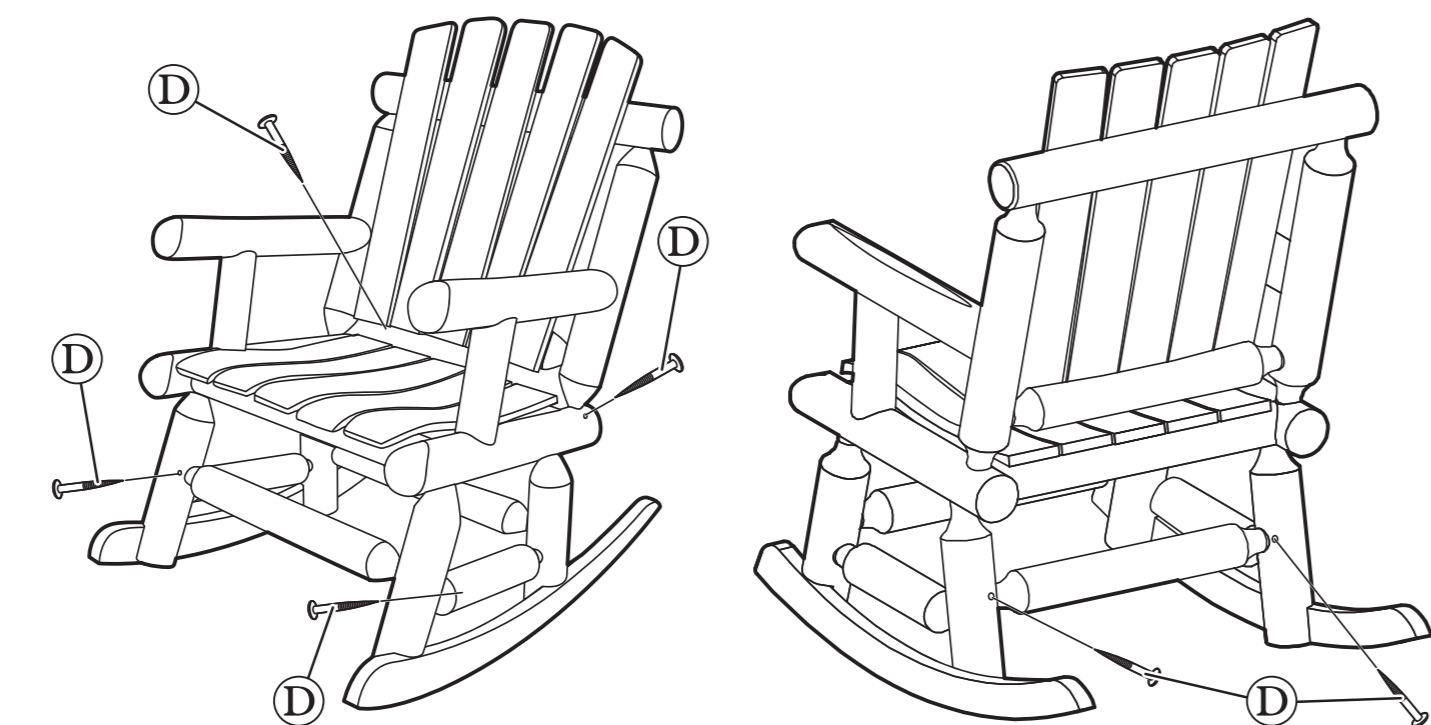


ASSEMBLY INSTRUCTIONS

Step 5 PRE-DRILLED HOLE/COUNTERSUNK FACING OUT.



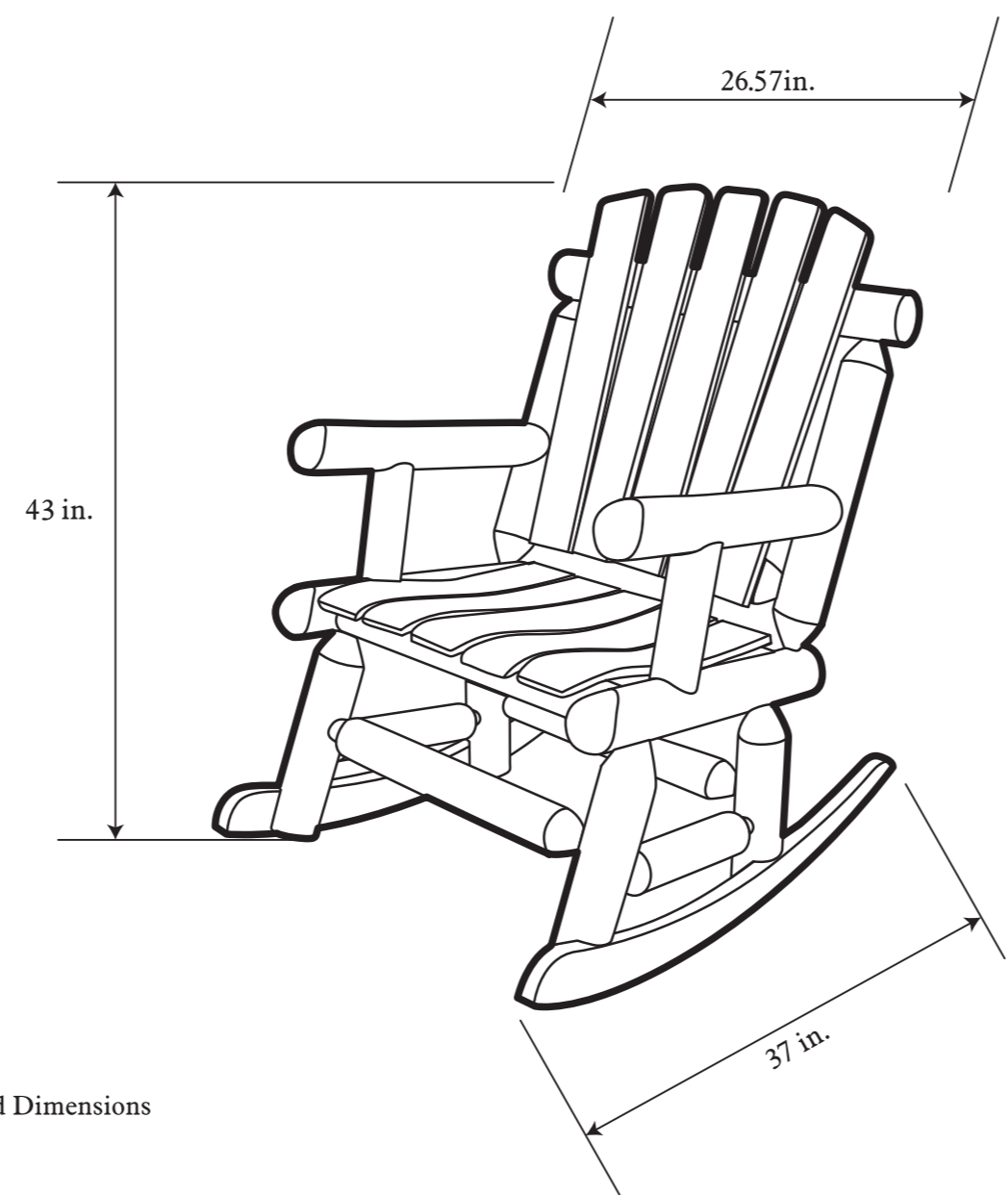
Step 6



RED SHED HOME & GIFTS
RUSTIC • VINTAGE • CLASSIC

43IN LOG ROCKER
INSTRUCTION MANUAL

SKU # 2596769



Assembled Dimensions

Distributed by:
TRACTOR SUPPLY COMPANY
3811 VIRGINIA WAY
BRENTWOOD, TN 37027
For customer support,
call: 1-888-376-9601
www.TractorSupply.com

Approximate assembly time: **30 Minutes**

People for assembly:

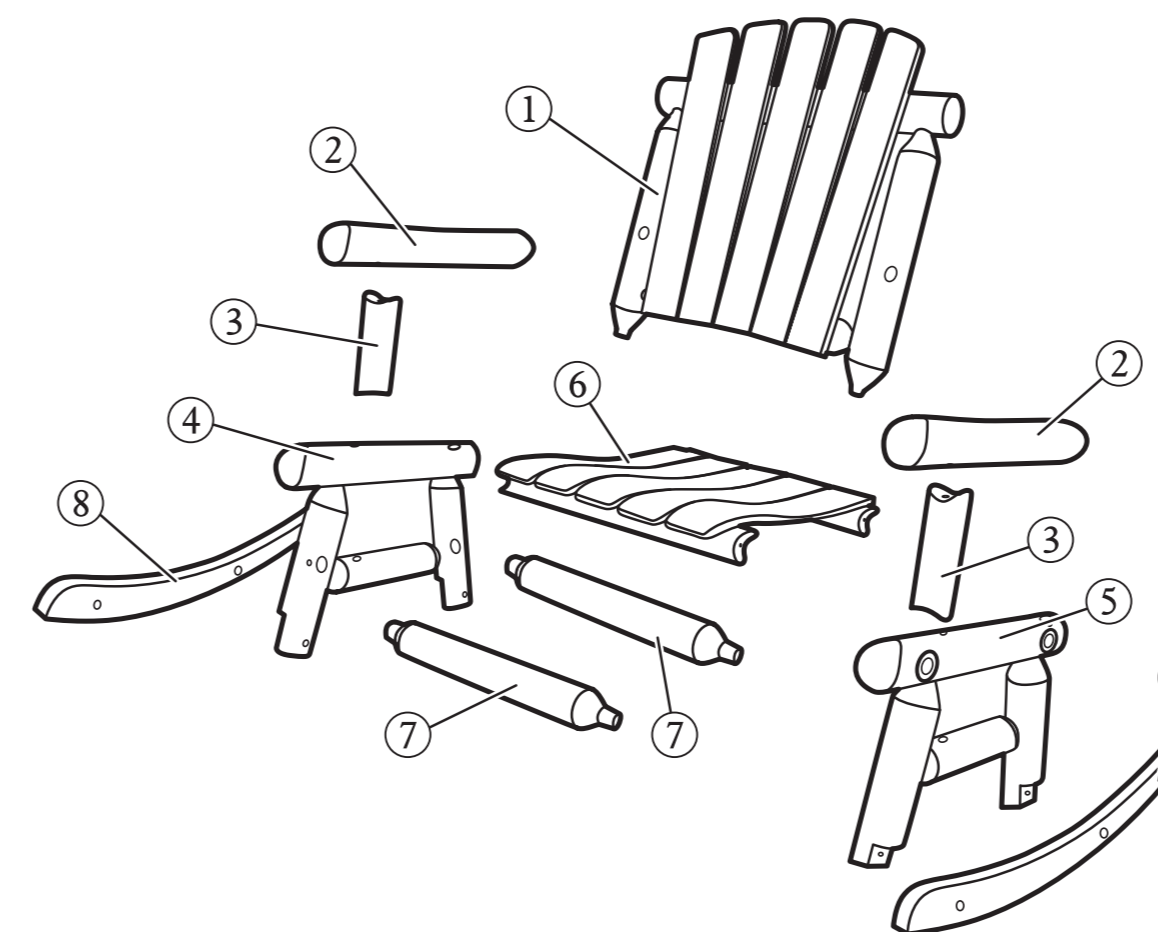
Required assembly space: Floor area 9 ft. x 9 ft. (3 m x 3 m)

Required assembly tools (Not included):
 Rubber mallet
 14mm, 17mm Hex key
 Screwdriver

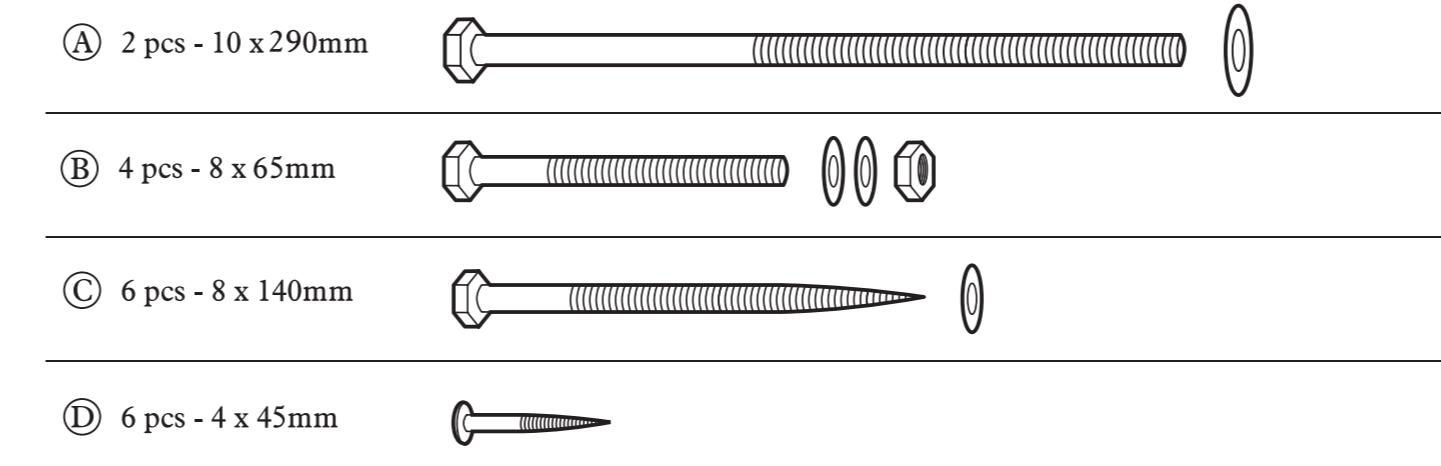
CAUTION: Hand tools only, use of power tools could damage product.

PARTS LIST

No.	Description	Quantity	No.	Description	Quantity
1	Chair Back	1	6	Chair Seat	1
2	Armrest	2	7	Cross Bar	2
3	Armrest Support	2	8	Right Rocker	1
4	Right Leg Assembly	1	9	Left Rocker	1
5	Left Leg Assembly	1			



Hardware List



TIPS BEFORE YOU START!

1. Ensure that all parts are present prior to assembly.
2. Check all packing material carefully before discarding, as some parts may be encased in the packing material.
3. For ease and speed of assembly, it is recommended that prior to each step all required parts are identified.
4. Ensure that you have sufficient space and people (as indicated on page 1) to assemble product safely.
5. During assembly take care not to over-tighten any fittings, as this may damage the product.

CARE AND MAINTENANCE

- For indoor and outdoor use.
- Periodically check all fittings and re-tighten as necessary.
- Do not stand on chair.
- This product should only be used on firm, level ground.
- Checking (cracking that runs the length of the log) is intentional and does not affect the strength or stability of the chair.

WEIGHT LIMIT

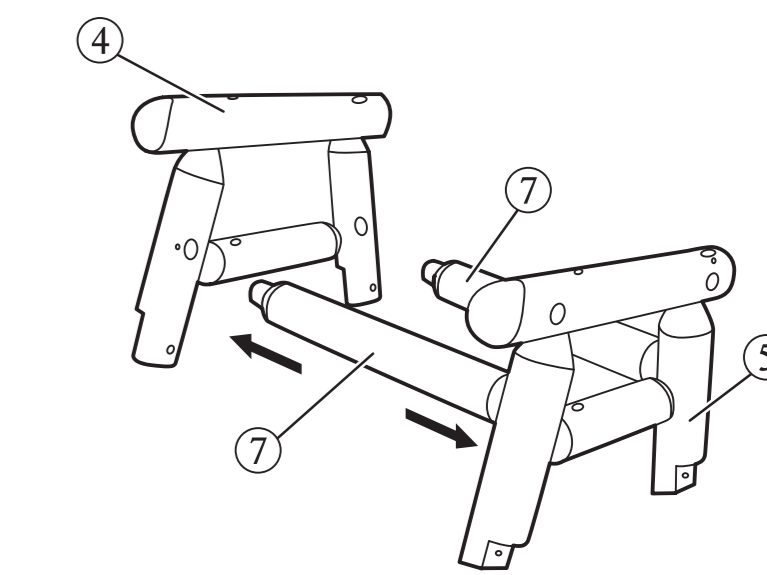
Chair: 300lbs.(136kg)

⚠ WARNING:

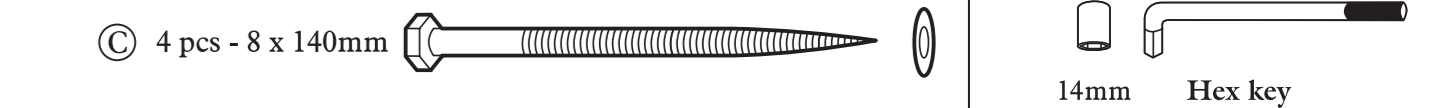
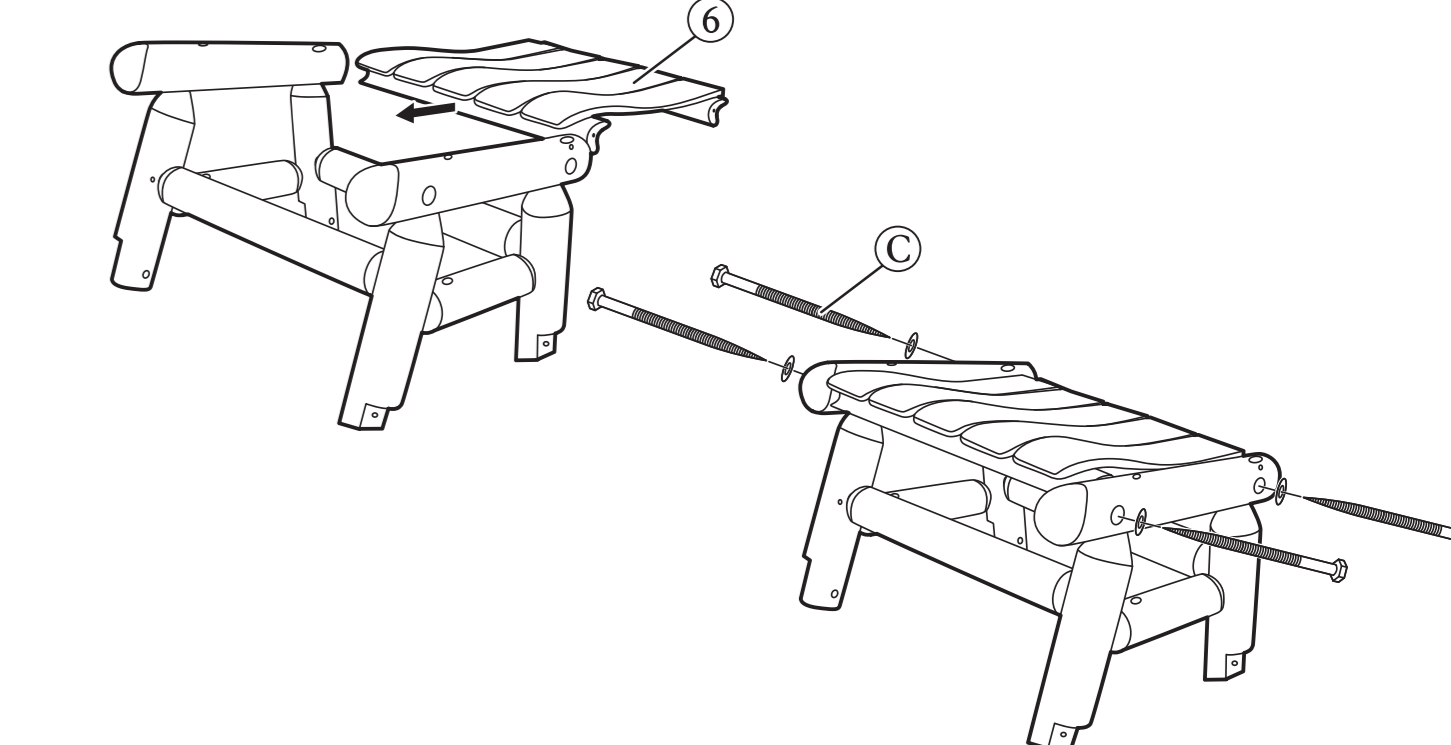
- Keep children at a safe distance to prevent accidents.
- Only use on level surface.
- Inspect visually before each use and ensure all hardware is properly tightened.
- Some pieces have been pre-split to prevent further cracking from the natural swelling and shrinking that occurs with changes in the weather.

ASSEMBLY INSTRUCTIONS

Step 1



Step 2



285 mm