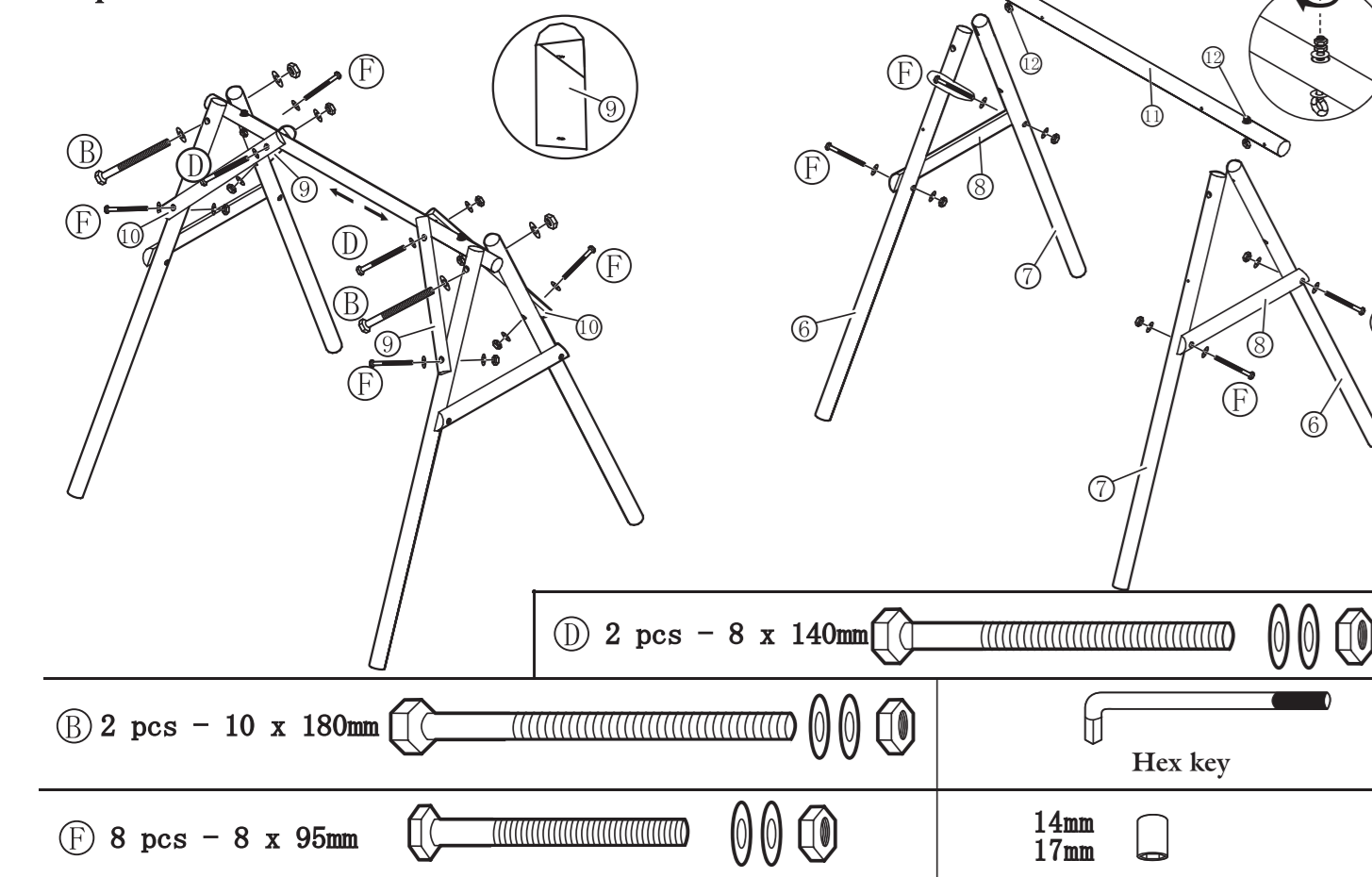


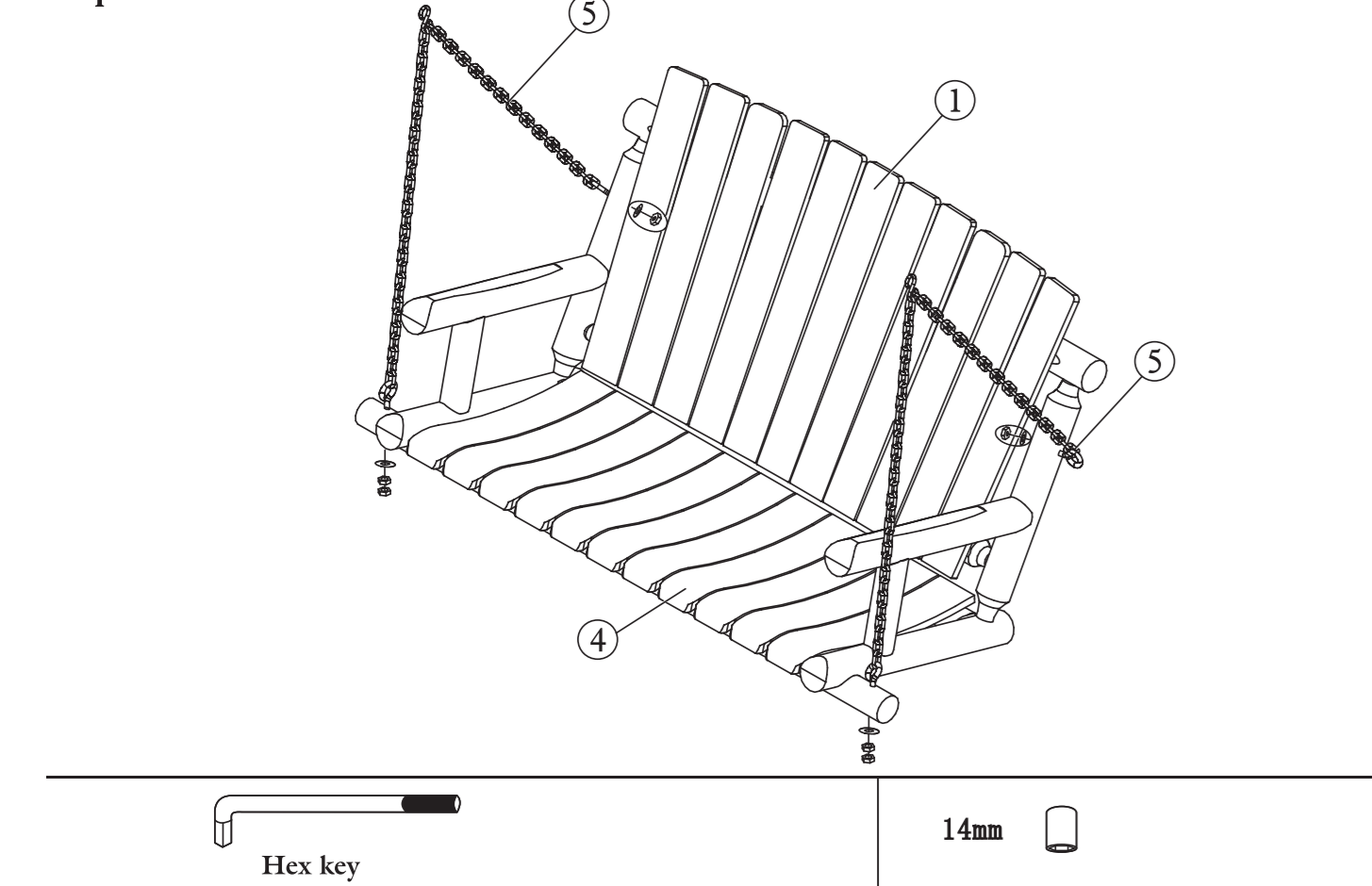
630 mm

ASSEMBLY INSTRUCTIONS

Step 3

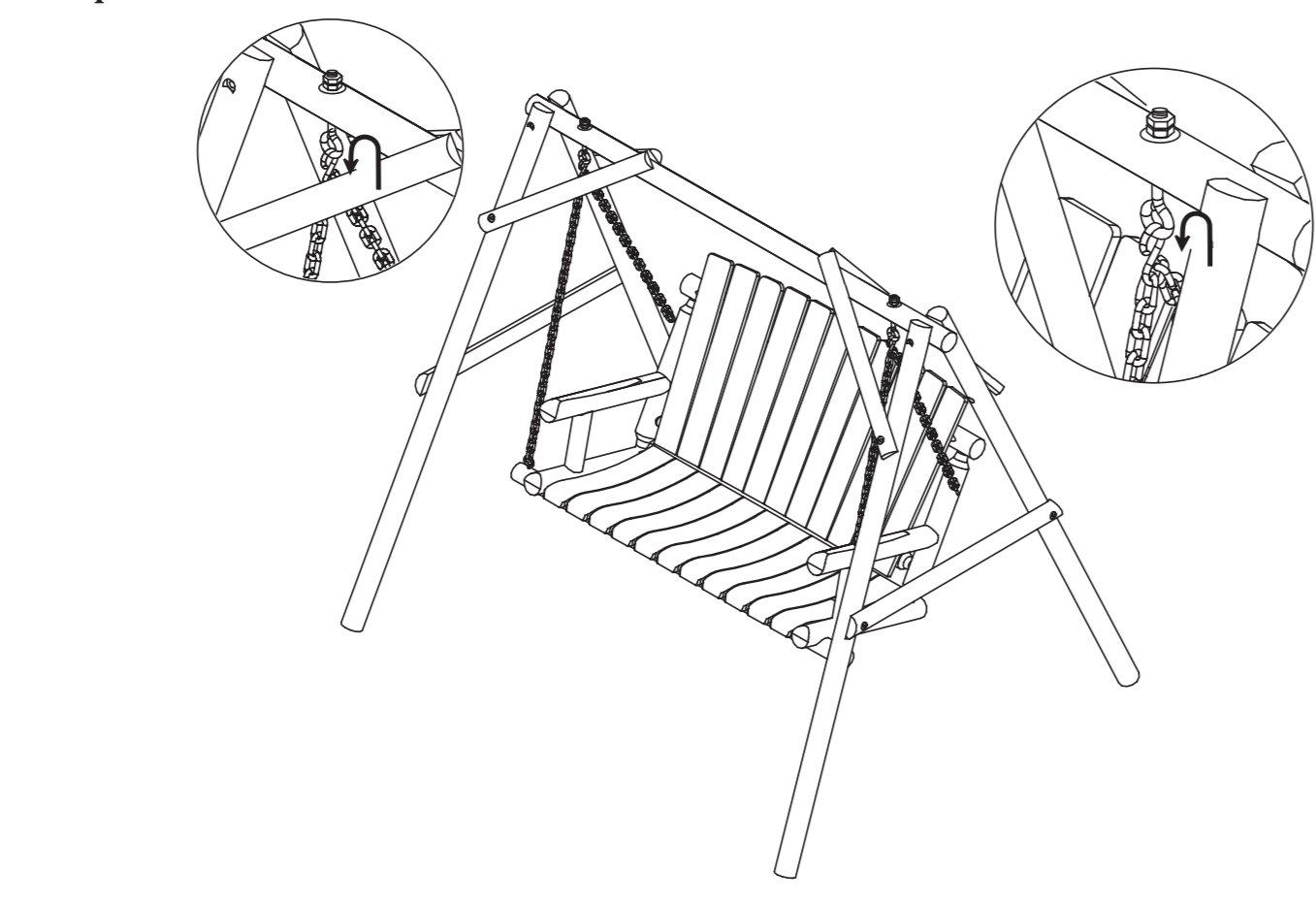


Step 4



ASSEMBLY INSTRUCTIONS

Step 5



Step 6

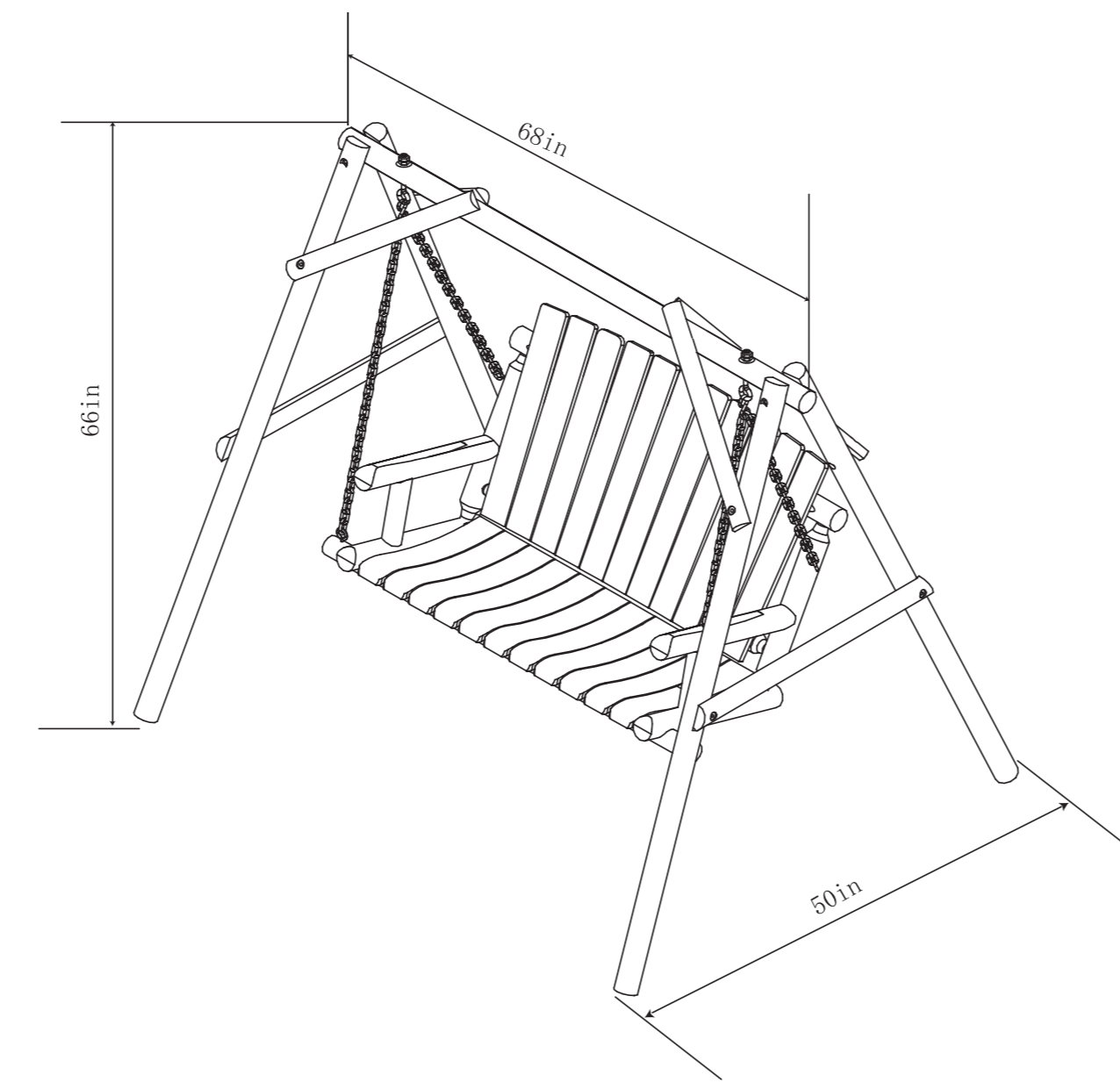


RED SHED
HOME & GIFTS
RUSTIC • VINTAGE • CLASSIC

68IN LOG A FRAME SWING

INSTRUCTION MANUAL

SKU # 2596768



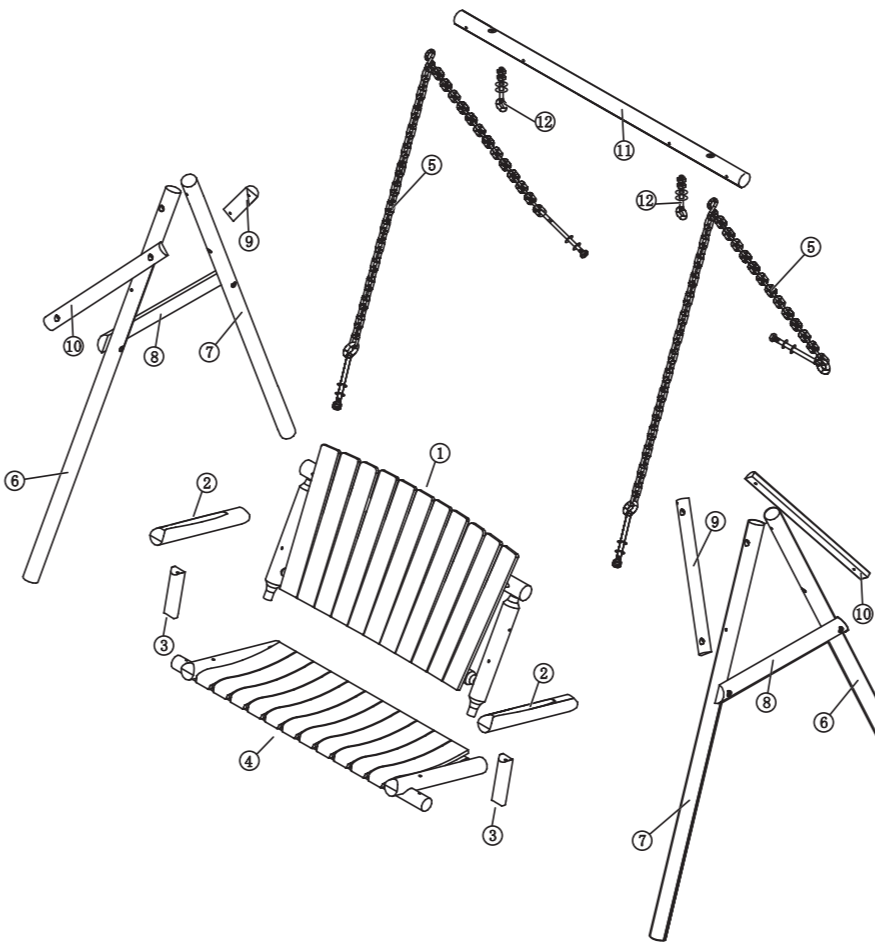
Assembled Dimensions

Approximate assembly time: 45 Minutes	People for assembly:	Required assembly space: Floor area 9 ft. x 9 ft. (3 m x 3 m)
Required assembly tools (Not included): Rubber mallet	14mm/17mm Hex key	Screwdriver

CAUTION: Hand tools only, use of power tools could damage product.

PARTS LIST

No.	Description	Quantity	No.	Description	Quantity
1	Bench Back	1	7	Leg B	2
2	Armrest	2	8	Side Brace	2
3	Armrest Support	2	9	Diagonal Brace Bar A	2
4	Bench Seat	1	10	Diagonal Brace Bar B	2
5	Metal Chain	2	11	Top Beam	1
6	Leg A	2	12	Eye Hook	2



Hardware List

A 2 pcs - 10 x 290mm	B 2 pcs - 10 x 180mm
C 2 pcs - 8 x 140mm	D 2 pcs - 8 x 140mm
E 2 pcs - 8 x 140mm	F 8 pcs - 8 x 95mm

TIPS BEFORE YOU START!

1. Ensure that all parts are present prior to assembly.
2. Check all packing material carefully before discarding, as some parts may be encased in the packing material.
3. For ease and speed of assembly, it is recommended that prior to each step all required parts are identified.
4. Ensure that you have sufficient space and people (as indicated on page 1) to assemble product safely.
5. During assembly take care not to over-tighten any fittings, as this may damage the product.

CARE AND MAINTENANCE

- For indoor and outdoor use.
- Periodically check all fittings and re-tighten as necessary.
- Do not stand on seat.
- This product should only be used on firm, level ground.
- NOTE: The split that runs the length of the log is intentional and does not affect the strength or stability of the swing.

WEIGHT LIMIT

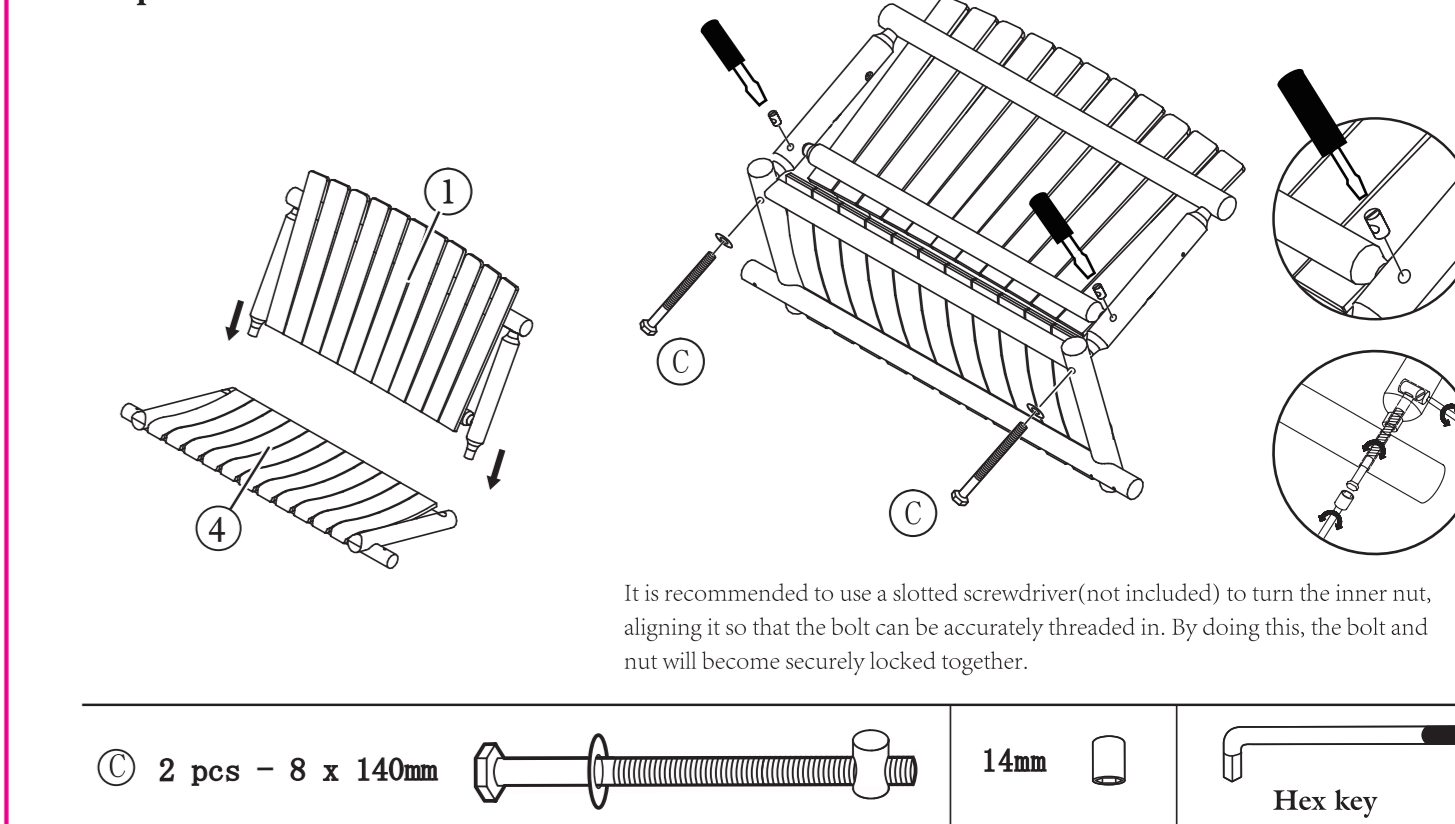
Chair: 450 lbs.(204kg.)

⚠ WARNING:

- Keep children at a safe distance to prevent accidents.
- Only use on level surface.
- Inspect visually before each use and ensure all hardware is properly tightened.
- Some pieces have been pre-split to prevent further cracking from the natural swelling and shrinking that occurs with changes in the weather.

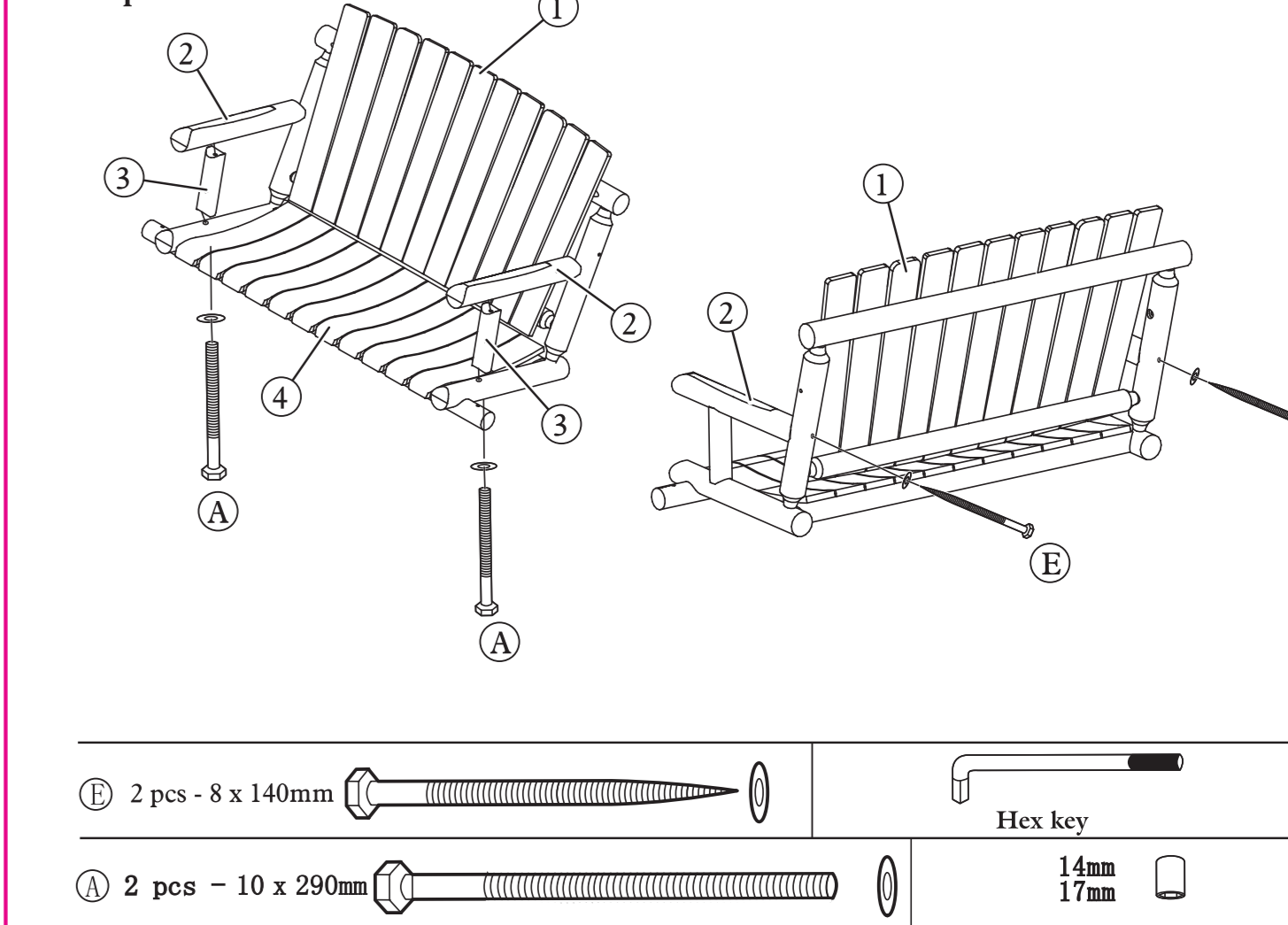
ASSEMBLY INSTRUCTIONS

Step 1



It is recommended to use a slotted screwdriver(not included) to turn the inner nut, aligning it so that the bolt can be accurately threaded in. By doing this, the bolt and nut will become securely locked together.

Step 2



285 mm