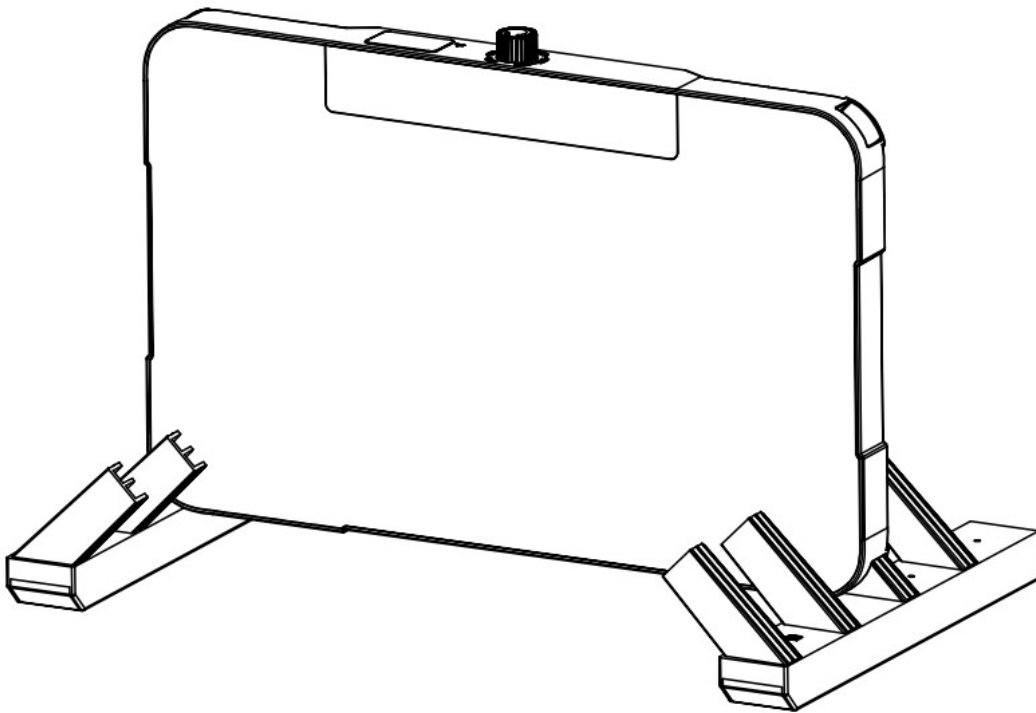


IMPECKABLES[®]

SKU#2596456 CHICKEN BROODER & COOP HEATER Instruction Manual



IMPORTANT SAFETY INSTRUCTIONS

READ AND UNDERSTAND ALL INSTRUCTIONS, SAFETY WARNINGS, BEFORE USING THE HEATER



WARNING!



! POTENTIAL FOR ELECTRICAL HAZARD IF NOT ADHERED TO!

When using this electric unit, basic safety precautions should always be followed to reduce the risk of fire, electric shock, and injury to persons, including the following:

1. Read ALL instructions before using this unit.
2. CAUTION: Risk of Electric Shock. DO NOT open or try to repair the heater yourself.
3. This heater may get hot when in use. To avoid burns, DO NOT let bare skin touch hot surfaces.
4. Keep combustible materials, such as furniture, pillows, bedding, paper, clothes, and curtains at least 3 ft from the front of the heater and keep them away from the sides, top, and rear. DO NOT place towels or other objects on the heater.
5. Extreme caution is necessary when any heater is used by or near children or the disabled, or when the heater is left operating and unattended.
6. DO NOT operate any heater with a damaged cord or after the heater malfunctions, has been dropped or damaged in any manner. Return heater to authorized service facility for examination, electrical or mechanical adjustment, or repair.
7. This heater is not intended for use in bathrooms, laundry areas and similar indoor locations. NEVER locate heater where it may fall into a bathtub or other water container. To protect against electrical hazards, DO NOT immerse in water or other liquids.
8. DO NOT touch the control panel or plug with a wet hand.
9. DO NOT run cord under carpeting. DO NOT cover cord with throw rugs, runners, or similar coverings. Arrange cord away from traffic area and where it will not be tripped over.

10. A heater has hot and arcing or sparking parts inside. DO NOT use in areas where gasoline, paint, explosive and/or flammable liquids are used or stored. Keep unit away from heated surfaces and open flames.
11. Always plug heaters directly into a wall outlet / receptacle Never use with an extension cord or relocatable power tap(outlet/power strip)
12. To avoid fire or shock hazard, plug the unit directly into a 120 V AC electrical outlet.
13. To disconnect heater, turn controls to OFF, then remove plug from outlet. Pull firmly on the plug, DO NOT unplug by pulling on the cord.
14. Always unplug the unit before moving or cleaning, or whenever the heater is not in use.
15. Use only for intended household use as described in this manual. Any other use not recommended by the manufacturer may cause fire, electric shock, or injury to persons. The use of attachments not recommended or sold by unauthorized dealers may cause hazards.
16. Always use on a dry, level surface.
17. DO NOT attempt to repair or adjust any electrical or mechanical functions on this unit. Doing so will void your warranty. The inside of the unit contains no user serviceable parts. Qualified personnel should perform all servicing only.
18. Connect to properly grounded outlets only.
19. CAUTION: To prevent electric shock, match wide blade of plug to wide slot and fully insert.

SPECIFICATIONS

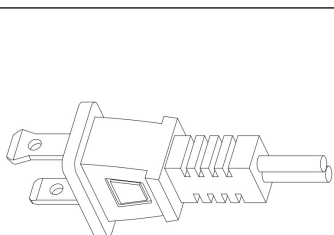
Voltage Rating	120 V~ 60Hz
Power Consumption	200W
Unit Size	20.28"W x 13.98"D x 12.68"H

SAFETY FEATURES

Overheat Safety Feature

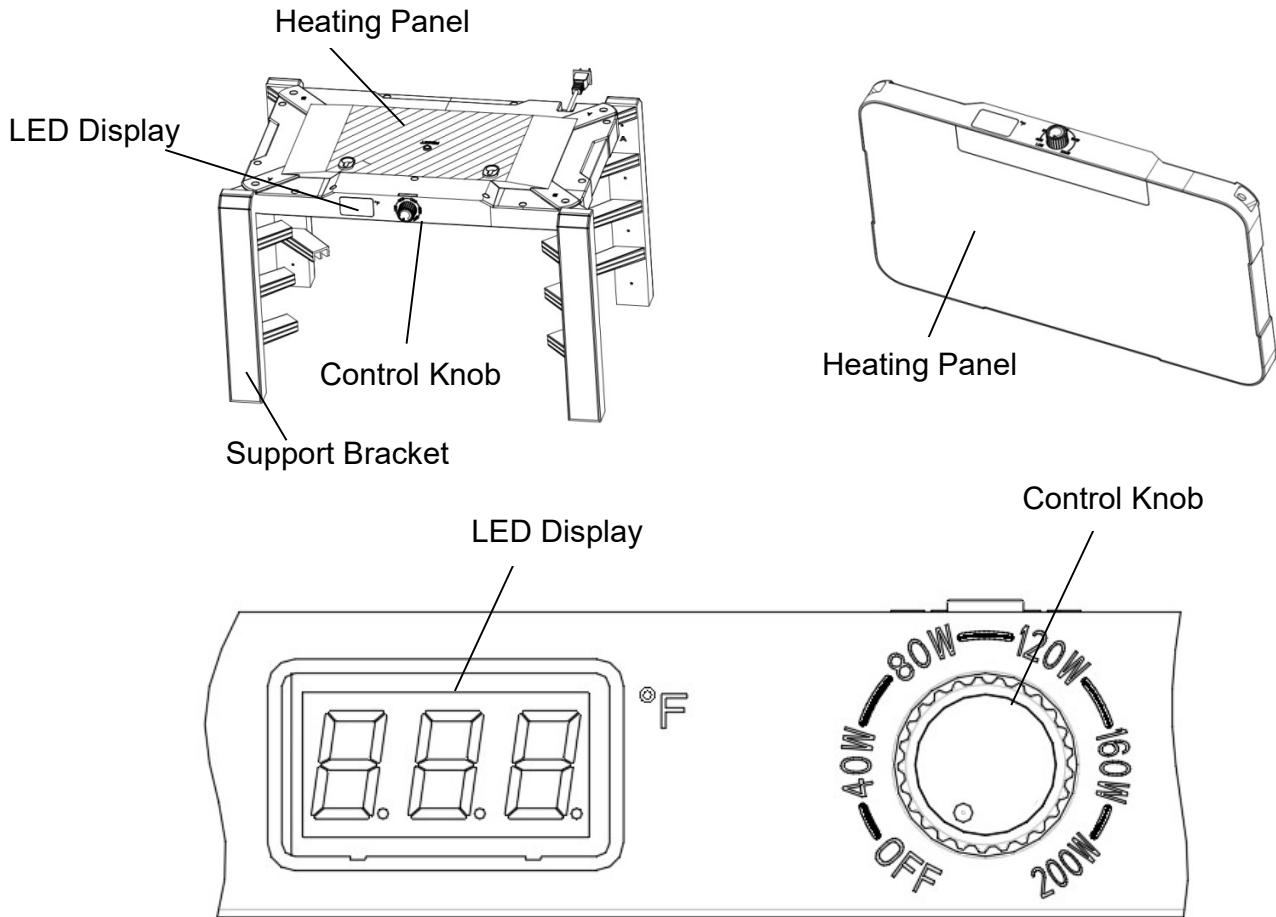
This heater is equipped with a overheat safety feature. When the heater's internal components reach a certain temperature that could cause overheat or possible fire, the heater will automatically shut off.

WARNING: It is normal for the power cord to feel warm to the touch; however, a loose fit between the outlet and the plug may cause overheating of the plug. If this occurs, try inserting the plug into a different outlet. Contact a qualified electrician to inspect the original outlet for damage.



THIS APPLIANCE HAS A POLARIZED PLUG (one blade is wider than the other). To reduce the risk of electric shock, this plug is intended to fit in a polarized outlet only one way. If the plug does not fit fully in the outlet, reverse the plug. If it still does not fit, contact a qualified electrician to install the proper outlet. DO NOT ATTEMPT TO MODIFY THIS PLUG OR DEFEAT THIS SAFETY FEATURE IN ANY WAY.

PRODUCT DIAGRAM



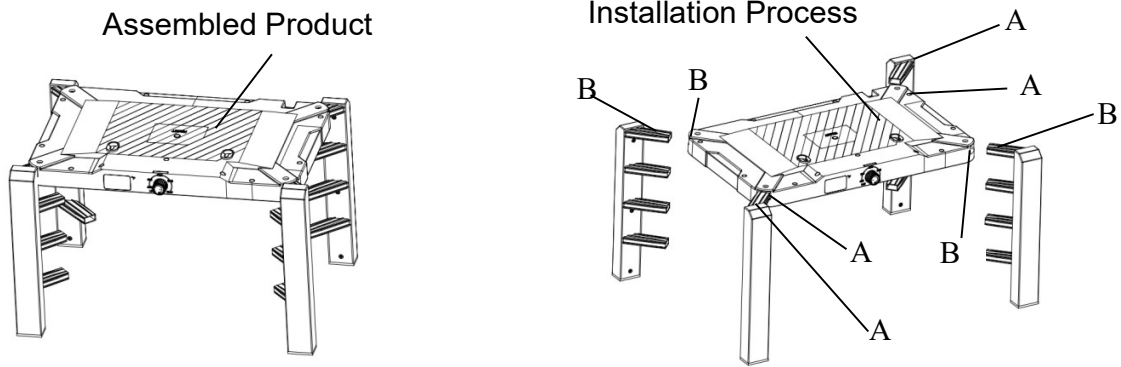
HEATER CONFIGURATION:

The chicken brooder and coop heater has been designed for three optional assembling configurations:

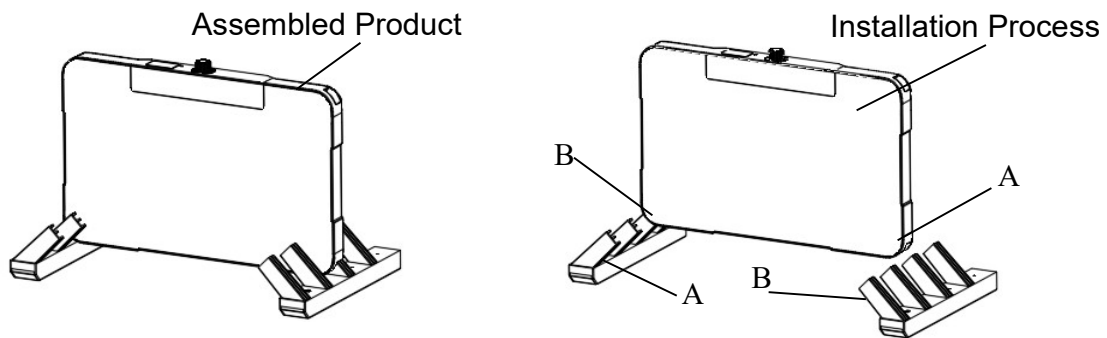
1. Floor-standing
2. Wall-mounted
3. Ceiling-mounted

1. Floor-standing:

NOTICE: There are letters "A" and "B" marked on the product's mounting holes and feet. Please install the product in accordance with the installation method described to ensure its stable operation.

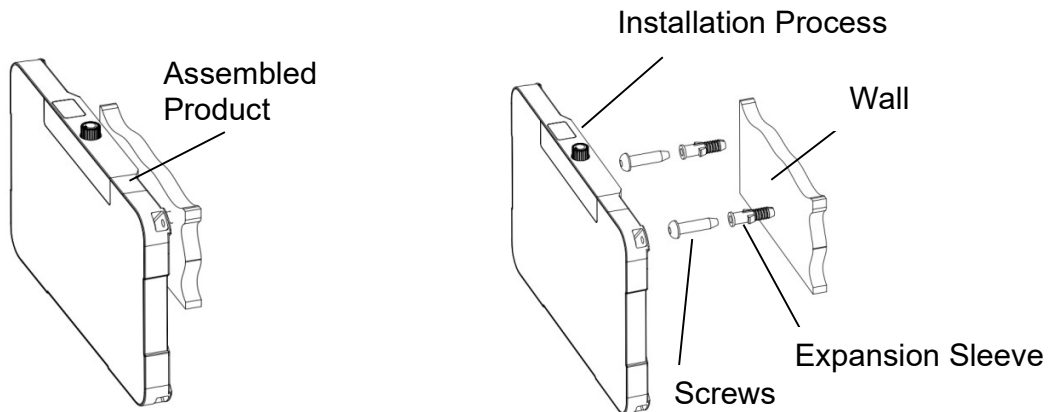


① Insert the four support brackets into the product's mounting holes respectively (A aligns with A, B aligns with B).



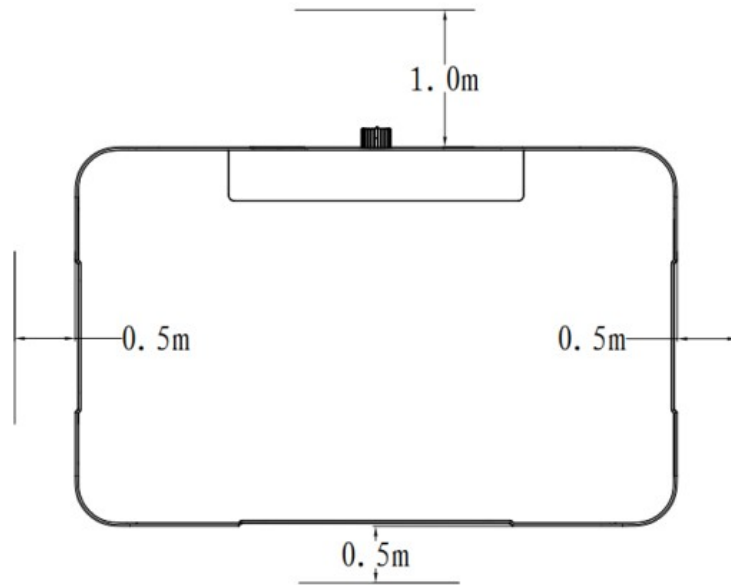
② Insert the two support brackets (3rd insertion pins for optimal stability) into the product's mounting holes respectively (A aligned with B, B aligned with A).

2. Wall-mounted



- Locate the mounting screw holes on the back of the heater.
- Measure the distance from the center of each hole.
- Locate a solid mounting surface on the wall and mark location using the measurements taken from the mounting screw holes on the back of the panel.
- Install two screws or nails and then hang panel on screws or nails.

screws or nails need to be purchased separately



To prevent fire, no other furniture shall be placed above the heater. The minimum distance from the wall is as below details.

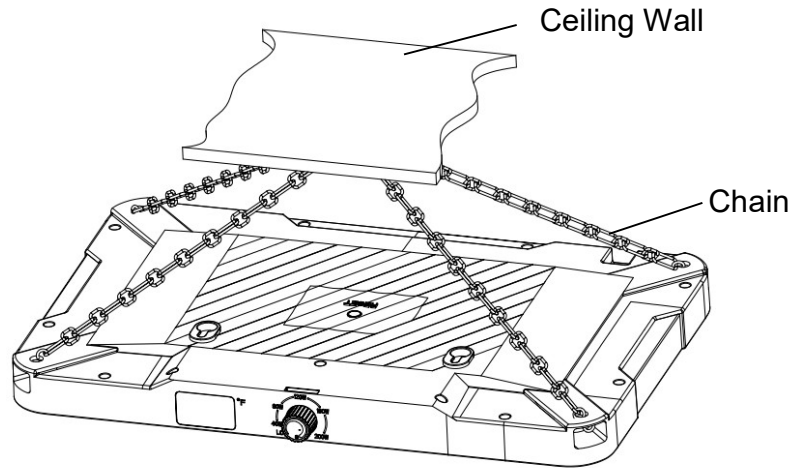
Up distance	1.0m
Down distance	0.5m
Left distance	0.5m
Right distance	0.5m

Warning: Before drilling in this area, check the wall to ensure there are no electrical wires, pipes, or other such objects inside.

Warning: Do not plug in the product before mounting it on the wall.

Warning: The heater must not be fixed to a hollow wall. It must be installed on a solid, sturdy wall.

3. Ceiling-mounted



Note: Chains are not included with this kit. To use it in this configuration, please purchase a small chain and attach one end to the four corners of the panel (as shown in the figure).

Attach one end of the four chains to a single connector on the wall (top). Then attach the other end to the round holes on top of the housing of the chicken brooder and coop heater you intend to use. Height adjustment needs to be achieved by adjusting the length of the chains.

OPERATING INSTRUCTIONS

1. Plug into a standard 120V AC 60 Hz source. Check that neither the heater nor the power cable has been damaged in any way during transportation before the first use. Place the heater on a firm surface, at least 0.5 m (1.64 ft) away from any wall or any other objects. After power-on, it will display in "---".
2. Rotate the knob to select the power level, the led display will show the product surface temperature in Fahrenheit.

NOTE: Different power correspond to different heating rates. Please adjust the heating power appropriately based on environmental temperature and ventilation conditions.

3. This product is equipped with an automatic temperature limiter and energy-saving system. In case of continuous temperature rise and potential overheating, the built-in overheating protection device also will cut off the power to ensure safety.
4. When the temperature limiter has activated and the heating wire circuit is disconnected, the LED display will show an E1 error alarm. Unplug the power cord and allow the unit to cool down for few minutes. Press the reset button and reconnect the power cord to manually reset the temperature limiter. Once the heating wire circuit is reconnected, the LED display shows the current temperature again.
5. After power-on or during product operation: if the sensor is disconnected or short-circuited in fault condition, the LED display shows an E3 or E4 error alarm, and the unit stops heating. Whether the power has not been cut off or the unit is restarted after re-powering on, you can always apply this rule.
6. To stop using the unit, rotate the knob to the OFF position to stop heating, unplug the power cord, and allow the unit to cool down completely.

MAINTENANCE

1. Turn off the heater.
2. Unplug the unit and let it cool completely.
3. To keep the heater clean, the outer shell may be cleaned with a soft, damp cloth. You may use a mild detergent if necessary. After cleaning, dry the unit with a soft cloth. DO NOT let liquid enter the heater.
4. DO NOT use alcohol, gasoline, abrasive powders, furniture polish, or rough brushes to clean the heater. This may cause damage or deterioration to the surface of the heater.
5. DO NOT immerse the heater in water.
6. Wait until the unit is completely dry before use.

TROUBLESHOOTING

If the heater will not operate, please check the following before seeking repair advice:

1. Check if the power cord is plugged into an electrical outlet.
2. Check if electricity to the outlet is working.
3. Ensure power is turned on.
4. See SAFETY FEATURES section for additional information.
5. Overheat protection function may have been triggered. To restart the heater, unplug it to cool for 5-15minutes, then press the reset button and plug in. Make sure the obstruction removed before restarting.

STORAGE

Store the heater in a cool, dry location when not in use. To prevent dust and dirt build-up, use the original packaging to repack the unit.

Distributed by: TRACTOR SUPPLY COMPANY
5401 VIRGINIA WAY, BRENTWOOD, TN 37027
For customer support, call: 1-888-376-9601
www.TractorSupply.com
MADE IN VIETNAM