



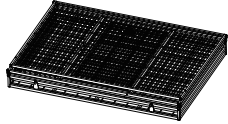
# RET HEAVY DUTY TUBE DOG CRATE INSTRUCTION MANUAL

For Model:2596406



For safety, remove leash and collar before allowing pet to enter the crate.

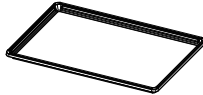
## Components



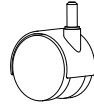
Body panel X1



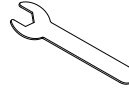
Top panel X1



Crate pan X1



Wheel X4



Open-end  
wrench X1



Thumb  
screw X10

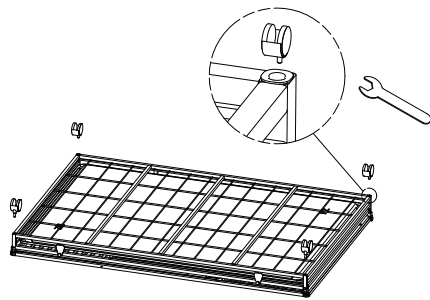


Rubber-coated  
screw X2

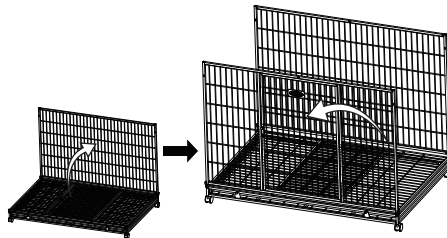


Stopper  
Plate  
X2

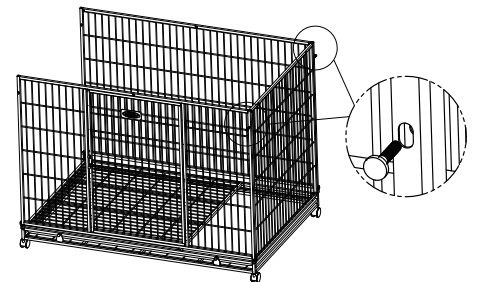
## Assembly Instructions (Pictures may vary from actual product)



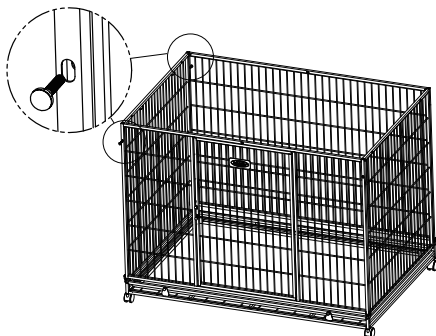
**STEP 1.** Using an open end wrench, install 4 wheels at bottom four corners.



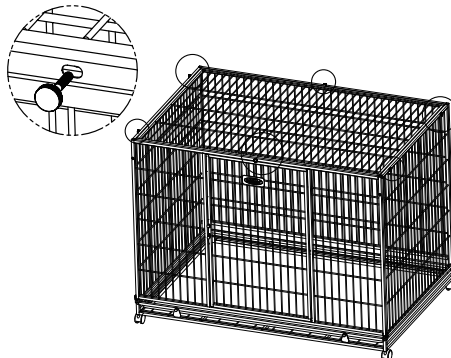
**STEP 2.** Pull sides panel upwards until they are vertical.



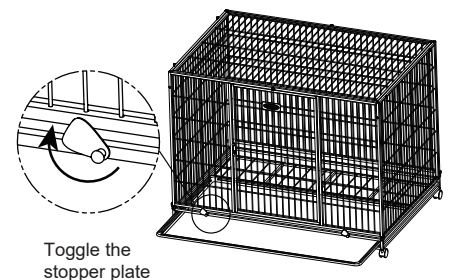
**STEP 3.** Attach the right piece to the front and back panel by thumb screws.



**STEP 4.** Attach other panels like step 3.



**STEP 5.** Place the top panel, install and tighten thumb screws.



**STEP 6.** Install the stopper plate, then install the rubber-coated screws. Toggle the stopper plate to take out and put in the tray.

## 1 YEAR LIMITED WARRANTY

Warranty covers any defects in materials used to manufacture your product, defects in workmanship under normal use, and any broken components under normal use.

The company will provide replacement parts for any broken parts, the product will be exchanged with a new product, or the price of product will be refunded.

To obtain warranty service call 1-888-376-9601 along with description of item and model number if available.

This warranty gives you specific legal rights, and you may also have other rights which may vary from state to state.

## Recommended for Crating Trained Pets

Retriever crates are designed and made for safety and security.

However, it is not recommended to leave an untrained pet in a crate.

Distributed by:  
TRACTOR SUPPLY COMPANY  
5401 VIRGINIA WAY  
BRENTWOOD, TN 37027  
For customer support,  
call:1-888-376-9601  
www.TractorSupply.com  
MADE IN CAMBODIA