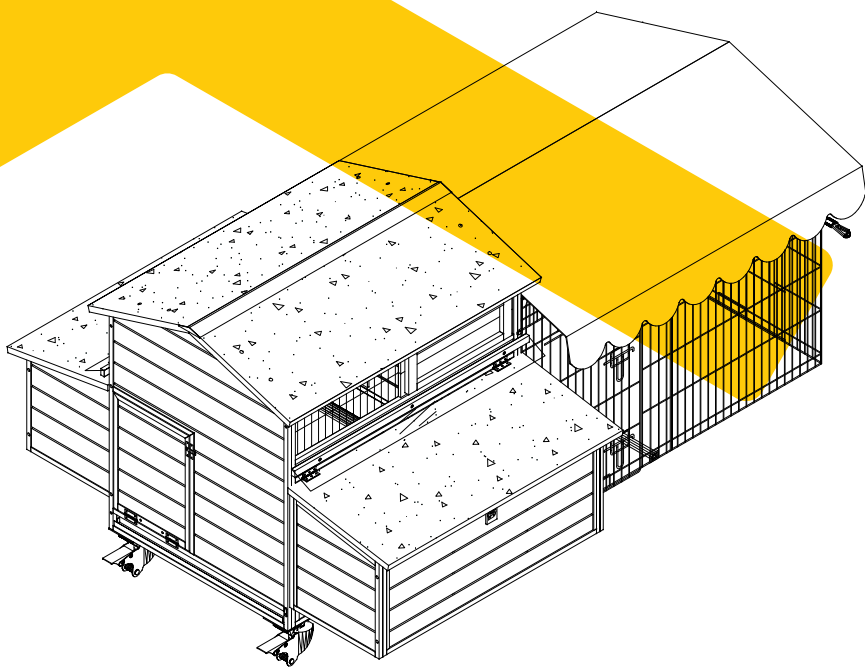


INSTRUCTION MANUAL

AIR 7019





NOTICE

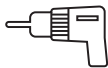
Please retain these instructions for future reference.

- Firmly secure all bolts,screws and knobs before use.
- Reconfirm that all bolts,screws,and knobs are secure every 90 days.
- Fasten screws loosely during initial assembly. Do not fully tighten screws until the item is completely assembled.
- Do not use or store this item in the proximity of open flame or flammable/combustible chemicals.
- Be aware that some parts are heavy and have sharp edges.
- Be aware that moving parts can injure,crush and cut.
- If any parts are missing,broken,damaged,or worn,stop using this product until repairs are made and/or factory replacement parts are installed.
- Do not use this item in a way inconsistent with the manufacturer's instructions as this could void the product warranty.

TOOLS REQUIRED //



PHILLIPS
SCREWDRIVER



DRILL
(RECOMMENDED)



2PERSON
ASSEMBLY



APPROXIMATELY
90MIN. ASSEMBLY

HARDWARE //

M6.0x30mm BOLT
2PCS+1spare



P1

M6.0x14mm BOLT
6PCS+1spare



P2

M6.0x14mm BOLT
22PCS+1spare



P3

M5.0x20mm BOLT
24PCS+1spare



P4

M5.0x12mm BOLT
6PCS+1spare



P5

M3.5x45mm SCREW
4PCS+1spare



P6

M3.5x35mm SCREW
20PCS+1spare



P7

M3.0x18mm SCREW
8PCS+1spare



P8

HARDWARE

M3.0x16mm SCREW
30PCS+1spare



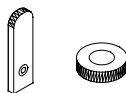
P9

M3.0x12mm SCREW
4PCS+1spare



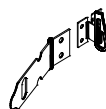
P10

Tray positioning iron piece
1 PC



P11

Lock
2PCS



P12

Door latch
2PCS



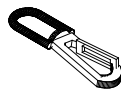
P13

M4.0x12mm BOLT
8PCS+1spare



P14

Lock
3PCS



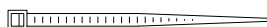
P15

Hook
5PCS



P16

Ties
10PCS



P17

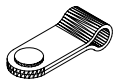
Brake casters
2PCS



P18

HARDWARE

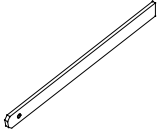
Metal buckle
4PCS+1spare



P19

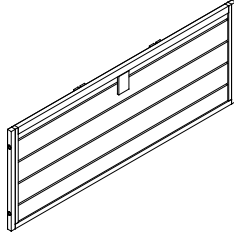
CARTON 1/2

Wooden support pole
2PCS



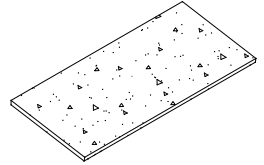
D

Panel of nesting box(Front)
2PCS



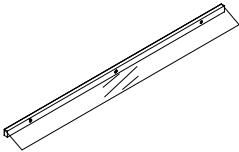
I

Roof of nesting box
2PCS



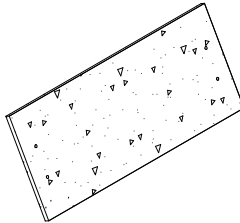
L

Waterproof panel of nesting
box
2PCS



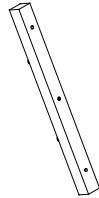
M

Roofs
2PCS



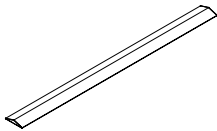
N

Roof supporter
4PCS



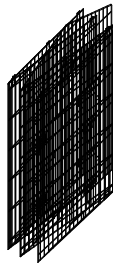
O

Roof cap
1PC



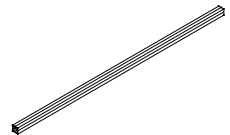
P

Folding chicken run
1PC



Q

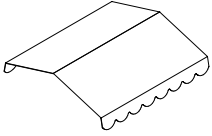
Supporting bar for chicken
run
1PC



R

PARTS //

Tarp roof cover
1PC



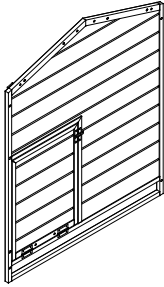
S

Hardware bag



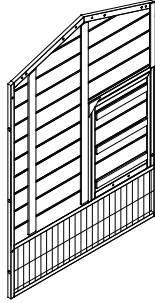
CARTON 2/2

Front panel
1PC



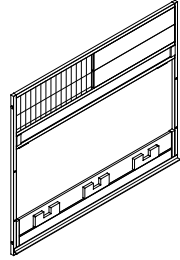
A

Back panel
1PC



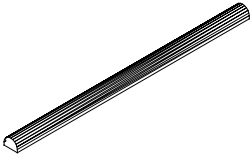
B

Left / Right side panel
2PCS



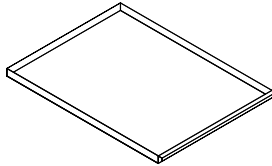
C

Perches
3PCS



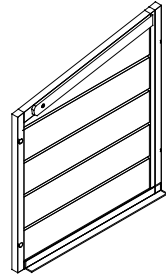
E

Tray
1PC



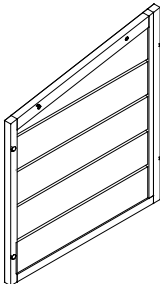
F

Panel of nesting box(Left)
2PCS



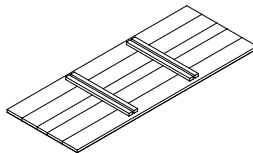
G

Panel of nesting box(Right)
2PCS



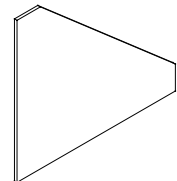
H

Panel of nesting box
(Bottom)
2PCS



J

Divider
4PCS

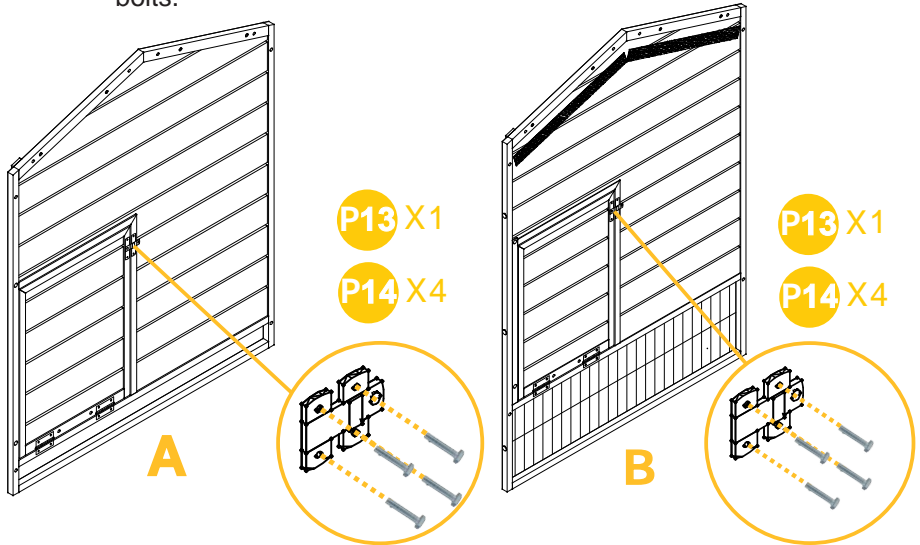


K

PRODUCT ASSEMBLY //

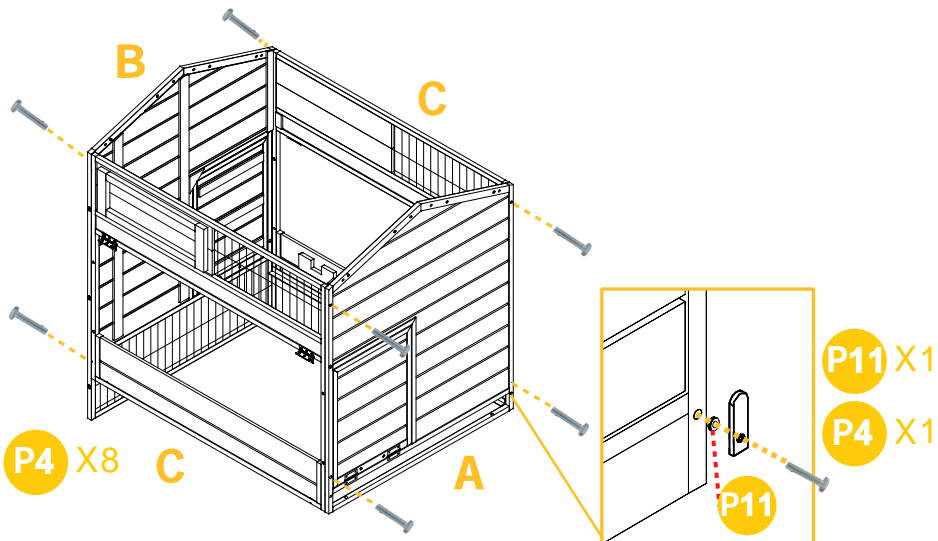
01

Attach the Door Latch P13 to Part A (Front Panel) by 1xP13 and 4xP14 bolts.
Attach the Door Latch P13 to Part B (Back Panel) by 1xP13 and 4xP14 bolts.



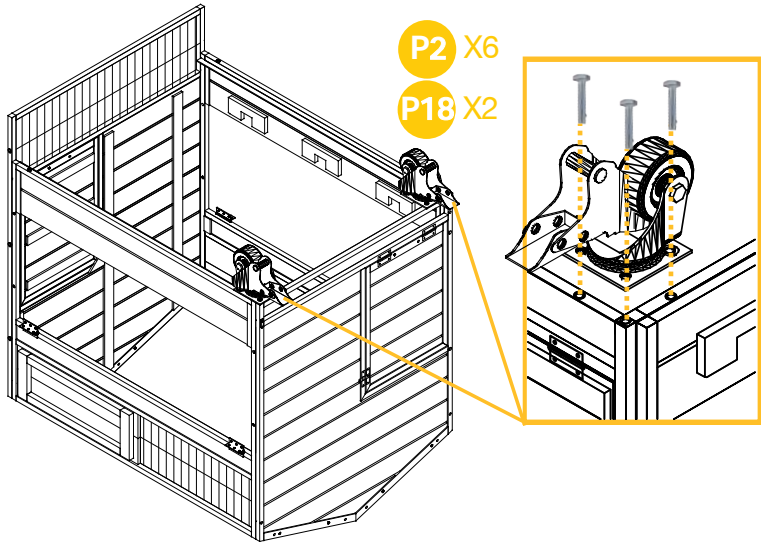
02

Attach the Part C & Part D by 8xP4 bolts.
Insert P4 through P11 and secure it at Part A.

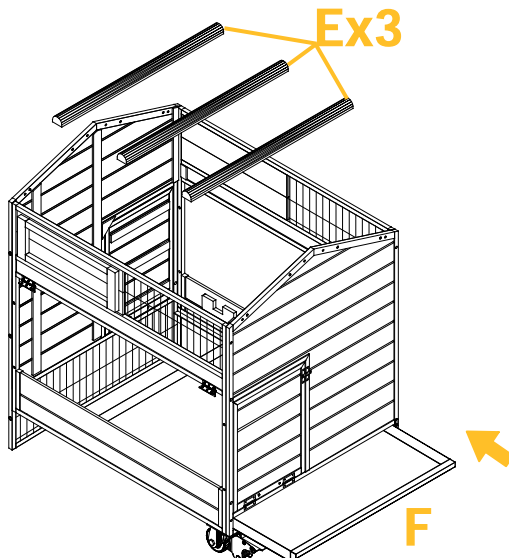


PRODUCT ASSEMBLY //

03 Attach the wheels Part 18 to Part A by 3xP2 bolts each side.

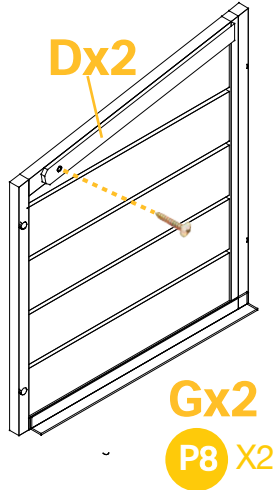


04 Insert 3PCS perches Part E into the slots inside two side panels. Slide in tray Part F in side.

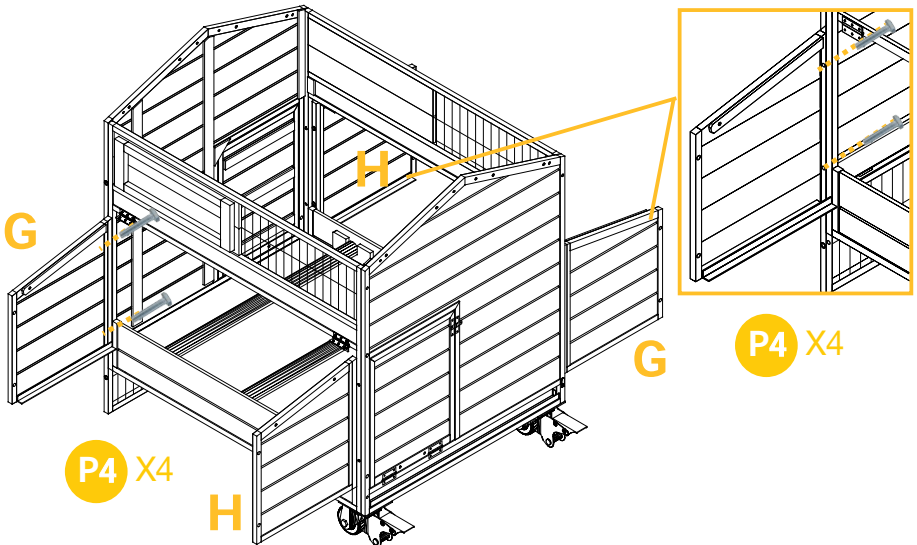


PRODUCT ASSEMBLY //

05 Attach the Part D to Part G by 1xP8 screws each side.

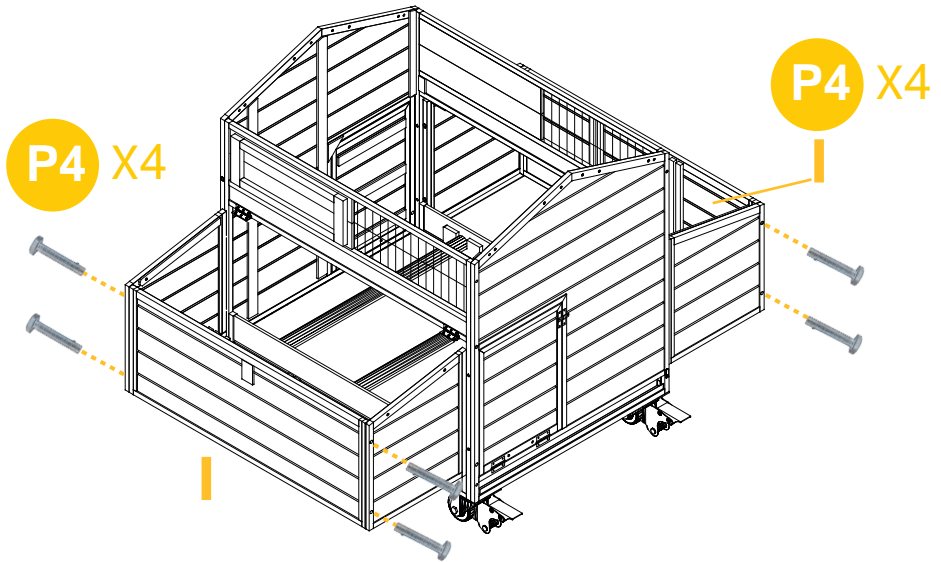


06 Attach the side panel of nesting box Part G & H to coop by 4 xP4 bolts. each side.(Notice the direction of Part G & Part H)

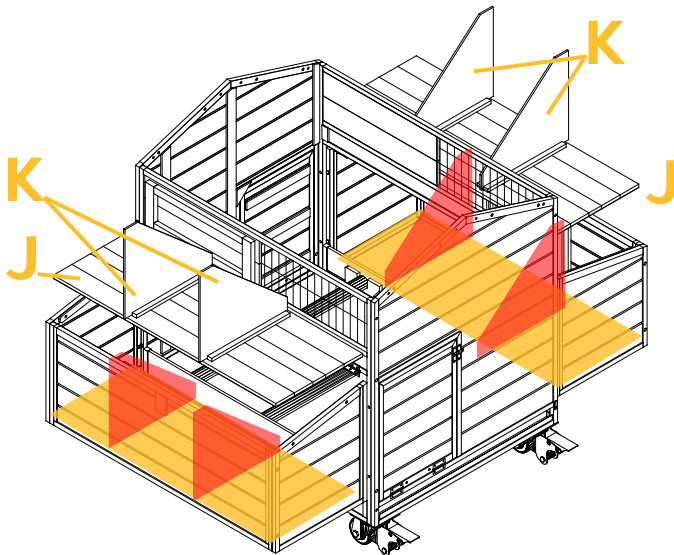


PRODUCT ASSEMBLY //

- 07** Attach the front panel of nesting box I to the coop by 4xP4 bolts each side.

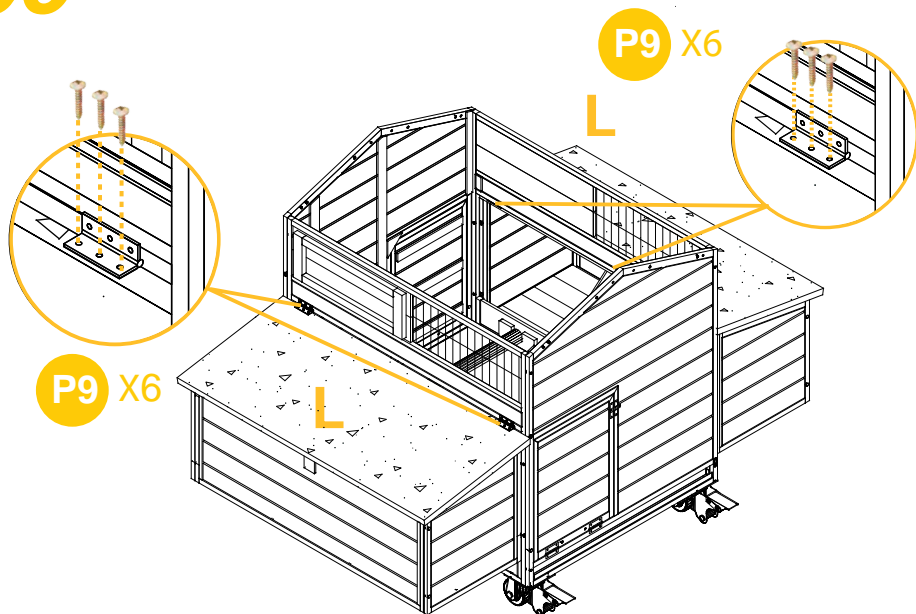


- 08** Insert the divider Part K into the slots of bottom floor Part J. Drop in the bottom floor Part J to the nesting box each side.

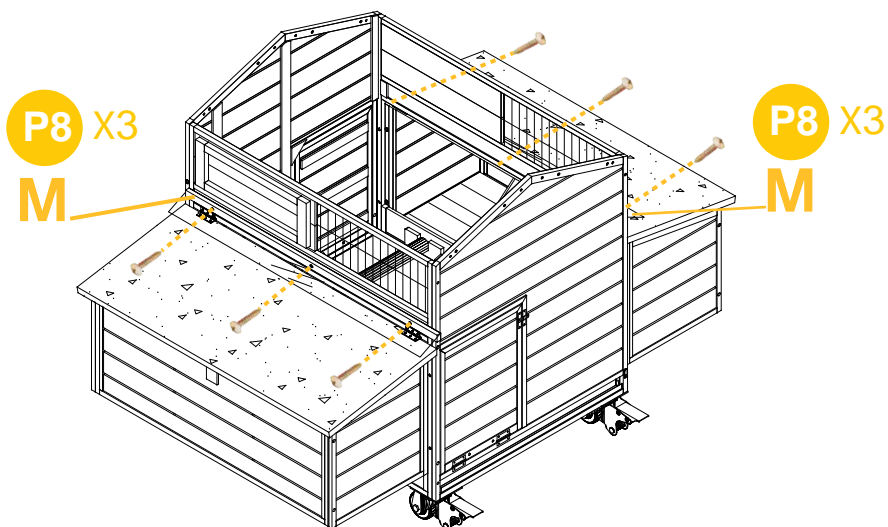


PRODUCT ASSEMBLY

09 Attach the nesting box roof Part P by 6xP9 screws each side.



10 Attach Waterproof panel of nesting box Part M by 3xP8 screws each side.

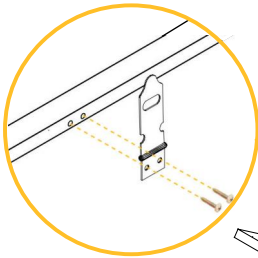


PRODUCT ASSEMBLY //

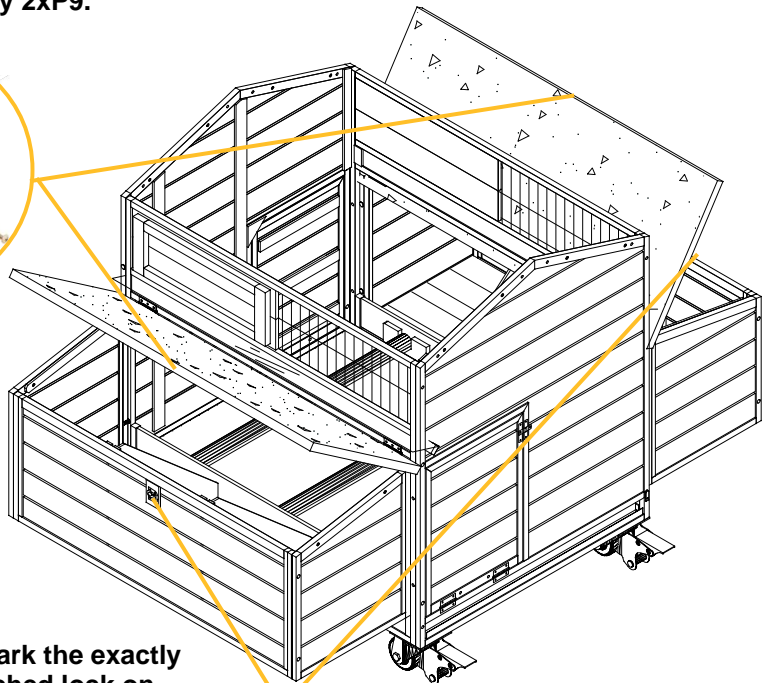
11

Pls reference below 4 steps to screw the lock P20.

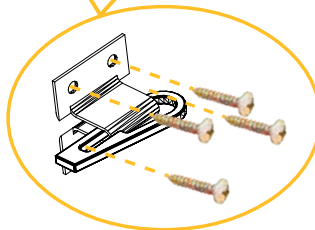
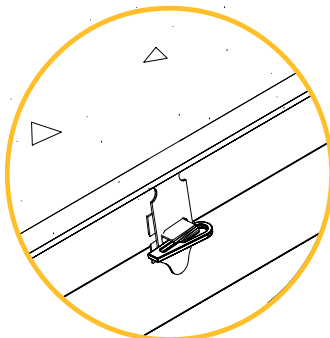
Pls exact locate the pre drilled holes on the roof side to screw the part of lock by 2xP9.



P9 X2



Close the roof to mark the exactly position of the matched lock on front panel.



P12 X1

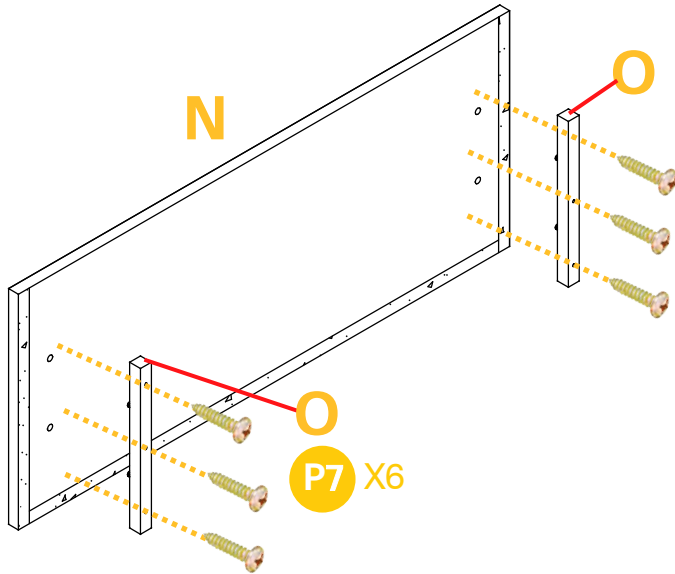
P9 X4

Screw the matched lock to the front panel in mark position by 4xP9 screws each.

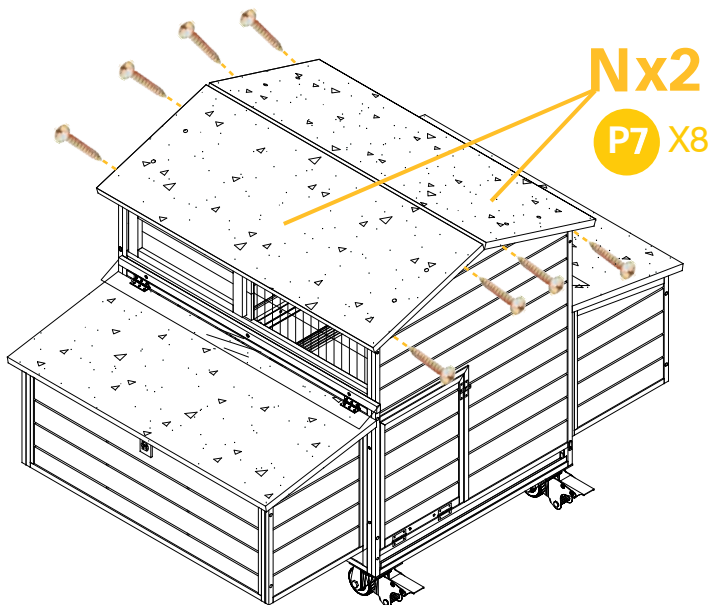
Close roof to make sure the 2 sides lock can match to work well. If not , pls re-screw and adjust.

PRODUCT ASSEMBLY //

12 Attach the Part O to Part N by 6xP7 screws.

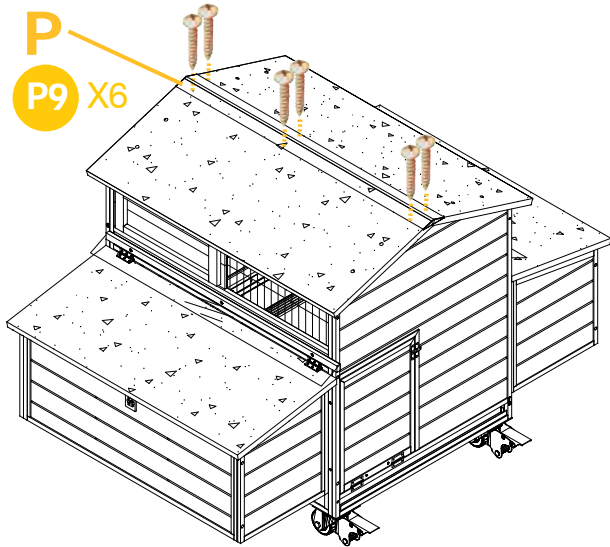


13 Attach roof panels 2xPart N to the coop by 8xP7 screws.

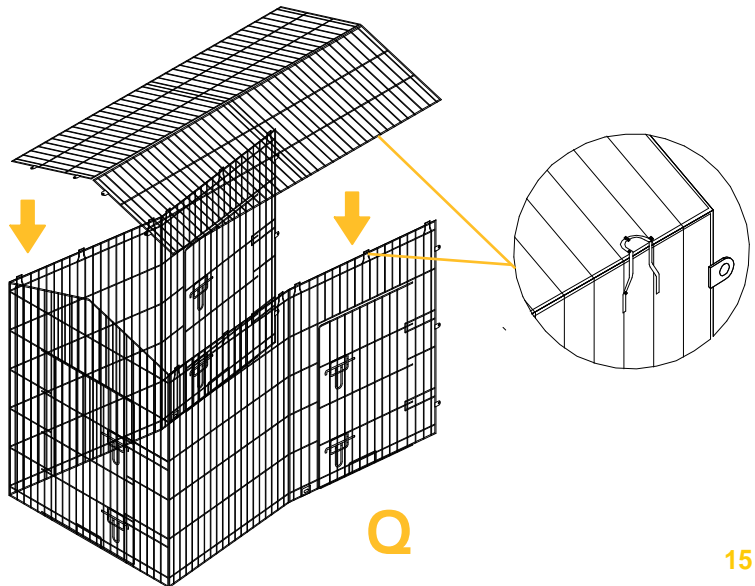


PRODUCT ASSEMBLY //

14 Attach the roof cap Part P by 6xP9 screws.

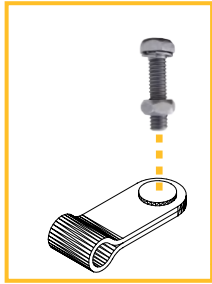


15 Open the chicken run Part Q, then attach the run roof.



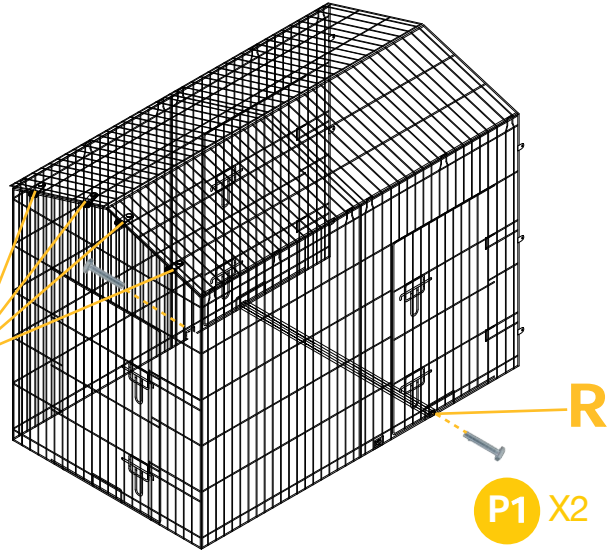
PRODUCT ASSEMBLY //

- 16** Attach supporting bar Part R to chicken run by 2xP1 bolts. Use the metal buckle P3 to connect the wire roof and side panel together by 4xP19 bolts.



P3 X4

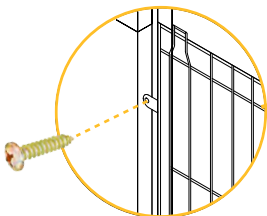
P19 X4



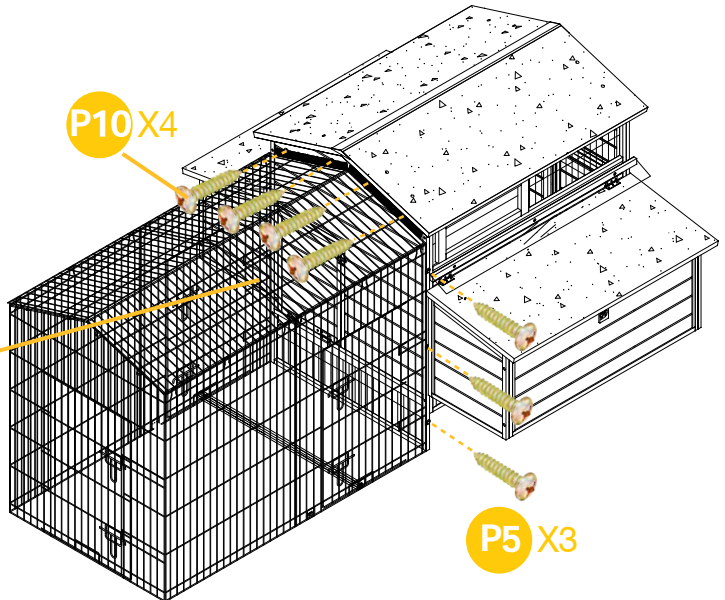
P1 X2

- 17** Attach the run to coop by 4xP10 & 6xP5 screws.

P10 X4



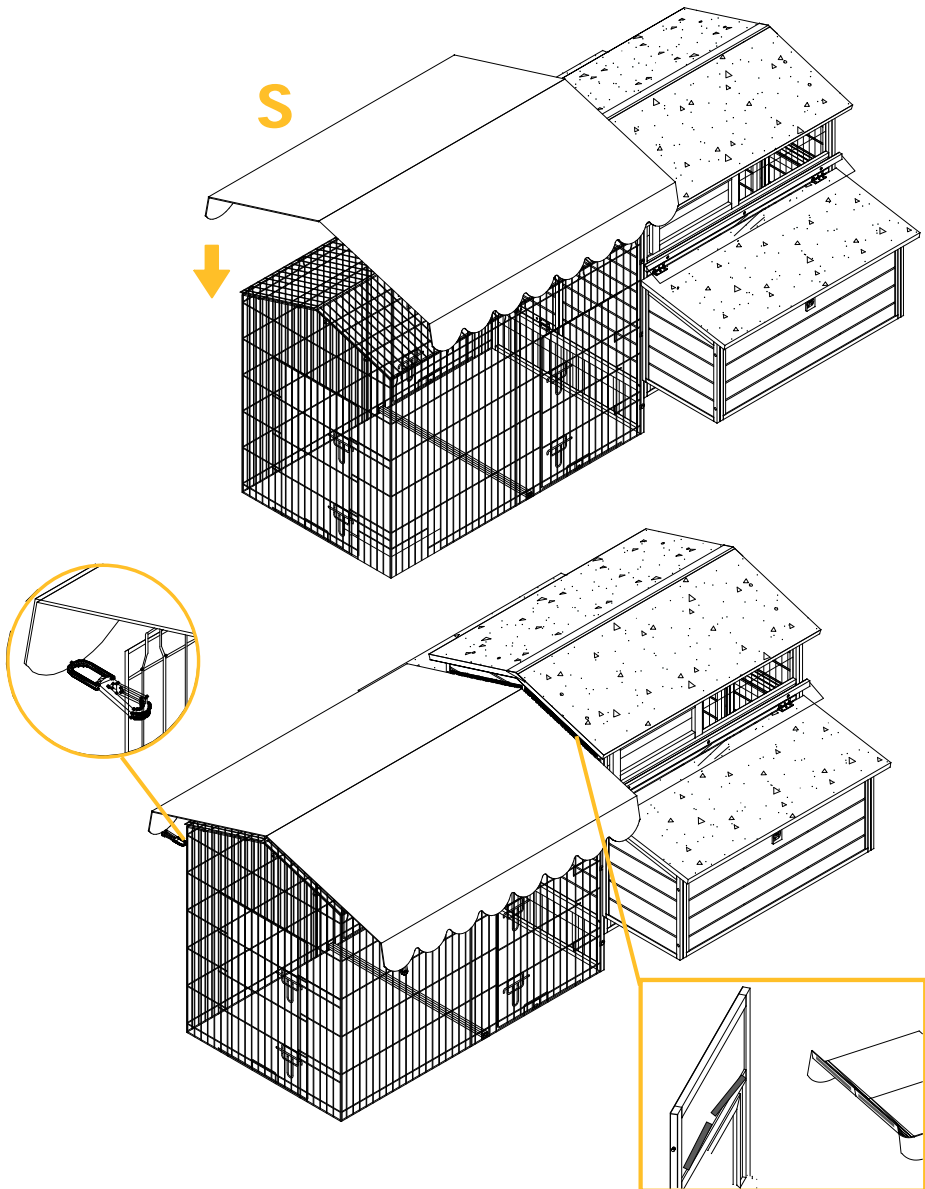
P5 X3



P5 X3

PRODUCT ASSEMBLY //

18 Cover with waterproof cover Part S, Pls note that the location of Velcro close to coop.

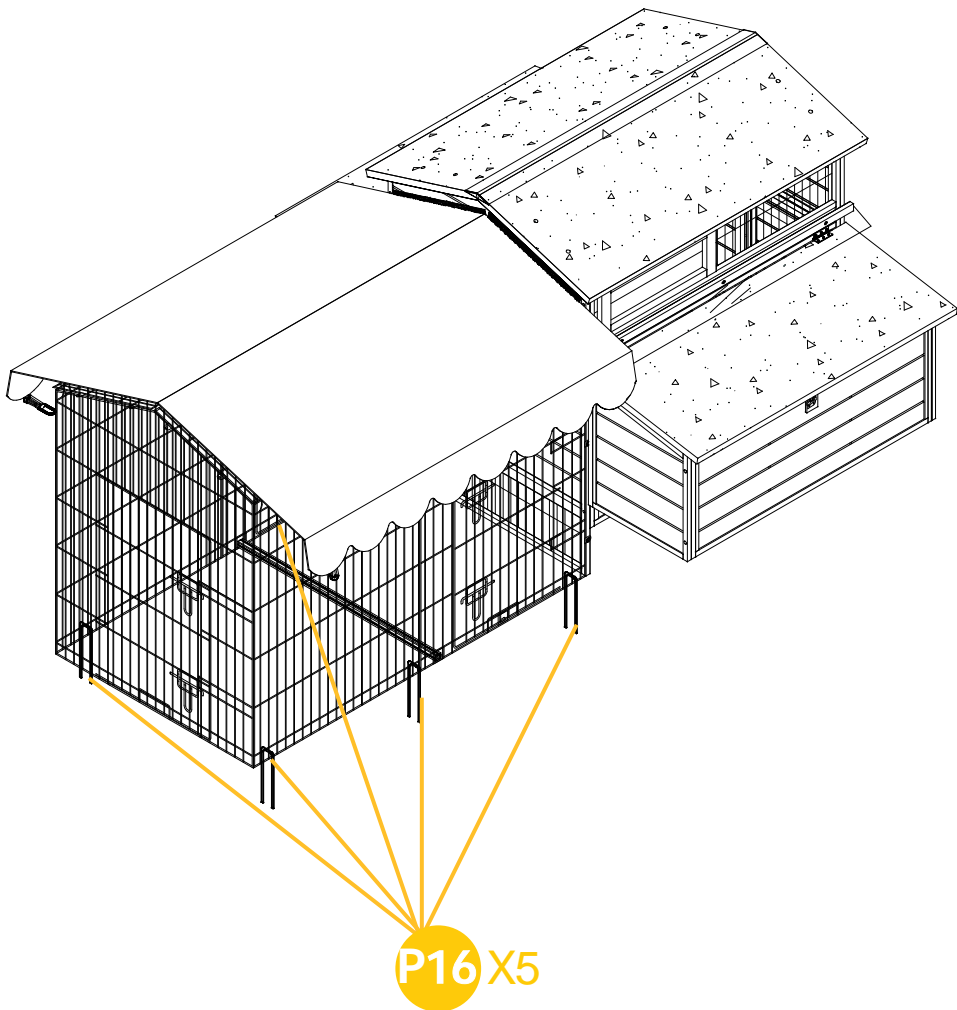


17

cover to the stick the cover to the coop

PRODUCT ASSEMBLY //

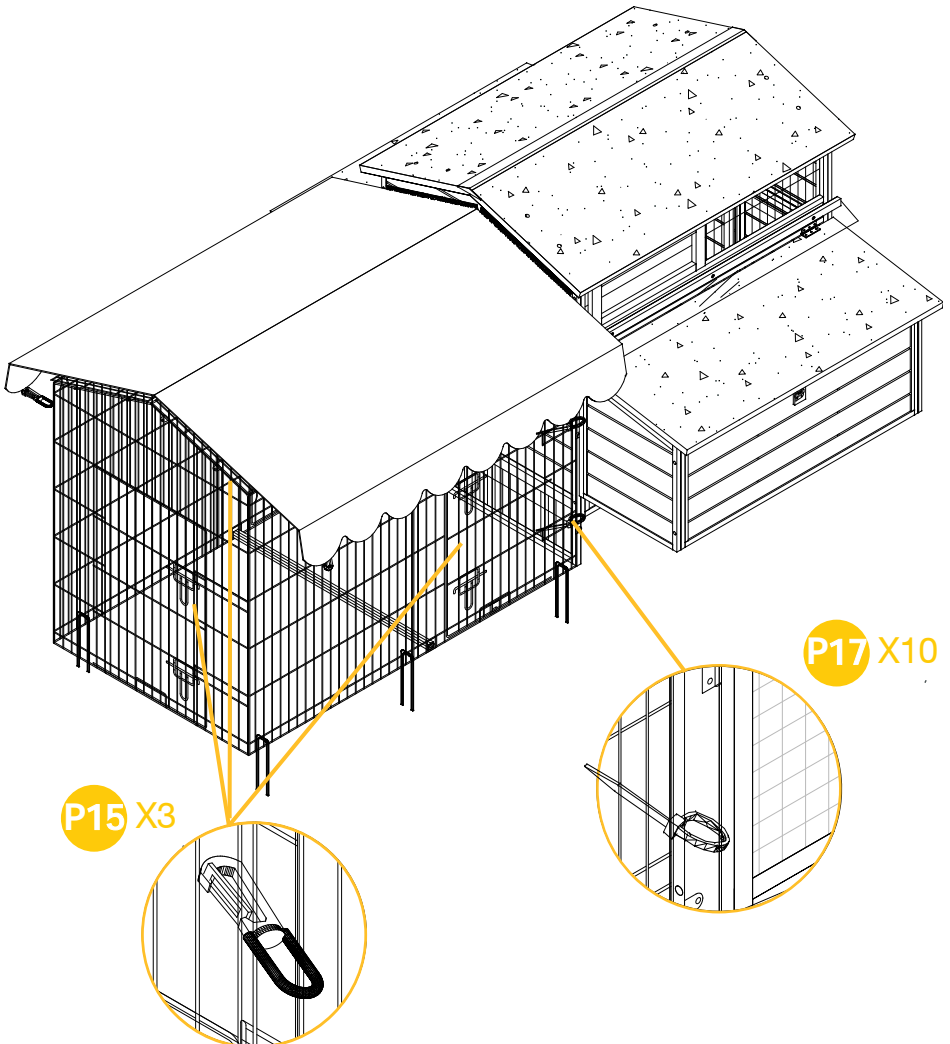
19 Use Hook P16 to secure the chicken run to the ground.



PRODUCT ASSEMBLY //

20

Use 3xP15 to lock the 3 doors of chicken run.
You can securely fasten the coop using tie P16 if you wish.



P15 X3

P17 X10

Finish here for only buying one coop

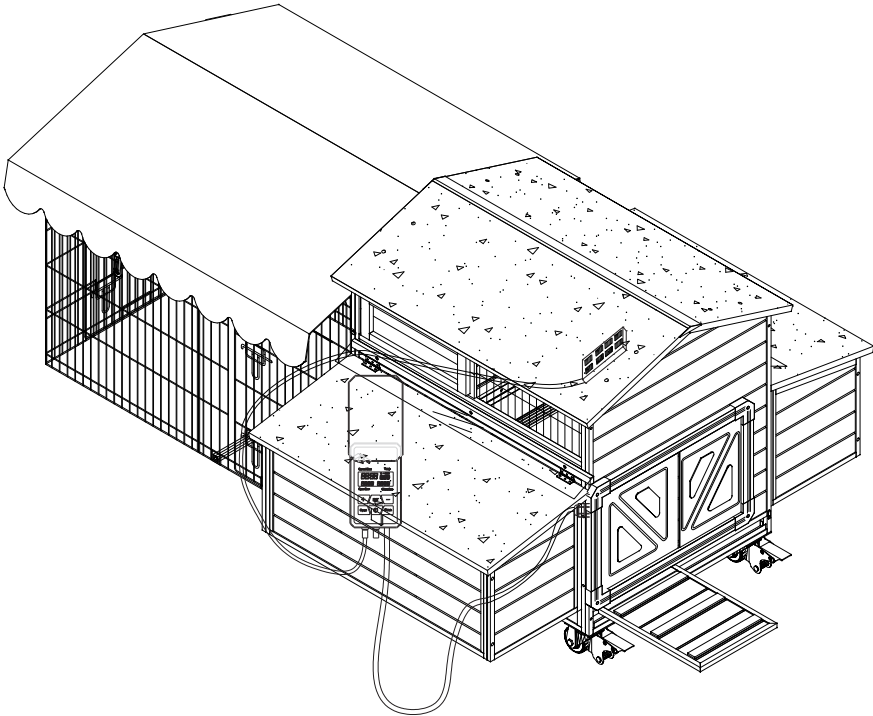
Notice

Read Before Assemble!

Pls ignore the following for only one coop owner without automatic chicken coop door.

Option 1

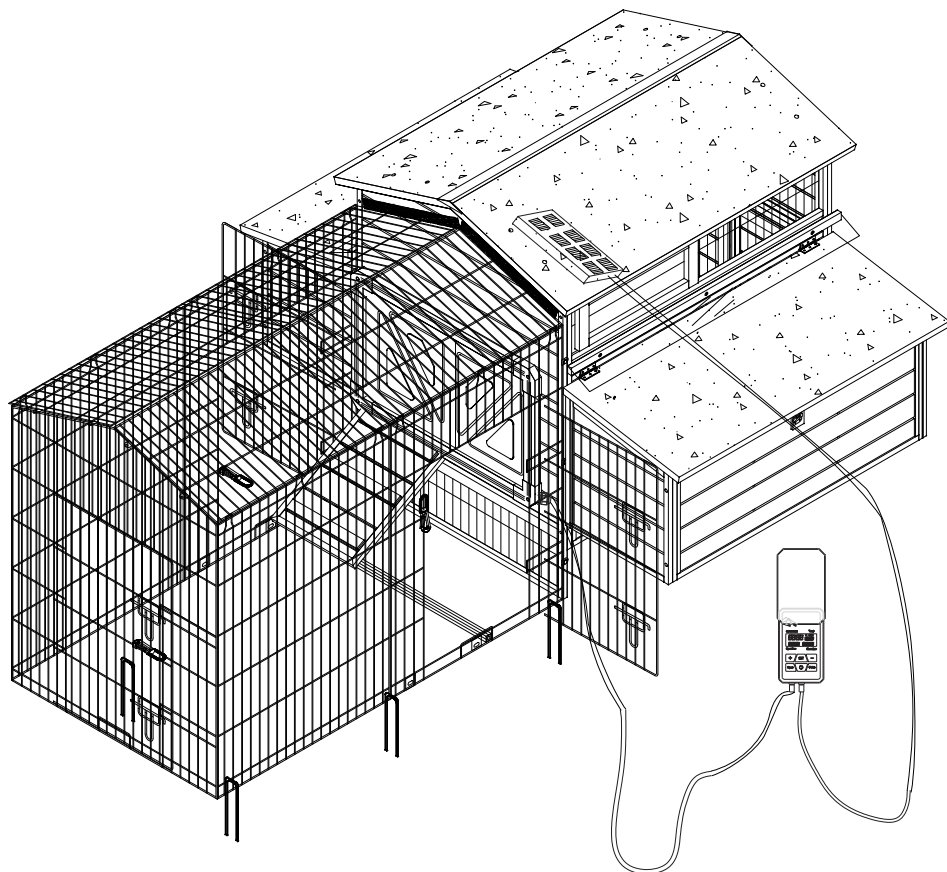
The Front panel is connected to the automatic chicken door.



Notice
Read Before Assemble!

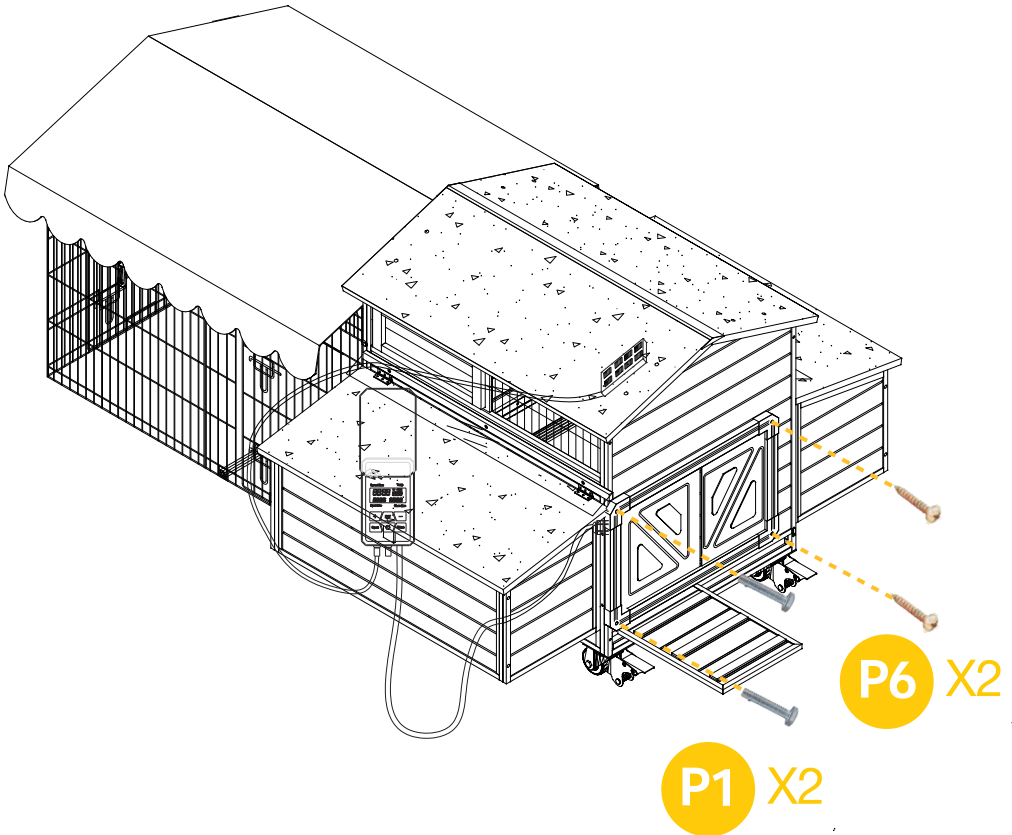
Option 2

The Back panel is connected to the automatic chicken door.



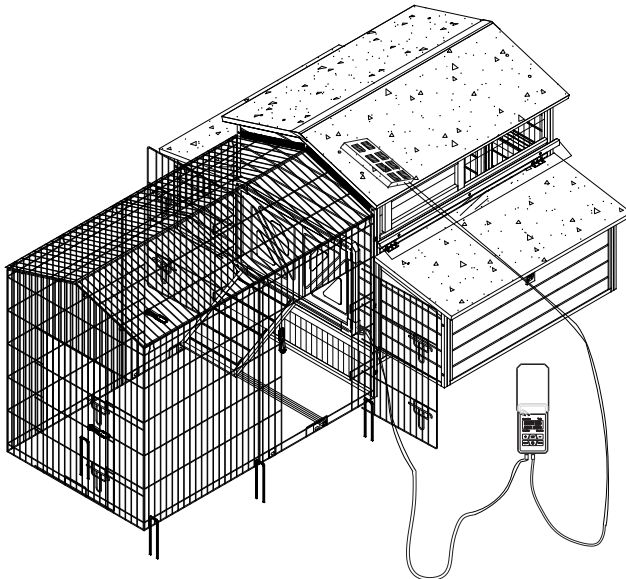
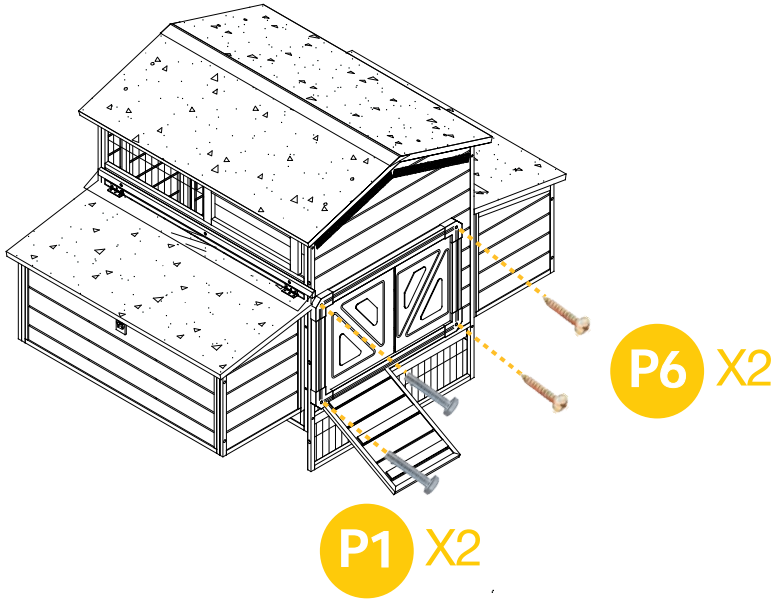
PRODUCT ASSEMBLY //

- 21** Attach the automatic chicken coop door to the Front panel by 2xP1 bolts & 2xP6 screws.
(P1 is from the automatic chicken coop door parts package)



PRODUCT ASSEMBLY //

22 Attach the automatic chicken coop door to the Back panel by 2xP1 bolts & 2xP6 screws.





WARNING

Manufacturer and seller expressly disclaim any and all liability for personal injury, property damage or loss, whether direct, indirect, or incidental, resulting from the incorrect attachment, improper use, inadequate maintenance, or neglect of this product.