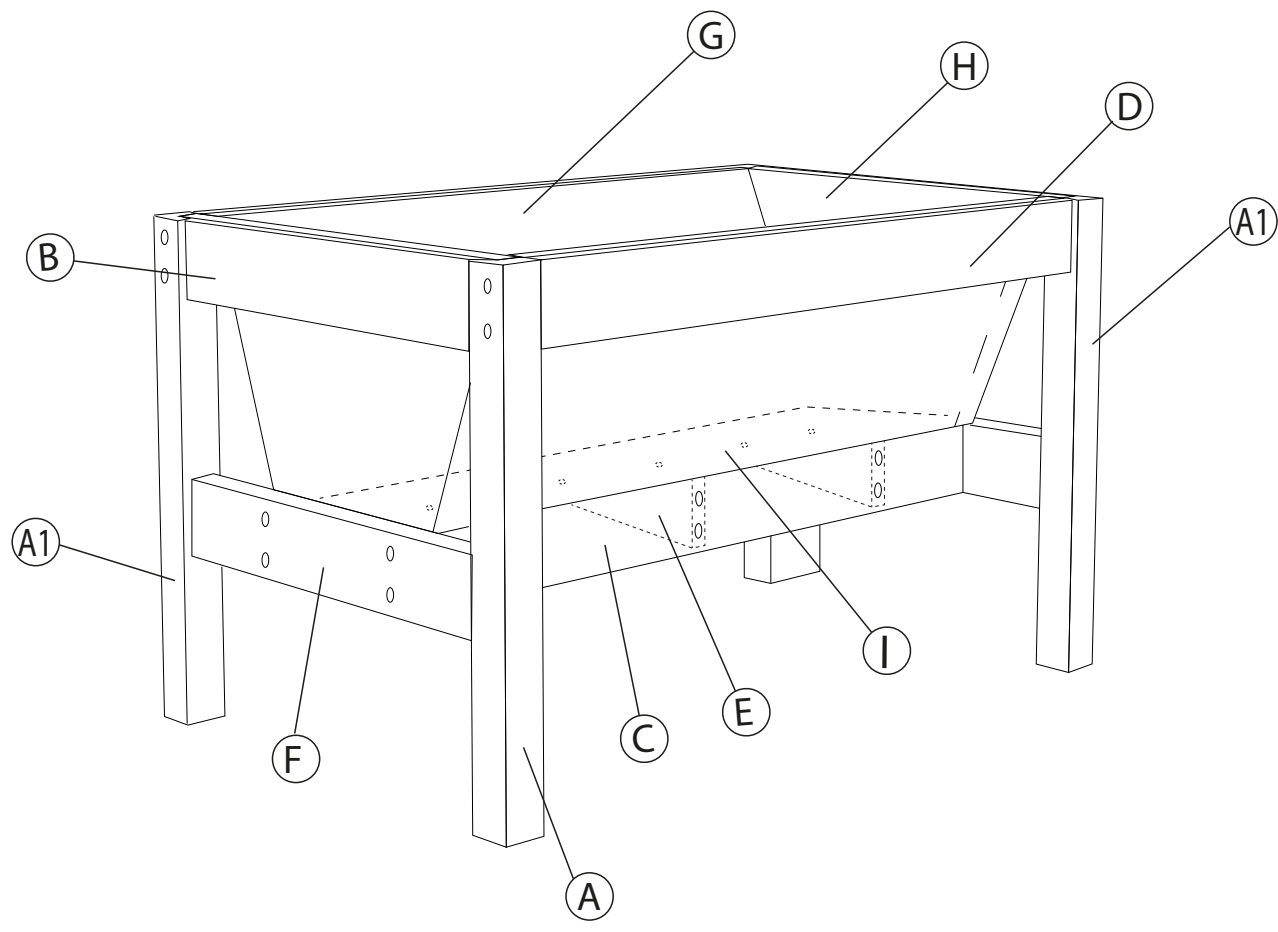
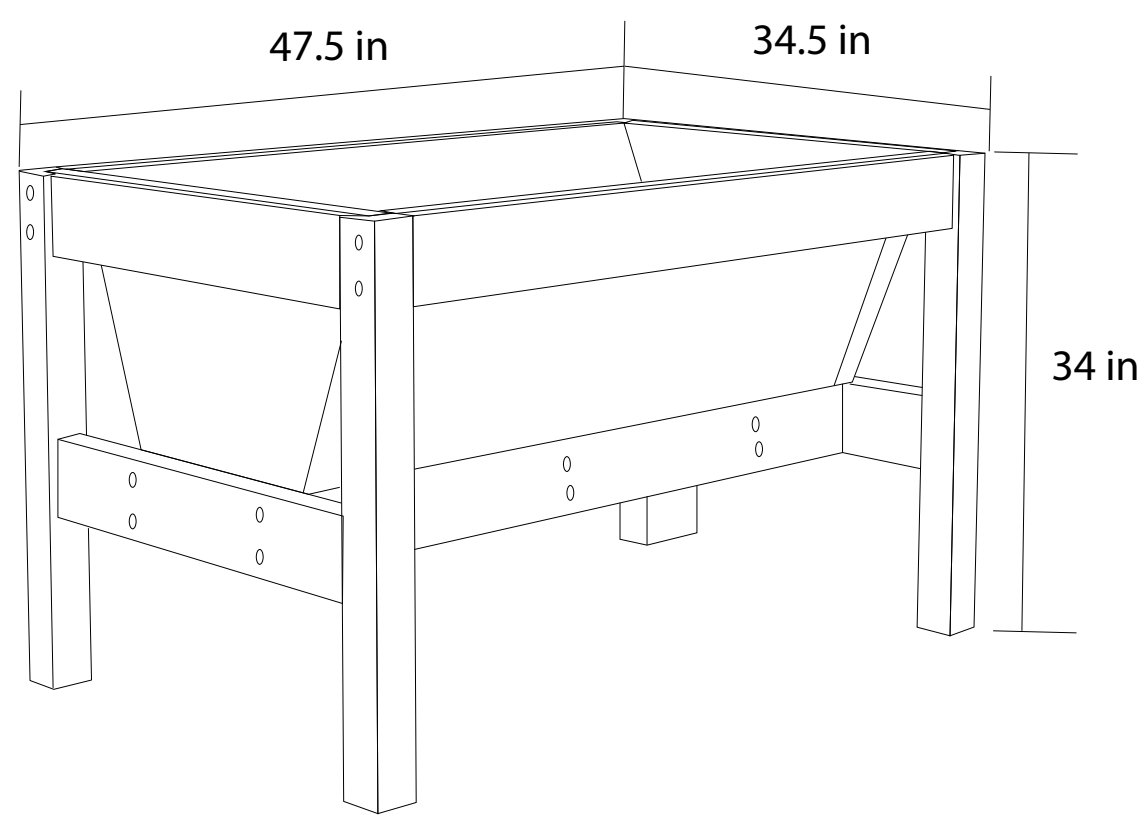


ASSEMBLY INSTRUCTIONS



Assembled Product



SKU# 2595733

Wooden Raised Bed
INSTRUCTION MANUAL



Distributed by:
TRACTOR SUPPLY COMPANY
5401 VIRGINIA WAY,
BRENTWOOD, TN 37027
For customer support,
call 1-888-378-9601
www.TractorSupply.com
Made in China

Max loading: 880 lbs/ 400 kgs

Approximate assembly time: **15 Minutes**

People for assembly:



Required assembly space:
Floor area 9 ft. x 9 ft. (3 m x 3 m)



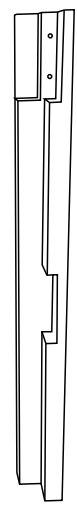
Required assembly tools (included):



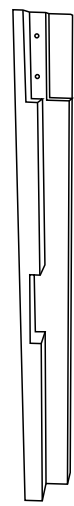
CAUTION: Hand tools only, use of power tools could damage product.

PARTS LIST

A 2 Pieces



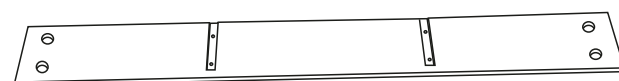
A1 2 Pieces



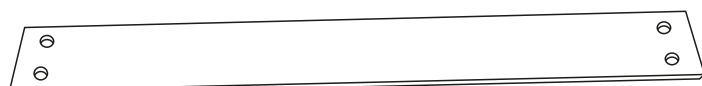
B 2 Pieces



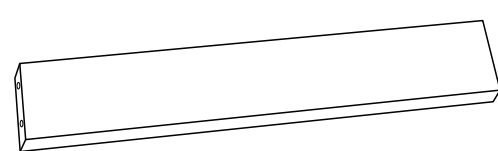
C 2 Piece



D 2 Pieces

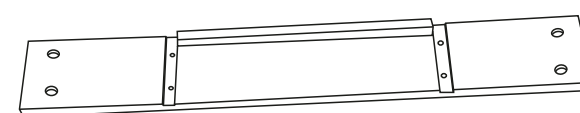


E 2 Pieces

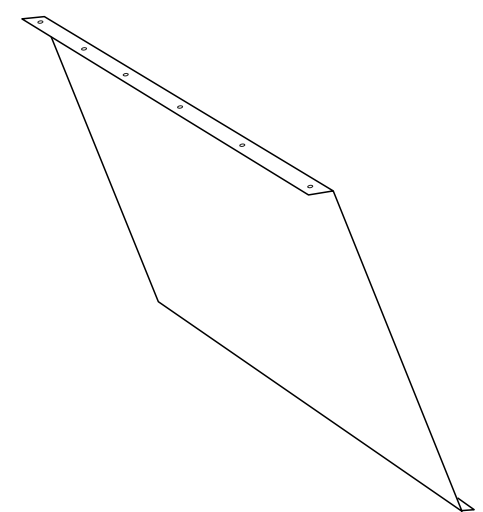


ASSEMBLY INSTRUCTIONS

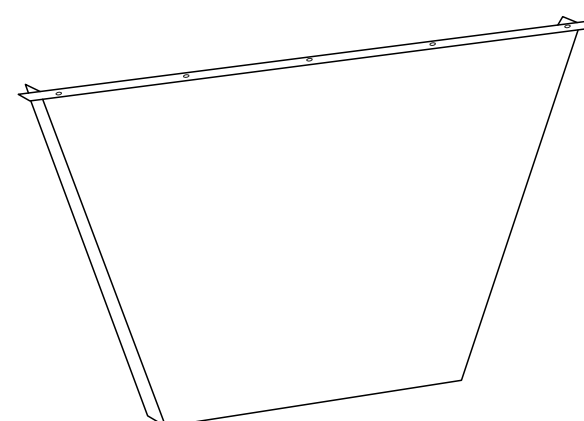
F 2 Pieces



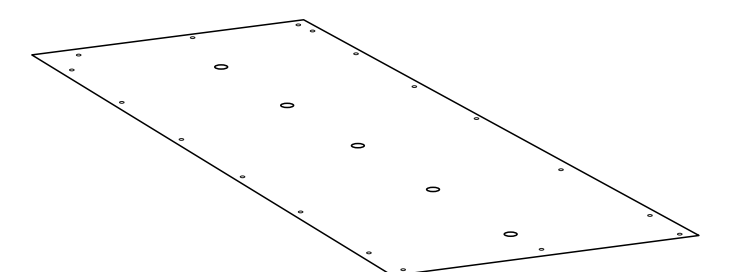
G



H 2 Pieces



I 1 Piece



TIPS BEFORE YOU START

1. Ensure that all parts are present prior to assembly.
2. Check all packing material carefully before discarding, as some parts may be encased in the packing material.
3. For ease and speed of assembly, it is recommended that prior to each step all required parts are identified.
4. Ensure that you have sufficient space and people (as indicated on page 1) to assemble product safely.
5. During assembly take care not to over-tighten any fittings, as this may damage the product.

CARE AND MAINTENANCE

- Periodically check all fittings and re-tighten as necessary.
- This product should only be used on firm, level ground.

HARDWARE LIST

① M6 x2.75in - 24 Pieces



④ M6 x2.16in - 8 Pieces

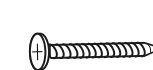


② M6 x1.57in - 8 Pieces



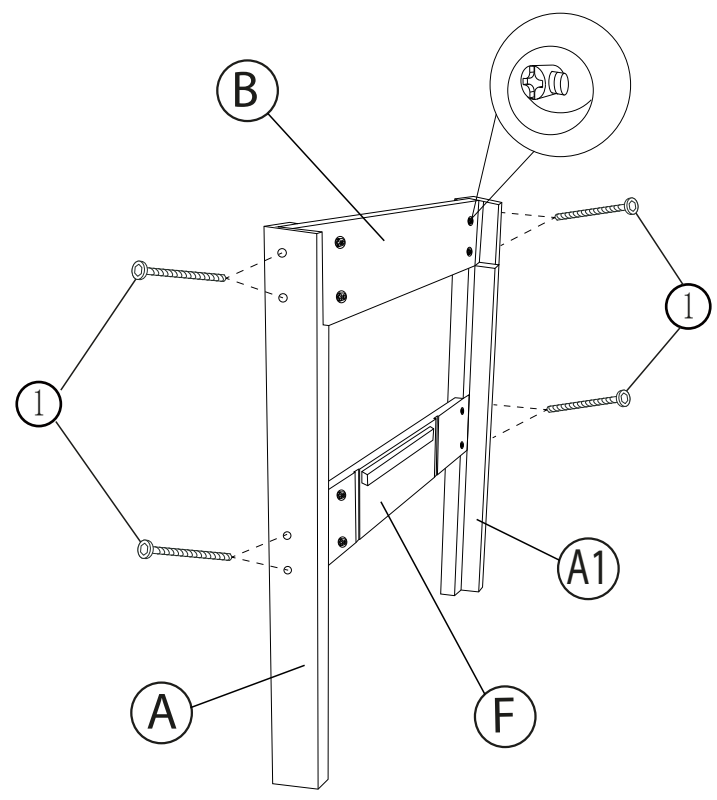
2 Pieces

③ M3.5 x0.59in - 40 Pieces



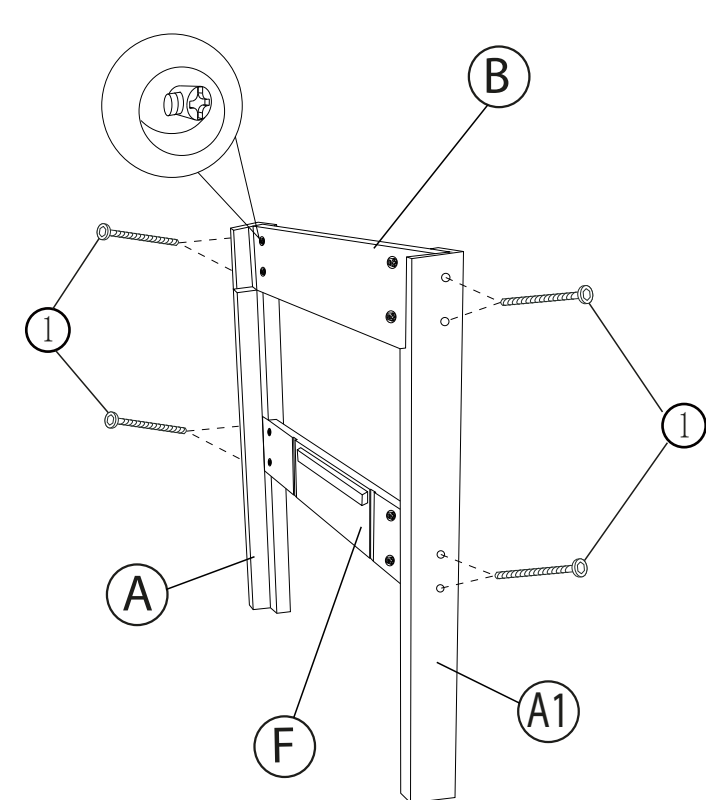
ASSEMBLY INSTRUCTIONS

Step 1



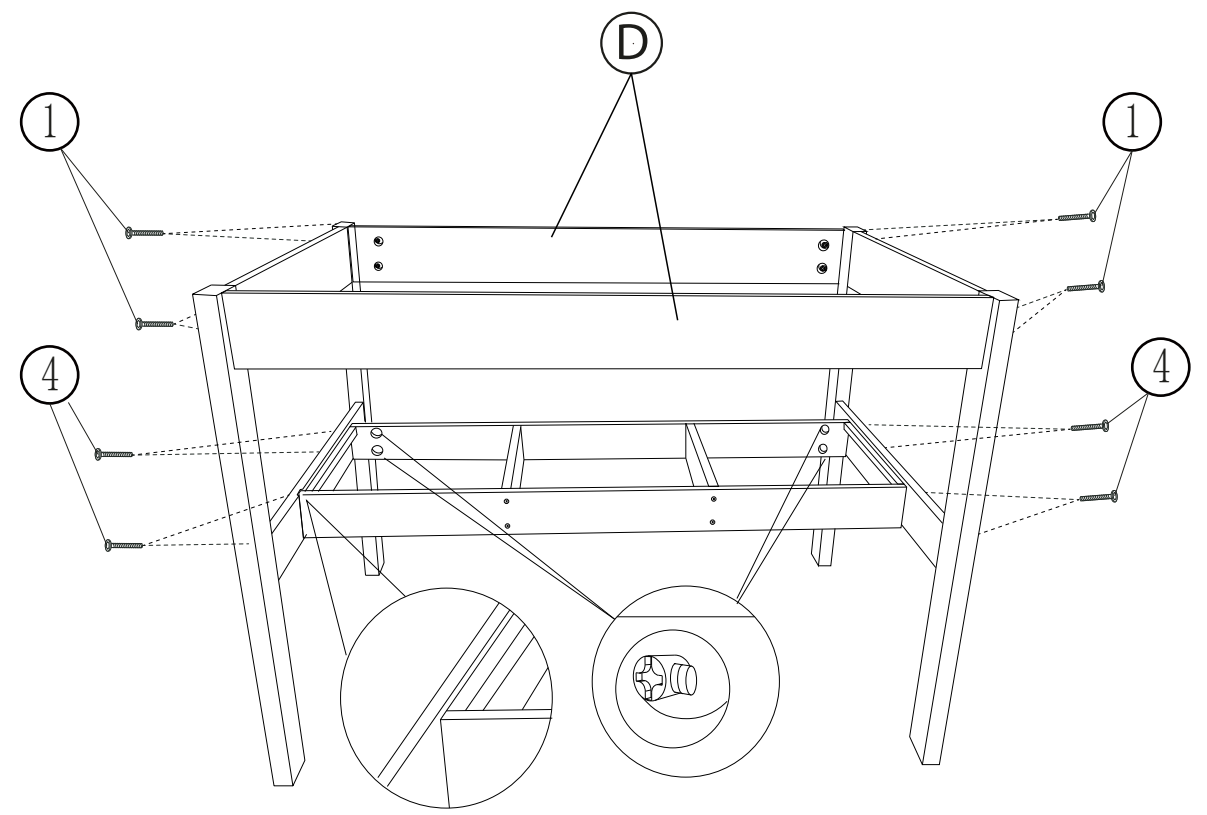
① M6 x2.75in - 8Pieces 

Step 2



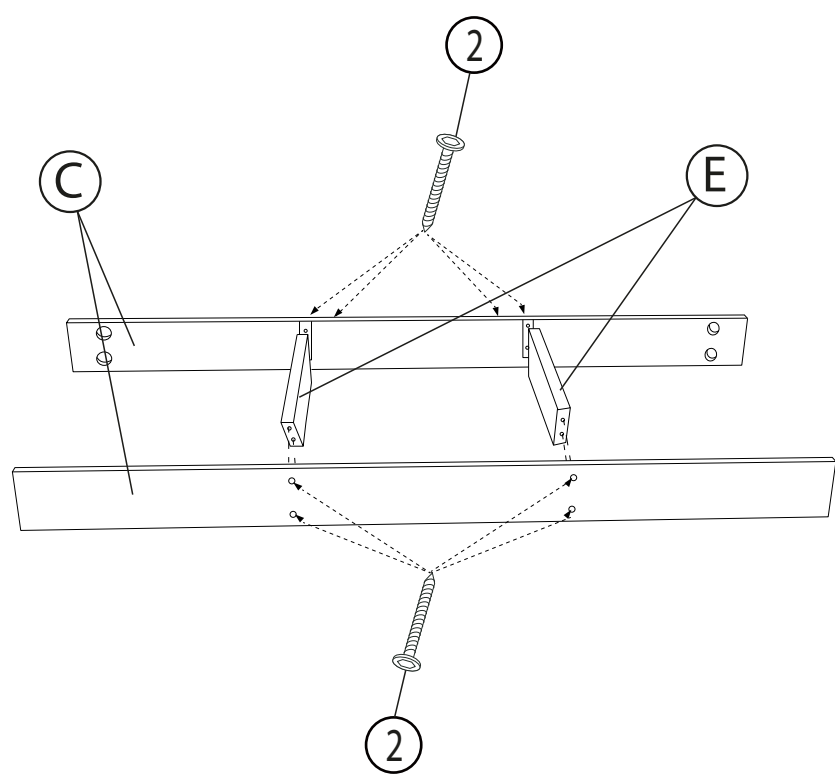
① M6 x2.75in - 8Pieces 

Step 4



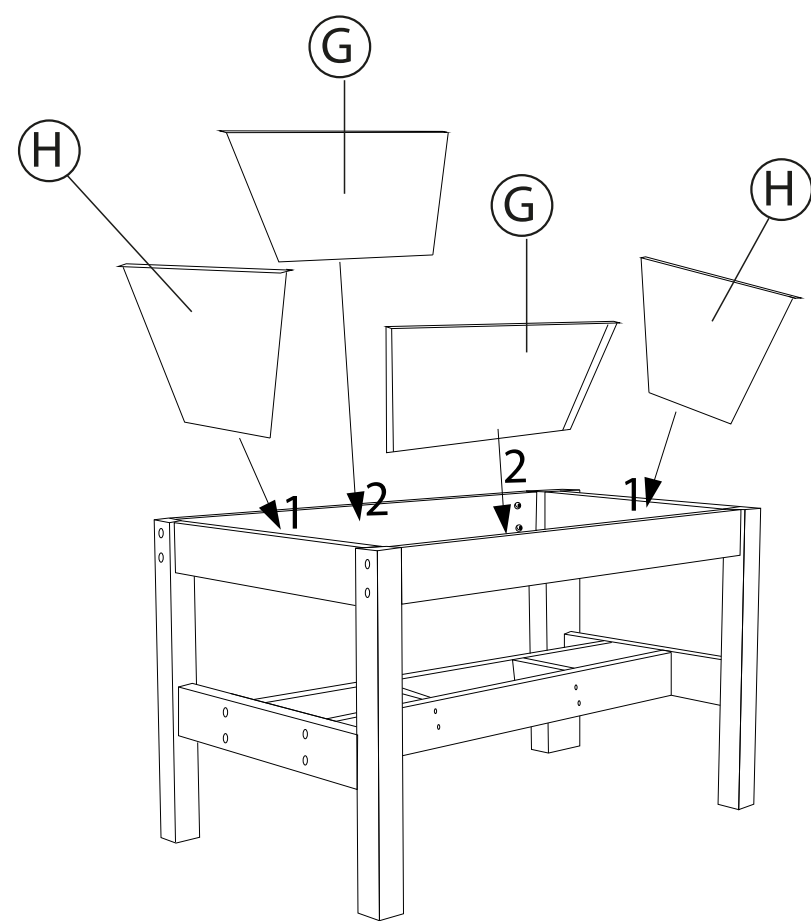
① M6 x2.75in - 8Pieces  ④ M6 x2.16in - 8Pieces 

Step 3



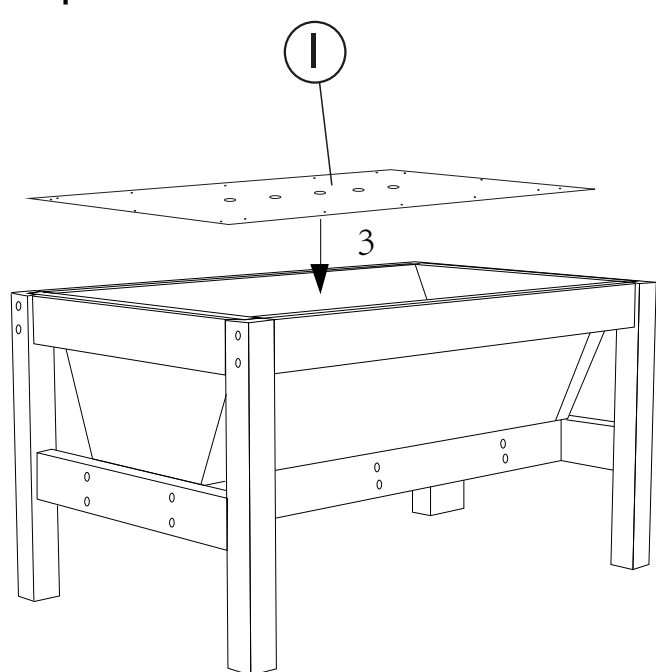
② M6x1.57inx 8 Pieces 

Step 5

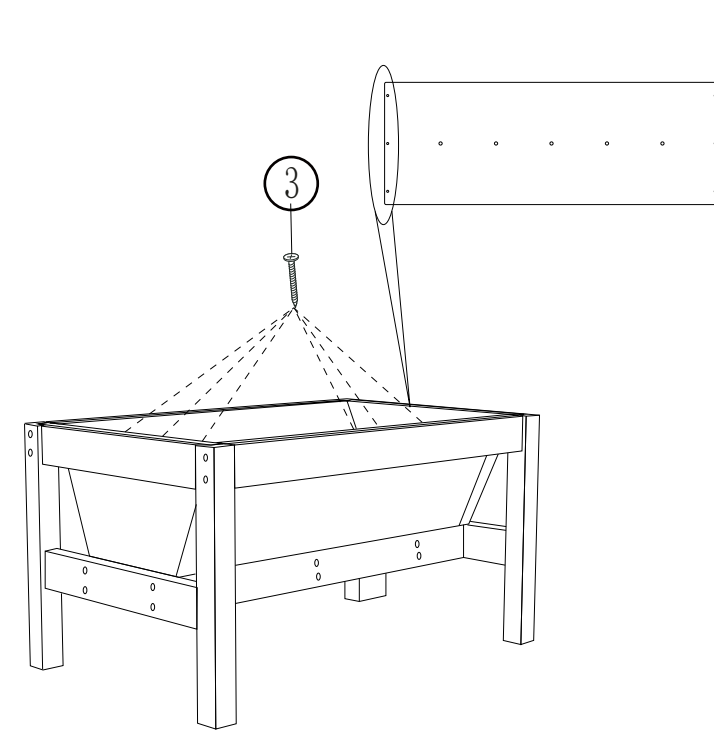


ASSEMBLY INSTRUCTIONS

Step 6

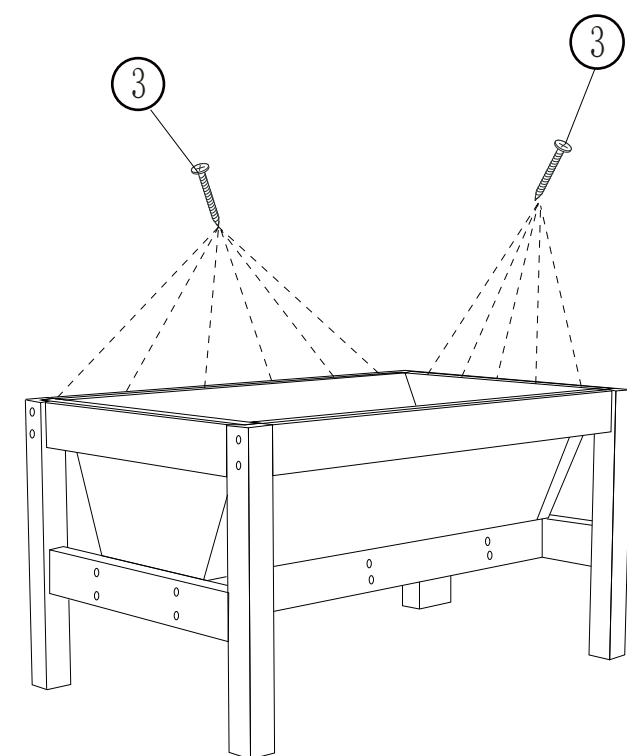


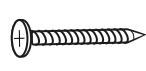
Step 7



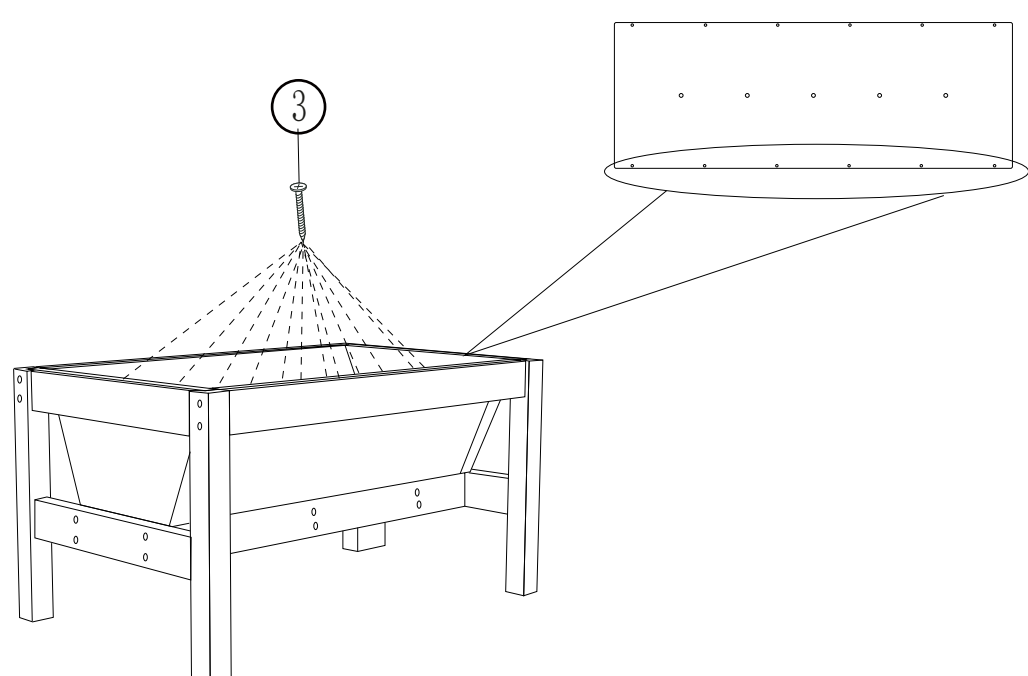
③ M3.5 x0.59in - 6Pieces 

Step 9



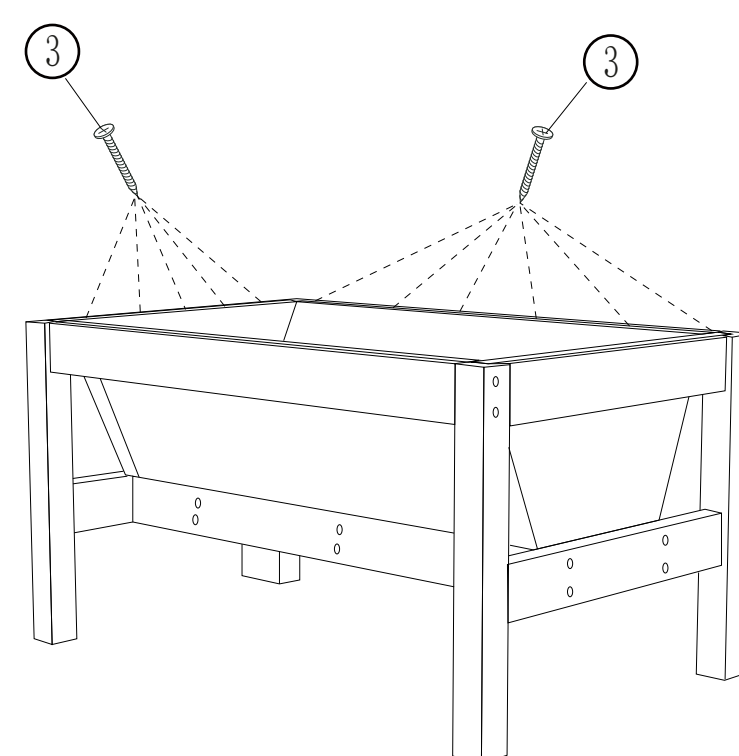
③ M3.5 x0.59in - 11Pieces 

Step 8



③ M3.5 x0.59in - 12Pieces 

Step 10



③ M3.5 x0.59in - 11Pieces 

- Do not stand on table.
- This product should only be used on firm,level ground.