



Infrared Patio Heater

OWNER'S MANUAL ASSEMBLY AND OPERATING INSTRUCTIONS

SAVE THIS MANUAL FOR FUTURE REFERENCE

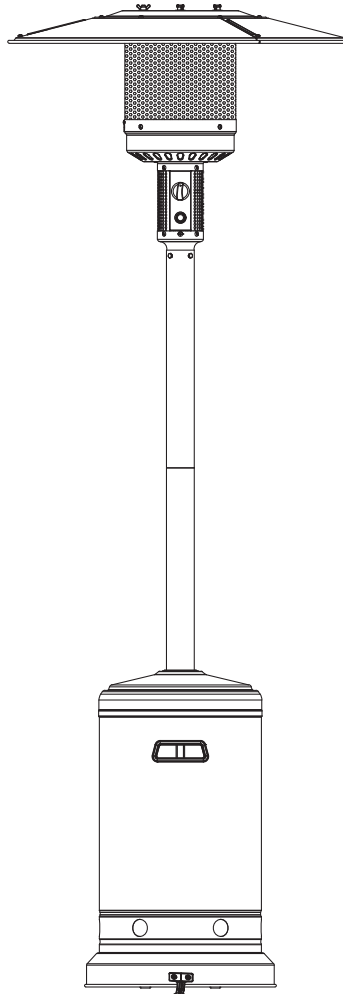
Model GAS5100AS

NOTICE TO INSTALLER:
LEAVE THESE INSTRUCTIONS WITH
THE HEATER OWNER FOR FUTURE
REFERENCE.

⚠ WARNING


HAZARDOUS EXPLOSION MAY RESULT IF THESE
WARNINGS AND INSTRUCTIONS ARE IGNORED. READ AND
FOLLOW ALL WARNINGS AND INSTRUCTIONS IN THIS
MANUAL TO AVOID PERSONAL INJURY, INCLUDING DEATH
OR PROPERTY DAMAGE.

⚠ WARNING: Improper installation,
adjustment, alteration, service or
maintenance can cause property
damage, injury or death. Read the
installation, operating and maintenance
instructions thoroughly before
installing or servicing this equipment.



Intertek
3177588

IMPORTANT SAFETY WARNINGS

WE WANT YOU TO ASSEMBLE AND USE YOUR HEATER AS SAFELY AS POSSIBLE. THE PURPOSE OF THIS SAFETY ALERT SYMBOL  IS TO ATTRACT YOUR ATTENTION TO POSSIBLE HAZARDS AS YOU ASSEMBLE AND USE YOUR HEATER.

WHEN YOU SEE THE SAFETY ALERT SYMBOL  PAY CLOSE ATTENTION TO THE INFORMATION WHICH FOLLOWS!

 **READ ALL SAFETY WARNINGS AND INSTRUCTIONS CAREFULLY BEFORE ASSEMBLING AND OPERATING YOUR HEATER.**

DANGER

IF YOU SMELL GAS:

1. Shut off gas to the appliance.
2. Extinguish any open flame.
3. If odor continues, keep away from the appliance and immediately call your gas supplier or your fire department.

DANGER

- Do not store or use gasoline or other flammable vapors and liquids in the vicinity of this or any other appliance.
- An LP-cylinder not connected for use shall not be stored in the vicinity of this or any other appliance.

 **WARNING: For Outdoor Use Only.**



DANGER



CARBON MONOXIDE HAZARD


This appliance can produce carbon monoxide which has no odor.


Using it in an enclosed space can kill you.


Never use this appliance in an enclosed space such as a camper, tent, car or home.

TABLE OF CONTENTS:


General Warnings	3-4
LP Gas Cylinder (Tank) Specifications and Installation	5-6
Hose & Regulator Specifications and Installation	7
Leak Testing	8
Pre-start Check List	9
Lighting Instructions	9-10
Proper Care and Maintenance	10
Transporting and Storage	10
Troubleshooting	11
Assembly Instructions	12-16
Warranty Information	Back Cover

 **DANGER:** Indicates an imminently hazardous situation which, if not avoided, will result in death or serious injury.


 **WARNING:** Be alert to the possibility of serious bodily injury if the instructions are not followed. Be sure to read and carefully follow all of the messages.

 **CAUTION:** Indicates a potentially hazardous situation which, if not avoided, may result in minor or moderate injury.

CALIFORNIA PROPOSITION 65 WARNING

 **WARNING:** This product can expose you to chemicals including carbon monoxide, which is known to the State of California to cause birth defects or other reproductive harm.

For more information go to www.P65Warnings.ca.gov

 **WARNING: CONTAINS LEAD. MAY BE HARMFUL IF EATEN OR CHEWED. COMPLIES WITH FEDERAL STANDARDS. KEEP OUT OF REACH OF CHILDREN.**

GENERAL WARNINGS:

⚠ WARNING

- Never use indoors, in an enclosed area or below ground level.
- This appliance is intended for use with LP bottled gas only.
- Improper installation, adjustment, alteration, service or maintenance can cause property damage, injury or death. Read the installation, operating and maintenance instructions thoroughly before installing or servicing this appliance.
- Failure to read and follow these instructions could result in serious injury or damage to property.
- Do not move the appliance when in use.
- Any modification of this appliance may be dangerous.
- **DO NOT** use heater where the reflector is within 36 in. (91 cm) of any flammable structure or surface.
- Never operate the heater with the top half covered (burner head, reflector, etc.).
- Do not leave the appliance unattended when in use. Keep children and pets away from the appliance at all times. Carefully monitor all activity around heater to avoid burns or other injuries. Do not wear loose clothing or allow long hair to hang freely while lighting or using heater.
- Clothing or other flammable materials should not be hung from the heater, or placed on or near the heater.
- Always keep the cylinder level and vertical when positioning inside the base.
- **ONLY** use this appliance on a flat **LEVEL** non flammable surface or ground..
- When positioning , ensure the unit is a minimum of 40 in. (1 m) from flammable items or structure from all sides and above.
- Always leak test the unit before use, annually, or after storage, when parts are replaced/serviced or it the gas cylinder is removed or replaced.
- When storing the appliance or gas cylinder, ensure they are away from flammable materials or liquids.
- Regularly check that the regulator seal and hose is fitted and that it is in good condition. Replace parts if necessary.
- Always follow the care and maintenance instructions - regularly maintain your appliance.
- Always replace worn parts - do not use the appliance if a leak, wear, or damage is found.
- **DO NOT** store or cover the appliance until fully cooled.
- Always shut off the valve at the LP gas cylinder or the regulator before moving the appliance.
- Inspect the specific size and capacity of the cylinder to be used. The LP gas supply cylinder to be used must be:
 - 1) Constructed and marked in accordance with the Specifications for LP-gas cylinders of the U.S. Department of Transportation (DOT) or CSA B339, as applicable;
 - 2) Provided with a listed overfilling prevention device; and
 - 3) Provided with a cylinder connection device compatible with the connection for the appliance.
- In the event of high winds particular attention must be taken. Store the unit away or ensure it is at a safe distance from other items in the event that the unit is blown over.
- Only use with gaszebo's specifically designed to be used with patio heaters.
- Materials or items, when stored under the heater, will be subjected to radiant heat and could be seriously damaged..
- This appliance may be installed with shelter no more inclusive than the following:
 - 1) With walls on all sides, but with no overhead cover.
 - 2) Within a partial enclosure, which includes an overhead cover and no more than two side walls. These side walls may be parallel, as in a breezeway, or at right angles to each other.
 - 3) Within a partial enclosure which includes an overhead cover and three side walls, as long as 30% or more of the horizontal periphery of the enclosure is permanently open. It is normal for the heater to smoke during the first few minutes of use.
- If you smell gas - turn off the appliance and extinguish all flames. If the odor continues, immediately contact your gas supplier.

⚠ WARNING

- In the event of an uncontrollable fire, immediately disconnect the LP gas cylinder moving it away from fire and contact the fire services. **DO NOT PUT YOURSELF AT RISK!**
 - Ensure all packaging and plastic bags are disposed of safely.
 - Ensure the heater is at a safe distance from glass and PVC doors windows to stop damage from any heat build up.
 - Read the warning and use instructions before operation.
 - Do not leave the heat focusing reflector of the patio heater in the tilt position during rain or windy conditions or when the patio heater is not in use or unattended. Always position the heat focusing reflector in the full down position when not in use or during windy or rainy conditions.
 - **FUELS USED IN LIQUEFIED PROPANE GAS APPLIANCE, AND THE PRODUCTS OF COMBUSTION OF SUCH FUELS, CAN EXPOSE YOU TO CHEMICALS INCLUDING BENZENE, WHICH IS KNOWN TO THE STATE OF CALIFORNIA TO CAUSE CANCER AND CAUSE BIRTH DEFECTS OR OTHER REPRODUCTIVE HARM.** For more information go to: www.P65Warnings.ca.gov.
 - This product will become hot when in use - take care when touching.
 - Keep children and pets at a safe distance from the unit when in use.
 - This appliance will be hot during and after use.
 - Check all gas connections by following directions in the “Gas Leak Testing” section on page 8 of this manual. Never test for gas leaks with a lighted match or open flame. Do not operate this heater with a gas leak.
 - Do not store or use gasoline or other liquid/aerosols with flammable vapors in the vicinity of this heater.
 - Storage of this appliance indoors is permissible only if the LP gas cylinder is disconnected and removed from the appliance and left outdoors. A cylinder shall be stored outdoors in a well-ventilated area out of the reach of children. A disconnected cylinder shall have dust caps tightly installed and shall not be stored in a building, garage or any other enclosed area.
 - The pressure regulator and hose assembly supplied with the appliance must be used. Clean and inspect the hose before each use of the appliance. If there is evidence of abrasion, wear, cuts or leaks, the hose must be replaced prior to the appliance being used. Only use replacement hose # 5100-600-5100-15. This hose can be obtained by contacting Even Embers at 1-855-735-9922 or help@fairgameus.com. Replace hose at least every two years. Keep the fuel supply hose away from any heated surfaces.
 - The use of alcohol, prescription or non-prescription drugs may impair your ability to properly assemble or safely operate this appliance. Use caution and common sense.
- ⚠** Do not use this heater for other than its intended purpose. Properly dispose of packaging materials.
- Only use replacement/accessory parts manufactured by Even Embers. Repairs should be performed by Even Embers.
- ⚠ WARNING:** Do not use this appliance under extended awnings. Failure to comply could result in a fire or personal injury.
- ⚠ DANGER:** Do not put appliance in storage or travel mode immediately after use. Allow appliance to cool to touch before moving or storing. Failure to do so could result in fire resulting in property damage, personal injury, or death.
- WARNING:** Disconnect the appliance from the LP gas cylinder prior to storage or transportation.
- ⚠ USE CAUTION AND COMMON SENSE WHEN OPERATING YOUR GAS HEATER.**
- FAILURE TO ADHERE TO THE SAFETY WARNINGS AND GUIDELINES IN THIS MANUAL
COULD RESULT IN SEVERE BODILY INJURY OR PROPERTY DAMAGE.
SAVE THIS MANUAL FOR FUTURE REFERENCE.**

LP GAS CYLINDER (TANK) SPECIFICATIONS AND INSTALLATION:

WARNING

- **ONLY** connect this heater to a Type 1 cylinder valve. The Type 1 valve can be identified with the large external threads on the valve outlet.
- **DO NOT** connect to a propane cylinder exceeding a 20 lb. (9.1 kg) capacity.
- **DO NOT** connect to a cylinder that uses any other type of valve connection device.
- Inspect the propane tank valve rubber seal for cracks, wear or deterioration prior to use. A damaged rubber seal can cause a gas leak, possibly resulting in an explosion, fire or severe bodily harm.
- Turn off the cylinder valve when your heater is not in use.
- Handle the tank with care.
- Always secure the cylinder in an upright position.
- Never connect an unregulated LP gas cylinder to your heater.
- **DO NOT** expose LP gas cylinders to excessive heat or ignition sources.
- **DO NOT** store a spare LP gas cylinder under or near your heater.
- Allow only qualified LP gas dealers to fill or repair your LP gas cylinder.
- **DO NOT** allow the cylinder to be filled beyond 80% capacity.
- Read and follow all warnings and instructions that are on the cylinder and that accompany this product.

DANGER

- **DO NOT** store a spare LP gas cylinder (full or empty) near your heater. This could cause excess pressure to be expelled through the vapor relief valve resulting in fire, explosion, or severe personal injury, including death.
- Propane gas is heavier than air and will collect in low areas. Proper ventilation is extremely important. Keep the ventilation opening(s) of the LP gas cylinder enclosure free and clear from obstructions and debris.
- **DO NOT** insert any foreign objects into the cylinder valve outlet as this could damage the rubber seal. Do not use propane tank with a damaged rubber seal. A damaged rubber seal can cause a gas leak, possibly resulting in explosion, fire, severe bodily harm, or death. Inspect rubber seal for cracks, wear or deterioration prior to use.
- Always keep cylinder (tank) in upright position during use, transit or storage.
- Do not put appliance in storage or travel mode immediately after use. Allow appliance to cool to touch before moving or storing. Failure to do so could result in fire resulting in property damage, personal injury, or death.

LP GAS CYLINDER (TANK) SPECIFICATIONS:

LP gas cylinder (not supplied with this HEATER)

The LP (Liquid Propane) gas cylinder specifically designed to be used with this HEATER must be 12" (30.5 cm) diameter x 18" (45.7 cm) tall and have a 20 lb. (9.1 kg) capacity incorporating a Type 1 cylinder valve and an over-filling protection device (OPD).

This HEATER is designed to fit Worthington, Manchester or S MPC brand 20 lb. (9.1 kg) cylinders. Other brand DOT cylinders may fit this HEATER if the cylinder has similar dimensions of the top and bottom rings.

The installation of this appliance must be in accordance with:

All applicable local codes, or in the absence of local codes, either:

- National Fuel Gas Code ANSI Z223.1 NFPA 54
- Natural Gas and Propane Installation Code: CAN/CGA B149.1
- Natural Gas Installation Code: CAN/CGA B149.1 (Canada)
- Propane Installation Code: CAN/CGA B149.2 (Canada)

To check your local codes, see your local LP gas dealer or natural gas company. This heater was not intended to be connected to a natural gas supply line. If an external electrical source is utilized, it must be electrically grounded in accordance with local codes, or in the absence of local codes, with the National Electrical Code, ANSI/NFPA 70, or the Canadian Electrical Code, CSA 22.1.

When purchasing or exchanging a cylinder for your gas heater, it must be constructed and marked in accordance with the specifications for LP gas cylinders of the U.S. Department of Transportation (DOT) or the National Standard of Canada, CAN/CSA-B339 Cylinders, Spheres and Tubes for Transportation of Dangerous Goods; and Commission, as applicable; and provided with a listed over-filling prevention device (OPD), and provided with a cylinder connection device compatible with the connection for outdoor cooking appliances.

The cylinder must also be equipped with:

- A shut-off valve terminating in a Type 1 gas cylinder valve outlet.
- A Type 1 valve that prevents gas flow until a positive seal is obtained.
- An arrangement for vapor withdrawal.
- A collar to protect the cylinder shut-off valve.
- A safety relief device having direct communication with the vapor space of the cylinder.
- A listed over-filling prevention device (OPD).

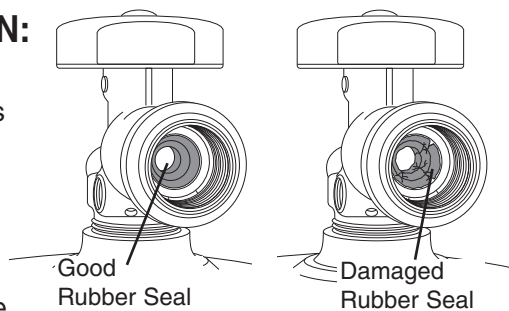
FILLING THE LP GAS CYLINDER (TANK):

⚠ WARNING

- **Allow only qualified licensed LP gas dealers to properly fill or repair your LP gas cylinder.**
- **New tanks should be purged prior to filling; inform LP gas dealer if you are using a new tank.**
- **DO NOT allow the cylinder to be filled beyond 80% capacity. Over-filled tanks can create a dangerous condition. Over-filled tanks can build-up pressure and cause the relief valve to expel propane gas vapors. The vapor is combustible and if it comes in contact with a spark source or flame an explosion causing severe burns, bodily harm, or death could occur.**
- **Always use a protective cylinder cap when heater is not connected to cylinder.**
- **If you exchange a cylinder with a qualified exchange program, the new cylinder must have a Type 1 valve and an over-filling prevention device (OPD).**
- **Inspect the propane tank valve rubber seal for cracks, wear or deterioration prior to use. A damaged rubber seal can cause a gas leak, possibly resulting in an explosion, fire or severe bodily harm.**

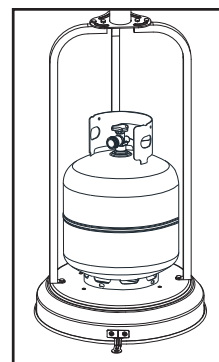
LP GAS CYLINDER (TANK) RUBBER SEAL INSPECTION:

- Inspect the propane tank valve rubber seal for cracks, wear or deterioration prior to use. A damaged rubber seal can cause a gas leak, possibly resulting in an explosion, fire or severe bodily harm.
- Inspection should be done each time the propane tank is connected to the heater, has been refilled, exchanged or has not been used for more than 60 days.
- Do not use a propane tank with a damaged rubber seal. Exchange the tank or have the rubber seal replaced at a qualified propane filling station.



INSTALLING THE LP GAS CYLINDER (TANK) ONTO THE HEATER:

1. Check that the cylinder valve is closed by turning the knob clockwise.
2. Place the cylinder into the tank holder in the middle of support legs.
3. Orient the cylinder such that the valve opening faces towards the front of the heater, and the hose is not kinked or damaged.
4. Secure the tank with the retention strap around the center of the tank.



HOSE & REGULATOR SPECIFICATIONS AND INSTALLATION:

⚠ WARNING

- DO NOT attempt to connect heater, as purchased for LP (propane) gas, to any other fuel supply source such as a natural gas line.
- DO NOT use any other pressure regulator/hose assembly other than the one supplied with your heater. Replacement pressure regulator/hose assembly must be part No 5100-600-5100-15, which can be obtained by contacting customer service at 1-855-735-9922 or help@fairgameus.com.
- DO NOT attempt to adjust or repair a regulator. The regulator is designed to operate at a maximum output pressure of 11 in wc.
- Ensure the tank valve is **CLOSED** prior to connecting the LP gas cylinder to your heater. Turn the valve knob clockwise to properly close the valve. Read and follow all instructions and warnings on the supply hose safety tags. Read and follow all warnings in this manual concerning the safe use of LP gas cylinders and the hose and regulator before connecting cylinder to heater. Read and follow all warnings on the LP cylinder.

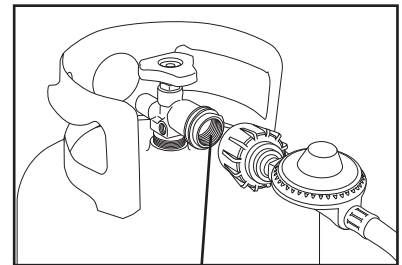
HOSE AND REGULATOR:

Your heater is equipped with a Type 1 connection device with the following features:

1. The system will not allow gas flow from the cylinder until a positive connection to the valve has been made.
Note: The cylinder valve and all heater burner knobs must be turned OFF before any connection is made or removed.
2. A regulator flow limiting device, when activated, restricts the flow of gas to 10 cubic feet per hour. If the flow limiting device is activated, perform Regulator Resetting Procedure.
Note: If your heater will not get hot enough, the flow limiting device may have been activated.

CONNECTING HOSE AND REGULATOR TO LP GAS CYLINDER:

1. Inspect the propane tank valve rubber seal for cracks, wear or deterioration prior to use. A damaged rubber seal can cause a gas leak, possibly resulting in an explosion, fire or severe bodily harm. Do not use a propane tank with a damaged rubber seal.
2. Check that the cylinder valve is closed by turning the knob clockwise.
3. Check that the heater's burner control knob is in the "OFF" position.
4. Visually inspect the hose assembly prior to each use for evidence of damage, excess wear, or deterioration. If found, replace the assembly before using your heater. Only the manufacturer's supplied replacement should be used.
5. Remove the protective plastic cap from the cylinder valve.
6. Check that the hose does not contain kinks, does not contact sharp edges, and does not contact surfaces that may become hot during use.
7. Hold regulator and insert the brass nipple into the LP cylinder valve outlet. Ensure that the device is centered properly.
8. Turn the large coupling nut clockwise by hand and tighten to a full stop. Take care not to cross thread the coupling nut onto the cylinder valve. Do not use tools to tighten connection.
Note: If you are unable to make the connection, repeat Steps 6 and 7.
9. Leak check all fittings before lighting your heater. See section on "Leak Testing" in this manual.
Note: To remove regulator from propane tank, turn off the tank valve and rotate the large coupling nut counter-clockwise and remove.



Inspect Rubber Seal (see page 6)

REGULATOR RESETTING PROCEDURE:

If your heater will not get hot enough to cook, the flow limiting device may have been activated.

Mini Reset: Turn regulator control valve to "OFF", turn off the cylinder valve. Wait one minute. Slowly turn cylinder valve ON and relight heater. If burner flame is higher and heater heats up properly – proceed with cooking.

Full Reset: Turn regulator control valve to "OFF", turn off the cylinder valve. Disconnect hose and regulator from cylinder. Wait two minutes, reattach hose and regulator and perform leak test.

LEAK TESTING:

⚠ WARNING

- Never use your heater without leak testing all gas connections, hoses and propane tank. Follow the section on “Leak Testing” in this manual for proper procedures.

⚠ DANGER

To prevent fire or explosion hazard:

- DO NOT smoke or permit ignition sources in the area while conducting a leak test.
- Perform test OUTDOORS in a well ventilated area that is protected from the wind.
- Never perform a leak test with a match or open flame.
- Never perform a leak test while the heater is in use or while heater is still hot.

WHEN TO PERFORM A LEAK TEST:

- After assembling your heater and before lighting for the first time, even if purchased fully assembled.
- Every time the LP gas cylinder is refilled, exchanged or if any of the gas components are disconnected or replaced.
- Any time your heater has been moved.
- At least once per year or if your heater has not been used for more than 60 days.

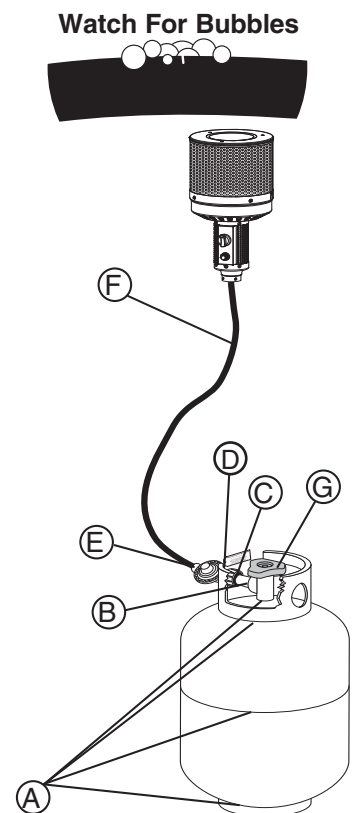
CHECKING FOR LEAKS:

- ⚠ **CAUTION:** Strong odors, colds, sinus congestion, etc. may prevent the detection of propane by smell. Use caution and common sense when testing for leaks.

Note: The leak test must be performed in an area that has adequate lighting in order to see if bubbles are developing and not in a windy or noisy area so larger leaks can be detected by smell or sound.

1. Create a mixture of 50% water and 50% liquid dishwashing soap.
2. Turn on the gas at the cylinder valve. Turn the cylinder valve knob counter-clockwise to full open. If you hear a rushing sound or smell gas, turn the gas off. Tighten any leaking connections. If leak is detected at connection nut and tightening does not stop leak, reinspect propane tank rubber seal. Open regulator control valve fully.
3. Apply the soapy water mixture to the following:
 - (A) Supply tank (cylinder) weld.
 - (B) Connection nut to tank valve.
 - (C) Back side of connection nut to brass nipple.
 - (D) Brass nipple connection into regulator.
 - (E) Regulator connections to gas supply hose.
 - (F) The full length of gas supply hose.
 - (G) Tank valve to cylinder.
4. Check each place listed (A–G) for growing bubbles, which indicates a leak. Large leaks may not be detected by bubbles but should produce a rushing sound or gas smell.
5. Turn off gas supply at cylinder valve.
6. Tighten any leaking connections. If leak is detected at connection nut and tightening does not stop leak, reinspect propane tank rubber seal. (see page 6)
7. Repeat soapy water test until no leaks are detected.
8. Turn off gas supply at cylinder valve until you are ready to use your heater.
9. Wash off soapy residue with cold water and towel dry.
10. Wait 5 minutes to allow all gas to evacuate the area before lighting heater.

- ⚠ **WARNING:** DO NOT use the HEATER if leaks cannot be stopped. Contact a qualified gas appliance repair service.



PRE-START CHECK LIST:

⚠ DANGER

Property damage, bodily harm, severe burns, and death could result from failure to follow these safety steps. These steps should be performed after the heater has been assembled and prior to each use. **DO NOT** operate this heater until you have read and understand **ALL** of the warnings and instructions in this manual.

- Ensure that the heater is properly assembled.
- Inspect the gas supply hose for burns, chaffing, kinks, and proper routing before each use. If it is evident there is excessive abrasion or wear, or the hose is cut, it must be replaced prior to the heater being used. Replace with hose and regulator Model No. 5100-600-5100-15, which can be obtained by contacting customer service at 1-855-735-9922 or help@fairgameus.com.
- Leak check all gas connections, hose and propane tank. See section on “Leak Testing”.
- Ensure that all electrical supply cords are properly grounded. Keep any electrical supply cord and the fuel supply hose away from any heated surfaces. Hose should be at least 3 inches from hot surfaces.
- Position your heater on a non-combustible level surface in a well ventilated location, a safe distance from combustible materials, buildings and overhangs.

Note: Due to the intense heat from burner, it is normal for discoloration to occur on heater during the first few uses.

LIGHTING INSTRUCTIONS:

⚠ WARNING

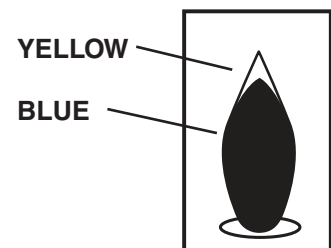
Follow the instructions exactly. Read, understand and follow all warnings and instructions contained in this manual. **DO NOT** skip any of the warnings and instructions contained in the preceding sections of this manual.

LIGHTING THE HEATER:

1. Turn valve on the LP gas supply cylinder to the open position.
2. Press and turn the control knob to the HIGH position (counter-clockwise 90°).
NOTE: If a new tank has just been connected, allow at least one minute for air in the gas supply line to purge out.
3. Continue pressing down the control knob, press the igniter button until the burner head flame ignites. Release the control knob 10 seconds after ignition.
4. Turn the control knob to the minimum position and leave it there for 5 minutes or more before turning the knob to the desired temperature setting.
5. If the burner flame goes out accidentally or is blown out, turn off the heater and wait 5 minutes for the gas dissipate before re-lighting.

NOTE: The flame can be watched and checked from the viewing hole located on the base of the burner.

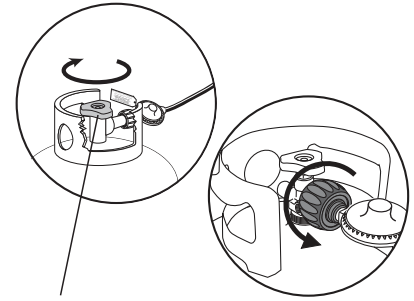
When lit for the first time the heater may emit a slight odor and smoke. This is a normal and temporary condition. Emitter screen will become a bright red due to the heat. The color is more visible at night. Flame patterns should be a blue flame; these flames should not be yellow in color; indicating an obstruction of airflow through the burners.



EXTINGUISHING THE HEATER:

1. Turn off the LP gas cylinder valve.
2. Press and turn control knob to the "OFF" position.
Note: Turn off LP cylinder first to prevent gas from being left in the system under pressure.
3. To disconnect valve regulator/hose assembly, turn the large regulator coupling counter-clockwise by hand.

⚠ CAUTION: The cylinder valve should always be in the off, or closed, position when the heater is not in use.



To turn off the cylinder valve, turn knob clockwise until it stops.

PROPER CARE AND MAINTENANCE:

BURNER ASSEMBLY/MAINTENANCE:

- Keep appliance area clear and free from combustible materials, gasoline and other flammable vapors and liquids.
- Visually check burner flames for proper operation. Spiders or other insects can nest in the burner causing gas blockage.
- For peak performance of your heater, perform these checks at least twice per year or after extended periods of storage.
- Be sure to tighten up all hardware (nuts, screws, etc.) before each use.

⚠ CAUTION: Some parts may contain sharp edges. Wear protective gloves if necessary.

- Clean appliance with mild dishwashing detergent, hot water and sponge. A soft bristle brush can also be used.

TRANSPORTING AND STORAGE:

⚠ WARNING

- **Never move a heater when hot or in use.**
- **Make sure that cylinder valve is closed.**
- **DO NOT store a spare LP gas cylinder (filled or empty) under or near the heater.**
- **Never store flammable liquids or spray canisters under or near the heater.**
- **If the appliance is not in use, the gas must be turned off at the LP gas supply cylinder.**
- **Storage of an outdoor cooking gas appliance indoors is permissible only if the cylinder is disconnected and removed from the outdoor gas appliance.**
- **Cylinders must not be stored in a building or enclosure, including garages and sheds.**
- **Cylinders must be kept out of reach of children.**

BEFORE STORING YOUR HEATER:

- Ensure that the cylinder valve is fully closed.
- Clean all surfaces.
- If storing the heater indoors, disconnect the LP tank and leave the LP tank OUTDOORS.
- Place dust cap on cylinder valve outlet whenever the cylinder is not in use. Only install the type of dust cap on the cylinder valve outlet that is provided with the cylinder valve. Other types of caps or plugs may result in leakage of propane.
- Check and clean burner prior to use after storing, at the beginning of the season or after a period of not being used. Spiders and insects like to build nests in burner tubes (especially during colder months). Blocked burner tubes can prevent gas flow to the burners and could result in a burner tube fire or fire beneath the heater.
- In order to extend and maintain the life and condition of the heater, we recommend that the unit be covered when stored outside.

TROUBLE SHOOTING:

Problem	Possible Cause	Prevention/Cure
Heater will not light	LP gas tank valve is closed	Make sure regulator is securely attached to the LP gas tank, turn LP gas tank valve to "OPEN"
	LP gas tank is low or empty	Check if LP gas tank is empty. If empty, replace or refill.
	LP gas leak	1. Turn LP gas tank valve to "CLOSED" 2. Wait 5 minutes for gas to clear 3. Follow "Leak Testing" in the owner's manual
	Coupling nut and regulator not fully connected	See section on "Connecting Hose and Regulator"
	Obstruction of gas flow	1. Clean burner assembly 2. Check for bent or kinked hose
	Control knob not held down during lighting.	Hold safety valve button down for 10 seconds during lighting.
	Spider webs or insect nest in venturi	Clean venturi and burner assembly
	Burner ports clogged or blocked	Clean burner ports
Heater does not get hot enough	Out of gas	Replace or refill LP gas tank
	The supply hose is bent or twisted	Straighten the hose and perform leak test
	There is a blockage in the burner injector	Clean or replace the burner injector
	Flow limiting device may have been activated	1. Mini Reset: a. Turn control knobs and LP gas tank valve to "OFF" b. Wait one minute and relight HEATER per "Lighting Instructions" 2. If flames are still too low, perform a Full Reset Full Reset: a. Turn control knobs and LP gas tank valve to "OFF" b. Disconnect regulator from propane tank c. Inspect LP cylinder rubber seal d. Wait 1 minute e. Reconnect regulator and perform "Leak Testing" on all connections. f. Light HEATER per "Lighting Instructions"
Irregular flame pattern, Emitter glows uneven	There is a blockage in the burner injector	Clean or replace the burner injector
	The base is not on level surface	Place the heater on a level surface
Flame is yellow or orange	Burner may have residual manufacturing oils	Burn heater for 15 minutes on "HIGH".
	Spider webs or insect nest in venturi	Clean venturi and burner assembly
	Food residue, grease, etc.	Clean burner assembly
	Poor alignment of valve to burner venturi	Make sure burner venturi is properly engaged with valve
	Air shutter on burner needs adjustment	See section on "Burner Adjustment"
Flame blows out	High or gusting winds	Do not use heater in high winds
	Low on LP gas	Replace or refill LP gas tank
	Burner holes may be obstructed	Refer to "Burner Assembly/Maintenance" instructions
	Flow limiting device activated	Refer to "Regulator Resetting Procedure"

ASSEMBLY INSTRUCTIONS:

⚠ READ ALL SAFETY WARNINGS & ASSEMBLY INSTRUCTIONS CAREFULLY BEFORE ASSEMBLING OR OPERATING YOUR HEATER.

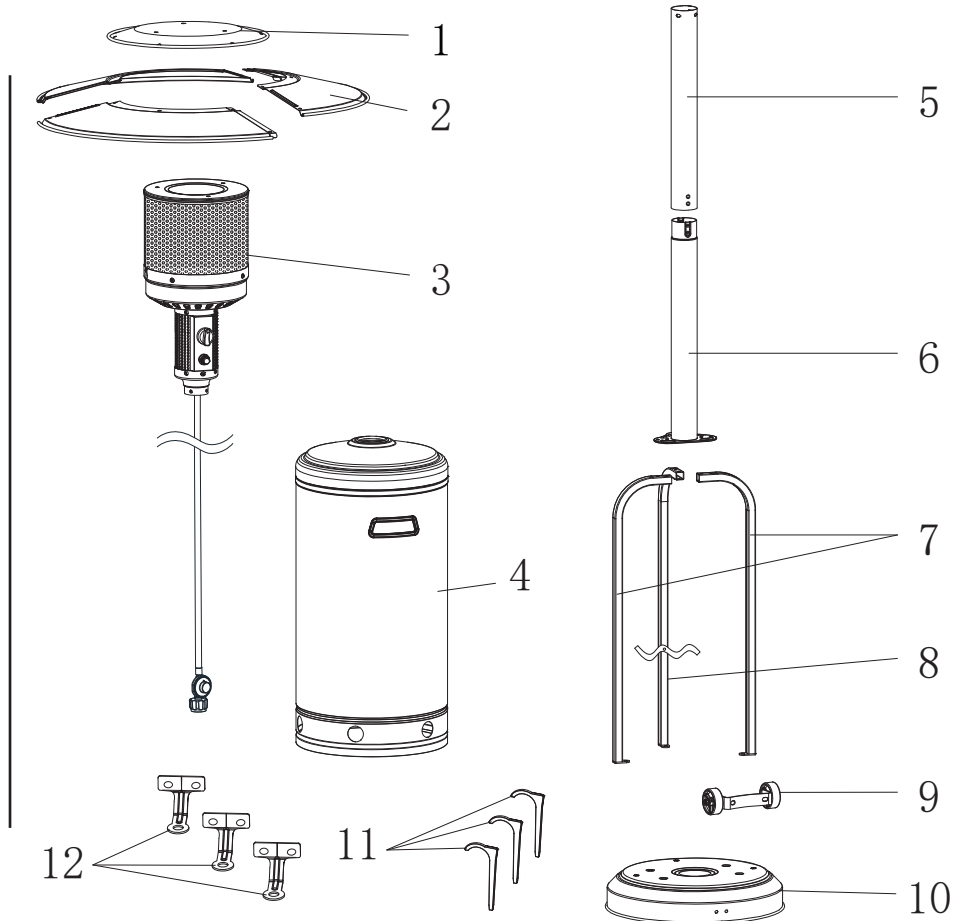
WE RECOMMEND TWO PEOPLE WORK TOGETHER WHEN ASSEMBLING THIS UNIT.

The following tools are required to assemble this Even Embers Heater:

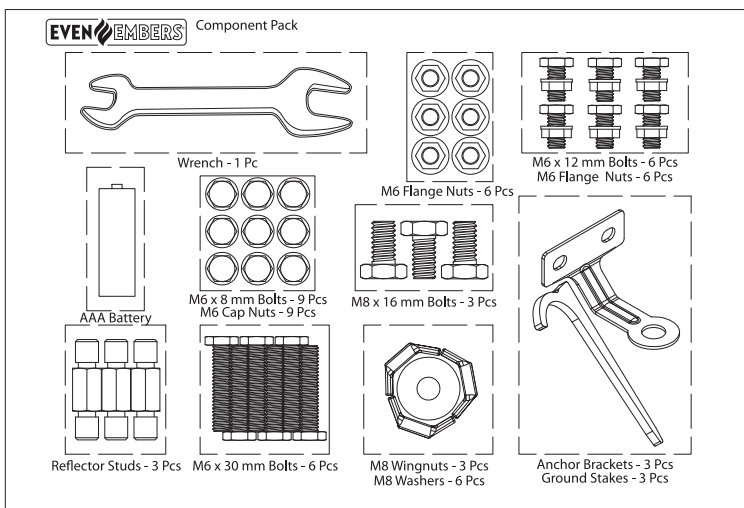
- **Phillips Screwdriver**
- **Adjustable Wrench**

PARTS LIST:

- ① 1 Reflector Plate
- ② 3 Reflector Panels
- ③ 1 Head Assembly
- ④ 1 Cylinder Housing
- ⑤ 1 Upper Pole
- ⑥ 1 Lower Pole
- ⑦ 2 Left / Right Support Legs
- ⑧ 1 Center Support Leg
- ⑨ 1 Wheel Assembly
- ⑩ 1 Base
- ⑪ 3 Ground Stakes
- ⑫ 3 Anchor Brackets



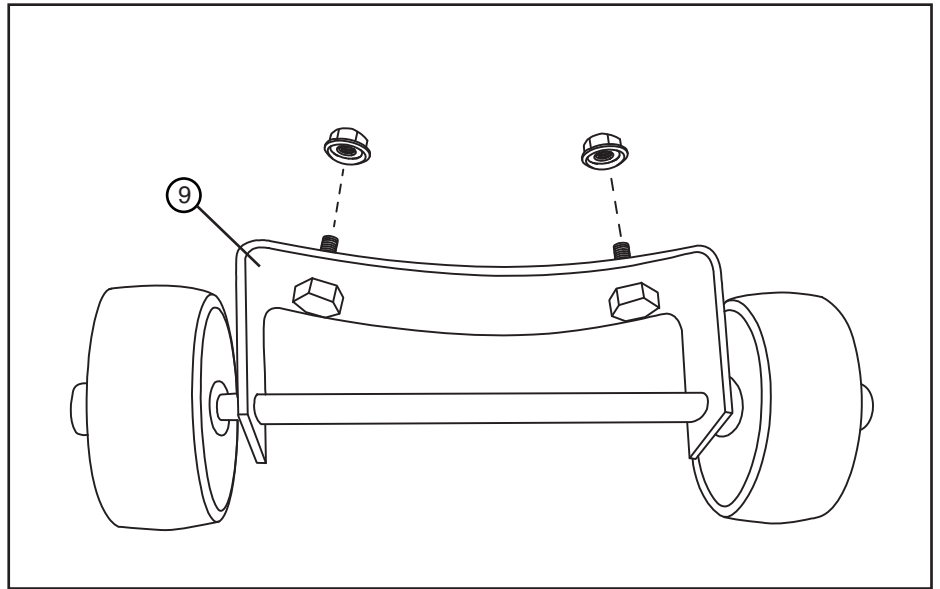
HARDWARE LIST:



Note: Some hardware is pre-attached to the heater. You may need to loosen some bolts partially while others may need to be removed in order to assemble parts. The parts that you remove will be re-used so don't misplace this hardware.

1

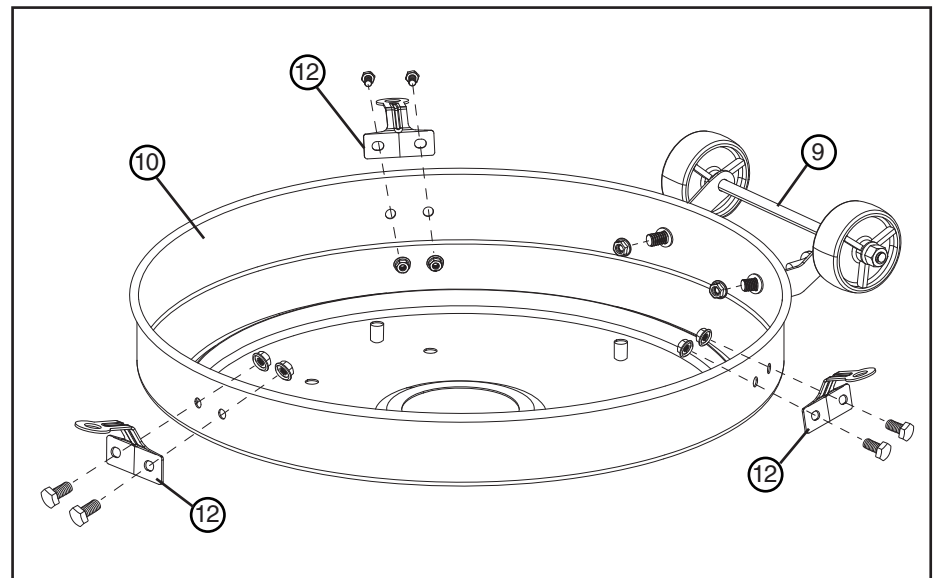
Remove two M8 x 16 mm bolts and M8 flange nuts from wheel assembly ⑨.



2

Attach wheel assembly ⑨ to base ⑩ using two M8 x 16 mm bolts and M8 flange nuts.

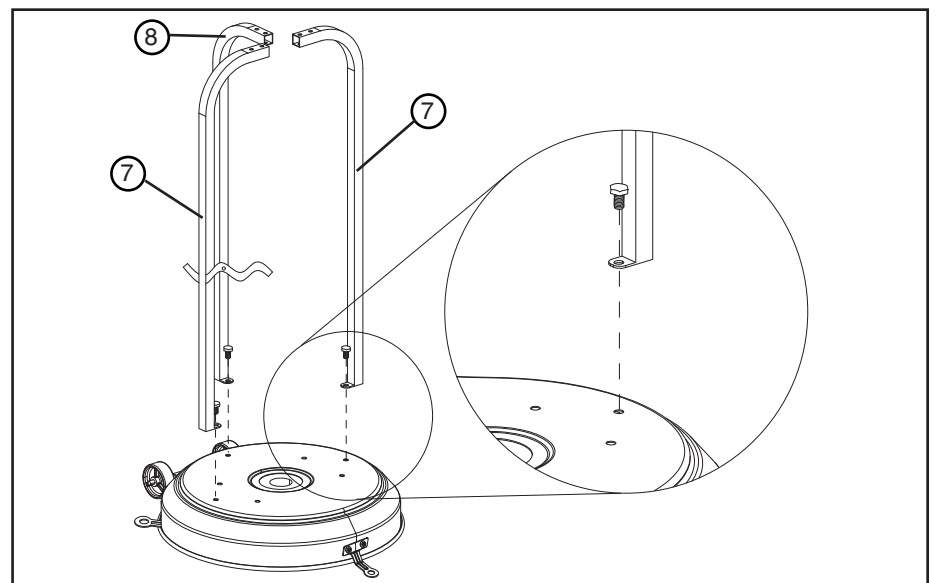
Attach three anchor brackets ⑫ to base ⑩ using six M6 x 12 mm bolts and M6 flange nuts.

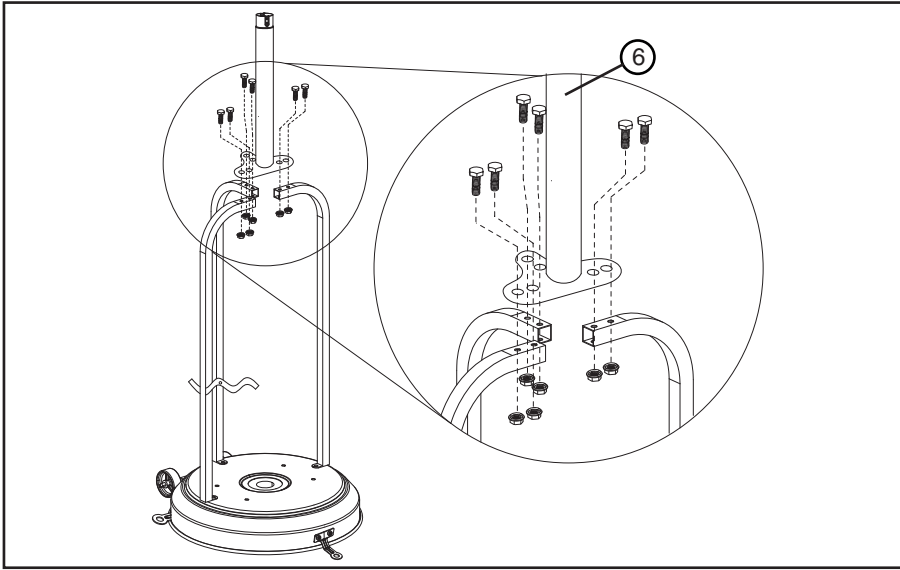


3

Attach center support leg ⑧ to base ⑩ using one M8 x 16 mm bolt.

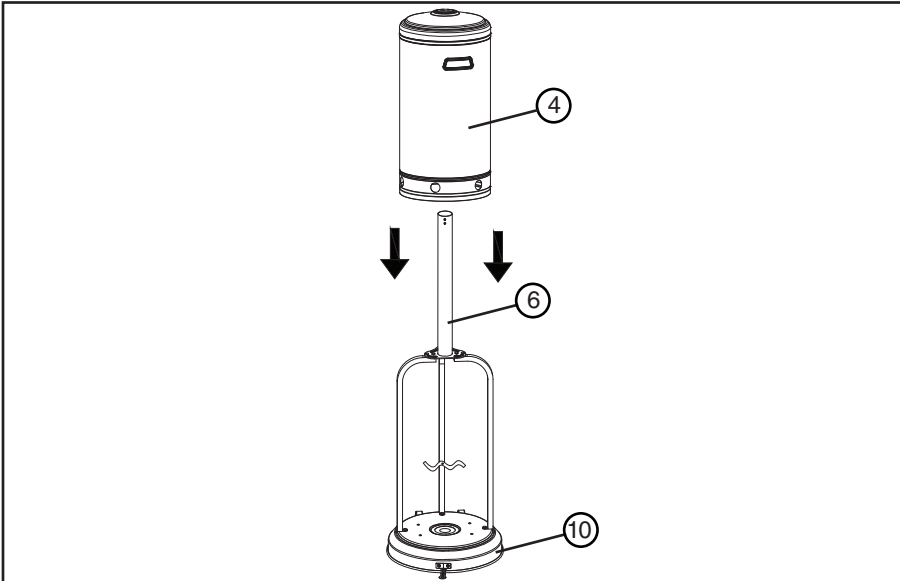
Attach left and right support legs ⑦ to base ⑩ using two M8 x 16 mm bolts. Tighten all bolts securely.





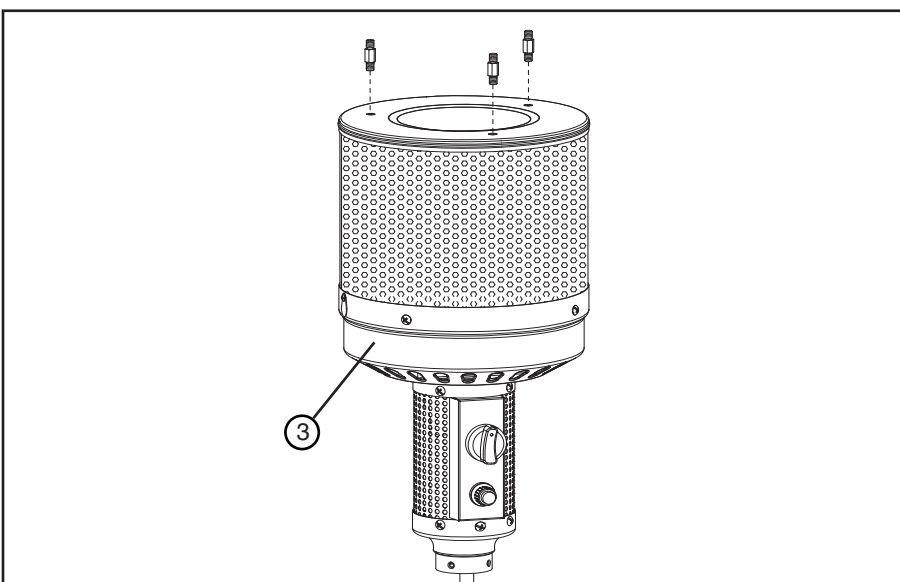
4

Attach lower pole ⑥ to base assembly using six M6 x 30 mm bolts and M6 flange nuts.



5

Place cylinder housing ④ over lower pole ⑥ and onto base ⑩.



6

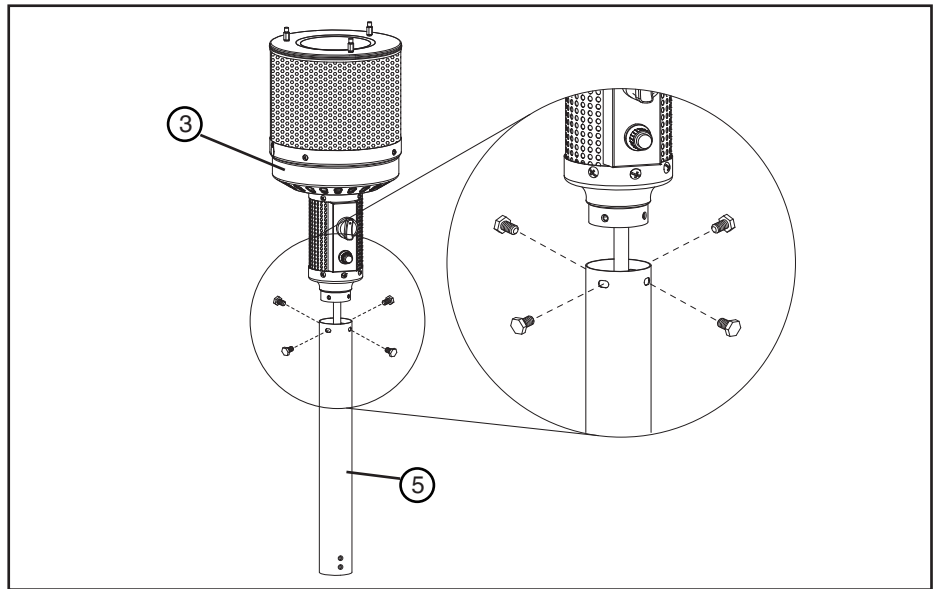
Install three reflector support studs into head assembly ③.

7

Remove four M6 x 12 mm countersink bolts from head assembly ③.

Insert hose/regulator through upper pole ⑤ section.

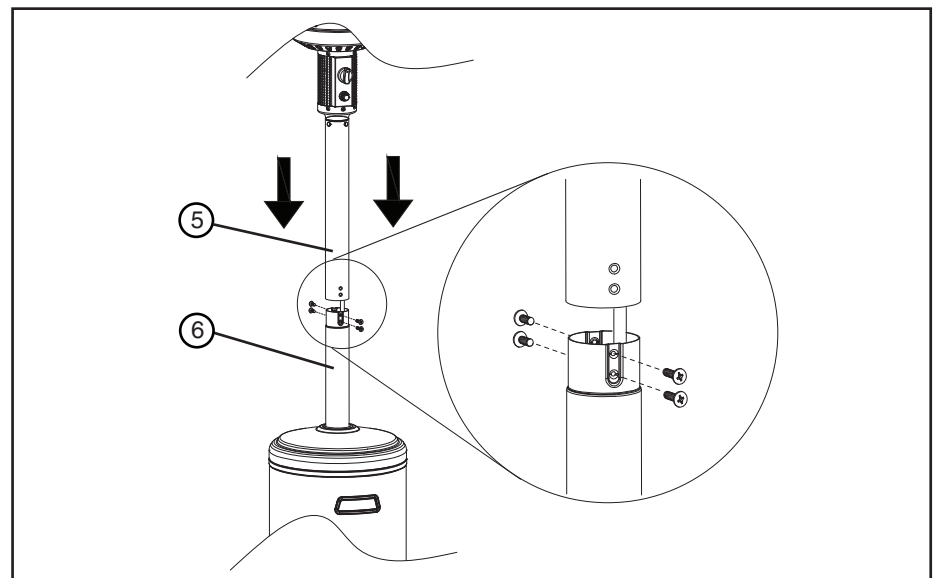
Attach head assembly ③ to upper pole ⑤ using four M6 x 12 mm bolts.



8

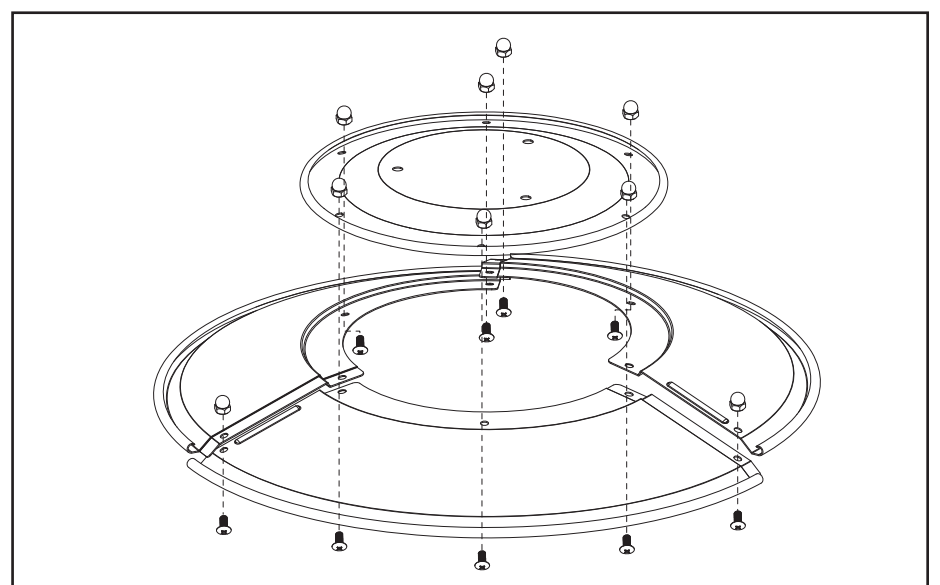
Remove four M6 countersink bolts from lower pole ⑥.

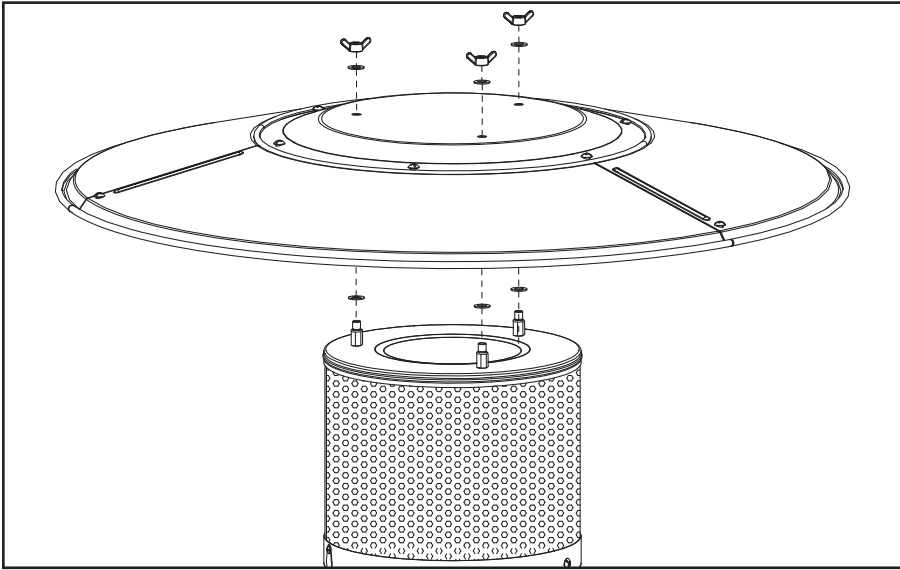
Attach upper pole ⑤ to lower pole ⑥ using four M6 countersink bolts.



9

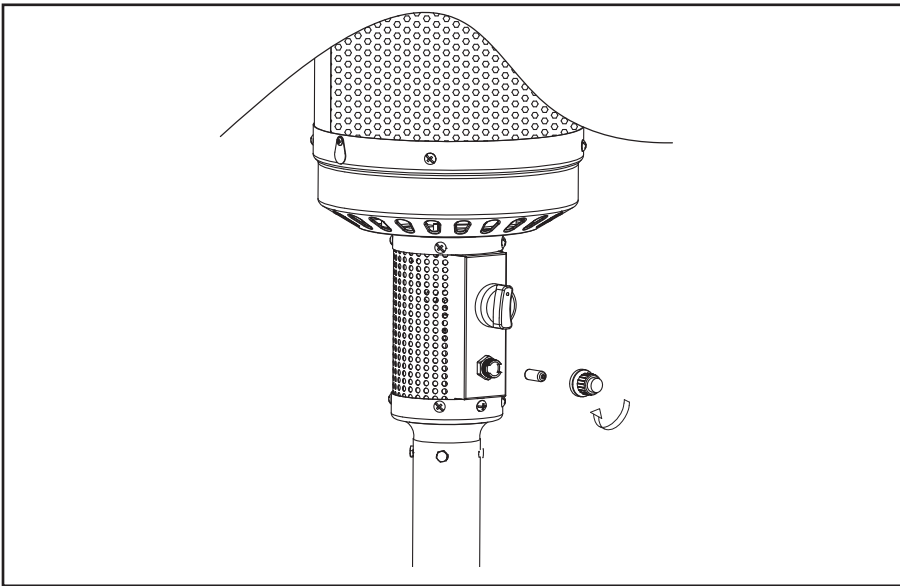
Attach three reflector panels ② to reflector plate ① using nine M6 x 8 mm round head bolts and M6 cap nuts. Tighten all bolts securely.





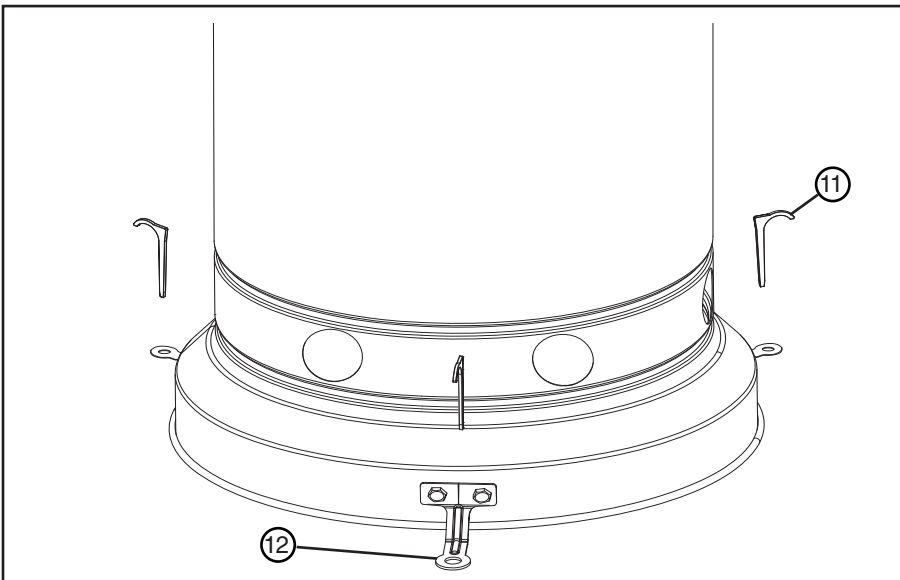
10

Attach reflector assembly to head assembly studs using three M8 wingnuts and six M8 washers.



11

Remove igniter cap and install one AAA battery with positive end toward the cap.



12

For added safety, install three ground stakes 11 through anchor brackets 12.

WARRANTY

Fair Game Group warrants to the original purchaser that the Even Embers® Gas Heater is free from defects due to workmanship or materials for:

One-year: on valves, frame, and other related parts

Fair Game Group's obligations under this warranty are limited to the following guidelines:

- This warranty does not cover gas heaters that have been altered/modified or damaged due to: normal wear, rust, abuse, improper maintenance and/or improper use.
- This warranty does not cover surface scratches, rust or heat damage to the finish, which is considered normal wear.
- Fair Game Group may elect to repair or replace damaged units covered by the terms of this warranty.
- This warranty extends to the original purchaser only and is not transferable or assignable to subsequent purchasers.

Fair Game Group requires reasonable proof of purchase. Therefore, we strongly recommend that you retain your sales receipt or invoice. To obtain replacement parts for your Even Embers® Gas Heater under the terms of this warranty, please contact Customer Service Department at 855-735-9922 or help@fairgameus.com. A receipt will be required. Fair Game Group will not be responsible for any gas Heaters forwarded to us without prior authorization.

EXCEPT AS ABOVE STATED, FAIR GAME GROUP MAKES NO OTHER EXPRESS WARRANTY.

THE IMPLIED WARRANTIES OF MERCHANTABILITY AND FITNESS FOR A PARTICULAR PURPOSE ARE LIMITED IN DURATION TO THOSE LISTED ABOVE FROM THE DATE OF PURCHASE. SOME STATES DO NOT ALLOW LIMITATIONS ON HOW LONG AN IMPLIED WARRANTY LASTS, SO THE ABOVE LIMITATION MAY NOT APPLY TO YOU.

ANY LIABILITY FOR INDIRECT, INCIDENTAL OR CONSEQUENTIAL DAMAGES ARISING FROM THE FAILURE OF THE EVEN EMBERS® GAS HEATER TO COMPLY WITH THIS WARRANTY OR ANY IMPLIED WARRANTY IS EXCLUDED. CUSTOMER ACKNOWLEDGES THAT THE PURCHASE PRICE CHARGED IS BASED UPON THE LIMITATIONS CONTAINED IN THE WARRANTY SET OUT ABOVE. SOME STATES DO NOT ALLOW THE EXCLUSION OR LIMITATION OF INCIDENTAL OR CONSEQUENTIAL DAMAGES, SO THE ABOVE LIMITATION OR EXCLUSION MAY NOT APPLY TO YOU. THIS WARRANTY GIVES YOU SPECIFIC LEGAL RIGHTS, AND YOU MAY ALSO HAVE OTHER RIGHTS WHICH VARY FROM STATE TO STATE.