



Assembly Instructions

30" Round Steel Fire Pit

Model # 2A-OC095



Please keep this instruction manual for future reference

WARNING

READ INSTRUCTION MANUAL BEFORE ATTEMPTING
TO

ASSEMBLE OR OPERATE THIS PRODUCT.

Adult assembly required.

Keep screws and parts out of reach of children.

(Made in China)

Safety Information

PRECAUTION

Use caution and common sense when using your outdoor fire ring. Failure to adhere to the safety warnings and guidelines in this manual could result in bodily injury or property damage . Save this manual for future reference.

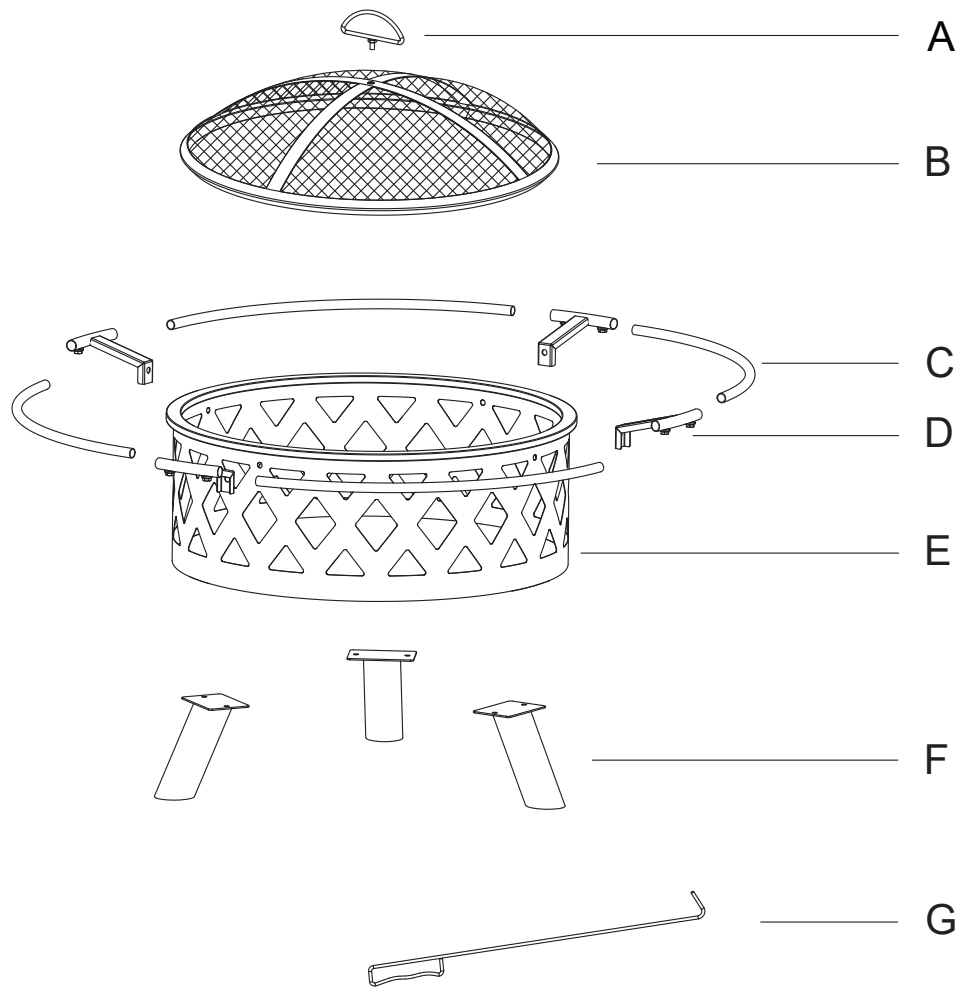
WARNING

- FOR OUTDOOR USE ONLY! NEVER LEAVE A FIRE UNATTENDED!
- DO NOT burn over 6 lbs. untreated wood or fire logs in this fire pit.
- DO NOT allow children or pets near fire pit without supervision.
- DO NOT touch the surface of the fire pit while in use as it may cause burns.
- NEVER burn in vehicles, tents or indoors. CARBON MONOXIDE HAZARD.
- Use a poker and/or heat-resistant gloves to open/close the mesh cover while in use.
- DO NOT use water to extinguish as this is dangerous and can cause damage to the fire pit.
- Burn only untreated wood or fire logs in this fire pit.
- DO NOT use gasoline or kerosene to start the fire in this fire pit.
- DO NOT use this unit on a wood deck, long or dry grass and/or leaves, or on combustible surfaces DO NOT attempt to move the fire pit while it is hot or in use.



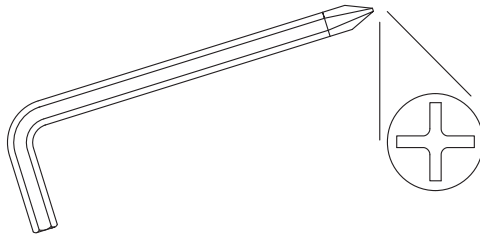
WARNING: Fuels used in wood or charcoal burning appliances, and the products of combustion of such fuels, can expose you to chemicals including carbon black, which is known to the State of California to cause cancer, and carbon monoxide, which is known to the State of California to cause birth defects or other reproductive harm. For more information go to: www.P65Warnings.ca.gov.

Parts List



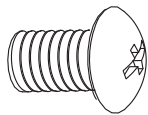
Part	Description	Quantity
A	Lid Handle	1
B	Mesh Screen	1
C	Support Ring	4
D	Tube Support Piece	4
E	Fire Bowl	1
F	Support Leg	3
G	Fire Poker	1

TOOLS REQUIRED

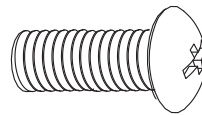


L Screwdriver

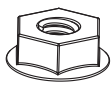
HARDWARE INCLUDED



AA



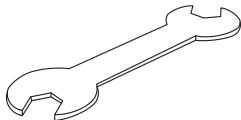
BB



CC



DD

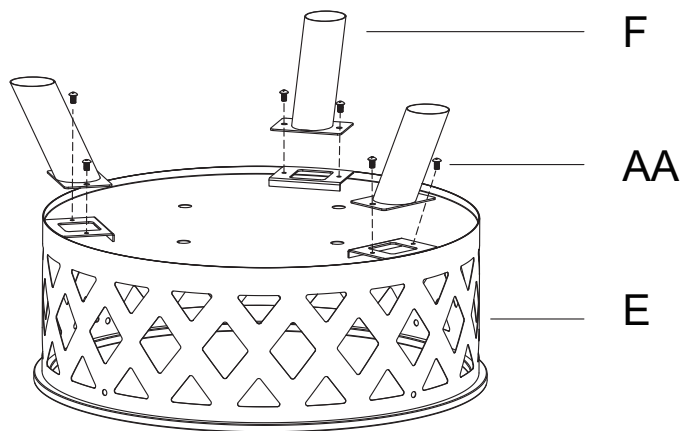


EE

Part	Description	Quantity
AA	Bolt M6x8 mm	14
BB	Bolt M6x25 mm	4
CC	M6 Nut	5
DD	L Screwdriver	1
EE	M6 Wrench	1

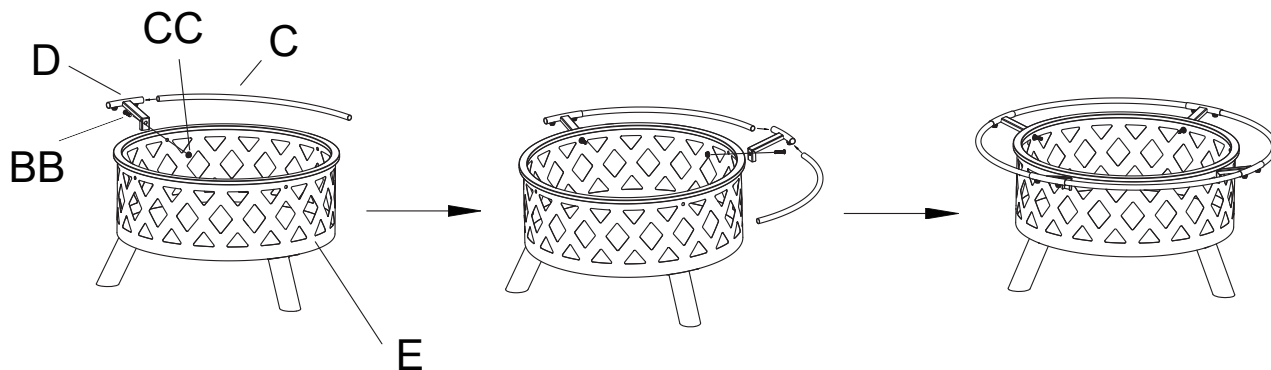
Step 1:

Attach the support legs (F) to the fire bowl (E) using L Screwdriver (DD),M6x8 mm bolts (AA).



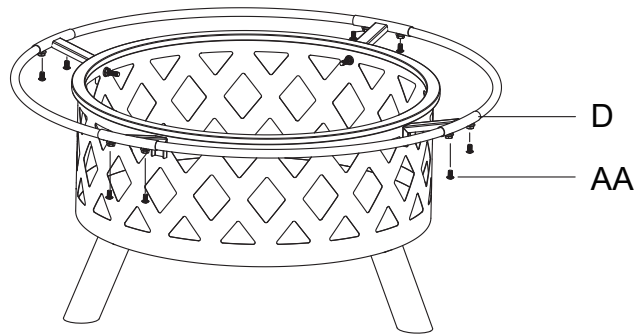
Step 2:

Attach the tube support pieces (D) to the fire bowl (E) using L Screwdriver (DD), M6 Nuts (CC), M6x25 mm bolts (BB),M6 Wrench,Then insert the support rings(C) into the tube support pieces(D), and assemble the tube support pieces(D) and support rings(C) successively, as shown in the figure below.



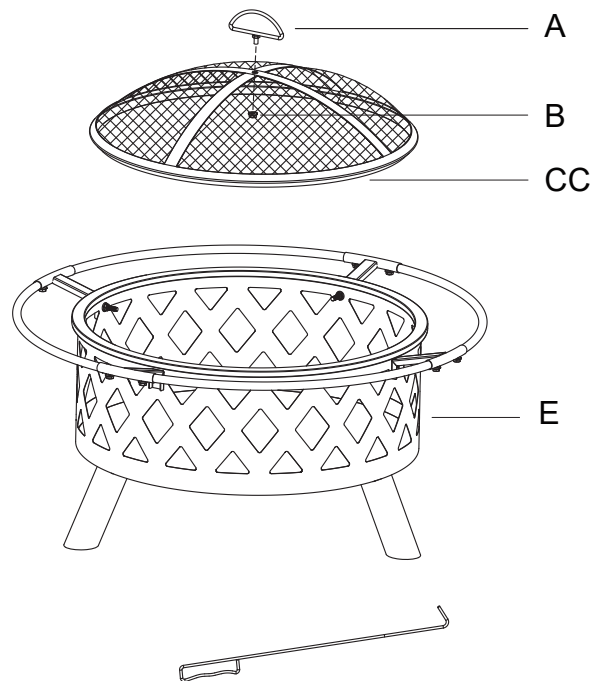
Step 3:

Insert eight M6x8 mm bolts(AA) into the four tube support pieces(D) using L Screwdriver(DD).



Step 4:

Attach the Lid Handle (A) to the Mesh Screen (B) using M6 Nut (CC),M6 Wrench.



WARRANTY INFORMATION

The appliance has been manufactured under the highest standards of quality and workmanship. We warrant to the original consumer/purchaser that all aspects of this product will be free of defects in material and workmanship for one (1) year from the date of purchase. A replacement for any defective part will be supplied free of charge for installation by the consumer. Defects or damage caused by the use of other than genuine parts are not covered by this warranty. This warranty shall be effective from the date of purchase as shown in the purchaser's receipt.

This warranty is valid for the original consumer/purchaser only and excludes industrial, commercial or business use of the product, product damage due to shipment or failure which results from alteration, product abuse, or product misuse, whether performed by a contractor, service company, or consumer. We will not be responsible for labor charges and/or damage incurred in installation, repair or replacement, nor for incidental or consequential damage.



For questions or comments please call 888-376-7375.