



# 500lbs Cargo Carrier

Model: 4A-CC906

## Product Photo



## Tips

In the process of Step1-Step3,  
Do not tighten the bolts an nuts  
first.

## Specifications

Art	Description
capacity	500lbs
Overall dimensions	60x21x6 in
material	steel

## WARNING

Never exceed the vehicle manufacturer's recommended to wing capacity.

Do not exceed maximum weight capacity of 500lbs.when using 2" receiver tube.

Distribute the weight evenly on platform when hauling a load.

Do not carry loads taller,wider or deeper than the cargo carrier.Do not carry flammable items

On carrier or allow exhaust fumes to blow directly on your cargo.This is a fire hazard.

Always use caution when in reverse(R) to help avoid personal injury.

Loads must be evenly distributed.

Never use a step or platform-injury may result.

Do not use to carry flammable items or allow exhaust

Fumes to blow directly on items in the carrier-fire hazard.

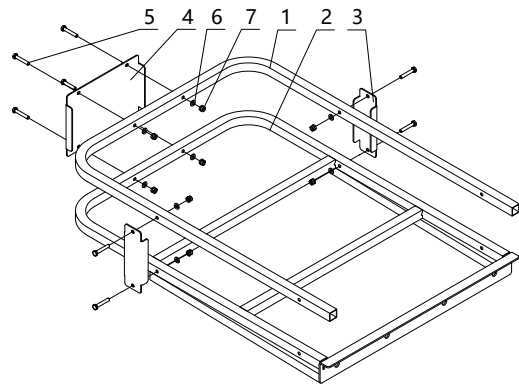
Do not use to transport people.

Do not block brake lights or turn signals.

# ASSEMBLY

## Step 1

Assemble the upper frame (#1) and lower frame (#2) with the small connecting plate (#3), large connecting plate (#4), Hex Bolt M6\*30 (#5), Flat Washer  $\Phi 6$  (#6), Lock Nut M6 (#7)



## Step 2

Assemble the assembled left and right frames by Main Support Tube (#8), Hex Bolt M12\*75(#9), Flat Washer  $\Phi 12$ (#10), Lock Nut M12(#11).

## Step 3

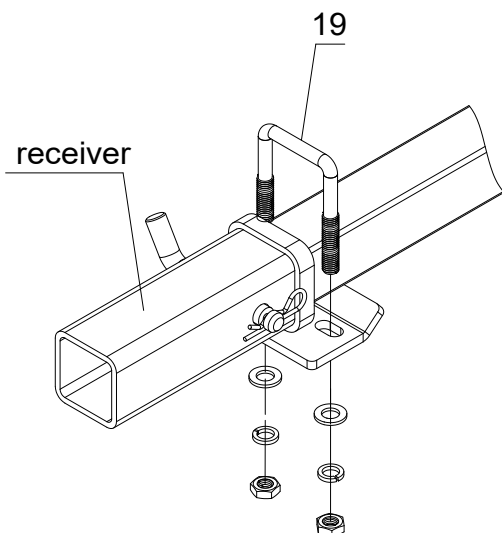
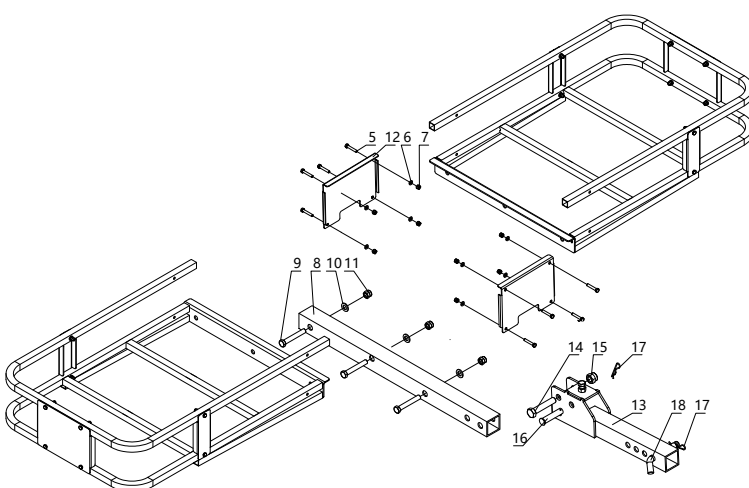
Install the left and right frame connecting plates (#12) with Hex Bolt M6\*30(#5), Flat Washer  $\Phi 6$ (#6), Lock Nut M6(#7), and tighten all bolts and nuts.

## Step 4

Install the Folding Shank Assembly (#13) on the Main Support Tube (#8). Attach with Hex Bolt M16\*85 (#14), Lock Nut M16 (#15), Cylindrical Pin 5/8" (#16), Cotter Pin (#17).

## Step 5

Install the Folding Shank Assembly (#13) on the receiver and connect it with Curved Pin 5/8" (#18), Cotter Pin (#17). Then install the Anti-Rattle Stabilizer (#19).



## Part List

Art	Description	Quantity
1	Upper frame	2
2	lower frame	2
3	Small connecting plate	4
4	Large connection plate	2
5	Hex Bolt M6*30	24
6	Flat Washer $\Phi 6$	24
7	Lock Nut M6	24
8	Main Support Tube	1
9	Hex Bolt M12*75	3
10	Flat Washer $\Phi 12$	3
11	Lock Nut M12	3
12	L&R frame connecting plates	2
13	Folding Shank Assembly	1
14	Hex Bolt M16*85	1
15	Lock Nut M16	1
16	Cylindrical pin 5/8"	1
17	Cotter Pin	2
18	Curved Pin 5/8"	1
19	Anti-Rattle Stabilizer	1