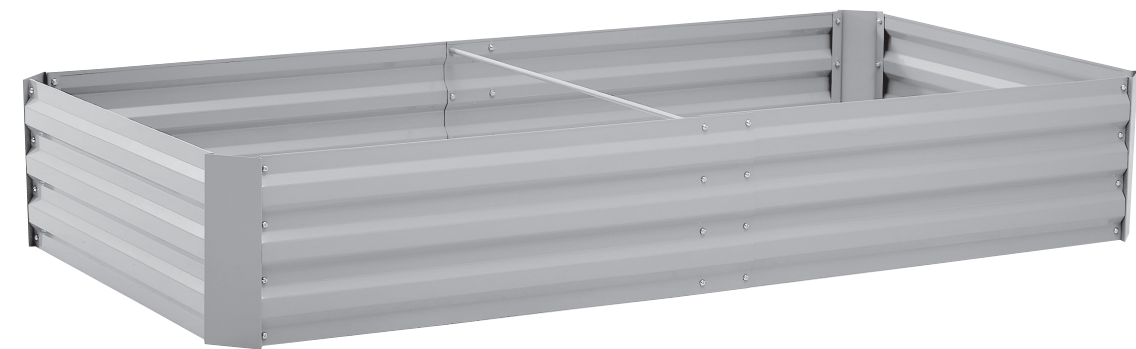




2591419

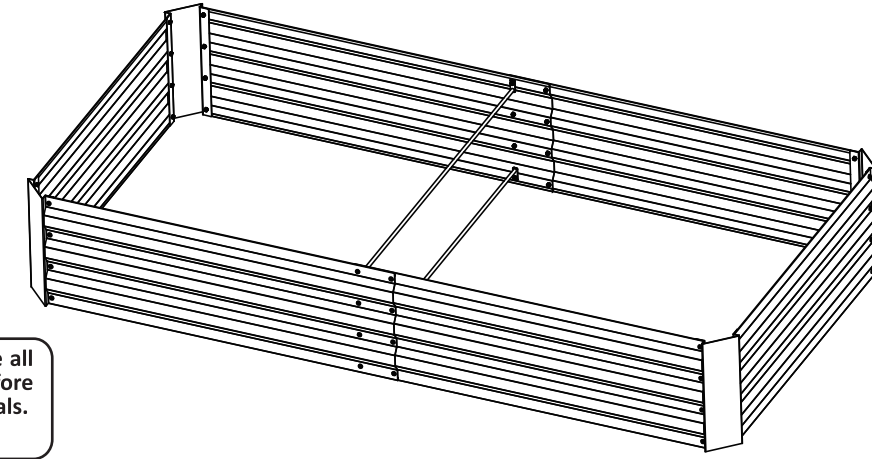
Green Raised Bed Planter

INSTRUCTION MANUAL



Distributed by:
 TRACTOR SUPPLY COMPANY
 5401 VIRGINIA WAY
 BRENTWOOD, TN 37027
 For customer support, call: 1-888-376-9601
 www.TractorSupply.com
 MADE IN THAILAND

Review all care and assembly information carefully before using this product. Save this manual for future reference.
Assemble components on a soft, clean surface to avoid damaging the finish.



Inspect packaging to ensure all parts are accounted for before disposing of packing materials.

No.	Parts	Qty.
A	Side Panel	4
B	End Panel	2
C	Corner	4
D	Center Bar	2
E	M5 x 8 Bolt	44
F	Nut	48
G	M5 x 12 Bolt	4

Tools Required (not included)
 Phillips Screwdriver

TIPS BEFORE YOU START:

- 1.Ensure that all parts are present prior to assembly.
- 2.Check all packing material carefully before discarding,as some parts may be encased in the packing material.
- 3.For ease and speed of assembly,it is recommended that prior to each step all required parts are identified.
- 4.Prepare the site before installation.Level the ground and remove existing vegetation.
- 5.During assembly take care not to over-tighten any fittings,as this may damage the product.
- 6.A layer of gravel or stone can be used at the bottom for improved drainage.

CARE AND MAINTENANCE:

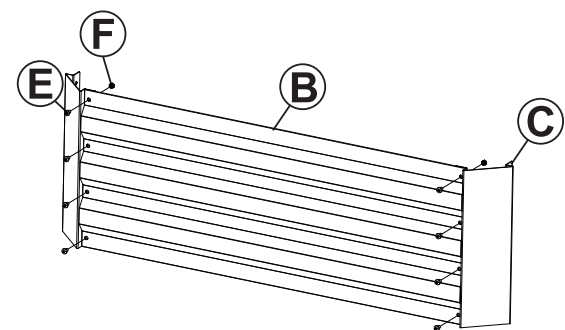
- 1.Please keep children and pets out of assembly area during assembly.
- 2.Do not stand on the planter. Do not sit on the planter.
- 3.Sharp edges use extreme caution.Wear gloves during assembly.

ASSEMBLY

Review all steps and understand assembly before beginning.
Do not fully tighten hardware until all components have been loosely assembled.

STEP 1

- B: 2
- C: 4
- E: 16
- F: 16

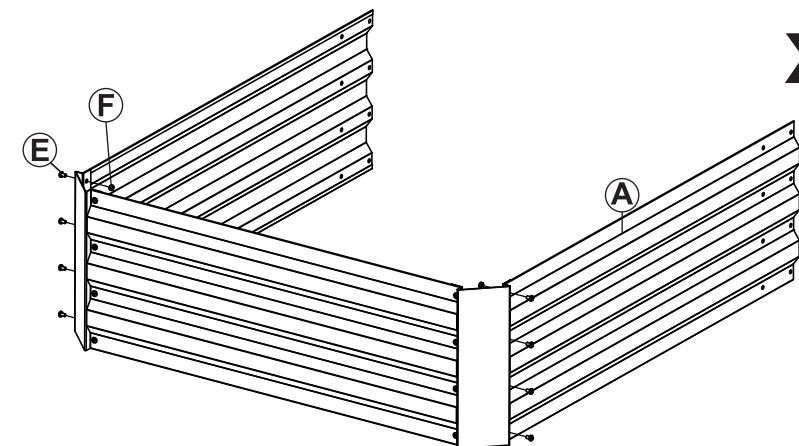


x2

IMPORTANT: Identify the rolled edges of the panels and ensure they are installed facing the inside of the garden bed.

STEP 2

- A: 4
- E: 16
- F: 16



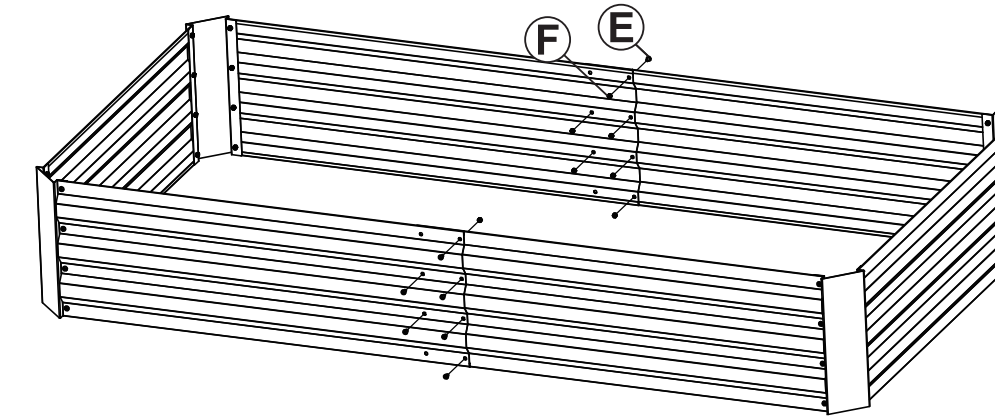
x2

IMPORTANT: One end of the side panels has double mounting holes, install the single-hole side to the corners.

*Periodically check all fittings and re-tighten as necessary.

STEP 3

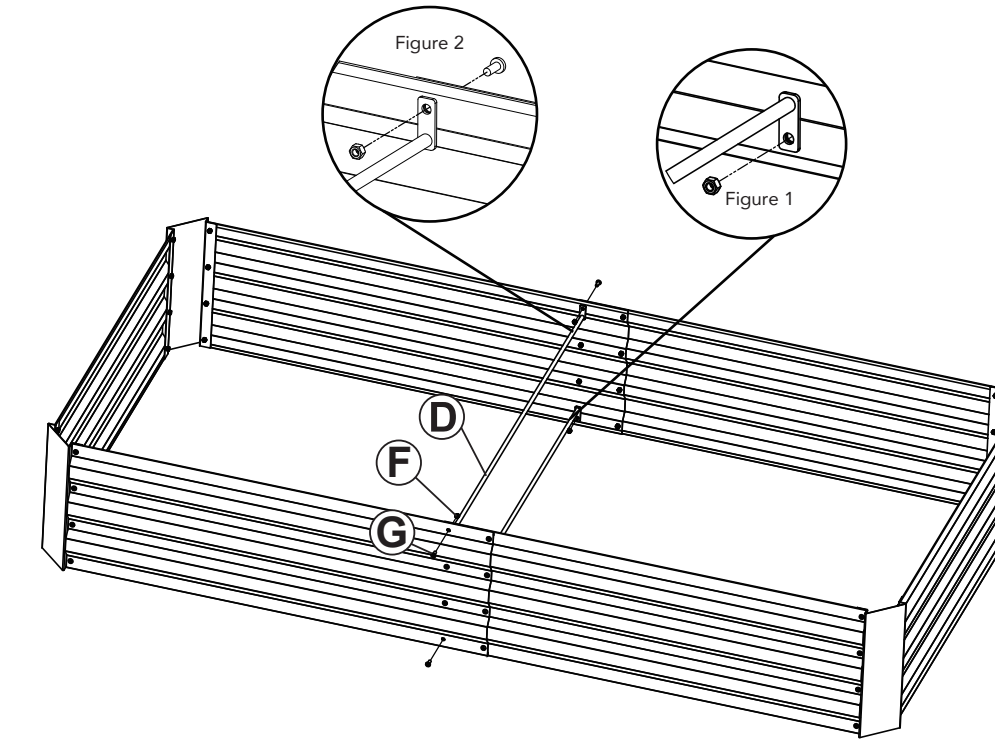
- E: 12
- F: 12



IMPORTANT: The location of hardware installation in the diagram is for maximum stability of the unit, the center bar must be installed in the correct location to achieve optimal structural support.

STEP 4

- D: 2
- F: 4
- G: 4



IMPORTANT: Follow Figure 1,the screw hole of the vertical flat part is downward.
 Follow Figure 2, the screw hole of the vertical flat part is upward.
 Fully tighten all hardware from all previous steps.

*Periodically check all fittings and re-tighten as necessary.