

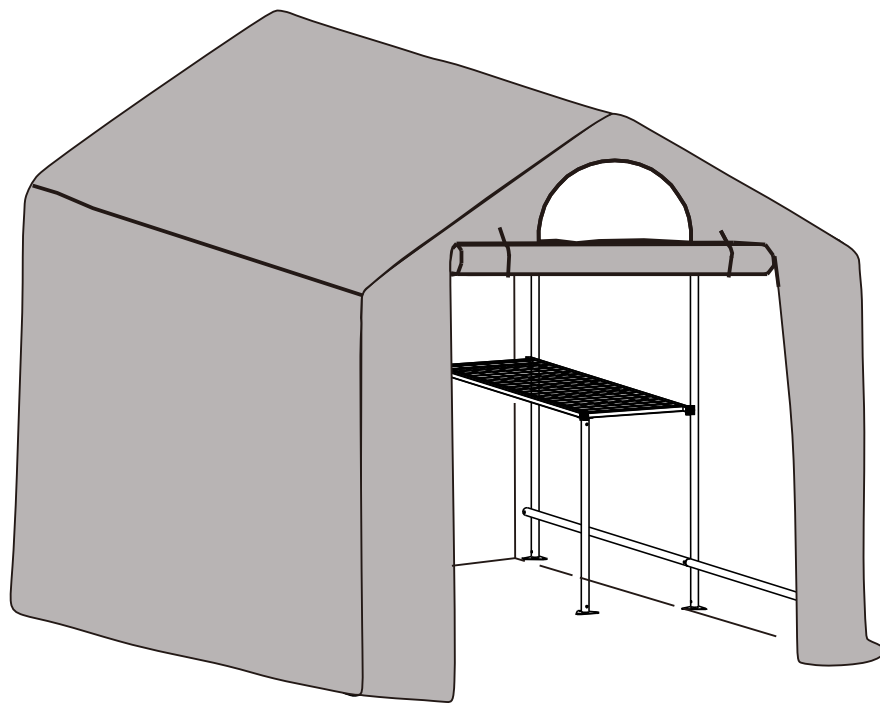


SKU# 2591389

GREEN HOUSE

6'x 8'x 6'

INSTRUCTION MANUAL



Tools required for assembly (not included)



Distributed by: TRACTOR SUPPLY COMPANY
5401 VIRGINIA WAY BRENTWOOD, TN 37027
For customer support, call: 1-888-376-9601

www.TractorSupply.com

MADE IN CAMBODIA

TABLE OF CONTENTS

Important safety instructions	2
Intended use	2
Parts list	3
Assembly preparation	4
Assembly	4 - 6

IMPORTANT SAFETY INSTRUCTIONS



WARNING!

- To reduce the risk of serious injury, read the following safety instructions before assembling and using the product.
 - No responsibility is accepted for damages or injuries resulting from improper installation or noncompliance with these instructions.
 - Please note that the Manufacturer has no control over the elements such as wind, heavy snow or rain. The Manufacturer cannot control the location or soil conditions into which the shed is placed. The Manufacturer, without control of the elements, location or soil conditions, cannot be held responsible for damages caused by the shed to other items or damages to the shed itself.
-
- This product is a temporary structure and is not recommended as a permanent structure.
 - Choose your shed's location carefully. Install your shed on flat horizontal ground only.
 - Ensure enough clearance around the product. Before assembling the product, find level ground not less than 6' (1.8 m) away from any structures or obstructions, such as fences, garages, houses, etc.
 - Check for overhead utility lines, branches, laundry lines, etc. Do not install near roofs or other structures that may shed snow, ice or excessive run-off onto your shed. Keep away from electrical wires!
 - Check municipal by-laws before setting up the product.
 - Get an overview of all parts before attempting installation. Make sure all components are present.
 - Do not use this product in environments for which it is not intended (i.e. extreme cold, high winds, extreme heat, heavy rainfall, etc.).
 - Always wear safety glasses when assembling this product. Wear gloves when working with tubing to prevent cuts or abrasions.
 - Any assembly or maintenance on the product must be carried out by adults only.
 - Make sure you have the necessary manpower when assembling or moving the product.
 - Keep children and pets away while setting up the product.
 - CAUTION! Always keep children under close supervision while they are using this product or are in its vicinity. Never leave children unattended.
 - CAUTION! Anchors must be used with all sheds. Covers should not be installed on any product until it has been properly anchored to the ground.
 - Proper anchoring, keeping the cover tight and free of snow and debris is the responsibility of the consumer. Damages caused by improper anchoring are not included in the warranty.
 - WARNING! Keep all flames and heat sources away from this fabric shed. The fabric will burn if left in continuous contact with a flame source.
 - Do not use product with open flames and heated elements inside or near the product, including all types of stoves, gas heaters, gas lanterns, citronella torches, mosquito coils, etc.
 - WARNING! In order to reduce risk of burning and avoid damage, DO NOT
 - cook, smoke, refuel or use any open flame devices in or around the shed.
 - store flammable liquids (gasoline, kerosene, propane, etc.) in the shed.
 - operate gas-powered vehicles/equipment in or around the shed.
 - Keep open flames a safe distance away from the shed.
 - Do not use hard-edged tools or instruments, such as rakes or shovels, to remove snow. These may puncture the cover.
 - NEVER start the engine of any vehicle or machine inside a closed shed. Ensure good ventilation when starting engines and when doing any work with paints, cleaning agents, etc.
 - This shed is NOT meant to hold heavy snow or ice loads. Snow or ice accumulation may cause your shed to collapse. To avoid overload, brush snow and ice from the roof with a broom or mop.
 - NEVER clear the roof of snow or debris from inside the shed to avoid collapse, damage to property, personal injury and/or death.
 - Remove accumulated water from the roof immediately or disassemble the shed in order to avoid any damage.
 - Do not use alkaline detergents for cleaning. It will damage the polycarbonate material. Soap and warm water are recommended.

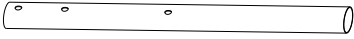

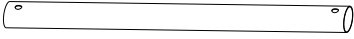
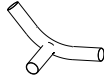
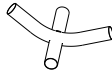

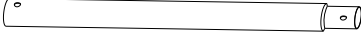

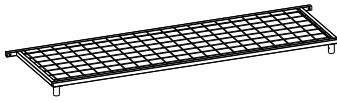
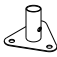
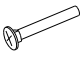
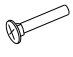


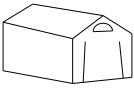

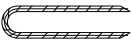


IMPORTANT! READ CAREFULLY AND RETAIN FOR FUTURE REFERENCE

INTENDED USE

This temporary shed is intended to offer protection from damages caused by the sun, light rain, light snow, tree sap, bird and animal excrements. Do not use it to shield goods from high winds, heavy snow or ice storms. Only use it for its intended use.

PART LIST

No.	Description	Illustration	Qty.
1	Vertical leg Tube		6
2	Roof Tube		6
3	Shoulder Tube		6
4	3-way Fitting		6
5	4-way Fitting		3
6	Bottom Horizontal Tube		2
7	Bottom Horizontal Tube (with male end)		2
8	Plant Shelf Leg Tube		2
9	Plant Shelf		1
10	Foot Base		8
11	Bolt M6X60		6
12	Bolt M6X50		2
13	Bolt M6X35		10
14	Nuts M6		18+1
15	Fabric Cover		1
16	Bungees		16
17	Stake		4

ASSEMBLY PREPARATION

- Place all parts from the packaging box in a cleared area and arrange them on the ground in front of you.
- Remove all packaging materials and place them back in the box. Do not dispose of the packaging materials until assembly is complete.
- Check for completeness and transport damages.

WARNING!



- Do not place the product under trees from which hard fruit such as apples, walnuts or heavy pine cones, etc., may fall. The sheds cover only protects against normal leaves and light debris, whereas large branches or other falling items may puncture or tear the cover material.
- Keep children away during assembly. This product contains small parts which can be swallowed by children.
- Do not attempt to assemble the product if any parts are missing.
- At least 2 people are needed to complete the assembly as some of the steps require heavy lifting.



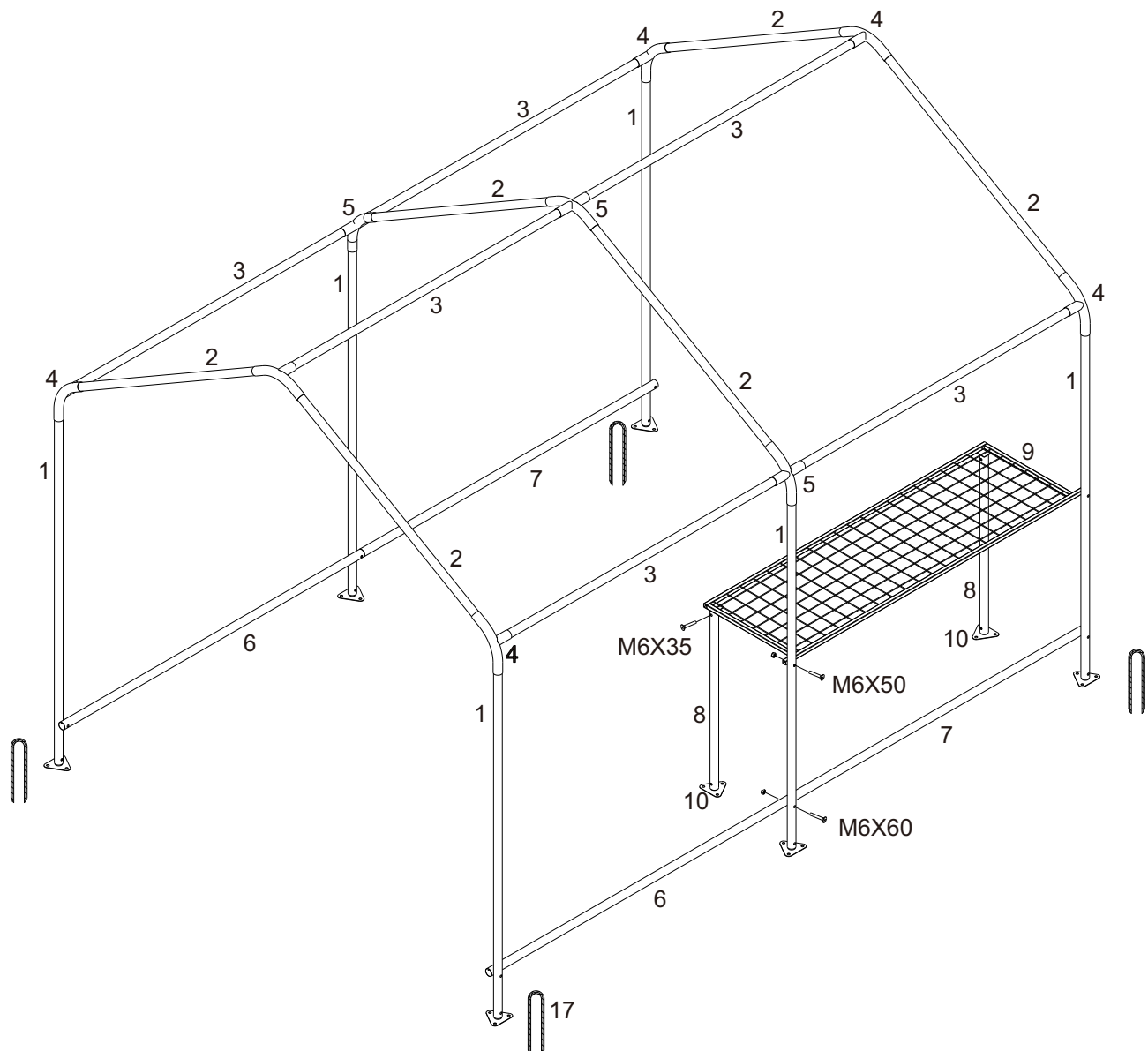
ASSEMBLY



WARNING!

- Do not leave the shed unattended during assembly. Otherwise, personal injury or damage to the shed may occur!

Frame assembly overview

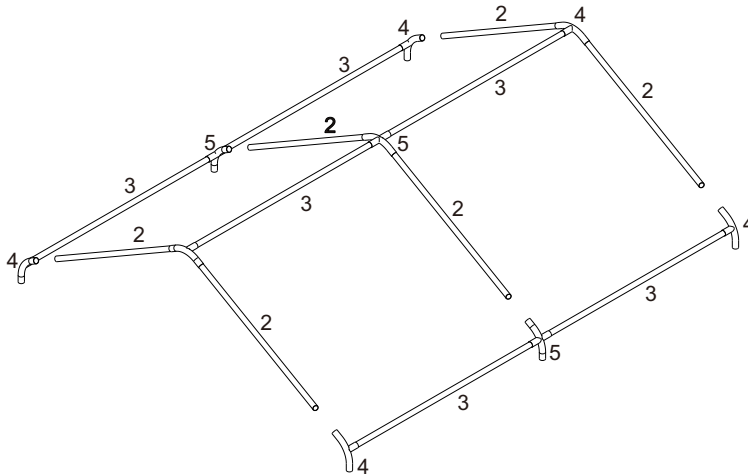


ASSEMBLY

Step 1

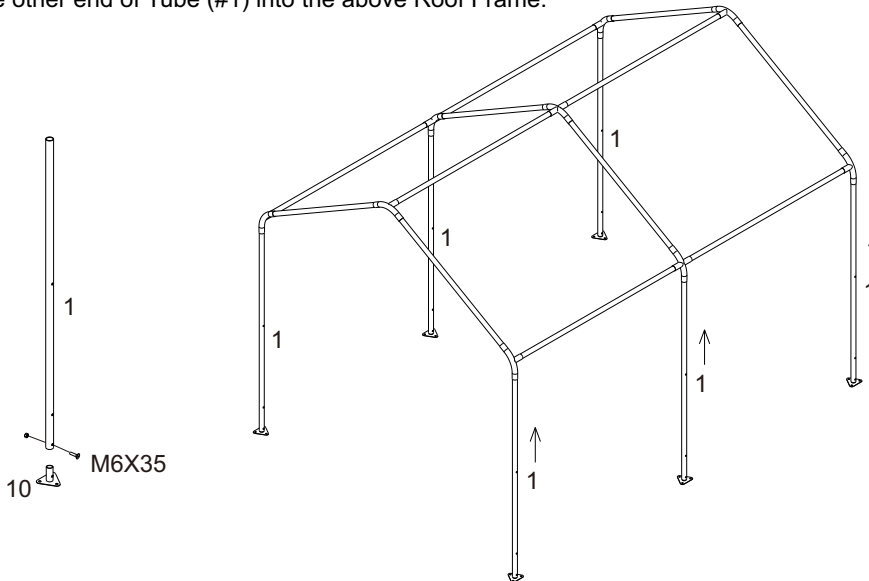
Assembly Roof Frame

Follow below diagram connect the relative tube and parts for the roof.



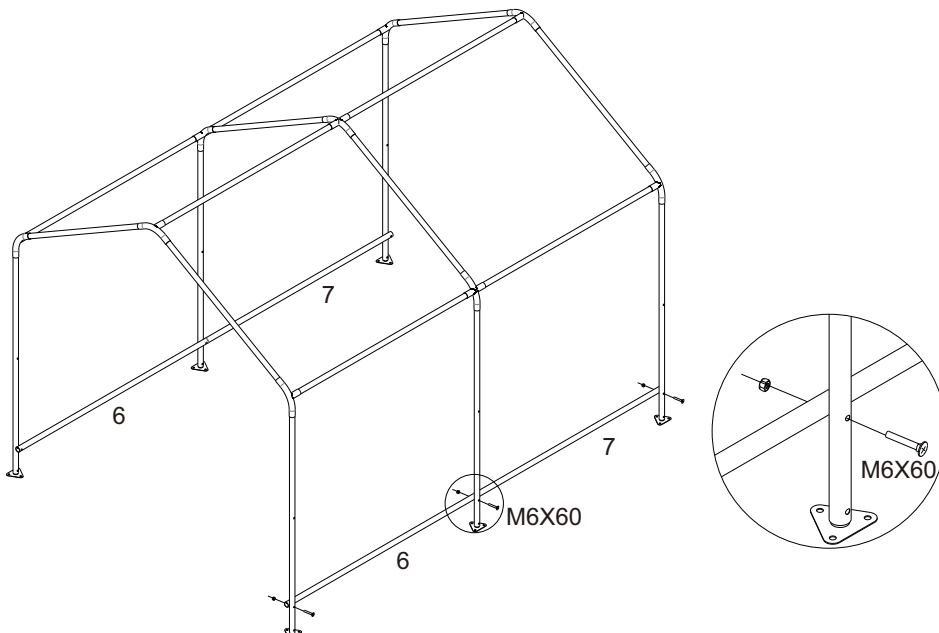
Step 2

1. Fix the Foot Base (#10) to one end of the Tube (#1) by M6x35 Bolts (#13) and Nuts (#14).
2. Insert the other end of Tube (#1) into the above Roof Frame.



Step 3

1. Connect Tube #6 and #7.
2. Follow below diagram fix them to be bottom part of the legs by M6x60 Bolts (#12) and Nuts (#14).

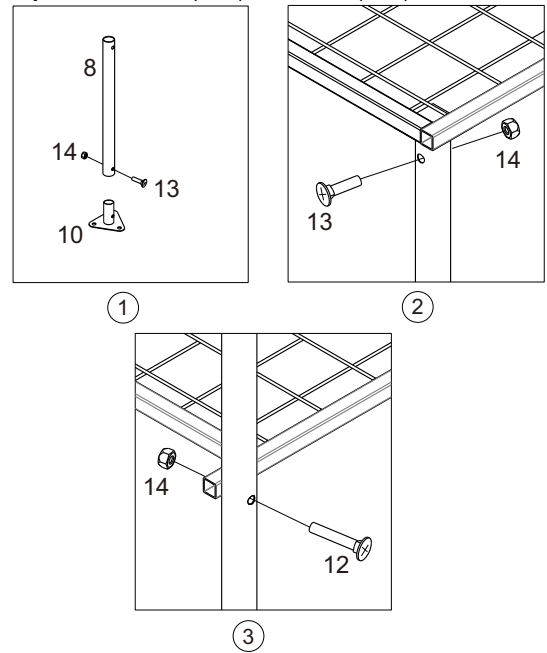
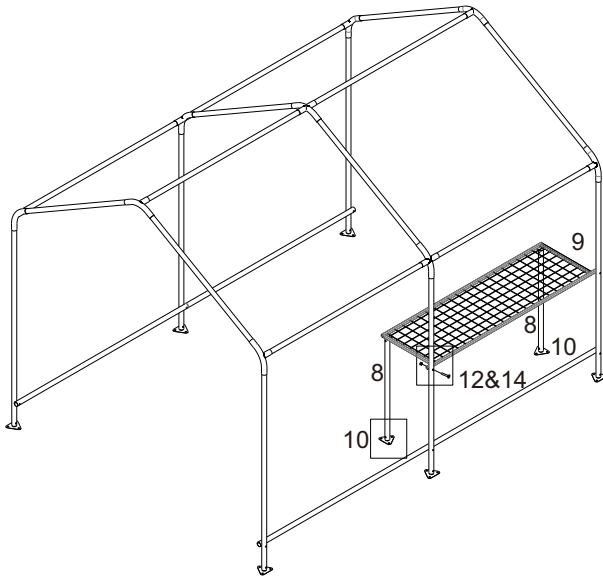


ASSEMBLY

Step 4

Assembly the Plant Shelf

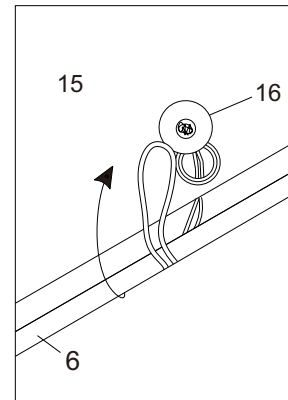
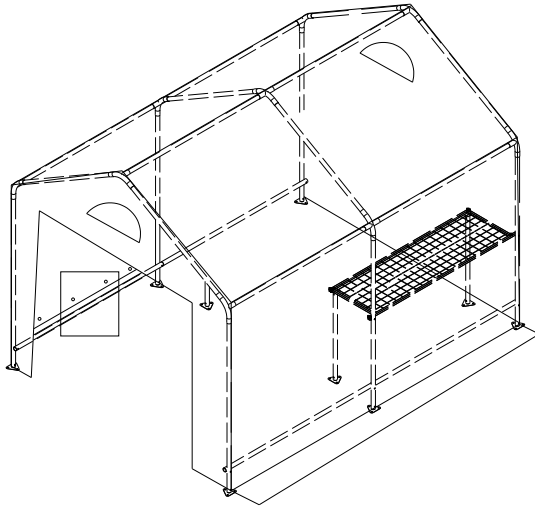
1. Fix the Foot Base (#10) to one end of the Tube (#8) by M6x35 Bolts (#13) and Nuts (#14).
2. Insert the other end of Tube (#8) into the tube receiver on Shelf (#9), also by M6x35 Bolts (#13) and Nuts (#14).
3. Then fix the Shelf to #1 Legs by M6x60 Bolts (#12) and Nuts (#14).



Step 5

Fabric Cover Assembly

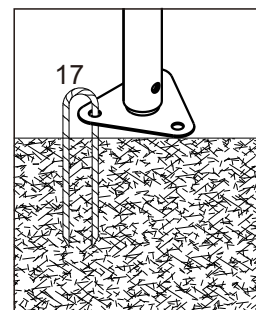
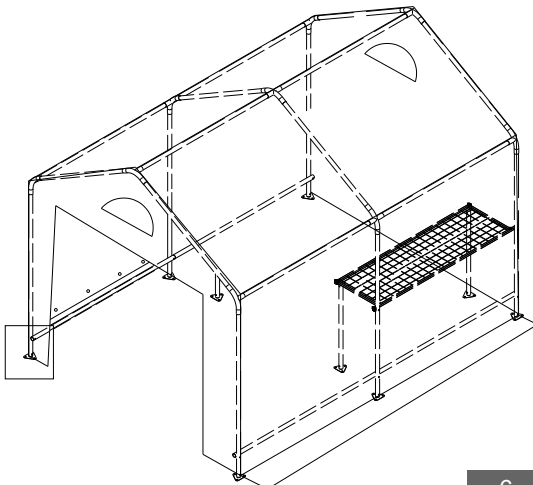
1. Follow below diagram put the Fabric Cover (#15) to the Frame Structure finished above.
2. Then use the Bungees (#16) tight the Cover to the Bottom Horizontal Tube.



Step 6

Assembly the Stakes

After the Cover has been adjusted to the proper location, use the stakes connect the whole pc into the ground in the 4 corners.



Now your green house is ready for use.