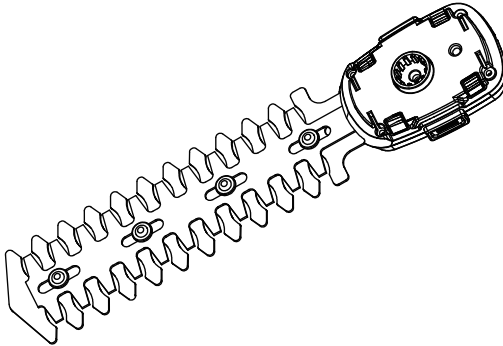
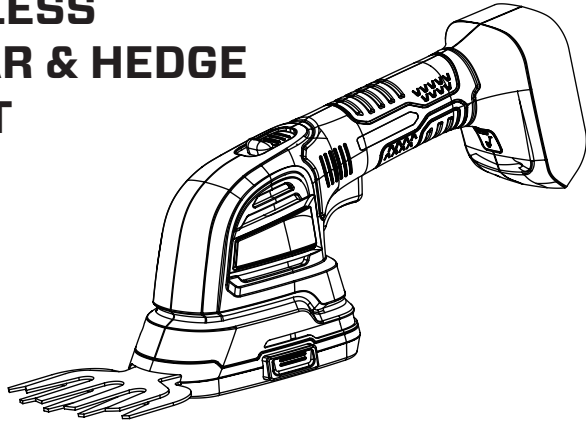




## 2-IN-1 CORDLESS GRASS SHEAR & HEDGE TRIMMER KIT



**CAUTION:** Before using this tool, please read this manual completely, and follow all operating safety measures.

- SAFETY
- ASSEMBLY
- OPERATION
- MAINTENANCE
- WARRANTY

**YAT USA INC.** 10506 Bryton Corporate Center Dr, #500 Huntersville, NC 28078  
For customer support, please call 1-800-261-3981 or email us at [senix.service@yat.com](mailto:senix.service@yat.com)

# TABLE OF CONTENTS

TABLE OF CONTENTS .....	2
SAFETY & INTERNATIONAL SYMBOLS.....	2
SAFETY INSTRUCTIONS.....	3
KNOW YOUR UNIT .....	7
SPECIFICATIONS*.....	8
ASSEMBLY.....	8
OPERATION.....	9
MAINTENANCE.....	12
TROUBLESHOOTING.....	13
WARRANTY.....	14

# SAFETY & INTERNATIONAL SYMBOLS

Explanation of Safety & International Symbols describes safety and international symbols and pictographs that may appear on this product. Read the operator's manual for complete safety, assembly, operating and maintenance and repair information.



Caution / Warning.



To reduce the risk of injury, user must read instruction manual.



Wear eye protection.



Wear a dust mask.



Wear safety footwear.



Wear protective gloves.



Warning: cutting means continues to run after the motor is switched off.



Do not dispose of battery packs in rivers or immerse in water.



Do not dispose of battery packs in fire. They will explode and cause injury.



Use the battery in a maximum temperature of 122°F (50°C).



Do not disassemble, crush, heat above 212°F (100°C); Never expose the battery to microwaves or high pressures.



Keep bystanders a safe distance away from the work area.



Indoor use only. Only use battery charger indoors.

# SAFETY INSTRUCTIONS

## GENERAL POWER TOOL SAFETY WARNINGS



### WARNING!

**Read all safety warnings, instructions, illustrations and specifications, provided with this power tool.** Failure to follow all instructions listed below may result in electric shock, fire and/or serious injury.

**Save all warnings and instructions for future reference.**

The term “power tool” in the warnings refers to your mains-operated (corded) power tool or battery-operated (cordless) power tool.

1. **Work Area Safety**
  - a. **Keep work area clean and well lit.** Cluttered or dark areas invite accidents.
  - b. **Do not operate power tools in explosive atmospheres, such as in the presence of flammable liquids, gases or dust.** Power tools create sparks which may ignite the dust or fumes.
  - c. **Keep children and bystanders away while operating a power tool.** Distractions can cause you to lose control.
2. **Electrical Safety**
  - a. **Do not expose power tools to rain or wet conditions.** Water entering a power tool will increase the risk of electric shock.
3. **Personal Safety**
  - a. **Stay alert, watch what you are doing and use common sense when operating a power tool. Do not use a power tool while you are tired or under the influence of drugs, alcohol or medication.** A moment of inattention while operating power tools may result in serious personal injury.
  - b. **Use personal protective equipment. Always wear eye protection.** Protective equipment such as dust mask, non-skid safety shoes, hard hat, or hearing protection used for appropriate conditions will reduce personal injuries.
  - c. **Prevent unintentional starting. Ensure the switch is in the off-position before connecting to power source and/or battery pack, picking up or carrying the tool.** Carrying power tools with your finger on the switch or energising power tools that have the switch on invites accidents.
  - d. **Remove any adjusting key or wrench before turning the power tool on.** A wrench or a key left attached to a rotating part of the power tool may result in personal injury.
  - e. **Do not overreach. Keep proper footing and balance at all times.** This enables better control of the power tool in unexpected situations.
  - f. **Dress properly. Do not wear loose clothing or jewellery. Keep your hair, clothing and gloves away from moving parts.** Loose clothes, jewellery or long hair can be caught in moving parts.
  - g. **If devices are provided for the connection of dust extraction and collection facilities, ensure these are connected and properly used.** Use of dust collection can reduce dust-related hazards.
  - h. **Do not let familiarity gained from frequent use of tools allow you to become complacent and ignore tool safety principles.** A careless action can cause severe injury within a fraction of a second.
4. **Power Tool Use And Care**
  - a. **Do not force the power tool. Use the correct power tool for your application.** The correct power tool will do the job better and safer at the rate for which it was designed.
  - b. **Do not use the power tool if the switch does not turn it on and off.** Any power tool that cannot be controlled with the switch is dangerous and must be repaired.
  - c. **Disconnect the plug from the power source and/or remove the battery pack, if detachable, from the power tool before making any adjustments, changing accessories, or storing power tools.** Such preventive safety measures reduce the risk of starting the power tool accidentally.
  - d. **Store idle power tools out of the reach of children and do not allow persons unfamiliar with the power tool or these instructions to operate the power tool.** Power tools are dangerous in the hands of untrained users.
  - e. **Maintain power tools and accessories. Check for misalignment or binding of moving parts, breakage of parts and any other condition that may affect the power tool’s operation. If damaged, have the power tool repaired before use.** Many accidents are caused by poorly maintained power tools.
  - f. **Keep cutting tools sharp and clean.** Properly maintained cutting tools with sharp

*cutting edges are less likely to bind and are easier to control.*

- g. **Use the power tool, accessories and tool bits etc. in accordance with these instructions, taking into account the working conditions and the work to be performed.** *Use of the power tool for operations different from those intended could result in a hazardous situation.*
  - h. **Keep handles and grasping surfaces dry, clean and free from oil and grease.** *Slippery handles and grasping surfaces do not allow for safe handling and control of the tool in unexpected situations.*
5. **Battery Tool Use And Care**
- a. **Recharge only with the charger specified by the manufacturer.** *A charger that is suitable for one type of battery pack may create a risk of fire when used with another battery pack.*
  - b. **Use power tools only with specifically designated battery packs.** *Use of any other battery packs may create a risk of injury and fire.*
  - c. **When battery pack is not in use, keep it away from other metal objects, like paper clips, coins, keys, nails, screws or other small metal objects, that can make a connection from one terminal to another.** *Shorting the battery terminals together may cause burns or a fire.*
  - d. **Under abusive conditions, liquid may be ejected from the battery; avoid contact. If contact accidentally occurs, flush with water. If liquid contacts eyes, additionally seek medical help.** *Liquid ejected from the battery may cause irritation or burns.*
  - e. **Do not use a battery pack or tool that is damaged or modified.** *Damaged or modified batteries may exhibit unpredictable behaviour resulting in fire, EXPLOSION or risk of injury.*
  - f. **Do not expose a battery pack or tool to fire or excessive temperature.** *Exposure to fire or temperature above 130 °C may cause explosion.*
  - g. **Follow all charging instructions and do not charge the battery pack or tool outside the temperature range specified in the instructions.** *Charging improperly or at temperatures outside the specified range may damage the battery and increase the risk of fire.*

## 6. Service

- a. **Have your power tool serviced by a qualified repair person using only identical replacement parts.** *This will ensure that the safety of the power tool is maintained.*
- b. **Never service damaged battery packs.** *Service of battery packs should only be performed by the manufacturer or authorized service providers.*

## SAFETY INSTRUCTIONS FOR HEDGE TRIMMERS

- a. **Keep all parts of the body away from the blade. Do not remove cut material or hold material to be cut when blades are moving.** *Blades continue to move after the switch is turned off. A moment of inattention while operating the hedge trimmer may result in serious personal injury.*
- b. **Carry the hedge trimmer by the handle with the blade stopped and taking care not to operate any power switch.** *Proper carrying of the hedge trimmer will decrease the risk of inadvertent starting and resultant personal injury from the blades.*
- c. **When transporting or storing the hedge trimmer, always fit the blade cover.** *Proper handling of the hedge trimmer will decrease the risk of personal injury from the blades.*
- d. **When clearing jammed material or servicing the unit, make sure all power switches are off and the power cord is disconnected.** *Unexpected actuation of the hedge trimmer while clearing jammed material or servicing may result in serious personal injury.*
- e. **Hold the hedge trimmer by insulated gripping surfaces only, because the blade may contact hidden wiring or its own cord.** *Blades contacting a "live" wire may make exposed metal parts of the hedge trimmer "live" and could give the operator an electric shock.*
- f. **Keep all power cords and cables away from cutting area.** *Power cords or cables may be hidden in hedges or bushes and can be accidentally cut by the blade.*
- g. **Do not use the hedge trimmer in bad weather conditions, especially when there is a risk of lightning.** *This decreases the risk of being struck by lightning.*

## SAFETY INSTRUCTIONS FOR GRASS SHEARS

### 1. Training

- Read the instructions carefully. Be familiar with the controls and the correct use of the machine.
- Never allow children or people unfamiliar with these instructions to use the machine. Local regulations can restrict the age of the operator.

### 2. Preparation

- Before use, always visually inspect the machine for damaged, missing or misplaced guards or shields.
- Never operate the machine while people, especially children, or pets are nearby.

### 3. Operation

- Wear eye protection and stout shoes at all times while operating the power tool.
- Avoid using the power tool in bad weather conditions especially when there is a risk of lightning.
- Use the power tool only in daylight or good artificial light.
- Never operate the power tool with damaged guards or shields or without guards or shields in place.
- Switch on the motor only when the hands and feet are away from the cutting means.
- Always disconnect the power tool from the power supply (i.e. remove the plug from the mains remove the disabling device or removable battery)
  - whenever the power tool is left unattended,
  - before clearing a blockage,
  - before checking, cleaning or working on the machine,
  - after striking a foreign object,
  - whenever the machine starts vibrating abnormally.
- Take care against injury to feet and hands from the cutting means.
- Always ensure that the ventilation openings are kept clear of debris.

### 4. Maintenance and storage

- Disconnect the power tool from the power supply (i.e. remove the plug from the mains remove the disabling device or removable battery) before carrying out maintenance or cleaning work.
- Use only the manufacturer's recommended replacement parts and accessories.
- Inspect and maintain the power tool regularly. Have the power tool repaired only

by an authorized service provider.

- When not in use, store the power tool out of the reach of children.



## WARNING!

- Use only the following type and size battery: B20X2/B25X2/B40X2/B50X2.
- When battery pack is not in use, keep it away from other metal objects, like paper clips, coins, keys, nails, screws or other small metal objects, that can make a connection from one terminal to another. Shorting the battery terminals together may cause burns or a fire.
- Under abusive conditions, liquid may be ejected from the battery; avoid contact. If contact accidentally occurs, flush with water. If liquid contacts eyes, additionally seek medical help. Liquid ejected from the battery may cause irritation or burns. (This advice is considered correct for conventional NiMH, NiCd, lead acid and lithium-ion cell types. If this advice is incorrect for a cell design that differs from these, then the correct advice may be substituted.)
- Do not use a battery pack or power tool that is damaged or modified. Damaged or modified batteries may exhibit unpredictable behavior resulting in fire, explosion or risk of injury.
- Do not expose a battery pack or power tool to fire or excessive temperature. Exposure to fire or temperature above 266°F(130°C) may cause explosion.
- Follow all charging instructions and do not charge the battery pack or power tool outside of the temperature range specified in the instructions. Charging improperly or at temperatures outside of the specified range may damage the battery and increase the risk of fire.
- Do not modify or attempt to repair the power tool or the battery pack (as applicable) except as indicated in the instructions for use and care.

## VIBRATION + NOISE REDUCTION

To reduce the impact of noise and vibration emission, limit the time of operation, use low-vibration and low-noise operating modes as well as wear personal protective equipment. Take the following points into account to minimise the vibration and noise exposure risks.

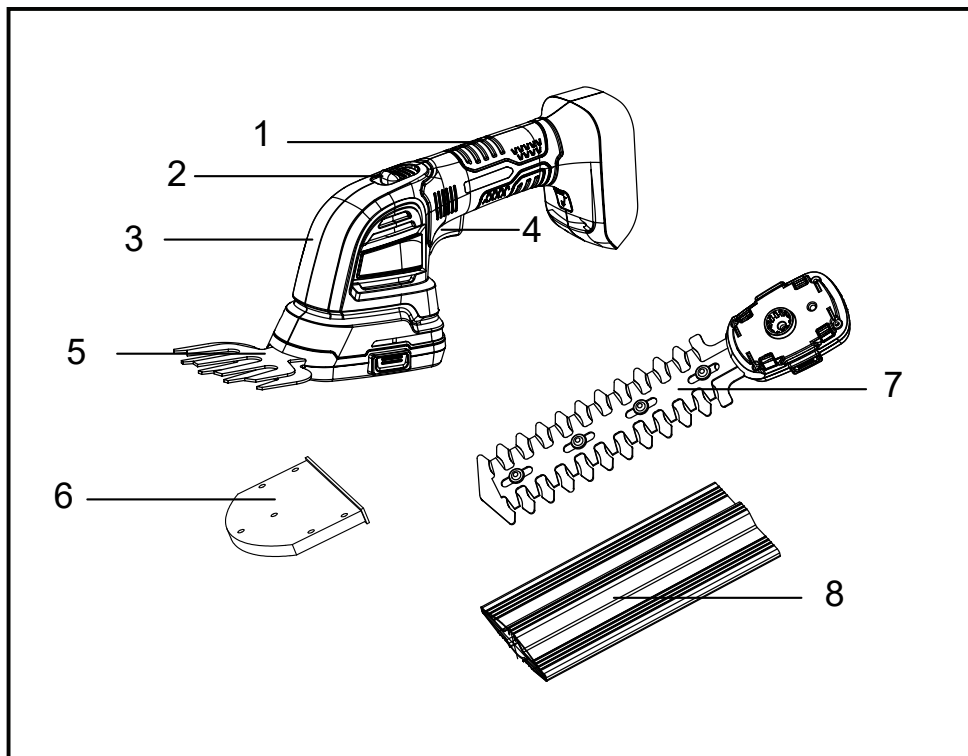
- Only use the product as intended by its design and these instructions.
- Ensure that the product is in good condition and well maintained.
- Use correct attachments for the product and ensure they are in good condition.
- Keep tight grip on the handles/grip surface.
- Maintain this product in accordance with these instructions and keep it well lubricated (where appropriate).
- Plan your work schedule to spread any high vibration tool use across a longer period of time.

## EMERGENCY

Familiarize yourself with the use of this product by means of this instruction manual. Memorize the safety directions and follow them to the letter. This will help to prevent risks and hazards.

- Always be alert when using this product, so that you can recognize and handle risks early. Fast intervention can prevent serious injury and damage to property.
- Switch off the product and remove the battery pack if there are malfunctions. Have the product checked by a qualified professional and repaired, if necessary, before you operate it again.

# KNOW YOUR UNIT



## APPLICATIONS

Model: GSX2-M

As a shrub shear/grass shear:  
trimming hedges, shrubs and grass in  
domestic garden.

1	Handle
2	Safety lock-off button
3	Motor housing
4	ON/OFF trigger

5	Grass shear blade attachment
6	Grass shear blade sheath
7	Hedge trimmer blade attachment
8	Hedge trimmer blade sheath

# SPECIFICATIONS\*

Model	GSX2-M
Input voltage	18 V ≈ (20 V Max*)
Strokes	1250spm   1 250 cpm
Cutting Width Of Grass Shear	4 in   10 cm
Cutting Capacity Of Grass Shear	1 in   2.5 cm
Cutting Capacity Of Shrub Shearde Coupe	0.63 in   1.6 cm
Cutting Length Of Shrub Shear	8 in   20 cm
Weight (without Battery)	2.11 lbs   0.96 kg
Battery Model	B20X2
Rated Voltage	18 V ≈ (20 V Max*)
Rated Capacity	2.0 Ah
Weight	0.89 lbs
Charger Model	CHX2
Rated Input	100 V - 240 V - 50 Hz / 60 Hz
Rated Output	21 V, 2 A
Charging Time (with 2.0 Ah battery)	65 min
Protection class (for charger)	□ / II
Weight	0.75 lbs

\*20V Max battery, maximum initial battery voltage (measured without a workload) is 20V. The nominal voltage is 18V.

## ASSEMBLY

1. Unpack all parts and lay them on a flat, stable surface:
2. Remove all packing materials and shipping devices, if applicable.
3. The scope of delivery varies depending on

the country and purchased variant:  
Model of GSX2-M

- Grass Shears X1
  - Hedge Trimmer Blade Attachment X1
  - Battery Pack X1
  - Charger X1
  - Instruction Manual X1
4. If you find that parts are missing or show damage do not use the product and contact your dealer. Using an incomplete or damaged product represents a hazard to people and property.
  5. Ensure that you have all the accessories and tools needed for assembly and operation. This also includes suitable personal protective equipment.



## WARNING:



Wear protective gloves for this assembly work and always lay the product on a flat and stable surface while assembling. Follow the assembly instructions step-by-step and use the pictures provided as a visual guide to easily assemble the product! Do not insert the battery pack before the power tool is completely assembled or adjusted!

## BLADE ATTACHMENTS

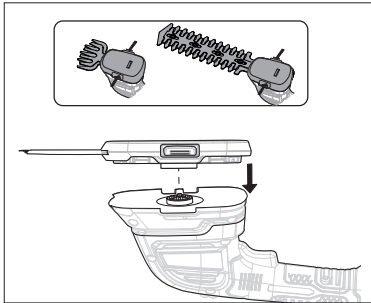


## WARNING:

Only use attachments supplied from the manufacturer on this tool.

To install:  
Press two fasteners, then align and match the shaft with the shaft hole. The attachment will be locked in place after releasing two fasteners.

To remove:  
Unlock the engagement by pressing two fasteners. Dismantle the blade attachment from tool.



## BATTERY PACK

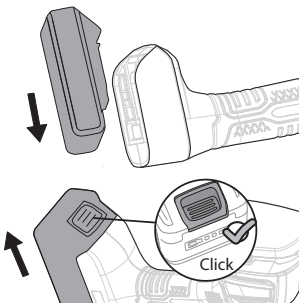


### WARNING:

Make sure the battery pack is locked in docking port before operation. Failure to firmly seat the battery pack could cause the battery pack to fall out, resulting in serious personal injury.

To install :  
Align and slide battery pack to battery docking port until it locks in place.

To remove :  
Press the rail lock release button on battery pack and slide the battery pack out of docking port.



To remove:  
Turn the chuck counterclockwise to open the jaw and pull the bit out of the jaw.

## OPERATION



### WARNING:

Always wear eye, hearing, hand protection to reduce the risk of injury when operating the tool. Keep all parts of your body away from the rotating bit.



### WARNING:

This product is designed for hand use, this product should never be installed on a workbench or any other support.

- Check the product as well as accessories for damage before each use. Do not use the product if it is damaged or shows wear.
- Double check that the accessories and attachments are properly fixed.
- Always hold the product on its handle. Keep the handle dry to ensure safe support.
- Ensure that the air vents are always unobstructed and clear. Clean them if necessary with a soft brush. Blocked air vents may lead to overheating and damage the product.
- Switch the product off immediately if you are disturbed while working by other people entering the working area. Always let the product come to complete stop before putting it down.
- Do not overwork yourself. Take regular breaks to ensure you can concentrate on the work and have full control over the product.
- Before switching the product on, check whether it has been assembled correctly and all the moving parts are running smoothly.
- We recommend slightly dampening surfaces in dusty conditions or using a moist attachment.
- Operate the product only at reasonable hours - not early in the morning or late at night when people might be disturbed.
- Avoid using the product in bad weather conditions, especially when there is a risk of lightning. Do not operate the product in poor lighting. The operator requires a clear view of the work area to identify potential hazards.
- Operating similar tools nearby increases both the risk of hearing injury and the

potential for other persons to enter your work area.

- Keep firm footing and balance.
- Do not overreach. Overreaching can result in loss of balance. Always be sure of the footing on slopes.
- Walk, never run. Keep all parts of your body away from any moving part.
- Never run the product without the proper equipment attached.
- Do not modify the product in any way or use parts and accessories that are not recommended by the manufacturer.
- Do not touch moving hazardous parts before the machine is disconnected from the mains and the moving hazardous parts have come to a complete stop.
- Do not force the blades through dense growth. If the blades slow down, then reduce your cutting pace. Should the blades jam, release the trigger immediately.
- Do not use your fingers to free up jammed blades. Jammed blades can release suddenly causing serious injury. Never touch the blade rail while in operation and be aware of sharp edges even when the battery grass shear is not in use.

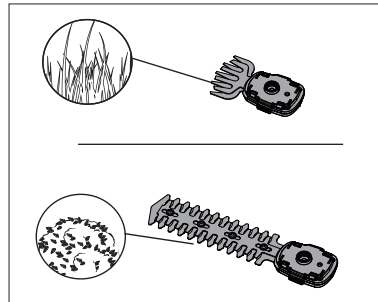
## GENERAL OPERATION

The tool with shrub shear blade attachment can be used to trim branches whose diameter is less than 0.31inch(8mm).

For shrubs or hedges require substantial cut, it's favorable to cut thicker branches beforehand by a hedge trimmer with lager cutting capacity. Then use the tool for further cut.

To shape precisely, run a taught line between the extreme edges of the hedge and then trim along the length of the line.

When trimming a extend lawn area, it's recommended to have it trimmed using a professional grass trimmer first. Then do minor betterment by the tool with grass shear blade attachment.



## SWITCHING ON/OFF

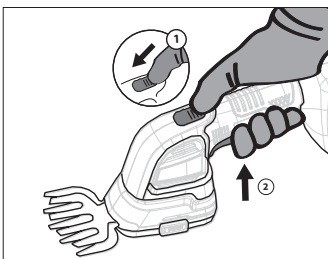


### WARNING:

Ensure the blade does not touch any objects before turning ON.

To turn the tool on, push and hold the safety lock-off button with your thumb, then pull the ON/OFF trigger with your forefinger. Once the tool starts, you can release the safety lock-off button and proceed with operation.

To turn the tool off, release the ON/OFF trigger.



### WARNING:

Never expose blades to hard materials, such as fencing wires or metallic plant supports to protect it from damage.

## CUTTING TIPS

### 1. Shaping

The hedge should be trimmed to achieve a trapezoidal form, it should widen toward the bottom at both sides. This improves the penetration of light to the lower extremities. A general guideline is approximately 3.9inch(10cm) slant for each 1 meter of hedge height.

### 2. Cutting Sequence

First cut both sides, starting at the bottom and working to the top. This prevents cuttings from falling into the area where you are still to work.

3. Trimming the top  
Where the branches have grown extremely long, cut back the hedge in several stages. The shorter cuttings obtained are better suited for composting.

## HOW TO CHARGE THE BATTERY PACK



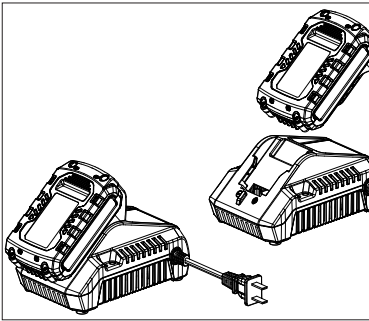
### WARNING:

This Lithium-Ion battery pack is shipped partially charged. Fully charge the battery pack before using it for the first time.



### NOTE:

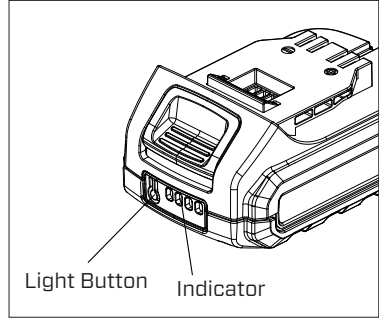
Charge the battery at an ambient temperature range of 32°F - 104°F (0°C - 40°C).



1. Charge the Lithium-Ion battery pack only with the correct charger.
2. Connect the charger to a power supply, the light indicator of the charger turns red.
3. Align the raised ribs of the battery pack with the slot in the charger.
4. Insert the battery pack into the charger, the light indicator of the charger turns green and it flashes.
5. The charger will communicate with the battery pack to evaluate the condition of the battery pack.
6. It is fully charged when the four lights of the battery turn on. Disconnect the power supply from the charger. Remove battery pack from the charger.

## CHARGING INDICATOR

Press the light button on the battery pack to check whether it needs to charge.



Lights			Status
Fully Lit	Off	Blinking	
			75% - 100%
			50% - 75%
			25% - 50%
			5% - 25%
			< 5% (needs to be charged)



### WARNING:

A malfunction may have occurred if all four lights are blinking simultaneously.

## OVERHEAT PROTECTION

When the tool/battery is overheated, the tool stops automatically. In this situation, let the power tool/battery cool before turning the tool on again.

## OVERDISCHARGE PROTECTION

When the battery capacity is not enough, the tool stops automatically. In this case, remove the battery from the tool and charge the battery.

## MAINTENANCE



### WARNING:

Only perform cleaning and maintenance work according to these instructions!  
All further works must be performed by a qualified specialist!



### WARNING:

**TO PREVENT SERIOUS INJURY FROM ACCIDENTAL OPERATION:**  
Make sure the battery pack is removed before performing any procedure in this section.  
**TO PREVENT SERIOUS INJURY FROM TOOL FAILURE:**  
Do not use damaged equipments.  
If abnormal noise or vibration occurs, have the problem corrected before further use.

## CLEANING

1. Keep all safety devices, air vents, and motor housing free of debris and dirt.
2. Wipe up residue with a cloth or sponge.
3. Never flush the tool with water.



### NOTE:

Do not use cleaning agents, as these can attack the plastic and weaken the structural integrity of the grass shear.

## TRANSPORT

1. Switch the product off and remove the battery.
2. Attach blade sheaths.
3. Protect the product from any heavy impact or strong vibrations which may occur during transportation in vehicles.
4. Secure the product to prevent it from slipping or falling over.

## STORAGE

1. Clean thoroughly as described above.
2. Store in a clean, dry, frost-free and well-ventilated area that is inaccessible to children.
3. The ideal storage temperature is between 50°F(10°C) and 86°F(30°C).
4. Do not expose to sunlight.
5. Use original package or cover with a suitable cloth to protect it against dust.



### NOTE:

To prolong battery life, store the battery pack separately from the tool in a 30%-50% charged condition. It's recommended to have your battery pack charged at least every 6 months.

## DISPOSAL

Waste product should not be disposed of with household waste. Please recycle where facilities exist.  
Check with your local authority or retailer for recycling advice.  
Grasses or branches may be cut by the unit during operation, users should clean these objects to protect environment.



Electrical products should not be discarded with household products. Used electrical products must be collected separately and disposed of at collection points provided for this purpose. Talk with your local authorities or dealer for advice on recycling.

# TROUBLESHOOTING

Suspected malfunctions are often due to causes that the users can fix themselves. Therefore, check the product using this section. In most cases the problem can be solved quickly.

PROBLEM	POSSIBLE CAUSE	SOLUTION
Product does not start	Battery pack not properly attached	Attach properly
	Wrong startup steps	Refer to "SWITCHING ON/OFF"
Product does not reach full power	Battery capacity too low	Charge battery
Vibration or noise is excessive	Bolts/nuts are loose	Tighten bolts/nuts
Product suddenly stops	Battery discharged	Charge battery pack
	Battery too hot	Let it cool down

# WARRANTY

## SENIX TOOLS LIMITED WARRANTY

**FOR FIVE YEARS** from the date of original purchase this product is warranted against defects in material or workmanship. **WITH PROOF OF ORIGINAL PURCHASE** a defective product will receive free repair. If the product cannot be repaired it will be replaced free of charge.

For details to obtain warranty coverage, visit [www.senixtools.com](http://www.senixtools.com), email [senix.service@yat.com](mailto:senix.service@yat.com), or call 1-800-261-3981.

- This warranty does not cover repairs necessary due to product accident or abuse, or failure to operate or maintain the product according to all supplied instructions.
- This warranty does not cover an included battery pack or charger, which offer three-year, replacement-only coverage. See battery pack or charger instruction manuals for complete warranty details.
- This warranty does not cover expendable items that can wear out from normal use within the warranty period, including but not limited to drill bits, cutting blades and trimmer spool or line.
- This warranty does not apply to damage resulting from repairs to the product made or attempted by other than SENIX authorized agents.
- This warranty does not cover the cost of mailing or transporting the power tool to receive warranty coverage.
- The warranty is void if the product has been used for commercial, professional, or rental service purposes.
- The warranty applies to the original retail purchaser and is not transferable.
- Proof of purchase is required to obtain warranty coverage.

THIS WARRANTY IS GIVEN IN LIEU OF ALL OTHERS, INCLUDING THE IMPLIED WARRANTY OF MERCHANTABILITY AND FITNESS FOR A PARTICULAR PURPOSE, AND EXCLUDES ALL INCIDENTAL OR CONSEQUENTIAL DAMAGE.

Some states do not allow limitations on how long an implied warranty lasts or the exclusion or limitation of incidental or consequential damages, so these limitations may not apply to you. This warranty gives you specific legal rights and you may have other rights which vary in certain states or provinces.

**NOTE:** Battery pack warranty voided if the battery pack is tampered with in any way. SENIX is not responsible for any injury caused by tampering and may prosecute warranty fraud to the fullest extent permitted by law.

### 90-DAY MONEY-BACK GUARANTEE

If for any reason within 90 days from the date of original purchase you are not completely satisfied with the performance of this SENIX product, you can return it with the original sales receipt for a full refund.

**Latin America:** This warranty does not apply to products sold in Latin America. For products sold in Latin America, see the country-specific warranty information contained in the packaging, call the retailer from which it was purchased, or visit the website for warranty information.

Free warning label replacement: If your warning labels become illegible or are missing, call 1-800-261-3981 for a free replacement.

**REGISTER ONLINE** - [www.senixtools.com/pages/product-registration](http://www.senixtools.com/pages/product-registration)

**Thank you for your purchase! Register your product now for:**

**Warranty Service:** Registering your product will help you obtain more efficient warranty service in case of a problem with your product.

**Confirmation of Ownership:** In case of an insurance loss, such as fire, flood, or theft, your ownership registration will serve as proof of purchase.

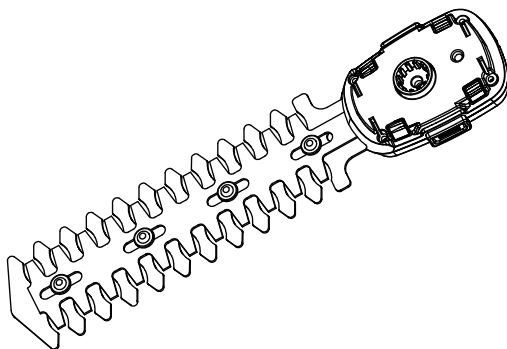
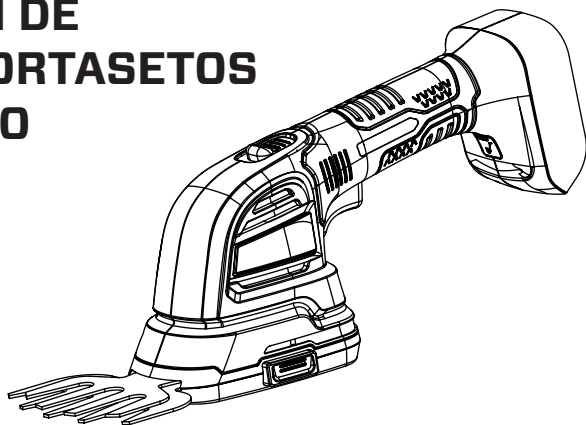
**For your safety:** Registering your product will allow us to contact you in the unlikely event a safety notification is required under the Federal Consumer Safety Act.



**YAT USA INC.** 10506 Bryton Corporate Center Dr, #500 Huntersville, NC 28078  
For customer support, please call 1-800-261-3981 or email us at [senix.service@yat.com](mailto:senix.service@yat.com)



## JUEGO 2 EN 1 DE CIZALLA Y CORTASETOS INALÁMBRICO



**PRECAUCIÓN:** Antes de usar esta herramienta, lea completamente este manual y siga todas las medidas de seguridad de operación.

- SEGURIDAD
- ENSAMBLAJE
- OPERACIÓN
- MANTENIMIENTO
- GARANTÍA

**YAT USA INC.** 10506 Bryton Corporate Center Dr, #500 Huntersville, NC 28078  
Para servicio al cliente en EE.UU., por favor llame al 1-800-261-3981 o envíenos un correo electrónico a [senix.service@yat.com](mailto:senix.service@yat.com)

# ÍNDICE

ÍNDICE .....	16
SEGURIDAD Y SÍMBOLOS INTERNACIONALES	16
INSTRUCCIONES DE SEGURIDAD.....	17
CONOZCA SU UNIDAD.....	21
ESPECIFICACIONES* .....	22
MONTAJE .....	22
OPERACIÓN .....	23
MANTENIMIENTO.....	26
SOLUCIÓN DE PROBLEMAS.....	28
GARANTÍA .....	29

## SEGURIDAD Y SÍMBOLOS INTERNACIONALES

Explicación de los símbolos de seguridad e internacionales describe los símbolos y pictogramas de seguridad e internacionales que pueden aparecer en este producto. Lea el manual del operador para obtener información completa sobre seguridad, montaje, funcionamiento y mantenimiento y reparación.



Precaución / Advertencia.



Para reducir el riesgo de lesiones, el usuario debe leer el manual de instrucciones.



Use protección para los ojos.



Use una mascarilla antipolvo.



Use calzado de seguridad.



Use guantes de protección.



Atención: los medios de corte siguen funcionando después de apagar el motor.



No deseche los paquetes de baterías en los ríos ni los sumerja en agua.



No arroje los paquetes de baterías al fuego. Explotarán y causarán lesiones.



Utilice la batería a una temperatura máxima de 50°C (122°F).



No desensamble, aplaste o caliente por encima de los 100°C (212°F). Nunca exponga la batería a microondas o altas presiones.



Mantenga a los transeúntes a una distancia segura de la zona de trabajo.



Para uso solo en interiores. Utilice el cargador de batería únicamente en interiores.

# INSTRUCCIONES DE SEGURIDAD

## ADVERTENCIAS GENERALES DE SEGURIDAD PARA HERRAMIENTAS ELÉCTRICAS



### ¡ADVERTENCIA!

Lea todas las advertencias de seguridad, instrucciones, ilustraciones y especificaciones que acompañan a esta herramienta eléctrica. Si no se siguen todas las instrucciones indicadas a continuación, pueden producirse descargas eléctricas, incendios y/o lesiones graves.

Guarde todas las advertencias e instrucciones para futuras consultas.

El término “herramienta eléctrica” en las advertencias se refiere a su herramienta eléctrica accionada por la red (con cable) o por batería (sin cable).

1. **Seguridad en la zona de trabajo**
    - a. **Mantenga la zona de trabajo limpia y bien iluminada.** *Las zonas desordenadas u oscuras invitan a los accidentes.*
    - b. **No utilice herramientas eléctricas en atmósferas explosivas, como en presencia de líquidos, gases o polvos inflamables.** *Las herramientas eléctricas crean chispas que pueden inflamar el polvo o los humos.*
    - c. **Mantenga alejados a los niños y a otras personas mientras utiliza una herramienta eléctrica.** *Las distracciones pueden hacerle perder el control.*
  2. **Seguridad eléctrica**
    - a. **No exponga las herramientas eléctricas a la lluvia ni a la humedad.** *La entrada de agua en una herramienta eléctrica aumenta el riesgo de descarga eléctrica.*
  3. **Seguridad personal**
    - a. **Manténgase alerta, preste atención a lo que hace y utilice el sentido común cuando maneje una herramienta eléctrica. No utilice una herramienta eléctrica cuando esté cansado o bajo los efectos de drogas, alcohol o medicamentos.** *Un momento de distracción durante el uso de herramientas eléctricas puede provocar lesiones graves.*
- b. **Utilice equipo de protección individual. Llevar siempre protección ocular.** *Los equipos de protección, como mascarilla antipolvo, calzado de seguridad antideslizante, casco o protección auditiva, utilizados en las condiciones adecuadas, reducirán las lesiones personales.*  
**Evite el arranque involuntario. Asegúrese de que el interruptor está en la posición de apagado antes de conectar la herramienta a la fuente de alimentación y/o a la batería, o antes de coger o transportar la herramienta.** *Llevar las herramientas eléctricas con el dedo en el interruptor o activar las herramientas eléctricas que tienen el interruptor encendido invita a sufrir accidentes.*
  - c. **Retire cualquier llave de ajuste o llave inglesa antes de encender la herramienta eléctrica.** *Si se deja una llave inglesa o una llave fija en una pieza giratoria de la herramienta eléctrica, pueden producirse lesiones personales.*
  - d. **No se estire demasiado. Mantenga el equilibrio y la estabilidad en todo momento.** *Esto permite un mejor control de la herramienta eléctrica en situaciones inesperadas.*
  - e. **Vístase adecuadamente. No lleve ropa suelta ni joyas. Mantenga el pelo, la ropa y los guantes alejados de las piezas en movimiento.** *La ropa suelta, las joyas o el pelo largo pueden quedar atrapados en las piezas móviles.*
  - f. **Si se han previsto dispositivos para la conexión de instalaciones de aspiración y captación de polvo, asegúrese de que estén conectados y se utilicen correctamente.** *El uso de la captación de polvo puede reducir los riesgos relacionados con el polvo.*
  - g. **No deje que la familiaridad adquirida por el uso frecuente de las herramientas le permita volverse complaciente e ignorar los principios de seguridad de las herramientas.** *Una acción descuidada puede causar lesiones graves en una fracción de segundo.*
- a. **Uso y cuidado de las herramientas eléctricas**  
**No fuerce la herramienta eléctrica. Utilice la herramienta eléctrica adecuada para su aplicación.** *La herramienta eléctrica correcta hará el trabajo mejor y de forma más segura al ritmo para el que fue*

diseñada.

- No utilice la herramienta eléctrica si el interruptor no la enciende y apaga.** *Toda herramienta eléctrica que no pueda controlarse con el interruptor es peligrosa y debe repararse.*
- b. **Desconecte el enchufe de la fuente de alimentación y/o retire la batería, si es desmontable, de la herramienta eléctrica antes de realizar cualquier ajuste, cambiar accesorios o almacenar la herramienta eléctrica.** *Estas medidas preventivas de seguridad reducen el riesgo de puesta en marcha accidental de la herramienta eléctrica.*
  - c. **Guarde las herramientas eléctricas en reposo fuera del alcance de los niños y no permita que las manejen personas que no estén familiarizadas con la herramienta eléctrica o con estas instrucciones.** *Las herramientas eléctricas son peligrosas en manos de usuarios sin formación.*
  - d. **Realice el mantenimiento de las herramientas eléctricas y sus accesorios. Compruebe si las piezas móviles están desalineadas o atascadas, si hay piezas rotas o cualquier otra condición que pueda afectar al funcionamiento de la herramienta eléctrica. Si está dañada, haga reparar la herramienta eléctrica antes de utilizarla.** *Muchos accidentes están causados por herramientas eléctricas mal mantenidas.*
  - e. **Mantenga las herramientas de corte afiladas y limpias.** *Las herramientas de corte con un mantenimiento adecuado y bordes de corte afilados tienen menos probabilidades de atascarse y son más fáciles de controlar.*
  - f. **Utilice la herramienta eléctrica, los accesorios y las brocas, etc., de acuerdo con estas instrucciones, teniendo en cuenta las condiciones de trabajo y el trabajo a realizar.** *El uso de la herramienta eléctrica para operaciones distintas de las previstas puede provocar una situación peligrosa.*
  - g. **Mantenga los mangos y las superficies de agarre secos, limpios y sin aceite ni grasa.** *Los mangos y superficies de agarre resbaladizos no permiten manejar y controlar la herramienta con seguridad en situaciones inesperadas.*
5. **Uso y cuidado de las pilas**
- a. **Recarga sólo con el cargador especificado por el fabricante.** *Un cargador adecuado para un tipo de batería puede crear riesgo de incendio si se utiliza con otro tipo de batería.*
  - b. **Utilice las herramientas eléctricas sólo con los paquetes de baterías específicamente designados.** *El uso de cualquier otra batería puede crear riesgo de lesiones e incendio.*
  - c. **Cuando no utilice la batería, manténgala alejada de otros objetos metálicos, como clips, monedas, llaves, clavos, tornillos u otros objetos metálicos pequeños, que puedan hacer conexión de un terminal a otro.** *Un cortocircuito entre los terminales de la batería puede provocar quemaduras o un incendio.*
  - d. **En condiciones abusivas, puede salir líquido de la batería; evite el contacto. En caso de contacto accidental, enjuague con agua. Si el líquido entra en contacto con los ojos, acuda a un médico.** *El líquido expulsado por la batería puede provocar irritaciones o quemaduras.*
  - e. **No utilice BATERIAS o herramientas dañadas o modificadas.** *Las baterías dañadas o modificadas pueden mostrar un comportamiento impredecible con el consiguiente riesgo de incendio, EXPLOSIÓN o lesiones.*
  - f. **No exponga la batería o la herramienta al fuego o a temperaturas excesivas.** *La exposición al fuego o a temperaturas superiores a 130 °C puede provocar una explosión.*
  - g. **Siga todas las instrucciones de carga y no cargue la batería ni la herramienta fuera del intervalo de temperatura especificado en las instrucciones.** *Una carga inadecuada o a temperaturas fuera del rango especificado puede dañar la batería y aumentar el riesgo de incendio.*
6. **Servicio**
- a. **Encargue el mantenimiento de su herramienta eléctrica a un técnico cualificado que utilice únicamente piezas de repuesto idénticas.** *De este modo se garantiza la seguridad de la herramienta eléctrica..*
  - b. **Nunca repare baterías dañadas.** *El mantenimiento de las baterías sólo debe ser realizado por el fabricante o por un servicio técnico autorizado.*

## INSTRUCCIONES DE SEGURIDAD PARA CORTASETOS

- a. **Mantenga todas las partes del cuerpo alejadas de la cuchilla. No retire el material cortado ni sujete el material a cortar cuando las cuchillas estén en movimiento.** *Las cuchillas continúan moviéndose después de apagar el interruptor. Un momento de distracción durante el uso del cortasetos puede provocar lesiones personales graves.*
- b. **Transporte el cortasetos por el asa con la cuchilla parada y teniendo cuidado de no accionar ningún interruptor de alimentación.** *El transporte adecuado del cortasetos disminuirá el riesgo de arranque involuntario y las consiguientes lesiones personales causadas por las cuchillas.*
- c. **Cuando transporte o guarde el cortasetos, coloque siempre la cubierta de la cuchilla.** *El manejo adecuado del cortasetos disminuirá el riesgo de lesiones personales causadas por las cuchillas.*
- d. **Al retirar material atascado o realizar tareas de mantenimiento en la unidad, asegúrese de que todos los interruptores de alimentación estén apagados y de que el cable de alimentación esté desconectado.** *El accionamiento inesperado de la tijera cortasetos durante la limpieza de material atascado o el mantenimiento puede provocar lesiones personales graves.*
- e. **Sujete el cortasetos únicamente por las superficies de agarre aisladas, ya que la cuchilla puede entrar en contacto con cables ocultos o con su propio cable.** *El contacto de las cuchillas con un cable "vivo" puede hacer que las partes metálicas expuestas del cortasetos estén "vivas" y podrían provocar una descarga eléctrica al operador.*
- f. **Mantenga todos los cables eléctricos alejados de la zona de corte.** *Los cables de alimentación pueden estar ocultos en setos o arbustos y pueden ser cortados accidentalmente por la cuchilla.*
- g. **No utilice el cortasetos en condiciones meteorológicas adversas, especialmente cuando exista riesgo de rayos.** *Esto disminuye el riesgo de ser alcanzado por un rayo.*

## INSTRUCCIONES DE SEGURIDAD PARA TIJERAS CORTACÉSPED

1. **Formación**
  - Lea atentamente las instrucciones. Familiarícese con los mandos y el uso correcto de la máquina..
  - No permita nunca que niños o personas no familiarizadas con estas instrucciones utilicen la máquina. La normativa local puede restringir la edad del operador.
2. **Preparación**
  - Antes de utilizar la máquina, inspecciónela siempre visualmente para comprobar que no haya guardas o protectores dañados, ausentes o mal colocados.
  - No utilice nunca la máquina en presencia de personas, especialmente niños, o animales domésticos
3. **Operación**
  - Utilice protección ocular y calzado resistente en todo momento mientras maneja la herramienta eléctrica.
  - Evite utilizar la herramienta eléctrica en condiciones meteorológicas adversas, especialmente si hay riesgo de rayos.
  - Utilice la herramienta eléctrica sólo a la luz del día o con buena luz artificial.
  - No utilice nunca la herramienta eléctrica con las protecciones dañadas o sin ellas.
  - Encienda el motor sólo cuando las manos y los pies estén alejados de los medios de corte.
  - Desconecte siempre la herramienta eléctrica de la red eléctrica (es decir, desenchúfela de la luz y retire el dispositivo de desactivación o la batería extraíble).
    - siempre que la herramienta eléctrica quede desatendida,
    - antes de eliminar un atasco,
    - antes de revisar, limpiar o trabajar en la máquina,
    - después de golpear un objeto extraño,
    - siempre que la máquina comience a vibrar de forma anormal.
  - Tenga cuidado de no herirse los pies y las manos con los medios de corte.
  - Asegúrese siempre de que las aberturas de ventilación estén libres de residuos.
4. **Mantenimiento y almacenamiento**
  - Antes de realizar trabajos de mantenimiento o limpieza, desconecte la herramienta eléctrica de la red eléctrica (es decir, desenchúfela de la red y retire

el dispositivo de desconexión o la batería extraíble).

- Utilice únicamente las piezas de repuesto y los accesorios recomendados por el fabricante.
- Inspeccione y realice el mantenimiento de la herramienta eléctrica con regularidad. Encargue la reparación de la herramienta eléctrica únicamente a un servicio técnico autorizado.
- Cuando no utilice la herramienta eléctrica, guárdela fuera del alcance de los niños.



## WARNING!

- Utilice sólo el siguiente tipo y tamaño de batería: B20X2/B25X2/B40X2/B50X2.
- Cuando la batería no esté en uso, manténgala alejada de otros objetos metálicos, como clips, monedas, llaves, clavos, tornillos u otros objetos metálicos pequeños, que puedan hacer una conexión de un terminal a otro. Un cortocircuito entre los terminales de la batería puede provocar quemaduras o un incendio.
- En condiciones abusivas, puede salir líquido de la batería; evite el contacto. En caso de contacto accidental, enjuague con agua. Si el líquido entra en contacto con los ojos, solicite asistencia médica. El líquido expulsado de la batería puede causar irritación o quemaduras. (Este consejo se considera correcto para los tipos de pilas convencionales de NiMh, NiCd, plomo-ácido e iones de litio. Si este consejo es incorrecto para un diseño de celda que difiere de éstos, entonces el consejo correcto puede ser sustituido).
- No utilice una batería o herramienta eléctrica que esté dañada o modificada. Las baterías dañadas o modificadas pueden mostrar un comportamiento impredecible que provoque incendios, explosiones o riesgo de lesiones.
- No exponga la batería ni la herramienta eléctrica al fuego ni a temperaturas excesivas. La exposición al fuego o a temperaturas superiores a 130°C(266°F) puede provocar una explosión.
- Siga todas las instrucciones de carga y no cargue la batería ni la herramienta eléctrica fuera del intervalo de temperatura especificado en las instrucciones. Una carga incorrecta o a temperaturas fuera del rango especificado puede dañar la batería

y aumentar el riesgo de incendio.

- No modifique ni intente reparar la herramienta eléctrica o la batería (según corresponda), excepto en los casos indicados en las instrucciones de uso y mantenimiento

## REDUCCIÓN DE VIBRACIONES Y RUIDO

Para reducir el impacto de la emisión de ruido y vibraciones, limite el tiempo de funcionamiento, utilice modos de funcionamiento de baja vibración y bajo nivel de ruido, así como utilice equipos de protección individual. Tenga en cuenta los siguientes puntos para minimizar los riesgos de exposición a vibraciones y ruido.

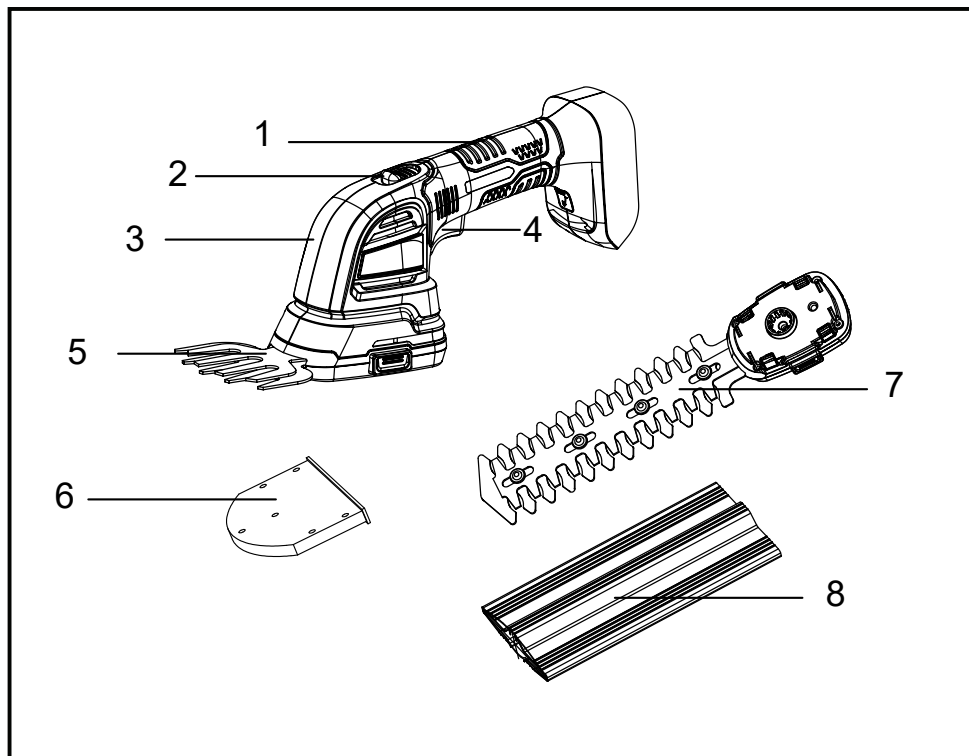
- Utilice el producto únicamente conforme a su diseño y a estas instrucciones.
- Asegúrese de que el producto está en buenas condiciones y bien mantenido.
- Utilice los accesorios adecuados para el producto y asegúrese de que están en buenas condiciones.
- Mantenga un agarre firme en las asas/superficie de agarre.
- Mantenga este producto de acuerdo con estas instrucciones y manténgalo bien lubricado (cuando proceda).
- Planifique su horario de trabajo para distribuir el uso de herramientas de alta vibración a lo largo de un período de tiempo más prolongado.

## EMERGENCIA

Familiarícese con el uso de este producto mediante este manual de instrucciones. Memorice las indicaciones de seguridad y sígalas al pie de la letra. Esto ayudará a prevenir riesgos y peligros.

- Esté siempre alerta cuando utilice este producto, para poder reconocer y gestionar los riesgos a tiempo. Una intervención rápida puede evitar lesiones graves y daños materiales.
- Apague el producto y retire la batería en caso de avería. Haga revisar el producto por un profesional cualificado y, si es necesario, repárelo antes de volver a utilizarlo.

# CONOZCA SU UNIDAD



## APLICACIONES

Modelo: GSX2-M

Como cizalla para arbustos/césped:  
recorte de setos, arbustos y césped en el  
jardín doméstico.

1	Empuñadura
2	Botón de bloqueo de seguridad
3	Carcasa del motor
4	Gatillo Encendido / apagado

5	Cuchilla de corte de hierba
6	Vaina de la cuchilla de la cizalla de hierba
7	Accesorio para cuchillas cortasetos
8	Funda para cuchilla de cortasetos

# ESPECIFICACIONES\*

Modelo	GSX2-M
Voltaje de entrada	18 V ≈ (20 V Max*)
Trazos	1250spm   1 250 cpm
Anchura de corte de la tijera para hierba	4 in   10 cm
Capacidad de corte de la tijera para hierba	1 in   2.5 cm
Capacidad de corte de la tijera de cortasetos	0.63 in   1.6 cm
Longitud de corte de la tijera de cortasetos	8 in   20 cm
Peso ( sin batería)	2.11 lbs   0.96 kg
Battery Model	B20X2
Rated Voltage	18 V ≈ (20 V Max*)
Rated Capacity	2.0 Ah
Weight	0.89 lbs
Charger Model	CHX2
Rated Input	100 V - 240 V - 50 Hz / 60 Hz
Rated Output	21 V, 2 A
Charging Time (with 2.0 Ah battery)	65 min
Protection class (for charger)	□ / II
Weight	0.75 lbs

\*Batería de 20 V máx., el voltaje inicial máximo de la batería (medido sin carga de trabajo) es de 20 V. El voltaje nominal es de 18 V.

## MONTAJE

1. Desembale todas las piezas y colóquelas sobre una superficie plana y estable:
2. Retire todos los materiales de embalaje y dispositivos de envío, si procede.
3. El alcance de la entrega varía según el país

y la variante adquirida:

Modelo de GSX2-M

- Cizalla X1
  - Accesorio cortaseto X1
  - Batería de 2,0 Ah X1
  - Cargador de 20 V X1
  - Manual de instrucciones X1
4. Si observa que faltan piezas o presentan daños, no utilice el producto y póngase en contacto con su distribuidor. El uso de un producto incompleto o dañado representa un peligro para las personas y los bienes.
  5. Asegúrese de que dispone de todos los accesorios y herramientas necesarios para el montaje y el funcionamiento. Esto incluye también el equipo de protección personal adecuado.



## ¡ADVERTENCIA!:



Lleve guantes protectores para estas tareas de montaje y coloque siempre el producto sobre una superficie plana y estable mientras lo monta. Siga las instrucciones de montaje paso a paso y utilice las imágenes proporcionadas como guía visual para montar fácilmente el producto. No coloque la batería antes de que la herramienta eléctrica esté completamente montada o ajustada.

## ACCESORIOS PARA CUCHILLAS



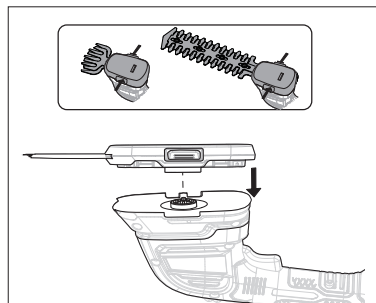
### ADVERTENCIA:

C Utilice en esta herramienta únicamente los accesorios suministrados por el fabricante.

Para instalar:

Presione dos sujetadores, luego alinee y haga coincidir el eje con el orificio del eje. El accesorio se bloqueará en su lugar después de soltar dos sujetadores.

Para desmontarlo:  
Desbloquee el enganche presionando los dos  
cierres. Desmonte el accesorio de la cuchilla  
de la herramienta.



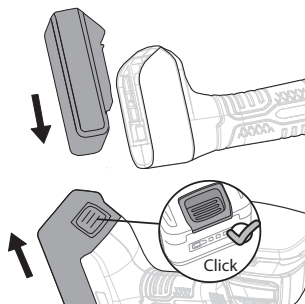
## PAQUETE DE BATERÍAS

### ADVERTENCIA:

Asegúrese de que el paquete de baterías está  
bloqueado en el puerto de acoplamiento antes  
de utilizarlo. Si no se asienta firmemente la  
batería, ésta podría caerse y provocar lesiones  
personales graves.

Para instalar :  
Alinee y deslice el paquete de baterías en el  
puerto de acoplamiento de baterías hasta que  
encaje en su lugar.

Para extraerla :  
Presione el botón de liberación de bloqueo del  
carril de la batería y deslice la batería fuera del  
puerto de acoplamiento.



Para extraerla:  
Gire el portabrocas en sentido antihorario para  
abrir la mordaza y extraiga la broca de la mordaza.

## OPERACIÓN

### ADVERTENCIA:

Utilice siempre protección ocular, auditiva y de  
manos para reducir el riesgo de lesiones al uti-  
lizar la herramienta. Mantenga todas las par-  
tes del cuerpo alejadas de la broca giratoria.

### ADVERTENCIA:

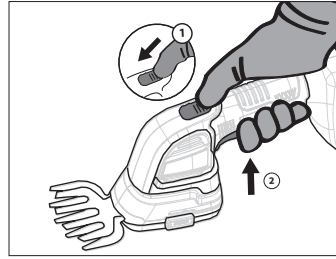
Este producto está diseñado para uso manual,  
nunca debe instalarse sobre un banco de  
trabajo o cualquier otro soporte.

- Antes de cada uso, compruebe que el producto y los accesorios no estén dañados. No utilice el producto si está dañado o muestra desgaste.
- Compruebe que los accesorios e implementos están bien fijados.
- Sujete siempre el producto por el asa. Mantenga el asa seca para garantizar un apoyo seguro.
- Asegúrese de que las rejillas de ventilación estén siempre libres y despejadas. Si es necesario, límpielas con un cepillo suave. Las rejillas de ventilación obstruidas pueden provocar un sobrecalentamiento y dañar el producto.
- Apague inmediatamente el producto si durante el trabajo le molestan otras personas que entren en la zona de trabajo. Deje siempre que el producto se detenga por completo antes de bajarlo.
- No trabajes en exceso. Tómate descansos regulares para poder concentrarte en el trabajo y tener pleno control sobre el producto.
- Antes de encender el producto, compruebe que se ha montado correctamente y que todas las piezas móviles funcionan correctamente.
- Recomendamos humedecer ligeramente las superficies polvorientas o utilizar un accesorio húmedo.
- Utiliza el producto sólo a horas razonables, no a primera hora de la mañana ni a última hora de la noche, cuando la gente pueda estar molesta.
- Evite utilizar el producto en condiciones meteorológicas adversas, especialmente cuando exista riesgo de rayos. No utilice el producto con poca luz. El operario necesita

una visión clara de la zona de trabajo para identificar posibles peligros.

- Utilizar herramientas similares cerca aumenta tanto el riesgo de lesiones auditivas como la posibilidad de que otras personas entren en su zona de trabajo.
- Mantén los pies firmes y el equilibrio.
- No se estire demasiado. Si lo hace, puede perder el equilibrio. Asegúrese siempre de pisar bien en las pendientes.
- Camine, nunca corra. Mantén todas las partes de tu cuerpo alejadas de cualquier parte móvil.
- No utilice nunca el producto sin el equipo adecuado.
- No modifique el producto en modo alguno ni utilice piezas y accesorios no recomendados por el fabricante.
- No toque las piezas móviles peligrosas antes de que la máquina esté desconectada de la red eléctrica y las piezas móviles peligrosas se hayan detenido por completo.
- No fuerce las cuchillas a través de la vegetación densa. Si las cuchillas se ralentizan, reduzca el ritmo de corte. Si las cuchillas se atascan, suelte el gatillo inmediatamente.
- No utilice los dedos para liberar las cuchillas atascadas. Las cuchillas atascadas pueden soltarse repentinamente y causar lesiones graves. No toque nunca el carril de la cuchilla mientras esté en funcionamiento y tenga cuidado con los bordes afilados incluso cuando no esté utilizando la cizalla para hierba a batería.

Para apagar la herramienta, suelte el gatillo encendido / apagado.



## FUNCIONAMIENTO GENERAL

La herramienta con cuchilla de cizalla para arbustos se puede utilizar para recortar ramas cuyo diámetro sea inferior a 8 mm (0,31 pulg.). Para los arbustos o setos que requieren un corte sustancial, es favorable cortar las ramas más gruesas de antemano por un cortasetos con mayor capacidad de corte. A continuación, utilice la herramienta para el corte posterior. Para recortar con precisión, trace una línea entre los bordes extremos del seto y recorte a lo largo de la línea.

Al recortar una zona de césped extensa, se recomienda hacerlo primero con un cortabordes profesional. A continuación, realice pequeñas mejoras con la herramienta con cuchilla de cizalla para césped.

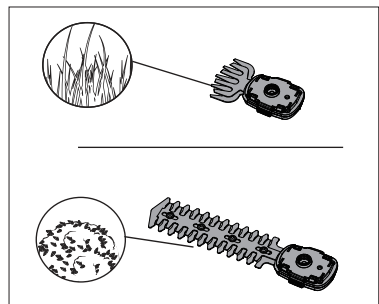
## ENCENDIDO Y APAGADO



### ADVERTENCIA:

Asegúrese de que la cuchilla no toca ningún objeto antes de encenderla.

Para encender la herramienta, mantenga pulsado el botón de bloqueo de seguridad con el pulgar y, a continuación, apriete el gatillo ON/OFF con el índice. Una vez que la herramienta se pone en marcha, puede soltar el botón de bloqueo de seguridad y continuar con la operación.



### ADVERTENCIA:

No exponga nunca las cuchillas a materiales duros, como alambres de vallas o soportes metálicos de plantas, para protegerlas de posibles daños.

## CONSEJOS DE CORTE

1. Dando forma a  
El seto debe recortarse para conseguir una forma trapezoidal, debe ensancharse hacia el fondo a ambos lados. Esto mejora la penetración de la luz a las extremidades inferiores. Una orientación general es de aproximadamente 10 cm de inclinación por cada metro de altura de seto.
2. Secuencia de corte  
Primero corte ambos lados, empezando por abajo y trabajando hacia arriba. Así evitará que los recortes caigan en la zona en la que aún debe trabajar.
3. Recorte de la parte superior  
Si las ramas han crecido mucho, recorte el seto en varias etapas. Los esquejes más cortos obtenidos son más adecuados para el compostaje.

## CÓMO CARGAR EL PAQUETE DE BATERÍA



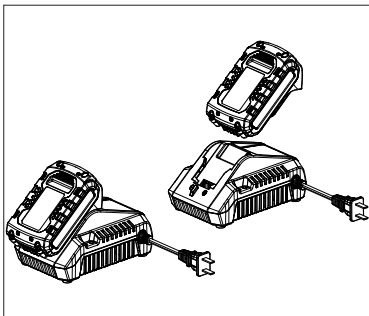
### ADVERTENCIA:

Este paquete de batería de iones de litio se envía parcialmente cargado. Cargue por completo el paquete de batería antes de usarlo por primera vez.



### NOTA:

Cargue la batería a una temperatura ambiente comprendida entre 0 °C y 40 °C (32 °F y 104 °F).

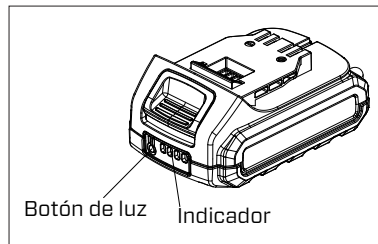










1. Cargue el paquete de batería de iones de litio solo con el cargador indicado.

2. Conecte el cargador a una fuente de alimentación; el indicador luminoso del cargador se pondrá en rojo.
3. Alinee las ranuras levantadas del paquete de batería con la ranura en el cargador.
4. Inserte el paquete de batería en el cargador, la luz indicadora del cargador se enciende en verde y parpadea.
5. El cargador comunica con el paquete de batería para evaluar su condición.
6. Está completamente cargado cuando se encienden las cuatro luces de la batería. Desconecte el cargador del suministro de energía. Retire el paquete de batería del cargador.

## INDICADOR DE CARGA

Presione el botón de luz en el paquete de batería para comprobar si necesita cargarse.



Luces			Estatus
Iluminado	Apagado	Parpadeo	
			
			75% - 100%
			50% - 75%
			25% - 50%
			5% - 25%
			< 5% (necesita cargarse)



## ADVERTENCIA:

Es posible que se esté produciendo una avería si las cuatro luces parpadean en secuencia.

## PROTECCIÓN CONTRA SOBRECALENTAMIENTO

Cuando la herramienta eléctrica/batería se sobrecalienta, la herramienta se detiene automáticamente. En este caso, deje enfriar la herramienta eléctrica/batería antes de volver a encenderla.

## PROTECCIÓN CONTRA SOBREDSCARGA

Cuando la capacidad de la batería está por debajo de un nivel seguro, la herramienta se detiene automáticamente. Si esto ocurre, retire la batería de la herramienta y cárguela.

## MANTENIMIENTO



### ADVERTENCIA:

Realice los trabajos de limpieza y mantenimiento únicamente de acuerdo con estas instrucciones.

Todos los demás trabajos deben ser realizados por un especialista cualificado.



### ADVERTENCIA:

PARA EVITAR LESIONES GRAVES POR FUNCIONAMIENTO ACCIDENTAL:

Asegúrese de que la batería esté extraída antes de realizar cualquier procedimiento de esta sección.

PARA EVITAR LESIONES GRAVES HERRAMIENTA:

No utilice equipos dañados.

Si se producen ruidos o vibraciones anormales, haga corregir el problema antes de seguir utilizando la herramienta.

## LIMPIEZA

1. Mantenga todos los dispositivos de seguridad, rejillas de ventilación y carcasa del motor libres de residuos y suciedad.
2. Limpie los residuos con un paño o una esponja.
3. No enjuague nunca la herramienta con agua.



### NOTA:

No utilice productos de limpieza, ya que pueden atacar el plástico y debilitar la integridad estructural de la cizalla para hierba.

## TRANSPORTE

1. Apague el producto y retire la batería.
2. Coloca las fundas de las cuchillas.
3. Proteja el producto de golpes fuertes o vibraciones intensas que puedan producirse durante el transporte en vehículos.
4. Asegure el producto para evitar que resbale o se caiga.

## ALMACENAMIENTO

1. Limpie a fondo como se ha descrito ante-

- riormente.
2. Almacenar en un lugar limpio, seco, sin escarcha y bien ventilado, inaccesible a los niños.
  3. La temperatura ideal de almacenamiento oscila entre 10°C (50°F) y 30°C (86°F).
  4. No exponer a la luz solar.
  5. Utilice el embalaje original o cúbralo con un paño adecuado para protegerlo del polvo.



## NOTA:

Para prolongar la vida útil de la batería, guárdela separada de la herramienta con una carga del 30%-50%. Se recomienda cargar la batería al menos cada 6 meses.

## DISPOSICIÓN

El producto de desecho no debe eliminarse con residuos domésticos. Por favor, recicle donde haya instalaciones para ello.

Consulte a las autoridades locales o a su distribuidor para obtener información sobre reciclaje.

La unidad puede cortar hierba o ramas durante el funcionamiento; los usuarios deben limpiar estos objetos para proteger el medio ambiente.



Los productos eléctricos no deben desecharse con los productos domésticos. Los productos eléctricos usados deben recogerse por separado y desecharse en los puntos de recogida previstos a tal efecto. Póngase en contacto con las autoridades locales o con su distribuidor para que le asesoren sobre el reciclaje.

# SOLUCIÓN DE PROBLEMAS

Las sospechas de mal funcionamiento suelen deberse a causas que los propios usuarios pueden solucionar. Por lo tanto, compruebe el producto utilizando esta sección. En la mayoría de los casos, el problema puede resolverse rápidamente.

PROBLEMA	POSIBLE CAUSA	SOLUCIÓN
El producto no arranca	Batería mal colocada	Fijar correctamente
	Pasos de inicio erróneos	Consulte "ENCENDIDO/ APAGADO".
El producto no alcanza la potencia máxima	Capacidad de la batería demasiado baja	Cargar batería
Vibración o ruido excesivos	Pernos/tuercas sueltos	Apretar tornillos/tuercas
El producto se detiene repentinamente	Batería descargada	Cargar la batería
	c Batería demasiado caliente	Deje que se enfríe

# GARANTÍA

## GARANTÍA LIMITADA DE HERRAMIENTAS SENIX

**DURANTE CINCO AÑOS** a partir de la fecha de compra original, este producto está garantizado contra defectos de material o mano de obra. **CON PRUEBA DE COMPRA ORIGINAL** un producto defectuoso recibirá reparación gratuita. Si el producto no se puede reparar, se reemplazará sin cargo. Para obtener detalles sobre la cobertura de la garantía, visite [www.senixtools.com](http://www.senixtools.com), envíe un correo electrónico a [senix.service@yat.com](mailto:senix.service@yat.com) o llame al 1-800-261-3981.

### Excepciones

- Esta garantía no cubre las reparaciones necesarias debido a un accidente o abuso del producto, o por no operar o mantener el producto de acuerdo con todas las instrucciones proporcionadas.
- Esta garantía no cubre el paquete de batería ni el cargador incluidos, que ofrecen una cobertura de reemplazo de tres años únicamente. Consulte los manuales de instrucciones del paquete de baterías o del cargador para conocer los detalles completos de la garantía.
- Esta garantía no cubre elementos fungibles que pueden desgastarse por el uso normal dentro del período de garantía, incluidos, entre otros, brocas, hojas de corte y hilo de corte.
- Esta garantía no se aplica a los daños resultantes de las reparaciones del producto realizadas o intentadas por otros agentes que no sean autorizados por SENIX.
- Esta garantía no cubre el costo de envío o transporte de la herramienta eléctrica para recibir la cobertura de la garantía.
- La garantía queda anulada si el producto se ha utilizado con fines comerciales, profesionales o de servicio de alquiler.
- La garantía se aplica al comprador minorista original y no es transferible.
- Se requiere comprobante de compra para obtener la cobertura de la garantía.

ESTA GARANTÍA SE OFRECE EN LUGAR DE TODAS LAS DEMÁS, INCLUYENDO LA GARANTÍA IMPLÍCITA DE COMERCIABILIDAD E IDONEIDAD PARA UN FIN DETERMINADO, Y EXCLUYE TODO DAÑO INCIDENTAL O CONSECUENTE. Algunos estados no permiten limitaciones sobre la duración de una garantía implícita o la exclusión o imitación de daños incidentales o consecuentes, por lo que es posible que estas limitaciones no se apliquen a usted. Esta garantía le otorga derechos legales específicos y es posible que tenga otros derechos que varían en ciertos estados o provincias.

**NOTA:** La garantía de la batería se anula si el paquete de baterías se manipula de alguna manera. SENIX no es responsable de ningún daño causado por la manipulación y puede procesar el fraude de garantía en la mayor medida permitida por la ley.

**GARANTÍA DE DEVOLUCIÓN DE DINERO DE 90 DÍAS** Si por algún motivo dentro de los 90 días a partir de la fecha de compra original no está completamente satisfecho con el rendimiento de este producto SENIX, puede devolverlo con el recibo de compra original para obtener un reembolso completo.

**América Latina:** Esta garantía no se aplica a los productos vendidos en América Latina. Para los productos vendidos en América Latina, consulte la información de garantía específica del país que se incluye en el empaque, llame al minorista donde se compró o visite el sitio web para obtener información sobre la garantía.

Reemplazo gratuito de etiquetas de advertencia; si sus etiquetas de advertencia se vuelven ilegibles o faltan, llame al 1-800-261-3981 para obtener un reemplazo gratuito.

**REGÍSTRESE EN LÍNEA** - [www.senixtools.com/pages/product-registration](http://www.senixtools.com/pages/product-registration)

Gracias por su compra! Registre su producto ahora para:

**Servicio de garantía:** registrar su producto lo ayudará a obtener un servicio de garantía más eficiente en caso de que surja un problema con su producto.

**Confirmación de propiedad:** en caso de pérdida del seguro, como incendio, inundación o robo, su registro de propiedad servirá como prueba de compra.

**Para su seguridad:** El registro de su producto nos permitirá comunicarnos con usted en el improbable caso de que se requiera una notificación de seguridad conforme a la Ley Federal de Seguridad del Consumidor.



YAT USA INC. 10506 Bryton Corporate Center Dr, #500 Huntersville, NC 28078

Para servicio al cliente en EE.UU., por favor llame al 1-800-261-3981 o envíenos un correo electrónico a [senix.service@yat.com](mailto:senix.service@yat.com)

### SÓLAMENTE PARA PROPÓSITO DE MÉXICO

Importado y Distribuido por SENIX TOOLS S. DE R.L. DE C.V.

Puerto Grande 201, Salinas Victoria, Nuevo León, C.P. 65500 Tel. 81-8280-7117 | R.F.C. ST0211234L5

Para localizar los centros de servicio autorizados y franquiciados en la República Mexicana, donde podrá hacer efectiva su garantía y adquirir partes, refacciones y accesorios originales, contactarnos al teléfono **81-8280-7117** ó al correo electrónico [contacto@senixtools.com.mx](mailto:contacto@senixtools.com.mx)

Para haber efectiva esta garantía deberá presentar la herramienta, y esta póliga sellada por el establecimiento comercial donde se adquirió el producto, de no contar con ésta, bastará el comprobante de compra (recibo, nota, o factura).

### PÓLIZA DE GARANTÍA

#### IDENTIFICACIÓN DEL PRODUCTO

Sello of firma del Distribuidor: \_\_\_\_\_

Nombre del producto: \_\_\_\_\_

Número de modelo: \_\_\_\_\_

Número de serie: \_\_\_\_\_

Marca: \_\_\_\_\_

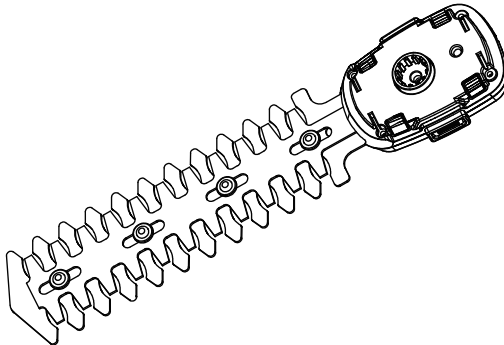
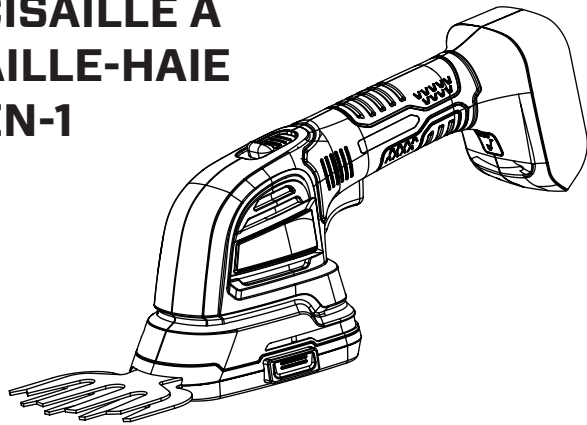
#### (Datos para ser llenados por el Distribuidor)

Fecha de compra y/o fecha de entrega del product: \_\_\_\_\_

Nombre y domicilio del Distribuidor donde se adquirió el producto: \_\_\_\_\_



## ENSEMBLE CISAILLE À GAZON ET TAILLE-HAIE SANS FIL 2-EN-1



**ATTENTION:** Avant d'utiliser cet outil, lisez attentivement ce manuel et suivez toutes les consignes de sécurité.

- SÉCURITÉ
- MONTAGE
- FONCTIONNEMENT
- ENTRETIEN
- GARANTIE

**YAT USA INC.** 10506 Bryton Corporate Center Dr, #500 Huntersville, NC 28078  
Pour le service clientèle, veuillez appeler le 1-800-261-3981 ou nous envoyer un courriel à [senix.service@yat.com](mailto:senix.service@yat.com)

# TABLE DES MATIÈRES

TABLE DES MATIÈRES.....	31
SÉCURITÉ ET SYMBOLES INTERNATIONAUX	31
INSTRUCTIONS DE SÉCURITÉ .....	32
CONNAÎTRE SON UNITÉ .....	36
SPÉCIFICATIONS* .....	37
ASSEMBLAGE.....	37
FONCTIONNEMENT .....	38
ENTRETIEN .....	41
DÉPANNAGE.....	43
GARANTIE .....	45

# SÉCURITÉ ET SYMBOLES INTERNATIONAUX

Explication des symboles de sécurité et internationaux décrit les symboles et pictogrammes de sécurité et internationaux qui peuvent apparaître sur ce produit. Lisez le manuel de l'opérateur pour obtenir des informations complètes sur la sécurité, l'assemblage, le fonctionnement, l'entretien et les réparations.



Attention / Avertissement.



Pour réduire le risque de blessure, l'utilisateur doit lire le manuel d'instructions.



Porter des lunettes de protection.



Porter un masque anti-poussière.



Portez des chaussures solides et antidérapantes.



Porter des gants de protection.



Attention : le dispositif de coupe continue de fonctionner après l'arrêt du moteur.



Ne pas jeter les piles dans les rivières ou les immerger dans l'eau.



Ne jetez pas les piles au feu. Elles exploseraient et provoqueraient des blessures.



Utilisez la batterie à une température maximale de 50°C (122°F).



Ne pas démonter, écraser, chauffer à plus de 100°C (212°F) ; ne jamais exposer la batterie aux micro-ondes ou à la haute pression.



Maintenir les spectateurs à une distance sûre de la zone de travail.



Utilisation à l'intérieur uniquement. N'utilisez le chargeur de batterie qu'à l'intérieur.

# INSTRUCTIONS DE SÉCURITÉ

## AVERTISSEMENTS GÉNÉRAUX DE SÉCURITÉ POUR LES OUTILS ÉLECTRIQUES



### AVERTISSEMENT!

Lisez tous les avertissements de sécurité, les instructions, les illustrations et les spécifications fournis avec cet outil électrique. Le non-respect de toutes les instructions énumérées ci-dessous peut entraîner un choc électrique, un incendie et/ou des blessures graves.

Conservez tous les avertissements et toutes les instructions pour pouvoir vous y référer ultérieurement.

Le terme "outil électrique" utilisé dans les avertissements fait référence à l'outil électrique fonctionnant sur secteur (avec fil) ou à l'outil électrique fonctionnant sur batterie (sans fil).

#### 1. Sécurité sur le lieu de travail

- a. **Maintenir la zone de travail propre et bien éclairée.** Les zones encombrées ou sombres sont propices aux accidents.
- b. **N'utilisez pas d'outils électriques dans des atmosphères explosives, par exemple en présence de liquides, de gaz ou de poussières inflammables.** Les outils électriques produisent des étincelles qui peuvent enflammer la poussière ou les fumées.
- c. **Tenez les enfants et les personnes présentes à l'écart lorsque vous utilisez un outil électrique.** Les distractions peuvent vous faire perdre le contrôle.

#### 2. Sécurité électrique

- a. **Ne pas exposer les outils électriques à la pluie ou à l'humidité.** La pénétration d'eau dans un outil électrique augmente le risque d'électrocution.

#### 3. Sécurité personnelle

- a. **Restez vigilant, regardez ce que vous faites et faites preuve de bon sens lorsque vous utilisez un outil électrique. N'utilisez pas d'outil électrique si vous êtes fatigué ou sous l'influence de drogues, d'alcool ou de médicaments.**

Un moment d'inattention lors de l'utilisation d'outils électriques peut entraîner des blessures graves.

- b. **Utiliser des équipements de protection individuelle. Toujours porter des lunettes de protection.** Les équipements de protection tels que le masque anti-poussière, les chaussures de sécurité antidérapantes, le casque ou les protections auditives utilisés dans des conditions appropriées réduiront les dommages corporels.
  - c. **Empêchez tout démarrage involontaire. S'assurer que l'interrupteur est en position d'arrêt avant de brancher la source d'alimentation et/ou le bloc-piles, de prendre ou de transporter l'outil.** Porter des outils électriques avec le doigt sur l'interrupteur ou mettre sous tension des outils électriques dont l'interrupteur est allumé invite à des accidents.
  - d. **Retirez toute clé de réglage ou clé à molette avant de mettre l'outil en marche.** Une clé laissée attachée à une pièce rotative de l'outil électrique peut entraîner des blessures.
  - e. **Ne pas dépasser les limites. Garder le pied et l'équilibre à tout moment.** Cela permet de mieux contrôler l'outil électrique dans des situations inattendues.
  - f. **S'habiller correctement. Ne portez pas de vêtements amples ni de bijoux. Tenez vos cheveux, vos vêtements et vos gants à l'écart des pièces mobiles.** Les vêtements amples, les bijoux ou les cheveux longs peuvent se prendre dans les pièces en mouvement.
  - g. **Si des dispositifs sont prévus pour le raccordement d'installations d'extraction et de collecte des poussières, veillez à ce qu'ils soient raccordés et utilisés correctement.** L'utilisation d'un système de dépoussiérage peut réduire les risques liés à la poussière.
  - h. **Ne laissez pas la familiarité acquise par l'utilisation fréquente des outils vous amener à devenir complaisant et à ignorer les principes de sécurité des outils.** Un geste imprudent peut provoquer des blessures graves en une fraction de seconde.
- #### 4. Utilisation et entretien des outils électriques
- a. **Ne forcez pas sur l'outil électrique. Utilisez l'outil électrique adapté à votre application.** L'outil électrique adéquat effectuera le travail mieux et de manière plus

- sûre, à la vitesse pour laquelle il a été conçu.*
- b. **N'utilisez pas l'outil électrique si l'interrupteur ne le met pas en marche et ne l'éteint pas.** *Tout outil électrique qui ne peut être contrôlé par l'interrupteur est dangereux et doit être réparé.*
  - c. **Débranchez la fiche de la source d'alimentation et/ou retirez le bloc PILES, s'il est amovible, de l'outil électrique avant d'effectuer des réglages, de changer d'accessoires ou de ranger l'outil électrique.** *Ces mesures de sécurité préventives réduisent le risque de démarrage accidentel de l'outil électrique.*
  - d. **Rangez les outils électriques à l'arrêt hors de portée des enfants et ne permettez pas à des personnes ne connaissant pas l'outil électrique ou ces instructions d'utiliser l'outil électrique.** *Les outils électriques sont dangereux entre les mains d'utilisateurs non formés.*
  - e. **Entretenez les outils électriques et les accessoires. Vérifiez que les pièces mobiles ne sont pas mal alignées ou coincées, que les pièces ne sont pas cassées et que rien n'affecte le fonctionnement de l'outil électrique. Si l'outil est endommagé, faites-le réparer avant de l'utiliser.** *De nombreux accidents sont causés par des outils électriques mal entretenus.*
  - f. **Maintenez les outils de coupe affûtés et propres.** *Les outils de coupe correctement entretenus et dotés d'arêtes tranchantes sont moins susceptibles de se coincer et sont plus faciles à contrôler.*
  - g. **Utilisez l'outil électrique, les accessoires et les embouts, etc. conformément à ces instructions, en tenant compte des conditions de travail et du travail à effectuer.** *L'utilisation de l'outil électrique pour des opérations différentes de celles prévues peut entraîner une situation dangereuse.*
  - h. **Maintenez les poignées et les surfaces de préhension sèches, propres et exemptes d'huile et de graisse.** *Les poignées et les surfaces de préhension glissantes ne permettent pas de manipuler et de contrôler l'outil en toute sécurité dans des situations inattendues.*
5. **Utilisation et entretien des outils à batterie**
    - a. **Rechargez uniquement avec le chargeur spécifié par le fabricant.** *Un chargeur adapté à un type de batterie peut créer un risque d'incendie lorsqu'il est utilisé avec un autre type de batterie.*
    - b. **N'utilisez les outils électriques qu'avec les packs de batteries spécifiquement prévus à cet effet.** *L'utilisation d'autres packs de piles peut entraîner un risque de blessure et d'incendie.*
    - c. **Lorsque le bloc-piles n'est pas utilisé, éloignez-le des autres objets métalliques, tels que trombones, pièces de monnaie, clés, clous, vis ou autres petits objets métalliques, qui peuvent se connecter d'une borne à l'autre.** *La mise en court-circuit des bornes de la batterie peut provoquer des brûlures ou un incendie.*
    - d. **Dans des conditions abusives, du liquide peut être éjecté de la batterie ; éviter tout contact. En cas de contact accidentel, rincer à l'eau. Si le liquide entre en contact avec les yeux, consulter un médecin.** *Le liquide éjecté de la batterie peut provoquer des irritations ou des brûlures.*
    - e. **N'utilisez pas un bloc de piles ou un outil endommagé ou modifié.** *Les piles endommagées ou modifiées peuvent avoir un comportement imprévisible et provoquer un incendie, une EXPLOSION ou un risque de blessure.*
    - f. **N'exposez pas un bloc de piles ou un outil au feu ou à une température excessive.** *L'exposition au feu ou à une température supérieure à 130 °C peut provoquer une explosion.*
    - g. **Suivez toutes les instructions de chargement et ne chargez pas le bloc-piles ou l'outil en dehors de la plage de température spécifiée dans les instructions.** *Une charge incorrecte ou à des températures en dehors de la plage spécifiée peut endommager la batterie et augmenter le risque d'incendie.*
  6. **Service**
    - a. **Faites réparer votre outil électrique par un réparateur qualifié en utilisant uniquement des pièces de rechange identiques.** *Cela permet de garantir la sécurité de l'outil électrique.*
    - b. **N'effectuez jamais l'entretien d'un bloc de piles endommagé.** *L'entretien des packs de piles ne doit être effectué que par le fabricant ou des prestataires de services agréés.*

# INSTRUCTIONS DE SÉCURITÉ POUR LES TAILLE-HAIES

- a. **Tenir toutes les parties du corps à l'écart de la lame. Ne retirez pas le matériau coupé et ne tenez pas le matériau à couper lorsque les lames sont en mouvement.** *Les lames continuent de bouger après que l'interrupteur a été éteint. Un moment d'inattention lors de l'utilisation du taille-haie peut entraîner des blessures graves.*
- b. **Portez le taille-haie par la poignée, lame arrêtée, en veillant à ne pas actionner d'interrupteur.** *En transportant correctement le taille-haie, vous réduirez les risques de démarrage accidentel et de blessures causées par les lames.*
- c. **Lorsque vous transportez ou rangez le taille-haie, mettez toujours en place le couvercle de la lame.** *Une manipulation correcte du taille-haie réduira le risque de blessures causées par les lames.*
- d. **Lors de l'élimination des bourrages ou de l'entretien de l'appareil, assurez-vous que tous les interrupteurs d'alimentation sont éteints et que le cordon d'alimentation est débranché.** *Un déclenchement inopiné du taille-haie lors du dégagement d'un bourrage ou d'une opération d'entretien peut entraîner des blessures graves.*
- e. **Tenez le taille-haie uniquement par les surfaces de préhension isolées, car la lame peut entrer en contact avec des câbles cachés ou avec son propre cordon.** *Les lames entrant en contact avec un fil sous tension peuvent rendre les parties métalliques exposées du taille-haie "sous tension" et risquent de provoquer un choc électrique.*
- f. **Gardez tous les cordons d'alimentation et les câbles à l'écart de la zone de coupe.** *Les cordons d'alimentation ou les câbles peuvent être cachés dans des haies ou des buissons et peuvent être accidentellement coupés par la lame.*
- g. **N'utilisez pas le taille-haie par mauvais temps, notamment en cas de risque de foudre.** *Cela diminue le risque d'être frappé par la foudre.*

# INSTRUCTIONS DE SÉCURITÉ POUR LES CISAILLES À GAZON

1. **Formation**
  - Lisez attentivement les instructions. Familiarisez-vous avec les commandes et l'utilisation correcte de la machine.
  - Ne laissez jamais des enfants ou des personnes ne connaissant pas ces instructions utiliser la machine. Les réglementations locales peuvent limiter l'âge de l'opérateur.
2. **Préparation**
  - Avant d'utiliser la machine, vérifiez toujours visuellement qu'il n'y a pas de protecteurs ou de boucliers endommagés, manquants ou mal placés.
  - N'utilisez jamais la machine lorsque des personnes, en particulier des enfants, ou des animaux domestiques se trouvent à proximité.
3. **Fonctionnement**
  - Portez des lunettes de protection et des chaussures solides à tout moment lorsque vous utilisez l'outil électrique.
  - Évitez d'utiliser l'outil électrique par mauvais temps, en particulier lorsqu'il y a un risque de foudre.
  - N'utilisez l'outil électrique qu'à la lumière du jour ou sous un bon éclairage artificiel.
  - N'utilisez jamais l'outil électrique si les protections ou les écrans sont endommagés ou s'ils ne sont pas en place.
  - Ne mettez le moteur en marche que lorsque les mains et les pieds sont éloignés du dispositif de coupe.
  - Débranchez toujours l'outil électrique de l'alimentation électrique (c'est-à-dire retirez la fiche du secteur, le dispositif de désactivation ou la batterie amovible).
    - chaque fois que l'outil électrique est laissé sans surveillance,
    - avant d'éliminer un blocage,
    - avant de vérifier, de nettoyer ou de travailler sur la machine,
    - après avoir heurté un objet étranger,
    - lorsque la machine commence à vibrer de manière anormale.
  - Veillez à ne pas vous blesser les pieds et les mains avec les moyens de coupe.
  - Veillez toujours à ce que les ouvertures de ventilation soient exemptes de débris.

#### 4. Entretien et stockage

- Débranchez l'outil électrique de l'alimentation électrique (c'est-à-dire débranchez la fiche du secteur, retirez le dispositif de détartrage ou la batterie amovible) avant d'effectuer des travaux d'entretien ou de nettoyage.
- N'utilisez que les pièces de rechange et les accessoires recommandés par le fabricant.
- Inspectez et entretenez régulièrement l'outil électrique. Ne faites réparer l'outil électrique que par un fournisseur de services agréé.
- Lorsqu'il n'est pas utilisé, l'outil électrique doit être rangé hors de portée des enfants.



### AVERTISSEMENT!

- Utilisez uniquement le type et la taille de batterie suivants : B20X2/B25X2/B40X2/B50X2.
- Lorsque la batterie n'est pas utilisée, éloignez-la des autres objets métalliques, tels que trombones, pièces de monnaie, clés, clous, vis ou autres petits objets métalliques, qui peuvent se connecter d'une borne à l'autre. La mise en court-circuit des bornes de la batterie peut provoquer des brûlures ou un incendie.
- Dans des conditions abusives, du liquide peut être éjecté de la batterie ; éviter tout contact. En cas de contact accidentel, rincer à l'eau. Si le liquide entre en contact avec les yeux, consultez immédiatement un médecin. Le liquide éjecté de la batterie peut provoquer des irritations ou des brûlures. (Ces conseils sont considérés comme corrects pour les types de cellules NiMh, NiCd, plomb-acide et lithium-ion conventionnels. Si ces conseils sont incorrects pour un type de cellule différent, ils peuvent être remplacés par les conseils corrects).
- N'utilisez pas une batterie ou un outil électrique endommagé ou modifié. Les batteries endommagées ou modifiées peuvent avoir un comportement imprévisible et provoquer un incendie, une explosion ou un risque de blessure.
- N'exposez pas un bloc-piles ou un outil électrique au feu ou à une température excessive. L'exposition au feu ou à une température supérieure à 130°C (266°F) peut provoquer une explosion.
- Suivez toutes les instructions de

charge et ne chargez pas la batterie ou l'outil électrique en dehors de la plage de température spécifiée dans les instructions. Une charge incorrecte ou à des températures en dehors de la plage spécifiée peut endommager la batterie et augmenter le risque d'incendie.

- Ne modifiez pas et n'essayez pas de réparer l'outil électrique ou la batterie (le cas échéant), sauf si cela est indiqué dans les instructions d'utilisation et d'entretien.

## RÉDUCTION DES VIBRATIONS ET DU BRUIT

Pour réduire l'impact des émissions de bruit et de vibrations, il convient de limiter la durée de fonctionnement, d'utiliser des modes de fonctionnement à faible niveau de vibrations et de bruit et de porter des équipements de protection individuelle. Tenez compte des points suivants pour minimiser les risques d'exposition aux vibrations et au bruit.

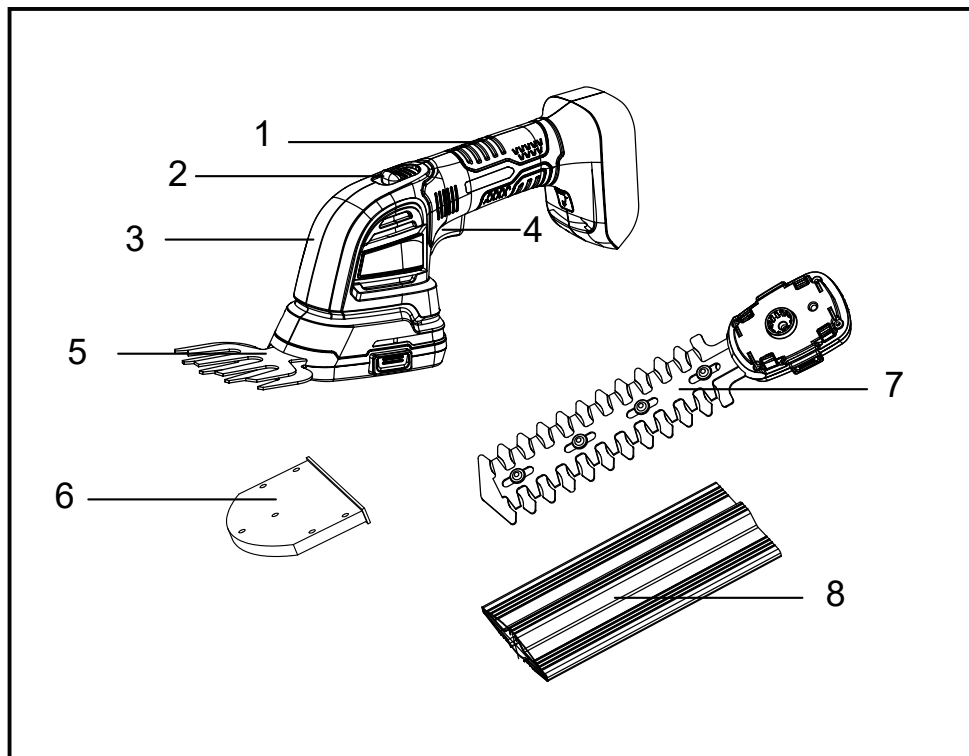
- N'utilisez le produit que conformément à sa conception et à ces instructions.
- Veillez à ce que le produit soit en bon état et bien entretenu.
- Utiliser des accessoires adaptés au produit et s'assurer qu'ils sont en bon état.
- Tenir fermement les poignées/la surface de préhension.
- Entretenez ce produit conformément aux présentes instructions et veillez à ce qu'il soit bien lubrifié (le cas échéant).
- Planifiez votre emploi du temps de manière à répartir l'utilisation d'outils à fortes vibrations sur une période plus longue.

## URGENCE

Familiarisez-vous avec l'utilisation de ce produit à l'aide de ce manuel d'instructions. Mémorisez les consignes de sécurité et suivez-les à la lettre. Vous éviterez ainsi les risques et les dangers.

- Soyez toujours vigilant lorsque vous utilisez ce produit, afin de pouvoir reconnaître et traiter les risques à temps. Une intervention rapide peut éviter des blessures graves et des dégâts matériels.
- Éteignez le produit et retirez le bloc-batterie en cas de dysfonctionnement. Faites vérifier le produit par un professionnel qualifié et réparez-le, si nécessaire, avant de le remettre en service.

# CONNAÎTRE SON UNITÉ



## APPLICATIONS

Modèle : GSX2-M

Comme cisaille à arbustes / cisaille à gazon :  
taille des haies, des arbustes et de l'herbe  
dans les jardins domestiques.

1	Poignée
2	Bouton de verrouillage de sécurité
3	Boîtier du moteur
4	Déclencheur ON/OFF

5	Attachement de la lame de la cisaille à gazon
6	Fourreau pour lames de cisailles à gazon
7	Attachement de la lame du taille-haie
8	Fourreau pour lames de taille-haie

# SPÉCIFICATIONS\*

Modèle		GSX2-M
Tension d'entrée	18 V = (20 V Max*)	
Coups	1250spm   1 250 cpm	
Largeur de coupe des cisailles à gazon	4 in   10 cm	
Capacité de coupe d'une cisaille à gazon	1 in   2.5 cm	
Capacité de coupe des cisailles à haies	0.63 in   1.6 cm	
Longueur de coupe des cisailles à haies	8 in   20 cm	
Poids (sans batterie)	2.11 lbs   0.96 kg	
Type de batterie		B20X2
Tension nominale	18 V = (20 V Max*)	
Capacité nominale	2,0 Ah	
Poids	405 g	
Modèle de chargeur		CHX2
Entrée nominale	100 V - 240 V - 50 Hz / 60 Hz	
Puissance nominale	21 V, 2 A	
Temps de charge (avec une batterie de 2,0 Ah)	65 min	
Classe de protection (pour le chargeur)	□ / II	
Poids	340 g	

\*Batterie 20V Max, la tension initiale maximale de la batterie (mesurée sans charge de travail) est de 20V. La tension nominale est de 18V.

## ASSEMBLAGE

1. Déballez toutes les pièces et posez-les sur une surface plane et stable :
2. Retirer tous les matériaux d'emballage et les dispositifs d'expédition, le cas échéant.

3. L'étendue de la livraison varie en fonction du pays et de la variante achetée:  
Modèle de GSX2-M
  - Cisaille X1
  - Accessoire taille-haie X1
  - Batterie 2,0 Ah X1
  - Chargeur 20 V X1
  - Manuel d'instructions X1
4. Si vous constatez que des pièces manquent ou sont endommagées, n'utilisez pas le produit et contactez votre revendeur. L'utilisation d'un produit incomplet ou endommagé représente un danger pour les personnes et les biens.
5. Assurez-vous que vous disposez de tous les accessoires et outils nécessaires au montage et à l'utilisation. Cela inclut également les équipements de protection individuelle appropriés.



## AVERTISSEMENT:



Portez des gants de protection pour ce travail d'assemblage et posez toujours le produit sur une surface plane et stable pendant l'assemblage. Suivez les instructions d'assemblage étape par étape et utilisez les images fournies comme guide visuel pour assembler facilement le produit ! N'insérez pas le bloc-batterie avant que l'outil électrique ne soit complètement assemblé ou ajusté !

## ACCESSOIRES POUR LAMES



## AVERTISSEMENT:

N'utilisez que les accessoires fournis par le fabricant sur cet outil.

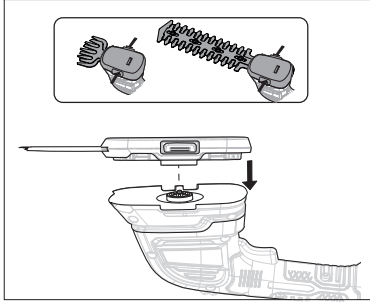
Pour l'installation :

Appuyer sur deux attaches, puis aligner et faire correspondre l'arbre avec le trou de l'arbre. La fixation sera verrouillée en place après avoir relâché les deux attaches.

Pour l'enlever :

Déverrouiller l'engagement en appuyant sur

les deux attaches. Démontez l'attachement de la lame de l'outil.



## PACK BATTERIE



### AVERTISSEMENT:

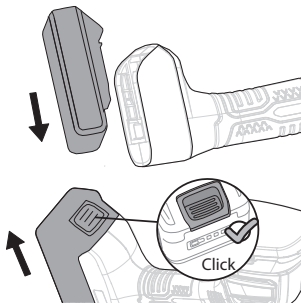
Assurez-vous que le bloc-batterie est verrouillé dans le port d'accueil avant de l'utiliser. Si le bloc-batterie n'est pas fermement mis en place, il risque de tomber et de provoquer des blessures graves.

Pour installer :

Alignez et faites glisser le bloc-batterie dans le port d'accueil jusqu'à ce qu'il se verrouille en place.

Pour retirer le bloc-batterie :

Appuyez sur le bouton de déverrouillage du rail du bloc-batterie et faites glisser le bloc-batterie hors du port d'accueil.



Pour l'enlever :

Tournez le mandrin dans le sens inverse des aiguilles d'une montre pour ouvrir la mâchoire et tirez l'embout hors de la mâchoire.

## FONCTIONNEMENT



### AVERTISSEMENT:

Portez toujours des protections pour les yeux, l'ouïe et les mains afin de réduire les risques de blessures lors de l'utilisation de l'outil. Maintenez toutes les parties de votre corps à l'écart de la mèche en rotation.



### AVERTISSEMENT:

Ce produit est conçu pour être utilisé à la main, il ne doit jamais être installé sur un établi ou tout autre support.

- Avant chaque utilisation, vérifiez que le produit et ses accessoires ne sont pas endommagés. N'utilisez pas le produit s'il est endommagé ou présente des signes d'usure.
- Vérifiez que les accessoires et les pièces jointes sont correctement fixés.
- Tenez toujours le produit par sa poignée. Gardez la poignée sèche pour garantir un support sûr.
- Veillez à ce que les orifices d'aération soient toujours libres et dégagés. Nettoyez-les si nécessaire à l'aide d'une brosse douce. Des orifices d'aération obstrués peuvent entraîner une surchauffe et endommager le produit.
- Éteignez immédiatement le produit si vous êtes dérangé par d'autres personnes qui pénètrent dans la zone de travail. Laissez toujours le produit s'arrêter complètement avant de le poser.
- Ne vous surmenez pas. Faites des pauses régulières pour pouvoir vous concentrer sur votre travail et contrôler pleinement le produit.
- Avant de mettre le produit en marche, vérifiez qu'il a été correctement assemblé et que toutes les pièces mobiles fonctionnent correctement.
- Nous recommandons d'humidifier légèrement les surfaces poussiéreuses ou d'utiliser un accessoire humide.
- Ne faites fonctionner le produit qu'à des heures raisonnables - pas tôt le matin

ou tard le soir, lorsque des personnes pourraient être dérangées.

- Évitez d'utiliser le produit par mauvais temps, en particulier lorsqu'il y a un risque de foudre. N'utilisez pas le produit lorsque l'éclairage est insuffisant. L'opérateur a besoin d'une vue claire de la zone de travail pour identifier les dangers potentiels.
- L'utilisation d'outils similaires à proximité augmente à la fois le risque de blessure auditive et la possibilité que d'autres personnes pénètrent dans votre zone de travail.
- Garder le pied ferme et l'équilibre.
- Ne vous étendez pas trop. Cela peut entraîner une perte d'équilibre. Sur les pentes, il faut toujours s'assurer que l'on a bien pied.
- Marchez, ne courez jamais. Tenez toutes les parties de votre corps éloignées des pièces en mouvement.
- Ne jamais utiliser le produit sans l'équipement approprié.
- Ne modifiez pas le produit de quelque manière que ce soit et n'utilisez pas de pièces ou d'accessoires non recommandés par le fabricant.
- Ne pas toucher les pièces dangereuses en mouvement avant que la machine ne soit déconnectée du réseau et que les pièces dangereuses en mouvement ne soient complètement arrêtées.
- Ne forcez pas les lames à travers une végétation dense. Si les lames ralentissent, réduisez votre rythme de coupe. Si les lames se bloquent, relâchez immédiatement la gâchette.
- Ne vous servez pas de vos doigts pour dégager les lames coincées. Les lames coincées peuvent se débloquent brusquement et provoquer des blessures graves. Ne touchez jamais le rail des lames en cours d'utilisation et faites attention aux bords tranchants, même lorsque la cisaille à gazon à batterie n'est pas utilisée.

## ACTIVATION/ DÉSACTIVATION



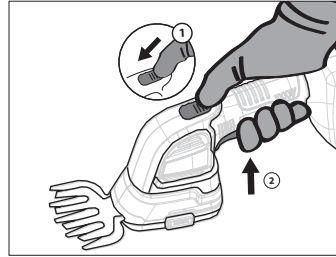
### AVERTISSEMENT:

Assurez-vous que la lame ne touche aucun objet avant de la mettre en marche..

Pour mettre l'outil en marche, appuyez sur

le bouton de verrouillage de sécurité et maintenez-le enfoncé avec le pouce, puis appuyez sur la gâchette ON/OFF avec l'index. Une fois que l'outil a démarré, vous pouvez relâcher le bouton de verrouillage de sécurité et continuer à l'utiliser.

Pour éteindre l'outil, relâchez la gâchette ON/OFF.



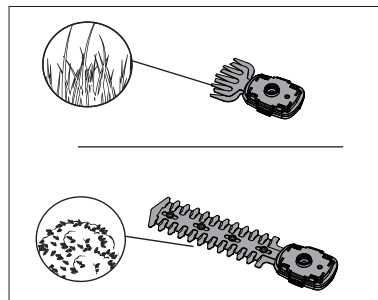
## FONCTIONNEMENT GÉNÉRAL

L'outil équipé d'une lame de cisaillement pour arbustes peut être utilisé pour couper les branches dont le diamètre est inférieur à 8 mm.

Pour les arbustes ou les haies nécessitant une coupe importante, il est préférable de couper au préalable les branches plus épaisses à l'aide d'un taille-haie ayant une plus grande capacité de coupe. Utiliser ensuite l'outil pour les coupes ultérieures.

Pour obtenir une forme précise, tracez une ligne entre les bords extrêmes de la haie, puis taillez sur la longueur de la ligne.

Lorsqu'il s'agit de tailler une pelouse étendue, il est recommandé d'utiliser d'abord un coupe-herbe professionnel. Ensuite, il est conseillé d'utiliser un outil équipé d'une lame de cisaillement pour effectuer des travaux mineurs.





## AVERTISSEMENT:

Ne jamais exposer les lames à des matériaux durs, tels que des fils de clôture ou des supports de plantes métalliques, afin de les protéger contre les dommages.

## CONSEILS DE COUPE

### 1. Mise en forme

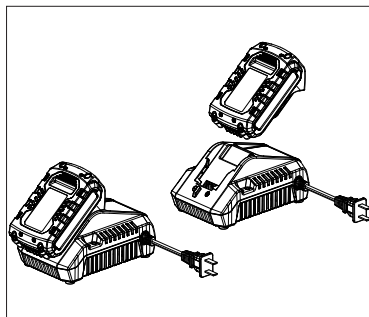
La haie doit être taillée de manière à obtenir une forme trapézoïdale, elle doit s'élargir vers le bas des deux côtés. Cela améliore la pénétration de la lumière vers les extrémités inférieures. Une ligne directrice générale est d'environ 10 cm d'inclinaison pour chaque mètre de hauteur de la haie.

### 2. Séquence de coupe

Coupez d'abord les deux côtés, en commençant par le bas et en remontant vers le haut. Vous éviterez ainsi que des boutures ne tombent dans la zone où vous devez encore travailler.

### 3. Découpage de la partie supérieure

Lorsque les branches sont très longues, il faut tailler la haie en plusieurs fois. Les boutures plus courtes ainsi obtenues se prêtent mieux au compostage.



1. Chargez la batterie au lithium-ion uniquement avec le chargeur approprié.
2. Connectez le chargeur à une source d'alimentation ; l'indicateur lumineux du chargeur devient rouge.
3. Alignez les nervures surélevées de la batterie avec la fente du chargeur.
4. Insérez la batterie dans le chargeur, l'indicateur lumineux du chargeur devient vert et clignote.
5. Le chargeur communiquera avec la batterie pour évaluer le statut de charge de la batterie.
6. Il est complètement chargé lorsque les quatre lumières de la batterie s'allument. Débranchez l'alimentation électrique du chargeur. Retirez la batterie du chargeur.

## COMMENT CHARGER LA BATTERIE



## AVERTISSEMENT :

Cette batterie au lithium-ion est expédiée partiellement chargée. Chargez complètement la batterie avant de l'utiliser pour la première fois.

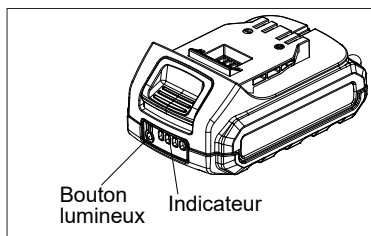










## REMARQUE :

Chargez la batterie à une température ambiante comprise entre 0°C et 40°C (32°F - 104°F).

## INDICATEUR DE CHARGE

Appuyez sur le bouton lumineux de la batterie pour vérifier si elle doit être rechargée.



Indicateurs			Statut
Éclairé	Désactivé	Clignotant	
			
			75% - 100%
			50% - 75%
			25% - 50%
			5% - 25%
			< 5% (doit être chargé)



## AVERTISSEMENT :

Un dysfonctionnement peut se produire si les quatre voyants clignotent en séquence.

## PROTECTION CONTRE LA SURCHAUFFE

En cas de surchauffe de l'outil/de la batterie, l'outil s'arrête automatiquement. Dans ce cas, laissez l'outil électrique/la batterie refroidir avant de remettre l'outil en marche.

## PROTECTION CONTRE LA SURCHARGE

Lorsque la capacité de la batterie est inférieure à un niveau de sécurité, l'outil s'arrête automatiquement. Dans ce cas, retirez la batterie de l'outil et rechargez-la.

## ENTRETIEN



### AVERTISSEMENT:

N'effectuez les travaux de nettoyage et d'entretien que conformément à ces instructions !

Tous les autres travaux doivent être effectués par un spécialiste qualifié !



### AVERTISSEMENT:

POUR ÉVITER TOUTE BLESSURE GRAVE DUE A UN FONCTIONNEMENT ACCIDENTEL D'UN FONCTIONNEMENT ACCIDENTEL : Assurez-vous que la batterie est retirée avant d'effectuer toute procédure dans cette section.

POUR ÉVITER LES BLESSURES GRAVES EN CAS DE DÉFAILLANCE DE L'OUTIL DE L'OUTIL :

N'utilisez pas d'équipement endommagé. En cas de bruits ou de vibrations anormaux, faites faire corriger le problème avant de continuer à utiliser l'outil.

## NETTOYAGE

1. Veillez à ce que tous les dispositifs de sécurité, les orifices d'aération et le carter du moteur soient exempts de débris et de saletés.
2. Essuyer les résidus avec un chiffon ou une éponge.
3. Ne jamais rincer l'outil avec de l'eau.



### REMARQUE:

N'utilisez pas de produits de nettoyage, car ils peuvent attaquer le plastique et affaiblir l'intégrité structurelle de la cisaille à gazon.

## TRANSPORTS

1. Éteignez le produit et retirez la batterie.
2. Fixer les fourreaux des lames.
3. Protégez le produit de tout impact lourd ou de toute vibration forte pouvant survenir pendant le transport dans des véhicules.
4. Fixez le produit pour éviter qu'il ne glisse ou ne tombe.

## STOCKAGE

1. Nettoyer soigneusement comme décrit ci-dessus.
2. Conserver dans un endroit propre, sec, à l'abri du gel, bien ventilé et inaccessible aux enfants.
3. La température de stockage idéale se situe entre 10°C et 30°C.
4. Ne pas exposer à la lumière du soleil.
5. Utiliser l'emballage d'origine ou le recouvrir d'un tissu approprié pour le protéger de la poussière.



### REMARQUE:

To prolong battery life, store the battery pack separately from the tool in a 30%-50% charged condition. It's recommended to have your battery pack charged at least every 6 months.

## ÉLIMINATION

Le produit usagé ne doit pas être éliminé avec les ordures ménagères. Il convient de le recycler là où des installations existent. Renseignez-vous auprès des autorités locales ou de votre revendeur pour obtenir des conseils en matière de recyclage. L'herbe ou les branches peuvent être coupées par l'appareil pendant son fonctionnement. Les utilisateurs doivent nettoyer ces objets pour protéger l'environnement.



Les produits électriques ne doivent pas être jetés avec les produits ménagers. Les produits électriques usagés doivent être collectés séparément et éliminés dans les points de collecte prévus à cet effet. Adressez-vous aux autorités locales ou à votre revendeur pour obtenir des conseils sur le recyclage.

# DÉPANNAGE

Les dysfonctionnements suspectés sont souvent dus à des causes que les utilisateurs peuvent résoudre eux-mêmes. Par conséquent, vérifiez le produit à l'aide de cette section. Dans la plupart des cas, le problème peut être résolu rapidement.

PROBLÈME	CAUSE POSSIBLE	SOLUTION
Le produit ne démarre pas	La batterie n'est pas correctement fixée	Fixer correctement
	Mauvaises étapes de démarrage	Se reporter à la section "MISE EN MARCHE/ARRÊT".
Le produit n'atteint pas sa pleine puissance	Capacité de la batterie trop faible	Charger la batterie
Vibrations ou bruits excessifs	Les boulons/écrous sont desserrés	Serrer les boulons/écrous
Le produit s'arrête soudainement	Batterie déchargée	Charger la batterie
	Batterie trop chaude	c Laisser refroidir



# GARANTIE

## GARANTIE LIMITÉE DES OUTILS SENIX

**PENDANT CINQ ANS** à compter de la date d'achat initiale, ce produit est garanti contre tout défaut de matériau ou de fabrication. AVEC LA PREUVE DE L'ACHAT D'ORIGINE, un produit défectueux sera réparé gratuitement. Si le produit ne peut être réparé, il sera remplacé gratuitement. Pour plus d'informations sur la couverture de la garantie, visitez le site [www.senixtools.com](http://www.senixtools.com), envoyez un courriel à [senix.service@yat.com](mailto:senix.service@yat.com) ou appelez le 1-800-261-3981.

### Exceptions

- Cette garantie ne couvre pas les réparations nécessaires en cas d'accident ou d'abus du produit, ou si le produit n'a pas été utilisé ou entretenu conformément aux instructions fournies.
- Cette garantie ne couvre pas la batterie ou le chargeur inclus, qui offrent une couverture de remplacement de trois ans uniquement. Voir les manuels d'instructions de la batterie ou du chargeur pour les détails complets de la garantie.
- Cette garantie ne couvre pas les articles non durables qui peuvent s'user dans le cadre d'une utilisation normale pendant la période de garantie, y compris, mais sans s'y limiter, les mèches de perceuse, les lames de coupe et la bobine ou le fil du coupe-bordure.
- Cette garantie ne s'applique pas aux dommages résultant de réparations du produit effectuées ou tentées par des agents non agréés par SENIX.
- Cette garantie ne couvre pas les frais d'envoi ou de transport de l'outil électrique pour bénéficier de la garantie.
- La garantie est annulée si le produit a été utilisé à des fins commerciales, professionnelles ou de location.
- La garantie s'applique au premier acheteur au détail et n'est pas transférable.
- Une preuve d'achat est nécessaire pour bénéficier de la garantie.

CETTE GARANTIE REMPLACE TOUTE AUTRE GARANTIE, Y COMPRIS LA GARANTIE IMPLICITE DE COMMERCIALISATION ET D'ADÉQUATION À UN USAGE PARTICULIER, ET EXCLUT TOUT DOMMAGE ACCESSOIRE OU INDIRECT. Certains États n'autorisent pas la limitation de la durée d'une garantie implicite ou l'exclusion ou la limitation des dommages accessoires ou indirects, de sorte que ces limitations peuvent ne pas s'appliquer à vous. Cette garantie vous donne des droits légaux spécifiques et vous pouvez avoir d'autres droits qui varient dans certains états ou provinces.

**REMARQUE** : La garantie du bloc-batterie est annulée si le bloc-batterie est altéré de quelque manière que ce soit. SENIX n'est pas responsable des blessures causées par une manipulation et peut poursuivre les fraudes à la garantie dans toute la mesure permise par la loi.

### GARANTIE DE REMBOURSEMENT DE 90 JOURS

Si, pour quelque raison que ce soit, vous n'êtes pas entièrement satisfait des performances de ce produit SENIX dans les 90 jours suivant la date d'achat, vous pouvez le renvoyer avec le ticket de caisse original pour un remboursement complet.

**Amérique latine** : Cette garantie ne s'applique pas aux produits vendus en Amérique latine. Pour les produits vendus en Amérique latine, consultez les informations de garantie spécifiques au pays contenues dans l'emballage, appelez le détaillant chez qui vous avez acheté le produit ou visitez le site Web pour obtenir des informations sur la garantie.

**Remplacement gratuit des étiquettes d'avertissement** : Si vos étiquettes d'avertissement deviennent illisibles ou manquent, appelez le 1-800-261-3981 pour les remplacer gratuitement.

**S'ENREGISTRER EN LIGNE** - [www.senixtools.com/pages/product-registration](http://www.senixtools.com/pages/product-registration)

**Nous vous remercions de votre achat ! Enregistrez votre produit maintenant pour :**

**Le service de garantie** : L'enregistrement de votre produit vous permettra d'obtenir un service de garantie plus efficace en cas de problème avec votre produit.

**Confirmation de propriété** : En cas de sinistre, comme un incendie, une inondation ou un vol, l'enregistrement de votre produit servira de preuve d'achat.

**Pour votre sécurité** : L'enregistrement de votre produit nous permettra de vous contacter dans le cas improbable où une notification de sécurité serait requise en vertu de la loi fédérale sur la sécurité des consommateurs (Federal Consumer Safety Act).



YAT USA INC. 10506 Bryton Corporate Center Dr, #500 Huntersville, NC 28078

Pour l'assistance à la clientèle, veuillez appeler le 1-800-261-3981 ou nous envoyer un courriel à [senix.service@yat.com](mailto:senix.service@yat.com)