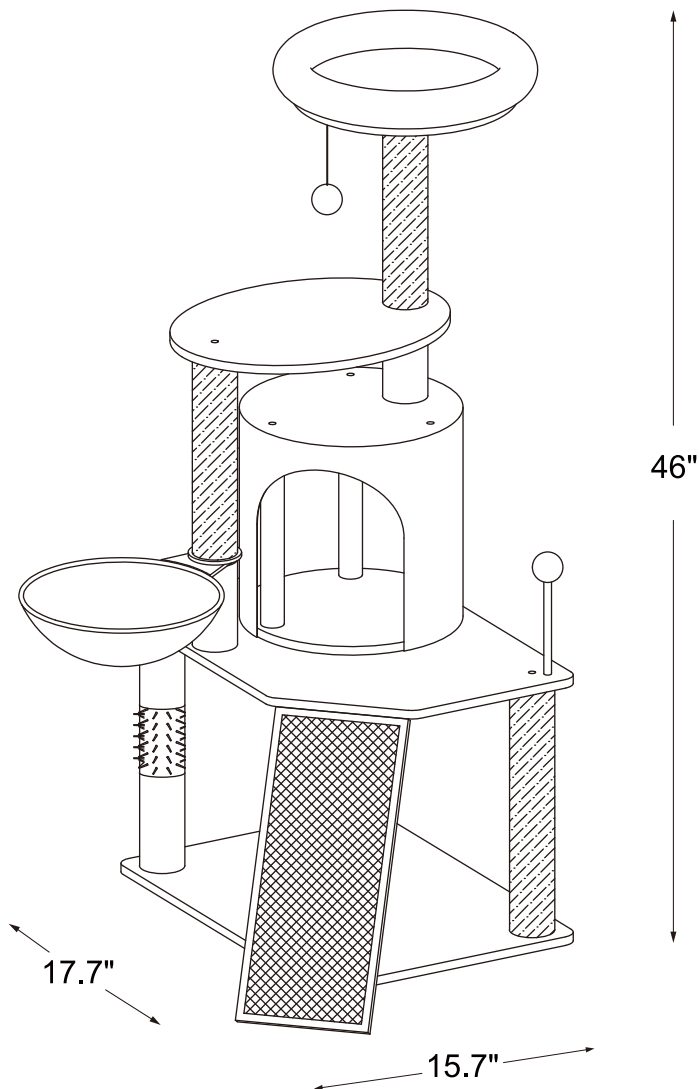


Please read instructions carefully before use. Retain for future reference



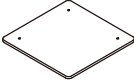
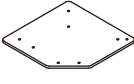



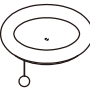


#### Assembled Dimensions









17.7 IN. W x 15.7 IN. D x 46 IN. H  
 (45 CM W X 40 CM D X 116.8 CM H)

Distributed by:  
 TRACTOR SUPPLY COMPANY  
 5401 VIRGINIA WAY,  
 BRENTWOOD TN 37027  
 For customer support,  
 call: 1-888-376-9601  
[www.TractorSupply.com](http://www.TractorSupply.com)  
 MADE IN CAMBODIA

Approximate assembly time: <b>15 Minutes</b>	People for assembly: 	Required assembly space: 6.5 ft x 6.5 ft.(2m x 2m) 
--	--	--

## PART LIST

Part	Description	Drawing	Qty.
1	Bottom plate		1PC
2	Multiple platform		1PC
3	Plush-lined hideout		1PC
4	Lying plate		1PC
5	Textured ramp		1PC
6	Lying plate, top		1PC
7	Post	 SIZE L=13.77"(35cm)	1PC
8	Post	 SIZE L=13.77"(35cm)	1PC

Part	Description	Drawing	Qty.
9	Post	 SIZE L=13.77"(35cm)	1PC
10	Post	 SIZE L=11.41"(29cm)	1PC
11	Post	 SIZE L=11.41"(29cm)	1PC
12	Post	 SIZE L=4.72"(12cm)	2PCS
13	Post	 SIZE L=10.62"(27cm)	3PCS
14	Cuddle cradle		1PC
15	Spring ball toy		1PC
16	Gasket		1PC

## HARDWARE LIST

Accessory	Size	Quantity
 A	M8 x 35mm	15PCS
 B	M8 x 25mm	1PC
 C	M8 x 80mm	2PCS
 D	M6 x 16mm	4PCS
 E	120°	2PCS
	5mm	1PC

## TIP BEFORE YOU START

- \* Ensure that all parts are present prior to assembly.
- \* Check all packing material carefully before discarding, as some parts may be encased in the packing material.
- \* For ease and speed of assembly, it is recommended that prior to each step all required parts are identified.
- \* Ensure that you have sufficient space and people (as indicated on page 1) to assemble product safely.
- \* During assembly take care not to over-tighten any fittings, as this may damage the product.

## CARE AND MAINTENANCE

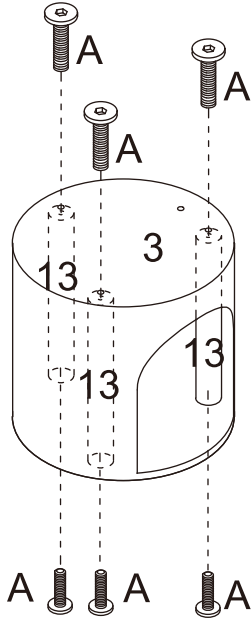
- \* Always inspect the product during each use for any obstructions.
- \* The manufacturer will not accept responsibility for unauthorized repairs or modifications to this product.
- \* To prolong the life of your cat furniture we recommend storage in a dry area when not in use or during austere weather conditions.

## WEIGHT LIMIT

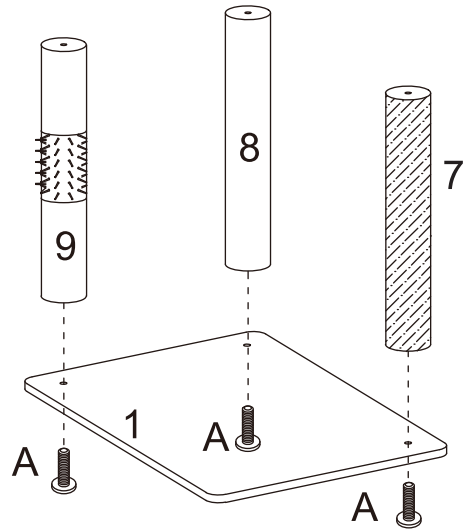
Total Max Weight 80 LBS. (Total Max Weight 36KG)

# ASSEMBLY INSTRUCTIONS

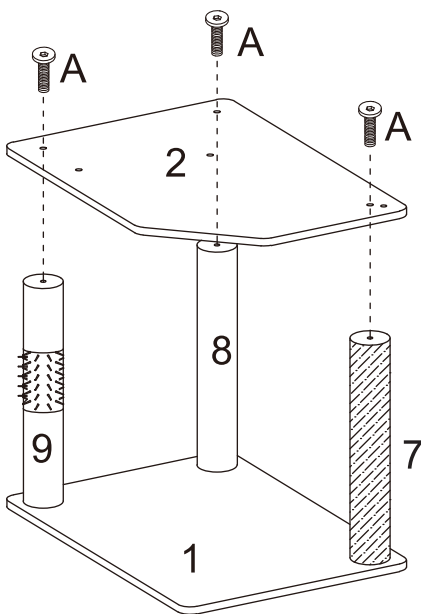
Step 1. Connect post 13 to part 3, using screw A



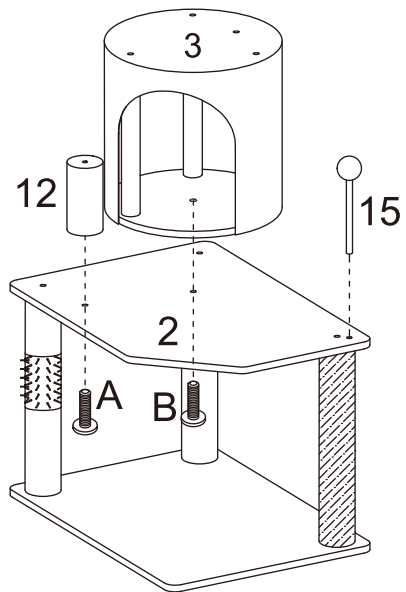
Step 2. Connect post 7 to base 1, using screw A  
Connect post 8 to base 1, using screw A  
Connect post 9 to base 1, using screw A



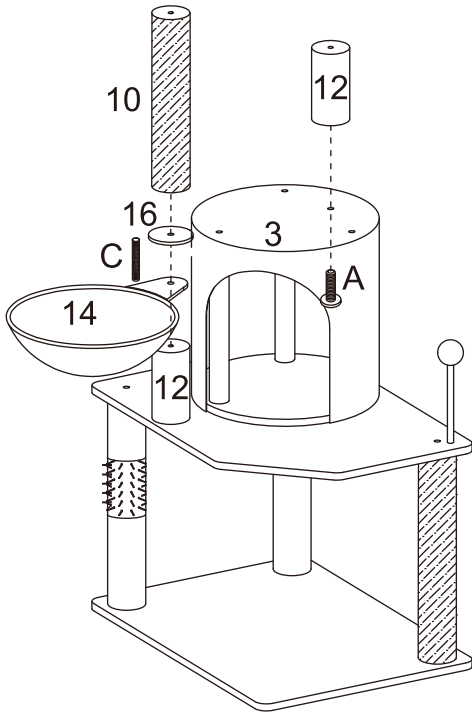
Step 3. Connect part 2 to post 7, post 8 and post 9, using screw A



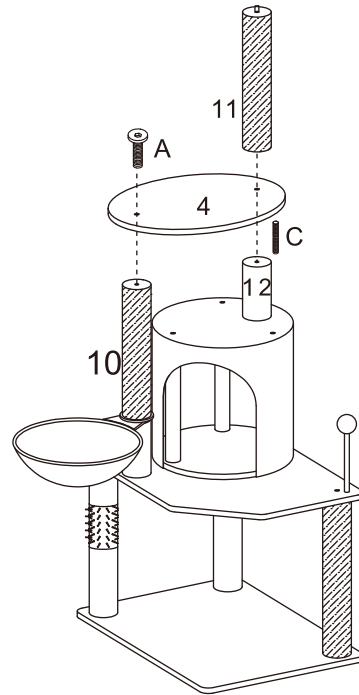
Step 4. Connect part 3 to part 2, using screw B  
Connect post 12 to part 2, using screw A  
Assemble part 15 to part 2



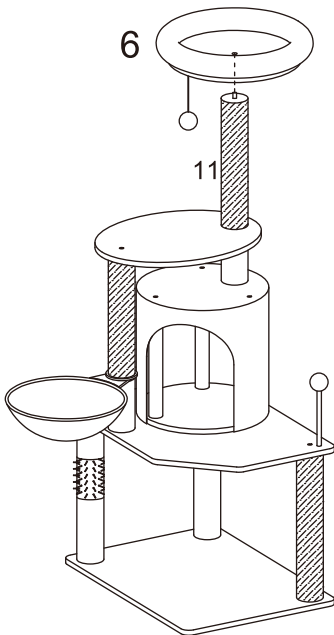
Step 5. Connect post 10, part 16 and part 14 to post 12, using screw C  
 Assemble post 12 on part 3, using screw A



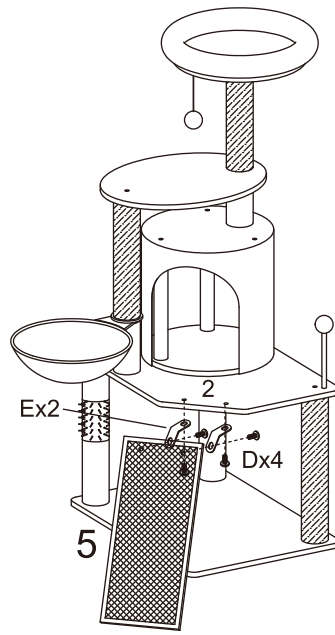
Step 6. Connect post 11, part 4 and post 12, using screw C  
 Connect post 10 and part 4, using screw A



Step 7.  
 Assemble part 6 on post 11



Step 8. Assemble part 5 on part 2, using accessory E and D



Assembly Finished

