

# Installation Instructions

## 49" and 54" Kabgard

**KABGARD, SERVICE BODY, 49" x 27", UNIVERSAL**  
(5404927 – WHITE / 5404927B – BLACK)

**KABGARD, SERVICE BODY, 54" x 27", UNIVERSAL**  
(5405427 – WHITE / 5405427B – BLACK)

***IMPORTANT:*** Prior to installation, check owner's manual or contact your truck manufacturer for all necessary pickup box reinforcement kits. Always install recommended kits prior to window protector installation. Failure to follow this procedure may void truck's warranty. Never exceed recommended maximum combined weight of equipment and cargo, recommended by truck's manufacturer. Place installation instructions and warranty information in vehicle glove box after installation.

### TOOLS REQUIRED:

- Sockets/Wrenches
- Electric Drill

#### CAUTION

- Park your vehicle on flat, horizontal surface. Apply parking brake or use wheel chocks to prevent accidental rolling.
- To keep debris out of your eyes always wear protective eyewear.
- Tighten screws and nuts only when it is recommended by these instructions.
- Check contents of box against part list to ensure all components are included

#### WARNING

The third brake light must remain visible to those behind the vehicle. After installing the Guard Dogg, stand to the rear and sides of the vehicle and verify that the third brake light is still visible through the third brake light slot."



### INSTALLATION

- 1.** Attach the Mounting Brackets (Items 3 and 4) to the Grill Weldment (Item 1) using the 1/2"-13 x 1-1/4" Carriage Bolts (Item 5a), 1/2" Flat Washers (Item 5b), and 1/2"-13 Nylock Nuts (Item 5c). Do not tighten the hardware. (See Figures 1 and 2)
- 2.** Place the assembly in the desired location on the service body. Drill .343" holes into the service body in the locations of the bolt holes in the Mounting Brackets.
- 3.** Secure the Mounting Brackets to the service body using 5/16"-18 x 1" Carriage Bolts (Item 5d), 5/16" Flat Washers (Item 5e), and 5/16"-18 Nylock Nuts (Item 5f). (See Figures 3 and 4)
- 4.** Adjust the Grill Weldment so that the third brake light can be seen through the top center cutout.
- 5.** Tighten all hardware.

Fig. 1

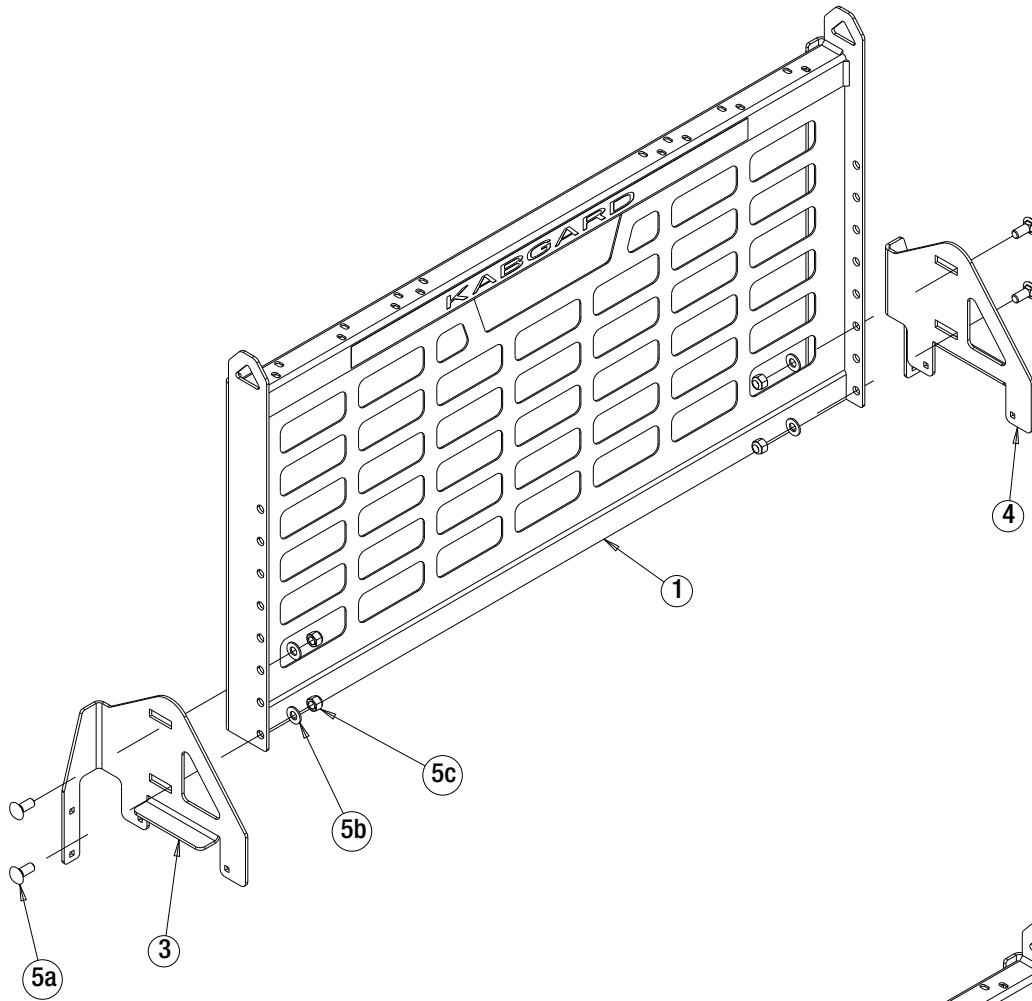


Fig. 2

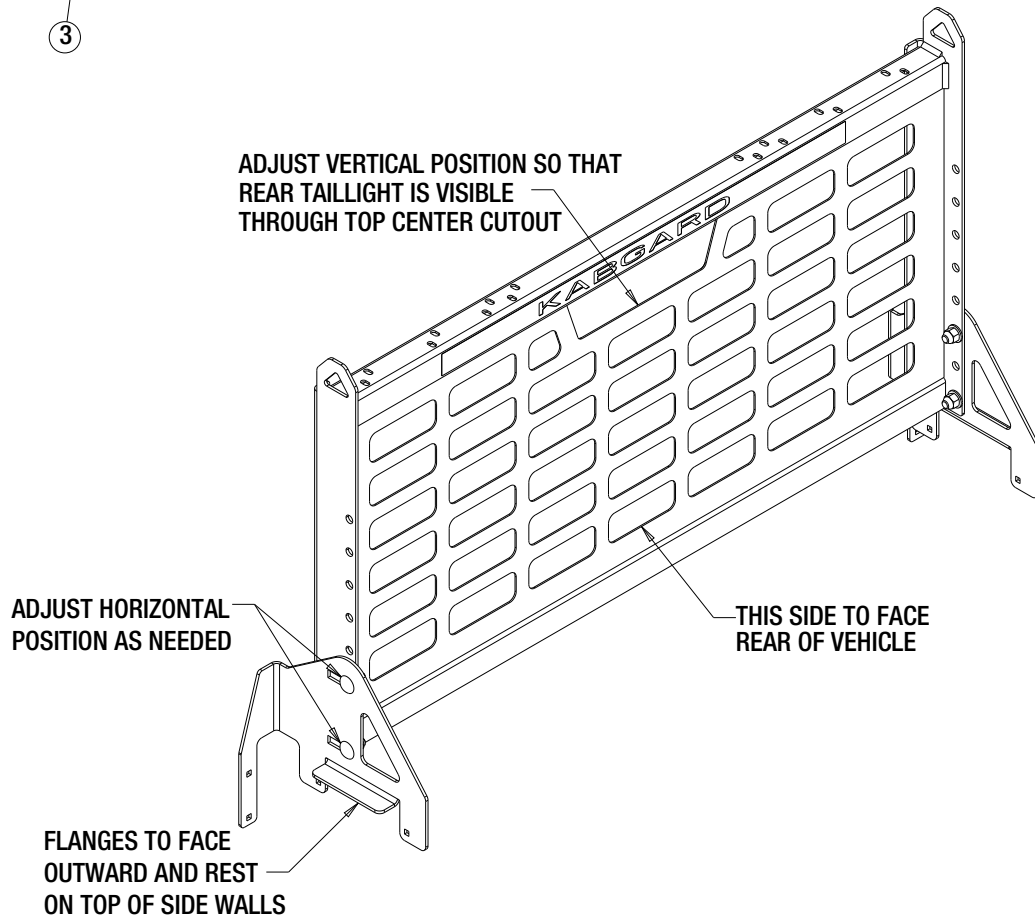


Fig. 3

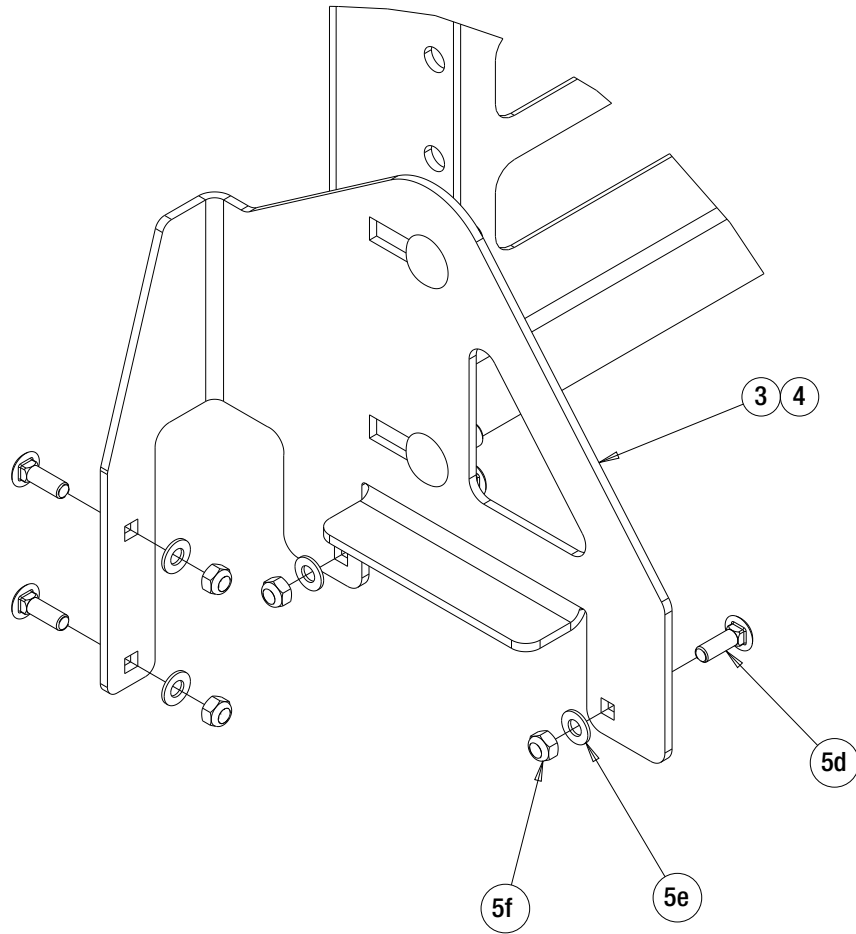
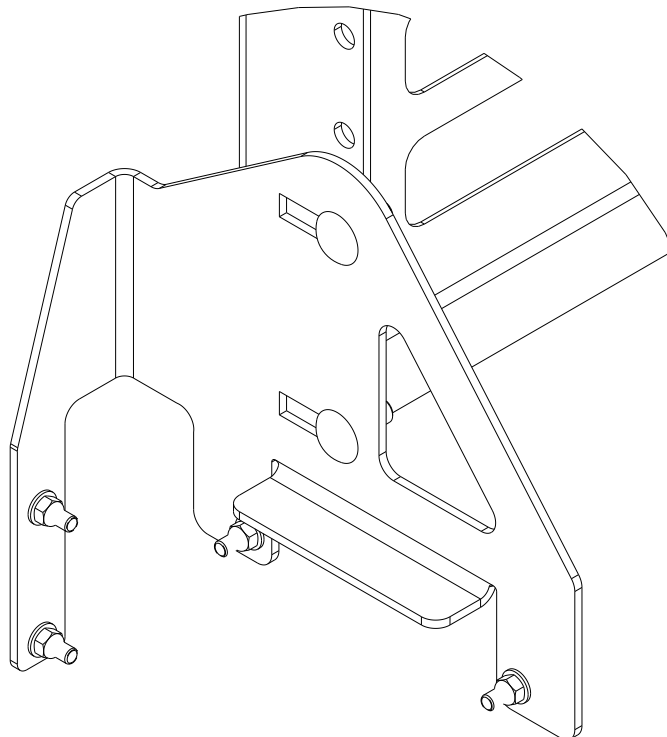
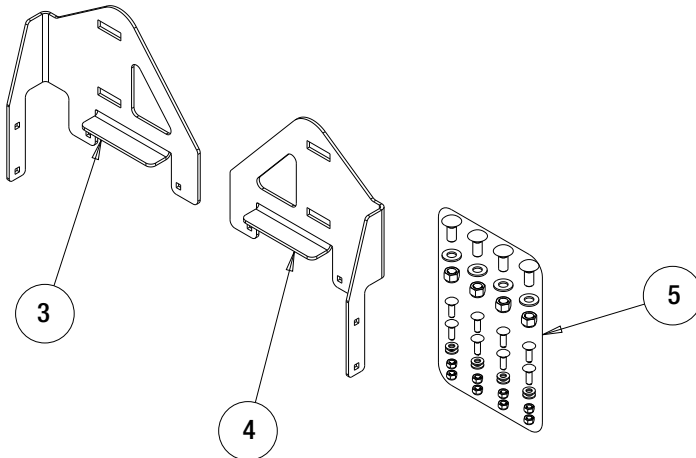
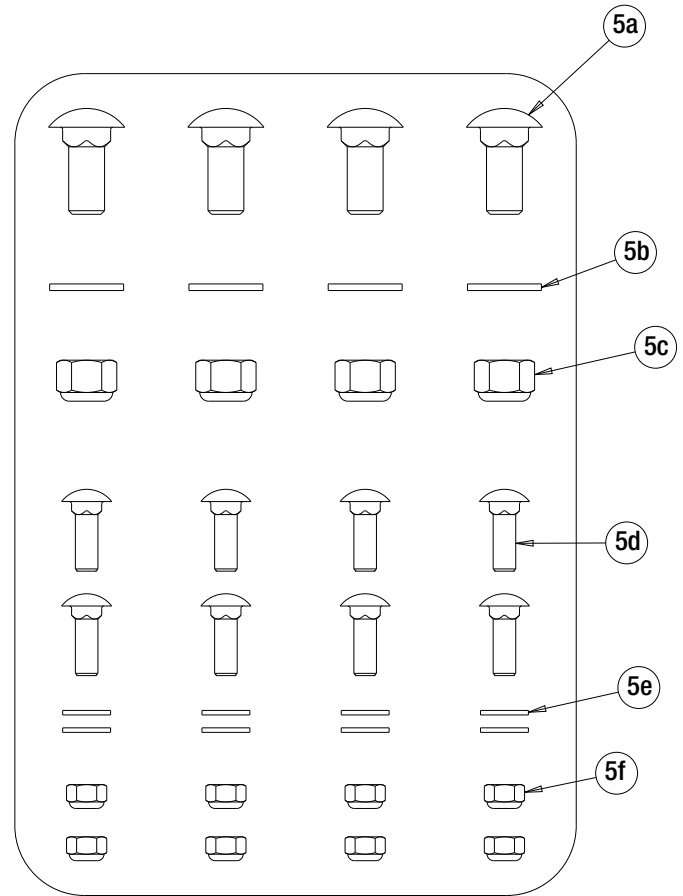
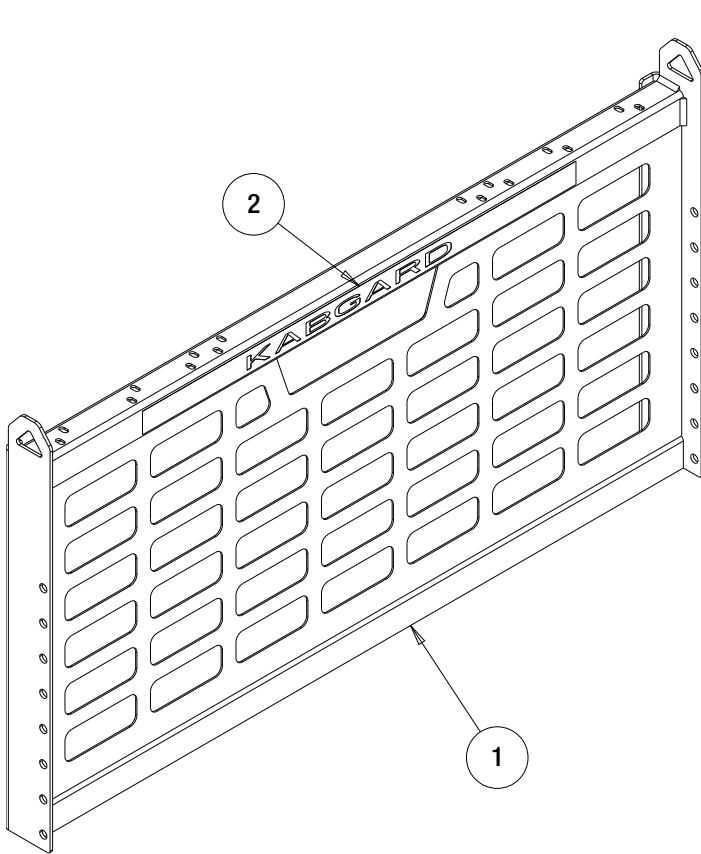


Fig. 4



### BILL OF MATERIALS

Each size and color have its own variant of the screens, towers, and brackets. Here are their part numbers.



ITEM	PART NO.	QTY.	DESCRIPTION
1	3057797	1	GRILL WELDMNT, WINDOW, 49X27, WHITE
	3060328		GRILL, WELDMNT, WINDOW, 49X27, BLACK
	3059163		GRILL, WELDMNT, WINDOW, 54X27, WHITE
	3060331		GRILL, WELDMNT, WINDOW, 54X27, BLACK
2	3040746	1	DECAL, KABGARD
3	3057802	1	MOUNT, BODY, DS, WHITE
	3060329		MOUNT, BODY, DS, BLACK
4	3057805	1	MOUNT, BODY, PS, WHITE
	3060330		MOUNT, BODY, PS, BLACK
5	3044993	1	BOLT KIT - GRILL, WINDOW, SERVICE BODY
5A	3024115	4	BOLT, CARRIAGE, 1/2-13 X 1-1/4, SST
5B	FWF050106010	4	WASHER, FLAT, 1/2 X 1.062 X .095, ZN
5C	FNE050013053	4	NUT, NYLOCK, 1/2-13, GR A, ZN
5D	3000547	8	BOLT, CARRIAGE, 5/16-18 X 1 GR 5 ZN
5E	FWF031075006	8	WASHER, 5/16 SAE TYPE A ZINC
6	FNE031018034SS	8	NUT, NYLOCK, 5/16-18, SST WAX

#### WARRANTY

Buyers Products Co. warrants all truck/trailer hardware manufactured or distributed by it, to be free from defects in material and workmanship for a period of one year from date of shipment. Parts must be properly installed and used under normal conditions. Any product which has been altered, including modification, misuse, accident or lack of maintenance will not be considered under warranty. Normal wear is excluded. The sole responsibility of Buyers Products Co. under this warranty is limited to repairing or replacing any part or parts which are returned, prepaid, and are found to be defective by Buyers Products Co. Authorization from Buyers Products Co. must be obtained before returning any part. No charges for transportation or labor performed on Buyers' products will be allowed under this warranty.