

# Installation Instructions

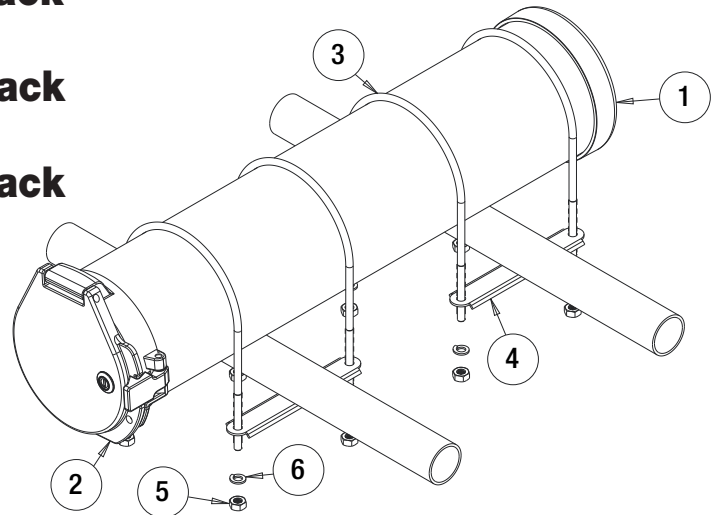
- CC405 4" Locking Conduit Carrier**
- CC410 4" Locking Conduit Carrier, Black**
- CC605 6" Locking Conduit Carrier**
- CC610 6" Locking Conduit Carrier, Black**
- CC805 8" Locking Conduit Carrier**
- CC810 8" Locking Conduit Carrier, Black**

*Before you begin assembling the conduit carrier, verify that you have received all the parts listed in the bill of materials.*

### Tools Required:

- Tape Measure
- Silicon Sealant
- 8 Cap Fasteners (rivets/nuts and bolts)
- 3/8" Drill and Drill Bit for Selected Fasteners
- Wrench

- 1.** Assemble the front and rear covers to a length of 4", 6", or 8" PVC pipe. Apply a bead of silicon sealant (not supplied) to the inside of the front and rear covers before sliding them over the ends of the PVC pipe.
- 2.** Secure the caps to the PVC pipe with either pop rivets or screws (not supplied) in four places. Drill suitably sized holes for your fastener through the cap and PVC pipe. Drill the holes in the 2 o'clock, 4 o'clock, 8 o'clock and 10 o'clock positions.
- 3.** Determine the position on your truck or van ladder rack that you would like to mount your new conduit carrier. Place the Mounting Plate below the truck rack cross bar. Place the U-Bolts over the PVC pipe in front and behind the cross bar and through the steel plates.
- 4.** Secure the conduit carrier assembly to the ladder rack with the provided lock washers and nuts.
- 5.** Front cover locks/unlocks with included key and opens like standard cap.



### Bill of Materials - CC405 & CC410

ITEM	CC405 PARTS	CC410 PARTS	QTY.	DESCRIPTION
1	3016367	3062702	1	CAP, 4"
2	3062699	3062703	1	COVER ASSY, 4"
3	3016371	3016371	4	U-BOLT, 4"
4	3059825	3059825	4	MOUNTING PLATE
5	-	-	8	NUT, HEX, M10-1.5, ZN
6	-	-	8	WASHER, LOCK, M10, ZN

### Bill of Materials - CC605 & CC610

ITEM	CC605 PARTS	CC610 PARTS	QTY.	DESCRIPTION
1	3016366	3062694	1	CAP, 6"
2	3059821	3062695	1	COVER ASSY, 6"
3	3016370	3016370	4	U-BOLT, 6"
4	3059825	3059825	4	MOUNTING PLATE
5	-	-	8	NUT, HEX, M10-1.5, ZN
6	-	-	8	WASHER, LOCK, M10, ZN

### Bill of Materials - CC805 & CC810

ITEM	CC805 PARTS	CC810 PARTS	QTY.	DESCRIPTION
1	3025858	3062709	1	CAP, 8"
2	3062706	3062710	1	COVER ASSY, 8"
3	3025859	3025859	4	U-BOLT, 8"
4	3059825	3059825	4	MOUNTING PLATE
5	-	-	8	NUT, HEX, M10-1.5, ZN
6	-	-	8	WASHER, LOCK, M10, ZN

### WARRANTY

Buyers Products Co. warrants all truck/trailer hardware manufactured or distributed by it, to be free from defects in material and workmanship for a period of one year from date of shipment. Parts must be properly installed and used under normal conditions. Any product which has been altered, including modification, misuse, accident or lack of maintenance will not be considered under warranty. Normal wear is excluded. The sole responsibility of Buyers Products Co. under this warranty is limited to repairing or replacing any part or parts which are returned, prepaid, and are found to be defective by Buyers Products Co. Authorization from Buyers Products Co. must be obtained before returning any part. No charges for transportation or labor performed on Buyers' products will be allowed under this warranty.