

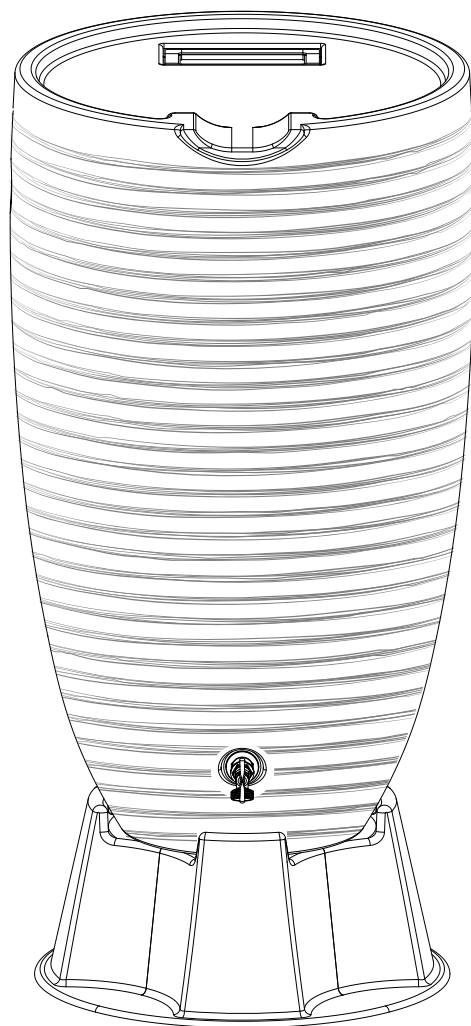
TM

RTS

Home
ACCENTS

Newport Rain Barrel Assembly Instructions

Read all instructions before assembly. To watch the video version of these assembly instructions, visit www.rtshomeaccents.com



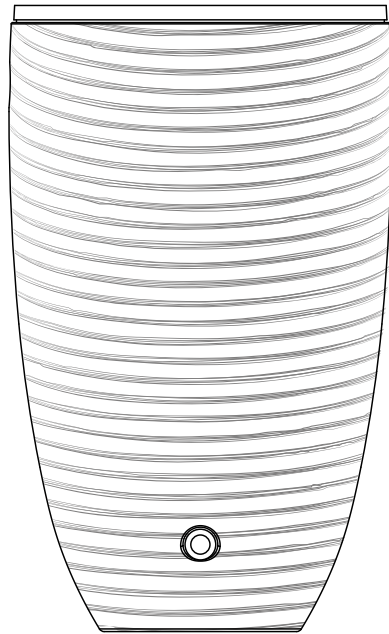
Pour consulter ces instructions de montage en français, visitez www.rtshomeaccents.com.
Para ver estas instrucciones de montaje en español, visite www.rtshomeaccents.com.

WARNING: RTS Home Accents is not responsible for performance of assembled product and will assume no liabilities.

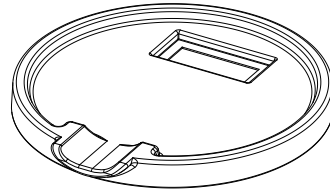
**Questions? Missing Parts? Call us at 1-888-641-3077 (USA),
1-800-663-2803 (Canada) or email us at wecare@rtscompaniesinc.com**

These assembly instructions are for the Newport Rain Barrel with Stand and Removable Lid.

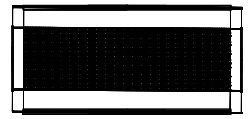
Included:



1x Rain Barrel



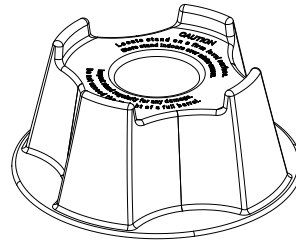
1x Lid



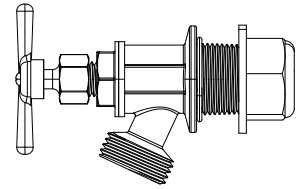
1x Screen



1x Teflon Tape



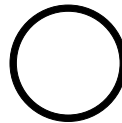
1x Stand



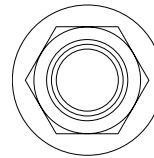
1x Brass Spigot
(with O-ring and nut)

Optional Linking Kit Components:

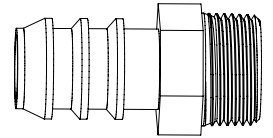
O-Ring, Plastic Lock Nut and Plastic Hose. You will also require hose clamps and linking tube (sold separately). For instructions on how to link rain barrels see steps 5-8.



1x O-Ring

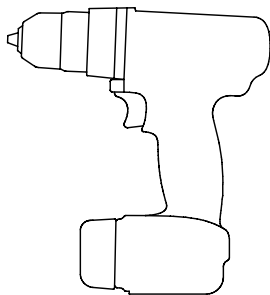


1x Plastic Lock Nut

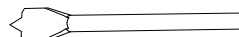


1x Plastic Hose Barb

Required If Connecting Multiple Rain Barrels (Not Included):

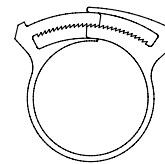


Drill



1" Spade Drill Bit

Link Kit Components Required If Connecting Multiple Rain Barrels (Sold Separately):



2x Plastic Hose Clamps



1x Clear Linking Tube Hose

Cleaning Instructions

Your RTS Home Accents Newport Rain Barrel is manufactured of algae resistant material and does not require regular cleaning. If your Rain Barrel does have some algae inside after extended use, pool or chlorine tablets can be added to a full Rain Barrel. Always follow the recommended ratio from the pool or chlorine tablet manufacturer. After soaking for a day or two, drain and then rinse your Rain Barrel before use.

Winterization Instructions

WARNING!

If you live in a region where temperatures fall below freezing, you must follow these steps to winterize your RTS Home Accents Rain Barrel. Failure to comply with these winterization instructions may result in a void warranty and a crack in your Rain Barrel.

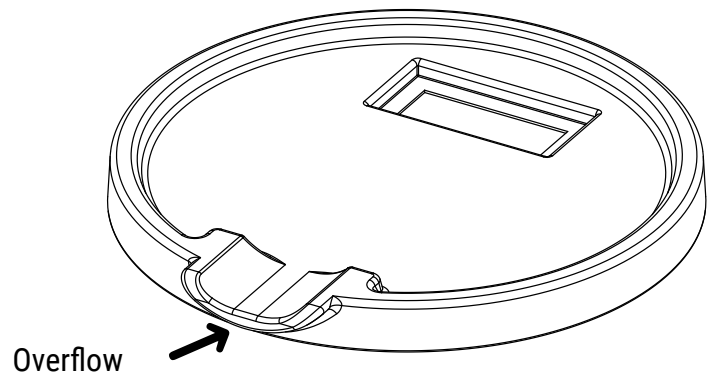
1. Drain out the water from your Rain Barrel and leave spigot open.
2. Clear debris from the filter screen.
3. Remove your Rain Barrel from the stand and store it upside down inside a garage or shed to prevent water from getting inside. If you are unable to store it inside a garage or shed, your Rain Barrel can be stored upside down outside under a secure tarp.

Water Use

RTS Home Accents Rain Barrels are BPA free and made from food grade resin. The water from our Rain Barrels is ideal for watering vegetable gardens, flower gardens, trees, shrubs, lawns, and for animal drinking. The water from our Rain Barrels is not suitable for human drinking.

Overflow

On the front of your Rain Barrel, you will find an overflow near the top. If your Rain Barrel becomes full, excess water will drain through the overflow. Do not block the overflow. The overflow must be left clear and is not designed to have anything attached to it, including a hose or other device.



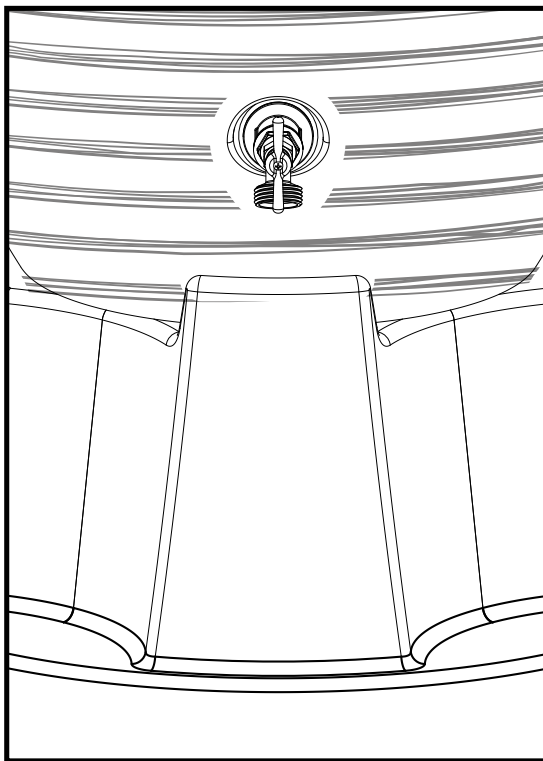
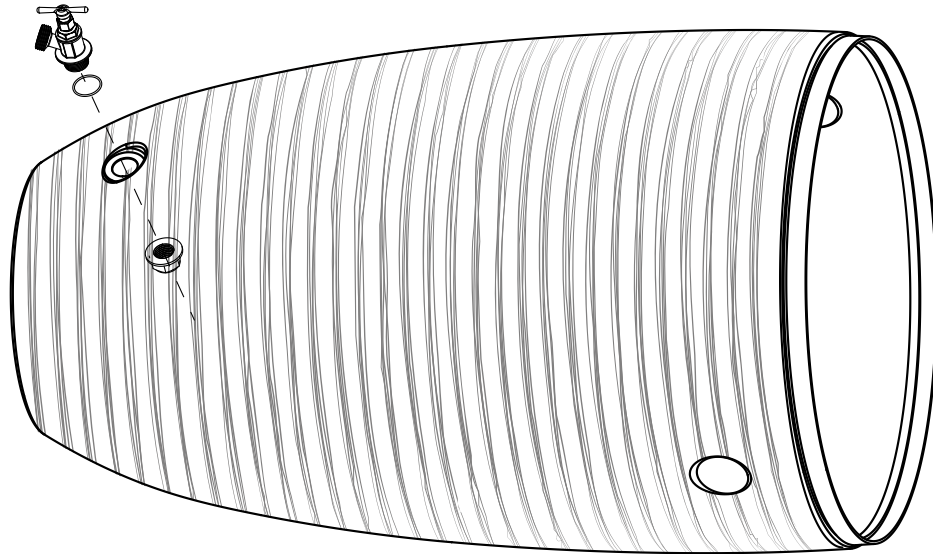
Warranty

RTS Home Accents warrants its products to be free from defects in materials and workmanship under normal use and service for the period of one year. The warranty period begins on the date of invoice. The warranty does not cover defects which are merely cosmetic but is limited to defects which result in structural failure, including structural failure due to material corrosion or deterioration. The warranty applies to the original purchaser of the product and is not assignable or transferable.

The warranty does not cover damage due to vandalism, abuse, lack of maintenance, or improper installation. RTS standard terms and conditions apply.

To begin a warranty claim, call us at 1-888-641-3077 (USA), 1-800-663-2803 (Canada) or email us at: wecare@rtscompaniesinc.com.

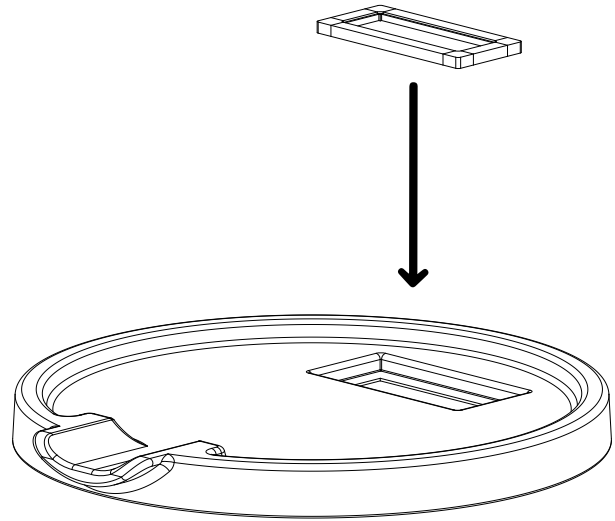
- 1 Lay the Rain Barrel on its side. Line up the brass spigot and insert the threaded end into the hole near the bottom. Reach in and thread the brass nut on the inside of the Barrel making sure the rubber gasket is against the outside wall. Do not overtighten, taking care to have the spigot turned straight down.



After Spigot Installed

Make sure the hose attachment part is pointing towards the bottom of the Rain Barrel.

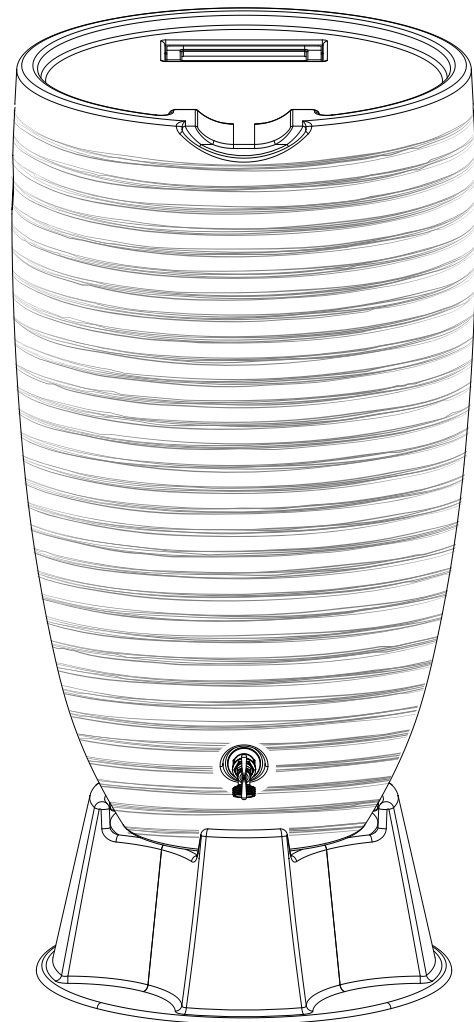
- 2** Stand your Rain Barrel upright. Place the screen in the rectangular opening at the top of your Rain Barrel lid. Make sure the small black rubber barrier on one side of the screen is facing downwards, towards the inside of your Rain Barrel.



- 3** Your Newport Rain Barrel is now assembled. Place the Rain Barrel on a flat surface and ensure the downspout is lined up for the water to flow into the screen on the top of your Rain Barrel.

Note: Barrel Stand is included with your purchase and is optional to use if you wish.

If you are linking multiple Newport Rain Barrels, follow steps 4 to 7.

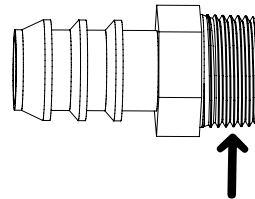


RAIN BARREL LINKING INSTRUCTIONS

The following steps are only needed if installing a hose barb to link two Rain Barrels together or for additional overflow. We highly recommend installing the additional overflow on your Rain Barrel to avoid excess water pushing the lid off.

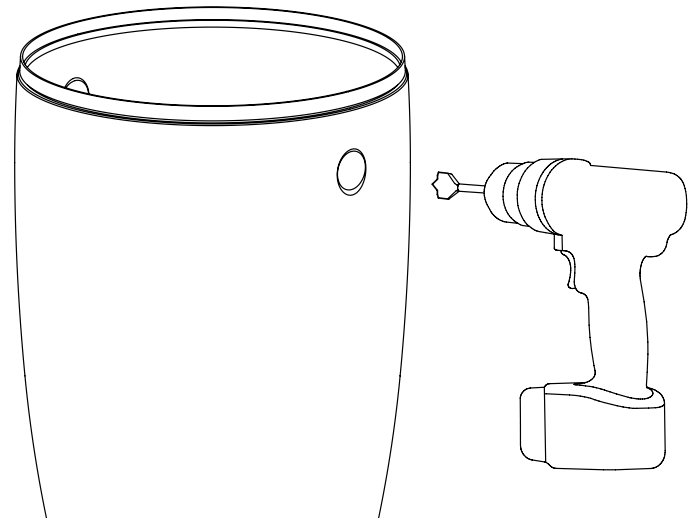
If you are linking three or more Rain Barrels together, please contact us for additional hose bars.

If linking multiple Rain Barrels together, wrap Teflon tape around the threaded end of all hose bars.

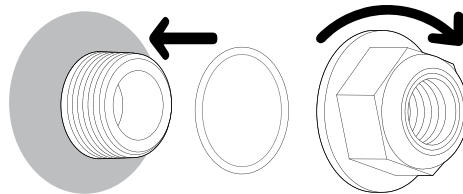


Teflon tape on threaded end of hose barb

4 Using a 1" spade drill bit, drill a hole in the flat area on the left or right side of the Rain Barrel. The hole location is shown in the image below.



5 Insert the threaded end of the hose barb into the 1" drilled hole.



Inside the Rain Barrel

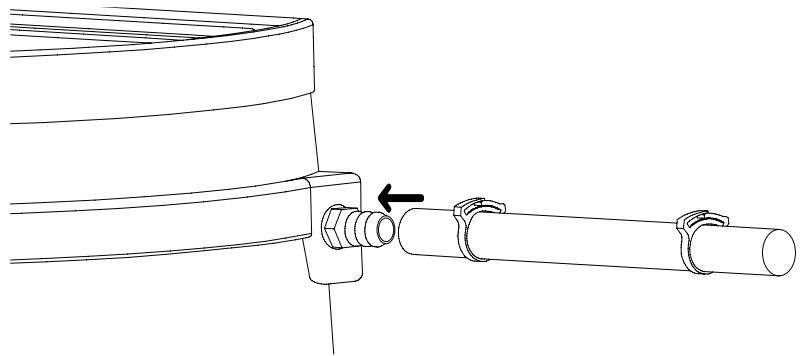
Reach inside the Rain Barrel and place the O-Ring over the hose barb, flush to the inside of the Rain Barrel. Then screw the plastic lock nut onto the hose barb until tight.

Follow step 2 to insert your Rain Barrel screen.

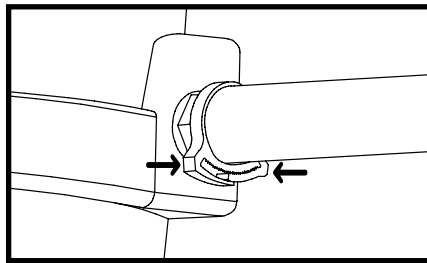
Your new Rain Barrel is now assembled. Place the Rain Barrel on a flat surface. Ensure the downspout is lined up for the water to flow into the screen on the top of your Rain Barrel.

- 6** Once your Rain Barrel screen has been inserted, place both of your Rain Barrels in the desired locations.
Note: Ensure the space between the Rain Barrels is no larger than 12" and that the Rain Barrels are on flat surfaces or on top of RTS Home Accents Rain Barrel Stands (sold separately). The downspout must be lined up for the water to flow into the screen on the top of one of your Rain Barrels.

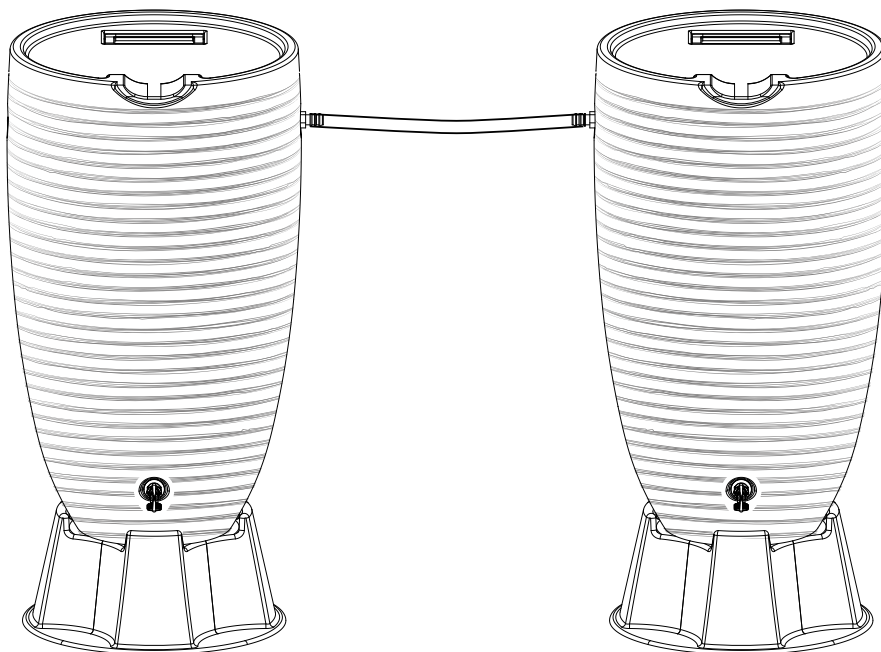
Measure the length of linking hose required and cut the linking hose to the desired length. Slip both hose clips over the linking hose then place the linking hose over each hose barb on the outside of both Rain Barrels. Push and twist the hose to get it onto the hose barb. It will be a tight fit to prevent leaks.

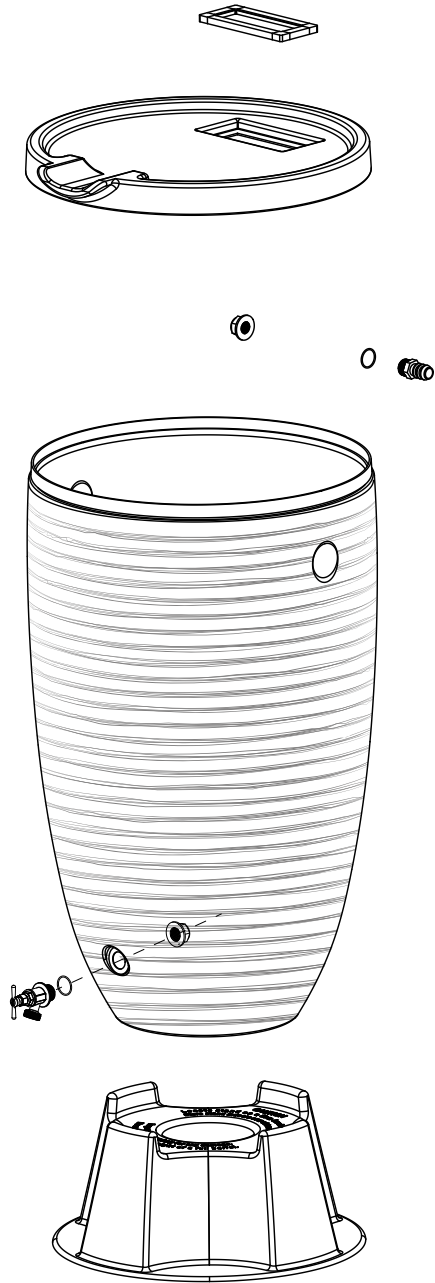


- 7** Squeeze the hose clamps until tight.



Your two new Rain Barrels are now linked together and ready for the first Rainfall.



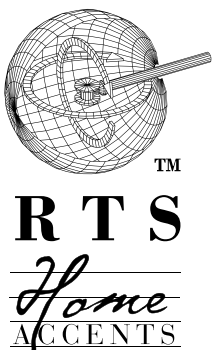


Pour consulter ces instructions de montage en français, visitez www.rtshomeaccents.com.
Para ver estas instrucciones de montaje en español, visite www.rtshomeaccents.com.

We hope you are happy with your purchase.

Please visit the website you purchased from today to leave a review!

**View more products in the RTS Home Accents family at
www.rtshomeaccents.com**



Follow us:

