

Warranty

IF YOU ARE MISSING PARTS DO NOT RETURN TO STORE

Email cs@ohiosteel.com or call 1-800-652-2321, ext. 212

Attach Receipt Here:

Before you call, please email our customer service team at cs@ohiosteel.com with the following:

1. A description of the issue you are experiencing.
2. Photos of the issue that include an overall view and detailed view from multiple angles.
3. If applicable, a short video showing the issue.

Replacement Parts:

You can place your parts order online at ohiosteel.com/partsstore

- You can also reach our Customer Service Department at 1-800-652-2321, ext. 212
- If you are ordering replacement part(s) for your product, please note that some parts are only available as a repair kit.

If this product fails due to a defect in material or workmanship within THREE YEARS from the date of purchase, we will at our option, only with receipt of purchase, repair or replace it free of charge. This warranty excludes tires, wheels, brushes and bag, which are expendable and become worn during normal use.

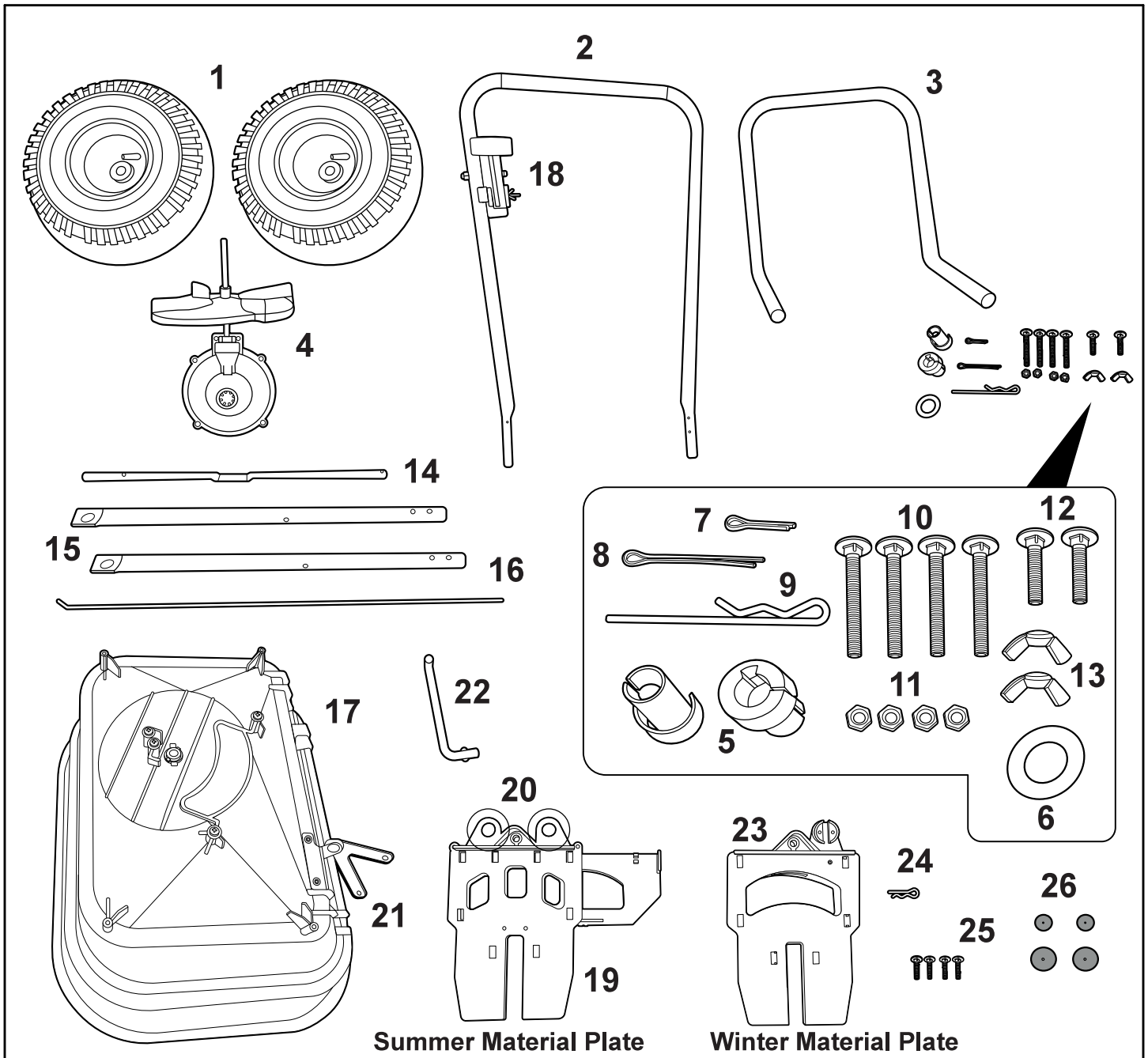
This warranty does not cover:

- Repairs necessary because of operator abuse or negligence.
- Equipment used for commercial or rental purposes.
- Paint that is worn or faded due to normal use or exposure.
- Product degradation or failure due to corrosion or its effects.

To arrange for product repair visit ohiosteel.com/customer-support and fill out the warranty repair form. You can also call 1-800-652-2321, ext. 212 to speak to our Customer Service Team.

This warranty gives you specific legal rights, and you may also have other rights which may vary from state to state. This warranty applies only while this product is in use in the United States.

Carton Contents



PARTS LIST:

| | | | | | |
|----|-----------------------|-----|-------------------|-----|-----------------------|
| 1. | Pneumatic Wheel (X2) | 10. | M6x60 Bolts (X4) | 19. | Summer Material Plate |
| 2. | Handle Bar | 11. | M6 lock nuts (X4) | 20. | Adjuster |
| 3. | Stand | 12. | M6 X35 Bolts (X2) | 21. | Pivot Bracket |
| 4. | Gear Box and Impeller | 13. | M6 Wing Nut (X2) | 22. | Pivot Rod |
| 5. | Axle Bearing (X2) | 14. | Axle | 23. | Winter Material Plate |
| 6. | Wheel Washer | 15. | Lower Frame (X2) | 24. | Cotter Pin (R) Small |
| 7. | Small Cotter pin | 16. | Control Rod | 25. | M4.5 Screws (X4) |
| 8. | Large Cotter pin | 17. | Hopper Body | 26. | M4.5 Washers (X4) |
| 9. | Agitator | 18. | Control Lever | | |

TOOLS REQUIRED FOR ASSEMBLY:

- Screwdriver