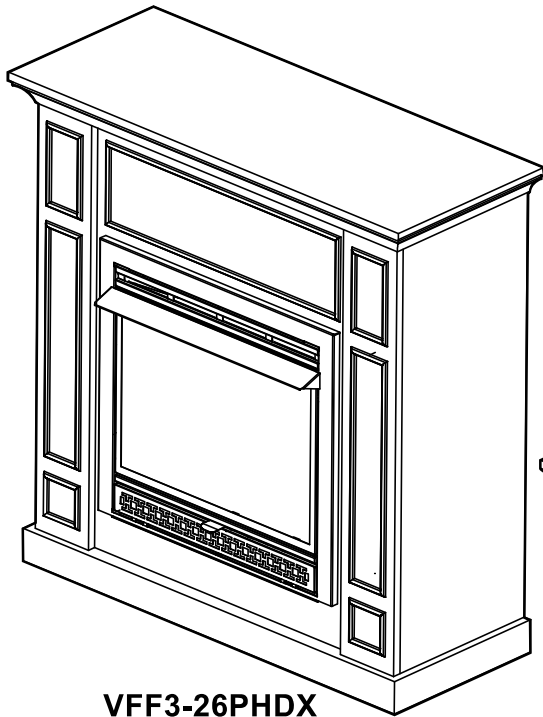


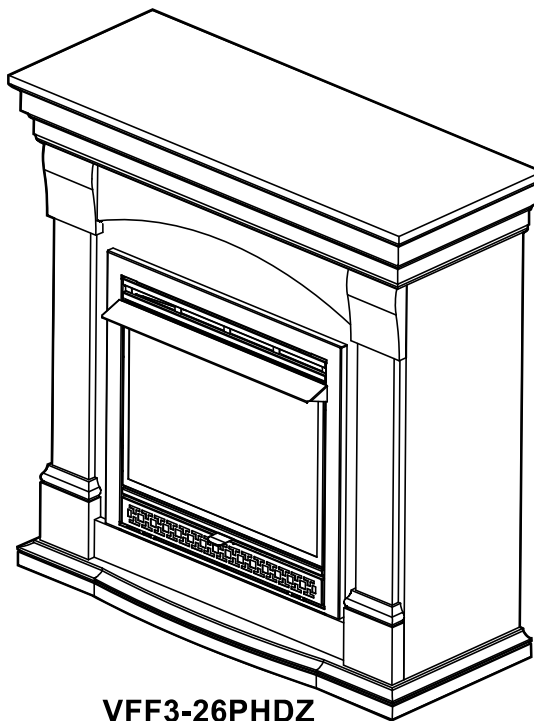
*Pleasant Hearth*<sup>®</sup>

**VENT-FREE GAS  
DUAL FUEL FIREPLACE**

MODEL # VFF3-26PHDX  
VFF3-26PHDZ



**VFF3-26PHDX**



**VFF3-26PHDZ**

Patent Pending  
Dual Fuel System



Dual Fuel



US

ANS Z21.11.2 2019

**INSTALLER: Leave this manual with the appliance.  
CONSUMER: Retain this manual for future reference.**

**⚠ WARNING:** This appliance is equipped for (Natural and Propane) gas. Field conversion is not permitted other than between natural or propane gases.



**Questions, problems, missing parts?** Before returning to your retailer, call our customer service department at 1-877-447-4768, 8:30 a.m. – 4:30 p.m., CST, Monday – Friday. You could also contact us at [customerservice@ghpgroupinc.com](mailto:customerservice@ghpgroupinc.com).

## **CAUTION - FOR YOUR SAFETY**

 **WARNING: IF THE INFORMATION IN THIS MANUAL IS NOT FOLLOWED EXACTLY, A FIRE OR EXPLOSION MAY RESULT CAUSING PROPERTY DAMAGE, PERSONAL INJURY OR LOSS OF LIFE.**


- Do not store or use gasoline or other flammable vapors and liquids in vicinity of this or any other appliance.

### **WHAT TO DO IF YOU SMELL GAS**

- Do not try to light any appliance.
  - Do not touch any electrical switch; do not use any phone in your building.
  - Immediately call your gas supplier from a neighbor's phone. Follow the gas supplier's instructions.
  - If you cannot reach your gas supplier, call the fire department.
- Installation and service must be performed by a qualified installer, service agency or the gas supplier.

This is an unvented gas-fired heater. It uses air (oxygen) from the room in which it is installed. Provisions for adequate combustion and ventilation air must be provided. Refer to Air For Combustion and Ventilation section on page 10-12 of this manual.

This appliance may be installed in an aftermarket, permanently located manufactured (mobile) home, where not prohibited by local codes. This appliance is only for use with propane or natural gas. This appliance is equipped with a simple means to switch between propane and natural gas. Field conversion by any other means including the use of a kit is not permitted.

 **WARNING: Any safety screen or guard removed for servicing an appliance must be replaced prior to operating the heater.**

 **WARNING: When the appliance is installed directly on carpeting, tile or other combustible material, other than wood flooring, the appliance shall be installed on a metal or wood panel extending the full width and depth of the appliance.**

 **WARNING: Do not attempt to access or change the setting of the fuel selection means.**

Access to and adjustment of the fuel selection means must only be performed by a qualified service person when connecting this appliance to a specified fuel supply at the time of installation.

Change of the selector setting to other than the fuel type specified at the time of installation could damage this appliance and render it inoperable.

The installer shall replace the access cover before completing the installation and operating this appliance.

## TABLE OF CONTENTS

Specifications .....	3
Important Safety Information .....	4
Product Identification .....	6
Product Features .....	8
Unpacking.....	8
Assembly .....	9
Preparing for Installation.....	10
Installation and Blower Installation .....	13
Operation.....	28
Care and Maintenance .....	30
Troubleshooting.....	32
Replacement Parts .....	35
Warranty .....	39

**⚠ WARNING: Read the Installation & Operating Instructions before using this appliance.**  
**IMPORTANT: Read all instructions and warnings carefully before starting installation.**  
**Failure to follow these instructions may result in possible injury to persons or a fire hazard and will void the warranty.**

Model	VFF3-26PH(DX,DZ)	
Input Rating	26,000 BTU/Hr	
Minimum Input Rating	20,000 BTU/Hr	14,000 BTU/Hr
Gas Type	LP	NG
Manifold Pressure	10" W.C.	5" W.C.
Max. Inlet Pressure	14" W.C.	14" W.C.
Min. Inlet Pressure	11" W.C.	6" W.C.

### SERVICE HINTS

#### When Gas Pressure Is Too Low

- Pilot will not stay lit.
- Burners will have delayed ignition.
- Fireplace will not produce specified heat.
- For propane/LP units, propane/LP gas supply may be low.

You may feel your gas pressure is too low. If so, contact your local natural or propane/LP gas supplier.



## IMPORTANT SAFETY INFORMATION


### **WARNING: FIRE, EXPLOSION, AND ASPHYXIATION HAZARD**

Improper adjustment, alteration, service, maintenance, or installation of this heater or its controls can cause death or serious injury.

Read and follow instructions and precautions in User's Information Manual provided with this heater.

**IMPORTANT:** Read this owner's manual carefully and completely before trying to assemble, operate, or service this heater. Improper use of this heater can cause serious injury or death from burns, fire, explosion, electrical shock, and carbon monoxide poisoning.

Only a qualified installer, service agent, or local gas supplier may install and service this product.

 **WARNING:** Do not store or use gasoline or other flammable vapors or liquids in the vicinity of this or any other appliance.

 **WARNING:** This appliance can be used with propane or natural gas. It is shipped from the factory adjusted for use with propane.


**CARBON MONOXIDE POISONING:** Early signs of carbon monoxide poisoning resemble the flu with headaches, dizziness, or nausea. If you have these signs, the heater may not be working properly. Get fresh air immediately! Have heater serviced. Some people are more affected by carbon monoxide than others. These include pregnant women, people with heart or lung disease, people who are anemic, those under the influence of alcohol, and those living in high altitudes.


**NATURAL AND PROPANE/LP GAS:** Natural and Propane/LP gases are odorless. An odor-making agent is added to the gas. The odor helps you detect a gas leak. However, the odor added to the gas can fade. Gas may be present even though no odor exists. Make certain you read and understand all warnings. Keep this manual for reference. It is your guide to operating this heater safely.

 **WARNING:** Any change to this fireplace/heater or its controls can be dangerous.


 **WARNING:** Do not use any accessories not approved for use with this heater.

 **WARNING:** Carefully supervise young children when they are in the room with the heater.

 **WARNING:** Heater becomes very hot when operating. Keep children and adults away from hot surfaces to avoid burns or clothing ignition. Heater will remain hot for a time after shutoff. Allow surfaces to cool before touching.

 **WARNING:** Keep the appliance area clear and free from combustible materials, gasoline, and other flammable vapors and liquids.

 **WARNING:** Due to high temperatures, locate this appliance out of traffic and away from furniture and draperies.

 **WARNING:** Do not place clothing or other flammable material on or near the appliance. Never place any objects in the heater.

### **WARNING**

This product and the fuels used to operate this product (propane or natural gas), and the products of combustion of such fuels, can expose you to chemicals including benzene, which is known to the State of California to cause cancer and birth defects or other reproductive harm.

**For more information go to [www.p65Warnings.ca.gov](http://www.p65Warnings.ca.gov)**



## SAFETY INFORMATION

---

1. This appliance is only for use with the type of gas indicated on the rating plate. This appliance is not convertible for use with other gases.
2. Do not place propane/LP supply tank(s) inside any structure. Locate propane/LP supply tank(s) outdoors.
3. If you smell gas
  - Shut off gas supply.
  - Do not try to light any appliance.
  - Do not touch any electrical switch; do not use any phone in your building.
  - Immediately call your gas supplier from a neighbor's phone. Follow the gas supplier's instructions.
  - If you cannot reach your gas supplier, call the fire department.
4. This fireplace shall not be installed in a bedroom or bathroom.
5. Do not use this fireplace as a wood-burning fireplace. Use only the logs provided with the fireplace.
6. Do not add extra logs or ornaments such as pine cones, vermiculite or rock wool. Using these added items can cause sooting. Do not add lava rock around base. Rock and debris could fall into the control area of fireplace.
7. This fireplace is designed to be smokeless. If logs ever appear to smoke, turn off fireplace and call a qualified service person. Note: During initial operation, slight smoking could occur due to log curing and fireplace burning manufacturing residues.
8. To prevent the creation of soot, follow the instructions in Care and Maintenance, page 35.
9. Before using furniture polish, wax, carpet cleaner or similar products, turn fireplace off. If heated, the vapors from these products may create a white powder residue within burner box or on adjacent walls or furniture.
10. This fireplace needs fresh air ventilation to run properly. This fireplace has an Oxygen Depletion Sensing (ODS) safety shutoff system. The ODS shuts down the fireplace if not enough fresh air is available. See Air for Combustion and Ventilation, page 10-12. If fireplace keeps shutting off, see Troubleshooting, page 37.
11. Do not run fireplace
  - Where flammable liquids or vapors are used or stored.
  - Under dusty conditions.
12. Do not use this fireplace to cook food or burn paper or other objects.
13. Never place any objects in the fireplace or on logs.
14. Do not use fireplace if any part has been under water. Immediately call a qualified service technician to inspect the room fireplace and to replace any part of the control system and any gas control which has been under water.
15. Turn off and unplug fireplace and let cool before servicing. Only a qualified service person should service and repair fireplace.
16. Operating fireplace above elevations of 4,500 feet could cause pilot outage.
17. Do not operate fireplace if log is broken. Do not operate fireplace if log is chipped (dime-sized or larger).
18. To prevent performance problems, do not use propane/LP fuel tank of less than 100 lb. capacity.
19. Provide adequate clearances around air openings.

---

---

## QUALIFIED INSTALLING AGENCY

---

---

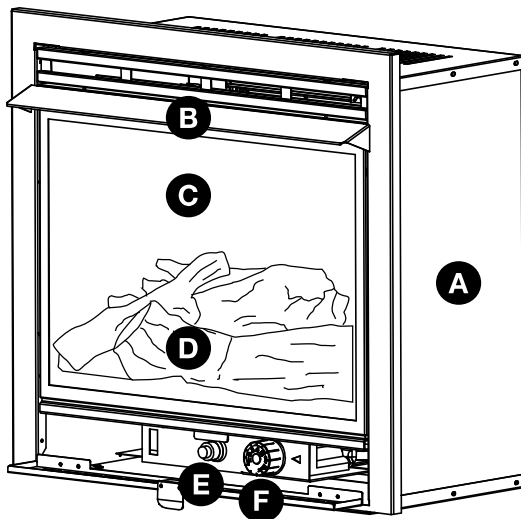
Only a qualified agency should install and replace gas piping, gas utilization equipment or accessories, and repair and equipment servicing. The term "qualified agency" means any individual, firm, corporation, or company that either in person or through a representative is engaged in and is responsible for:

- a) Installing, testing, or replacing gas piping or
- b) Connecting, installing, testing, repairing, or servicing equipment; that is experienced in such work; that is familiar with all precautions required; and that has complied with all the requirements of the authority having jurisdiction.

## PRODUCT IDENTIFICATION

**NOTE:** The fireplace is installed into the mantel through the front opening of the mantel cabinet.

**⚠ WARNING:** This fireplace is designed for use with the mantel cabinet provided. Installing the fireplace cabinet without the provided mantel or substituting another mantel will void the warranty and could result in property damage and personal injury.

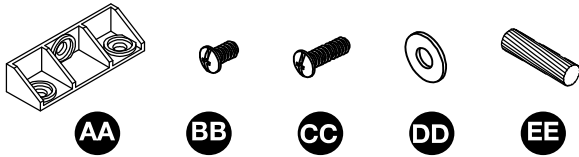
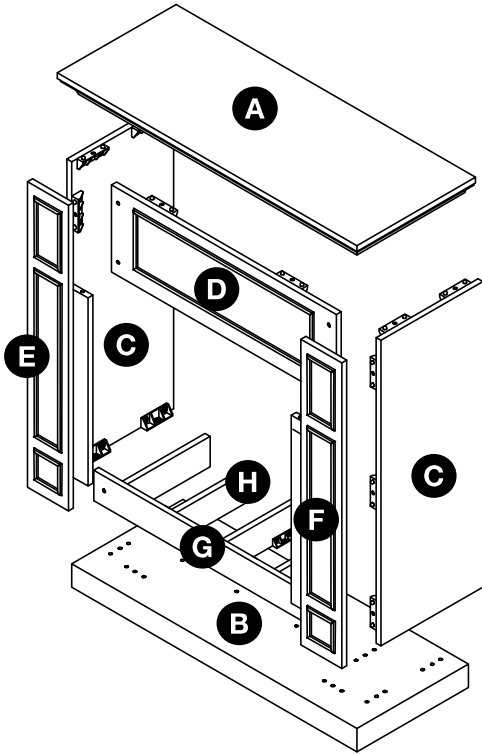


**Fig. 1 - Vent-Free Dual Fuel Fireplace**

PART	DESCRIPTION	QTY
A	Fireplace Cabinet	1
B	Hood	1
C	Screen	1
D	Log	1
E	Ignitor Button	1
F	Control Knob	1

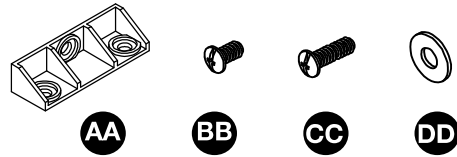
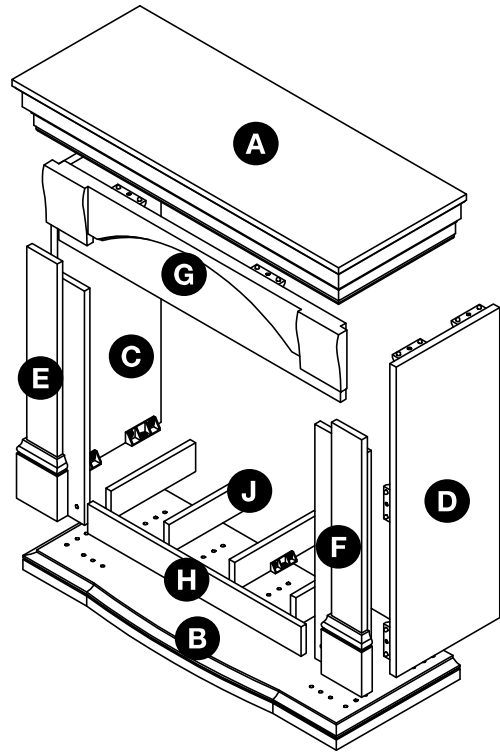
**PRODUCT IDENTIFICATION**

**VFF3-26PHDX**



PART	DESCRIPTION	QTY
A	Top Panel	1
B	Base	1
C	Side Panel	2
D	Upper Front Panel	1
E	Left Front Panel	1
F	Right Front Panel	1
G	Platform Panel	1
H	Support Panel	4
AA	Connector	22
BB	Short Bolt	66
CC	Long Bolt	6
DD	Washer	6
EE	Dowel	4

**VFF3-26PHDZ**



PART	DESCRIPTION	QTY
A	Top Panel	1
B	Base	1
C	Left Side Panel	1
D	Right Side Panel	1
E	Left Front Panel	1
F	Right Front Panel	1
G	Upper Front Panel	1
H	Platform Panel	1
J	Support Panel	4
AA	Connector	22
BB	Short Bolt	66
CC	Long Bolt	2
DD	Washer	2

## PRODUCT FEATURES

---

### SAFETY PILOT

This heater has a pilot with an Oxygen Depletion Sensing (ODS) safety shutoff system. The ODS/pilot shuts off the heater if there is not enough fresh air and cuts off main burner gas in the event of flame out.

### ELECTRIC PUSH BUTTON IGNITION SYSTEM

This heater is equipped with an electronic push button control system. This system requires one AAA battery (provided).

### THERMOSTAT HEAT CONTROL

The control automatically cycles the burner on and off to maintain a desired room temperature. See page 29.

### DUAL FUEL CAPABILITY

Your heater is equipped to operate on either propane or natural gas. The heater is shipped from the factory ready for connecting to propane. The heater can easily be changed to natural gas by having your qualified installer follow the instructions on page 20 and the markings on the heater.

### BLOWER KIT SOLD SEPARATELY (OPTIONAL)

The blower kit helps to distribute the warmed air into the space more rapidly.

**State of Massachusetts: The installation must be made by a licensed plumber or gas fitter in the Commonwealth of Massachusetts. Sellers of unvented propane or natural gas-fired supplemental room heaters shall provide to each purchaser a copy of 527 CMR 30 upon sale of the unit.**

**In the State of Massachusetts, unvented propane or natural gas-fired space heaters shall be prohibited in bedrooms and bathrooms.**

**In the State of Massachusetts the gas cock must be a T-handle type. The State of Massachusetts requires that a flexible appliance connector cannot exceed three feet in length.**

### LOCAL CODES

Install and use heater with care. Follow all codes. In the absence of local codes, use the latest edition of The National Fuel Gas Code, ANSI Z223.1, also known as NFPA 54\*.

\*Available from:

American National Standard Institute, Inc.  
1430 Broadway  
New York, NY 10018

National Fire Protection Association, Inc.  
1 Batterymarch Park  
Quincy, MA 02269-9101

This heater is designed for vent-free operation. State and local codes in some areas prohibit the use of vent-free heaters.

### UNPACKING

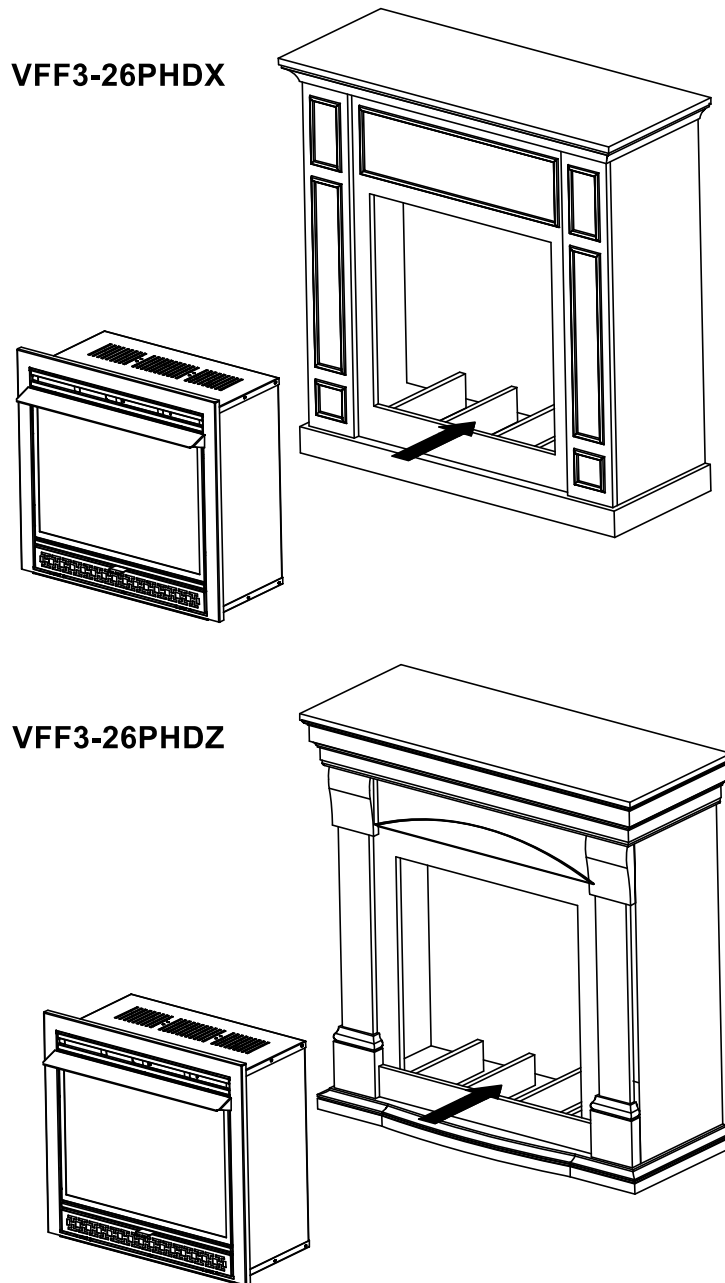
1. Remove the fireplace cabinet and the wood mantel from the carton. The log set is wrapped and packed inside the fireplace cabinet.
2. Remove all protective packaging applied to fireplace for shipment.
3. Make sure your wood mantel includes one hardware packet.
4. Check fireplace for any shipping damage. If fireplace is damaged, call GHP Group, Inc., at 1-877-447-4768. Please do not return it to the store.

## ASSEMBLY

**⚠ WARNING:** Always have screen in place before operating fireplace. This prevents excessive temperatures on fireplace surfaces.

**⚠ WARNING:** Failure to position the parts in accordance with these diagrams or failure to use only parts specifically approved with this fireplace may result in property damage or personal injury.

Carefully lift the insert through the center opening in the front of the fireplace. Slide the insert back through the opening until the metal trim makes contact with the front of the mantel.



**Fig. 2 - Insert Firebox**

## PREPARING FOR INSTALLATION

---

### AIR FOR COMBUSTION AND VENTILATION

**⚠ WARNING:** This heater shall not be installed in a room or space unless the required volume of indoor combustion air is provided by the method described in the *Nation Fuel Gas Code, ANSI Z223.1/NFPA 54*, the *International Fuel Gas Code*, or applicable local codes.

### PRODUCING ADEQUATE VENTILATION

All spaces in homes fall into one of the three following ventilation classifications:

1. Unusually Tight Construction.
2. Unconfined Space.
3. Confined Space.

The information below will help you classify your space and provide adequate ventilation.

#### Confined and Unconfined Space

A confined space as a space whose volume is less than 50 cu. ft. per 1,000 BTU/hr (4.8 m<sup>3</sup> per kw) of the aggregate input rating of all appliances installed in that space and an unconfined space as a space whose volume is not less than 50 cu. ft. per 1,000 BTU/hr (4.8 m<sup>3</sup> per kw) of the aggregate input rating of all appliances installed in that space. Rooms connecting directly with the space in which the appliances are installed\*, through openings not furnished with doors, are considered a part of the unconfined space.

This heater shall not be installed in a confined space or unusually tight construction unless provisions are provided for adequate combustion and ventilation air.

\* Adjoining rooms are connecting only if there are doorless passageways or ventilation grills between them.

#### Unusually Tight Construction

The air that leaks around doors and windows may provide enough fresh air for combustion and ventilation. However, in buildings of unusually tight construction, you must provide additional fresh air.

Unusually tight construction is defined as construction where:

- a) walls and ceilings exposed to the outside atmosphere have a continuous water vapor retarder with a rating of one perm (6x10<sup>-11</sup>kg per pa-sec-m<sup>2</sup>) or less with openings gasketed or sealed and
- b) weather stripping has been added on windows that can be opened and on doors and
- c) caulking or sealants are applied to areas such as joints around window and door frames, between sole plates and floors, between wall-ceiling joints, between wall panels, at penetrations for plumbing, electrical, and gas lines, and at other openings.

If your home meets all of the three criteria above, you must provide additional fresh air. See "Ventilation Air From Outdoors" (page 12). If your home does not meet all of the three criteria above, proceed to "Determining Fresh-Air Flow For Heater Location".

## PREPARING FOR INSTALLATION

---

### DETERMINING FRESH-AIR FLOW FOR HEATER LOCATION

#### Determining if You Have a Confined or Unconfined Space

Use this worksheet to determine if you have a confined or unconfined space.

**Space:** Includes the room in which you will install heater plus any adjoining rooms with doorless passageways or ventilation grills between the rooms.

1. Determine the volume of the space  $\text{Length} \times \text{Width} \times \text{Height} = \text{cu. ft. (volume of space)}$   
Example: Space size 20 ft. (length)  $\times$  16 ft.(width)  $\times$  8 ft. (ceiling height) = 2560 cu. ft. (volume of space)

If additional ventilation to adjoining room is supplied with grills or openings, add the volume of these rooms to the total volume of the space.

2. Divide the space volume by 50 cu. ft. to determine the maximum BTU/hr the space can support.  
 $\underline{\hspace{2cm}}$  (volume of space)  $\div$  50 cu. ft.= (Maximum BTU/hr the space can support)  
Example: 2560 cu. ft. (volume of space)  $\div$  50 cu. ft. = 51.2 or 51,200 (maximum BTU/hr the space can support)

3. Add the BTU/hr of all fuel burning appliances in the space.

Vent-free heater  $\underline{\hspace{2cm}}$  BTU/hr  
Gas water heater\*  $\underline{\hspace{2cm}}$  BTU/hr  
Gas furnace  $\underline{\hspace{2cm}}$  BTU/hr  
Vented gas heater  $\underline{\hspace{2cm}}$  BTU/hr Example:  
Gas heater logs  $\underline{\hspace{2cm}}$  BTU/hr Gas water heater 30,000 BTU/hr  
Other gas appliances\*+  $\underline{\hspace{2cm}}$  BTU/hr Vent-free heater + 26,000 BTU/hr  
Total =  $\underline{\hspace{2cm}}$  BTU/hr Total = 56,000 BTU/hr

\*Do not include direct-vent gas appliances. Direct-vent draws combustion air from the outdoors and vents to the outdoors.

4. Compare the maximum BTU/hr the space can support with the actual amount of BTU/hr used.

$\underline{\hspace{2cm}}$  BTU/hr (maximum the space can support)  
 $\underline{\hspace{2cm}}$  BTU/hr (actual amount of BTU/hr used).  
Example : 51,200 BTU/hr (maximum the space can support) 56,000 BTU/hr (actual amount of BTU/hr used)

The space in the above example is a confined space because the actual BTU/hr used is more than the maximum BTU/hr the space can support.

You must provide additional fresh air. Your options are as follows:

- a) Rework worksheet, adding the space of an adjoining room. If the extra space provides an unconfined space, remove door to adjoining room or add ventilation grills between rooms. See "Ventilation Air From Inside Building," page 12.
- b) Vent room directly to the outdoors. See "Ventilation Air From Outdoors", page 12.
- c) Install a lower BTU/hr heater if lower BTU/hr size makes room unconfined. If the actual BTU/hr used is less than the maximum BTU/hr the space can support, the space is an unconfined space. You will need no additional fresh air ventilation.

## PREPARING FOR INSTALLATION

### Ventilation Air From Inside Building

This fresh air would come from adjoining unconfined space. When ventilating to an adjoining unconfined space, you must provide two permanent openings: one within 12 in. of the wall connecting the two spaces (see options 1 and 2, Fig. 4). You can also remove door into adjoining room (see option 3, Fig. 4).

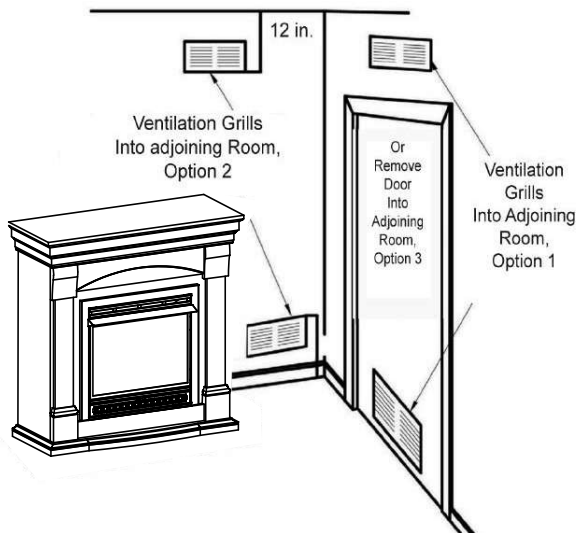
Follow the National Fuel Gas Code NFPA 54/ANS Z223.1, Air for Combustion and Ventilation for required size of ventilation grills or ducts.

### Ventilation Air From Outdoors

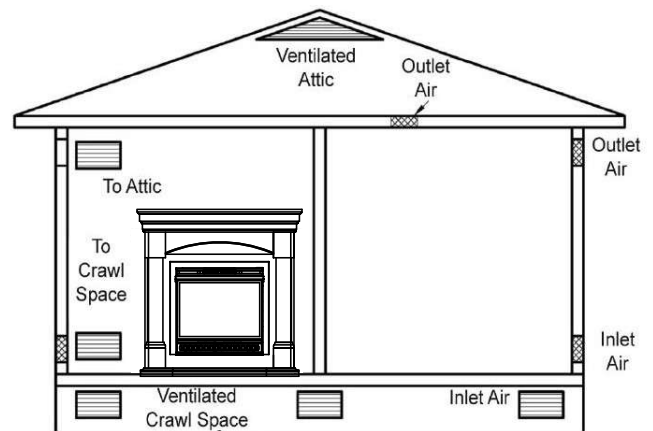
Provide extra fresh air by using ventilation grills or duct. You must provide two permanent openings: one within 12 in. of the ceiling and one within 12 in. of the floor. Connect these items directly to the outdoors or spaces open to the outdoors. These spaces include attics and crawl spaces.

Follow the National Fuel Gas Code NFPA 54/ANS Z223.1, Air for Combustion and Ventilation for required size of ventilation grills or ducts.

**IMPORTANT:** Do not provide openings for inlet or outlet air into attic if attic has a thermostat-controlled power vent. Heated air entering the attic will activate the power vent. Rework worksheet, adding the space of the adjoining unconfined space. The combined spaces must have enough fresh air to supply all appliances in both spaces.



**Fig. 4 - Ventilation Air from Inside Building**



**Fig. 5 - Ventilation Air from Outdoors**

## INSTALLATION

---

**⚠ NOTICE:** This heater is intended for use as supplemental heat. Use this heater along with your primary heating system. Do not install this heater as your primary heat source.

**⚠ WARNING:** A qualified technician must install heater. Follow all local codes.

**⚠ WARNING:** Never install the heater:

- In a bedroom or bathroom.
- In a recreational vehicle.
- Where curtains, furniture, clothing, or other flammable objects are less than 42 in. from the front, top or sides of the heater.
- In high traffic areas.
- In windy or drafty areas.

**⚠ WARNING:** Maintain the minimum clearances. If possible, provide greater clearances from the floor, ceiling, and adjoining wall than required.

**CAUTION:** This heater creates warm air currents. These currents move heat to wall surfaces next to heater. Installing heater next to vinyl or cloth wall coverings or operating heater where impurities (such as tobacco smoke, aromatic candles, cleaning fluids, oil or kerosene lamps, etc.) in the air exist, may cause walls to discolor.

**IMPORTANT:** Vent-free heaters add moisture to the air. Although this is beneficial, installing heater in rooms without enough ventilation air may cause mildew to form from too much moisture. See Air for Combustion and Ventilation, pages 10 through 12.

### CHECK GAS TYPE

Be sure your gas supply is right for your heater.

### CLEARANCES TO COMBUSTIBLES

Carefully follow the instructions below. This heater is a designed to sit directly on the mantel base.

**IMPORTANT:** Maintain the minimum clearances shown in Figure 6 on page 14. If you can, provide greater clearances from floor, ceiling and joining wall.

## INSTALLATION

---

### FIREPLACE CLEARANCES

- ⚠ CAUTION:** If you install the fireplace in a home garage
- Fireplace pilot and burner must be at least 18" above floor.
  - Locate fireplace where moving vehicle will not hit it.

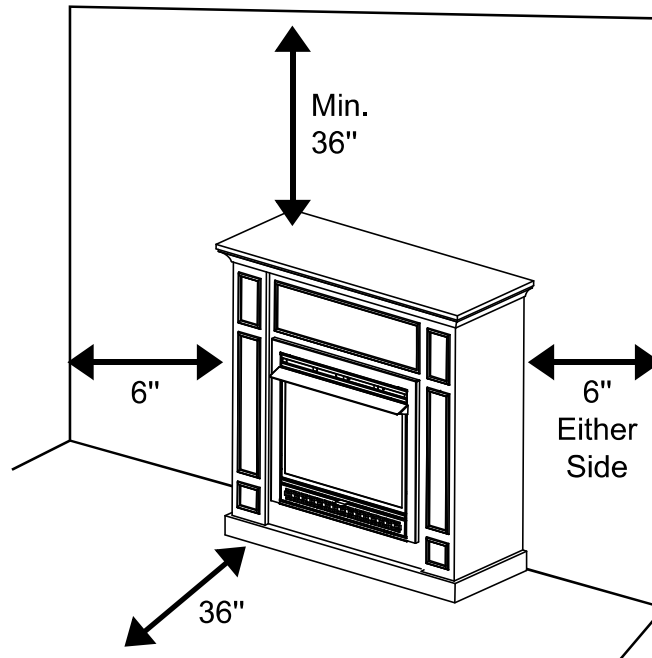
For convenience and efficiency, install fireplace

- Where there is easy access for operation, inspection and service.
- In coldest part of room.
- If this appliance is to be installed directly on carpeting, tile or other combustible material, other than wood flooring, the appliance must be installed on a metal or wood panel extending the full width and depth of the appliance.

#### Minimum Clearances For Side Combustible Material, Side Wall and Ceiling

A. Clearances from the side of the fireplace cabinet to any combustible material and wall should follow diagram in Figure 6.

B. Clearances from the top of the fireplace opening to the ceiling should not be less than 36".



**Fig. 6 - Minimum Clearance to Combustible Material**

- This firebox is only for use with the mantel provided.

## BLOWER ASSEMBLY (OPTIONAL)

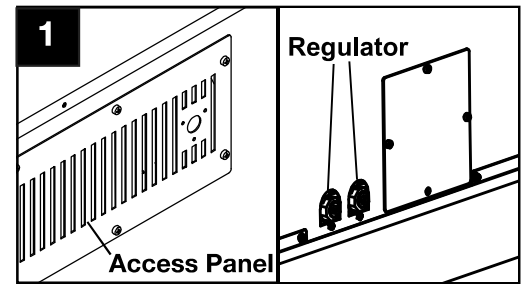
**⚠ WARNING:** This optional blower is equipped with a three-prong (grounding) plug for your protection against shock hazard and must be plugged directly into a properly grounded three-prong receptacle.

This blower is available online or at your local retailer. **Sold Separately.** Firebox must be disconnected from gas supply and removed from mantel before installing fan accessory. Contact a qualified service person to do this.

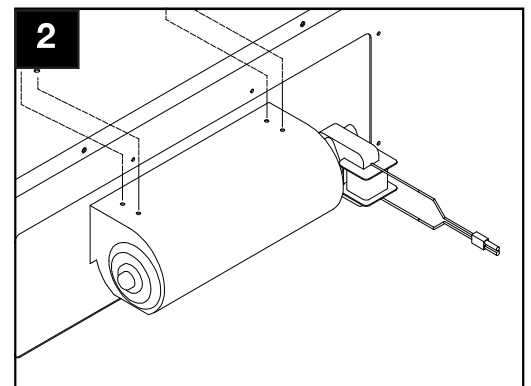
NOTE: Install Blower before placing firebox into mantel. We recommend installing the blower FIRST. If you are NOT installing a blower, please skip to page 20.

### BLOWER ASSEMBLY (OPTIONAL)

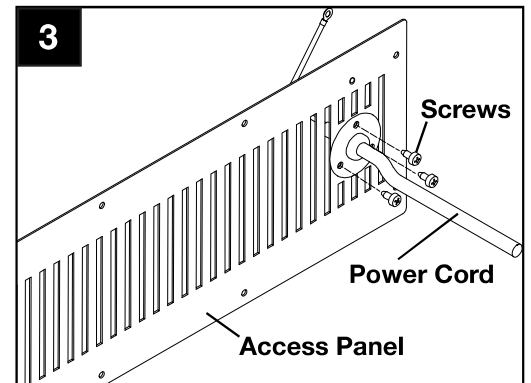
1. Remove Blower Top Access Panel and Bottom Panel.



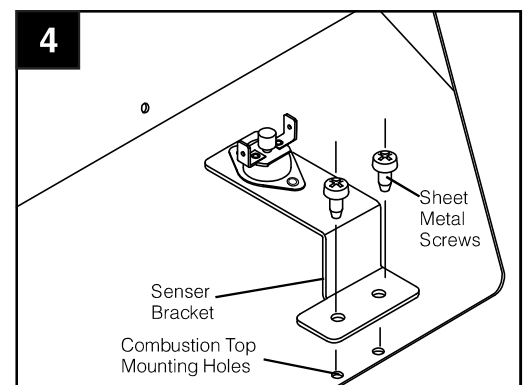
2. Mount Blower (B) onto bottom of Fireplace Top using 4 screws. (F).



3. Pre-thread the Power Cord Screws (3). Attach Power Cord (A) to Blower Access Panel.

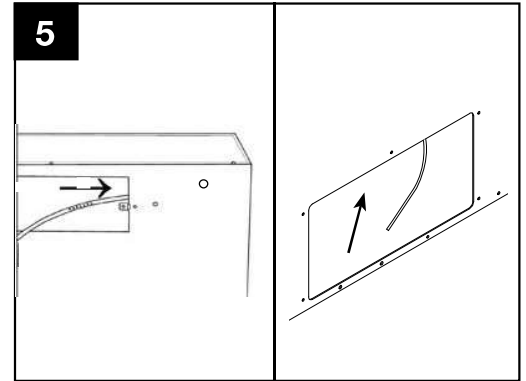


4. Attach Temperature Sensor (C) to the Combustion Top using 2 sheet metal screws.

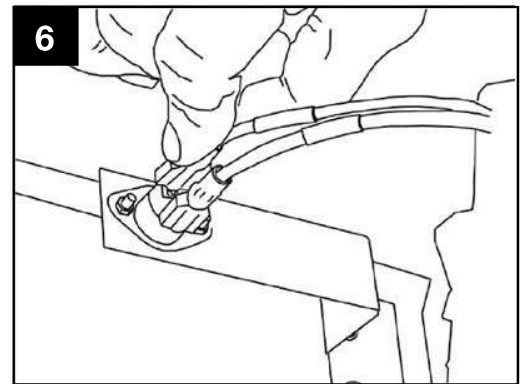


## BLOWER ASSEMBLY (CONTINUED)

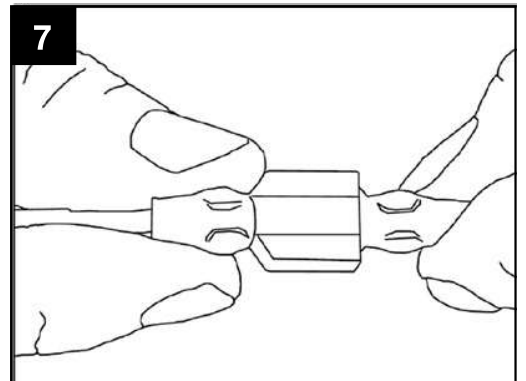
5. Important: Insert the wires marked with AUTO, OFF and MAN into line slot on the right corner. Keep wires close to the bottom and guide to the front using the bottom access.



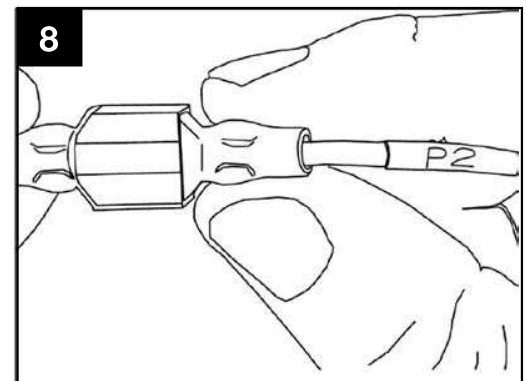
6. Insert two wires' female plugs marked with T1 and T2 (black and yellow) into two male ports on Temperature Sensor.



7. Insert the female plug on the white power supply wire (marked with P1), into the corresponding male port (marked with P1).

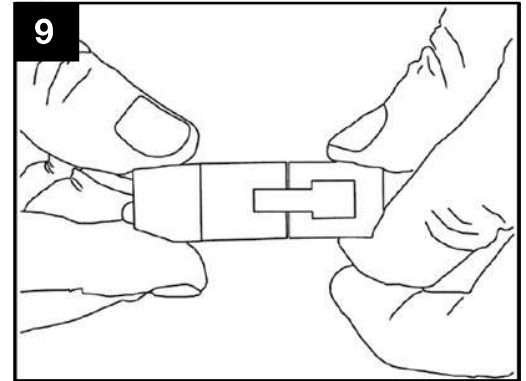


8. Insert the female plug (marked with P2) into the corresponding male port, which is on the black power supply wire (marked with P2).

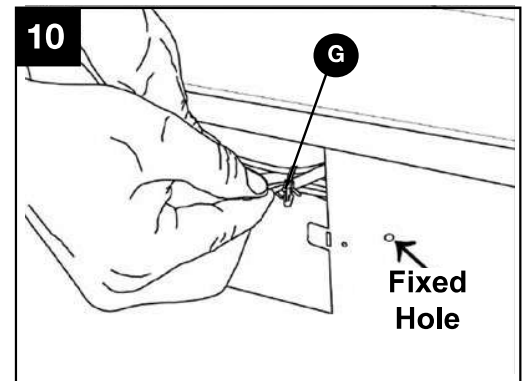


## BLOWER ASSEMBLY (CONTINUED)

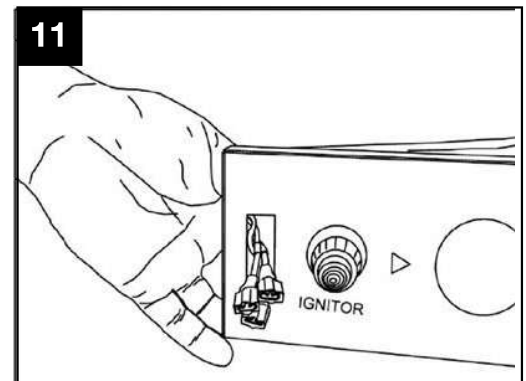
9. Insert the blower link (male plug) into the power link (female port).



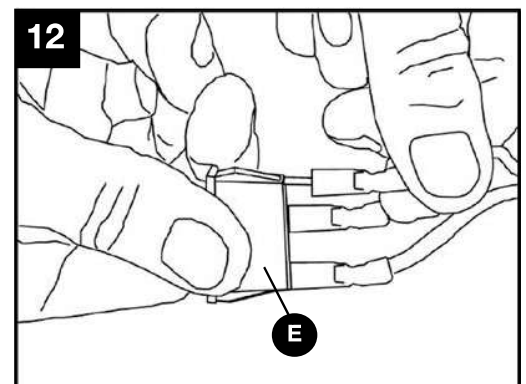
10. **Important:** Bind wires with cable tie (G), and attach cable tie (G) side of the Outer Casing. Do the same with the wires through the bottom access panel. Keep wires from obstructing the blower.



11. Insert AUTO, OFF, MAN wires through the Rocker Switch opening.

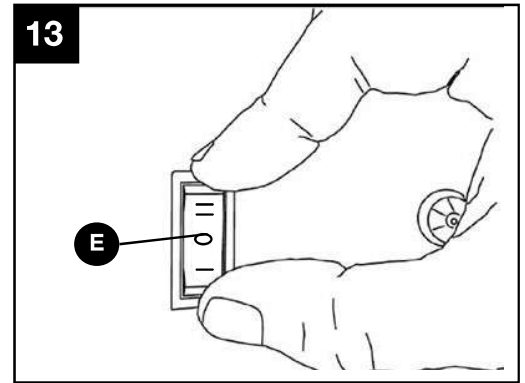


12. Connect AUTO, OFF, MAN wires to the three corresponding male ports on the Rocker Switch (E). Match the "Auto" wire to the symbol "—" and the "Man" wire to the symbol "=" on the rocket switch (E).

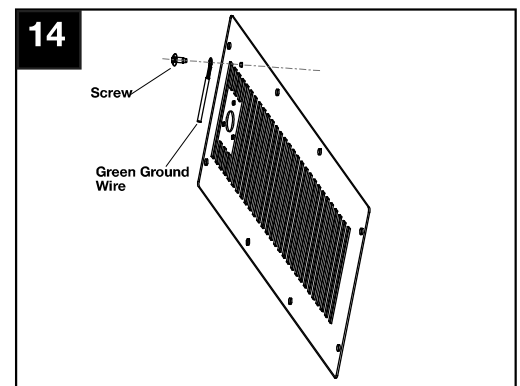


## BLOWER ASSEMBLY (CONTINUED)

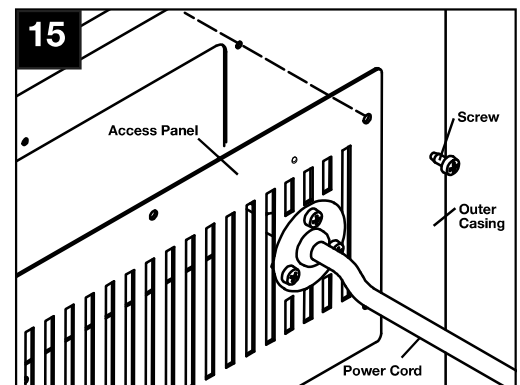
13. Push Rocker Switch (E) into Control Panel and secure.



14. Secure the Green Ground wire to the Grounding screw hole from the inside with the screw.

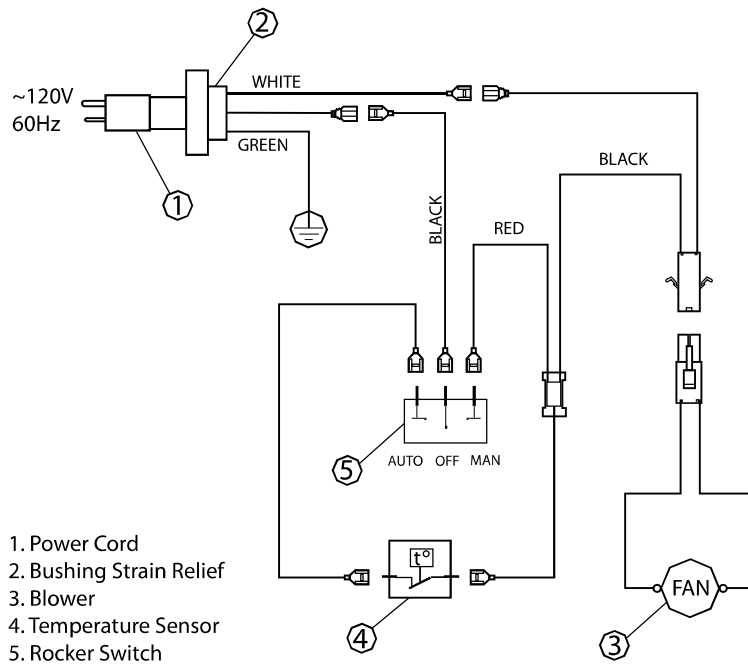


15. Check that all wires are secure and reattach Blower Access Panel to Outer Casing.



# BLOWER ASSEMBLY (CONTINUED)

## Electrical Wiring Diagram



NOTE: If any of the original wire as supplied with the appliance must be replaced, it must be replaced with a wire of at least an equal temperature rating.

**⚠ CAUTION:** Label all wires prior to disconnection when servicing controls. Wiring errors can cause improper and dangerous operation.

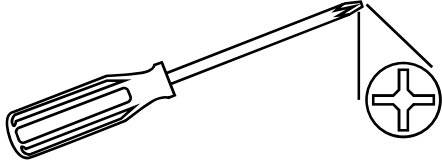
Verify proper operation after servicing.

## INSTALLATION - VFF3-26PHDX

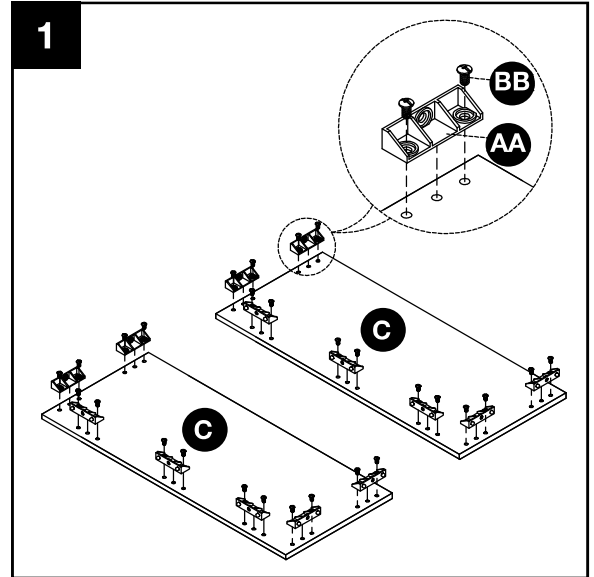
**NOTE:** If you have model #VFF3-26PHDZ, please skip to page 23.

Tools Required:

- Phillips screwdriver (not included)

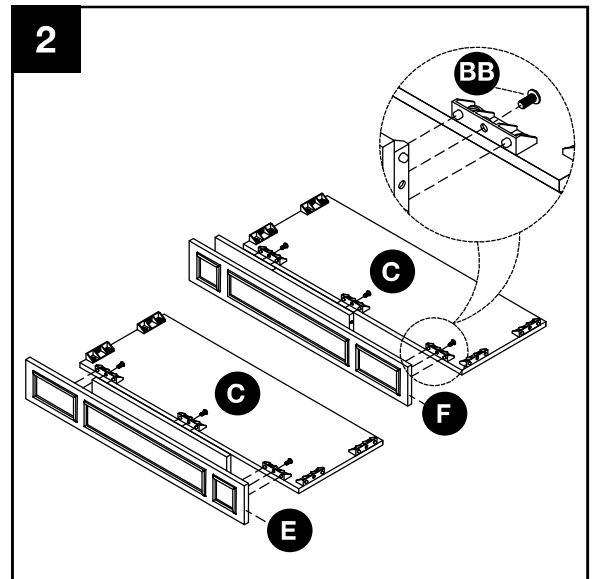


1. Secure 14 connectors (AA) to the left and right side panels (C) using 28 short bolts (BB).

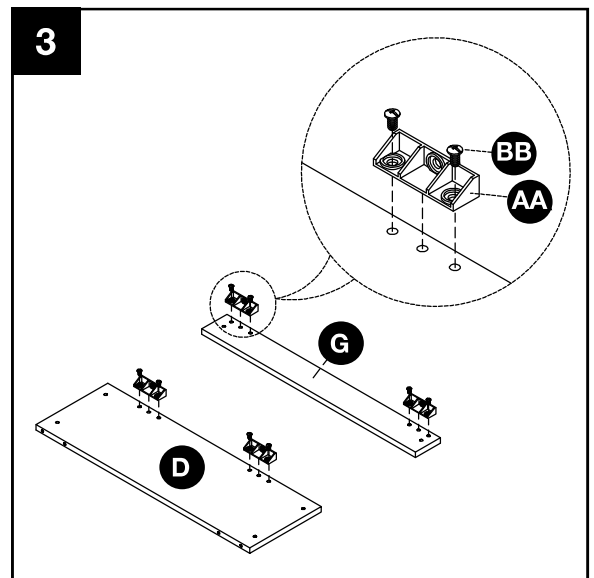


2. Connect the left front panel (E) to left side panel (C) with 3 short bolts (BB).

Connect the right front panel (F) to the right side panel (C) with 3 short bolts (BB).

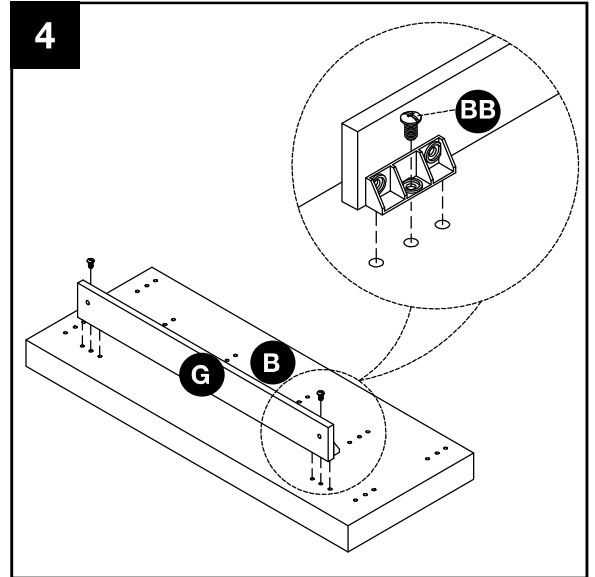


3. Secure 4 connectors (AA) to the upper front panel (D) and platform panel (G) using 8 short bolts (BB).

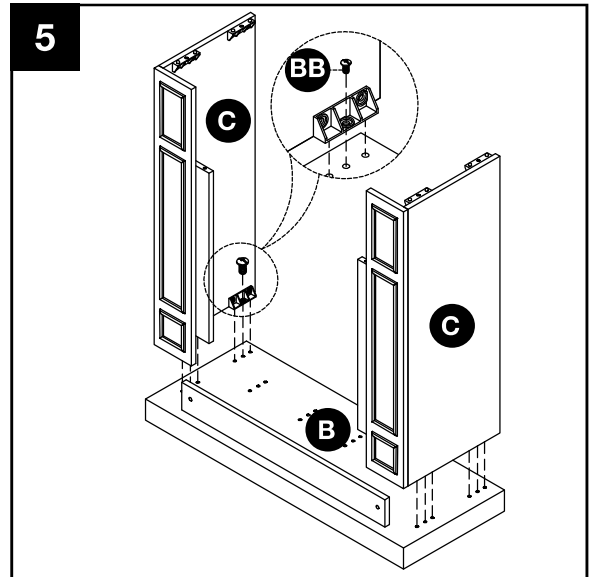


## INSTALLATION - VFF3-26PHDX

4. Connect the platform panel (G) to the long side of the base (B) using 2 short bolts (BB).

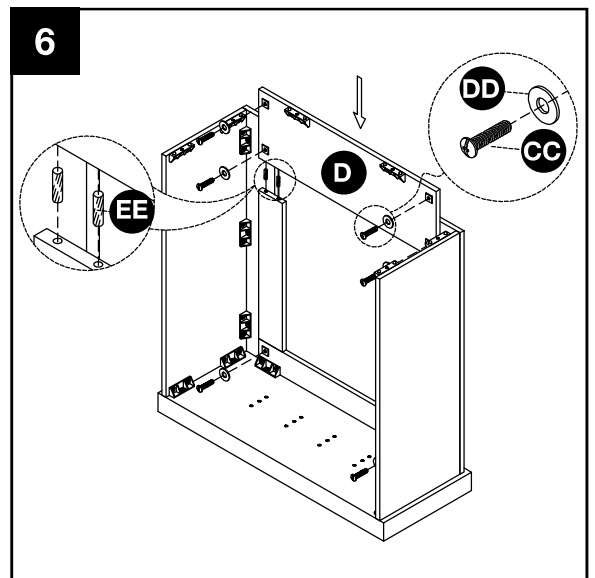


5. Connect the left and right (C) side panels to the base (B) using 4 short bolts (BB).



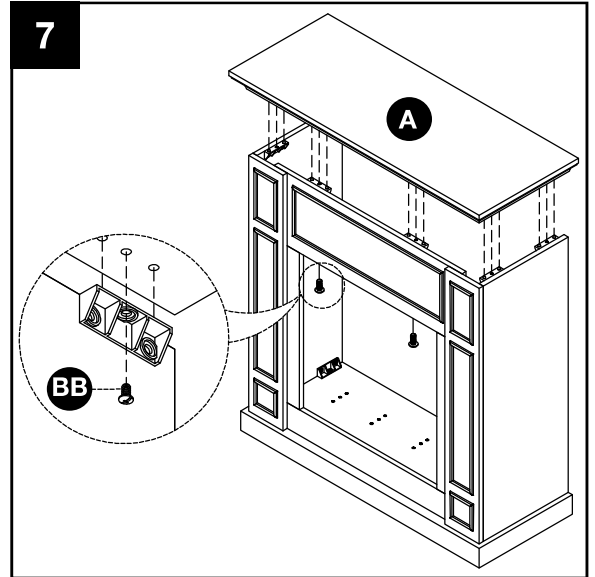
6. Connect the upper front panel to the left (E) and right (F) front panels using 4 dowels (EE), 4 long bolts (CC) and 4 washers (DD).

Secure the platform panel (G) with the left (E) and right (F) front panels using 2 long bolts (CC) and 2 washers (DD).

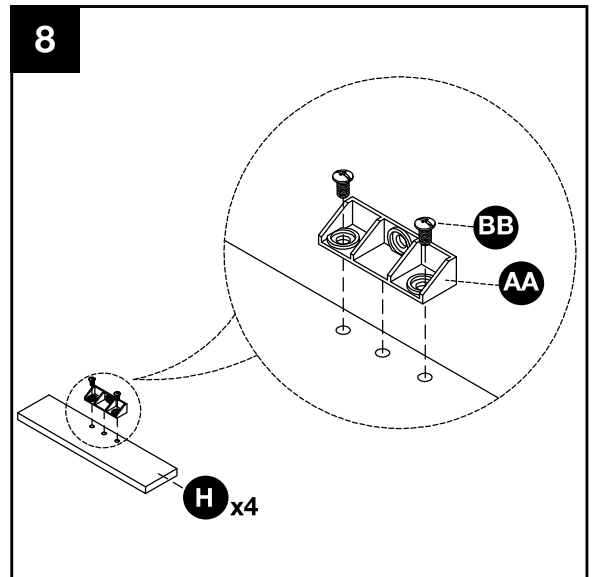


## INSTALLATION - VFF3-26PHDX

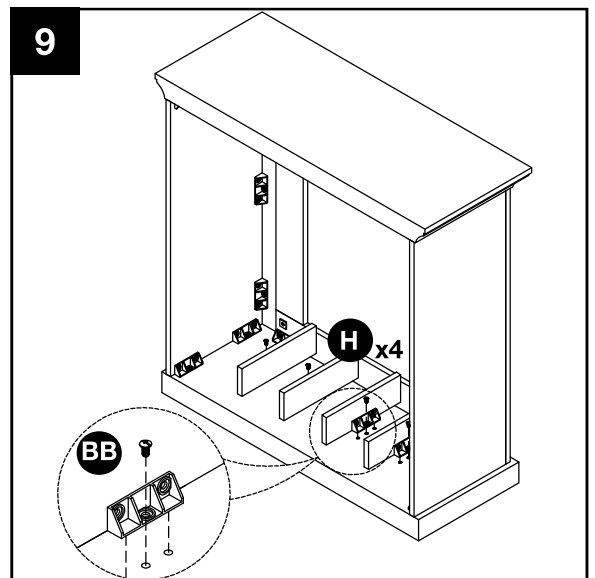
7. Connect the top panel (A) to the left and right (C) side panels and the upper front panel (D) using 6 short bolts (BB).



8. Secure 4 connectors (AA) to the 4 support panels (H) using 8 short bolts (BB).



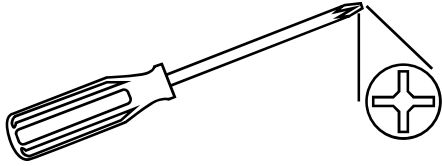
9. Connect the 4 support panels (H) to the base (B) using 4 short bolts (BB).



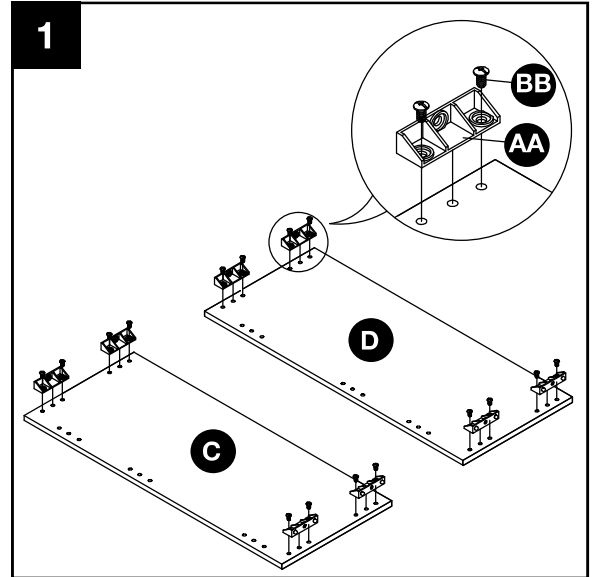
# INSTALLATION - VFF3-26PHDZ

Tools Required:

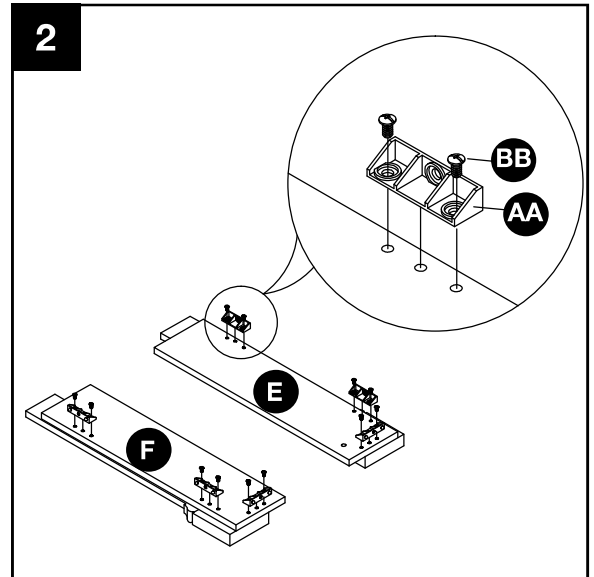
- Phillips screwdriver (not included)



1. Secure 8 connectors (AA) to the short sides of the left (C) and right (D) side panels using 16 short bolts (BB).

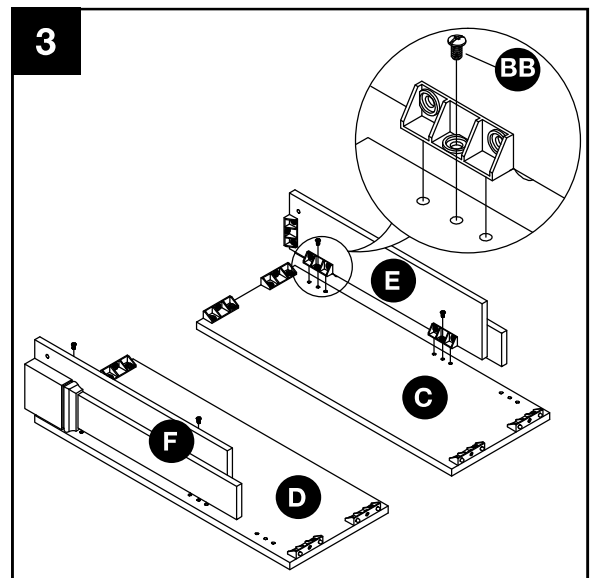


2. Secure 6 connectors (AA) to the left (E) and right (F) front panels using 12 short bolts (BB).



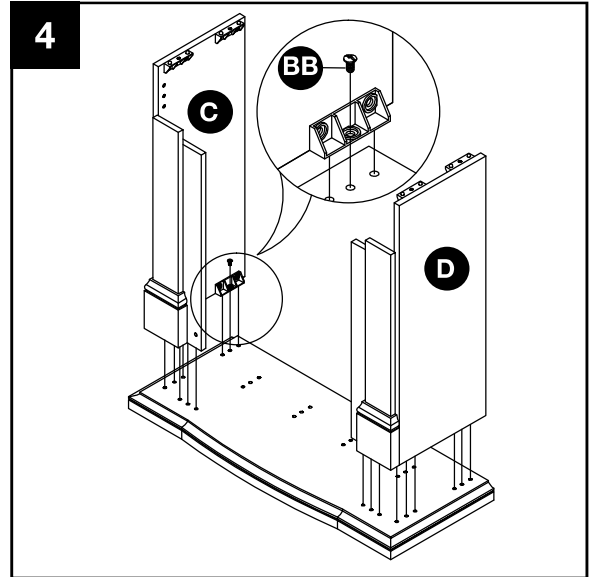
3. Connect the long side of the left front panel (E) to the long side of the left side panel (C) with 2 short bolts (BB).

Connect the long side of the right front panel (F) to the long side of the right side panel (D) with 2 short bolts (BB).

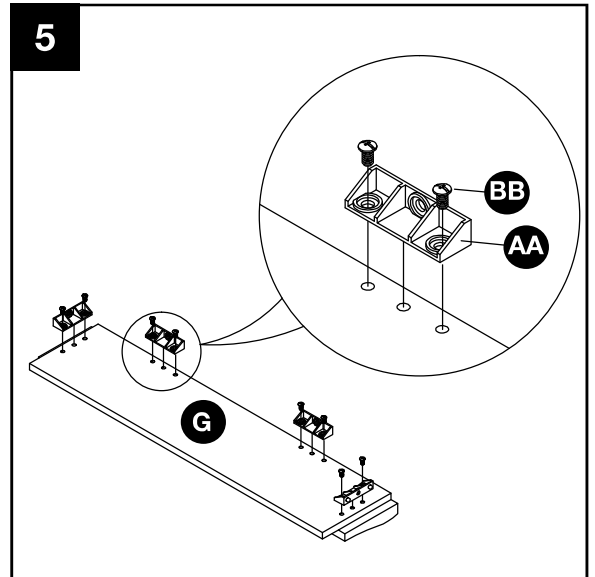


## INSTALLATION - VFF3-26PHDZ

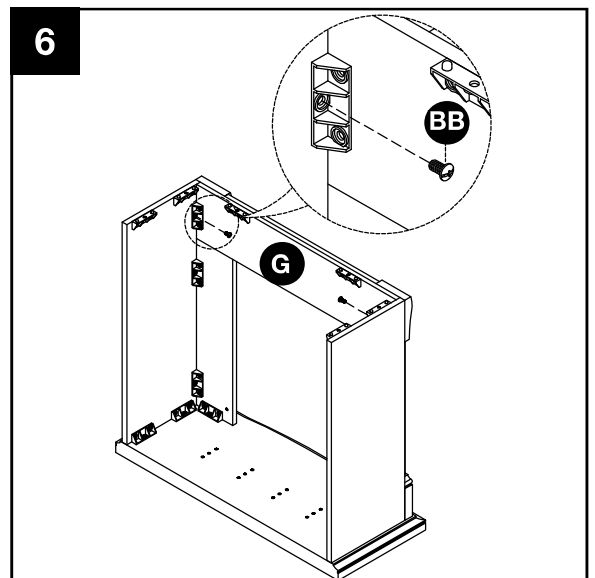
4. Connect the left (C) and right (D) side panels and the left (E) and right (F) front panels to the base (B) using 6 short bolts (BB).



5. Secure 4 connectors (AA) to the upper front panel (G) using 8 short bolts (BB).

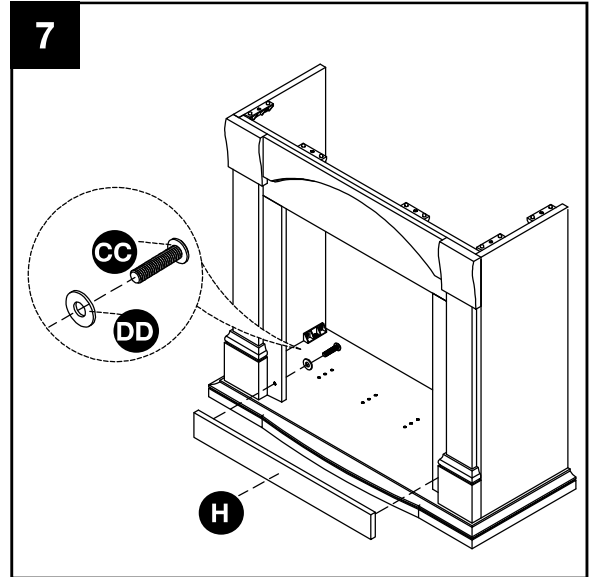


6. Connect the upper front panel (G) to the left (E) and right (F) front panels using 2 short bolts (BB).

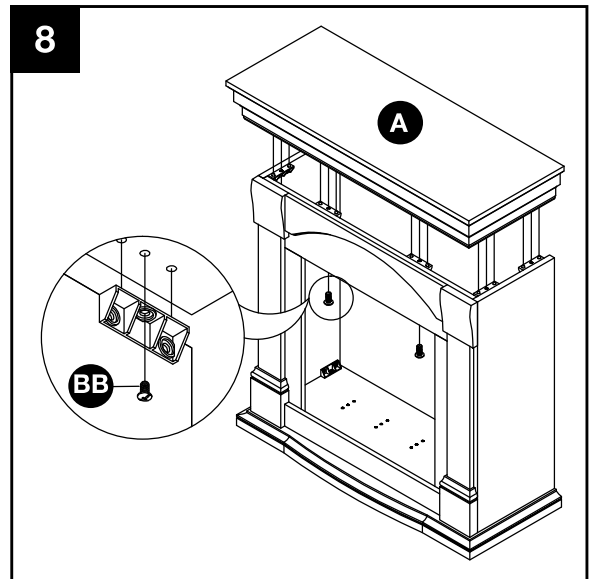


## INSTALLATION - VFF3-26PHDZ

7. Connect the platform panel (H) to the left (E) and right (F) front panels using 2 long bolts (CC) and 2 washers (DD).

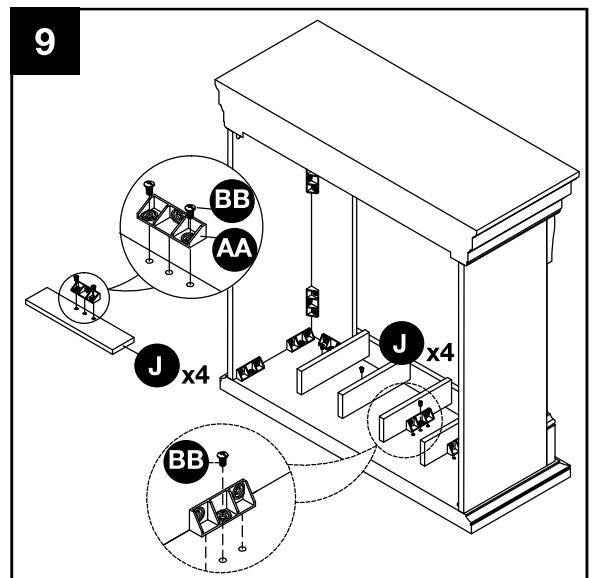


8. Connect the top panel (A) to the left (C) and right (D) side panel and the upper front panel (G) using 6 short bolts (BB).



9. Secure 4 connectors (AA) to the 4 support panels (J) using 8 short bolts (BB).

Connect the support panels (J) to the base (B) using 4 short bolts (BB).



# INSTALLATION

## GAS SELECTION INSTRUCTIONS

**⚠ WARNING:** This appliance can be used with propane or natural gas. It is shipped from the factory adjusted for use with propane.

**CAUTION:** The knob to the gas selection means shall not be accessed or adjusted while the appliance is in operation.

**CAUTION:** Two gas line installations at the same time are prohibited. The access plate to simple switching means shall not be opened while heater is in operation.

Installation and adjustments shall be made by a qualified technician only.

NOTE: If you are connecting this appliance to propane do not make any adjustments. Proceed to installing the gas line as instructed in the Owner's Manual.

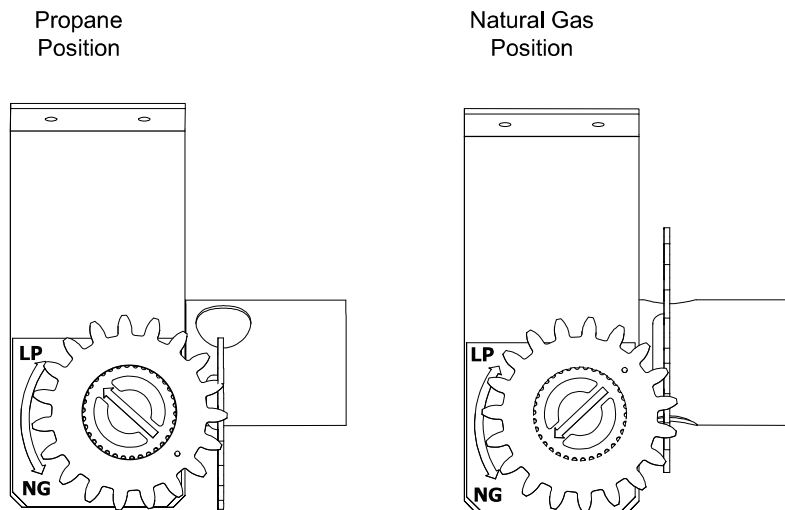
### Convert to natural gas:

Step 1 - Adjust the gas selector valve

Push in on the selector valve Knob and rotate the knob counter-clockwise until it stops. Release the knob (See Fig. 8)

**Do not operate the appliance between locked positions.**

Reverse step 1 to convert back to propane gas.



**Fig. 8 - Selector Valve**

## INSTALLATION

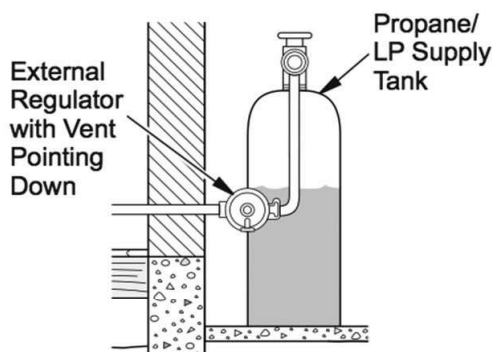
### CONNECTING TO GAS SUPPLY

**⚠ WARNING:** A qualified service technician must connect heater to gas supply. Follow all local codes.

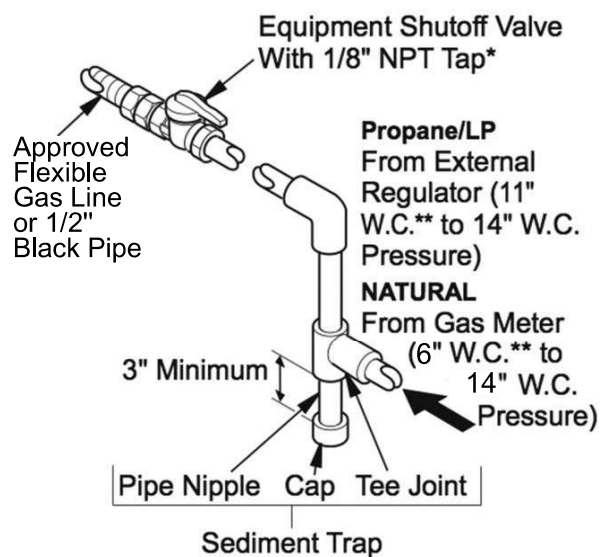
**CAUTION:** Never connect heater directly to the gas supply. This heater requires an external regulator (not supplied). The external regulator between the gas supply and heater must be installed. Gas supplier provides external regulator for natural gas.

**⚠ WARNING:** Never connect heater to private (non-utility) gas wells. This gas is commonly known as wellhead gas.

The installer must supply an external regulator for liquid propane. The external regulator is provided by the gas supplier for natural gas. The external regulator will reduce incoming gas pressure. You must reduce incoming gas pressure to between 11 and 14 in. of water column for propane and between 6 and 14 in. of water column for natural gas. If you do not reduce incoming gas pressure, heater regulator damage could occur. Install external regulator with the vent pointing down as shown in Fig. 6. Pointing the vent down protects it from freezing rain or sleet.



**Fig. 9 - Regulator Conversion**



**Fig. 10 - Gas Connection**

\* Purchase the optional equipment shutoff valve from your local Home Center store.

**⚠ CAUTION:** Use only new black iron or steel pipe. Internally tinned copper tubing may be used in certain areas. Check your local codes. Use pipe of 1/2 in. diameter or greater to allow proper volume gas to heater. If pipe is too small, loss of pressure will occur. Installation must include an equipment shutoff valve, union, and plugged 1/8-in. NPT tap. Locate NPT tap within reach for test gauge hook up. NPT tap must be upstream from heater (See Fig. 10).

**IMPORTANT:** Install equipment shutoff valve in an accessible location. The equipment shutoff valve is for turning on or shutting off the gas to the appliance. Apply pipe joint sealant lightly to male threads. This will prevent excess sealant from going into pipe. Excess sealant in pipe could result in clogged heater valves.

## INSTALLATION

**⚠ CAUTION:** Use pipe joint sealant that is resistant to gas (PROPANE or NG). We recommend that you install a sediment trap in a supply line as shown in Fig. 10. Locate sediment trap where it is within reach for cleaning and not likely to freeze. Install in the piping system between fuel supply and heater. A sediment trap traps moisture and contaminants. This keeps them from going into heater controls. If sediment trap is not installed or is installed incorrectly, heater may not run properly.

**⚠ CAUTION:** Avoid damage to regulator. Hold gas regulator with wrench when connecting into gas piping and/or fittings. NG Models: 6 in. to 14 in. W.C. Gas supplier provides external regulator for natural gas.

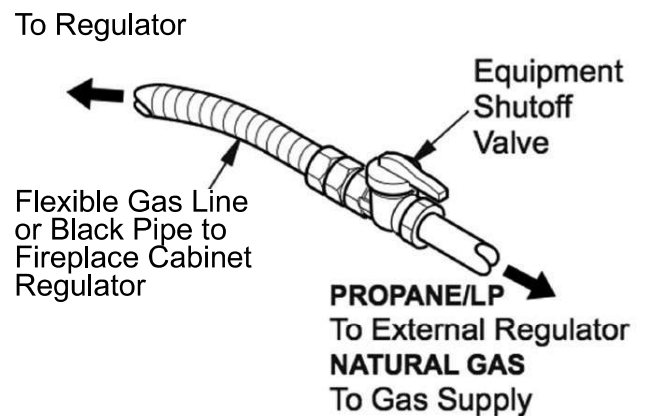
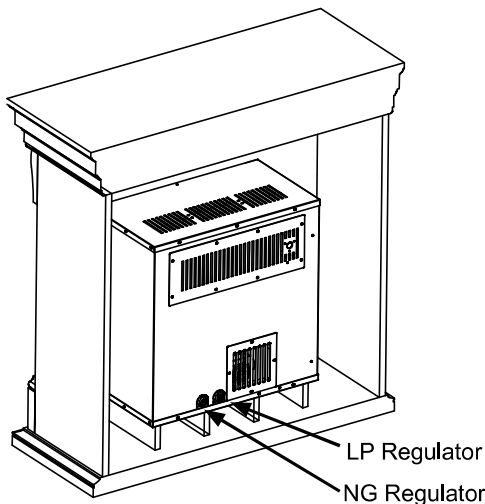
### Installation Items Needed (Not Provided)

- 8" Adjustable Wrench
- 8" Pipe Wrench
- Flexible Gas Line (24" Min.) or 1/2" Black Pipe
- 90 Deg. 3/8 NPT x 3/8" Flare Fitting or 3/8" Street Elbow
- Sealant (Resistant to Propane (LP) Gas)
- Shut Off Valve

- 1) A variety of options are possible for routing the Gas Connection Lines depending on where your Gas Supply line is located. Install the 3/8" Fitting to the Fireplace Cabinet Regulator using Sealant and direct the attachment and either left or right toward the Gas Supply Line.

**NOTICE:** Most building codes do not permit concealed gas connections. Check your local building code prior to using a Flexible Gas Line for this installation.

- 2) Install the Gas Line to the 90 Deg. fitting and attach to the Shut Off Valve. It may be necessary to cut and access hole in the side or bottom of the Mantel Cabinet depending on your particular connection.
- 3) Check all connections for gas leaks.



**Fig. 11 - Attaching Flexible Gas Line to Equipment Shutoff Valve**

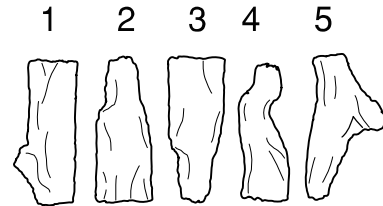
## ASSEMBLING LOGS

**⚠ WARNING:** Failure to position the parts in accordance with these diagrams or failure to use only parts specifically approved with this heater may result in property damage or personal injury.

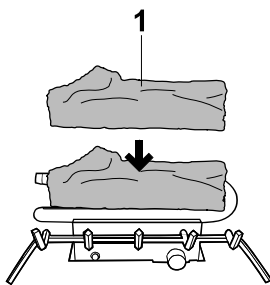
**⚠ CAUTION:** After installation and periodically thereafter, check to ensure that no yellow flame comes in contact with any log. With the heater set to High, check to see if yellow flames contact any log. If so, reposition logs according to the log installation instructions in this manual. Yellow flames contacting logs will create soot.

It is very important to install the logs exactly as instructed. Do not modify logs. Use only logs supplied with heater. Each log is marked with a number, this number will help you identify the logs when installing.

Provided Logs: 5

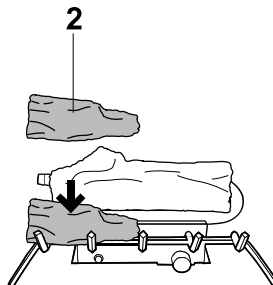


Installing Log #1



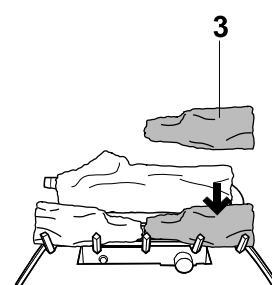
1. Insert log #1 onto the rear row of pins on the base pan.

Installing Log #2



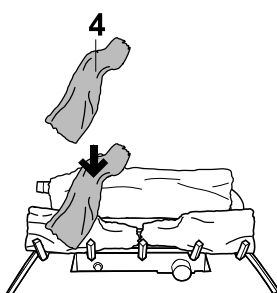
2. Insert log #2 onto the front left pin on the base pan.

Installing Log #3



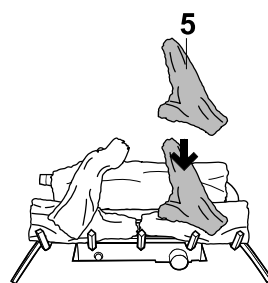
3. Insert log #3 onto the front right pin on the base pan.

Installing Log #4



4. Insert log #4 onto the left pin of log #1 and the pin of log #2.

Installing Log #5



5. Insert log #5 onto the right pin of log #1 and the pin of log #3.

## INSTALLATION

### CHECKING GAS CONNECTIONS

**⚠ WARNING:** Test all gas piping and connections for leaks after installing or servicing. Correct all leaks immediately.

**⚠ WARNING:** Never use an open flame to check for a leak. Apply a mixture of liquid soap and water to all joints. If bubbles form, there may be a leak. Correct all leaks immediately.

#### Pressure Testing Gas Supply Piping System Test Pressures In Excess Of 1/2 PSIG ( 3.5kPa )

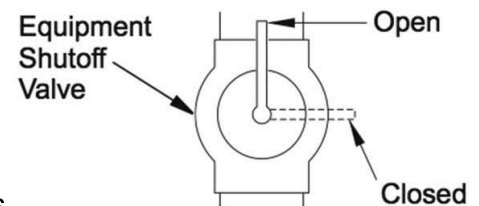
1. Disconnect heater with its appliance main gas valve (control valve) and equipment shutoff valve from gas supply piping system. Pressures in excess of 1/2 PSIG will damage heater regulator.
2. Cap off open end of gas pipe where equipment shutoff valve was connected.
3. Pressurize supply piping system by either using compressed air or opening gas supply tank valve.
4. Check all joints of gas supply piping system. Apply mixture of liquid soap and water to gas joints. If bubbles form, there may be a leak.
5. Correct all leaks immediately.
6. Reconnect heater and equipment shutoff valve to gas supply. Check reconnected fittings for leaks.

#### Test Pressures Equal To or Less Than 1/2 PSIG (3.5 kPa)

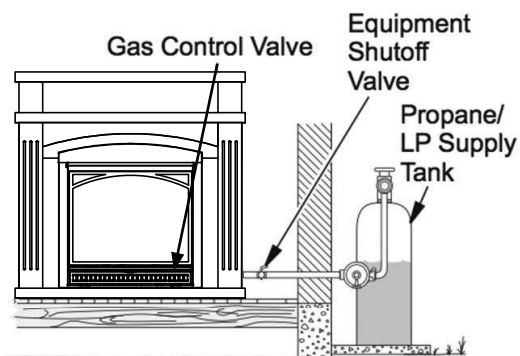
1. Close equipment shutoff valve (See Fig. 12).
2. Pressure supply piping system by either using compressed air or opening gas supply tank valve.
3. Check all joints from gas meter to equipment shutoff valve (See Fig.13). Apply mixture of liquid soap and water to gas joints. If bubbles form, there may be a leak.
4. Correct all leaks immediately.

#### Pressure Testing Heater Gas Connections

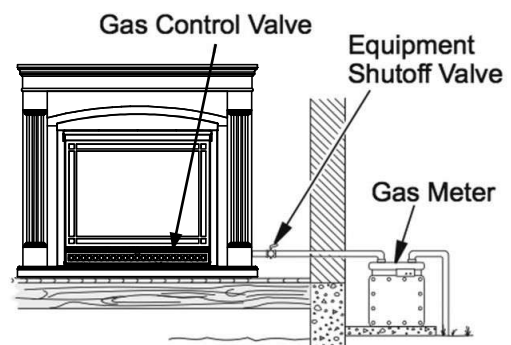
1. Open equipment shutoff valve (See Fig. 12).
2. Open gas supply tank valve.
3. Make sure control knob of heater is in the OFF position.
4. Check all joints from equipment shutoff valve to control valve (See Fig. 13). Apply mixture of liquid soap and water to gas joints. If bubbles form, there may be a leak.
5. Light heater (see Operation, page 26).  
Check all other internal joints for leaks.
6. Turn off heater (see "To Turn Off Gas to Appliance," page 27).



**Fig. 12 - Equipment Shutoff Valve**



**Fig. 13 - Checking Gas Joints  
(Propane/LP Only)**



**Fig. 14 - Checking Gas Joints  
(Natural Gas Only)**

## OPERATION

### FOR YOUR SAFETY; READ BEFORE LIGHTING



**WARNING:** If you do not follow these instructions exactly, a fire or explosion may result causing property damage, personal injury or loss of life.

A. This appliance has a pilot which must be lighted by the electronic ignitor. When lighting the pilot, follow these instructions exactly.

B. **BEFORE LIGHTING** smell all around the appliance area for gas. Be sure to smell next to the floor because some gas is heavier than air and will settle on the floor.



**WARNING:** Do not use a blower insert, heat exchanger insert or other accessory not approved for use with this heater.



### WHAT TO DO IF YOU SMELL GAS


- Do not try to light any appliance.
- Do not touch any electrical switch; do not use any phone in your building.
- Immediately call your gas supplier from a neighbor's phone. Follow the gas supplier's instructions.
- If you cannot reach your gas supplier, call the fire department.


C. Use only your hand to push in or turn the gas control knob. Never use tools. If the knob will not push in or turn by hand, don't try to repair it, call a qualified service technician. Forced or attempted repair may result in fire or explosion.

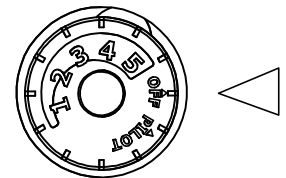
D. Do not use this appliance if any part has been under water. Immediately call a qualified service technician to inspect the appliance and to replace any part of the control system and any gas control which has been under water.

### LIGHTING INSTRUCTIONS

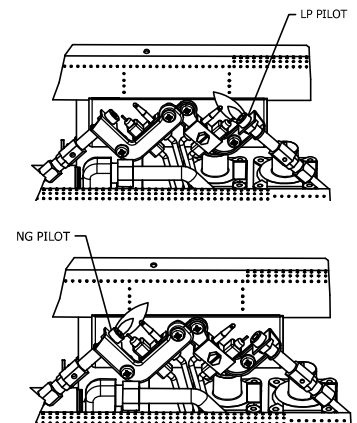
1. STOP! Read the safety information as noted above.
2. Open the lower access panel located below the fireplace screen.
3. Turn control knob clockwise  to the "OFF" position (See Fig. 15).
4. Wait five (5) minutes to clear out any gas. Then smell for gas, including near the floor. If you smell gas, STOP! Follow "B" in the safety information as noted above. If you don't smell gas, go to the next step.
5. Turn control knob counterclockwise  to the "PILOT" position (See Fig. 16). Depress control knob.
6. With control knob depressed, push down on the ignitor button until the pilot lights. The pilot is located behind the fireplace screen, centered near the rear of the burner.
7. Keep control knob depressed for (30) seconds after pilot lights. Release control knob.

- If the control knob does not pop up when released, stop and immediately call a qualified service technician or gas supplier.
- If pilot goes out repeat steps 3 through 7. Wait (1) minute before attempting to light pilot again. If after several tries the pilot still goes out, turn the gas control knob clockwise  to the "OFF" position and call a qualified service technician.

8. Turn control knob counterclockwise  to desired setting.
9. Close lower access panel.




**Fig. 15 - Control Knob**



**Fig. 16 - Pilot**

## OPERATION

### TO TURN OFF GAS TO APPLIANCE

1. Open the lower access panel located under the fireplace screen.
2. Turn control knob clockwise to the "OFF" position.
3. Close lower access panel. 

### INSPECTING BURNERS

Check pilot flame pattern and burner flame patterns often.

#### PILOT FLAME PATTERN

Figure 20 shows a correct pilot flame pattern. Figure 21 shows an incorrect pilot flame pattern. The incorrect pilot flame is not touching the thermocouple. This will cause the thermocouple to cool. When the thermocouple cools, the fireplace will shut down.

If pilot flame pattern is incorrect, as shown in Figure 21.

- Turn fireplace off (see To Turn Off Gas to Appliance, page 27).
- See Troubleshooting, page 37.

Note: The pilot flame on natural gas units will have a slight curve, but flame should be blue and have no yellow or orange color.

Fig. 20 - Correct Pilot Flame Pattern

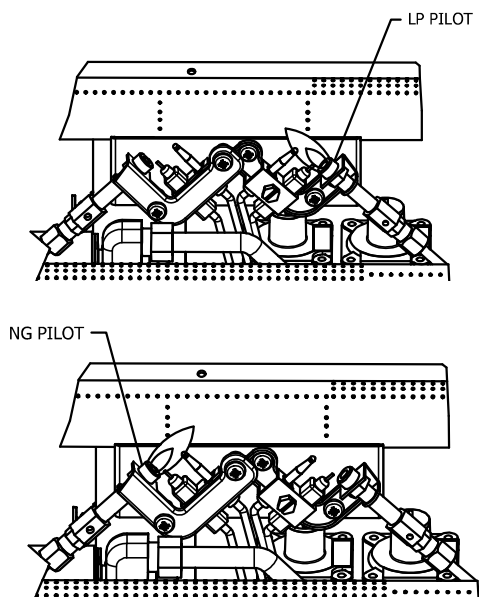
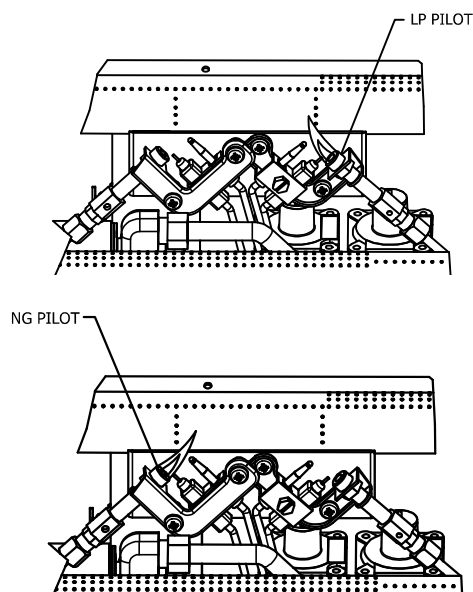


Fig. 21 - Incorrect Pilot Flame Pattern



**⚠ WARNING:** If yellow tipping occurs, your heater could produce increased levels of carbon monoxide. If burner flame pattern shows yellow tipping, follow instructions at bottom of this page.

**⚠ WARNING:** Do not allow fans to blow directly into the fireplace. Avoid any drafts that alter burner flame patterns.

**⚠ WARNING:** Do not use a blower insert, heat exchanger insert or other accessory not approved for use with this heater.

**Notice:** Do not mistake orange flames with yellow tipping. Dirt or other fine particles enter the heater and burn causing brief patches of orange flame.

## CARE AND MAINTENANCE

---

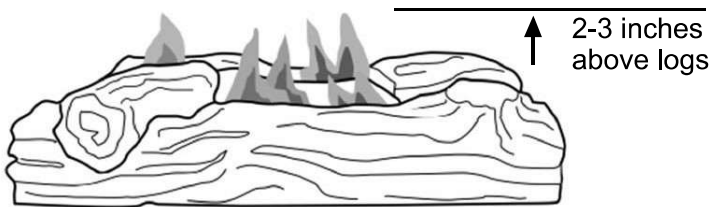
### BURNER FLAME PATTERN

Figure 22 shows a correct burner flame pattern. Figure 23 shows an incorrect burner flame pattern. The incorrect burner flame pattern shows sporadic, irregular flame tipping. The flame should not be dark or have an orange/reddish tinge.

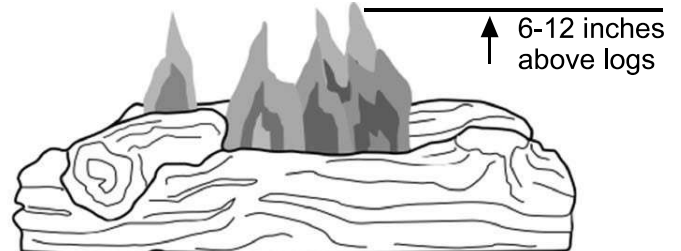
Note: When using the fireplace the first time, the flame will be orange for approximately one hour until the log cures.

If burner flame pattern is incorrect, as shown in Figure 23

- turn fireplace off (see To Turn Off Gas to Appliance, page 27).
- see Troubleshooting, page 37.



**Fig. 22 - Correct Burner Flame Pattern**



**Fig. 23 - Incorrect Burner Flame Pattern**

**⚠ WARNING:** Turn off heater and let cool before servicing.

**⚠ CAUTION:** You must keep control areas, burner, and circulating air passageways of heater clean. Inspect these areas of heater before each use. Have heater inspected yearly by a qualified service person. Heater may need more frequent cleaning due to excessive lint from carpeting, bedding material, pet hair, etc.

**⚠ WARNING:** Failure to keep the primary air opening(s) of the burner(s) clean may result in sooting and property damage.

### BURNER ORIFICE HOLDER AND PILOT AIR INLET HOLE

The primary air inlet holes allow the proper amount of air to mix with the gas. This provides a clean burning flame. Keep these holes clear of dust, dirt, lint and pet hair. Clean these air inlet holes prior to each heating season. Blocked air holes will create soot. We recommend that you clean the unit every three months during operation and have fireplace inspected yearly by a qualified service person.

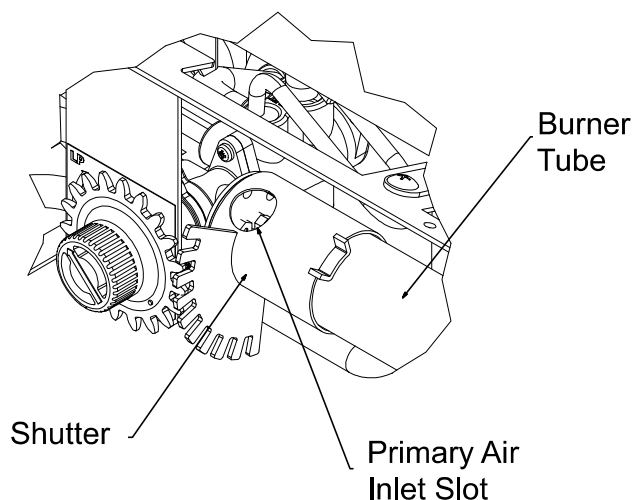
We also recommend that you keep the burner tube and pilot assembly clean and free of dust and dirt. To clean these parts we recommend using compressed air no greater than 30 PSI. Your local computer store, hardware store or home center may carry compressed air in a can. If using compressed air in a can, please follow the directions on the can. If you don't follow directions on the can, you could damage the pilot assembly.

## CARE AND MAINTENANCE

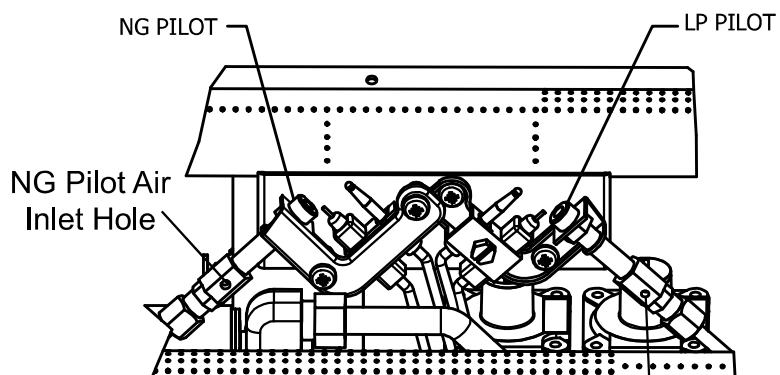
---

1. Shut off unit including pilot. Allow unit to cool for at least 30 minutes.
2. Inspect burner, pilot and primary air inlet holes on orifice holder for dust and dirt (See Fig. 24).
3. Blow air through the ports/slots and holes in the burner.
4. Check the orifice holder located at the end of the burner tube again. Remove any large particles of dust, dirt, lint or pet hair with a soft cloth or vacuum cleaner nozzle.
5. Blow air into the primary air holes on the orifice holder.
6. In case any large clumps of dust have now been pushed into the burner repeat steps 3 and 4. Clean the pilot assembly also. A yellow tip on the pilot flame indicates dust and dirt in the pilot assembly. There is a small pilot air inlet hole about 2" from where the pilot flame comes out of the pilot assembly (see Figure 25 depending on model). With the unit off, lightly blow air through the air inlet hole. You may blow through a drinking straw if compressed air is not available.

*\*We recommend that you clean the unit every three months during operation and have fireplace inspected yearly by a qualified service person. Failure to keep the primary air opening(s) of the burner(s) clean may result in sooting and property damage.*



**Fig. 24 - Primary Air Inlet Slot on Burner Tube**



**Fig. 25 - Pilot Inlet Air Hole**

LP Pilot Air Inlet Hole

### LOG SET

- If you remove the log set for cleaning, refer to pages 23 & 24, for placement instructions.
- Replace log set if broken or chipped (dime sized or larger).

### CABINET

#### Air Passageways

Use a vacuum cleaner or pressurized air to clean.

#### Exterior

Use a soft cloth dampened with a mild soap and water mixture. Wipe the cabinet to remove dust.

## TROUBLESHOOTING

**⚠ WARNING:** If you smell gas:

- Shut off gas supply.
- Do not try to light any appliance.
- Do not touch any electrical switch; do not use any phone in your building.
- Immediately call your gas supplier from a neighbor's phone. Follow the gas supplier's instructions.
- If you cannot reach your gas supplier, call the fire department.

**IMPORTANT:** Operating heater where impurities in air exist may create odors. Cleaning supplies, paint, paint remover, cigarette smoke, cements and glues, new carpet or textiles, etc., create fumes. These fumes may mix with combustion air and create odors.

**⚠ WARNING:** Make sure that power is turned off before proceeding.

**⚠ WARNING:** Turn off and let cool before servicing. Only a qualified service person should service and repair heater.

**⚠ CAUTION:** Never use a wire, needle, or similar object to clean ODS/pilot. This can damage ODS/ pilot unit.

### SERVICE HINTS

#### When Gas Pressure Is Too Low

- Pilot will not stay lit.
- Burners will have delayed ignition.
- Fireplace will not produce specified heat.
- For propane/LP units, propane/LP gas supply may be low.  
You may feel your gas pressure is too low. If so, contact your local natural or propane/LP gas supplier.

PROBLEM	POSSIBLE CAUSE	CORRECTIVE ACTION
When ignitor button is pressed in, there is no spark at ODS/ pilot.	<ol style="list-style-type: none"> <li>1. Ignitor electrode is positioned wrong.</li> <li>2. Ignitor electrode is broken.</li> <li>3. Ignitor electrode is not connected to ignitor cable.</li> <li>4. Ignitor cable is pinched or wet.</li> <li>5. Damaged ignitor cable.</li> <li>6. Bad push button ignitor.</li> </ol>	<ol style="list-style-type: none"> <li>1. Replace electrode.</li> <li>2. Replace electrode.</li> <li>3. Replace ignitor cable.</li> <li>4. Free ignitor cable if pinched by any metal or tubing. Keep ignitor cable dry.</li> <li>5. Replace ignitor cable.</li> <li>6. Replace push button ignitor.</li> </ol>
When ignitor button is pressed in, there is a spark at ODS/ pilot but no ignition.	<ol style="list-style-type: none"> <li>1. Gas supply is turned off or equipment shutoff valve is closed.</li> <li>2. Control knob not fully pressed in while pressing ignitor button.</li> <li>3. Air in gas lines when installed.</li> <li>4. ODS / pilot is clogged.</li> <li>5. Gas regulator setting is not correct.</li> <li>6. Control knob not in PILOT position.</li> <li>7. Depleted gas supply (propane).</li> </ol>	<ol style="list-style-type: none"> <li>1. Turn on gas supply or open equipment shutoff valve.</li> <li>2. Fully press in control knob while pressing ignitor button.</li> <li>3. Continue holding down control knob. Repeat igniting operation until air is removed.</li> <li>4. Clean ODS/pilot (see Care and Maintenance, page 35) or replace ODS/pilot assembly.</li> <li>5. Replace gas regulator.</li> <li>6. Turn control knob to PILOT position.</li> <li>7. Contact local propane/LP gas company.</li> </ol>

## TROUBLESHOOTING

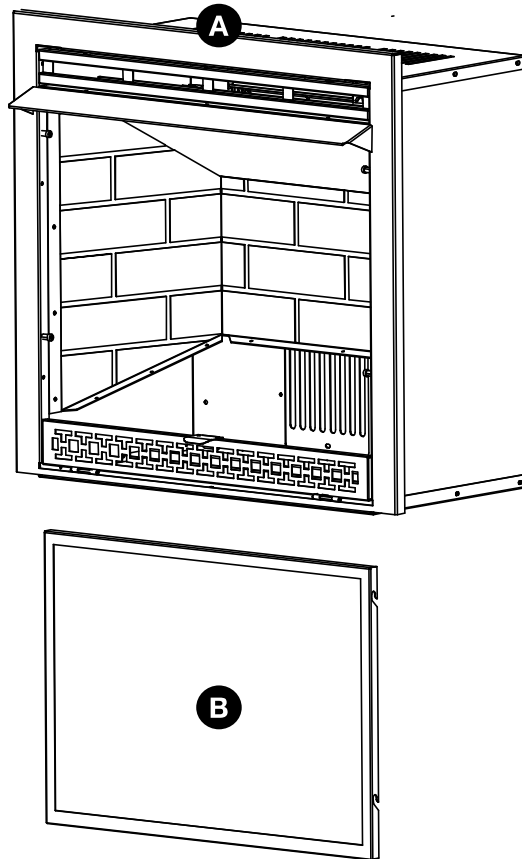
PROBLEM	POSSIBLE CAUSE	CORRECTIVE ACTION
ODS/pilot lights but flame goes out when control knob is released.	<ol style="list-style-type: none"> <li>1. Control knob is not fully pressed in.</li> <li>2. Control knob is not pressed in long enough.</li> <li>3. Equipment shutoff valve is not fully open.</li> <li>4. Thermocouple connection is loose.</li> <li>5. Thermocouple damaged.</li> <li>6. Control valve damaged.</li> </ol>	<ol style="list-style-type: none"> <li>1. Press in control knob fully.</li> <li>2. After ODS/pilot lights, keep control knob pressed in 30 seconds.</li> <li>3. Fully open equipment shutoff valve.</li> <li>4. Hand tighten until snug, and then tighten ¼ turn more.</li> <li>5. Replace thermocouple.</li> <li>6. Contact customer service.</li> </ol>
Burner(s) does not light after ODS/pilot is lit.	<ol style="list-style-type: none"> <li>1. Burner orifice is clogged.</li> <li>2. Burner orifice diameter is too small.</li> <li>3. Inlet gas pressure is too low.</li> </ol>	<ol style="list-style-type: none"> <li>1. Clean burner orifice (see Care and Maintenance, page 35) or contact customer service.</li> <li>2. Contact customer service.</li> <li>3. Contact your gas supplier.</li> </ol>
Delayed ignition of burner(s).	<ol style="list-style-type: none"> <li>1. Manifold pressure is too low.</li> <li>2. Burner orifice is clogged.</li> </ol>	<ol style="list-style-type: none"> <li>1. Contact your gas supplier.</li> <li>2. Clean burner (see Care and Maintenance, page 35) or contact customer service.</li> </ol>
Burner backfiring during combustion.	<ol style="list-style-type: none"> <li>1. Burner orifice is clogged or damaged.</li> <li>2. Burner is damaged.</li> <li>3. Gas regulator is damaged.</li> </ol>	<ol style="list-style-type: none"> <li>1. Clean burner orifice (see Care and Maintenance, page 35) or contact customer service.</li> <li>2. Contact dealer or customer service.</li> <li>3. Replace gas regulator.</li> </ol>
High yellow flame during burner combustion.	<ol style="list-style-type: none"> <li>1. Not enough air.</li> <li>2. Gas regulator is defective.</li> <li>3. Inlet gas pressure is too low.</li> </ol>	<ol style="list-style-type: none"> <li>1. Check burner for dirt and debris. If found, clean burner (see Care and Maintenance, page 35).</li> <li>2. Replace gas regulator.</li> <li>3. Contact your gas supplier.</li> </ol>
Gas odor during combustion.	<ol style="list-style-type: none"> <li>1. Foreign matter between control valve and burner.</li> <li>2. Gas leak. (See Warning Statement at top of page 26).</li> </ol>	<ol style="list-style-type: none"> <li>1. Take apart gas tubing and remove foreign matter.</li> <li>2. Locate and correct all leaks (see "Checking Gas Connections," page 25).</li> </ol>
Heater produces a clicking/ticking noise just after burner is lit or shut off.	<ol style="list-style-type: none"> <li>1. Metal is expanding while heating or contracting while cooling.</li> </ol>	<ol style="list-style-type: none"> <li>1. This is common with most heaters. If noise is excessive, contact qualified service technician.</li> </ol>

## TROUBLESHOOTING

PROBLEM	POSSIBLE CAUSE	CORRECTIVE ACTION
White powder residue forming within burner box or on adjacent walls or furniture.	1. When heated, the vapors from furniture polish, wax, carpet cleaners, etc., turn into white powder residue.	1. Turn heater off when using furniture polish, wax, carpet cleaner or similar products.
Heater produces unwanted odors.	1. Heater is burning vapors from paint, hair spray, glues, etc. See IMPORTANT statement, page 26. 2. Gas leak. See Warning Statement, page 26. 3. Low fuel supply.	1. Ventilate room. Stop using odor causing products while heater is running. 2. Locate and correct all leaks (see "Checking Gas Connections," page 25). 3. Refill supply tank (Propane /LP models).
Heater shuts off in use (ODS operates).	1. Not enough fresh air is available. 2. Low line pressure. 3. ODS/pilot is partially clogged.	1. Open window and/or door for ventilation. 2. Contact local gas supplier. 3. Clean ODS/pilot (see Care and Maintenance, page 35).
Gas odor exists even when control knob is in OFF position.	1. Gas leak. See Warning Statement at top of page 26. 2. Control valve is defective.	1. Locate and correct all leaks (see "Checking Gas Connections", page 25). 2. Contact customer service.
Moisture/condensation noticed on windows.	1. Not enough combustion/ventilation air.	1. Refer to "Air for Combustion and Ventilation" requirements, page 10-12.
Slight smoke or odor during initial operation.	1. Residues from manufacturing process.	1. Problem will stop after a few hours of operation.
Heater produces a whistling noise when burner is lit.	1. Turning control knob to high (5) position when burner is cold. 2. Air in gas line.  3. Air passageways on heater are blocked. 4. Dirty or partially clogged burner orifice.	1. Turn control knob to low (1) position and let warm up for a minute. 2. Operate burner until air is removed from line. Have gas line checked by local propane/LP gas company. 3. Observe minimum installation clearances (Fig. 6, page 14). 4. Clean burner (see Care and Maintenance, page 35) or contact customer service.

## REPLACEMENT PARTS

For replacement parts, call our customer service department at 1-877-447-4768, 8:30 a.m. – 4:30 p.m., CST, Monday – Friday. You could also contact us at customerservice@ghpgroupinc.com.

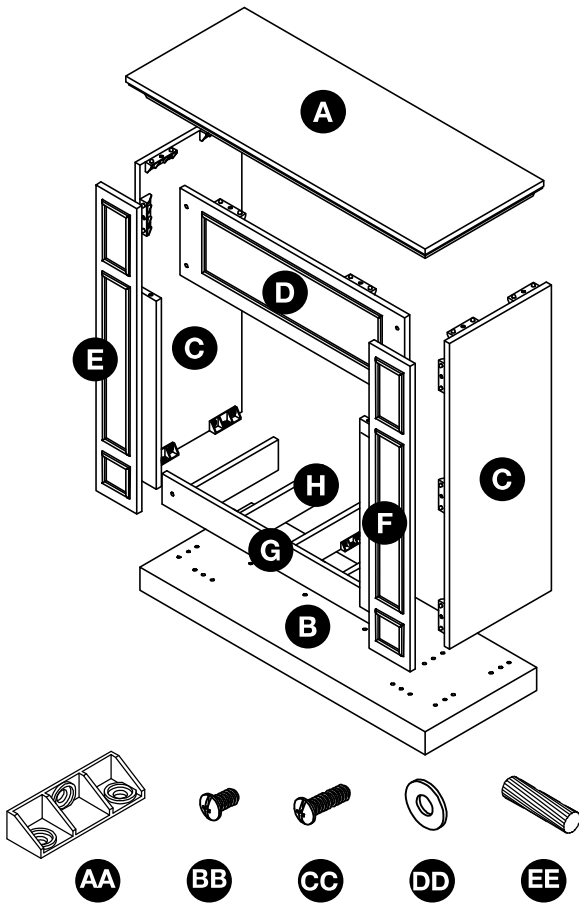


ITEM No.	DESCRIPTION	QTY	PART NUMBER
A	Firebox	1	80-01-233
B	Screen	1	80-01-234

## PRODUCT IDENTIFICATION

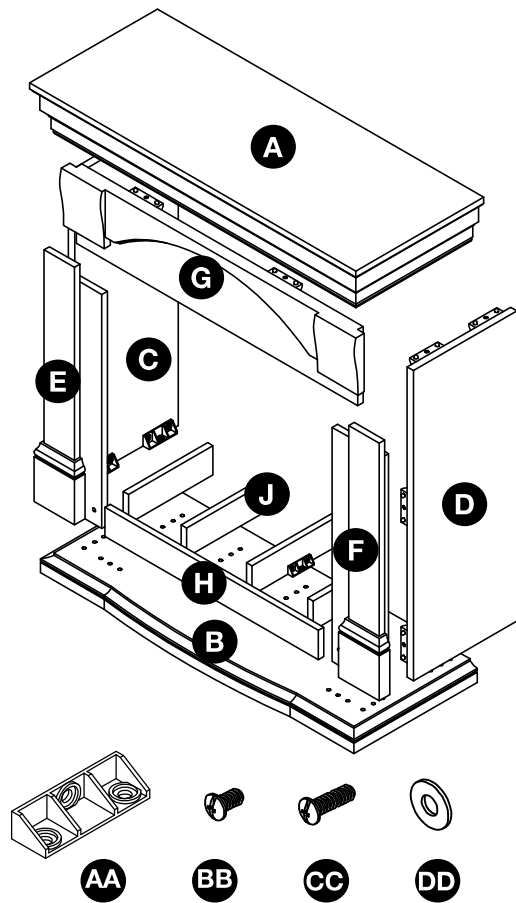
For replacement parts, call our customer service department at 1-877-447-4768, 8:30 a.m. – 4:30 p.m., CST, Monday – Friday. You could also contact us at customerservice@ghpgroupinc.com.

### VFF3-26PHDX



PART	DESCRIPTION	QTY	PART #
A	Top Panel	1	80-01-243
B	Base	1	80-01-244
C	Side Panel	2	80-01-245
D	Upper Front Panel	1	80-01-246
E	Left Front Panel	1	80-01-247
F	Right Front Panel	1	80-01-248
G	Platform Panel	1	80-01-249
H	Support Panel	4	80-01-250
AA	Connector	22	80-06-443
BB	Short Bolt	66	80-06-444
CC	Long Bolt	6	80-06-445
DD	Washer	6	80-06-446
EE	Dowel	4	80-01-260

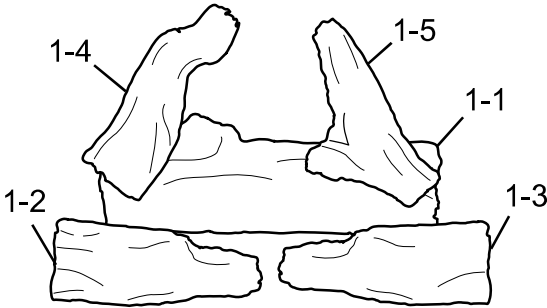
### VFF3-26PHDZ



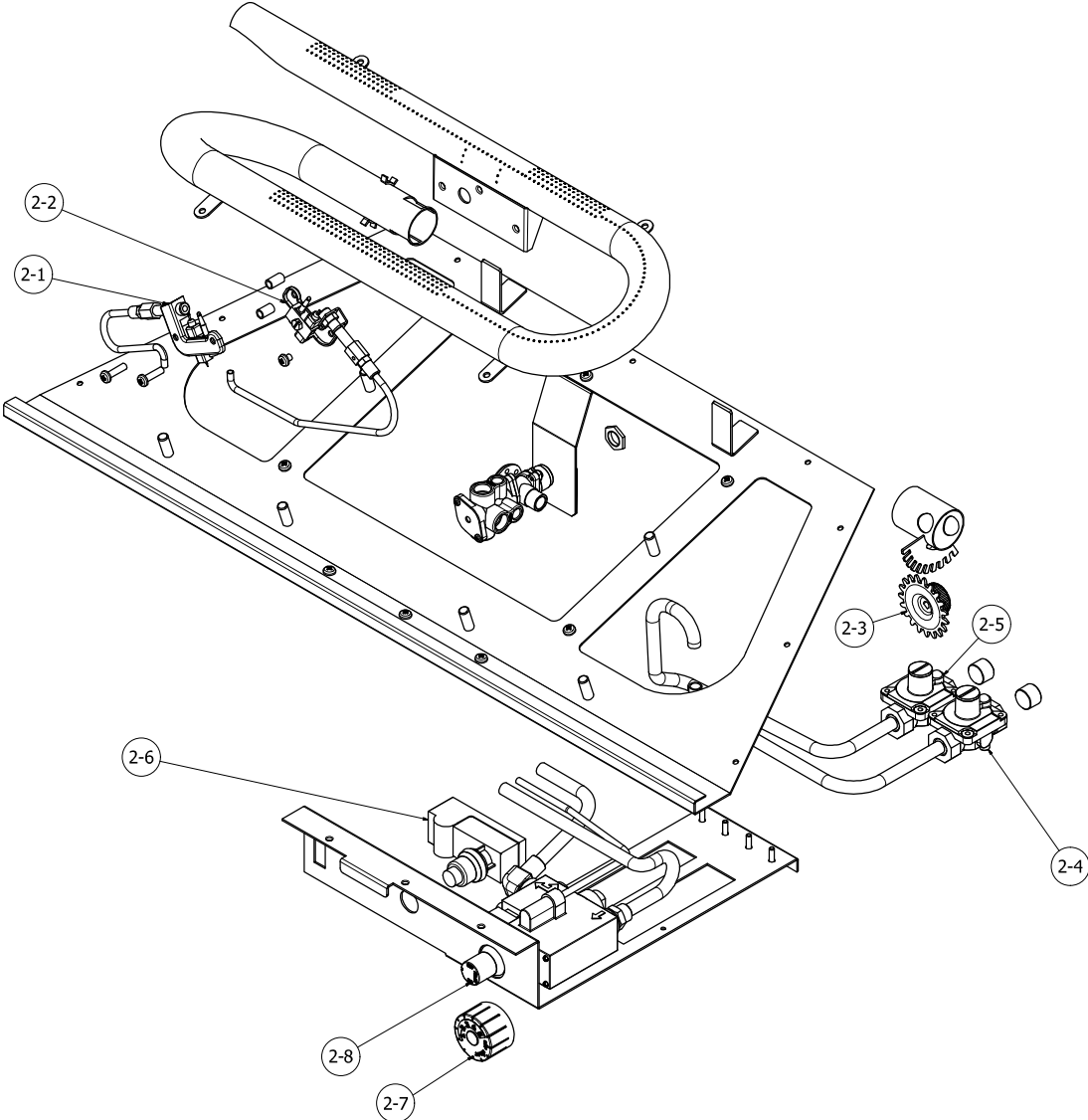
PART	DESCRIPTION	QTY	PART #
A	Top Panel	1	80-01-251
B	Base	1	80-01-252
C	Left Side Panel	1	80-01-253
D	Right Side Panel	1	80-01-253
E	Left Front Panel	1	80-01-254
F	Right Front Panel	1	80-01-255
G	Upper Front Panel	1	80-01-256
H	Platform Panel	1	80-01-257
J	Support Panel	4	80-01-258
AA	Connector	22	80-06-443
BB	Short Bolt	66	80-06-444
CC	Long Bolt	2	80-06-445
DD	Washer	2	80-06-446

**REPLACEMENT PARTS LIST**

For replacement parts, call our customer service department at 1-877-447-4768, 8:30 a.m. – 4:30 p.m., CST, Monday – Friday. You could also contact us at [customerservice@ghpgroupinc.com](mailto:customerservice@ghpgroupinc.com).



**VFF3-26PHDX, VFF3-26PHDZ**



## REPLACEMENT PARTS LIST

---

ITEM No.	DESCRIPTION	QTY	PART NUMBER VFF3-PH26(DX,DZ)
1	Log Set (Complete)	1	700-S1018
1-1	Log 1	1	700-S1018-01
1-2	Log 2	1	700-S1018-02
1-3	Log 3	1	700-S1018-03
1-4	Log 4	1	700-S1018-04
1-5	Log 5	1	700-S1018-05
2	Burner Assembly (Complete)	1	700-S2000
2-1	ODS Pilot - NG	1	GZ20-30B
2-2	ODS Pilot - LP	1	GZ20-29B
2-3	Selector Knob	1	GZ20-17
2-4	Regulator, (NG) Natural Gas 5" W.C.	1	GR-130B2-GHP
2-5	Regulator, (LP) Liquid Propane 10" W.C.	1	GR-130A2-GHP
2-6	Ignitor Module	1	GZ20-32a
2-7	Control Valve, EUROSIT 360	1	0630560
2-8	Control Valve	1	N/A

## ACCESSORIES

---

**NOTICE:** All accessories may not be available for all fireplace models.

**THERMOSTAT-CONTROLLED BLOWER KIT - GFB100** For all models. Provides better heat distribution. Makes fireplace more efficient. Automatically turns off and on as needed.

## **WARRANTY**

---

### **LIMITED WARRANTY**

This limited warranty is extended to the original retail purchaser of this heater and warrants against any defect in materials and workmanship for a period of two (2) years from the date of retail sale. GHP Group, Inc., at its option, will either provide replacement parts or replace or repair the unit, when properly returned to the retailer where purchased or one of our service centers as directed by GHP Group, Inc., within two (2) years of retail purchase. (Shipping costs, labor costs, etc. are the responsibility of the purchaser.)

### **DUTIES OF THE OWNER**

This heating appliance must be operated in accordance with the written instructions furnished with this heater. This warranty shall not excuse the owner from properly maintaining this heater in accordance with the written instructions furnished with this heater. A bill of sale, cancelled check or payment record must be kept to verify purchase date and establish warranty period. Original carton should be kept in case of warranty return of unit.

### **WHAT IS NOT COVERED**

1. Damage resulting from use of improper fuel.
2. Damage caused by misuse or use contrary to the owners manual and safety guidelines.
3. Damage caused by a lack of normal maintenance.
4. Use of non-standard parts or accessories.
5. Damage caused in transit. Freight charges on warranty parts or heaters to and from the factory shall be the responsibility of the owner.

This warranty does not imply or assume any responsibility for consequential damages that may result from the use, misuse, or the lack of routine maintenance of this heating appliance. A cleaning fee and the cost of parts may be charged for appliance failures resulting from lack of maintenance. This warranty does not cover claims which do not involve defective workmanship or materials. **FAILURE TO PERFORM GENERAL MAINTENANCE (INCLUDING CLEANING) WILL VOID THIS WARRANTY.**

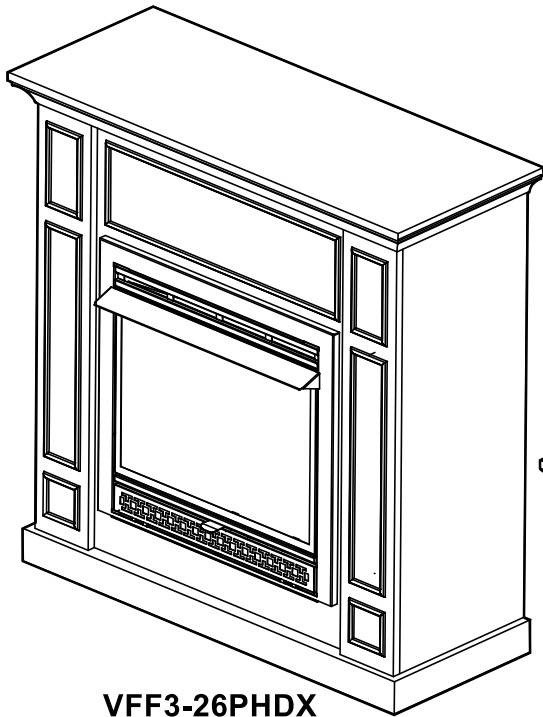
**THIS LIMITED WARRANTY IS GIVEN TO THE PURCHASER IN LIEU OF ALL OTHER WARRANTIES, EXPRESSED OR IMPLIED, INCLUDING BUT NOT LIMITED TO THE WARRANTIES OF MERCHANTABILITY OF FITNESS FOR A PARTICULAR PURPOSE. THE REMEDY PROVIDED IN THIS WARRANTY IS EXCLUSIVE AND IS GRANTED IN LIEU OF ALL OTHER REMEDIES. IN NO EVENT WILL GHP GROUP, INC. BE LIABLE FOR INCIDENTAL OR CONSEQUENTIAL DAMAGES**

Some states do not allow limitations on how long an implied warranty lasts, so the above limitations may not apply to you. Some states do not allow the exclusion or limitation of incidental or consequential damages so the above limitation or exclusion may not apply to you.

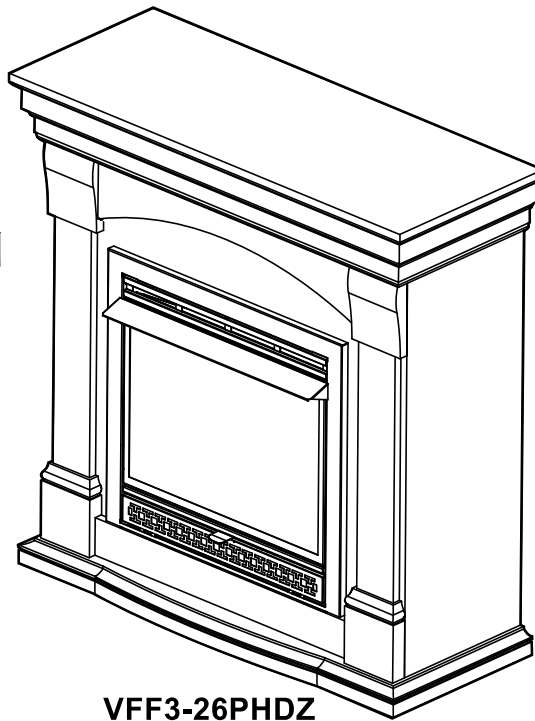
*Pleasant Hearth*<sup>®</sup>

**CHIMENEA A GAS  
DE TIRO NATURAL  
DE DOBLE COMBUSTIBLE**

MODELO # VFF3-26PHDX  
VFF3-26PHDZ



**VFF3-26PHDX**



**VFF3-26PHDZ**

Sistema de  
combustible doble  
con patente en  
trámite



Doble  
combustible



US

ANS Z21.11.2 2019

**INSTALADOR: deje este manual junto al electrodoméstico.  
CONSUMIDOR: conserve este manual para referencia futura.**



**ADVERTENCIA:** este electrodoméstico está equipado para funcionar con gas (natural y propano). No se permiten conversiones que no sean a gas natural o gas propano.



**¿Preguntas, problemas, piezas faltantes?** Antes de regresar a su distribuidor, llame a nuestro departamento de servicio al cliente al 1-877-447-4768, de 8:30 a. m. a 4:30 p. m., hora estándar del este, de lunes a domingo. También puede contactarnos en [customerservice@ghpgroupinc.com](mailto:customerservice@ghpgroupinc.com).



## **PRECAUCIÓN: PARA SU SEGURIDAD**



**ADVERTENCIA: SI NO SE SIGUE CON PRECISIÓN LA INFORMACIÓN DE ESTE MANUAL, SE PODRÍA PRODUCIR INCENDIOS O EXPLOSIONES QUE RESULTEN EN DAÑOS MATERIALES, LESIONES PERSONALES O LA MUERTE.**

- No almacene ni utilice gasolina ni otros vapores o líquidos inflamables cerca de este o cualquier otro electrodoméstico.

### **QUÉ HACER SI HUELE A GAS**

- No trate de encender ningún electrodoméstico.
- No toque ningún interruptor eléctrico ni utilice ningún teléfono en el edificio.
- Desde el teléfono de un vecino, llame inmediatamente a su proveedor de gas. Siga las instrucciones del proveedor de gas.
- Si no puede comunicarse con su proveedor de gas, llame al departamento de bomberos.
- La instalación y la reparación deben estar a cargo de personal calificado, una empresa de servicio o el proveedor de gas.

Este calentador es de combustión a gas y no posee ventilación. Utiliza el aire (oxígeno) de la habitación donde está instalado. Se deben tomar las precauciones necesarias para una adecuada combustión y ventilación del aire. Consulte la sección Aire para la combustión y ventilación en las páginas 10 a 12 de este manual.

Este electrodoméstico puede instalarse en una casa (móvil) de mercado secundario fabricada para una ubicación permanente, siempre que lo permitan las regulaciones locales. Este electrodoméstico solo debe usarse con propano o gas natural. Este electrodoméstico está equipado con un método simple de cambiar entre propano y gas natural. La conversión en el lugar de uso mediante otros métodos, lo que incluye el uso de un kit, está prohibido.



**ADVERTENCIA:** cualquier pantalla o protector de seguridad que se haya retirado del electrodoméstico para tareas de mantenimiento se debe volver a colocar antes de ponerlo en funcionamiento.



**ADVERTENCIA:** si instala este electrodoméstico directamente sobre alfombra, baldosa u otro material combustible, a excepción de piso de madera, debe colocarlo sobre un panel metálico o de madera que cubra su profundidad y ancho completos.



**ADVERTENCIA:** no intente acceder o cambiar la configuración de los medios de selección de combustible.

El acceso y ajuste de los medios de selección de combustible solo debe estar a cargo de una persona de servicio calificada en el momento de conectar este electrodoméstico a un suministro de combustible especificado durante la instalación.

El cambio de la configuración del selector a un tipo de combustible diferente al especificado en el momento de la instalación podría dañar este electrodoméstico y dejarlo inoperable. El instalador deberá volver a colocar la cubierta de acceso antes de completar la instalación y operar este electrodoméstico.

## ÍNDICE

---

Especificaciones.....	3
Información importante de seguridad.....	4
Identificación del producto.....	6
Características del producto.....	8
Desembalaje.....	8
Ensamblaje.....	9
Preparación para la instalación.....	10
Instalación y ensamblaje del soplador.....	13
Funcionamiento.....	28
Cuidado y mantenimiento.....	30
Resolución de problemas.....	32
Piezas de repuesto.....	35
Garantía.....	39

**⚠ ADVERTENCIA:** lea estas instrucciones de instalación y funcionamiento antes de utilizar el electrodoméstico.

**IMPORTANTE:** lea con atención todas las instrucciones y advertencias antes de comenzar la instalación. Si no se siguen las instrucciones, se pueden provocar posibles lesiones personales o un riesgo de incendio, lo que anulará la garantía.

Modelo	VFF3-26PH(DX,DZ)	
Índice de entrada	26.000 BTU/h	
Índice de entrada mínimo	20.000 BTU/h	14.000 BTU/h
Tipo de gas	PL	GN
Presión del tubo múltiple	24,88 milibares	12,44 milibares
Presión de entrada máx.	34,83 milibares	34,83 milibares
Presión de entrada mín.	27,37 milibares	14,93 milibares

### CONSEJOS DE SERVICIO

#### Cuando la presión del gas es demasiado baja:

- El piloto no permanece encendido.
- Los quemadores tendrán un encendido retardado.
- La chimenea no producirá el calor especificado.
- Para unidades de propano/PL, el suministro para servicio de gas propano/PL puede ser bajo.

Es posible que sienta que la presión del gas es demasiado baja. Si es así, comuníquese con su proveedor local de gas natural o propano/PL.



## INFORMACIÓN IMPORTANTE DE SEGURIDAD


### **ADVERTENCIA: PELIGRO DE INCENDIO, EXPLOSIÓN Y ASFIXIA**

Si se efectúa de forma inadecuada un ajuste, una alteración, un servicio, un mantenimiento o una instalación de este calentador o sus controles, se puede causar la muerte o lesiones graves.

Lea y siga las instrucciones y precauciones en el Manual de información del usuario proporcionado con este calentador.

**IMPORTANTE:** lea este manual del usuario con atención y en su totalidad antes de intentar ensamblar, poner en funcionamiento o reparar este calentador. El uso indebido de este calentador puede provocar lesiones graves o la muerte por quemaduras, incendio, explosión, descarga eléctrica y envenenamiento por monóxido de carbono.

La instalación y reparación de este producto deben estar a cargo solo de personal calificado para la instalación, una empresa de servicio o el proveedor de gas local.

 **ADVERTENCIA:** no almacene ni utilice gasolina y otros vapores o líquidos inflamables cerca de este o cualquier otro electrodoméstico.



**ADVERTENCIA: este electrodoméstico se puede usar con gas propano o gas natural. Se envía de fábrica configurado para usarse con propano.**

**ENVENENAMIENTO POR MONÓXIDO DE CARBONO:** los primeros síntomas del envenenamiento por monóxido de carbono se asemejan a los de la gripe, con dolores de cabeza, mareos o náuseas. Si usted presenta estos síntomas, es posible que el calentador no funcione correctamente. Tome aire fresco de inmediato. Haga reparar el calentador. Algunas personas se ven más afectadas que otras por el monóxido de carbono. Entre ellas se encuentran mujeres embarazadas, personas con enfermedades cardíacas o respiratorias, personas anémicas, personas que se encuentran bajo los efectos del alcohol y personas que viven en alturas elevadas.

**GAS NATURAL Y PROPANO/PL:** los gases natural y propano/PL son inodoros. Se le agrega un agente que produce olor al gas. El olor ayuda a detectar cualquier fuga. Sin embargo, el agente que produce olor puede desvanecerse. Puede haber gas aunque no haya olor. Asegúrese de leer y comprender todas las advertencias. Guarde este manual para referencia futura. Aquí encontrará las instrucciones para utilizar el calentador de forma segura.



**ADVERTENCIA:** cualquier modificación a la chimenea o sus controles puede ser peligrosa.



**ADVERTENCIA:** no utilice ningún accesorio que no esté aprobado para su uso con este calentador.



**ADVERTENCIA: vigile atentamente a los niños cuando se encuentren en la habitación donde está el calentador.**



**ADVERTENCIA:** el calentador alcanza temperaturas muy altas cuando está en funcionamiento.

Mantenga a los niños y a los adultos lejos de las superficies calientes para evitar quemaduras o que la ropa se encienda. El calentador estará caliente durante un tiempo después de su apagado. Deje que las superficies se enfríen antes de tocarlas.



**ADVERTENCIA:** no debe haber materiales combustibles, gasolina y otros vapores o líquidos inflamables cerca del aparato.



**ADVERTENCIA:** debido a las altas temperaturas, coloque el aparato fuera de las zonas de circulación y lejos de muebles y cortinas.



**ADVERTENCIA:** no coloque ropa ni otro material inflamable sobre o cerca del artefacto. Nunca coloque objetos en el calentador.

### **ADVERTENCIA**

Este producto y los combustibles utilizados para su funcionamiento (propano o gas natural), y los productos de la combustión de dichos combustibles, pueden exponerlo a químicos, incluido el benceno, que el estado de California reconoce como causante de cáncer, anomalías congénitas y otros daños reproductivos.

**Para obtener más información, visite [www.p65Warnings.ca.gov](http://www.p65Warnings.ca.gov)**



## INFORMACIÓN DE SEGURIDAD

---

1. Este electrodoméstico está diseñado para su uso solo con el tipo de gas indicado en la placa de clasificación. No se puede convertir para uso con otros tipos de gases.
2. No ubique el tanque de suministro de propano/PL en el interior de ninguna estructura. Ubique el tanque de suministro de propano/PL en el exterior.
3. Si huele gas:
  - Cierre el suministro para servicio de gas.
  - No intente encender ningún electrodoméstico.
  - No toque ningún interruptor eléctrico ni utilice ningún teléfono en el edificio.
  - Desde el teléfono de un vecino, llame inmediatamente a su proveedor de gas. Siga las instrucciones del proveedor de gas.
  - Si no puede comunicarse con su proveedor de gas, llame al departamento de bomberos.
4. No se debe instalar esta chimenea en el dormitorio ni en el baño.
5. No use esta chimenea como una chimenea para quemar madera. Solo use los leños que incluye la chimenea.
6. No agregue más leños ni ornamentos, como piñas, vermiculita o lana mineral. Estos artículos agregados facilitan la producción de hollín. No agregue roca de lava alrededor de la base. La roca y los desechos pueden caer en el área de control de la chimenea.
7. Esta chimenea está diseñada para no producir humo. Si pareciera que los leños producen humo, apague la chimenea y llame a un técnico calificado. Nota: durante el primer uso, es posible que haya un poco de humo debido al curado de los leños y a la combustión de los residuos de fabricación en la chimenea.
8. Para evitar que se produzca hollín, siga las instrucciones de Cuidado y mantenimiento, página 35.
9. Apague la chimenea antes de utilizar pulidor para muebles, cera, productos de limpieza para alfombras o productos similares. Si se calientan, los vapores de estos productos pueden producir un residuo en forma de polvo blanco dentro de la caja del quemador o en las paredes y muebles cercanos.
10. Esta chimenea necesita que la ventilación de aire fresco sea adecuada. La chimenea posee un sistema de apagado de seguridad por medio de un sensor de agotamiento de oxígeno (ODS, por sus siglas en inglés). El ODS apaga la chimenea si no hay suficiente cantidad de aire fresco. Consulte la sección Aire para la combustión y ventilación, páginas 10 a 12. Si la chimenea sigue apagándose, consulte la sección Solución de problemas, página 37.
11. No ponga en funcionamiento la chimenea:
  - En lugares donde se almacenen o utilicen vapores o líquidos inflamables.
  - En condiciones donde hay mucho polvo.
12. No utilice esta chimenea para cocinar alimentos o quemar papeles u otros objetos.
13. Nunca coloque objetos en la chimenea o en los leños.
14. No utilice la chimenea si alguna de sus piezas estuvo sumergida en agua. Llame de inmediato a un técnico calificado para que inspeccione la chimenea de habitación y reemplace cualquier pieza del sistema de control y cualquier control de gas que haya estado bajo agua.
15. Apague y desenchufe la chimenea y déjela enfriar antes de cualquier reparación. Solo un técnico calificado debe realizar el mantenimiento o reparar la chimenea.
16. El uso de la chimenea a alturas superiores a los 1371,6 metros puede hacer que se apague el piloto.
17. No opere la chimenea si el leño está roto. No use la chimenea si el leño está astillado (del tamaño de una moneda o más).
18. Para evitar problemas de funcionamiento, no utilice tanques de propano/PL con capacidad menor a 45,35 kg.
19. Proporcione espacios de separación adecuados alrededor de las aberturas de aire.

---

## AGENCIA DE INSTALACIÓN CALIFICADA

---

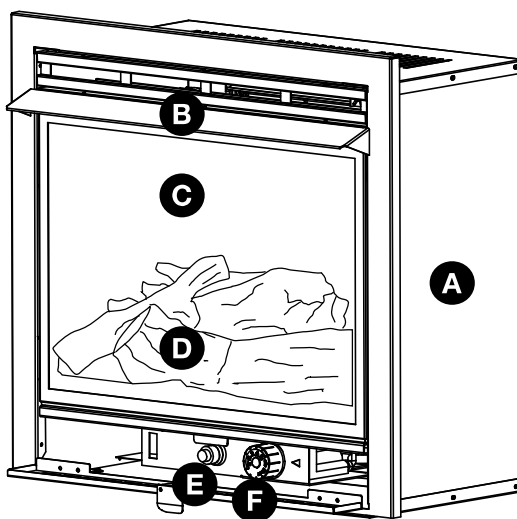
La instalación y el reemplazo de tuberías de gas, de equipos o de accesorios para la utilización de gas y la reparación y el mantenimiento de los equipos deben estar a cargo solo de una agencia calificada. El término "agencia calificada" significa cualquier persona, empresa, corporación o compañía que, en persona o por medio de un representante, sea responsable de:

- a) instalar, probar o reemplazar tuberías de gas o;
- b) conectar, instalar, probar, reparar o realizar mantenimiento de equipos; que tenga experiencia en este tipo de trabajos; que esté al tanto de todas las precauciones necesarias y que cumpla con todas las exigencias de las autoridades que tienen jurisdicción.

## IDENTIFICACIÓN DEL PRODUCTO

NOTA: la chimenea se instala en la repisa a través de la abertura frontal del gabinete de la repisa.

**⚠ ADVERTENCIA:** esta chimenea está diseñada para usarse con el gabinete de repisa provisto. Instalar el gabinete de la chimenea sin la repisa provista o sustituirla por otra repisa anulará la garantía y podría ocasionar daños materiales y lesiones personales.

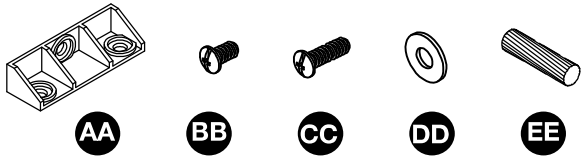
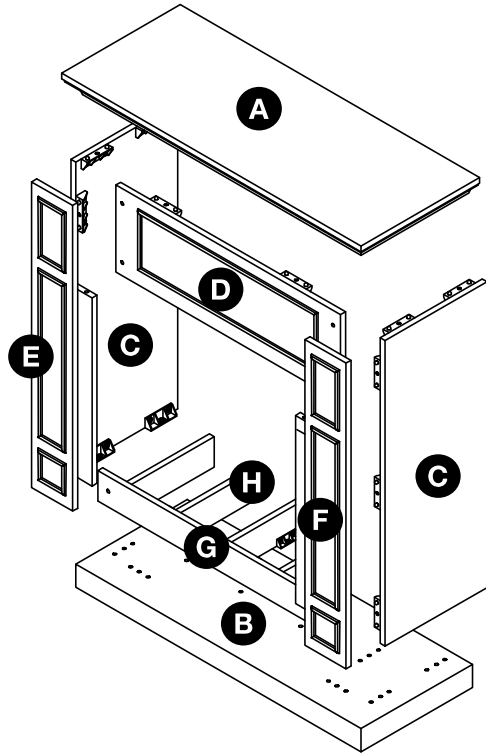


*Fig. 1: chimenea de tiro natural de doble combustible*

PIEZA	DESCRIPCIÓN	CANT.
A	Gabinete de la chimenea	1
B	Campana extractora	1
C	Pantalla	1
D	Leño	1
E	Botón de encendido	1
F	Perilla de control	1

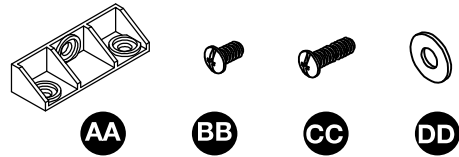
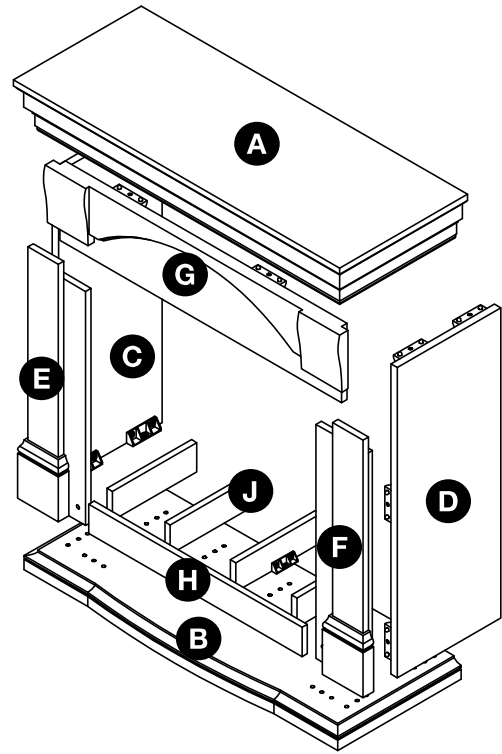
# IDENTIFICACIÓN DEL PRODUCTO

## VFF3-26PHDX



PIEZA	DESCRIPCIÓN	CANT.
A	Panel superior	1
B	Base	1
C	Panel latera	2
D	Panel frontal izquierdo	1
E	Panel frontal derecho	1
F	Panel frontal superior	1
G	Panel de plataforma	1
H	Panel de soporte	4
AA	Conector	22
BB	Perno corto	66
CC	Perno largo	6
DD	Arandela	6
EE	Taco de madera	4

## VFF3-26PHDZ



PIEZA	DESCRIPCIÓN	CANT.
A	Panel superior	1
B	Base	1
C	Panel lateral izquierdo	1
D	Panel lateral derecho	1
E	Panel frontal izquierdo	1
F	Panel frontal derecho	1
G	Panel frontal superior	1
H	Panel de plataforma	1
J	Panel de soporte	4
AA	Conector	22
BB	Perno corto	66
CC	Perno largo	2
DD	Arandela	2

## CARACTERÍSTICAS DEL PRODUCTO

---

### PILOTO DE SEGURIDAD

El calentador posee un piloto que cuenta con un sistema de apagado de seguridad por medio de un sensor de agotamiento de oxígeno (ODS, por sus siglas en inglés). El ODS/piloto apaga el calentador si no hay suficiente aire fresco y corta el gas hacia el quemador principal en caso de que se apague la llama.

### SISTEMA DE ENCENDIDO ELÉCTRICO CON BOTÓN PULSADOR

Este calentador está equipado con un sistema de control de botón electrónico. Este sistema requiere una batería AAA (incluida).

### CONTROL DE CALOR DEL TERMOSTATO

El control enciende y apaga automáticamente el quemador para mantener la temperatura ambiente deseada. Consulte la página 29.

### CAPACIDAD DE DOBLE COMBUSTIBLE

El calentador está diseñado para funcionar con gas propano o con gas natural. El calentador se envía de fábrica listo para conectarse a gas propano. Para cambiarlo fácilmente a gas natural, el instalador calificado debe seguir las instrucciones de la página 20 y las indicaciones que aparecen en el calentador.

### JUEGO DEL SOPLADOR (OPCIONAL)

El juego del soplador ayuda a distribuir el aire caliente dentro del espacio más rápidamente.

**Estado de Massachusetts: la instalación debe estar a cargo de un plomero o un gasista certificado por Commonwealth of Massachusetts. Los vendedores de calentadores a gas sin ventilación suplementarios de habitación deben proporcionar a cada comprador una copia del código 527 CMR 30 con la compra de la unidad.**  
**En el estado de Massachusetts, está prohibida la instalación de los calentadores a gas propano o natural sin ventilación en dormitorios y baños.**

**En el estado de Massachusetts, la válvula para gas debe ser tipo manija en T. El estado de Massachusetts exige que ningún conector flexible del electrodoméstico supere los 0,91 m de longitud.**

### CÓDIGOS LOCALES

Instale y utilice el calentador con precaución. Respete todos los códigos. Si no existen códigos locales, utilice la última edición del Código nacional de gas combustible, ANSI Z223.1, también conocido como NFPA 54\*.

\*Disponible en:

American National Standard Institute, Inc.  
1430 Broadway  
New York, NY 10018

National Fire Protection Association, Inc.  
1 Batterymarch Park  
Quincy, MA 02269-9101

Este calentador está diseñado para un funcionamiento de tiro natural. Los códigos locales y estatales de algunas áreas prohíben el uso de calentadores de tiro natural.

### DESEMBALAJE

1. Retire el gabinete de la chimenea y la repisa de madera de la caja. El juego de leños está envuelto y embalado dentro del gabinete de la chimenea.
2. Retire todo el embalaje de protección colocado en la chimenea para su envío.
3. Asegúrese de que la repisa de la chimenea incluya un paquete de aditamentos.
4. Verifique que no se hayan producido daños en la chimenea durante el transporte. Si la chimenea está dañada, llame a GHP Group, Inc. al 1-877-447-4768. No devuelva este producto a la tienda.

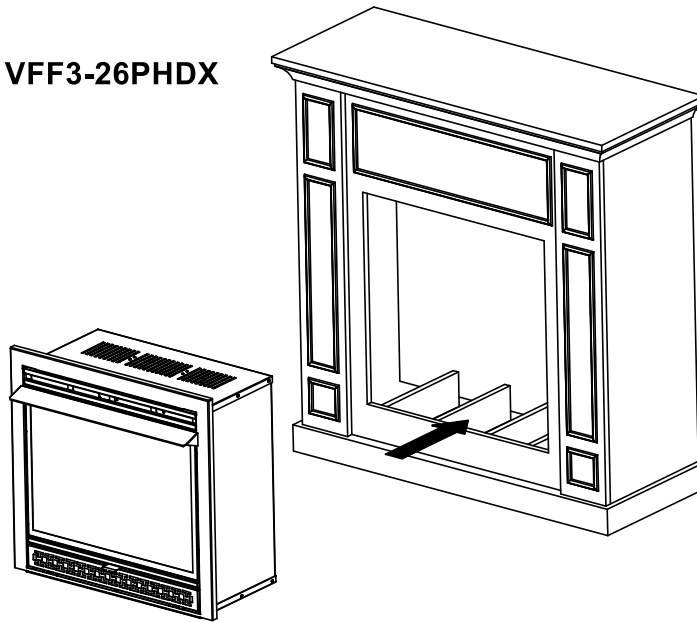
## ENSAMBLAJE

**⚠ ADVERTENCIA:** siempre tenga la pantalla en su lugar antes de operar la chimenea. Esto evita temperaturas excesivas en las superficies de la chimenea.

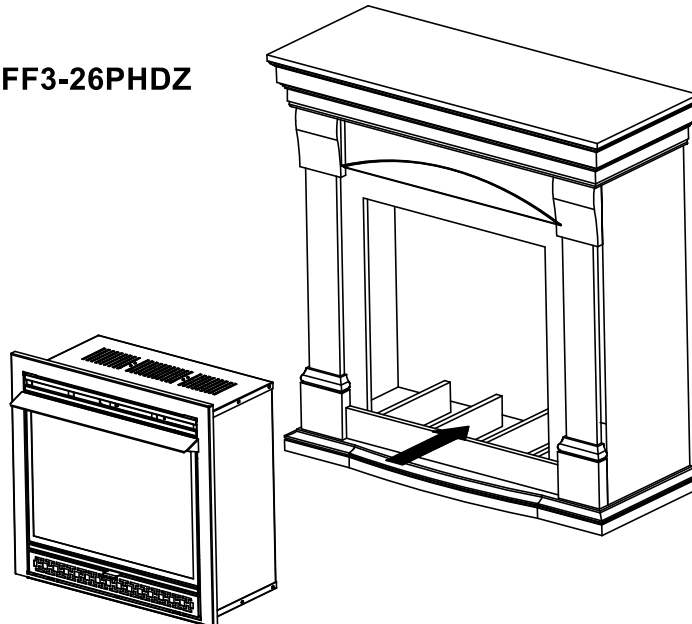
**⚠ ADVERTENCIA:** no colocar las piezas de acuerdo con estos diagramas o no usar solo las piezas aprobadas específicamente con esta chimenea puede ocasionar daños materiales o lesiones personales.

Levante cuidadosamente el accesorio por la abertura central de la parte delantera de la chimenea. Vuelva a insertar el accesorio por la abertura hasta que el reborde de metal haga contacto con la parte delantera de la repisa para chimenea.

**VFF3-26PHDX**



**VFF3-26PHDZ**



**Fig. 2: Insertar la caja de fuego**

## PREPARACIÓN PARA LA INSTALACIÓN

---

### AIRE PARA LA COMBUSTIÓN Y VENTILACIÓN

**!** **ADVERTENCIA:** no se debe instalar este calentador en una habitación o ambiente que no cuente con el volumen requerido de aire para combustión en el interior, según el método de cálculo establecido en *el Código nacional de gas combustible, ANSI Z223.1/NFPA 54, el Código internacional de gas combustible*, o los códigos locales correspondientes.

### CÓMO LOGRAR UNA VENTILACIÓN ADECUADA

Todo espacio de una casa tiene uno de estos tres tipos de clasificación de ventilación:

1. Construcción excepcionalmente hermética.
2. Espacio amplio.
3. Espacio reducido.

La información que se muestra a continuación lo ayudará a clasificar su espacio para proporcionar una ventilación adecuada.

#### Espacio amplio y espacio reducido

Un espacio reducido es aquel cuyo volumen es menor a 50 pies cúbicos por 1.000 BTU/hr (4,41 m<sup>3</sup> por kW) del nivel total de entrada de todos los aparatos instalados en ese espacio. También define un espacio amplio como aquel cuyo volumen es no inferior a 50 pies cúbicos por 1.000 BTU/hr (4,41 m<sup>3</sup> por kW) del nivel total de entrada de todos los aparatos instalados en ese espacio. Las habitaciones que se conectan directamente con el espacio donde están instalados los electrodomésticos\*, a través de aberturas sin puertas, se consideran parte del espacio amplio.

No se debe instalar este calentador en un espacio reducido o excepcionalmente hermético a menos que se tomen las precauciones necesarias para lograr una combustión y ventilación del aire adecuadas.

\* Los cuartos contiguos se consideran conectados solo si existen aberturas sin puerta o rejillas de ventilación entre ellos.

#### Construcción excepcionalmente hermética

El aire que logra filtrarse por puertas y ventanas puede proporcionar suficiente aire fresco para la combustión y la ventilación de aire. Sin embargo, en edificaciones de construcción excepcionalmente hermética debe proporcionar aire fresco adicional.

Una construcción excepcionalmente hermética es aquella que:

- a) posee paredes y techos expuestos a la atmósfera del exterior con un retardador de vapor de agua continuo con una clasificación de una permeabilidad ( $6 \times 10^{-11}$  kg por pa-seg-m<sup>2</sup>) o menor con aberturas con juntas selladas y
- b) posee burletes en las ventanas que se pueden abrir y en las puertas, y
- c) se le ha aplicado masilla de calafateo o sellador a áreas como las juntas alrededor de las ventanas y los marcos para puertas, entre los largueros de solera y el piso, en las juntas de pared y techo, entre los paneles, en los orificios de las líneas de plomería, eléctricas y de gas, y en otras aberturas.

Si su casa cumple con todas las condiciones mencionadas, debe proporcionar aire fresco adicional. Consulte la sección "Aire de ventilación del exterior" (página 12). Si su casa no cumple con las tres condiciones mencionadas, su siguiente paso será la "Determinación del flujo de aire fresco para la ubicación del calentador":

## PREPARACIÓN PARA LA INSTALACIÓN

---

### DETERMINACIÓN DEL FLUJO DE AIRE FRESCO PARA LA UBICACIÓN DEL CALENTADOR

#### Cómo determinar si posee un espacio reducido o un espacio amplio

Utilice esta hoja de trabajo para determinar si posee un espacio reducido o un espacio amplio.

**Espacio:** incluye la habitación donde instalará el calentador más cualquier habitación contigua con abertura sin puerta o con rejillas de ventilación entre las habitaciones.

1. Calcule el volumen del espacio con la fórmula Largo  $\times$  Ancho  $\times$  Alto = m<sup>3</sup> (volumen del espacio)  
Ejemplo: tamaño del espacio: 6,09 m (largo)  $\times$  4,87 m (ancho)  $\times$  2,43 m (altura del techo) = 72,49 m<sup>3</sup> (volumen del espacio). Si hay ventilación adicional para las habitaciones contiguas, como rejillas o aberturas, agregue el volumen de estas habitaciones al volumen total del espacio.
2. Divida el volumen del espacio por 1,41 m<sup>3</sup> para determinar la capacidad máxima de BTU/h del espacio. \_\_\_\_\_ (volumen del espacio)  $\div$  1,41 m<sup>3</sup> = (capacidad máxima de BTU/h del espacio)  
Ejemplo: 72,49 m<sup>3</sup> (volumen del espacio)  $\div$  1,41 m<sup>3</sup> = 51,41 o 51.200 (capacidad máxima de BTU/h del espacio)
3. Sume el total de BTU/h de todos los aparatos de combustión del espacio.  
Calentador de tiro natural \_\_\_\_\_ BTU/h  
Calentador de agua a gas\* \_\_\_\_\_ BTU/h  
Caldera a gas \_\_\_\_\_ BTU/h  
Calentador a gas con ventilación \_\_\_\_\_ BTU/h Ejemplo:  
Calentador a gas con leños \_\_\_\_\_ BTU/h  
Calentador de agua a gas 30.000 BTU/h  
Otros electrodomésticos a gas\*+ \_\_\_\_\_ BTU/h Calentador de tiro natural + 26.000 BTU/h  
Total = \_\_\_\_ BTU/h Total = 56.000 BTU/h

\*No incluye electrodomésticos a gas con ventilación directa. La ventilación directa transporta aire para la combustión desde el exterior y desde los conductos de ventilación.

4. Compare la capacidad máxima de BTU/h del espacio con la cantidad real de BTU/h que se utiliza.  
\_\_\_\_\_ BTU/hr (capacidad máxima del espacio)  
\_\_\_\_\_ BTU/hr (cantidad real de BTU/hr que se utiliza).  
Ejemplo: 51.200 BTU/hr (capacidad máxima de BTU/hr del espacio) BTU/hr (cantidad real de BTU/hr que se utiliza)

El espacio del ejemplo anterior es un espacio reducido ya que la cantidad real de BTU/h que se utiliza es superior a la capacidad máxima de BTU/h del espacio.

Debe proporcionar aire fresco adicional. Sus opciones son las siguientes:

- a) Reelaborar la hoja de trabajo, agregando el espacio de una habitación contigua. Si el espacio adicional hace que el espacio pueda considerarse amplio, retire la puerta de la habitación contigua o coloque rejillas de ventilación entre las habitaciones. Consulte "Aire de ventilación del interior del edificio", página 12.
- b) Ventile la habitación directamente hacia el exterior. Consulte la sección "Aire de ventilación del exterior", página 12.
- c) Instale un calentador de menor BTU/h si esto hace que el espacio pase a ser amplio. Si la cantidad real de BTU/hr que se utiliza es menor que la capacidad máxima de BTU/hr del espacio, el espacio es amplio. No necesitará ventilación de aire fresco adicional.

## PREPARACIÓN PARA LA INSTALACIÓN

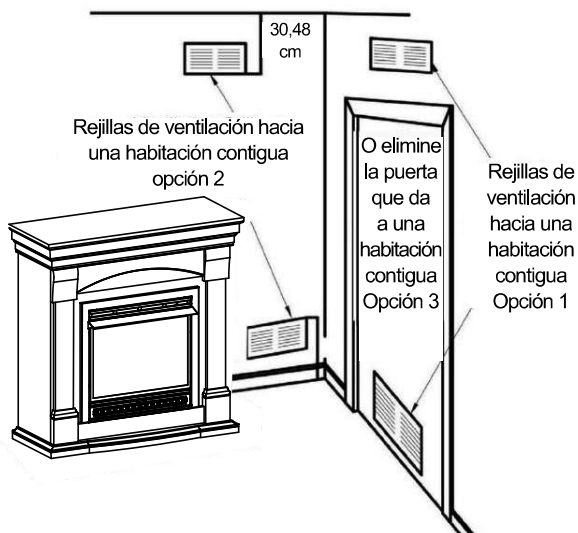
### Aire de ventilación del interior del edificio

Este aire fresco proviene de espacios amplios contiguos. Al ventilar hacia un espacio amplio contiguo, debe proporcionar dos aberturas permanentes: una a no más de 30,48 cm de la pared que conecte los dos espacios (consulte las opciones 1 y 2, figura 4). También puede eliminar la puerta que da a una habitación contigua (consulte la opción 3, Fig. 4). Siga el Código nacional de gas combustible NFPA 54/ANS Z223.1. Consulte la sección Aire para la combustión y ventilación para conocer el tamaño requerido de los conductos o las rejillas de ventilación.

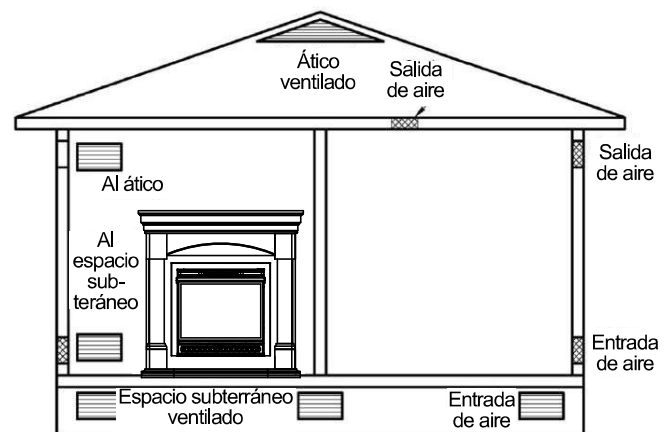
### Aire de ventilación del exterior

Proporcione aire fresco adicional por medio de rejillas o conductos de ventilación. Debe proporcionar dos aberturas permanentes: una a 30,48 cm del techo y una a menos de 30,48 cm del piso. Conecte las aberturas directamente al exterior o espacios abiertos al exterior. Estos espacios incluyen áticos y espacios debajo del piso. Siga el Código nacional de gas combustible NFPA 54/ANS Z223.1. Consulte la sección Aire para la combustión y ventilación para conocer el tamaño requerido de los conductos o las rejillas de ventilación.

**IMPORTANTE:** no coloque aberturas para entrada ni salida de aire hacia el ático si este posee ventilación eléctrica controlada por un termostato. Al ingresar en el ático, el aire caliente activará la ventilación eléctrica. Vuelva a realizar los cálculos, pero esta vez agregue el espacio contiguo. Los espacios combinados deben proporcionar suficiente aire fresco a todos los aparatos de ambos espacios.



**Fig. 4: aire de ventilación del interior del edificio**



**Fig. 5: aire de ventilación del exterior**

## INSTALACIÓN

---

- ⚠ AVISO:** este calentador está diseñado para su uso como calefacción suplementaria. Utilice este calentador junto con su sistema de calefacción principal. No instale este calentador como fuente principal de calefacción.
- ⚠ ADVERTENCIA:** un técnico calificado debe realizar la instalación. Respete todos los códigos locales.
- ⚠ ADVERTENCIA:** nunca instale el calefactor:
  - En un dormitorio o baño.
  - En un vehículo recreativo.
  - En lugares donde haya cortinas, muebles, telas u otros objetos inflamables a menos de 106,68 cm del frente, de la parte superior o de los lados del calefactor.
  - En áreas muy transitadas.
  - En áreas con viento o corrientes de aire.
- ⚠ ADVERTENCIA:** respete las distancias de separación mínimas. Si puede, proporcione distancias mayores con respecto al piso, al techo y a las paredes contiguas que las requeridas.

**PRECAUCIÓN:** este calentador crea corrientes de aire caliente. Estas corrientes llevan el calor a las superficies de las paredes cercanas al calentador. La instalación del calentador cerca de revestimientos de pared de vinilo o tela o el uso del calentador donde haya impurezas en el aire (como humo de tabaco, velas aromáticas, líquidos de limpieza, lámparas a aceite o queroseno, entre otros) puede decolorar las paredes.

**IMPORTANTE:** los calentadores de tiro natural agregan humedad al aire. Aunque esto es beneficioso, instalar el calentador en habitaciones sin la ventilación suficiente puede hacer que se forme moho debido al exceso de humedad. Consulte la sección "Aire para la combustión y ventilación", páginas 10 a 12.

### VERIFIQUE EL TIPO DE GAS

Asegúrese de que el suministro de gas sea el adecuado para el calentador.

### DISTANCIAS DE SEPARACIÓN CON COMBUSTIBLES

Siga cuidadosamente las siguientes instrucciones. Este calentador está diseñado para colocarse directamente sobre la base de la repisa para chimenea.

**IMPORTANTE:** mantenga las distancias de separación mínimas que aparecen en la Figura 6 de la página 14. Si es posible, deje distancias mayores con respecto al piso, techo y a las paredes contiguas.

## INSTALACIÓN

### DISTANCIAS DE SEPARACIÓN DE LA CHIMENEA

**⚠ PRECAUCIÓN:** si instala la chimenea en el garaje de una casa:

- El piloto y el quemador de la chimenea deben estar al menos a 45,72 cm sobre el piso.
- Coloque la chimenea donde un vehículo en movimiento no la golpee.

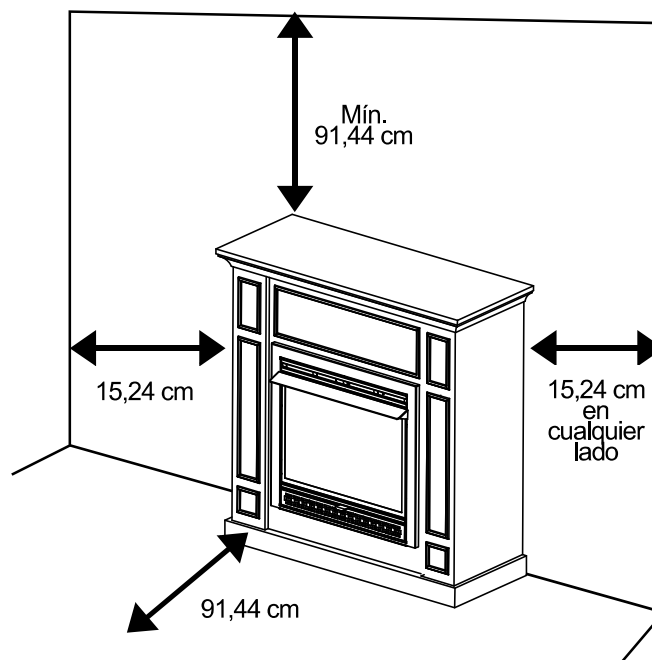
Para mayor comodidad y eficiencia, instale la chimenea:

- Donde haya fácil acceso para su operación, revisión y mantenimiento.
- En el lugar más frío de la habitación.
- Si instala este electrodoméstico directamente sobre alfombra, baldosa u otro material combustible, a excepción de piso de madera, debe colocarlo sobre un panel metálico o de madera que cubra su profundidad y ancho completos.

#### Distancias de separación mínimas para material combustible lateral, pared lateral y techo

A. Las distancias de separación desde el lateral del gabinete de la chimenea hasta cualquier material combustible y pared deben seguir el diagrama de la Figura 6.

B. Las distancias de separación desde la parte superior de la abertura de la chimenea hasta el techo no deben ser inferiores a los 91,44 cm.



**Fig. 6: distancia de separación mínima con materiales combustibles**

- Esta cámara de combustión solo se debe usar con la repisa para chimenea provista.

## ENSAMBLAJE DEL SOPLADOR (OPCIONAL)

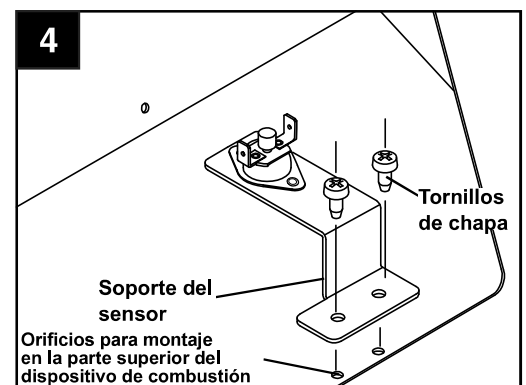
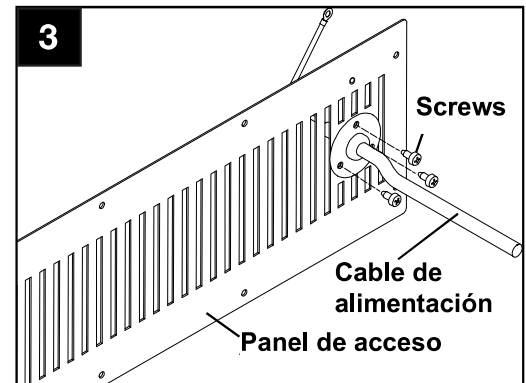
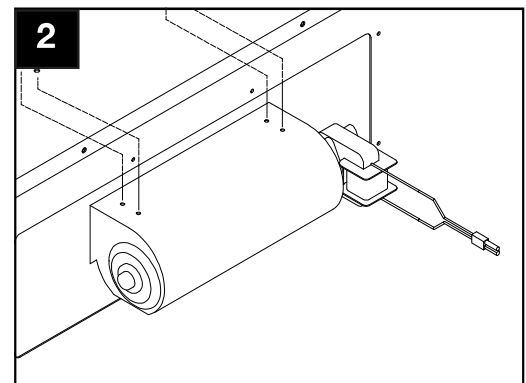
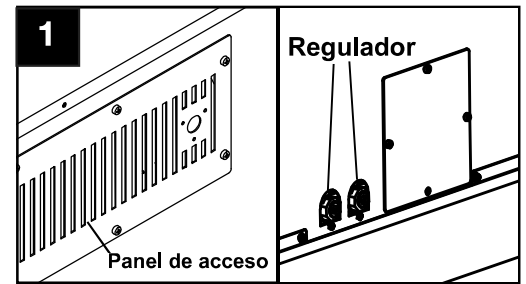
**⚠ ADVERTENCIA:** Este soplador opcional está equipado con un enchufe de tres clavijas (conexión a tierra) para su protección contra el riesgo de descarga eléctrica, y debe enchufarse directamente a un receptáculo de tres clavijas correctamente conectado a tierra.

Este soplador está disponible en línea o en su tienda minorista local. **Se vende por separado.** La cámara de combustión debe desconectarse del suministro de gas y extraerse de la repisa antes de instalar el accesorio del ventilador. Para hacerlo, póngase en contacto con una persona de servicio calificada.

NOTA: Instale el soplador antes de colocar la cámara de combustión en la repisa de la chimenea. Recomendamos instalar el soplador PRIMERO. Si NO va a instalar un soplador, pase a la página 20.

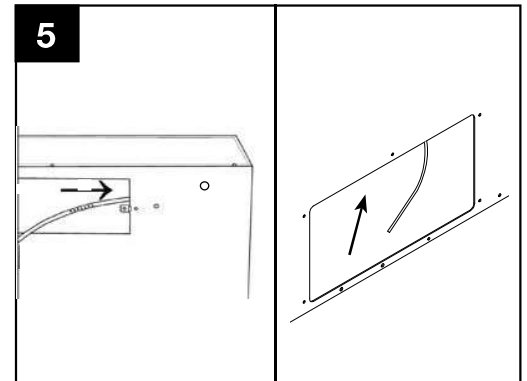
## ENSAMBLAJE DEL SOPLADOR (OPCIONAL)

1. Retire el panel de acceso superior y el panel inferior del soplador.
2. Instale el soplador (B) en la parte inferior de la parte superior de la chimenea con 4 tornillos (F).
3. Prerosque los 3 tornillos del cable de alimentación. Conecte el cable de alimentación (A) al panel de acceso del soplador.
4. Fije el sensor de temperatura (C) a la parte superior del dispositivo de combustión con 2 tornillos de chapa.

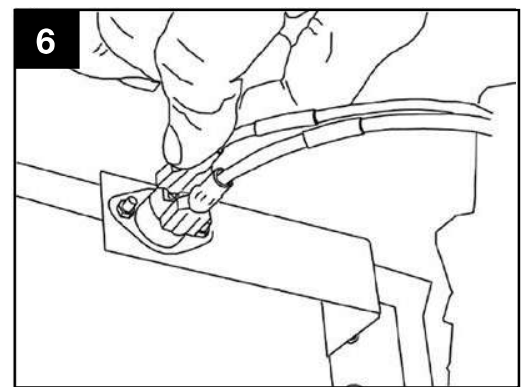


## ENSAMBLAJE DEL SOPLADOR (OPCIONAL)

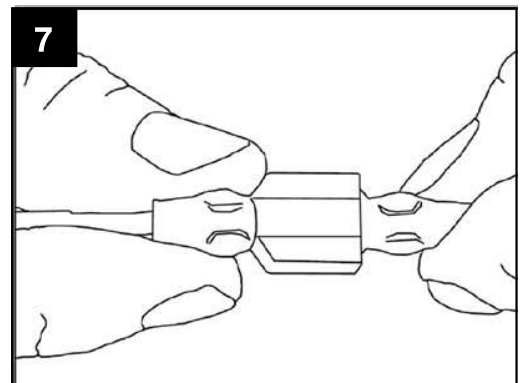
5. Importante: Inserte los cables marcados con AUTO, OFF (APAGADO) y MAN en la línea ranurada en la esquina derecha. Mantenga los cables cerca de la parte inferior y guíelos hacia la parte frontal utilizando el acceso inferior.



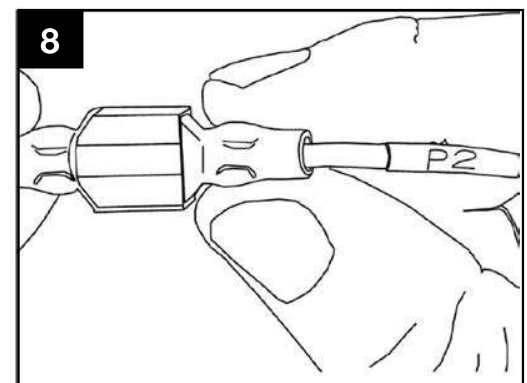
6. Inserte los dos cables del enchufe hembra marcados con T1 y T2 (negro y amarillo) en los dos puertos macho en el sensor de temperatura.



7. Inserte el cable blanco del enchufe hembra de la fuente de alimentación (marcado con P1), en el puerto macho correspondiente (marcado con P1).

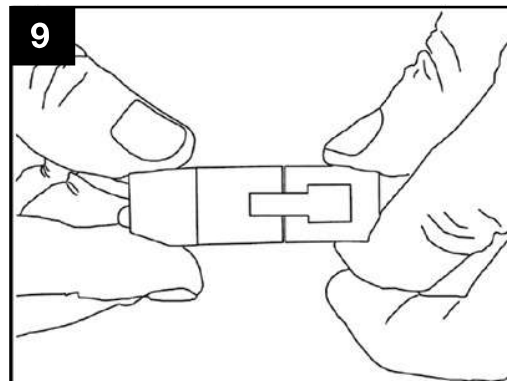


8. Inserte el enchufe hembra (marcado con P2) en el puerto macho correspondiente, que se encuentra en el cable de fuente de alimentación negro (marcado con P2).

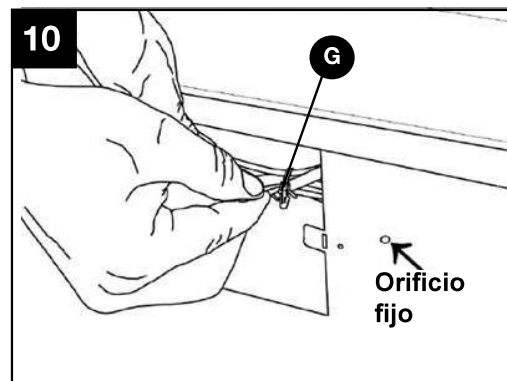


## ENSAMBLAJE DEL SOPLADOR (OPCIONAL)

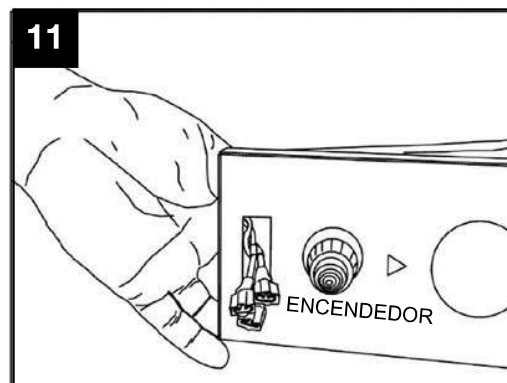
9. Inserte la conexión del soplador (enchufe macho) en la conexión de alimentación (puerto hembra).



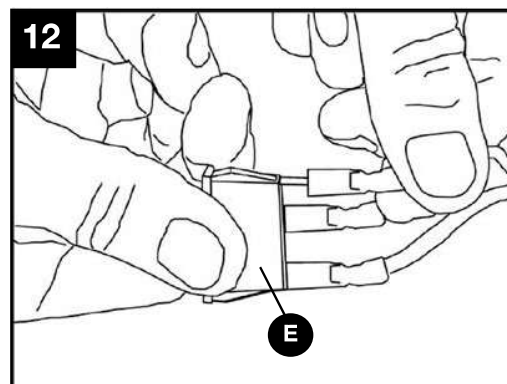
10. **Importante:** Ate los cables con la brida (G) y fije el lado de la brida (G) a la carcasa exterior. Haga lo mismo con los cables a través del panel de acceso inferior. Evite que los cables obstruyan el soplador.



11. Inserte los cables AUTO, OFF (APAGADO), MAN a través de la abertura del interruptor basculante.

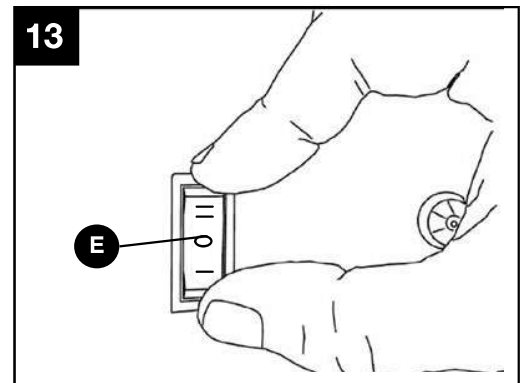


12. Conecte los cables AUTO, OFF, MAN a los tres puertos machos correspondientes en el interruptor basculante (E). Haga coincidir el cable "Auto" con el símbolo "—" y el cable "Man" con el símbolo "≡" en el interruptor basculante (E).

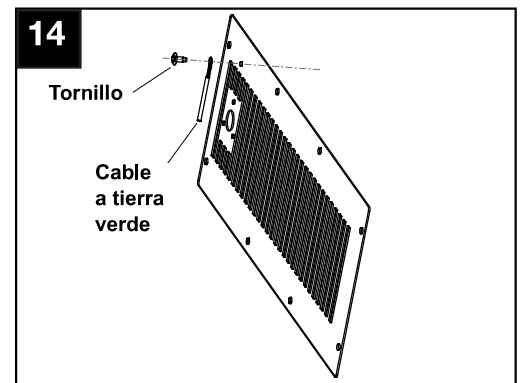


## ENSAMBLAJE DEL SOPLADOR (OPCIONAL)

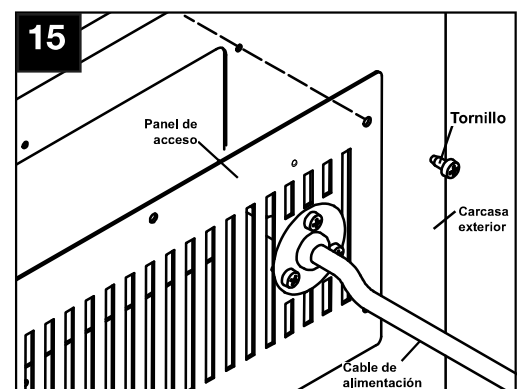
13. Presione el interruptor basculante (E) para fijarlo en el panel de control y asegúrelo.



14. Asegure el cable a tierra verde al orificio del tornillo de conexión a tierra desde el interior con el tornillo.

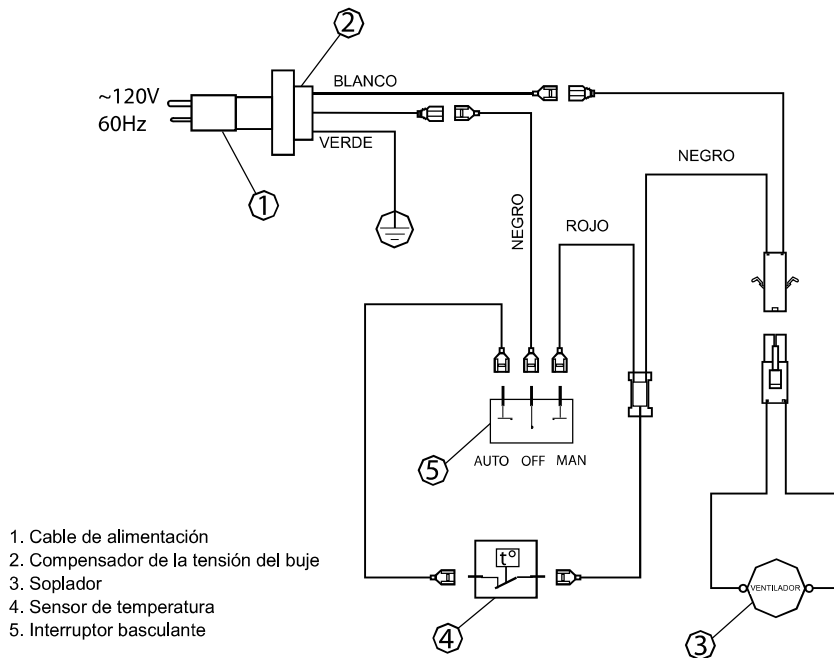


15. Compruebe que todos los cables estén seguros y vuelva a conectar el panel de acceso del soplador a la carcasa exterior.



## ENSAMBLAJE DEL SOPLADOR (OPCIONAL)

Diagrama de cableado eléctrico



NOTA: Si se debe reemplazar alguno de los cables originales suministrados con el electrodoméstico, se debe reemplazar con un cable de al menos una clasificación de temperatura igual.

**⚠ PRECAUCIÓN:** Etiquete todos los cables antes de desconectar el aparato cuando realice el mantenimiento de los controles. Los errores de cableado pueden causar un funcionamiento incorrecto y peligroso.

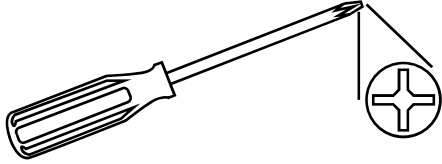
Verifique el funcionamiento correcto después del mantenimiento.

# INSTALACIÓN - VFF3-26PHDX

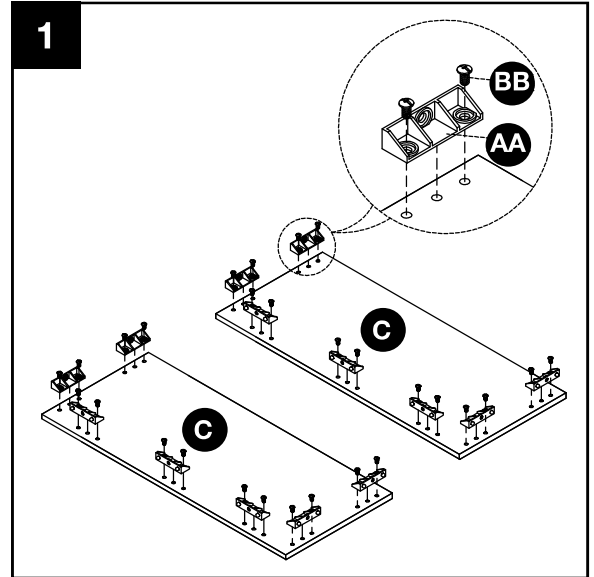
**NOTA:** Si tiene el modelo #VFF3-26PHDZ, pase a la página 23.

Herramientas necesarias:

- Destornillador Phillips (no incluidos)

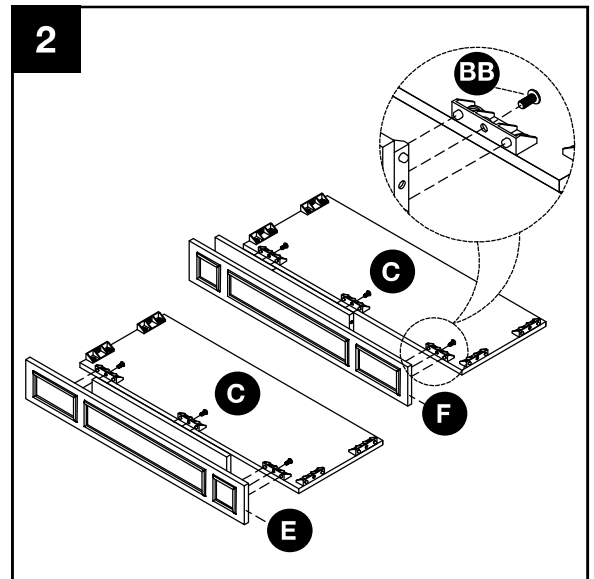


1. Fije los conectores (AA) a los paneles laterales izquierdo y derecho (C) con un perno corto (BB).

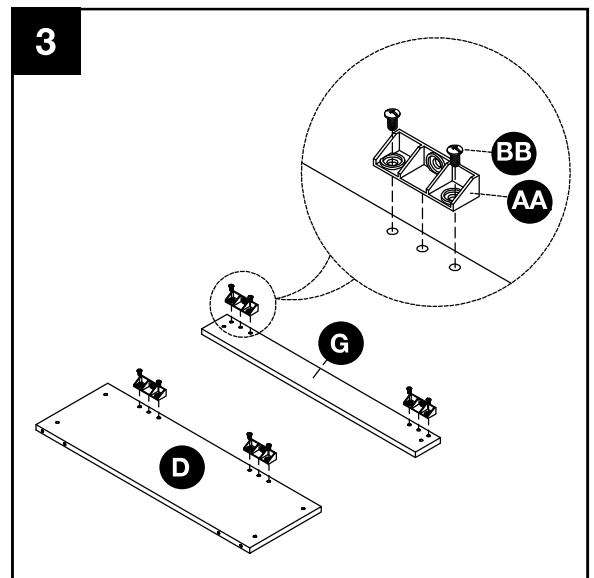


2. Conecte el panel frontal izquierdo (E) al panel lateral izquierdo (C) con un perno corto (BB).

Conecte el panel frontal derecho (F) al panel lateral derecho (C) con un perno corto (BB).

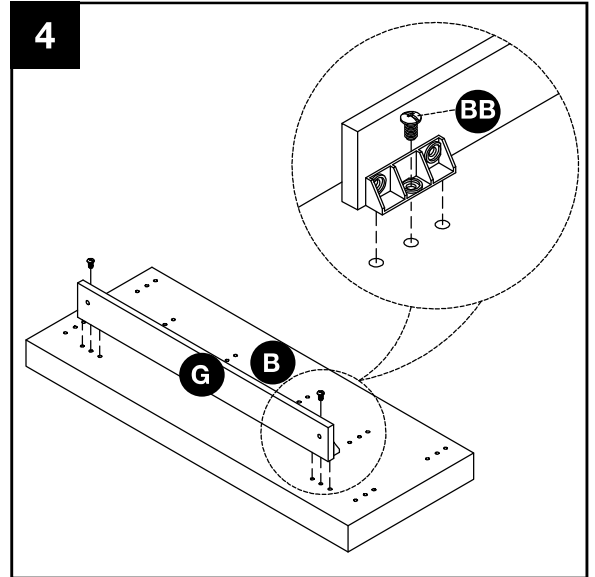


3. Fije los conectores (AA) a el panel frontal superior (D) y panel de plataforma (G) ucon un perno corto (BB).

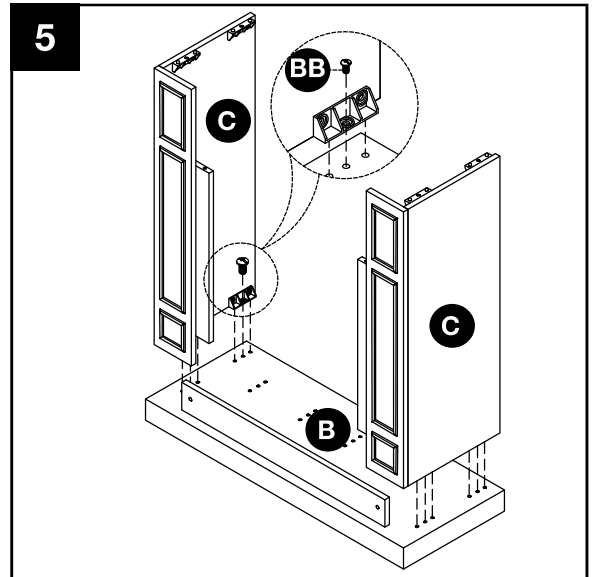


## INSTALACIÓN - VFF3-26PHDX

4. Conecte el panel de plataforma (G) a la base (B) con pernos cortos (BB).

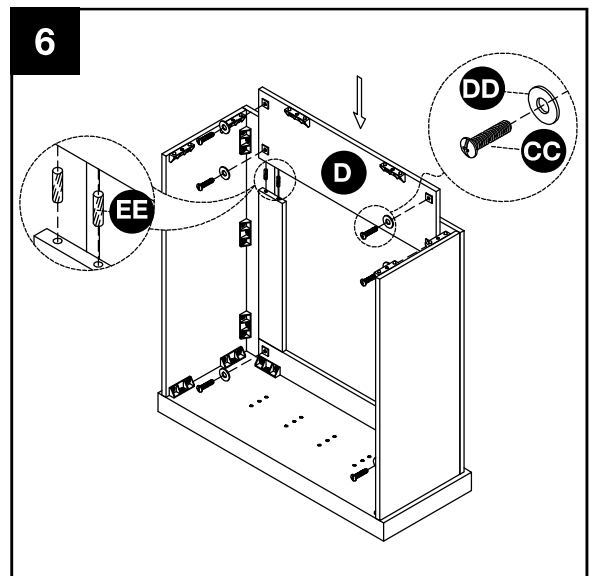


5. Conecte los paneles laterales izquierdo y derecho (C) a la base (B) con pernos cortos (BB).



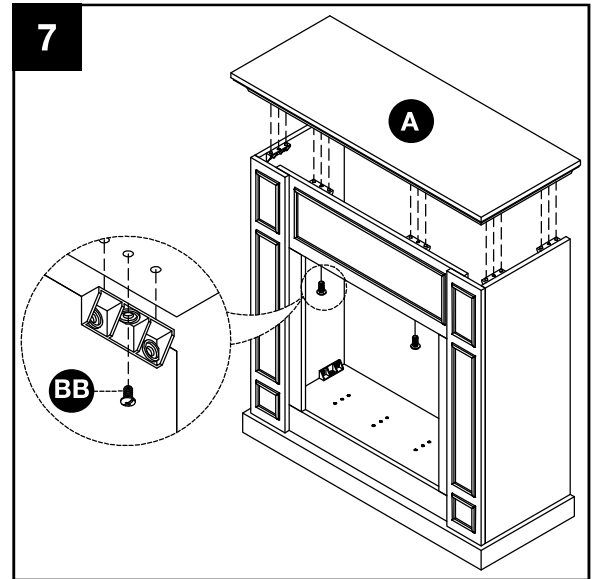
6. Conecte el panel frontal superior (D) a los paneles frontales izquierdo (E) y derecho (F) con 4 tacos de madera (EE), 4 pernos largos (CC) y 4 arandelas (DD).

Asegure el panel de la plataforma (G) con los paneles frontales izquierdo (E) y derecho (F) usando 2 pernos largos (CC) y 2 arandelas (DD).

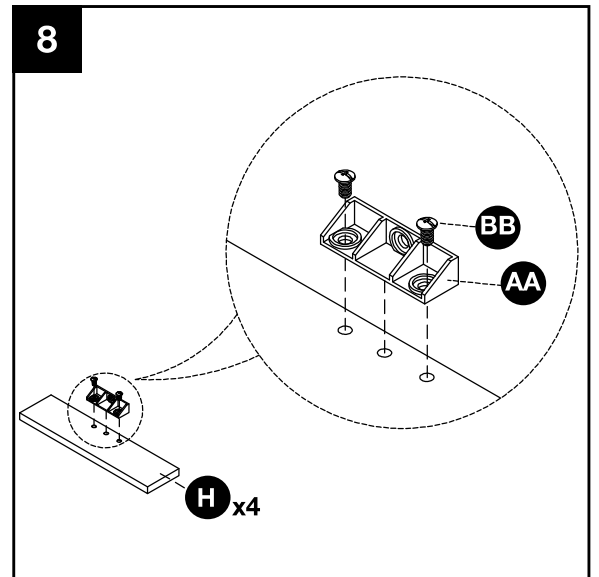


## INSTALACIÓN - VFF3-26PHDX

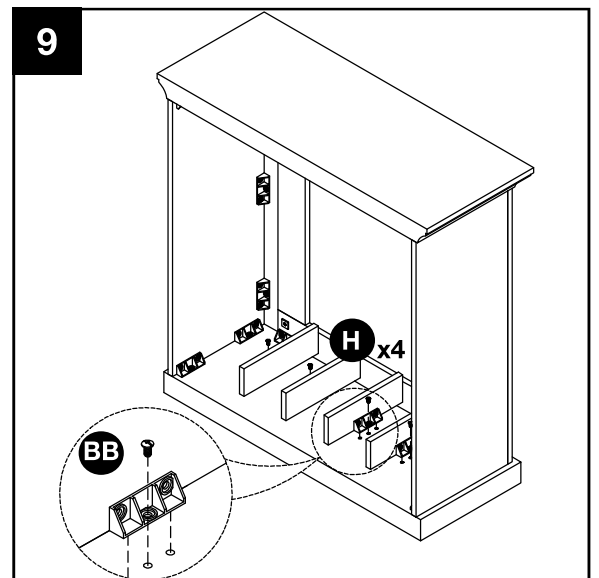
7. Conecte el panel superior (A) al panel lateral izquierdo y derecho (C) y al panel frontal superior (D) con pernos cortos (BB).



8. Fije los conectores (AA) a los panels de soporte (H) con un perno corto (BB).



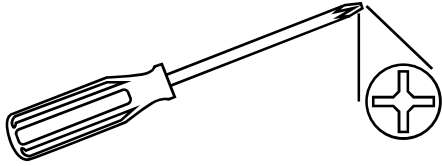
9. Conecte los panels de soporte (H) a la base (B) con pernos cortos (BB).



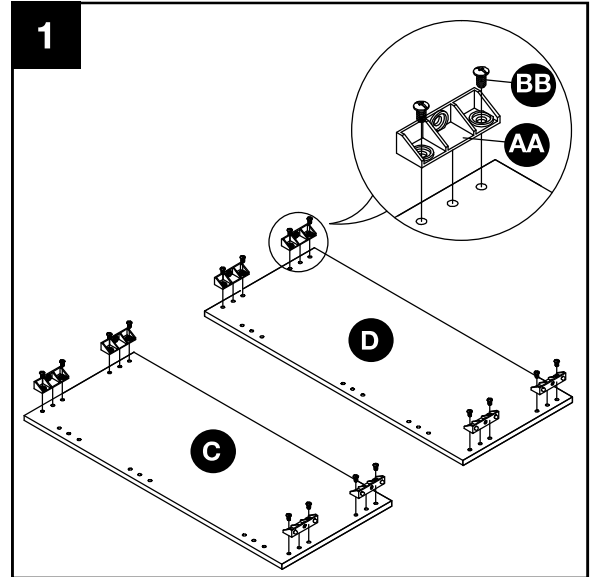
## INSTALACIÓN - VFF3-26PHDZ

Herramientas necesarias:

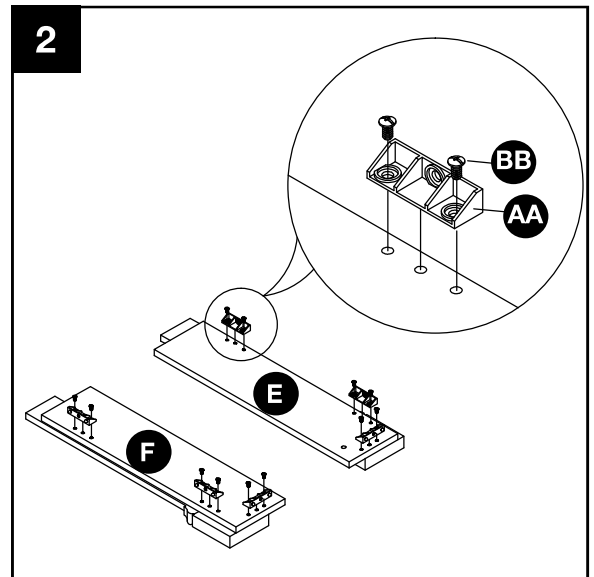
- Destornillador Phillips (no incluidos)



1. Fije los conectores (AA) a los paneles laterales izquierdo (C) y derecho (D) con un perno corto (BB).

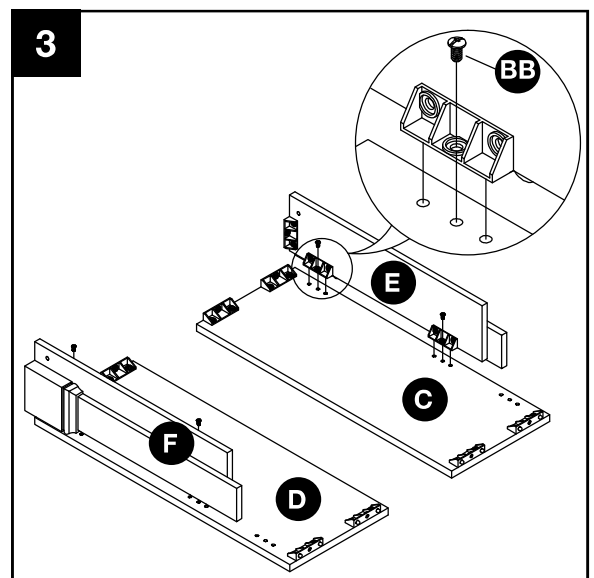


2. Fije los conectores (AA) a los paneles frontales izquierdo (E) y derecho (F) con un perno corto (BB).



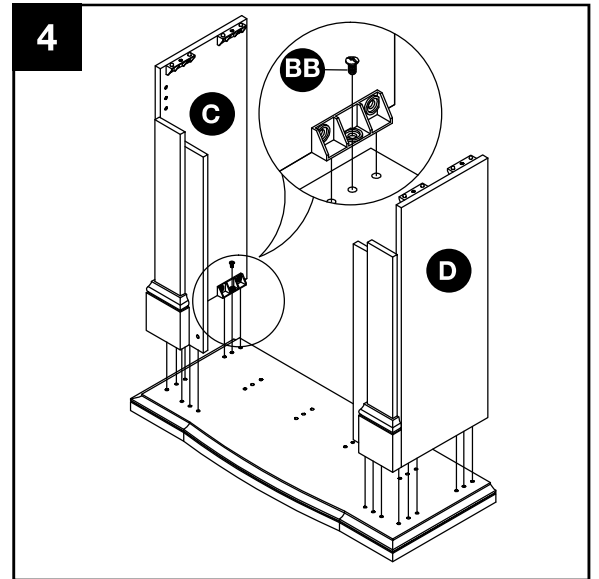
3. Conecte el panel frontal izquierdo (E) al panel lateral izquierdo (C) con un perno corto (BB).

Conecte el panel frontal derecho (F) al panel lateral derecho (D) con un perno corto (BB).

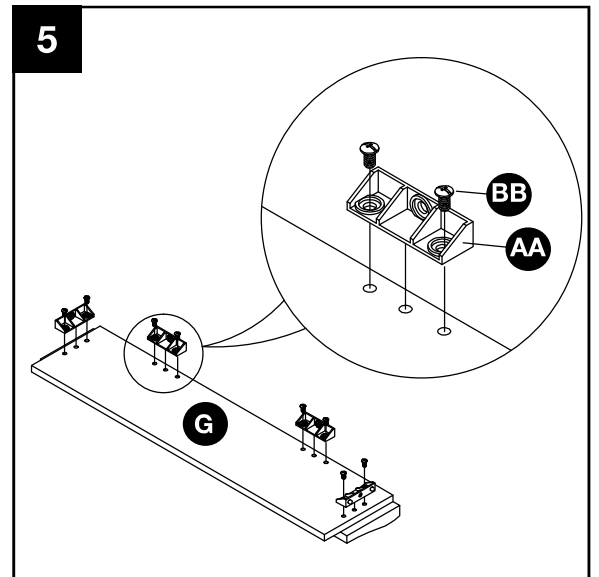


## INSTALACIÓN - VFF3-26PHDZ

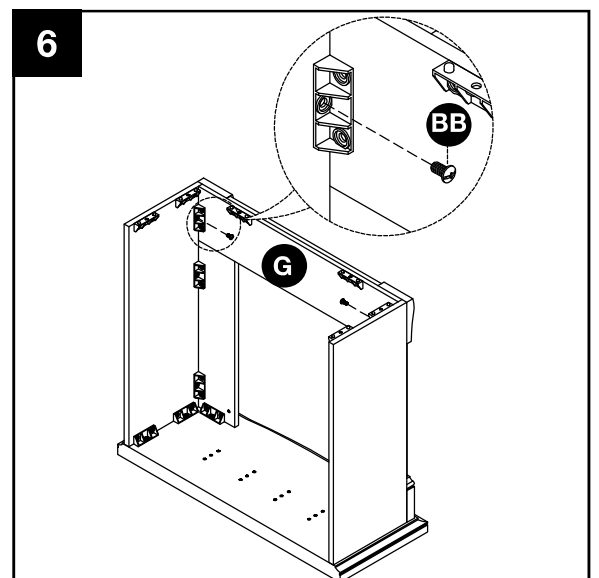
4. Conecte los paneles laterales izquierdo (C) y derecho (D) y los paneles frontales izquierdo (E) y derecho (F) a la base (B) con pernos cortos (BB).



5. Fije los conectores (AA) al panel frontal superior (G) con un perno corto (BB).

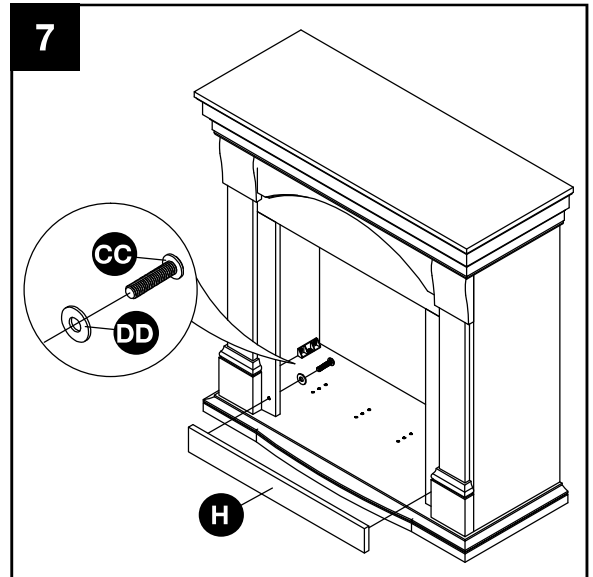


6. Conecte el panel frontal superior (G) a los paneles frontales izquierdo (E) y derecho (F) con un perno corto (BB).

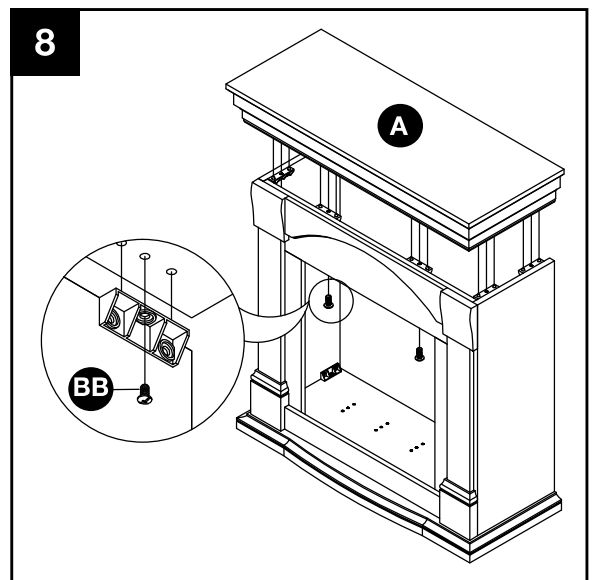


## INSTALACIÓN - VFF3-26PHDZ

7. Conecte el panel de plataforma (H) a los paneles frontales izquierdo (E) y derecho (F) con los pernos largos (CC) y las arandelas (DD).

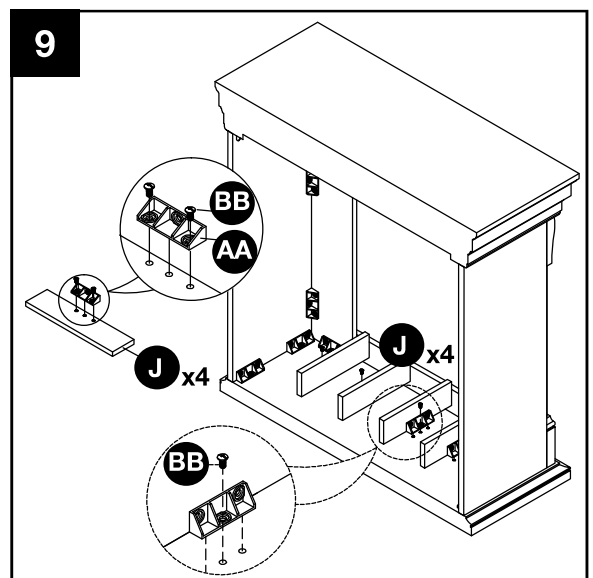


8. Conecte el panel superior (A) al panel lateral izquierdo (C) y derecho (D) con pernos cortos (BB).



9. Fije los conectores (AA) a los paneles de soporte (J) con un perno corto (BB).

Conecte los paneles de soporte (J) a la base (B) con pernos cortos (BB).



## INSTALACIÓN

---

### INSTRUCCIONES DE SELECCIÓN DE GAS

**⚠ ADVERTENCIA:** este electrodoméstico se puede usar con gas propano o gas natural. Se envía de fábrica configurado para usarse con propano.

**PRECAUCIÓN:** la perilla del medio para seleccionar el combustible no debe manipularse ni regularse mientras que el electrodoméstico esté en funcionamiento.

**PRECAUCIÓN:** se prohíbe instalar dos líneas de gas al mismo tiempo. La placa de acceso al medio de cambio simple no debe abrirse mientras que el calentador esté en funcionamiento.

La instalación y los ajustes solo deben ser realizados por un técnico calificado.

NOTA: si conecta este electrodoméstico a propano, no necesita hacer ajustes. Instale la línea de gas según se indica en el manual del propietario.

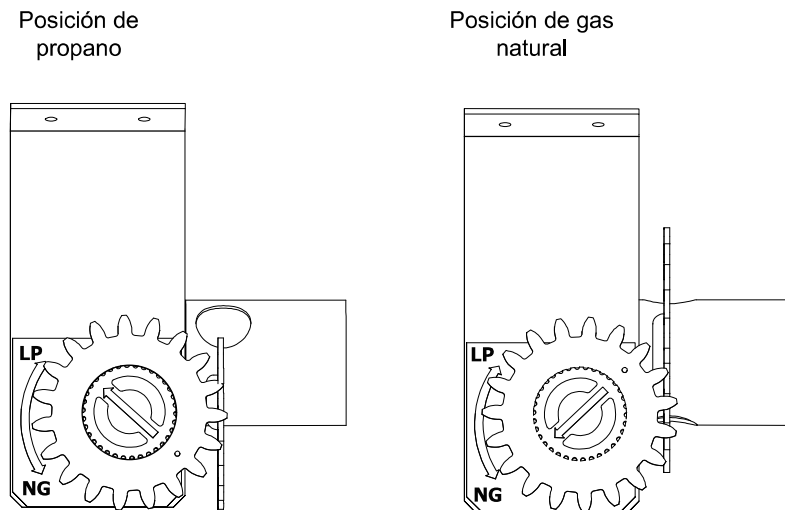
#### Conversión a gas natural:

Paso 1: ajuste la válvula del selector de gas.

Presione la perilla de la válvula del selector y gírela en dirección contraria a las manecillas del reloj hasta que se detenga. Suelte la perilla (consulte la Fig. 8).

**No utilice el electrodoméstico con la perilla ubicada entre las dos posiciones.**

Invierta el paso 1 para volver a convertir a gas propano.



**Fig. 8: válvula selectora**

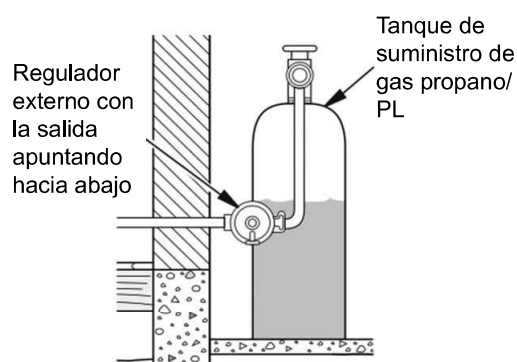
## INSTALACIÓN

### CONEXIÓN AL SUMINISTRO PARA SERVICIO DE GAS

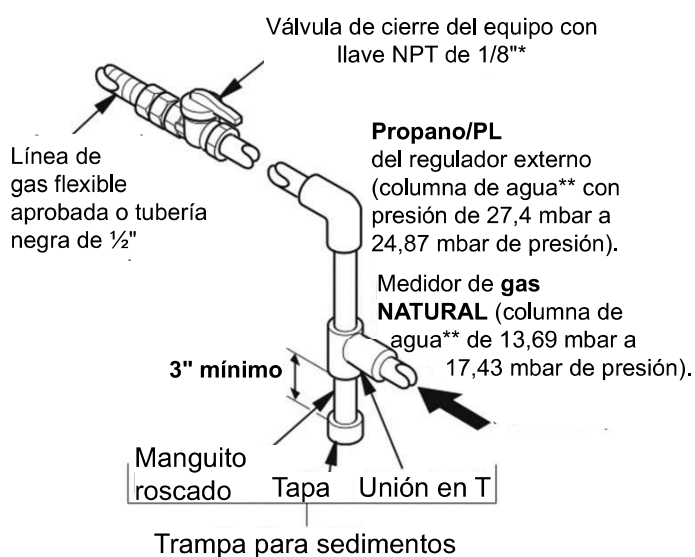
**⚠ ADVERTENCIA:** un técnico de mantenimiento calificado debe realizar la conexión del calentador al suministro de gas. Respete todos los códigos locales.

**PRECAUCIÓN:** nunca conecte el calentador directamente al suministro de gas. Este calentador necesita un regulador externo (no incluido). Se debe instalar el regulador externo entre el suministro de gas y el calentador. El proveedor de gas debe suministrar un regulador externo para el gas natural.

**⚠ ADVERTENCIA:** no instale el calentador en pozos de gas privados (que no pertenezcan a los servicios públicos). Este gas se conoce comúnmente como gas de pozo. El instalador debe proveer un regulador externo para propano líquido. El proveedor de gas proporciona un regulador externo para el gas natural. El regulador externo reducirá la presión de la entrada de gas. Debe reducir la presión de la entrada de gas a entre 27,4 y 34,87 mbar para el gas propano y entre 14,94 y 34,87 mbar para el gas natural. Si no reduce la presión de gas entrante, podría dañarse el regulador del calentador. Instale el regulador externo con la salida apuntando hacia abajo, como se muestra en la Fig. 6, para evitar que se congele con la lluvia o el aguanieve.



**Fig. 9: conversión del regulador**



**Fig. 10: conexión de gas**

\* Compre la válvula de cierre del equipo opcional en la tienda Home Center local.

**⚠ PRECAUCIÓN:** utilice solo tuberías nuevas de hierro negro o acero. En algunas áreas es posible que se utilicen tuberías de cobre con revestimiento interno de estaño. Revise los códigos locales. Utilice tuberías de diámetro igual o menor a 1/2" para permitir la entrada de un volumen adecuado de gas al calentador. Si la tubería es demasiado pequeña, habrá pérdida de presión. La instalación debe incluir una válvula de cierre del equipo, una conexión y una rosca macho NPT de 1/8" con tapón. Ubique la rosca macho NPT al alcance para probar la conexión del medidor. La rosca macho NPT debe estar colocada en dirección de la corriente en relación al calentador (consulte la Fig. 10).

**IMPORTANTE:** instale una válvula de cierre del equipo en un lugar accesible. La válvula de cierre del equipo sirve para abrir o cerrar el paso de gas al electrodoméstico. Aplique un poco de sellador para uniones de tuberías en las roscas macho. Esto evitará que el exceso de sellador ingrese a la tubería. Una cantidad excesiva de sellador en la tubería podría tapar las válvulas del calentador.

## INSTALACIÓN

**⚠ PRECAUCIÓN:** utilice sellador para juntas de tuberías que sea resistente al gas (PROPANO O GN)  
Le recomendamos instalar una trampa de sedimentos en la línea de entrada, como se muestra en la Fig. 10. Ubique la trampa de sedimentos al alcance para limpiarla y donde no sea probable que se congele. Instálela en el sistema de tuberías entre el suministro de combustible y el calentador. Las trampas de sedimentos retienen la humedad y los contaminantes. Esto evita que ingresen en los controles del calentador. Si no se instaló la trampa para sedimentos o si se instaló de forma incorrecta, es posible que el calentador no funcione correctamente.

**⚠ PRECAUCIÓN:** evite dañar el regulador. Sostenga el regulador de gas con la llave al conectarlo a la tubería de gas o a los conectores. Modelos a GN: 14,94 mbar a 34,87 mbar. El proveedor de gas debe suministrar un regulador externo para el gas natural.

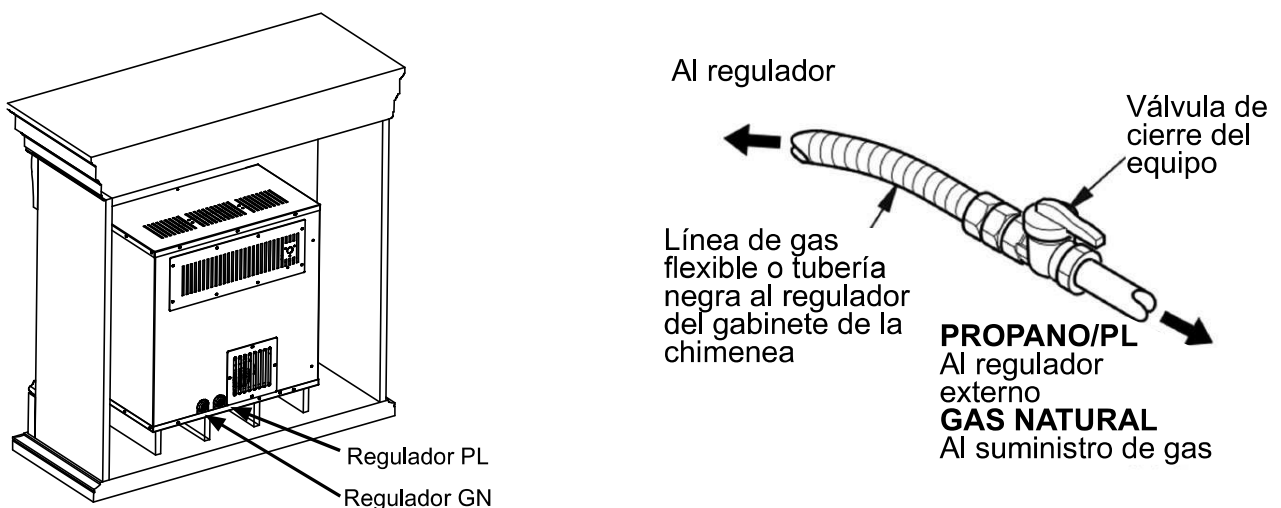
### Elementos de instalación necesarios (no incluidos)

- Llave inglesa ajustable de 8"
- Llave inglesa para tuberías de 8"
- Tubería de gas flexible (24" mín.) o tubería negra de 1/2"
- Conexión abocardada de 90 grados de 3/8 NPT x 3/8" o codo macho-hembra de 3/8 NPT
- Sellador (resistente al gas propano [LP])
- Válvula de cierre

- 1) Existe una variedad de opciones posibles para enrutar las líneas de conexión de gas dependiendo de dónde se encuentre la línea de suministro de gas. Instale el conector de 3/8" al regulador del gabinete de la chimenea con sellador y apunte la unión hacia la izquierda o hacia la derecha de la línea de suministro para servicio de gas.

**AVISO:** la mayoría de los códigos de construcción no permiten conexiones de gas ocultas. Consulte el código de construcción local antes de utilizar una línea de gas flexible para esta instalación.

- 2) Instale la línea de gas en el conector de 90 grados y conéctela a la válvula de cierre. Es posible que sea necesario cortar y acceder a un orificio en el costado o en la parte inferior del gabinete de la repisa para chimenea, según su conexión particular.
- 3) Revise todas las conexiones para detectar fugas de gas.



**Fig. 11: conexión flexible de la línea de gas a la válvula de cierre del equipo**

## MONTAJE DE LOS LEÑOS

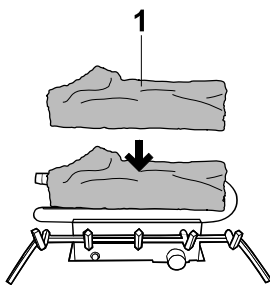
**⚠ ADVERTENCIA:** no colocar las piezas de acuerdo con estos diagramas o no usar solo las piezas aprobadas específicamente con este calentador puede ocasionar daños materiales o lesiones personales.

**⚠ PRECAUCIÓN:** después de la instalación y de forma periódica, compruebe que las llamas amarillas no entren en contacto con los leños. Con el calentador regulado en Alto, verifique si las llamas amarillas entran en contacto con alguno de los leños. Si es así, vuelva a colocar los leños de acuerdo con las instrucciones de instalación que se brindan en este manual. Si las llamas amarillas entran en contacto con los leños, se producirá hollín.

Es muy importante instalar los leños siguiendo exactamente las instrucciones. No modifique los leños. Utilice solo los leños que se incluyen con el calentador. Cada leño está marcado con un número, lo que le ayudará a identificar cada uno durante la instalación.

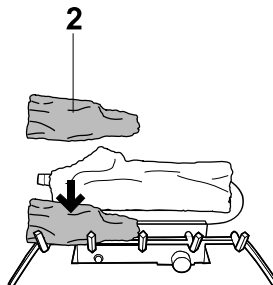


Instalación del leño n.º 1



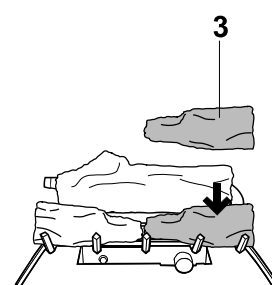
1. Coloque el leño n.º 1 en la fila trasera de sujetadores de la bandeja.

Instalación del leño n.º 2



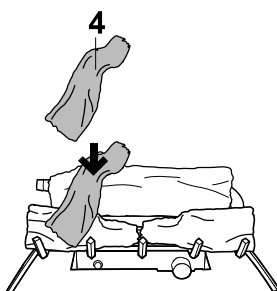
2. Coloque el leño n.º 2 en el lado izquierdo del frente de la bandeja.

Instalación del leño n.º 3



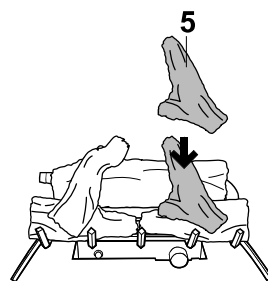
3. Coloque el leño n.º 3 en el lado derecho del frente de la bandeja.

Instalación del leño n.º 4



4. Coloque el leño n.º 4 en el sujetador izquierdo del leño n.º 1 y n.º 2.

Instalación del leño n.º 5



5. Coloque el leño n.º 5 en el sujetador derecho del leño n.º 1 y n.º 3.

## INSTALACIÓN

### VERIFICACIÓN DE LAS CONEXIONES DE GAS

**⚠ ADVERTENCIA:** controle todas las tuberías y conexiones de gas para detectar fugas después de la instalación o el mantenimiento. Corrija todas las fugas de inmediato.

**⚠ ADVERTENCIA:** no use nunca una llama directa para detectar fugas. Aplique una mezcla de jabón líquido y agua en todas las juntas. Si se forman burbujas, es posible que haya una fuga. Corrija todas las fugas de inmediato.

#### Prueba de presión para el sistema de tuberías de suministro de gas Revise si hay presiones superiores a 1/2 PSIG (3,5 kPa)

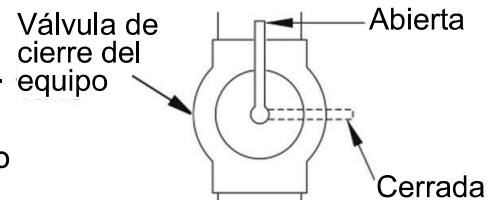
1. Desconecte el calentador con su válvula para gas principal del electrodoméstico (válvula de control) y válvula de cierre del equipo del sistema de tuberías de suministro para servicio de gas. Las presiones superiores a 1/2 PSIG dañan el regulador del calentador.
2. Destape el extremo de la tubería de gas donde la válvula de cierre del equipo estaba conectada.
3. Presurice el sistema de tuberías con aire comprimido o abriendo la válvula del tanque del suministro para servicio de gas.
4. Revise todas las juntas del sistema de tuberías del suministro para servicio de gas. Aplique una mezcla de jabón líquido y agua en las juntas de gas. Si se forman burbujas, es posible que haya una fuga.
5. Corrija todas las fugas de inmediato.
6. Vuelva a conectar el calentador y la válvula de cierre del equipo al suministro para servicio de gas. Revise los conectores que se volvieron a colocar para detectar fugas.

#### Revise si hay presiones iguales o menores que 1/2 PSIG (3,5 kPa).

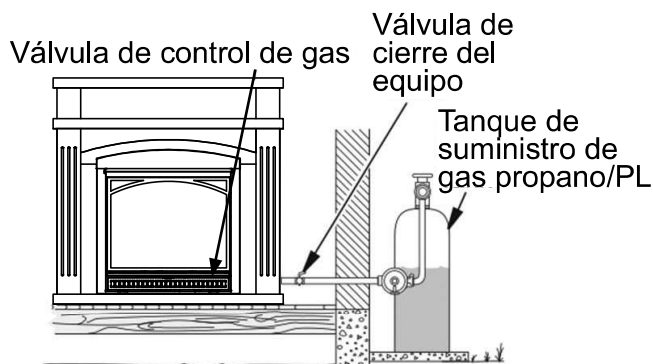
1. Cierre la válvula de cierre del equipo (consulte la Fig. 12).
2. Presurice el sistema de tuberías con aire comprimido o abriendo la válvula del tanque del suministro para servicio de gas.
3. Revise todas las juntas desde el medidor de gas hasta la válvula de cierre del equipo (consulte la Fig. 13). Aplique una mezcla de jabón líquido y agua en las juntas de gas. Si se forman burbujas, es posible que haya una fuga.
4. Corrija todas las fugas de inmediato.

#### Prueba de presión de las conexiones de gas del calentador

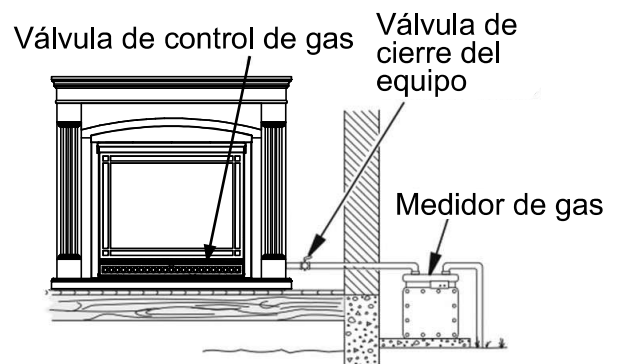
1. Abra la válvula de cierre del equipo (consulte la Fig. 12).
2. Abra la válvula del tanque del suministro para servicio de gas.
3. Asegúrese de que la perilla de control del calentador esté en la posición OFF (APAGADO).
4. Verifique todas las juntas desde la válvula de cierre del equipo hasta la válvula de control (consulte la Fig. 13). Aplique una mezcla de jabón líquido y agua en las juntas de gas. Si se forman burbujas, es posible que haya una fuga.
5. Encienda el calentador (consulte Funcionamiento, página 26). Revise que no haya fugas en ninguna de las otras juntas internas.
6. Apague el calentador (consulte la sección "Para cortar el paso de gas hacia el electrodoméstico", página 27).



**Fig. 12: válvula de cierre del equipo**



**Fig. 13: comprobación de las juntas de gas (propano/PL únicamente)**



**Fig. 14: comprobación de las juntas de gas (solo gas natural)**

## FUNCIONAMIENTO

### PARA SU SEGURIDAD, LEA ANTES DE ENCENDER EL ELECTRODOMÉSTICO

**⚠ ADVERTENCIA:** si no sigue con precisión estas instrucciones, podría provocar un incendio o una explosión que resulte en daños materiales, daños personales o muerte.

A. Este electrodoméstico cuenta con un piloto que se debe encender por medio del encendedor electrónico. Cuando encienda el piloto, siga exactamente estas instrucciones.





B. **ANTES DE ENCENDER** el electrodoméstico, verifique si hay olor a gas alrededor del electrodoméstico. Asegúrese de oler cerca del piso, ya que el gas puede ser más pesado que el aire y se asentará en el piso.

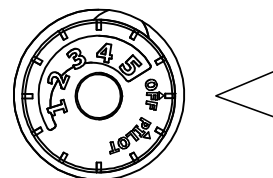
**⚠ ADVERTENCIA:** no utilice ningún tipo de accesorio de soplador, accesorio para intercambio de calor ni ningún otro accesorio que no esté aprobado para su uso con este calentador.

### QUÉ HACER SI HUELE A GAS

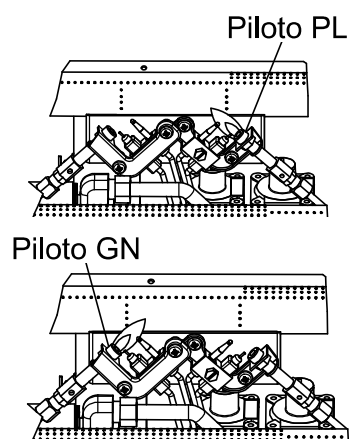
- No trate de encender ningún electrodoméstico.
  - No toque ningún interruptor eléctrico ni utilice ningún teléfono en el edificio.
  - Desde el teléfono de un vecino, llame inmediatamente a su proveedor de gas. Siga las instrucciones del proveedor de gas.
  - Si no puede comunicarse con su proveedor de gas, llame al departamento de bomberos.
- C. Use solo su mano para presionar o girar la perilla de control de gas. Nunca utilice herramientas. Si no puede presionar o girar la perilla con la mano, no intente repararla; llame a un técnico de servicio calificado. Forzar o intentar repararla puede provocar un incendio o una explosión.
- D. No utilice este electrodoméstico si alguna de sus piezas estuvo sumergida en agua. Llame de inmediato a un técnico en mantenimiento calificado para que inspeccione el aparato y reemplace cualquier pieza del sistema de control y cualquier control de gas que haya estado sumergido en agua.

### INSTRUCCIONES DE ENCENDIDO

1. ¡DETÉNGASE! Lea la información de seguridad como se indicó anteriormente.
2. Abra el panel de acceso inferior ubicado debajo de la pantalla de la chimenea.
3. Gire la perilla de control en dirección de las manecillas del reloj  hacia la posición OFF (APAGADO) (consulte la Fig. 15).
4. Espere cinco (5) minutos para que se despeje el gas. Luego verifique si hay olor a gas, incluso cerca del piso. Si percibe olor a gas, ¡DETÉNGASE! Siga la sección "B" de la información de seguridad, como se indicó anteriormente. Si no hay olor a gas, proceda con el próximo paso.
5. Gire la perilla de control en la dirección contraria a las manecillas del reloj  hacia la posición PILOTO (PILOTO) (consulte la Fig. 16). Presione la perilla de control.
6. Con la perilla de control presionada, presione el botón del encendedor hasta que el piloto se encienda. El piloto está ubicado detrás de la pantalla de la chimenea, centrado cerca de la parte posterior del quemador.
7. Mantenga presionada la perilla de control durante (30) segundos después de que el piloto se encienda. Suelte la perilla de control.
  - Si la perilla de control no se levanta al soltarla, deténgase de inmediato y llame a un técnico de servicio calificado o al proveedor de gas.
  - Si el piloto se apaga, repita los pasos 3 a 7. Espere (1) minuto antes de intentar encender el piloto nuevamente. Si el piloto se apaga tras varios intentos, gire la perilla de control de gas en dirección de las manecillas del reloj  hasta la posición OFF (APAGADO) y llame a un técnico de servicio calificado.
8. Gire la perilla de control en dirección contraria a las manecillas de reloj  hacia la graduación deseada.
9. Cierre el panel de acceso inferior.




**Fig. 15: perilla de control**



**Fig. 16: piloto**

## FUNCIONAMIENTO

### CORTAR EL PASO DE GAS HACIA EL ELECTRODOMÉSTICO

1. Abra el panel de acceso inferior ubicado debajo de la pantalla de la chimenea.
2. Gire la perilla de control en dirección de las manecillas del reloj  hacia la posición OFF (APAGADO).
3. Cierre el panel de acceso inferior.

### INSPECCIÓN DE LOS QUEMADORES

Revise frecuentemente el comportamiento de la llama del piloto y de la llama del quemador.

### COMPORTAMIENTO DE LA LLAMA DEL PILOTO

La Fig. 20 muestra el comportamiento correcto de la llama del piloto. La Figura 21 muestra el comportamiento incorrecto de la llama del piloto. La llama incorrecta del piloto no toca el termopar. Esto hará que el termopar se enfríe. Cuando el termopar se enfría, la chimenea se apaga. Si el comportamiento de llama del quemador es incorrecto, como se muestra en la Figura 21.

- Apague la chimenea (consulte Para cortar el paso de gas hacia el electrodoméstico, página 27).
- Consulte Solución de problemas, página 37.

Nota: la llama del piloto en las unidades de gas natural tendrá una ligera curva, pero la llama debe ser azul y no tener color amarillo o naranja.

Fig. 20: comportamiento correcto de la llama del piloto

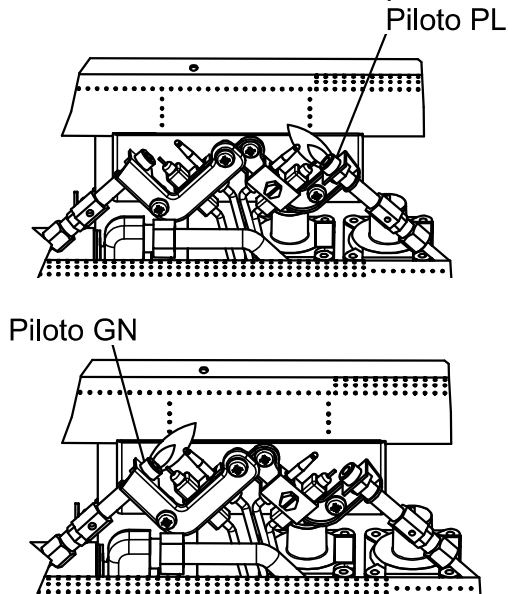
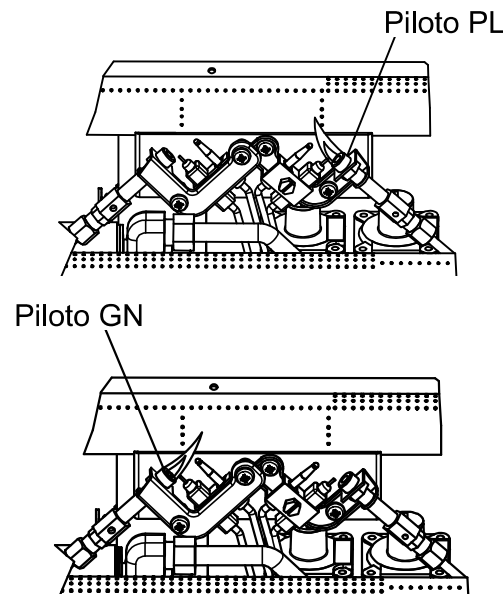


Fig. 21: comportamiento incorrecto de la llama del piloto



**⚠ ADVERTENCIA:** si se forman llamas de color amarillo, el calentador puede estar produciendo altos niveles de monóxido de carbono. Si el comportamiento de la llama del quemador muestra llamas de color amarillo, siga las instrucciones al final de esta página.

**⚠ ADVERTENCIA:** no permita que los ventiladores soplen directamente a la chimenea. Evite corrientes de aire que alteren el comportamiento de la llama del quemador.

**⚠ ADVERTENCIA:** no utilice ningún tipo de accesorio de soplador, accesorio para intercambio de calor ni ningún otro accesorio que no esté aprobado para su uso con este calentador.

**Aviso:** no confunda las llamas naranjas con las llamas amarillas. El polvo u otras partículas finas ingresan en el calentador y se queman, lo que provoca breves momentos de llamas color naranja.

## CUIDADO Y MANTENIMIENTO

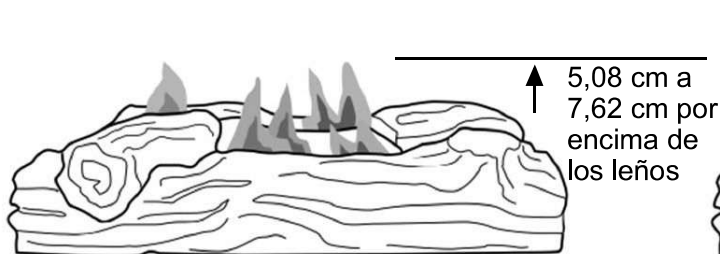
### COMPORTAMIENTO DE LA LLAMA DEL QUEMADOR

La Fig. 22 muestra el comportamiento correcto de la llama del quemador. La Fig. 23 muestra el comportamiento incorrecto de la llama del quemador. El comportamiento incorrecto de la llama del quemador muestra una inclinación esporádica e irregular de la llama. La llama no debe ser oscura ni tener un tinte anaranjado o rojizo.

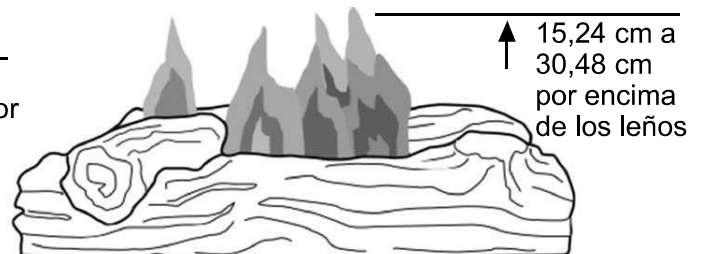
Nota: cuando use la chimenea por primera vez, la llama será de color naranja durante aproximadamente una hora hasta que el leño se cure.

Si el comportamiento de la llama del quemador es incorrecto, como se muestra en la Figura 23.

- Apague la chimenea (consulte la sección "Para cortar el paso de gas hacia el electrodoméstico", página 27).
- Consulte Solución de problemas, página 37.



**Fig. 22: comportamiento correcto de la llama del quemador**



**Fig. 23: comportamiento incorrecto de la llama del quemador**

**⚠ ADVERTENCIA:** siempre apague el calentador y déjelo enfriar antes de realizar mantenimiento.

**⚠ PRECAUCIÓN:** debe mantener limpias las áreas del control, del quemador y de los conductos de aire del calentador. Inspeccione estas áreas del calentador antes de cada uso. Pida a un técnico en mantenimiento calificado que inspeccione el calentador una vez al año. El calentador puede necesitar una limpieza más frecuente debido a las pelusas del alfombrado, ropa de cama, pelos de mascotas, etc.

**⚠ ADVERTENCIA:** no mantener limpias las aberturas de aire principales de los quemadores puede facilitar la producción de hollín y producir daños materiales.

### SOPORTE DEL ORIFICIO DEL QUEMADOR Y ORIFICIO DE ENTRADA DE AIRE DEL PILOTO

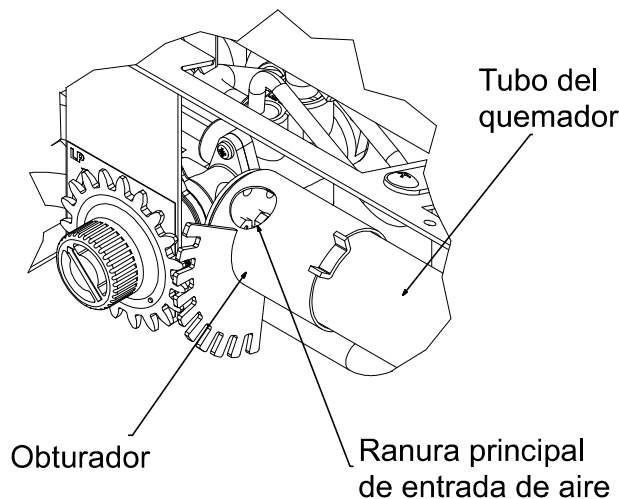
Los orificios principales de entrada de aire permiten que la cantidad correcta de aire se mezcle con el gas, para que la llama arda en forma limpia. Mantenga estos orificios libres de polvo, suciedad, pelusas y pelo de mascotas. Limpie estos orificios de entrada de aire antes de cada temporada de calefacción. Si los orificios se bloquean, se produce hollín. Recomendamos que limpie la unidad cada tres meses durante el funcionamiento y que un técnico calificado inspeccione la chimenea anualmente.

También recomendamos mantener la tubería del quemador y el ensamblaje del piloto limpios y sin polvo ni suciedad. Para limpiar estas piezas recomendamos usar aire comprimido a no más de 30 PSI. Su tienda local de computadoras, ferretería o centro de artículos para el hogar puede tener aire comprimido en una lata. Si utiliza aire comprimido en lata, siga las instrucciones de la lata. Si no sigue las instrucciones de la lata, podría dañar el ensamblaje del piloto.

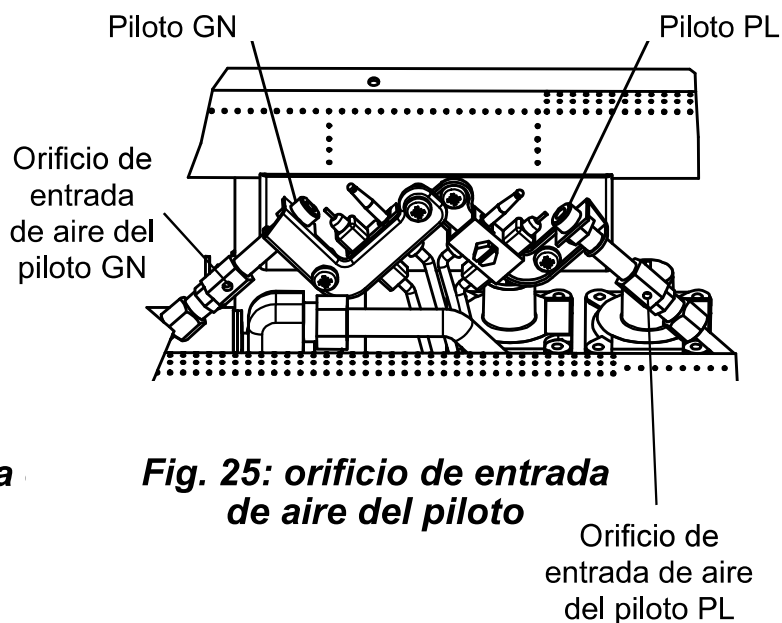
## CUIDADO Y MANTENIMIENTO

1. Apague la unidad, incluido el piloto. Deje enfriar la unidad durante al menos 30 minutos.
2. Compruebe que el quemador, el piloto y los orificios principales de entrada de aire del soporte del orificio no presenten polvo ni suciedad (consulte la Fig. 24).
3. Aplique aire a través de los puertos/ranuras y orificios del quemador.
4. Vuelva a revisar el soporte del orificio ubicado en el extremo del tubo del quemador. Elimine todas las partículas grandes de polvo, suciedad, pelusas y pelos de mascotas con un paño suave o la boquilla de una aspiradora.
5. Aplique aire a los orificios principales de aire del soporte del orificio.
6. En caso de que se hayan introducido grandes acumulaciones de polvo en el quemador, repita los pasos 3 y 4. Limpie también el ensamble del piloto. Si la llama del piloto tiene la punta amarilla, esto indica que hay polvo y suciedad en el ensamble del piloto. Hay un pequeño orificio de entrada de aire al piloto aproximadamente a 5,08 cm del lugar donde la llama del piloto sale del ensamble (consulte la Figura 25 según el modelo). Con la unidad apagada, aplique aire ligeramente en el orificio de entrada de aire. Si no tiene aire comprimido, puede soplar a través de una pajilla.

*\*Recomendamos que limpie la unidad cada tres meses durante el funcionamiento y que un técnico calificado inspeccione la chimenea anualmente. No mantener limpias las aberturas de aire principales de los quemadores puede facilitar la producción de hollín y producir daños materiales.*



**Fig. 24: ranura principal de entrada de aire en el tubo del quemador**



**Fig. 25: orificio de entrada de aire del piloto**

### JUEGO DE LEÑOS

- Si retira el juego de leños para limpiarlo, consulte las páginas 23 y 24 para obtener instrucciones sobre cómo colocarlo.
- Reemplace el juego de leños si está roto o astillado (del tamaño de una moneda o más).

### GABINETE

#### Líneas de paso de aire

Realice la limpieza con una aspiradora o aire comprimido.

#### Exterior

Utilice un paño suave humedecido con una mezcla de jabón suave y agua. Limpie el gabinete para eliminar el polvo.

## SOLUCIÓN DE PROBLEMAS

- ⚠ ADVERTENCIA:** Si huele gas:
- Apague el suministro de gas.
  - No trate de encender ningún aparato.
  - No toque ningún interruptor eléctrico; no use ningún teléfono en su edificio.
  - Llame de inmediato a su proveedor de gas del teléfono de un vecino. Siga las instrucciones del proveedor de gas.
  - Si no puede contactar a su proveedor de gas, llame al departamento de bomberos.

**IMPORTANTE:** la operación del calentador donde existan impurezas en el aire puede crear malos olores. Los suministros de limpieza, pintura, removedor de pintura, humo de cigarrillo, cementos y pegamentos, alfombra nueva o textiles, etc. crean humos. Estos humos pueden mezclarse con el aire de la combustión y crear malos olores.

**⚠ ADVERTENCIA:** asegúrese de que la energía esté apagada antes de proceder.

**⚠ ADVERTENCIA:** apague el calefactor y deje que se enfríe antes de darle servicio. Solo una persona de servicio calificada debe dar servicio y reparar el calefactor.

**⚠ PRECAUCIÓN:** nunca use un alambre, aguja u objeto similar para limpiar el ODS/piloto. Esto puede dañar la unidad del ODS/ piloto.

### CONSEJOS DE SERVICIO

**Cuando la presión del gas es demasiado baja:**

- el piloto no se mantiene encendido
  - los quemadores tienen ignición retrasada
  - el calefactor no producirá el calor especificado
  - para unidades de propano/PL, el suministro de gas propano/PL puede estar bajo
- Usted puede sentir que la presión del gas está demasiado baja. Si es así, póngase en contacto con su proveedor local de gas natural o propano/PL.

PROBLEMA	CAUSA POSIBLE	ACCIÓN CORRECTIVA
Cuando se pulsa el botón de encendido, no hay chispa en el piloto/ODS.	<ol style="list-style-type: none"> <li>1. El electrodo de encendido está mal ubicado.</li> <li>2. El electrodo de encendido está dañado.</li> <li>3. El electrodo de encendido no está conectado al cable de encendido.</li> <li>4. El cable de encendido está atrapado o mojado.</li> <li>5. El cable de encendido está dañado.</li> <li>6. El encendedor con botón pulsador está averiado.</li> </ol>	<ol style="list-style-type: none"> <li>1. Reemplace el electrodo.</li> <li>2. Reemplace el electrodo.</li> <li>3. Reemplace el cable de encendido.</li> <li>4. Si está obstruido por algún metal o tubería, libere el cable de encendido. Mantenga seco el cable de encendido.</li> <li>5. Reemplace el cable de encendido.</li> <li>6. Reemplace el encendedor con botón pulsador.</li> </ol>
Cuando se presiona el botón de encendido, hay chispa en el piloto/ODS pero no hay encendido.	<ol style="list-style-type: none"> <li>1. El suministro para servicio de gas está cerrado o la válvula de cierre del equipo está cerrada.</li> <li>2. La perilla de control no se presionó del todo al pulsar el botón de encendido.</li> <li>3. Quedó aire en las líneas de gas durante la instalación.</li> <li>4. El piloto/ODS está tapado.</li> <li>5. La configuración del regulador de gas no es correcta.</li> <li>6. La perilla de control no está en la posición PILOT (PILOTO).</li> <li>7. El suministro de gas (propano) se ha agotado.</li> </ol>	<ol style="list-style-type: none"> <li>1. Abra el suministro para servicio de gas o la válvula de cierre del equipo.</li> <li>2. Presione la perilla de control por completo al pulsar el botón de encendido.</li> <li>3. Mantenga presionada la perilla de control. Repita el encendido hasta que se haya eliminado el aire.</li> <li>4. Limpie el piloto/ODS (consulte la sección Cuidado y mantenimiento, página 35) o reemplace el conjunto del piloto/ODS.</li> <li>5. Reemplace el regulador de gas.</li> <li>6. Gire la perilla de control hacia la posición PILOT (PILOTO).</li> <li>7. Póngase en contacto con la compañía de gas propano/PL local.</li> </ol>

## SOLUCIÓN DE PROBLEMAS

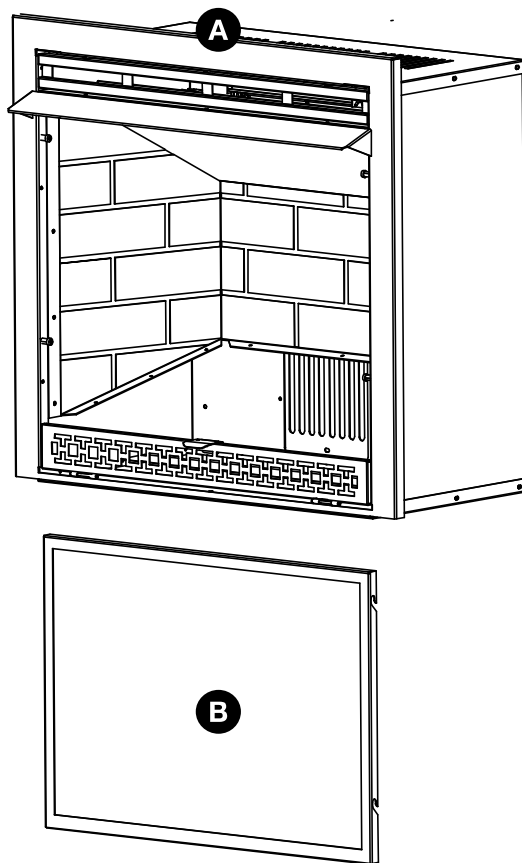
PROBLEMA	CAUSA POSIBLE	ACCIÓN CORRECTIVA
El piloto/ODS se enciende, pero la llama se apaga al soltar la perilla de control.	<ol style="list-style-type: none"> <li>1. La perilla de control no se presiona completamente.</li> <li>2. La perilla de control no se presiona lo suficiente.</li> <li>3. La válvula de cierre del equipo no está completamente abierta.</li> <li>4. La conexión del termopar está suelta.</li> <li>5. El termopar está dañado.</li> <li>6. La válvula de control está dañada.</li> </ol>	<ol style="list-style-type: none"> <li>1. Presione a fondo la perilla de control.</li> <li>2. Una vez que se encendió el piloto/ODS, mantenga apretada la perilla de control durante 30 segundos.</li> <li>3. Abra por completo la válvula de cierre del equipo.</li> <li>4. Apriete a mano hasta que quede ajustada y luego apriete <math>\frac{1}{4}</math> de vuelta más.</li> <li>5. Reemplace el termopar.</li> <li>6. Póngase en contacto con Servicio al Cliente.</li> </ol>
El quemador no se enciende una vez encendido el piloto/ODS.	<ol style="list-style-type: none"> <li>1. El orificio del quemador está tapado.</li> <li>2. El orificio del quemador es demasiado pequeño.</li> <li>3. La presión de entrada de gas es demasiado baja.</li> </ol>	<ol style="list-style-type: none"> <li>1. Limpie el orificio del quemador (consulte Cuidado y mantenimiento, página 35) o póngase en contacto con el Servicio al Cliente.</li> <li>2. Póngase en contacto con Servicio al Cliente.</li> <li>3. Póngase en contacto con su proveedor de gas.</li> </ol>
El quemador tarda en encenderse.	<ol style="list-style-type: none"> <li>1. La presión del distribuidor múltiple es demasiado baja.</li> <li>2. El orificio del quemador está tapado.</li> </ol>	<ol style="list-style-type: none"> <li>1. Póngase en contacto con su proveedor de gas.</li> <li>2. Limpie el quemador (consulte Cuidado y mantenimiento, página 35) o póngase en contacto con el Servicio al Cliente.</li> </ol>
Ignición prematura del quemador durante la combustión.	<ol style="list-style-type: none"> <li>1. El orificio del quemador está tapado o dañado.</li> <li>2. El quemador está dañado.</li> <li>3. El regulador de gas está dañado.</li> </ol>	<ol style="list-style-type: none"> <li>1. Limpie el orificio del quemador (consulte Cuidado y mantenimiento, página 35) o póngase en contacto con el Servicio al Cliente.</li> <li>2. Póngase en contacto con el vendedor o con Servicio al Cliente.</li> <li>3. Reemplace el regulador de gas.</li> </ol>
Hay una llama amarilla alta durante la combustión del quemador.	<ol style="list-style-type: none"> <li>1. No hay suficiente aire.</li> <li>2. El regulador de gas está dañado.</li> <li>3. La presión de entrada de gas es demasiado baja.</li> </ol>	<ol style="list-style-type: none"> <li>1. Inspeccione el quemador y el piloto para detectar polvo o suciedad. Si lo hay, limpie el quemador (consulte Cuidado y mantenimiento, página 35).</li> <li>2. Reemplace el regulador de gas.</li> <li>3. Póngase en contacto con su proveedor de gas.</li> </ol>
Olor a gas durante la combustión.	<ol style="list-style-type: none"> <li>1. Hay una sustancia extraña entre la válvula de control y el quemador.</li> <li>2. Hay una fuga de gas. (Consulte la Advertencia del encabezado de la página 26).</li> </ol>	<ol style="list-style-type: none"> <li>1. Separe la tubería de gas y limpie la sustancia extraña.</li> <li>2. Localice y repare todas las fugas (consulte la sección "Verificación de las conexiones de gas", página 25).</li> </ol>
El calentador produce un sonido de clic o chasquido inmediatamente después de que el quemador se enciende o se apaga.	<ol style="list-style-type: none"> <li>1. El metal se dilata con el calor o se contrae al enfriarse.</li> </ol>	<ol style="list-style-type: none"> <li>1. Esto es común en la mayoría de los calentadores. Si hace demasiado ruido, póngase en contacto con un técnico en mantenimiento calificado.</li> </ol>

## SOLUCIÓN DE PROBLEMAS

PROBLEMA	CAUSA POSIBLE	ACCIÓN CORRECTIVA
Se forman residuos en forma de polvo blanco en la caja del quemador o en las paredes o muebles contiguos.	1. Al calentarse, los vapores de la cera para muebles, cera, productos de limpieza para alfombras, etc. se convierten en residuos en forma de polvo blanco.	1. Apague el calentador cuando utilice cera para muebles, cera, productos de limpieza para alfombras o productos similares.
El calentador produce olores indeseados.	1. El calentador quema vapores de pintura, aerosoles para cabello, pegamentos, etc. Consulte la advertencia <b>IMPORTANTE</b> , página 26. 2. Fuga de gas. Consulte Declaración de advertencia, página 26. 3. Bajo suministro de combustible.	1. Ventile la habitación. Deje de usar productos que causen olor mientras use el calentador. 2. Localice y repare todas las fugas (consulte la sección "Verificación de las conexiones de gas", página 25). 3. Vuelva a llenar el tanque de suministro (modelos a gas propano/PL).
El calentador se apaga durante su uso (funciona el ODS).	1. No hay suficiente aire fresco. 2. La presión de la línea es baja. 3. El piloto/ODS está parcialmente tapado.	1. Abra la ventana o la puerta para que aumente la ventilación. 2. Comuníquese con el proveedor de gas local. 3. Limpie el ODS/piloto (consulte Cuidado y mantenimiento, página 35).
Hay olor a gas aunque la perilla de control esté en la posición OFF (APAGADO).	1. Hay una fuga de gas. Consulte la Declaración de advertencia en el encabezado de la página 26. 2. La válvula de control está defectuosa.	1. Localice y repare todas las fugas (consulte la sección "Verificación de las conexiones de gas", página 25). 2. Póngase en contacto con Servicio al Cliente.
Las ventanas presentan humedad o condensación.	1. No hay suficiente aire para la combustión y ventilación.	1. Consulte los requisitos en la sección "Aire para la combustión y ventilación", páginas 10 a 12.
Hay un poco de humo u olor durante el primer uso.	1. Residuos del proceso de fabricación.	1. El problema se solucionará después de unas horas de funcionamiento.
El calentador produce un silbido cuando el quemador está encendido.	1. Coloque la perilla de control en la posición alta (5) cuando el quemador esté frío. 2. Hay aire en la línea de gas.  3. Los conductos de aire del calentador están tapados.  4. El orificio del quemador está sucio o parcialmente tapado.	1. Coloque la perilla de control en la posición baja (1) y espere un minuto para que se caliente. 2. Haga funcionar el quemador hasta que se haya purgado el aire de la línea. Haga revisar la línea de gas por la compañía de gas propano/PL local. 3. Respete las distancias mínimas de separación (consulte la Fig. 6 en la página 14). 4. Limpie el quemador (consulte Cuidado y mantenimiento, página 35) o póngase en contacto con el Servicio al Cliente.

## LISTA DE PIEZAS DE REPUESTO

Para obtener piezas de repuesto, llame a nuestro departamento de servicio al cliente al 1-877-447-4768, de 8:30 a. m. a 4:30 p. m., hora estándar del este, de lunes a domingo. También puede contactarnos en [customerservice@ghpgroupinc.com](mailto:customerservice@ghpgroupinc.com).

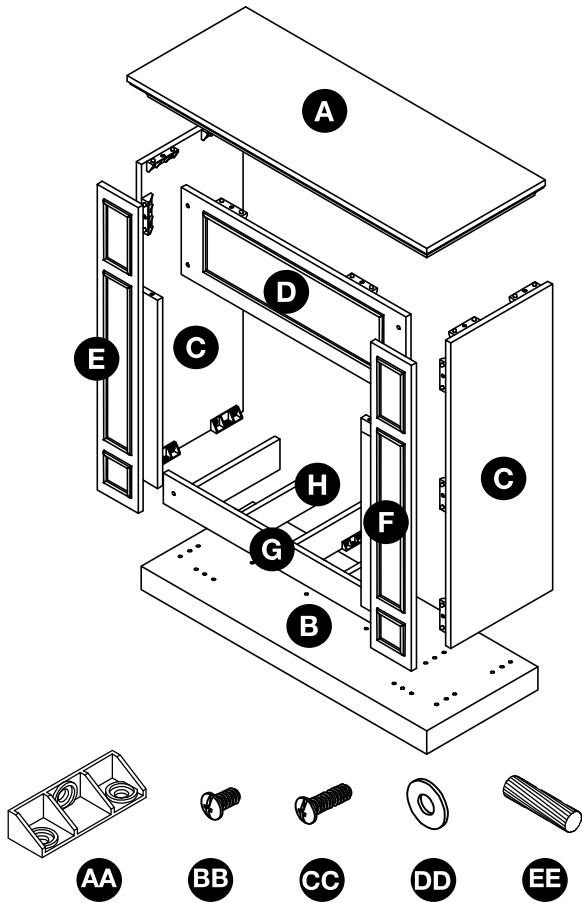


ARTÍCULO	DESCRIPCIÓN	CANT.	PIEZA N.º
A	Gabinete de la chimenea	1	80-01-233
B	Pantalla	1	80-01-234

## PRODUCT IDENTIFICATION

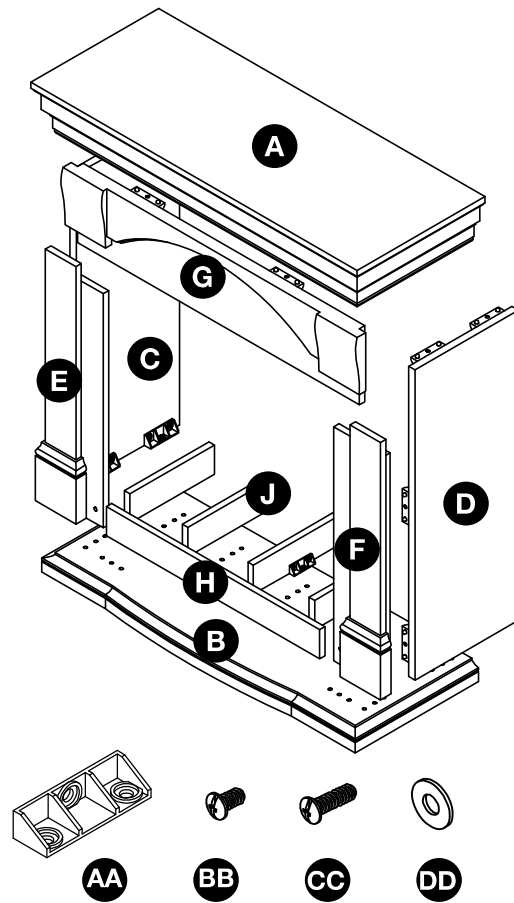
Para obtener piezas de repuesto, llame a nuestro departamento de servicio al cliente al 1-877-447-4768, de 8:30 a. m. a 4:30 p. m., hora estándar del este, de lunes a domingo. También puede contactarnos en [customerservice@ghpgroupinc.com](mailto:customerservice@ghpgroupinc.com).

### VFF3-26PHDX



PIEZA	DESCRIPCIÓN	CANT.	PIEZA N.º
A	Panel superior	1	80-01-243
B	Base	1	80-01-244
C	Panel latera	2	80-01-245
D	Panel frontal izquierdo	1	80-01-246
E	Panel frontal derecho	1	80-01-247
F	Panel frontal superior	1	80-01-248
G	Panel de plataforma	1	80-01-249
H	Panel de soporte	4	80-01-250
AA	Conector	22	80-06-443
BB	Perno corto	66	80-06-444
CC	Perno largo	6	80-06-445
DD	Arandela	6	80-06-446
EE	Taco de madera	4	80-01-260

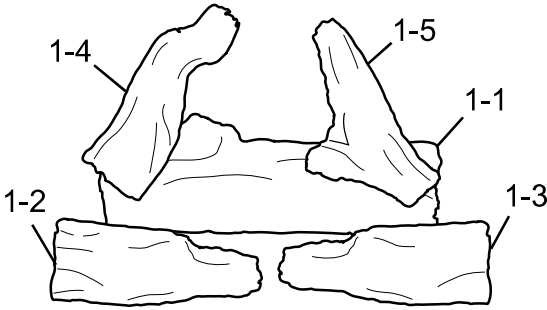
### VFF3-26PHDZ



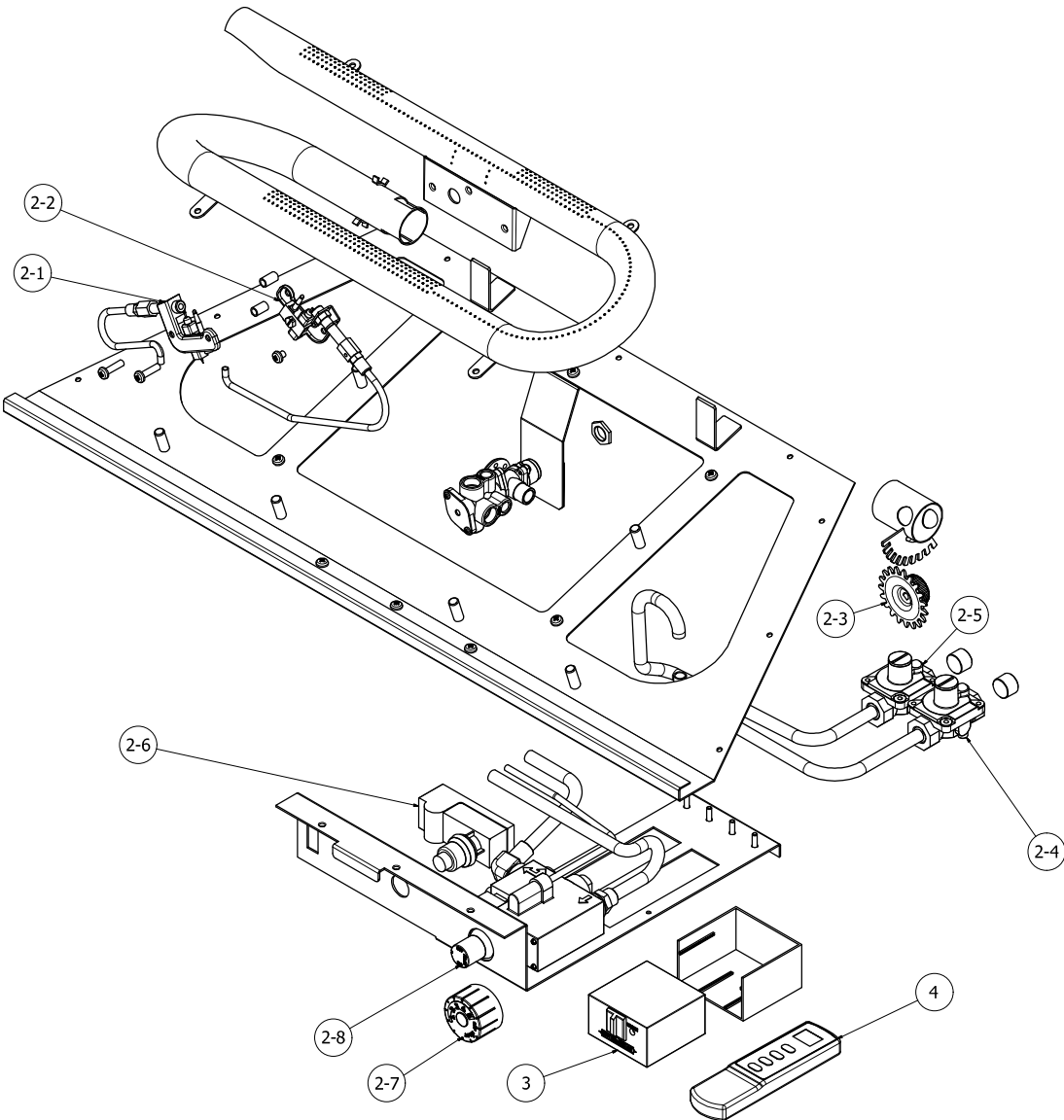
PIEZA	DESCRIPCIÓN	CANT.	PIEZA N.º
A	Panel superior	1	80-01-251
B	Base	1	80-01-252
C	Panel lateral izquierdo	1	80-01-253
D	Panel lateral derecho	1	80-01-253
E	Panel frontal izquierdo	1	80-01-254
F	Panel frontal derecho	1	80-01-255
G	Panel frontal superior	1	80-01-256
H	Panel de plataforma	1	80-01-257
J	Panel de soporte	4	80-01-258
AA	Conector	22	80-06-443
BB	Perno corto	66	80-06-444
CC	Perno largo	2	80-06-445
DD	Arandela	2	80-06-446

# LISTA DE PIEZAS DE REPUESTO

Para obtener piezas de repuesto, llame a nuestro departamento de servicio al cliente al 1-877-447-4768, de 8:30 a. m. a 4:30 p. m., hora estándar del este, de lunes a domingo. También puede contactarnos en [customerservice@ghpgroupinc.com](mailto:customerservice@ghpgroupinc.com).



VFF3-26PHDX, VFF3-26PHDZ



## LISTA DE PIEZAS DE REPUESTO

---

ARTÍCULO N.º	DESCRIPCIÓN	CANT.	PIEZA N.º VFF3-PH26(DX,DZ)
1	Juego de leños (completo)	1	700-S1018
1-1	Leño 1	1	700-S1018-01
1-2	Leño 2	1	700-S1018-02
1-3	Leño 3	1	700-S1018-03
1-4	Leño 4	1	700-S1018-04
1-5	Leño 5	1	700-S1018-05
2	Ensamble del quemador (completo)	1	700-S2000
2-1	Piloto ODS: GN	1	GZ20-30B
2-2	Piloto ODS: PL	1	GZ20-29B
2-3	Perilla selectora	1	GZ20-17
2-4	Regulador, (GN) Gas natural de 12,44 milibares	1	GR-130B2-GHP
2-5	Regulador, (PL) Propano líquido de 24,88 milibares	1	GR-130A2-GHP
2-6	Módulo de encendido	1	GZ20-32a
2-7	Válvula de control, EUROSIT 360	1	0630560
2-8	Válvula de control	1	N/A

## ACCESORIOS

---

**AVISO:** Pueden no estar disponibles todos los accesorios para todos los modelos de chimenea.

**JUEGO DE SOPLADOR CONTROLADO POR TERMOSTATO - GFB100** Para todos los modelos. Proporciona mejor distribución del calor. Hace más eficiente a la chimenea. Se enciende y se apaga automáticamente según sea necesario.

## **GARANTÍA**

---

### **GARANTÍA LIMITADA:**

Esta garantía limitada se extiende al comprador minorista original de este calentador y cubre cualquier defecto en los materiales y la mano de obra por un período de dos (2) años a partir de la fecha de venta minorista. GHP Group, Inc., a su elección, proporcionará piezas de repuesto o reemplazará o reparará la unidad, cuando se devuelva correctamente al minorista donde se compró o a uno de nuestros centros de servicio según las indicaciones de GHP Group, Inc., dentro de dos (2) años desde la compra minorista. (Los gastos de envío, mano de obra, etc. corren a cargo del comprador).

### **DEBERES DEL PROPIETARIO:**

Este electrodoméstico de calefacción debe operarse de acuerdo con las instrucciones escritas provistas con este calentador. Esta garantía no excusará al propietario de mantener adecuadamente este calentador de acuerdo con las instrucciones escritas provistas con este calentador. Se debe mantener un registro del recibo de venta, cheque cancelado o pago para verificar la fecha de compra y establecer el período de garantía. La caja original debe conservarse en caso de devolución según la garantía de la unidad.

### **LA GARANTÍA NO CUBRE:**

1. Daños resultantes del uso de combustible inadecuado.
2. Daños causados por mal uso o uso contrario al manual del propietario y las pautas de seguridad.
3. Daños causados por falta de mantenimiento normal.
4. Uso de piezas o accesorios no estándar.
5. Daños causados durante el tránsito. Los gastos de flete de las piezas o calentadores en garantía hacia y desde la fábrica serán responsabilidad del propietario.

Esta garantía no implica ni asume ninguna responsabilidad por daños resultantes producto del uso, uso indebido o la falta de mantenimiento de rutina de este electrodoméstico de calefacción. Es posible que se cobre una tarifa de limpieza y el costo de las piezas por fallas en el electrodoméstico provocadas por la falta de mantenimiento. Esta garantía no cubre reclamaciones que no involucren la mano de obra o materiales defectuosos. LA FALTA DE REALIZACIÓN DE MANTENIMIENTO GENERAL (INCLUIDA LA LIMPIEZA) ANULARÁ ESTA GARANTÍA.

ESTA GARANTÍA LIMITADA SE OTORGA AL COMPRADOR EN LUGAR DE TODAS LAS DEMÁS GARANTÍAS. EXPRESAS O IMPLÍCITAS, INCLUIDAS, ENTRE OTRAS, LAS GARANTÍAS DE COMERCIALIZACIÓN O IDONEIDAD PARA UN FIN DETERMINADO. EL RECURSO PROVISTO EN ESTA GARANTÍA ES EXCLUSIVO Y REEMPLAZA A TODOS LOS DEMÁS RECURSOS. EN NINGÚN CASO GHP GROUP, INC. SE HACE RESPONSABLE DE DAÑOS ACCIDENTALES O RESULTANTES.

Algunos estados no permiten limitaciones sobre el tiempo de duración de una garantía implícita, de modo que la limitación antes descrita puede que no se aplique en su caso. Algunos estados no permiten la exclusión o limitación de los daños accidentales o resultantes, de modo que la limitación o exclusión anterior puede no aplicarse en su caso.