

# VERSARAC PRO

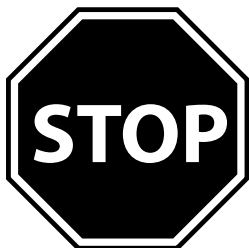
## Adjustable Overhead Storage Rack

### INSTALLATION GUIDE



#### **WARNING: Excessive weight hazard!**

Use two or more people to move, assemble, or install VersaRac Pro to avoid back injury. Do not leave children unattended near VersaRac Pro. High risk of tipping if racking is installed incorrectly: Follow instructions carefully and routinely inspect your system to ensure all components are fastened securely. For assistance, call 1.877.306.8930; e-mail at [info@newageproducts.com](mailto:info@newageproducts.com).



#### **ATTENTION:**

Is your VersaRac Pro damaged? Need help or spare parts? For fastest service, contact NewAge Products at 1-877-306-8930 or [support@newageproducts.com](mailto:support@newageproducts.com). Do not return to the retailer.

# Index

---

<b>MANUFACTURER WARRANTY</b>	3
<b>Unpacking</b>	4
<b>Product Inspection</b>	4
<b>Tools Needed</b>	4
<b>Safety Warning</b>	5
<b>Weight Capacity</b>	6
<b>VersaRac Pro Installation Options</b>	7
<b>Parts Supplied and Spare Parts List</b>	8
<b>Plan the Installation Location</b>	10
<b>Installing Ceiling Brackets &amp; Vertical Posts</b>	13
<b>Installing Perimeter Beams</b>	16
<b>4ft Cross Support and Wire Grid Assembly</b>	18
<b>Installing two VersaRac Pro Horizontally</b>	19
<b>Installing two VersaRac Pro Vertically</b>	20
<b>Installation Tips</b>	22

---

# NEWAGE PRODUCTS INC. VERSARAC PRO MANUFACTURER WARRANTY

## PROOF OF PURCHASE IS REQUIRED TO OBTAIN WARRANTY SERVICE.

Please have the following information available when you call our customer service team:

- Name, address and telephone number
- Product Name / SKU Number
- A clear, detailed description of the problem
- Proof of purchase including order number

## Register your NewAge Products purchase online for quicker customer assistance and access to exclusive benefits

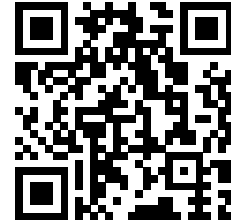
Visit [www.newageproducts.com/register/](http://www.newageproducts.com/register/)

### Warranty Claim

For warranty service please contact NewAge Products at 1-877-306-8930; or [support@newageproducts.com](mailto:support@newageproducts.com)

Please review all warranty details below, prior to contacting NewAge Products for a claim.

Scan the QR code on the right to access our support page or visit [www.newageproducts.com/contact-us/](http://www.newageproducts.com/contact-us/)



Scan this QR code with the camera on your mobile device to visit the NewAge Products Support Hub

[www.newageproducts.com/support-hub/](http://www.newageproducts.com/support-hub/)

## LIFETIME LIMITED WARRANTY

### WHAT IS COVERED

When this product is installed, operated and maintained according to the instructions attached to or furnished with the product, NewAge Products Inc. will replace the defective product or parts if the part fails as a result of defective materials or workmanship for the warranty duration from the purchase date of the product.

### WHAT IS NOT COVERED

1. Service calls to correct the installation of any NewAge products or to instruct you how to use or install them.
2. Damage resulting from improper handling, or products damaged by accident, misuse, abuse, fire, flood, improper installation, acts of God, neglect, corrosion, modification or mishandling.
3. Products damaged by improperly loading beyond the specified maximum weight capacity outlined in the instructions provided with the product.
4. Repairs or replacement when your product is used in other than normal, single-family household use, such as a commercial environment, or handled in anyway inconsistent with the installation instructions included with the product.
5. Cosmetic damage, including scratches, dings, dents or cracks in paint that do not affect the structural or functional capability of the product.
6. Surfaces damaged due to chemical interaction resulting in corrosion of paint or metal.
7. Replacement parts for NewAge products outside Canada and the United States.
8. Loss of product contents due to theft, fire, flood, accident or acts of God.
9. Shipping or freight fees to deliver replacement products or to return defective products.
10. Any labor costs during the limited warranty period.

### DISCLAIMER OF IMPLIED WARRANTIES

IMPLIED WARRANTIES, INCLUDING TO THE EXTENT APPLICABLE WARRANTIES OF MERCHANTABILITY OR FITNESS FOR A PARTICULAR PURPOSE, ARE EXCLUDED TO THE EXTENT LEGALLY PERMISSIBLE. ANY IMPLIED WARRANTIES THAT MAY BE IMPOSED BY LAW ARE LIMITED TO ONE YEAR, OR THE SHORTEST PERIOD ALLOWED BY LAW. THIS WARRANTY IS LIMITED TO THE ORIGINAL BUYER. Some states and provinces do not allow limitations on the duration of implied warranties of merchantability or fitness, so this limitation may not apply to you. This warranty gives you specific legal rights, and you also may have other rights that vary from state to state or province to province.

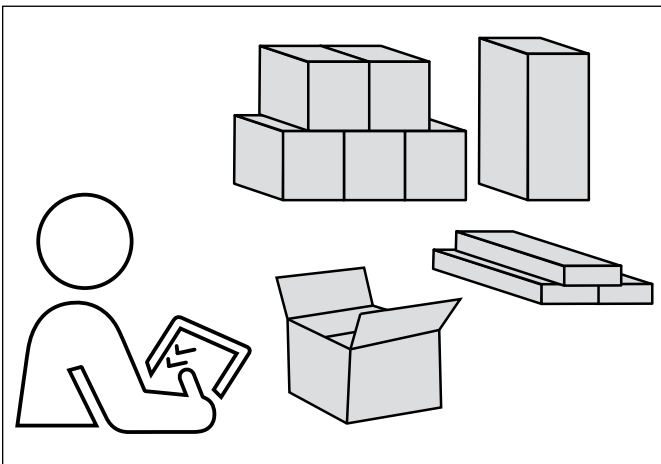
### LIMITATION OF REMEDIES; EXCLUSION OF INCIDENTAL AND CONSEQUENTIAL DAMAGES

YOUR SOLE AND EXCLUSIVE REMEDY UNDER THIS LIMITED WARRANTY SHALL BE PRODUCT REPAIR OR REPLACEMENT AT OUR DISCRETION AS PROVIDED HEREIN. NEWAGE SHALL NOT BE LIABLE FOR INCIDENTAL OR CONSEQUENTIAL DAMAGES. Some states and provinces do not allow the exclusion or limitation of incidental or consequential damages, so these limitations and exclusions may not apply to you. This warranty gives you specific legal rights, and you also may have other rights that vary from state to state or province to province.

# Unpacking

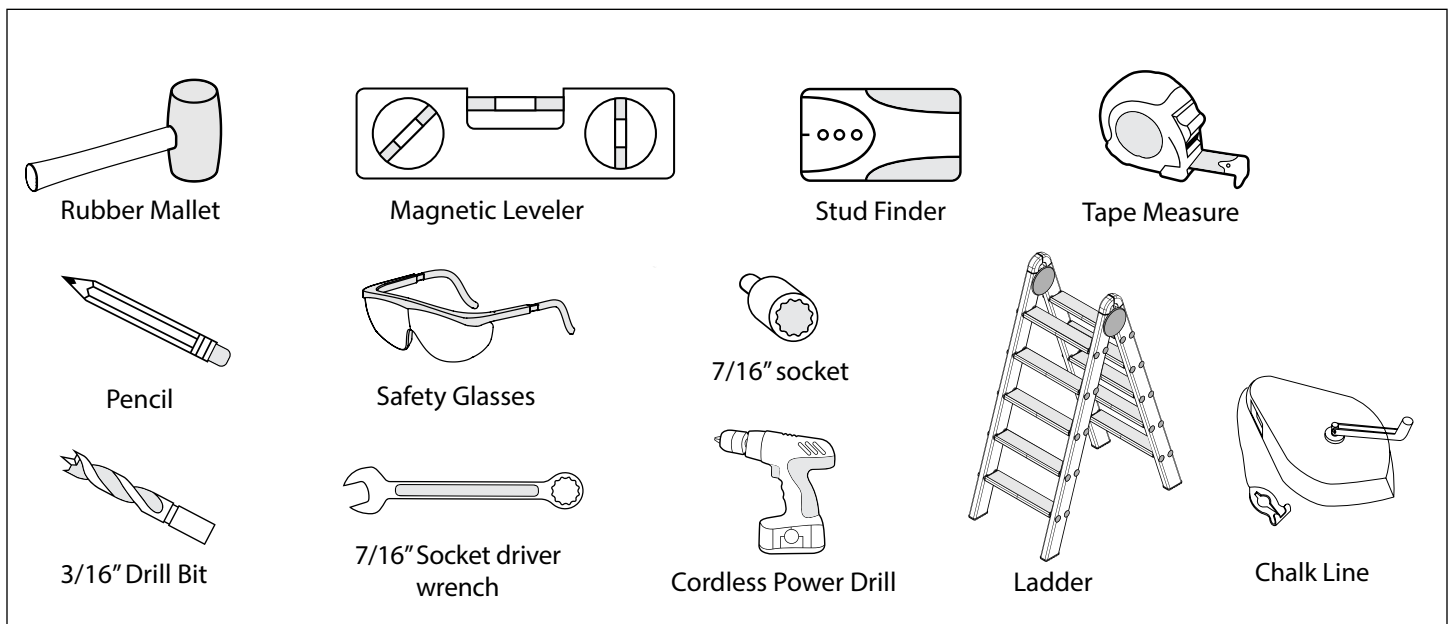
- Begin by placing the package on a covered flat surface.
- Remove all cardboard, foam packaging material and nylon bags.
- Dispose / recycle all packaging materials.
- Verify all the contents in the box and gather the required tools. See “Tools Needed” in the list below.

# Product Inspection



- Check to see all parts are received as per the order placed.
- Contact NewAge Products at 1-877-306-8930; for any missing parts.
- Inspect the products for any damages before starting the installation.
- Go through the installation instructions carefully before starting the installation.

# Tools Needed



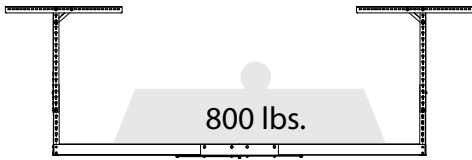
# Safety Warning

---

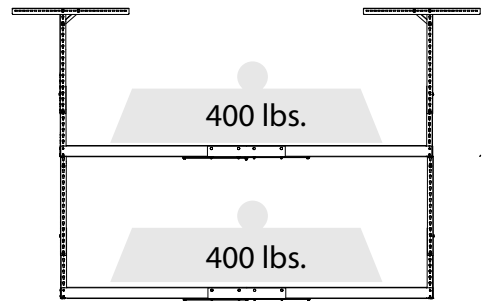
## PLEASE READ THIS FIRST

- 1. All VersaRac Pro units have a rated load capacity of 800 pounds, evenly distributed, using 3" lag bolt anchored into solid wood studs or supports capable of supporting such a load.**
- 2. If accessory hooks are purchased, weight capacities of the hooks must be included in the maximum load of 800 lbs per single VersaRac Pro Unit.**
- 3. Do not load more than 800lbs on to a VersaRac Pro. Live loads (people, pets, etc) may weigh less than the rated weight capacity, however will exert force on the rack beyond its rated capacity. As such, do not stand, jump or hang from your VersaRac Pro.**
- 4. VersaRac Pro units must be installed into structurally sound overhead studs or supports. NewAge Products Inc. makes no claim to the capacity or strength of the structure to which the units are mounted.**
- 5. NewAge Products Inc. can not be held liable for structure failure, or damage or injury resulting from structure failure.**
- 6. Always inspect the structure of the ceiling to ensure there is suitable supports. Ensure overhead supports are structurally strong enough to hold one or more VersaRac Pro's.**
- 7. VersaRac Pro is designed for installation into wooden ceiling studs. Do not attempt mounting to steel beams.**
- 8. Ensure all weight is distributed evenly on the rack. Place heavier objects near the vertical angle posts, and lighter objects in the center.**
- 9. Do not jump or climb on your VersaRac Pro.**
- 10. Routinely inspect your system to ensure all components are fastened securely.**

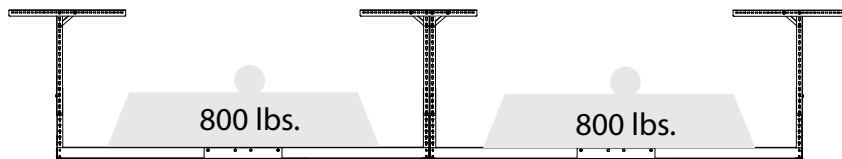
# Weight Capacity



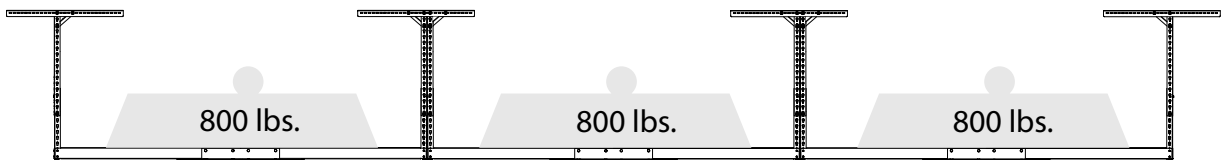
Single VersaRac Pro



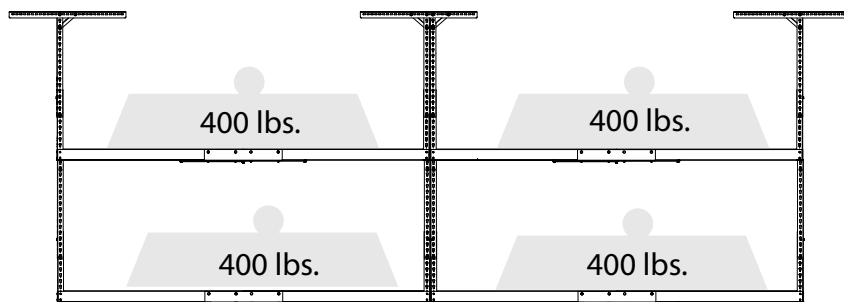
Two Linked VersaRac Pro  
Installed Vertically



Two Linked VersaRac Pro Installed Horizontally



Three Linked VersaRac Pro Installed Horizontally



Four Linked VersaRac Pro Installed Vertically & Horizontally

## SAFETY WARNING

All VersaRac Pro units have a rated load capacity of 800 pounds, evenly distributed, using 3" Lag Screws anchored into solid wood studs or supports capable of supporting such a load. Ensure all weight is distributed evenly on the rack. Place heavier objects near the perimeter frame and cross supports with lighter objects in the center.

# VersaRac Pro Installation Options

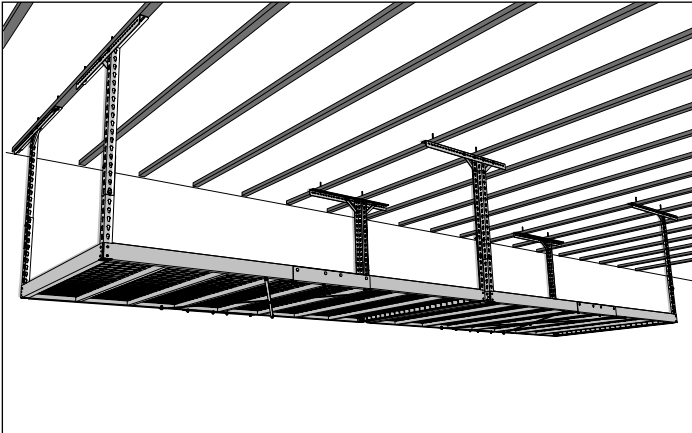


**Important information:** Please read entire manual before beginning installation.

- Do not exceed total weight capacity of VersaRac Pro.
- Plan layout and measure space for clearance and stud spacing before installing.
- Ensure VersaRac Pro is securely installed to suitable structure.

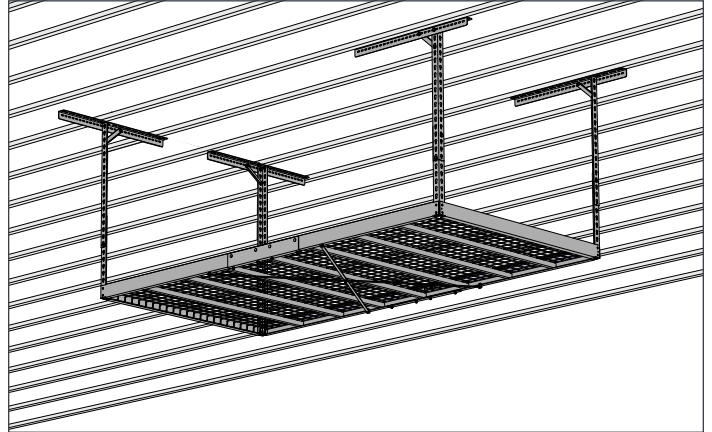
## Option B:

Installing two VersaRac Pro Horizontally. Refer to page 19 before starting full installation on page 10.



## Option A:

Single VersaRac Pro attached to the ceiling. See installation process start from Page 10.

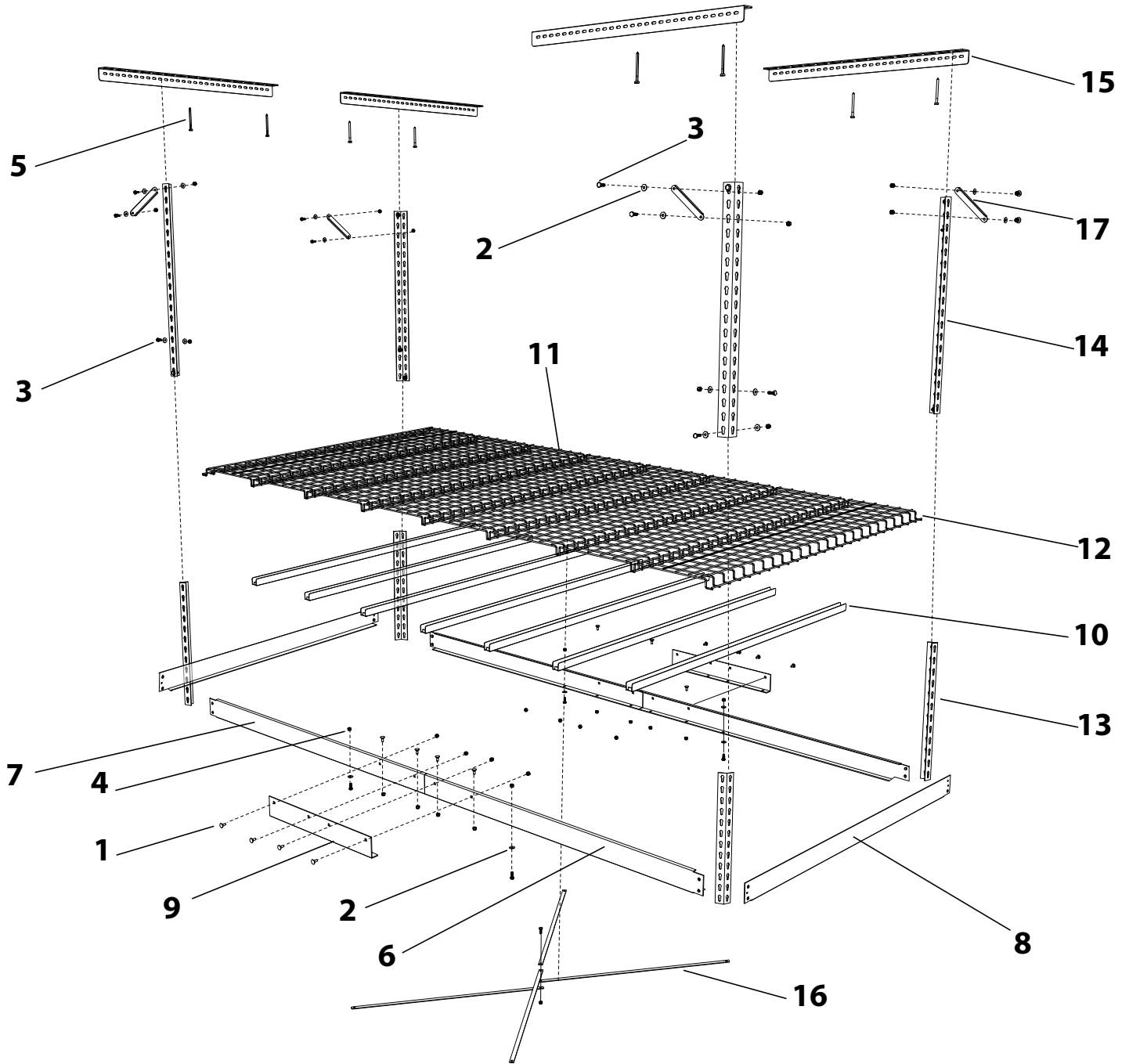


## Option C:

Installing two VersaRac Pro Vertically. Refer to page 20 before starting full installation on page 10.

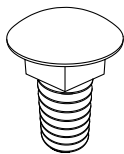


# Parts Supplied and Spare Parts List



# Parts Supplied and Spare Parts List

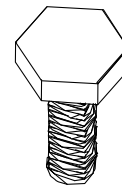
ITEM NO.	PART NUMBER	DESCRIPTION	INCLUDED QTY.	SPARE PART SKU	SPARE PART QTY.
1	H00001A-01	1/4-20x0.625in Carriage Bolt	16	40492	1
2	H00002A-01	1/4in Flat Washer	48	N/A	N/A
3	H00004A-01	1/4-20x0.75in Hex Bolt	25	40493	1
4	H00005A-01	1/4-20 Lock Nut	41	40491	1
5	H00009A-01	1/4 x 3in Lag Screw	8	40490	1
6	VR2-01.001A-01-XX	VersaRac Pro Right Hand Front Beam	2	N/A	N/A
7	VR2-01.002A-01-XX	VersaRac Pro Left Hand Front Beam	2	N/A	N/A
8	VR2-01.003A-01-XX	VersaRac Pro 4X8ft Side Beam	2	N/A	N/A
9	VR2-01.005A-01-XX	Front L Joining Bracket	2	N/A	N/A
10	VR2-01.006A-01-XX	VersaRac Pro 4X8ft 'U' Shaped Grid Supports	7	41287	1
11	VR2-01.007A-01-XX	VersaRac Pro 4X8ft Middle Wire Grid	6	N/A	N/A
12	VR2-01.008A-01-XX	VersaRac Pro 4X8ft End Wire Grid	2	N/A	N/A
13	VR2-01.010A-01-XX	VersaRac Pro 18in Vertical Post	4	41286	4 of each Post
14	VR2-01.011A-01-XX	VersaRac Pro 27in Vertical Post	4		
15	VR2-01.012A-01-XX	VersaRac Pro Ceiling Bracket	4	41288	1
16	WSH-01.010A-01-XX	4ft Cross Supports	4	N/A	N/A
17	VR2-01.013A-01-XX	VersaRac Pro Sway Bracket	4	N/A	N/A



1/4-20x0.625in  
Carriage Bolt



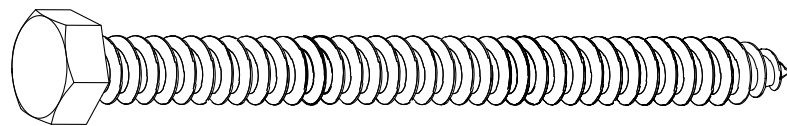
1/4in Flat Washer



1/4-20x0.75in  
Hex Bolt



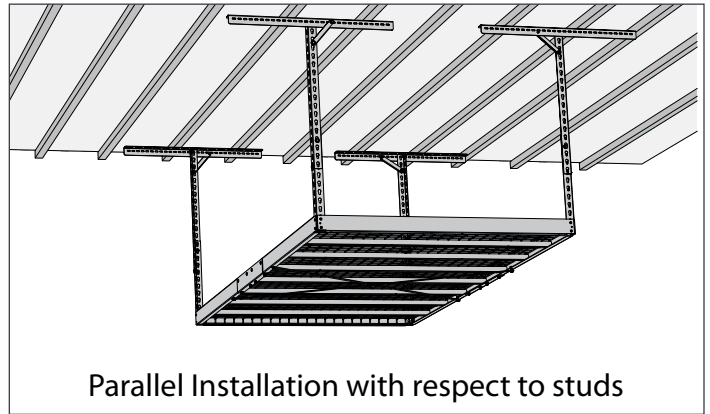
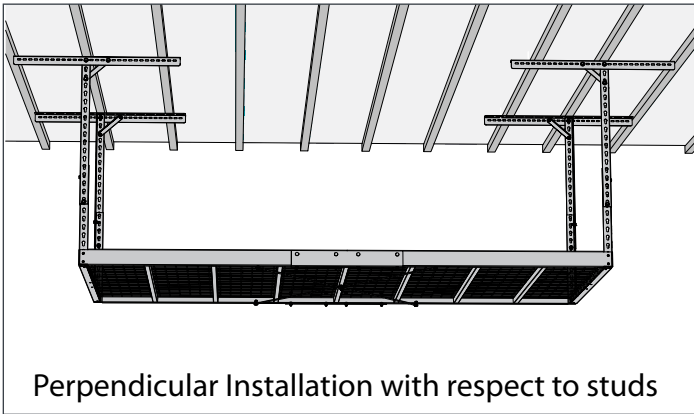
1/4-20 Lock Nut



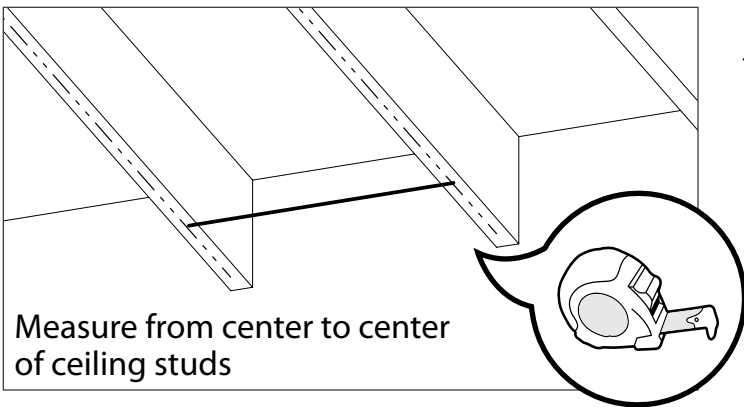
1/4 x 3in Lag Screw

# Plan the Installation Location

**i** Determine if the VersaRac Pro will be installed either parallel or perpendicular to the ceiling studs.

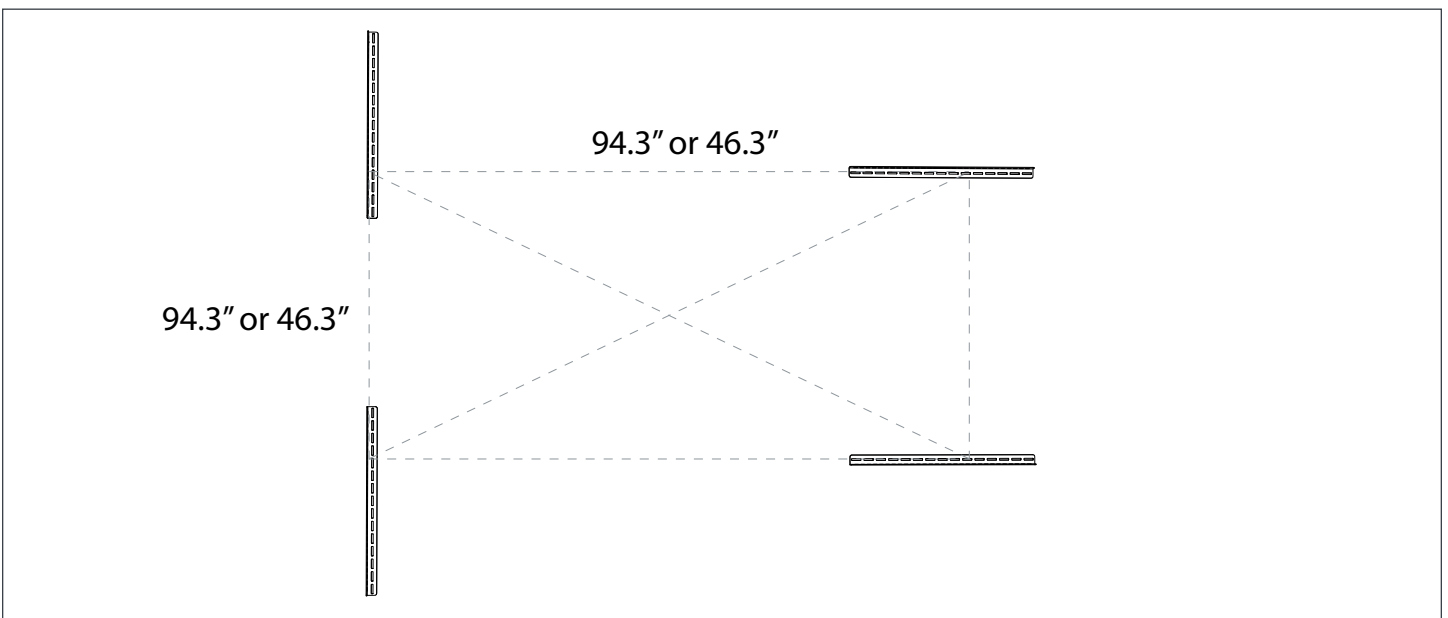


**i** Check the spacing of your ceiling studs to ensure that they will work for the size and direction of your VersaRac Pro install.



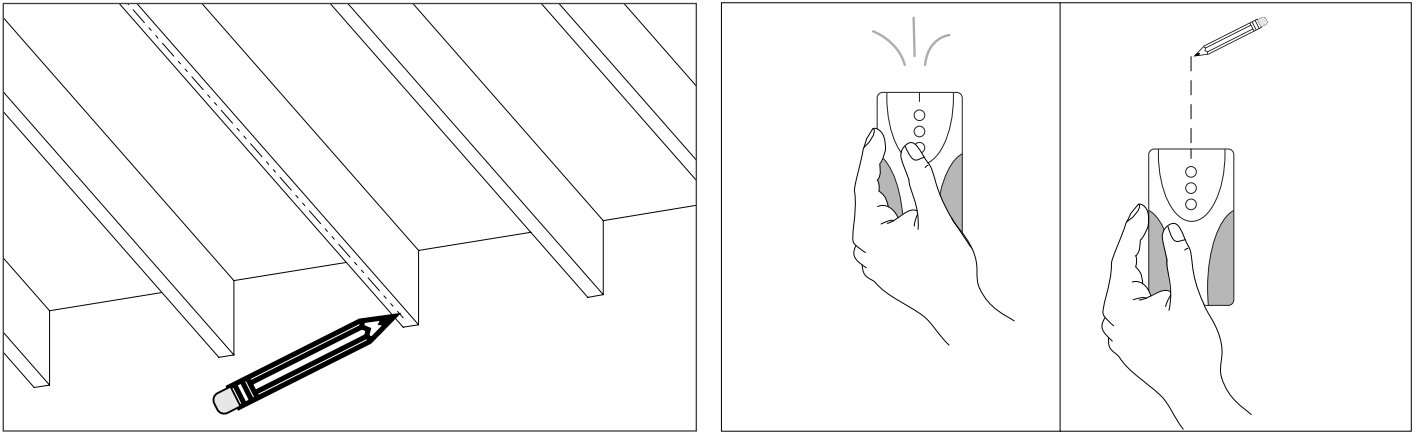
**NOTE:** If the spacing of your studs are irregular and exceed 28 inches or the ceiling brackets are not aligning to the ideal position, you will need to install engineered studs. Please refer to "Installing a stud hanger" on page 22 to install a ceiling stud in the desired position.

**i** Ceiling brackets can be installed either parallel or perpendicular to the VersaRac Pro. Start planning the location of the top ceiling brackets and vertical posts. See the recommendation below.

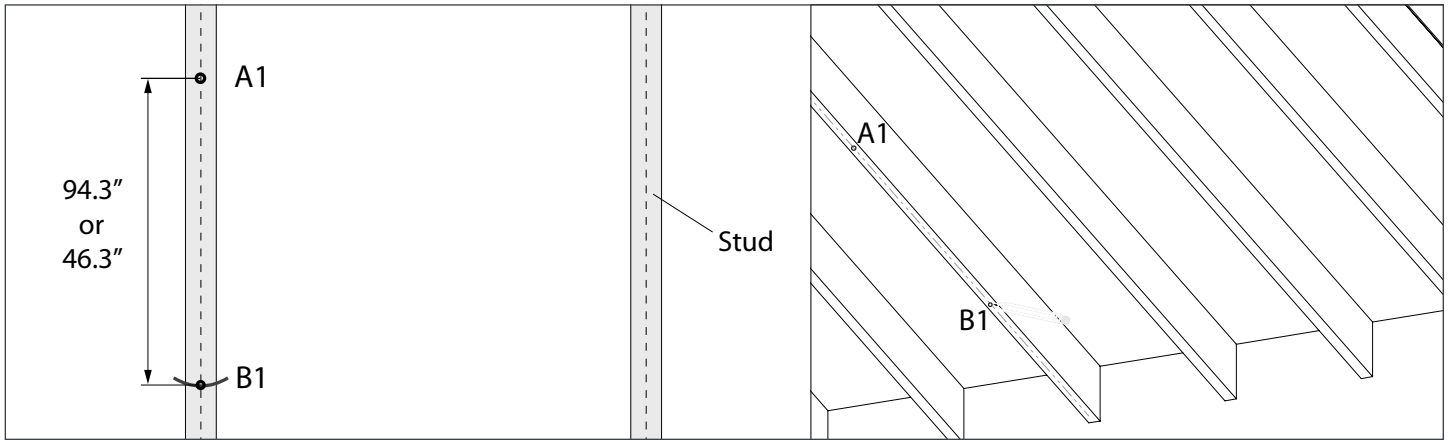


# Plan the Installation Location

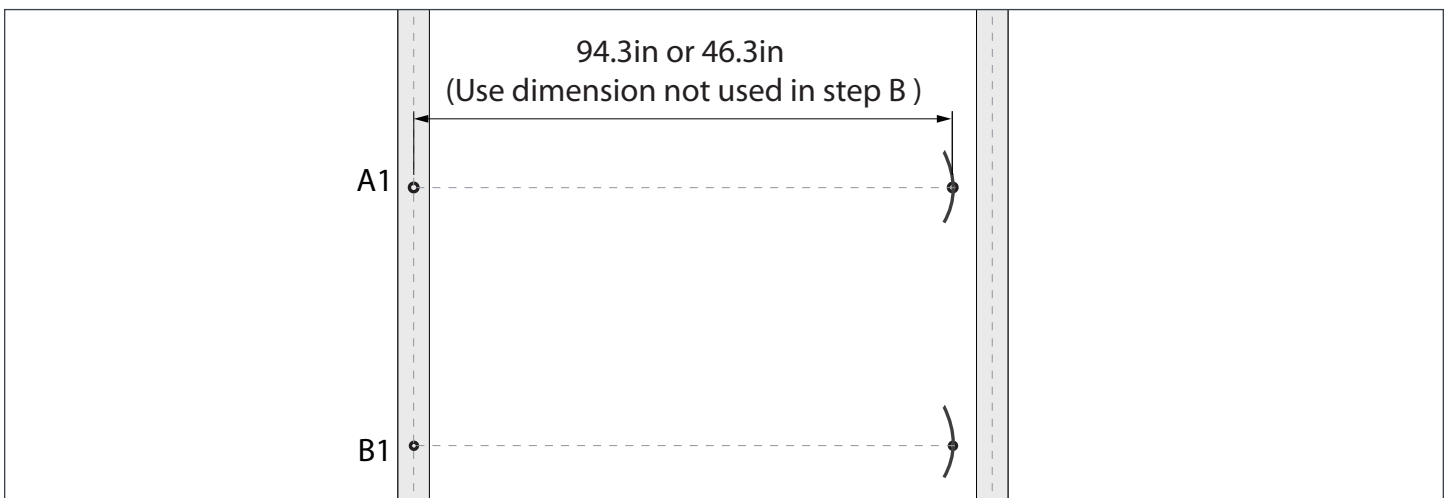
**A** Locate and mark the center of ceiling stud for top ceiling brackets and vertical posts. Use a stud finder to locate the studs if ceiling is finished with drywall.



**B** Plan where the VersaRac Pro would be installed and mark Points A1 and B1 on the center of a stud, 94.3" or 46.3" apart depending on the orientation which you choose to install the VersaRac Pro. **NOTE:** Aligning the edge of the VersaRac Pro to the center of the stud is not required but it is recommended.



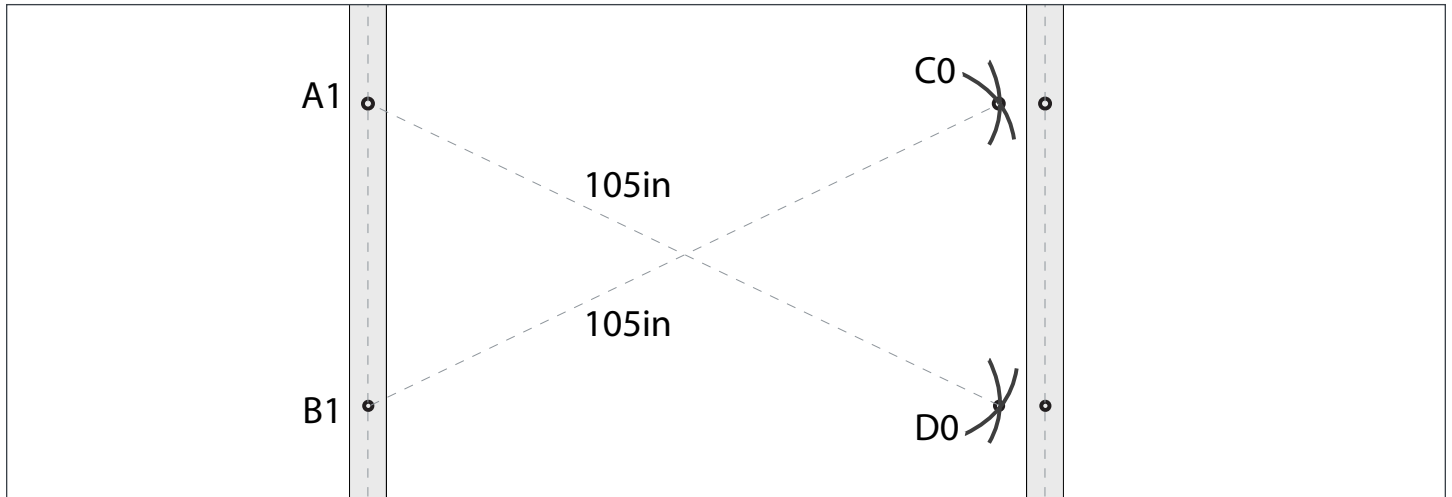
**C** Mark two curved lines 94.3" or 46.3" apart from Points A1 and B1 as shown. If 94.3" was measured in step B, then measure 46.3".



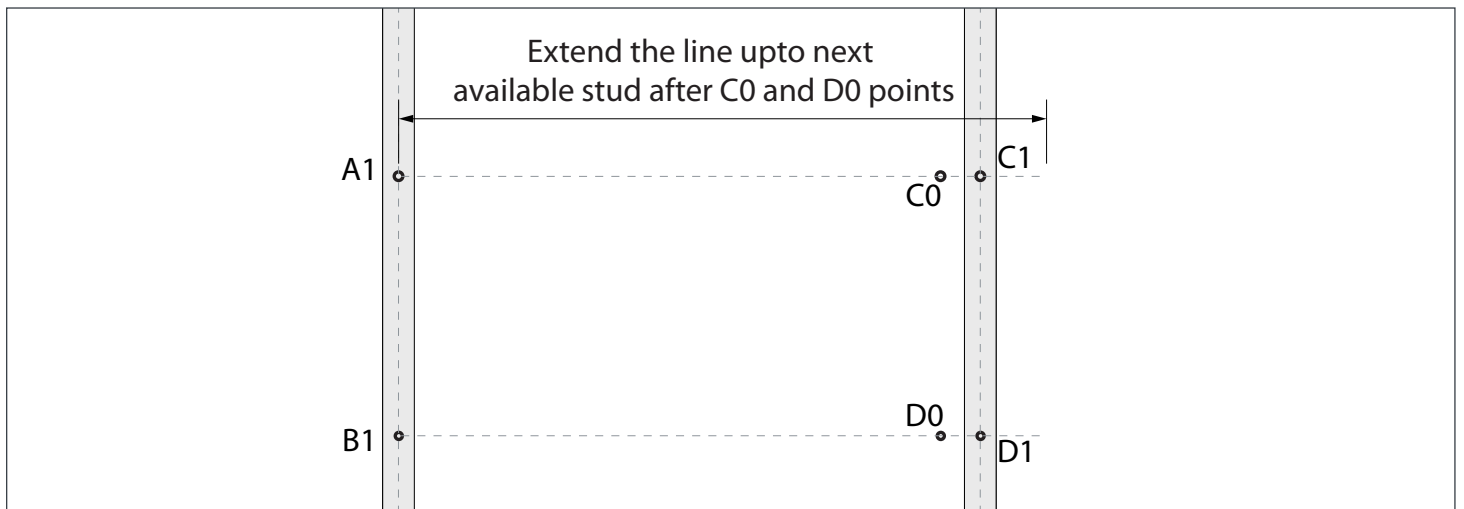
**NOTE:** Refer page 22 if required to install the Stud Hanger.

# Plan the Installation Location

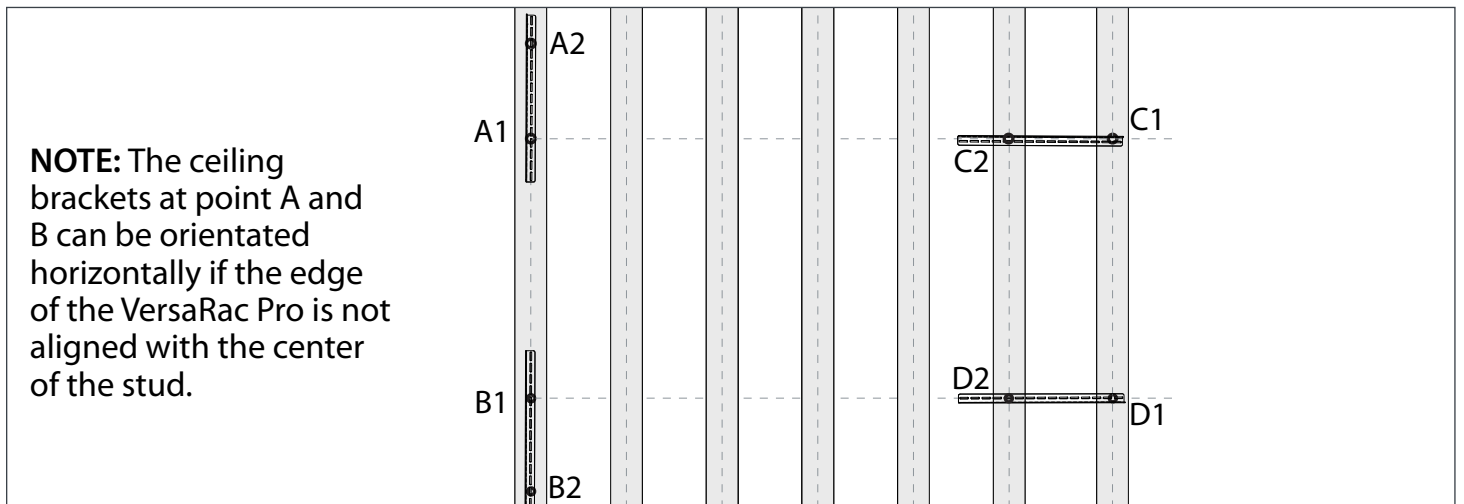
**D** Mark two curved lines 105in diagonally from Points A1 and B1 as shown. Mark point C0 and D0.



**E** Draw the line from A1 to C0 and extend the line to the center of the next stud and mark point C1. Repeat for point B1 to D0 and then mark point D1.



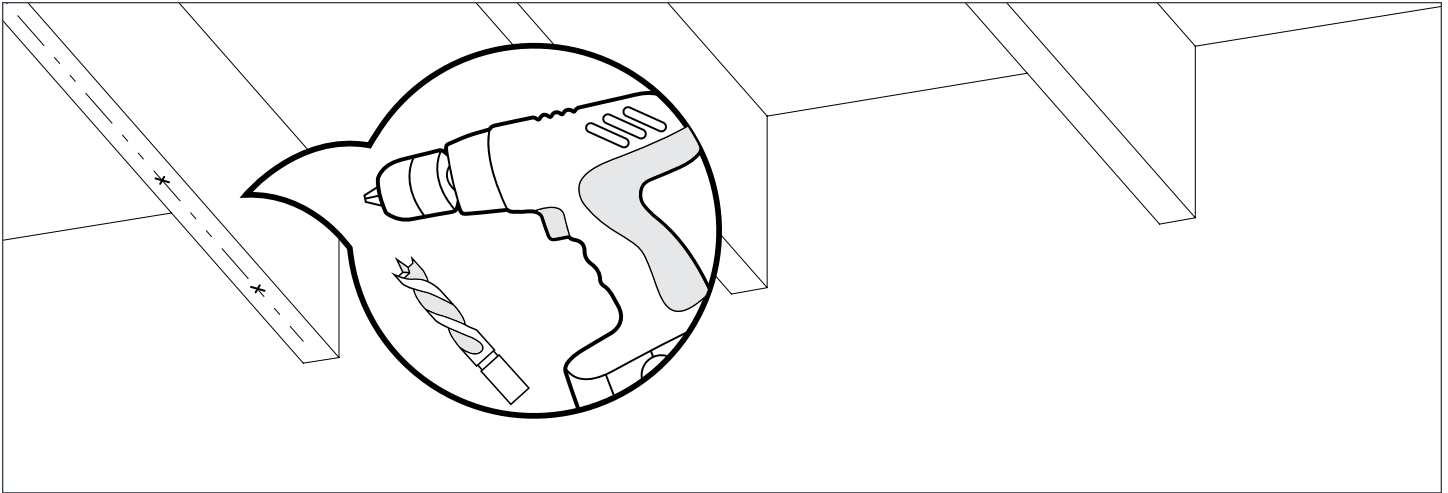
**F** Mark points A2, B2, C2 and D2 according to the positions which you have planned to install the ceiling brackets.



**NOTE:** The ceiling brackets at point A and B can be orientated horizontally if the edge of the VersaRac Pro is not aligned with the center of the stud.

# Installing Ceiling Brackets & Vertical Posts

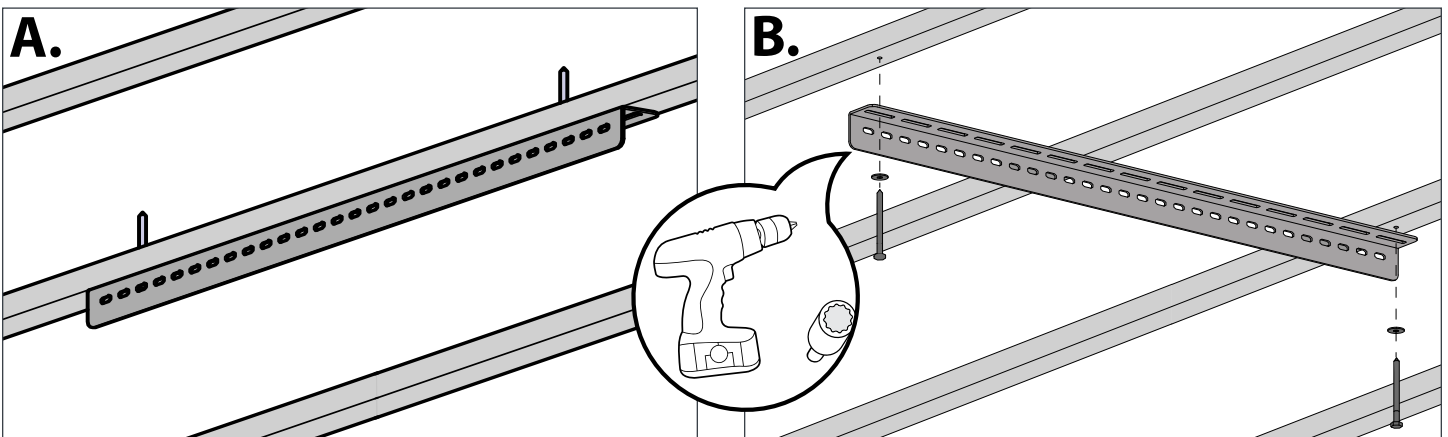
- 1** Pre drill 3.125in deep pilot holes into the ceiling stud using a 3/16" drill bit.



Install first top ceiling bracket, at the points marked in step F on page 12, using two lag screws and two flat washers.

**NOTE:**

- 2** **A.** If the location of the VersaRac Pro is on a stud, install the ceiling bracket parallel to the ceiling stud.  
**B.** If the location of the VersaRac Pro is not sitting exactly on a stud, install the ceiling bracket perpendicular to the two studs.

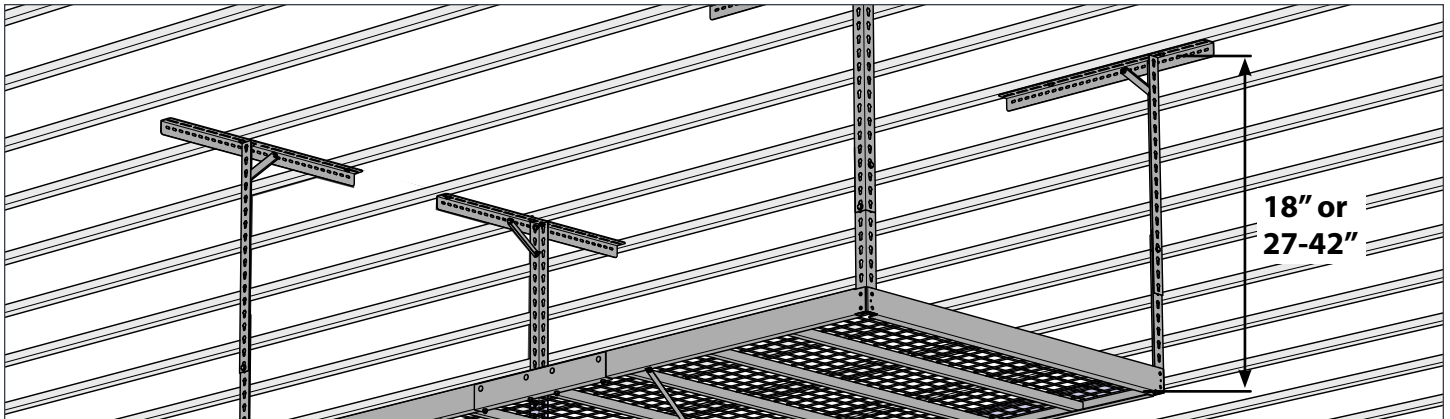


**i** **NOTE:**

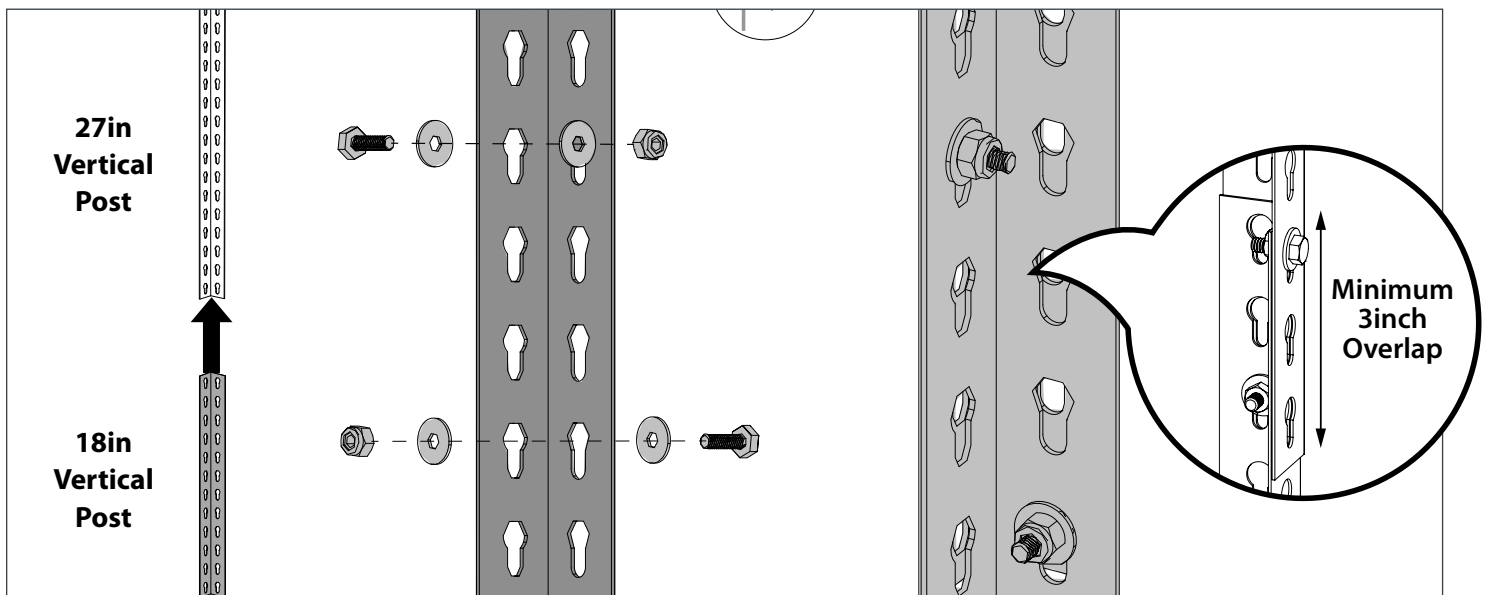
- Make sure the lag bolts are tight against the stud but **DO NOT** over-tighten the hex head tapping screws.
- If lag bolts are over-tightened, the screws could snap or the hole may be stripped.

# Installing Ceiling Brackets & Vertical Posts (Contd.)

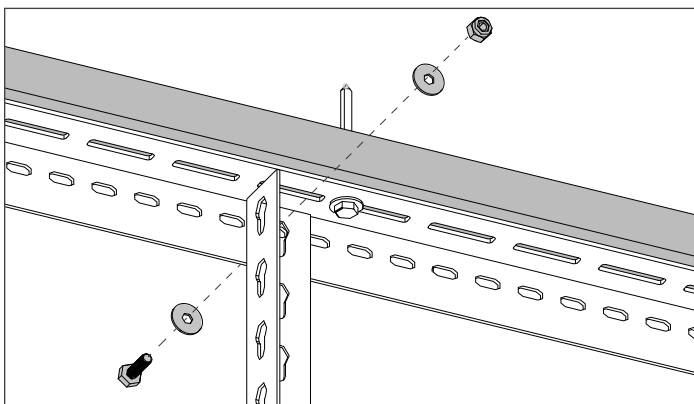
- 3** Determine the height of the VersaRac Pro from ceiling to bottom of the overhead rack.



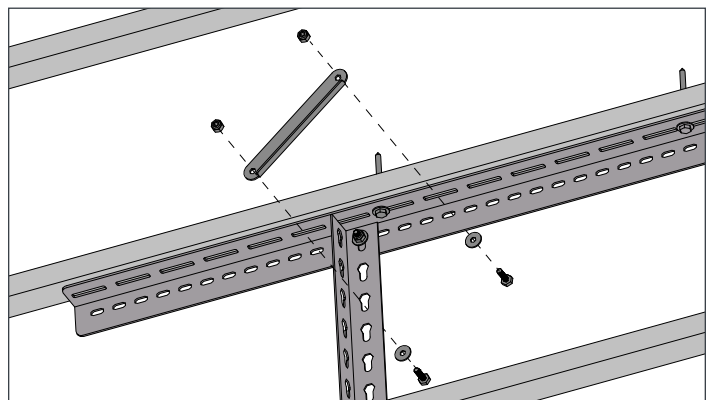
- 4** If desired height is greater than 18", bolt an 18" vertical post to a 27" vertical post using two hex bolts, two lock nuts and four flat washers. Use one hex bolt on each side of the vertical post with keyholes in the same direction.



- 5** Tighten the vertical posts using one hex bolt, two flat washers and one lock nut to the top ceiling brackets.

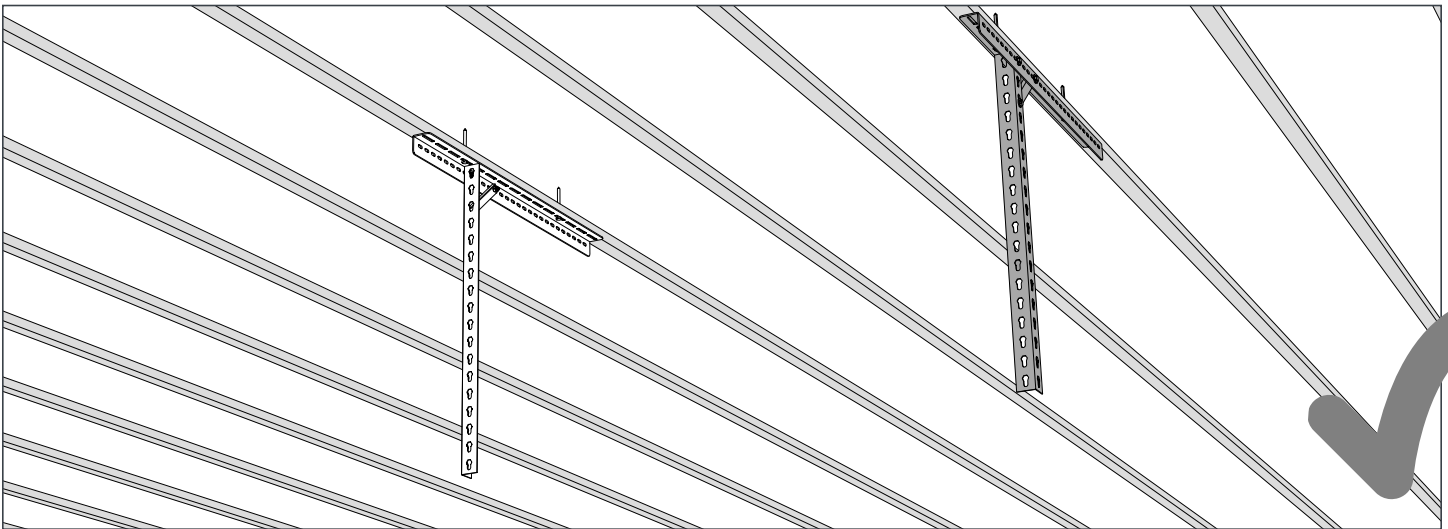
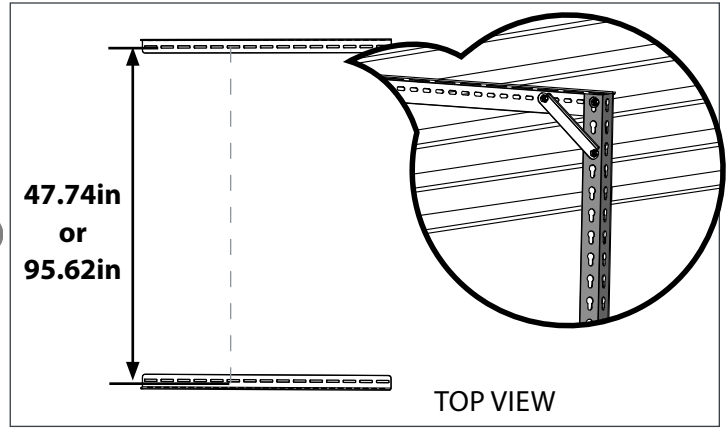
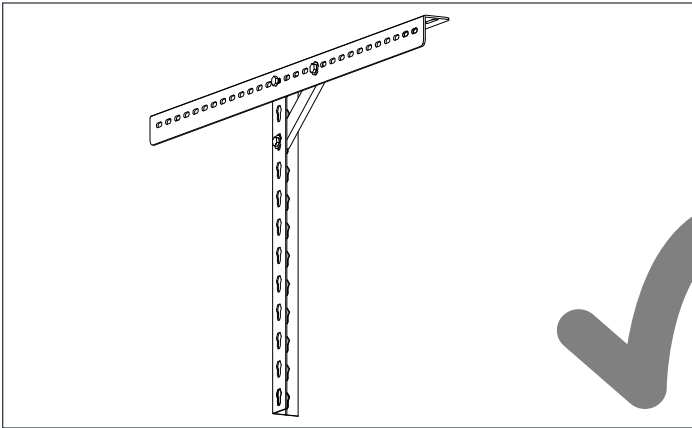


- 6** Install the sway bracket diagonally on to the ceiling bracket and top vertical post using two hex bolts, two flat washers and two lock nuts.

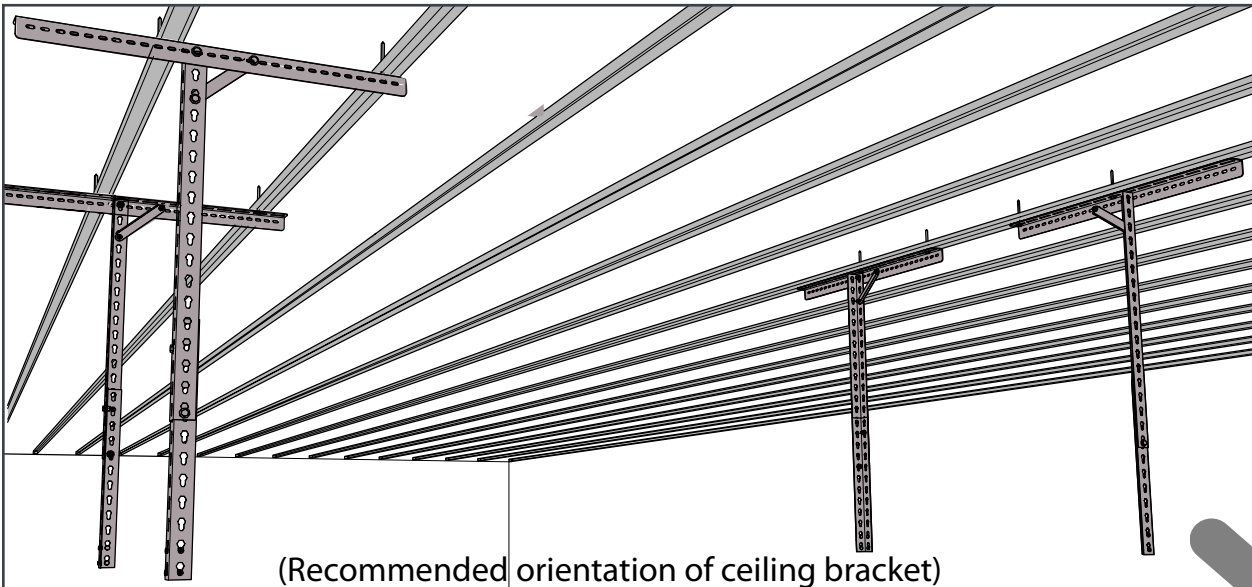


# Installing Ceiling Brackets & Vertical Posts (Contd.)

**7** Follow steps 1 to 6 and Install the second top ceiling bracket and vertical post. Ensure vertical posts installed have a distance of 47.74 or 95.62 inches.



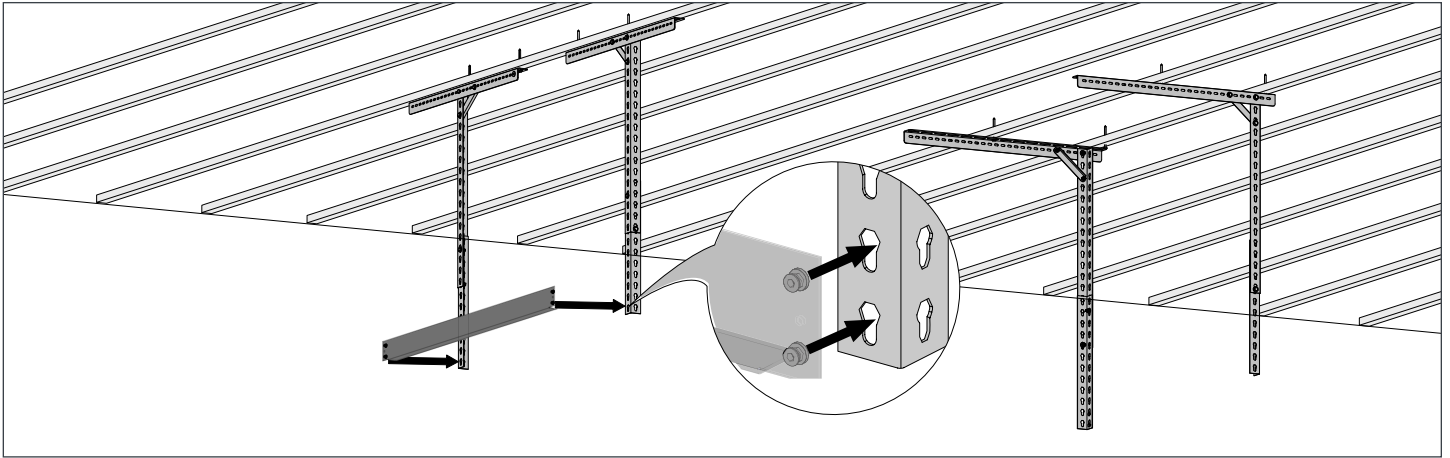
**8** Follow steps 1 to 7 for the remaining vertical posts.



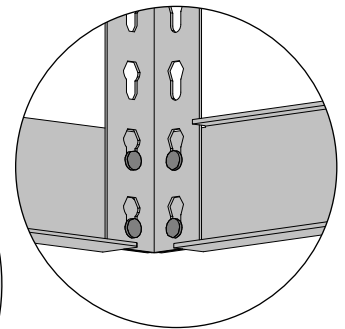
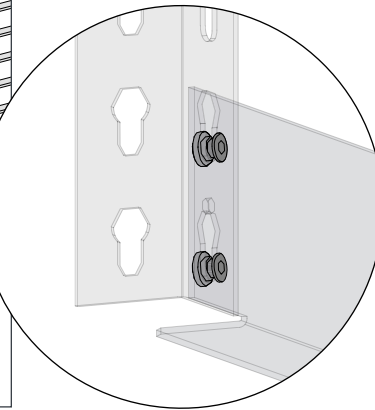
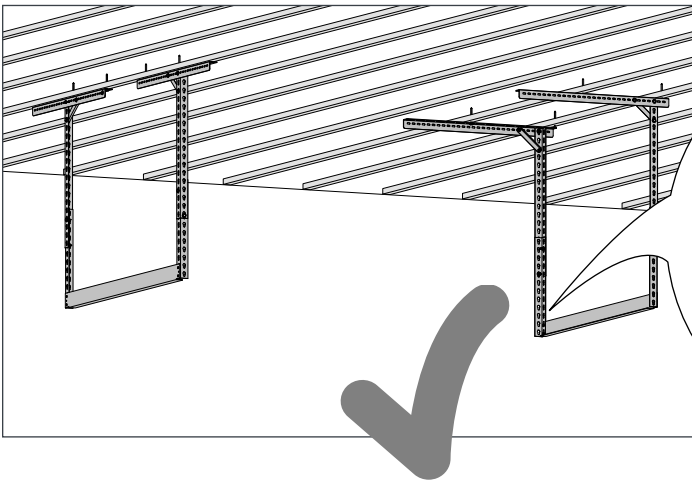
# Installing Perimeter Beams

**NOTE:** If installing two VersaRac Pro's vertically, please refer to page 20.

- 9** Insert the side beam by guiding the shoulder rivets on the side beam into the keyhole slots found in the vertical posts.

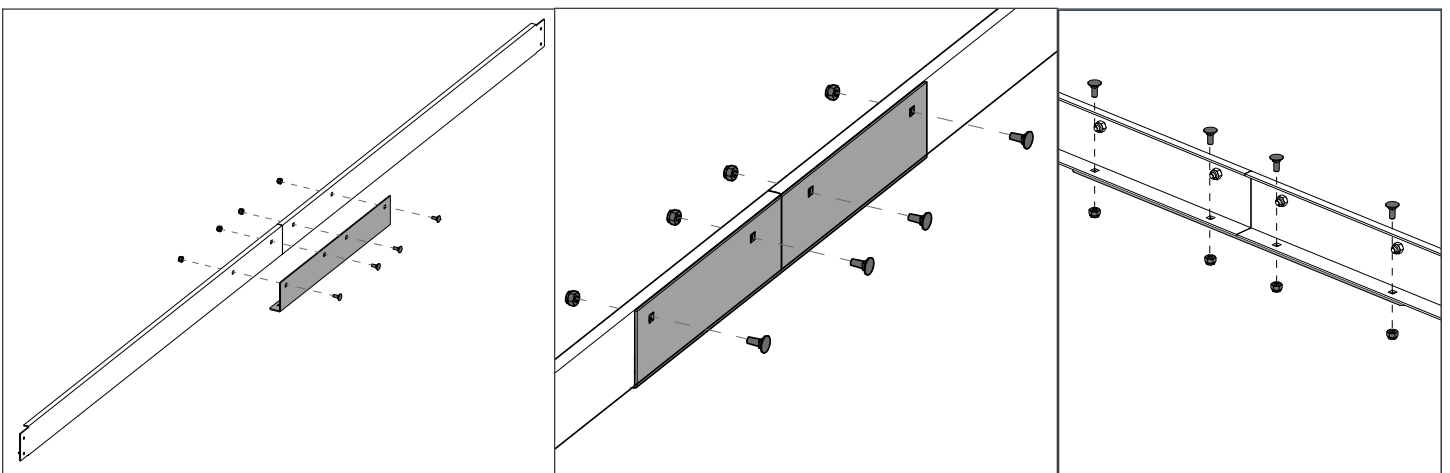


- 10** Similarly, follow step 9 on the opposite side.



**NOTE:** Ensure beams are installed at the same height on all the corners.

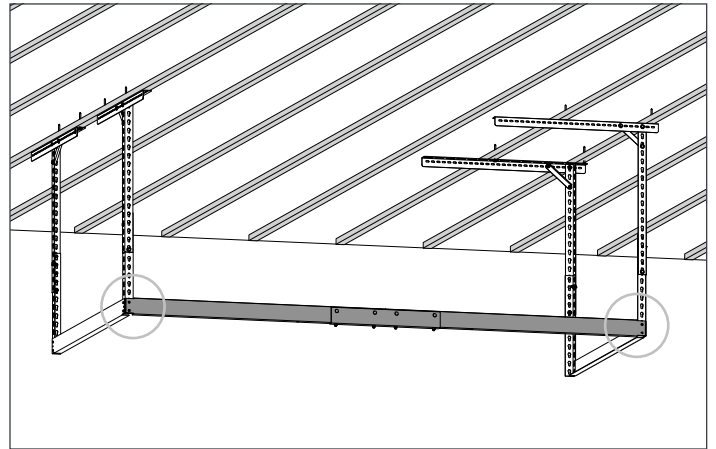
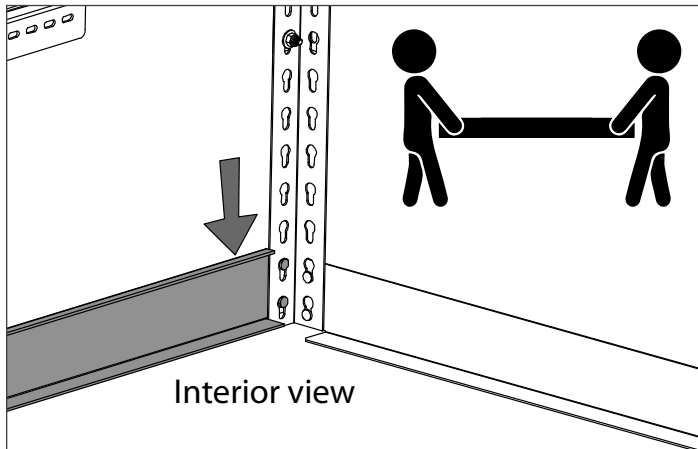
- 11** Bolt together the two front perimeter beams and front L Joining bracket with 8 carriage bolts and lock nuts.



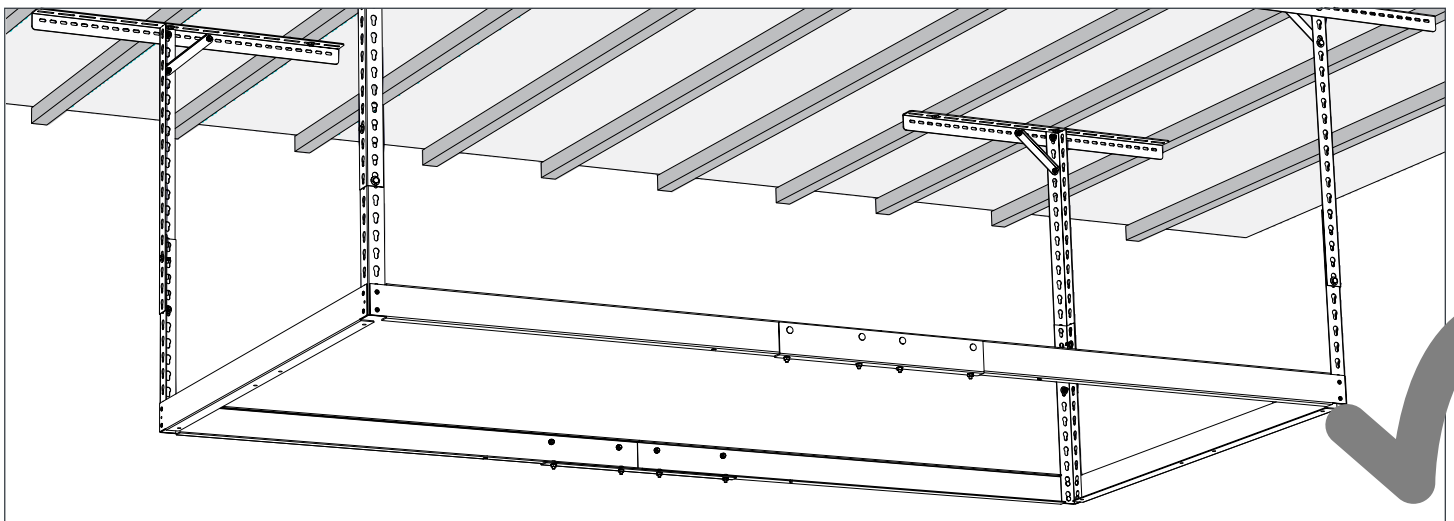
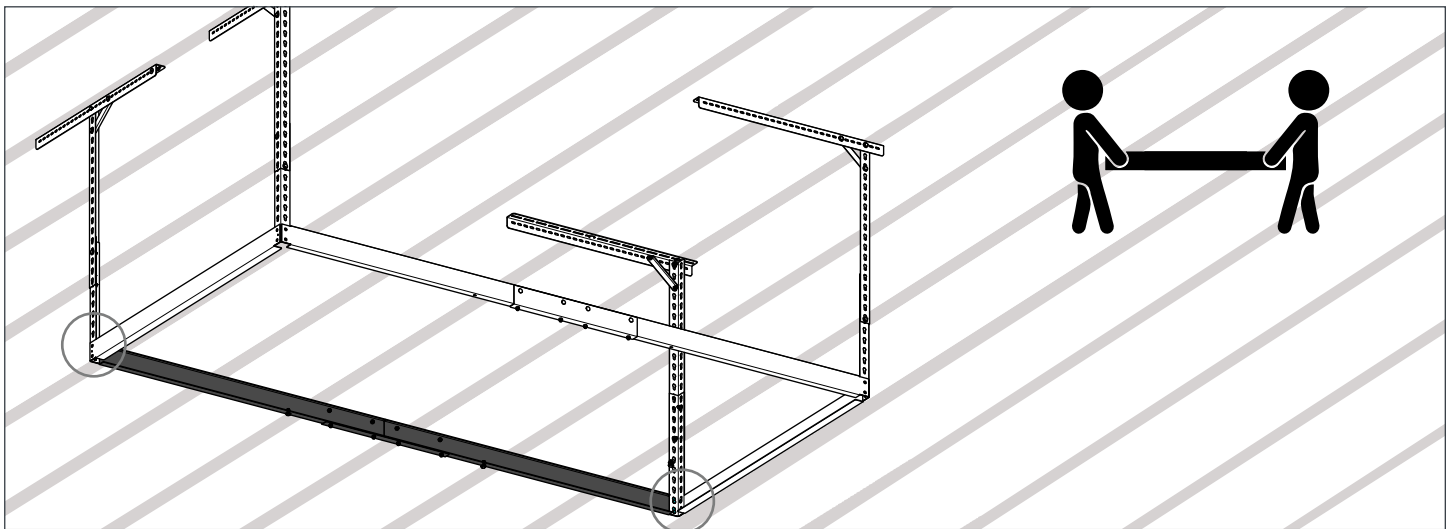
# Installing Perimeter Beams

**NOTE:** Installing perimeter beams will require two people.

- 12** Guide the shoulder rivets at the end of the front beams into the keyhole slots of the vertical posts.

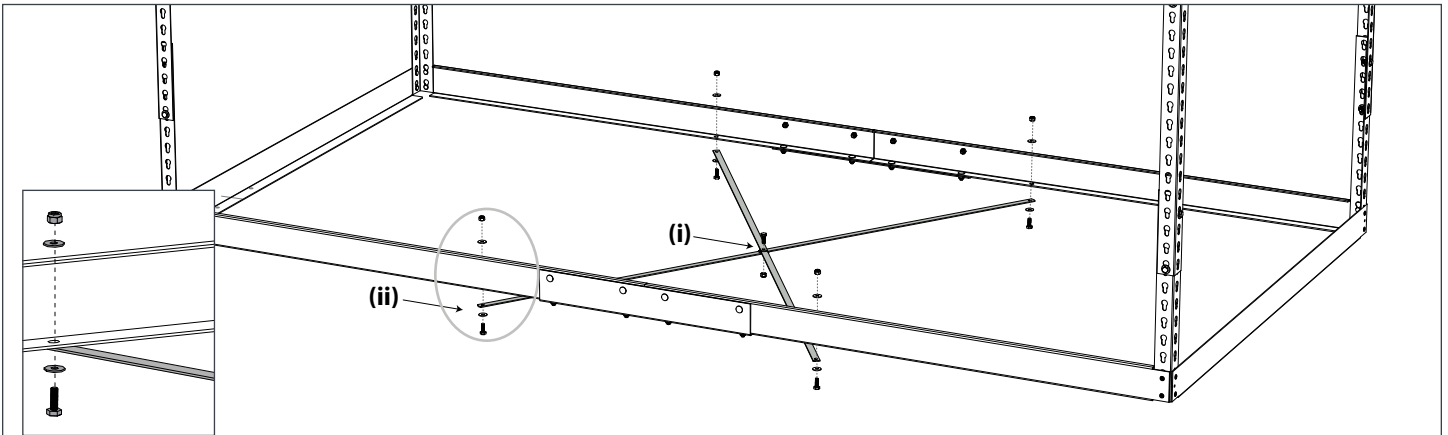


- 13** Repeat step 11 to 12 and install the horizontal rear assembly.

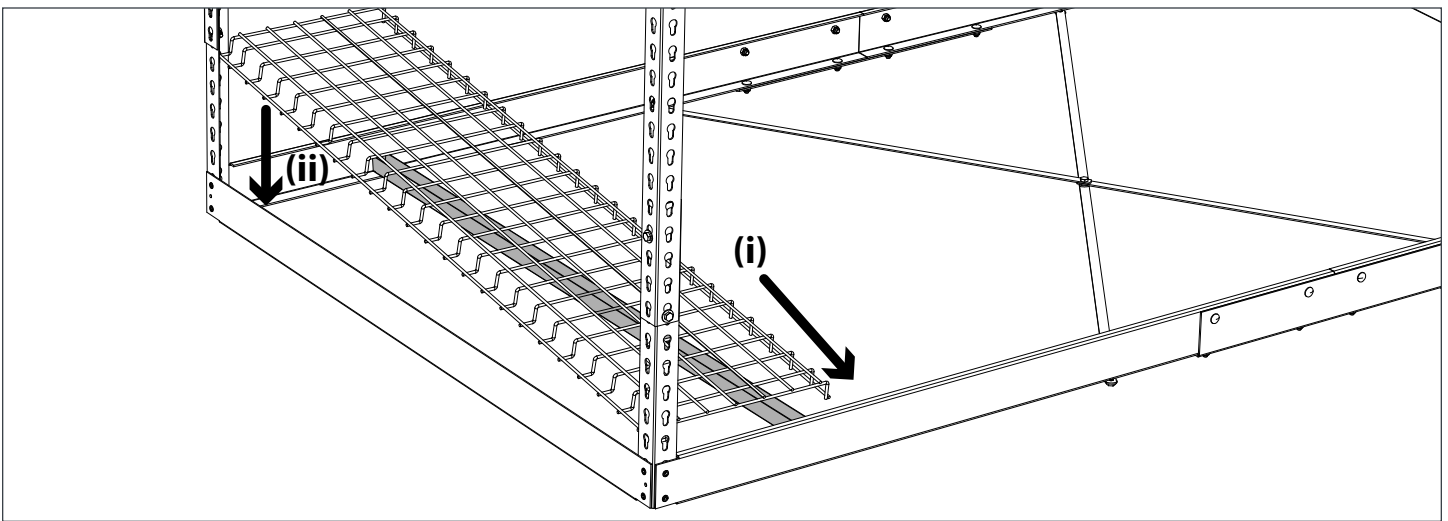


# 4ft Cross Support and Wire Grid Assembly

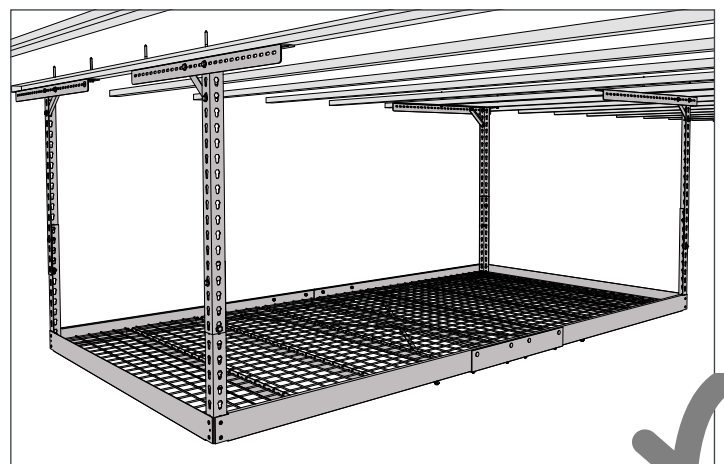
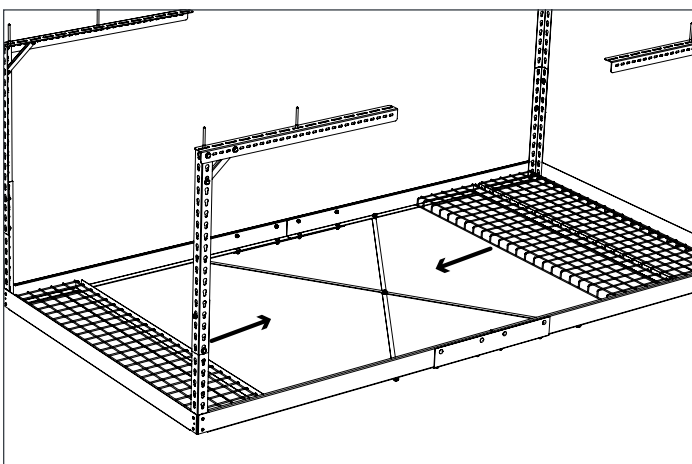
- 14** (i) Assemble the 4ft cross supports with one 1/4" hex bolt and 1/4" lock nut.  
(ii) Attach the assembled 4ft cross supports to the perimeter frame with four hex bolts, eight flat washers, and four lock nuts.



- 15** (i) Begin at the side ends of the VersaRac Pro and slide the finishing grid sections with one grid support. End grids have bent edges on one side. For easy install, place the grid supports first and bend the grid towards the front / back beams (i) and seat it down into position (ii).



- 16** Moving inward, place remaining wire grid supports and grid section onto the VersaRac Pro



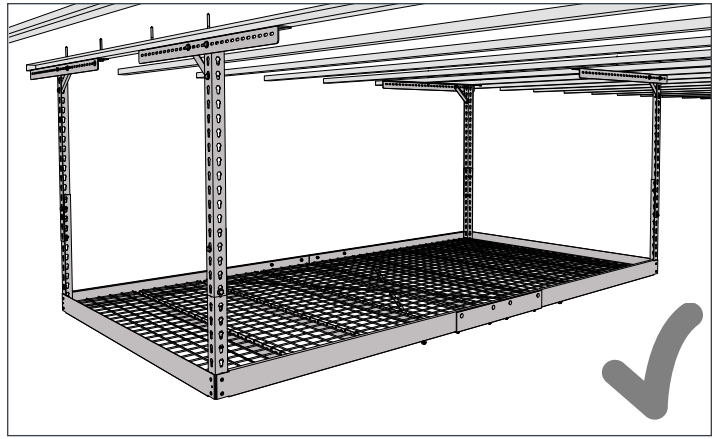
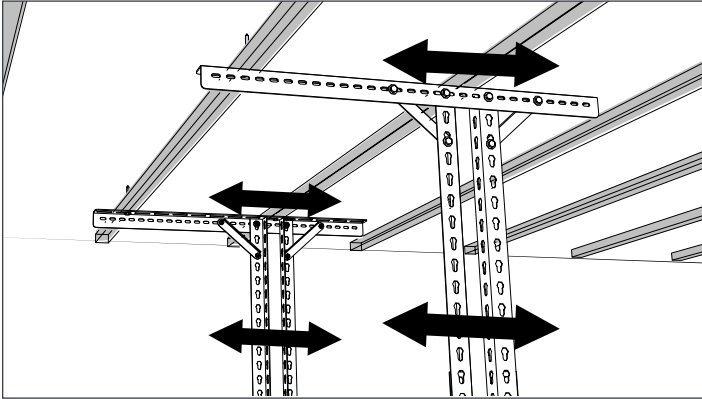
# Installing two VersaRac Pro Horizontally



**IMPORTANT NOTE:** Ensure pre-installed ceiling brackets have enough space to install the vertical posts of the second VersaRac Pro.



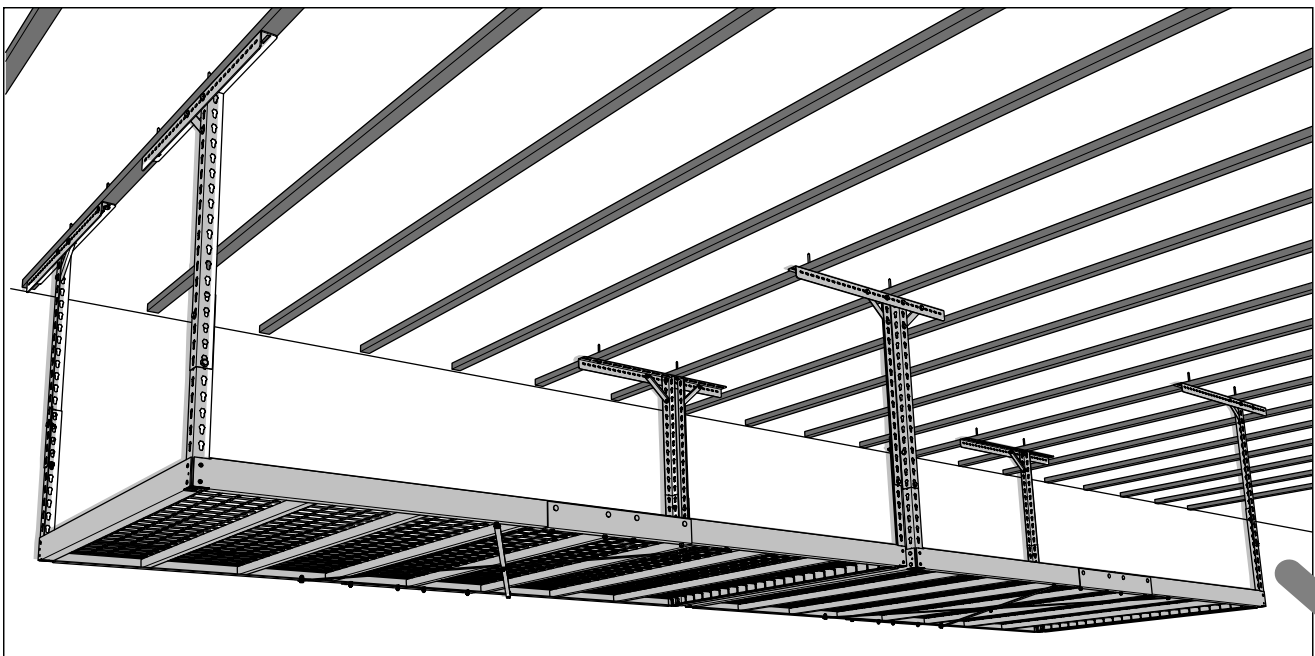
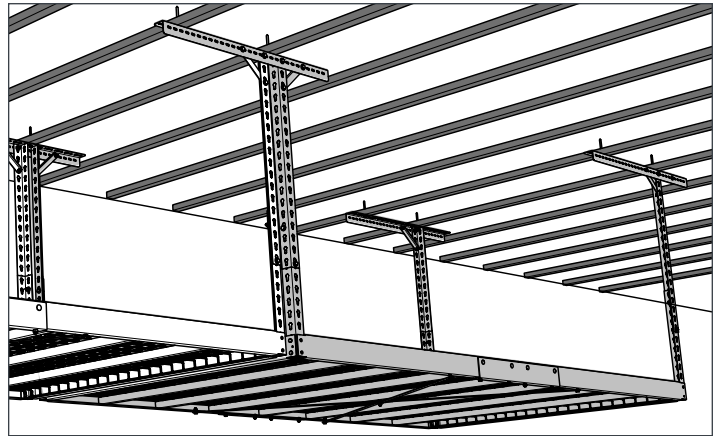
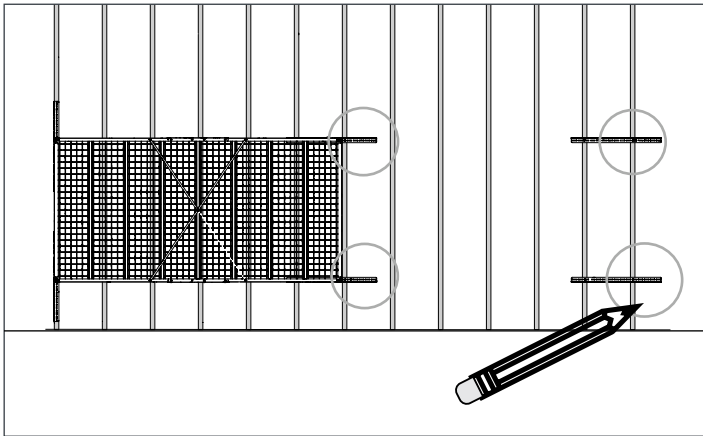
1 Install the first VersaRac Pro following steps 1 to 16 shown on page 13 to 18.



2 Prepare the installation location for the second VersaRac Pro following steps A to F on page 11 and 12.

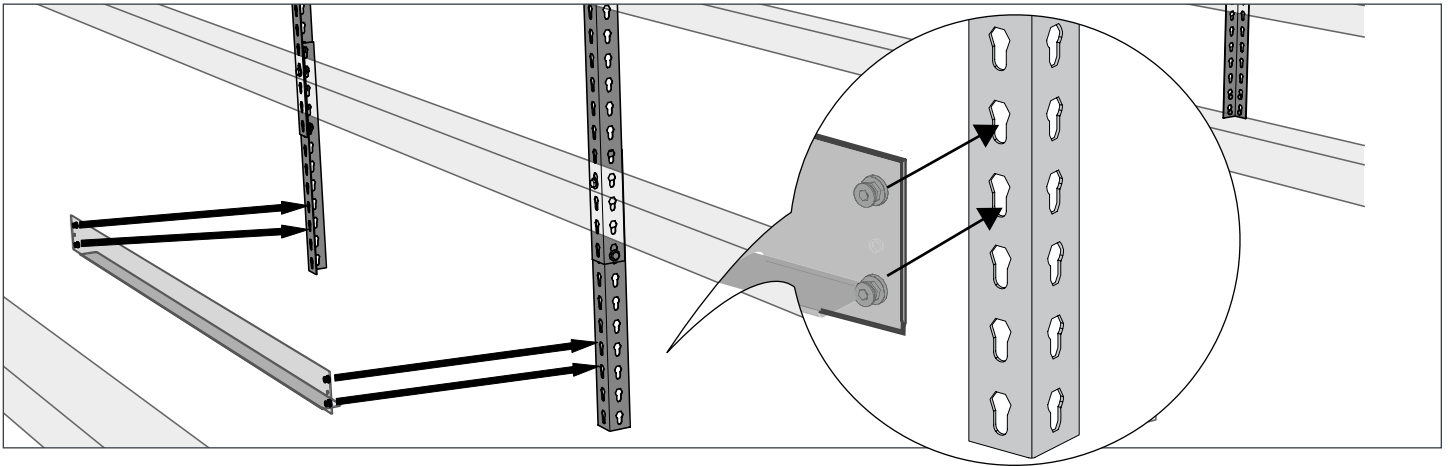


3 Follow steps 1 to 16 shown on page 13 to 18 and install second VersaRac Pro against the first VersaRac Pro installed.

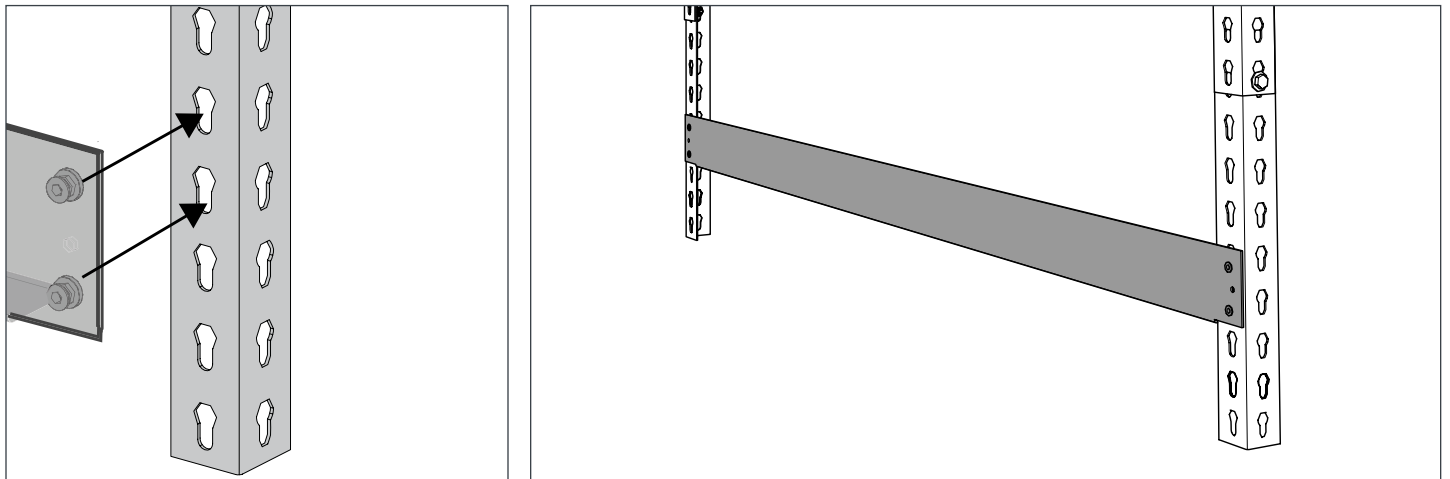


# Installing two VersaRac Pro Vertically

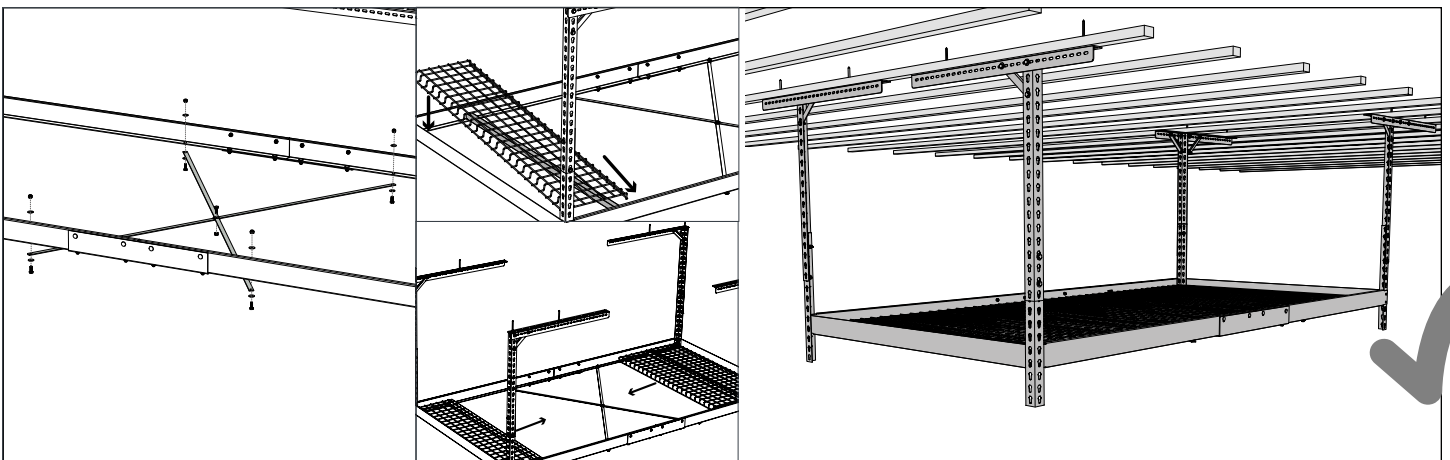
- 1** Insert the beam by guiding the shoulder rivets on the side beam into the keyhole slots found in the vertical posts. For vertical installs perimeter beams need to be installed offset from the bottom vertical post by 3 inches.



- 2** Follow steps 9 to 13 on page 16 and 17 while keeping the perimeter beams installed offset by 3 inches minimum.

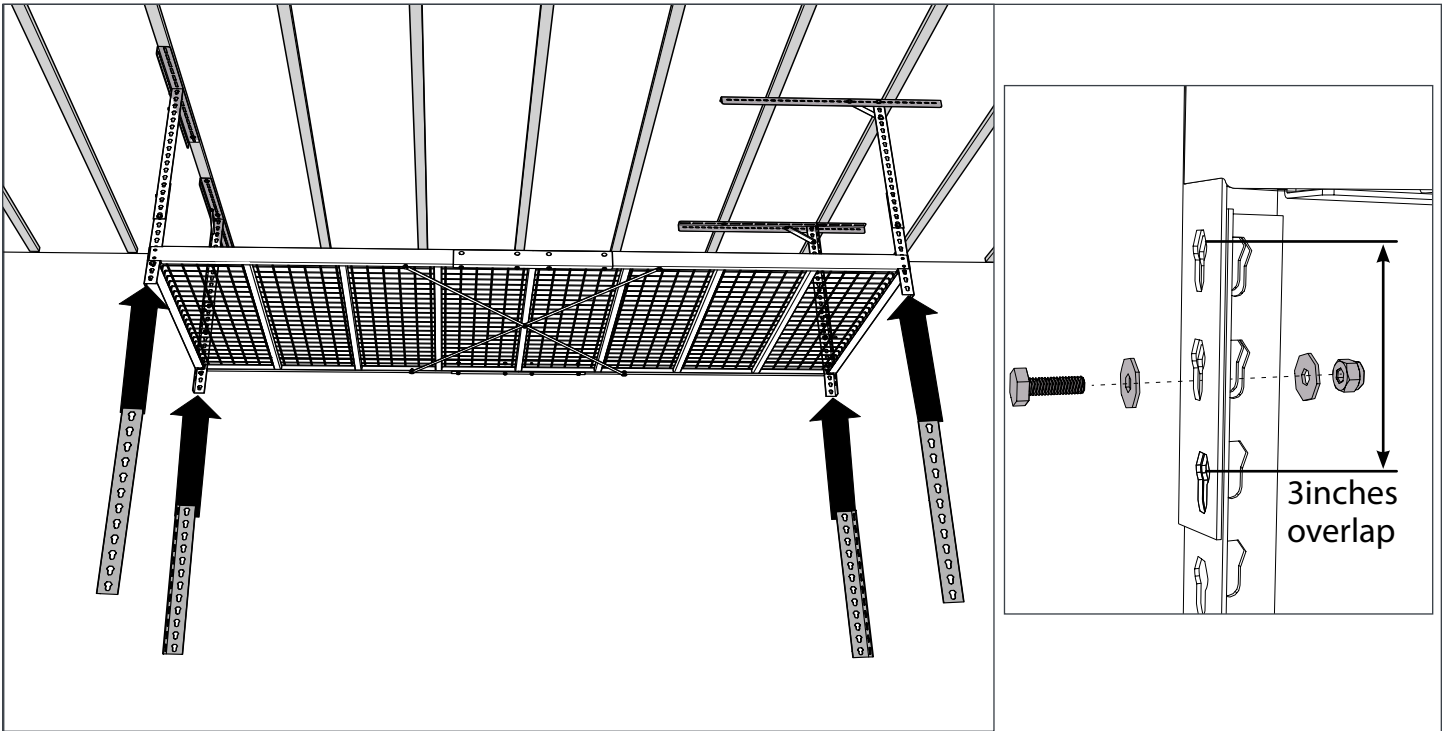


- 3** Follow steps 14 to 16 on page 18 for the remaining of the install of the top VersaRac Pro.

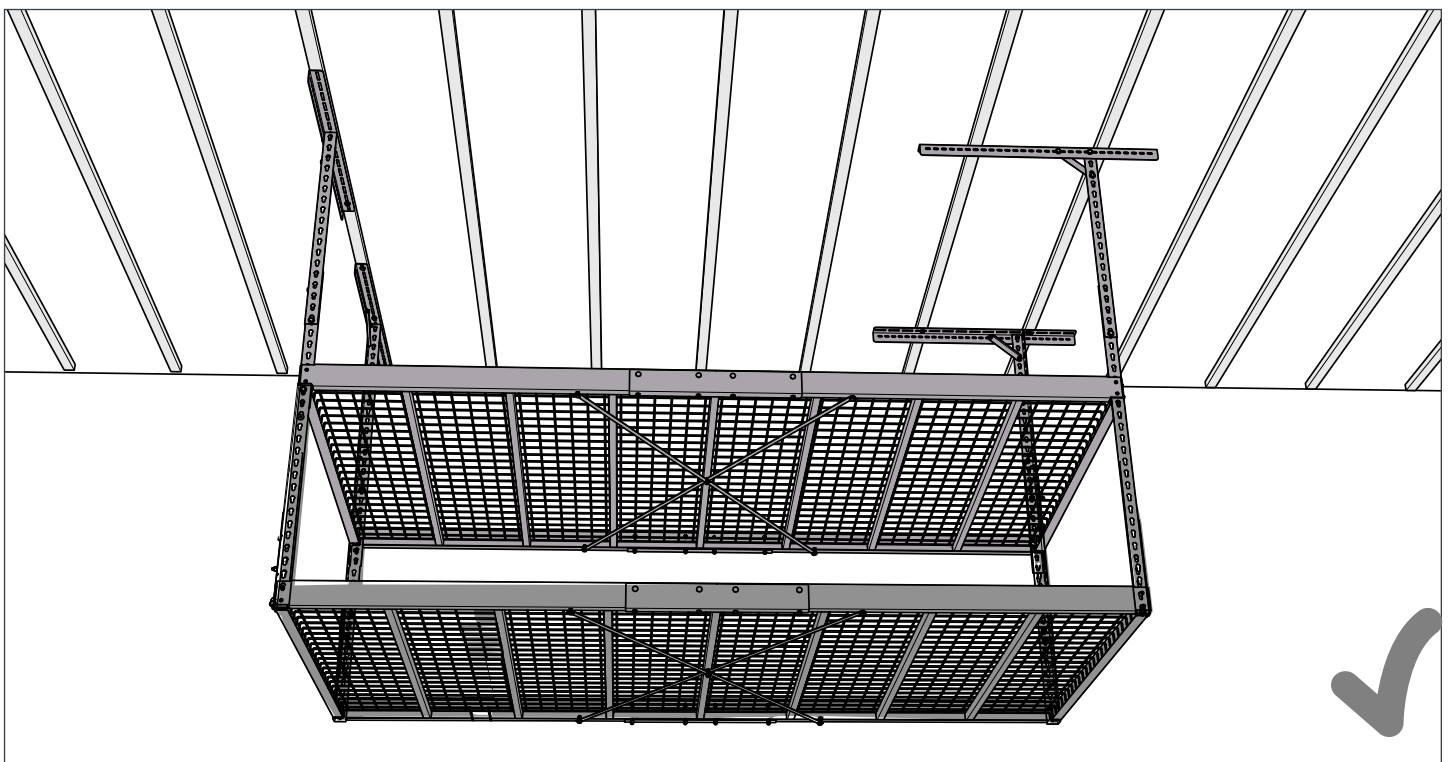


# Installing two VersaRac Pro Vertically

- 4** Install vertical posts at the bottom of the first VersaRac Pro. **NOTE:** Customers can only attach an 18in or 27in vertical post on the second VersaRac Pro. **Do not install the two vertical posts together.**



- 5** Continue the install of the perimeter beams and remaining components of the bottom VersaRac Pro by following steps 9 to 16 on page 16 to 18.

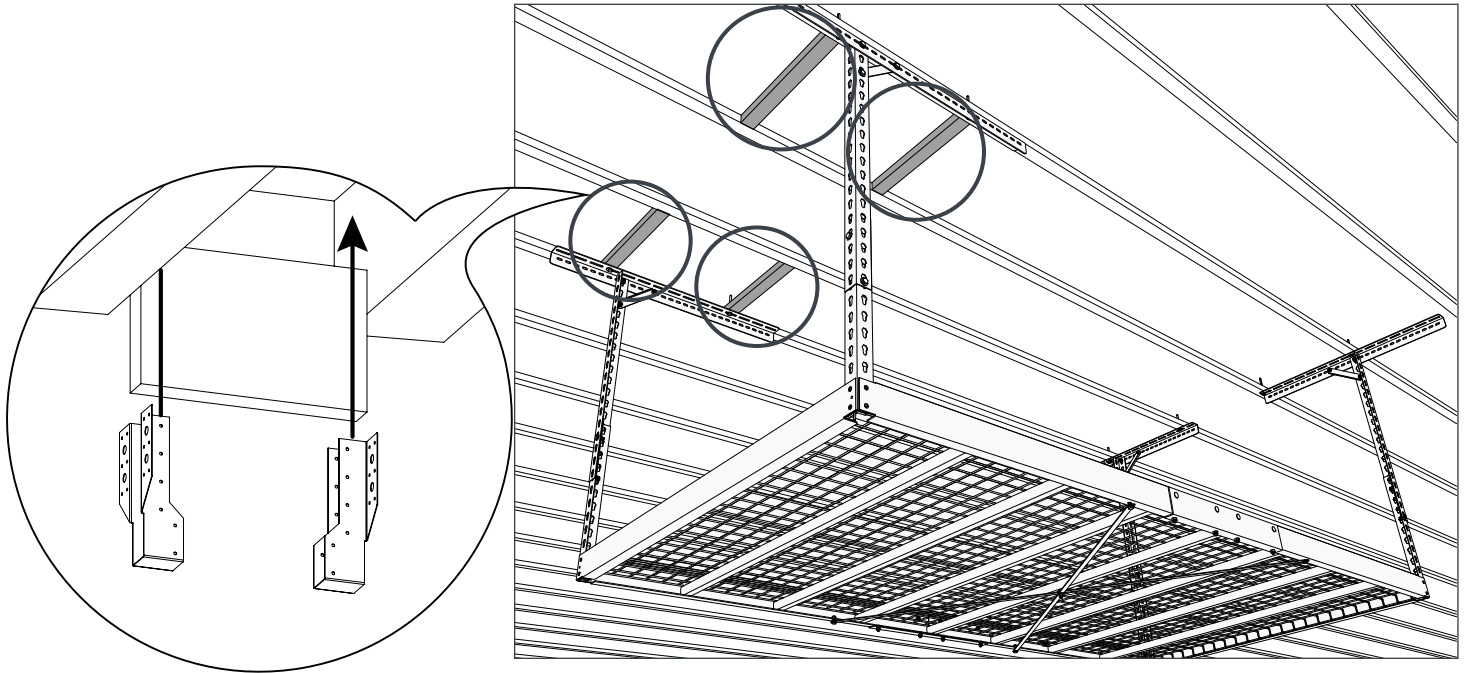


# Installation Tips

## Installing a Stud Hanger

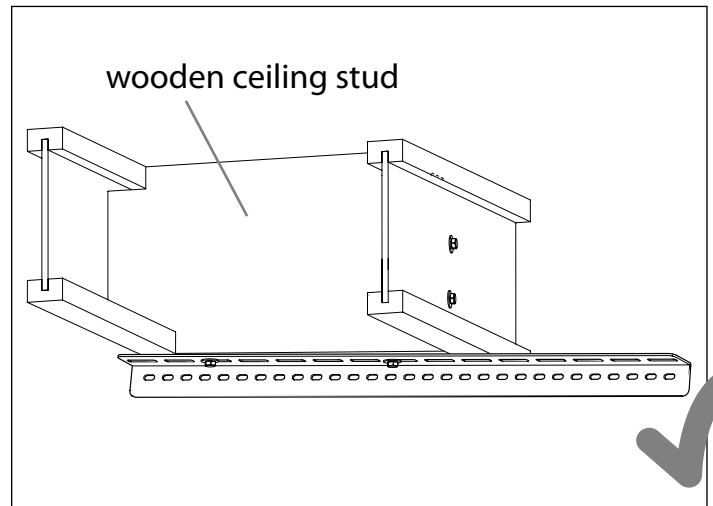
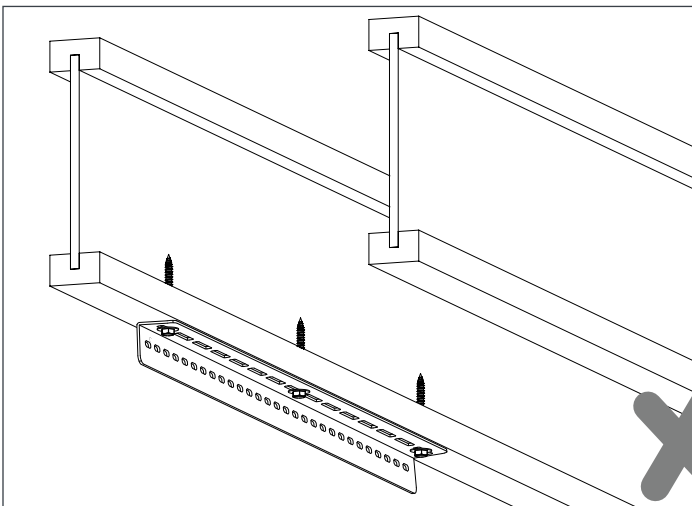
If the spacing of your ceiling studs do not match the desired size and direction of your VersaRac installation you will need to install a stud in the correct position. Please consult your local professional contractor for assistance installing a stud hanger.

Using suitable stud hangers, install two additional wooden ceiling studs in the desired location. (ceiling stud, stud hanger and hardware not included)



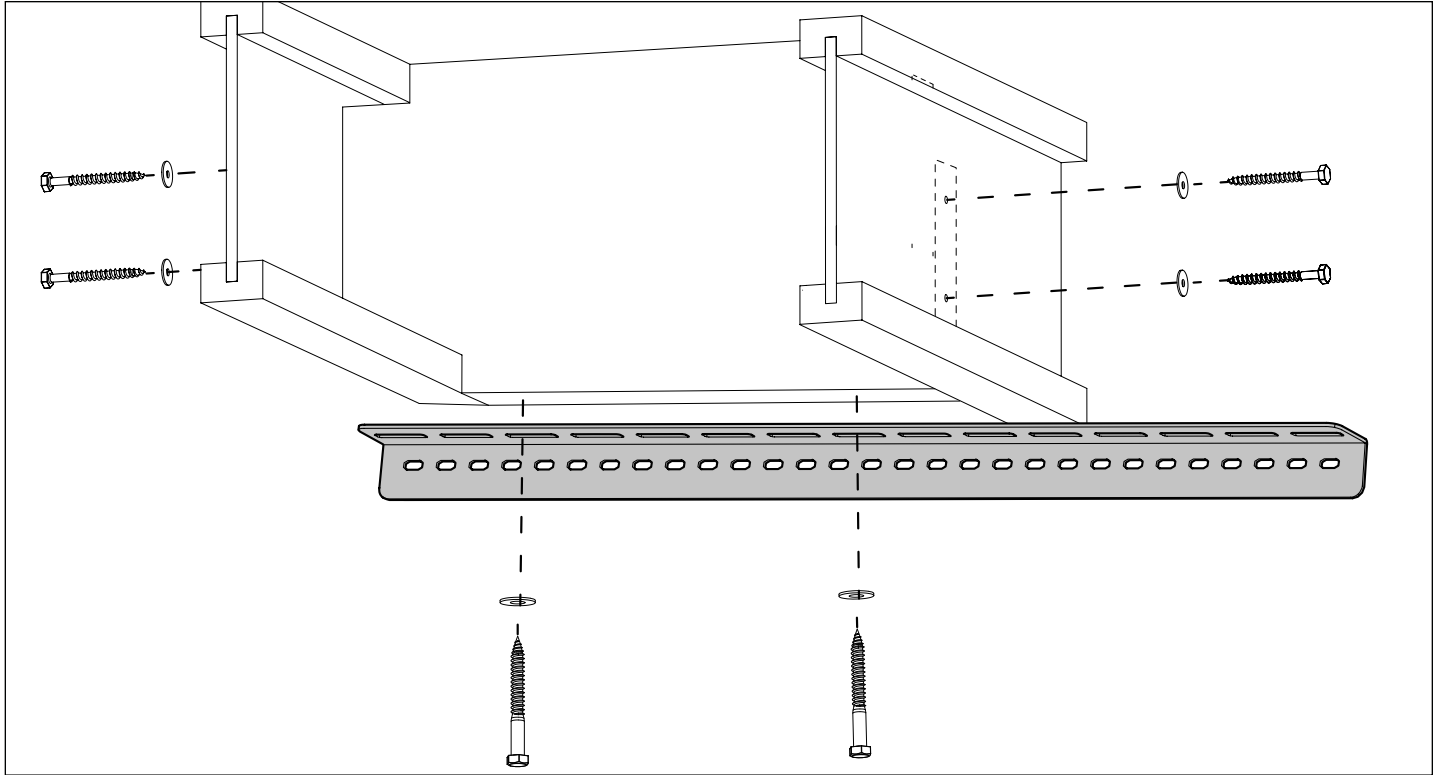
## Fastening to Engineered ceiling Studs

If the construction of your ceiling is using engineered ceiling studs you must install an additional ceiling stud (minimum 2" x 8") perpendicular between two of the engineered ceiling studs. Install four additional wooden ceiling studs in the required locations for your ceiling brackets depending on the VersaRac Pro size and orientation as determined on page 6 (ceiling stud and hardware not included)

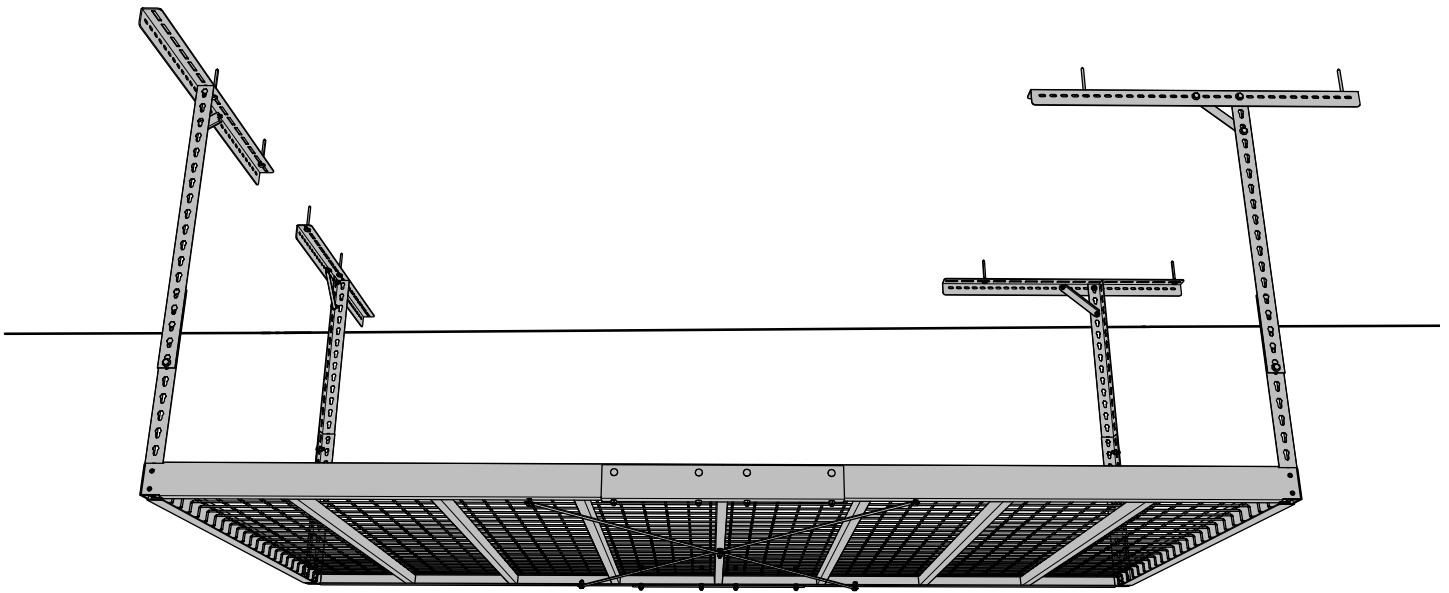


**Warning:** Engineered ceiling studs are not suitable for directly fastening the ceiling brackets.

# Installation Tips



Please consult your local professional installer for assistance when installing a ceiling stud to ensure that it meets local building code requirements.



# VERSARAC PRO

## Support de rangement au plafond réglable

### GUIDE D'INSTALLATION



#### **AVERTISSEMENT : Danger de charge excessive!**

Pour éviter les blessures au dos, déplacez, assemblez et installez le VersaRac Pro avec l'aide de deux personnes ou plus. Ne laissez pas d'enfant sans surveillance près du VersaRac Pro. Il existe un risque élevé de basculement si le support est installé de façon incorrecte : Suivez attentivement les instructions et procédez à une inspection régulière de votre système pour vous assurer que tous les composants sont fixés de façon sécuritaire.

Pour obtenir de l'aide, composez le 1 877-306-8930; envoyez un courriel à [info@newageproducts.com](mailto:info@newageproducts.com).



#### **ATTENTION :**

Votre VersaRac Pro est-il endommagé?

Vous avez besoin d'assistance ou de pièces de rechange? Pour un service plus rapide, contactez NewAge Products au 1 877-306-8930 ou écrivez à [support@newageproducts.com](mailto:support@newageproducts.com).

Ne retournez pas ce produit au détaillant.

# Index

---

<b>GARANTIE DU FABRICANT</b>	3
<b>Déballage</b>	4
<b>Inspection du produit</b>	4
<b>Outils nécessaires</b>	4
<b>Avertissements de sécurité</b>	5
<b>Capacité de charge</b>	6
<b>Options d'installation du VersaRac Pro</b>	7
<b>Planifier l'emplacement de l'installation</b>	10
<b>Planifier l'emplacement de l'installation</b>	11
<b>Installation des supports de plafond et montants verticaux</b>	13
<b>Installation des montants de périmètre</b>	16
<b>Ensemble de support transversal et de grille métallique de 4 pi</b>	18
<b>Installation de deux VersaRac Pro à l'horizontale</b>	19
<b>Installation de deux VersaRac Pro à la verticale</b>	20
<b>Conseils d'installation</b>	22

---

# NEWAGE PRODUCTS INC. VERSARAC PRO

## GARANTIE DU FABRICANT

### UNE PREUVE D'ACHAT EST REQUISE

### POUR OBTENIR UN SERVICE SOUS GARANTIE.

Veillez avoir les renseignements suivants lorsque vous appelez notre équipe du service à la clientèle :

- Le nom, l'adresse et le numéro de téléphone
- Le nom du produit / numéro d'UGS
- Une description claire et détaillée du problème
- Une preuve d'achat, y compris un numéro de commande

**Enregistrez votre achat de produits NewAge en ligne pour obtenir une assistance à la clientèle plus rapide et un accès à des avantages exclusifs**

Visitez [www.newageproducts.com/register/](http://www.newageproducts.com/register/)

### Réclamation sous garantie

Pour un service sous garantie, veuillez contacter NewAge Products au **1 877-306-8930**; ou [support@newageproducts.com](mailto:support@newageproducts.com)

Veillez examiner tous les détails de la garantie ci-dessous avant de contacter NewAge Products pour une réclamation.

Balayez le code à barres 2D à droite pour accéder à la page d'assistance ou visitez le [www.newageproducts.com/contact-us/](http://www.newageproducts.com/contact-us/)



Balayez ce code à barres 2D avec la caméra de votre téléphone mobile pour visiter le Centre d'assistance de NewAge Products [www.newageproducts.com/support-hub/](http://www.newageproducts.com/support-hub/)

## GARANTIE À VIE LIMITÉE

### CE QUI EST COUVERT

Pendant la durée de la garantie à compter de la date d'achat, lorsque ce produit est installé, utilisé et entretenu conformément aux instructions fournies, NewAge Products Inc. remplacera les pièces ou le produit défectueux, si le bris provient d'un défaut de matériau ou de fabrication.

### CE QUI N'EST PAS COUVERT

1. Les appels de service pour corriger l'installation de tout produit NewAge ou pour vous montrer comment l'utiliser ou l'installer.
2. Les dommages causés par une manutention inadéquate du produit, ou des produits endommagés par un accident, une mauvaise utilisation, un abus, un incendie, une inondation, une installation inadéquate, un cas fortuit, une négligence, la corrosion, une modification ou une mauvaise manipulation.
3. Les produits endommagés en raison d'une charge supérieure au poids maximum précisé dans les instructions fournies avec le produit.
4. Les réparations ou le remplacement lorsque votre produit est utilisé pour un autre usage que celui d'un ménage unifamilial normal, comme un milieu commercial, ou portatif d'une manière incohérente avec les instructions d'installation comprises avec le produit.
5. Les dommages cosmétiques, y compris les éraflures, les marques, les entailles ou les fissures dans la peinture qui n'affectent pas la capacité fonctionnelle ou structurelle du produit.
6. Les surfaces endommagées en raison d'une interaction chimique entraînant la corrosion de la peinture ou du métal.
7. Les pièces de rechange pour des produits NewAge à l'extérieur du Canada et des États-Unis.
8. La perte des produits y étant contenue en raison d'un vol, d'un incendie, d'une inondation, d'un accident ou de cas fortuits.
9. Les frais d'expédition ou de transport pour livrer les produits de rechange ou pour retourner des produits défectueux.
10. Tout coût de main-d'œuvre pendant la période de garantie limitée.

### EXCLUSION DE GARANTIES IMPLICITES

DANS LA MESURE PERMISE, LES GARANTIES IMPLICITES, Y COMPRIS LES GARANTIES APPLICABLES DE QUALITÉ MARCHANDE OU DE CONFORMITÉ À UN USAGE PARTICULIER, SONT EXCLUES DANS LA LIMITE OÙ LA LOI LE PERMET. TOUTE GARANTIE IMPLICITE QUI POURRAIT ÊTRE IMPOSÉE PAR LA LOI DOIT SE LIMITER À UN AN, OU À LA PÉRIODE LA PLUS COURTE PERMISE PAR LA LOI. CETTE GARANTIE SE LIMITE À L'ACHETEUR D'ORIGINE. Certains États ainsi que certaines provinces ne permettent pas les limitations sur la durée d'une garantie implicite de qualité marchande ou de conformité, il est donc possible que les limitations ci-dessus ne s'appliquent pas à vous. Cette garantie vous donne des droits légaux particuliers et vous pourriez également disposer d'autres droits variant selon l'État ou la province.

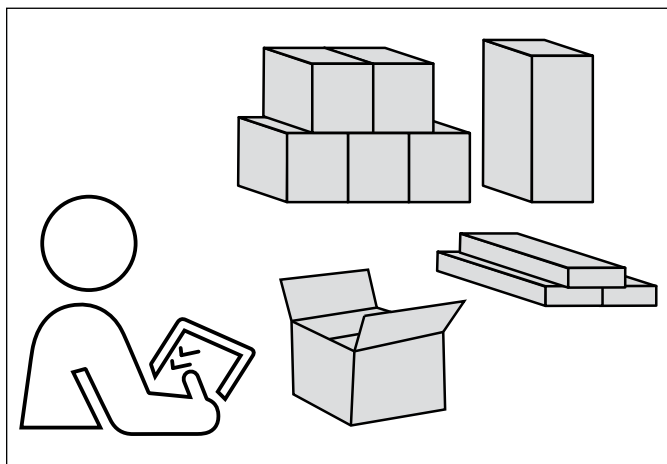
### LIMITATION DES RECOURS; EXCLUSION DES DOMMAGES ACCESSOIRES ET INDIRECTS

EN VERTU DE CETTE GARANTIE LIMITÉE, VOTRE SEUL ET UNIQUE RECOURS DOIT ÊTRE LA RÉPARATION OU LE REMPLACEMENT DU PRODUIT, À NOTRE DISCRÉTION, COMME INDIQUÉ AUX PRÉSENTES. NEWAGE NE DOIT PAS ÊTRE TENU RESPONSABLE DES DOMMAGES ACCESSOIRES ET INDIRECTS. Certains États ainsi que certaines provinces ne permettent pas l'exclusion ou la limitation des dommages accessoires ou indirects, il est par conséquent possible que ces limitations et exclusions ne s'appliquent pas à vous. Cette garantie vous donne des droits légaux particuliers et vous pourriez également disposer d'autres droits variant selon l'État ou la province.

# Déballage

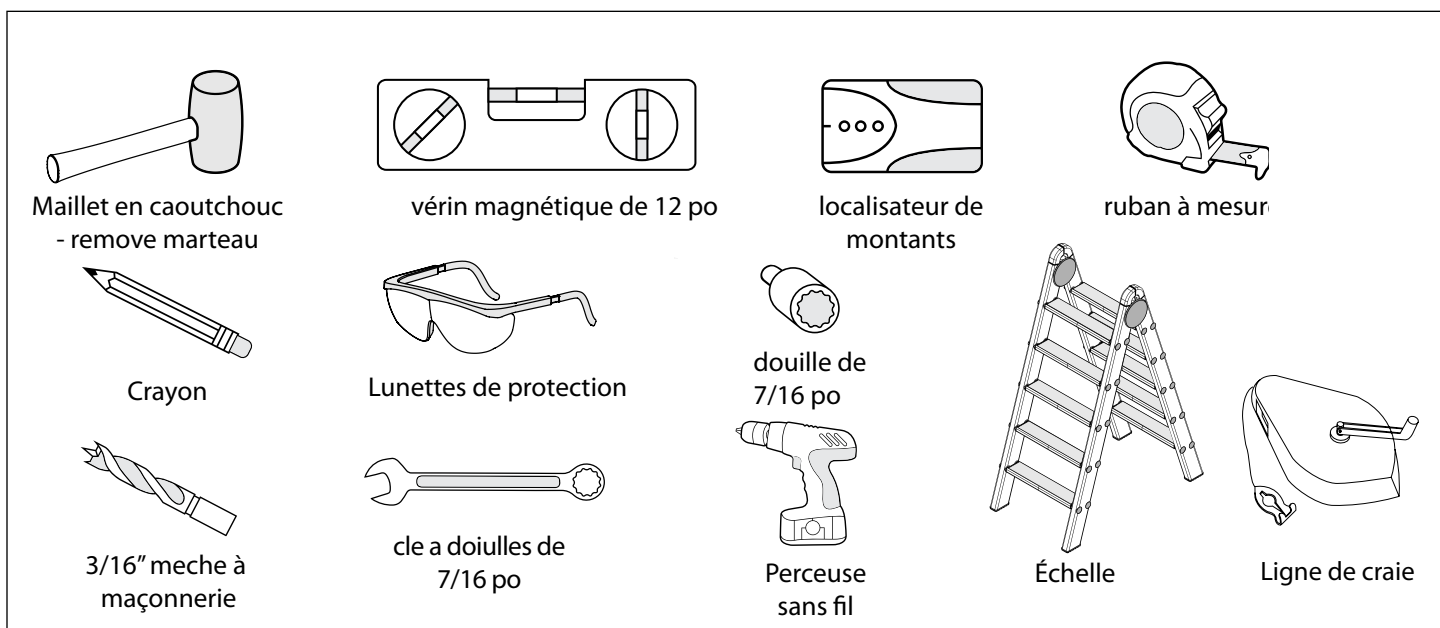
- Commencer par placer l'emballage sur une surface plane doté d'un revêtement;
- Retirer tout le carton, les matériaux d'emballage en mousse et les sacs en nylon;
- Mettre au rebut/recycler tous les matériaux d'emballage;
- Vérifier l'ensemble du contenu de la boîte et réunir les outils nécessaires. Consultez la section « Outils requis » dans la liste ci-dessous.

# Inspection du produit



- Assurez-vous d'avoir reçu toutes les pièces conformément à la commande que vous avez passée.
- S'il manque des pièces, contactez NewAge Products au 1 877-306-8930.
- Avant de commencer l'installation, inspectez les produits pour y déceler tout dommage.
- Lisez attentivement les instructions d'installation avant de commencer l'installation.

# Outils nécessaires



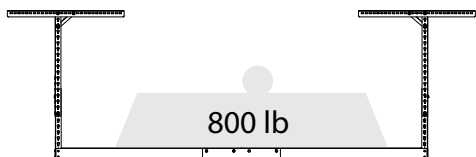
# Avertissements de sécurité

---

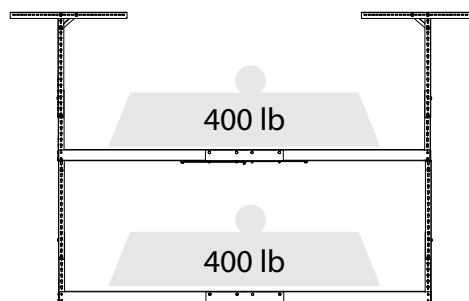
## PRIÈRE DE COMMENCER PAR LIRE CECI

1. **Toutes les unités VersaRac Pro disposent d'une capacité nominale de charge de 800 livres, distribuée de manière égale, utilisant un tire-fond de 3 po ancré dans des montants en bois massif ou des supports capables de supporter une telle charge.**
2. **Si des crochets accessoires sont achetés, les capacités de charge des crochets doivent être incluses dans la charge maximale de 800 lb par unité VersaRac Pro individuelle.**
3. **Ne pas charger plus de 800 lb sur un VersaRac Pro. Il est possible que les charges vivantes (personnes, animaux de compagnie, etc.) soient moins lourdes que la capacité nominale, mais elles exerceront tout de même une force supérieure à celle admissible. Par conséquent, il n'est pas approprié de se tenir debout, sauter ou se suspendre au VersaRac Pro.**
4. **Les unités VersaRac Pro doivent être installées à des montants suspendus ou des supports adéquats du point de vue structurel. NewAge Products Inc. ne donne aucune garantie concernant la capacité ou la solidité de la structure à laquelle les unités sont assemblées.**
5. **NewAge Products Inc. ne peut être tenu responsable de la rupture, ou de dommages ou blessures entraînés par la rupture de la structure.**
6. **Pour s'assurer que les supports sont convenables, il faut toujours procéder à une inspection du plafond. Assurez-vous que les supports suspendus sont structurellement assez solides pour supporter un ou plusieurs VersaRac Pro.**
7. **Le support VersaRac Pro est conçu pour être installé dans des montants de plafond en bois. Ne pas tenter de réaliser la fixation sur des poutres en acier.**
8. **S'assurer que l'ensemble du poids est distribué de façon uniforme sur l'étagère. Placer les objets plus lourds proches des poteaux d'angle verticaux et les objets plus légers au centre.**
9. **Ne pas sauter sur votre VersaRac Pro, ou y grimper.**
10. **Inspecter régulièrement le système pour s'assurer que tous les composants sont solidement fixés.**

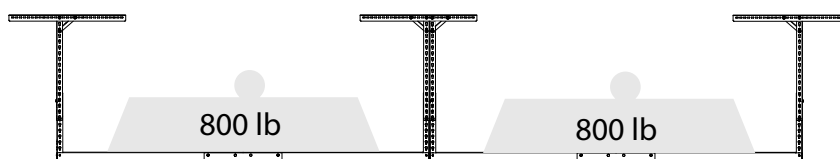
# Capacité de charge



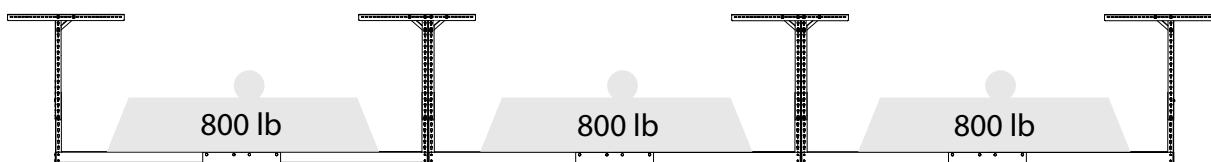
VersaRac Pro simple



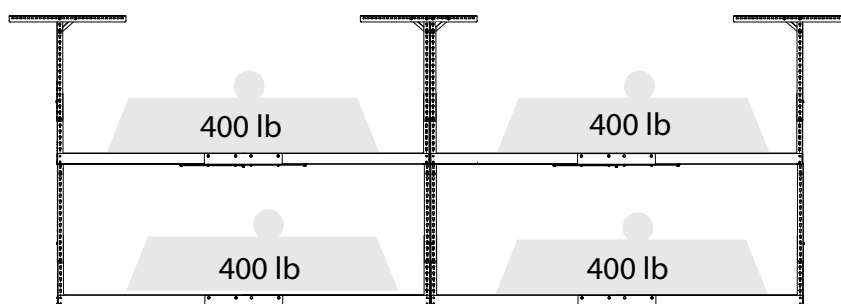
Deux VersaRac Pro reliés entre eux et installés verticalement



Deux VersaRac Pro reliés entre eux et installés horizontalement



Trois VersaRac Pro reliés entre eux et installés horizontalement



Quatre VersaRac Pro reliés entre eux et installés verticalement et horizontalement

## **⚠ AVERTISSEMENT DE SÉCURITÉ**

Toutes les unités VersaRac Pro disposent d'une capacité nominale de charge de 800 livres, distribuée de manière égale, utilisant un tire-fond d'au moins 3 po ancré dans des montants en bois massif ou des supports capables de supporter une telle charge. S'assurer que l'ensemble du poids est distribué de façon uniforme sur l'étagère. Placer les objets plus lourds proches du bord du bâti et des supports latéraux, et les objets plus légers au centre.

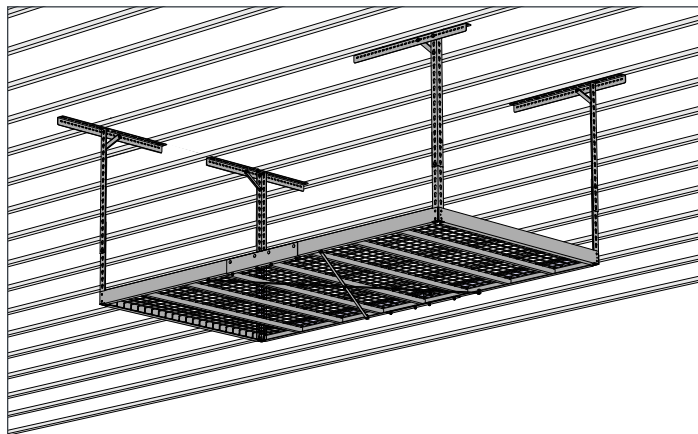
# Options d'installation du VersaRac Pro

**i** **Information importante :** Veuillez lire le manuel en entier avant de commencer l'installation.

- Ne dépassez pas la capacité de charge totale du VersaRac Pro.
- Planifiez la disposition et mesurez l'espace pour le dégagement et l'espacement des montants avant l'installation.
- Assurez-vous que le VersaRac Pro est solidement installé sur une structure appropriée.

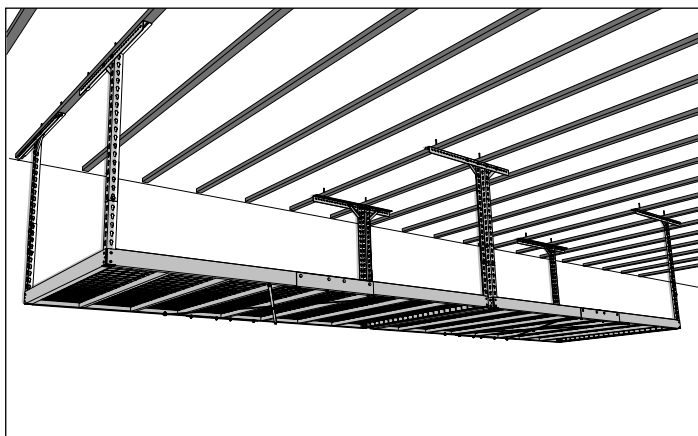
## Option A :

Un seul VersaRac Pro fixé au plafond.  
Voir le processus d'installation à la page 10.



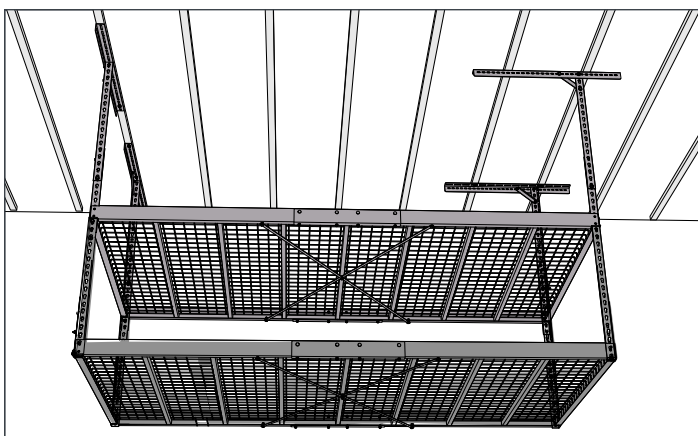
## Option B :

Installation de deux VersaRac Pro à l'horizontale.  
Reportez-vous à la page 19 avant de commencer l'installation complète à la page 10.

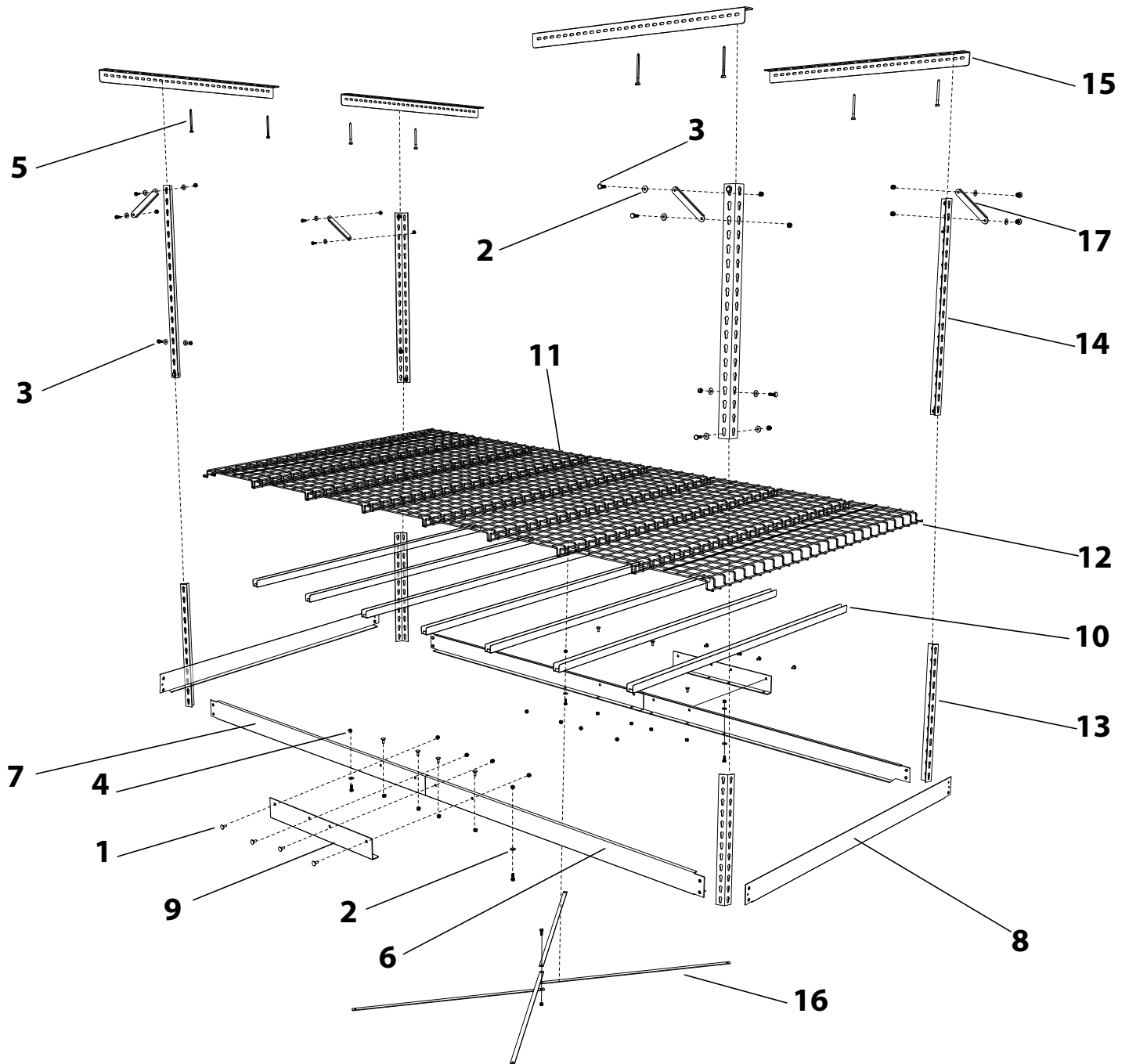


## Option C :

Installation de deux VersaRac Pro à la verticale.  
Voir la page 20 avant de commencer l'installation complète à la page 10.

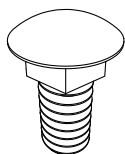


# Liste des pièces fournies et des pièces de rechange



# Liste des pièces fournies et des pièces de rechange

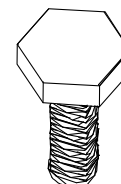
ARTICLE N°	PART N°	DESCRIPTION GÉNÉRALE	QTÉ. COMPRISE	N° D'UGS DE PIÈCE DE RECHANGE	QTÉ. DE PIÈCE DE RECHANGE
1	H00001A-01	Boulon de carrosserie 1/4-20x0,625 po	16	40492	1
2	H00002A-01	Rondelle de 1/4 po	48	SO	SO
3	H00004A-01	Boulon hex. 1/4-20X0,75 po	25	40493	1
4	H00005A-01	20 contre-écrous de 1/4 po	41	40491	1
5	H00009A-01	Vis de fixation de 1/4 po	8	40490	1
6	VR2-01.001A-01-XX	Montant avant droit du VersaRac Pro	2	SO	SO
7	VR2-01.002A-01-XX	Montant avant gauche du VersaRac Pro	2	SO	SO
8	VR2-01.003A-01-XX	Montant latéral VersaRac Pro 4X8 pi	2	SO	SO
9	VR2-01.005A-01-XX	Support de jonction en L avant	2	SO	SO
10	VR2-01.006A-01-XX	Supports de grille en forme de « U » VersaRac Pro 4X8 pi	7	41287	1
11	VR2-01.007A-01-XX	Grillage central VersaRac Pro 4X8 pi	6	SO	SO
12	VR2-01.008A-01-XX	Grillage d'extrémité VersaRac Pro 4X8 pi	2	SO	SO
13	VR2-01.010A-01-XX	Poteau vertical VersaRac Pro 18 po	4	41286	4 de chaque poteau
14	VR2-01.011A-01-XX	Montant vertical VersaRac Pro 27 po	4		
15	VR2-01.012A-01-XX	Support de plafond VersaRac Pro	4	41288	1
16	WSH-01.010A-01-XX	Supports transversaux de 4 pi	4	SO	SO
17	VR2-01.013A-01-XX	Support stabilisateur VersaRac Pro	4	SO	SO



1/4-20x0,625 po  
Boulon de carrosserie



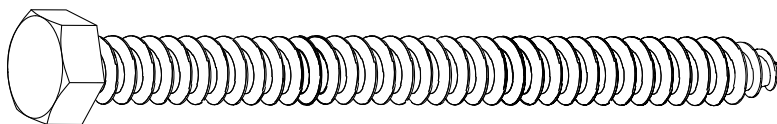
Rondelle de 1/4 po



1/4-20x0,75 po  
Boulon à tête hex.



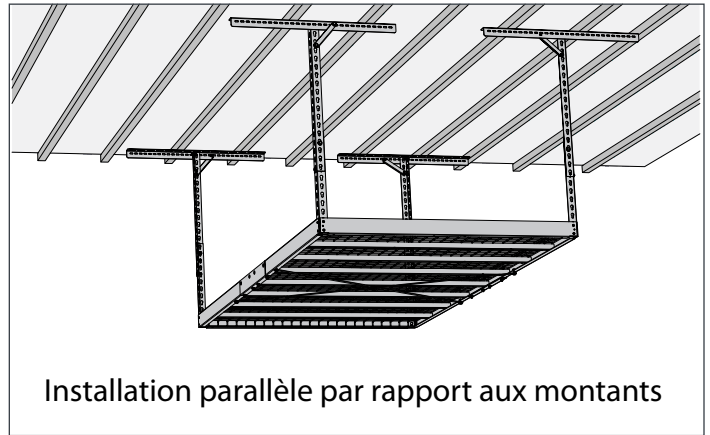
20 contre-écrous de 1/4 po



Vis de fixation de 1/4 po

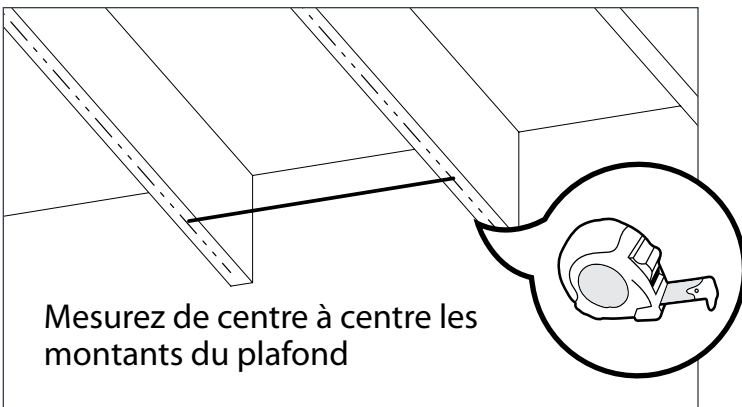
# Planifier l'emplacement de l'installation

**i** Déterminez si le VersaRac Pro sera installé parallèlement ou perpendiculairement aux montants du plafond.

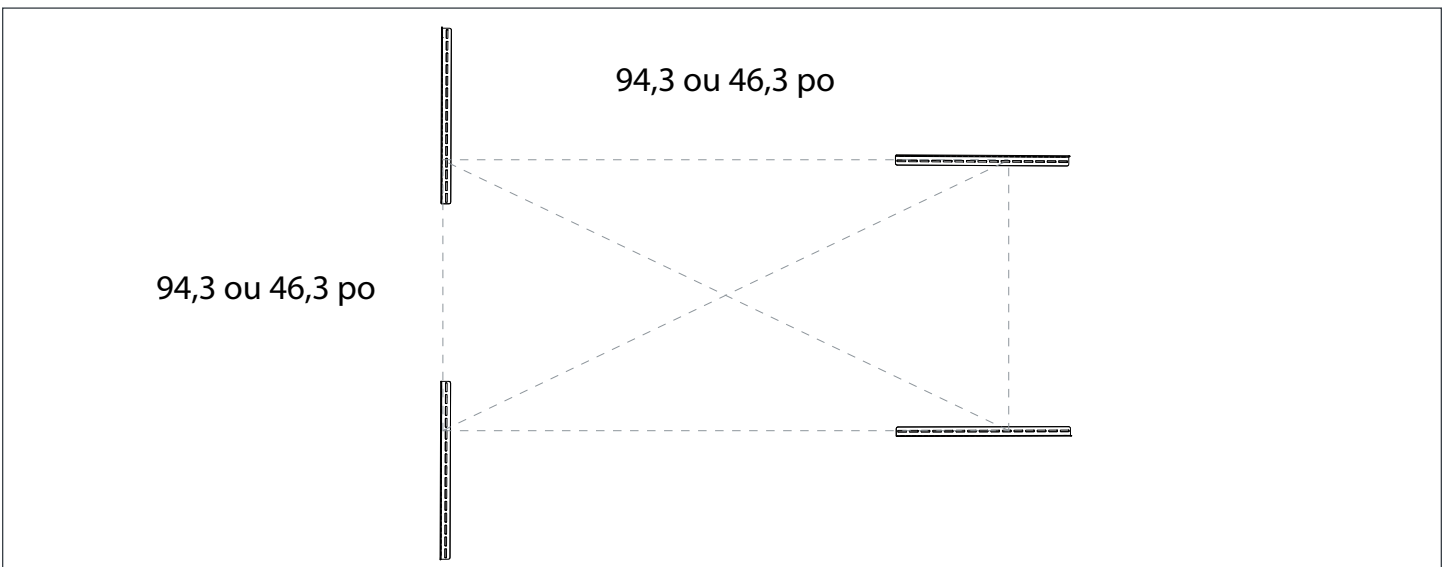


**i** Vérifiez l'espacement de vos montants de plafond pour vous assurer qu'ils conviennent à la taille et à la direction de l'installation de votre VersaRac Pro.

**REMARQUE :** Si l'espacement de vos montants est irrégulier et dépasse 28 pouces ou si les supports de plafond ne sont pas alignés à la position idéale, vous devrez installer des montants d'ingénierie. Veuillez vous reporter à la section « Installation d'un support de montant » à la **page 22** pour installer un montant de plafond à l'endroit souhaité.

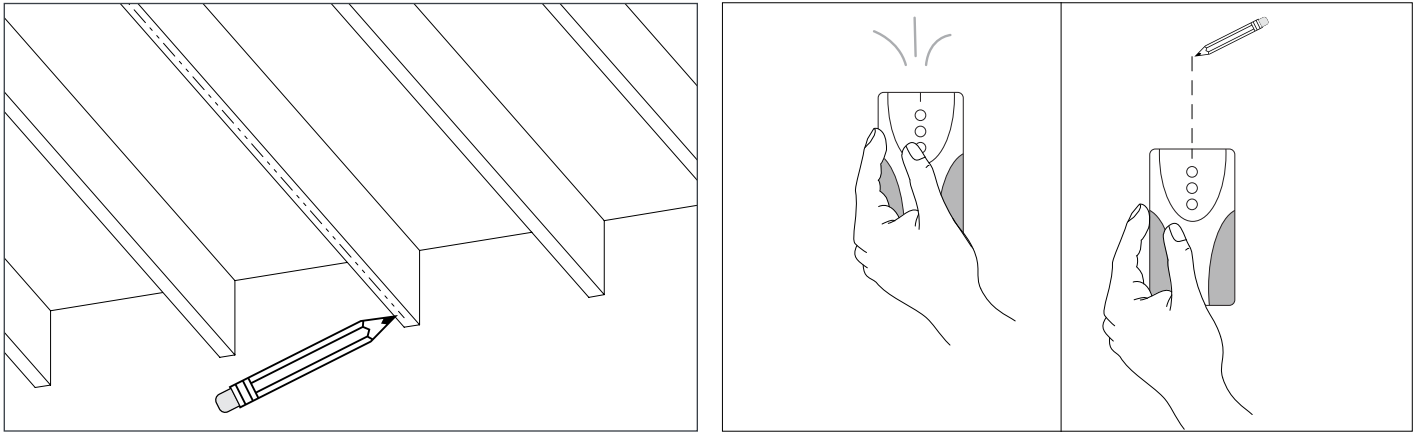


**i** Les supports de plafond peuvent être installés parallèlement ou perpendiculairement au VersaRac Pro. Commencez à planifier l'emplacement des supports de plafond supérieurs et des montants verticaux. Suivez les instructions ci-dessous :

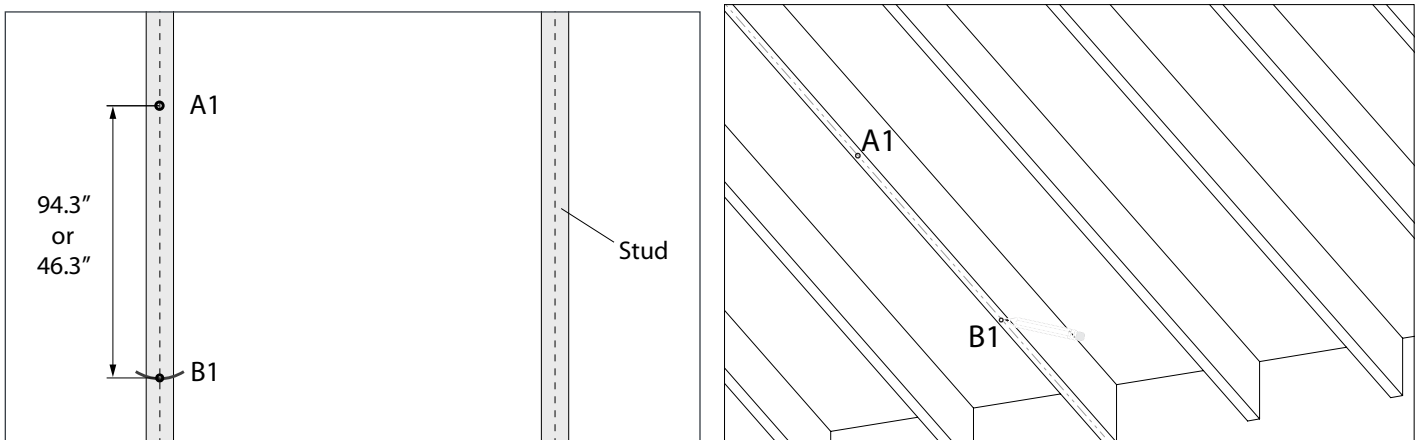


# Planifier l'emplacement de l'installation

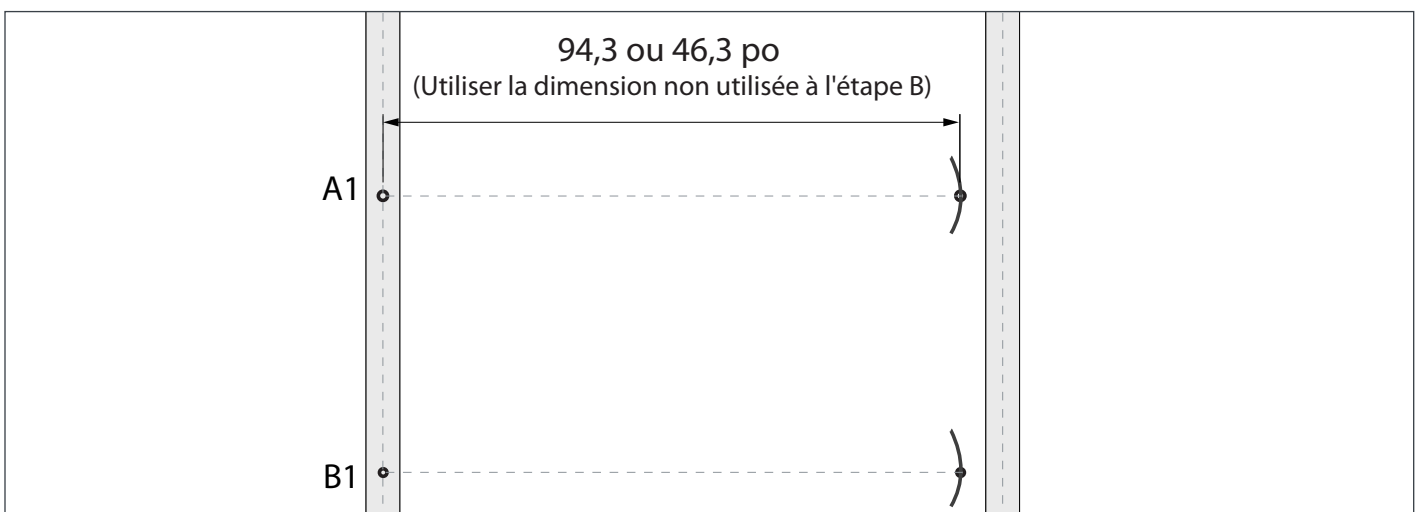
- A** Repérez et marquez le centre du montant du plafond pour les supports de plafond supérieurs et les montants verticaux. Utilisez un détecteur de montants pour localiser les montants si le plafond est recouvert de cloisons sèches.



- B** Prévoyez l'endroit où le VersaRac Pro sera installé et marquez les points A1 et B1 au centre d'un montant, à 94,3 po ou 46,3 po de distance selon l'orientation que vous choisissez pour installer le VersaRac Pro. **REMARQUE :** Il n'est pas nécessaire d'aligner le bord du VersaRac Pro sur le centre du montant, mais cela est recommandé.



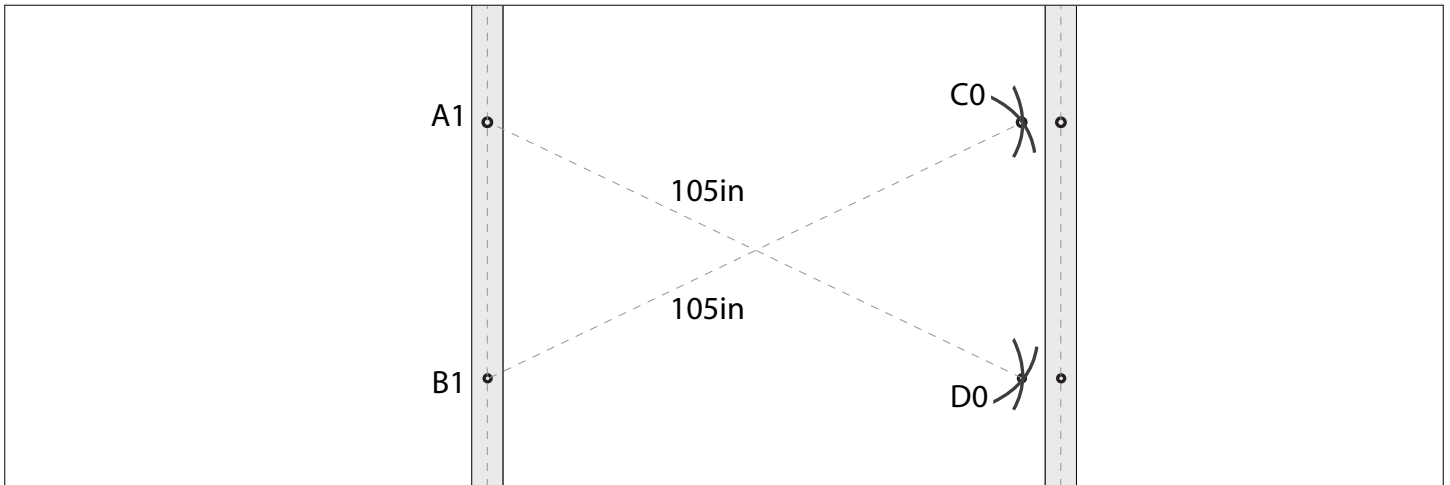
- C** Tracez deux lignes courbes à 94,3 po ou 46,3 po de distance des points A1 et B1, comme indiqué. Si 94,3 po a été mesuré à l'étape B, alors mesurez 46,3 po.



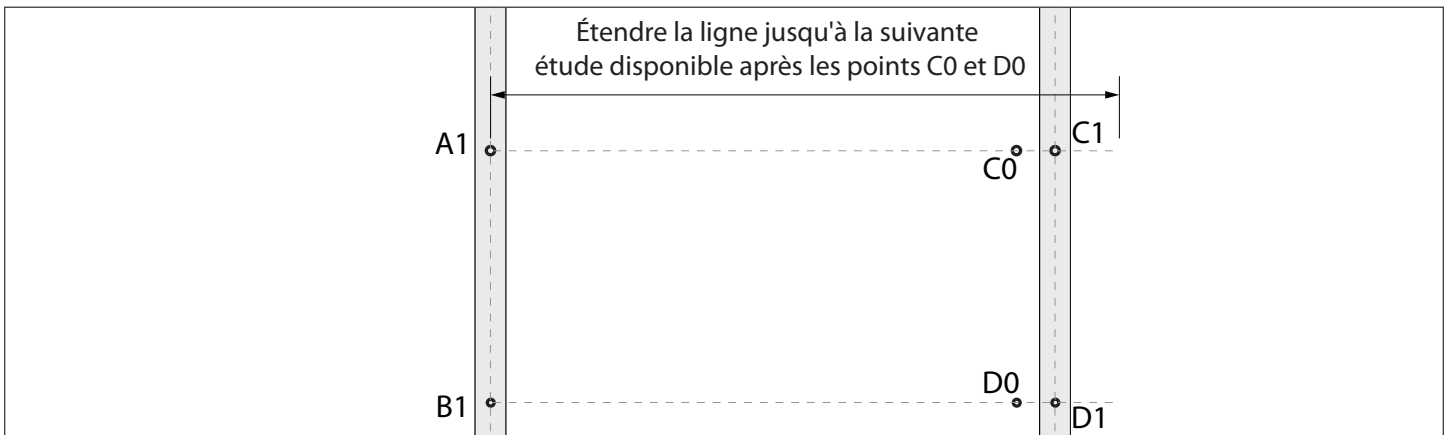
**REMARQUE :** Reportez-vous à la page 22 si vous devez installer le support de goujon.

# Planifier l'emplacement de l'installation

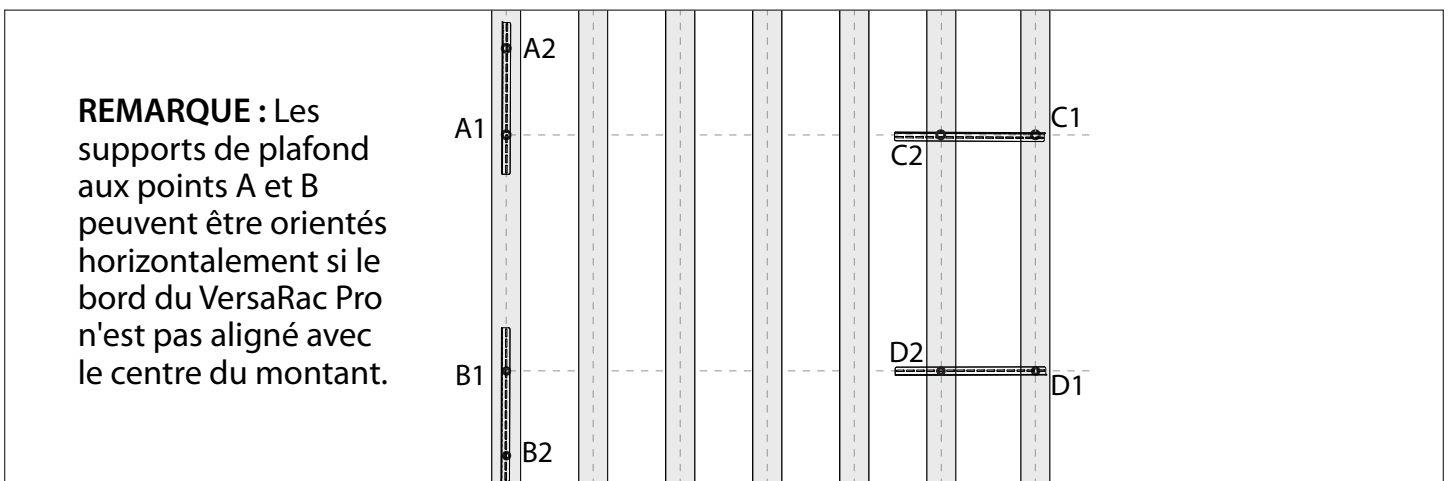
- D** Tracez deux lignes courbes de 105 po en diagonale à partir des points A1 et B1, comme indiqué. Marquez les points C0 et D0.



- E** Tracez la ligne de A1 à C0 et prolongez la ligne jusqu'au centre du montant suivant et marquez le point C1. Répétez l'opération pour les points B1 à D0, puis marquez le point D1.

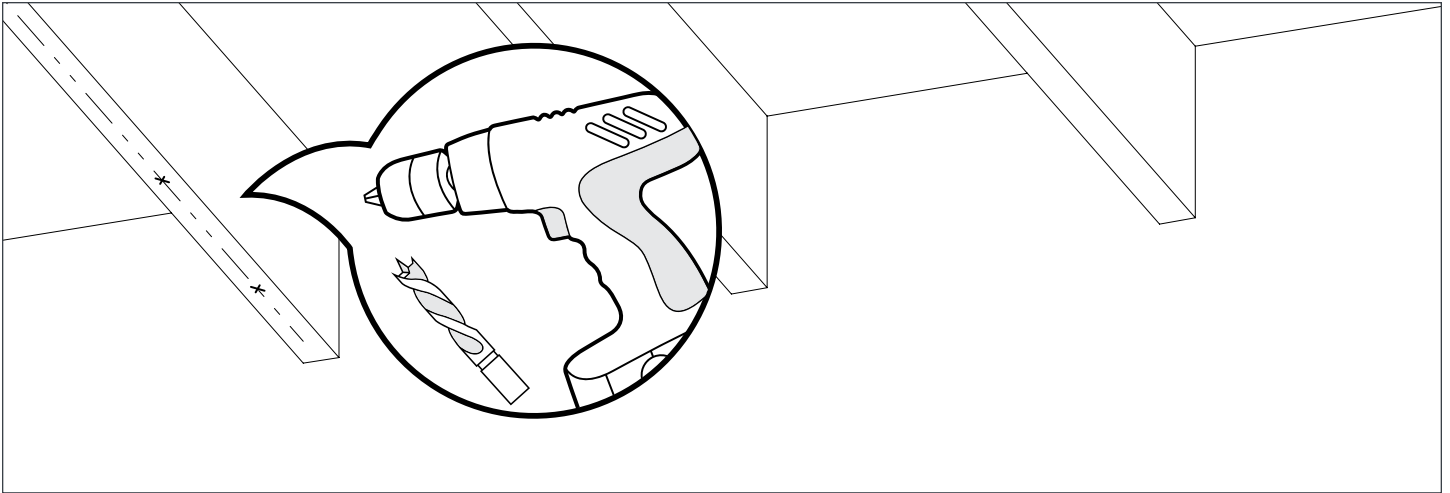


- F** Marquez les points A2, B2, C2 et D2 en fonction des positions que vous avez prévues pour installer les supports de plafond.



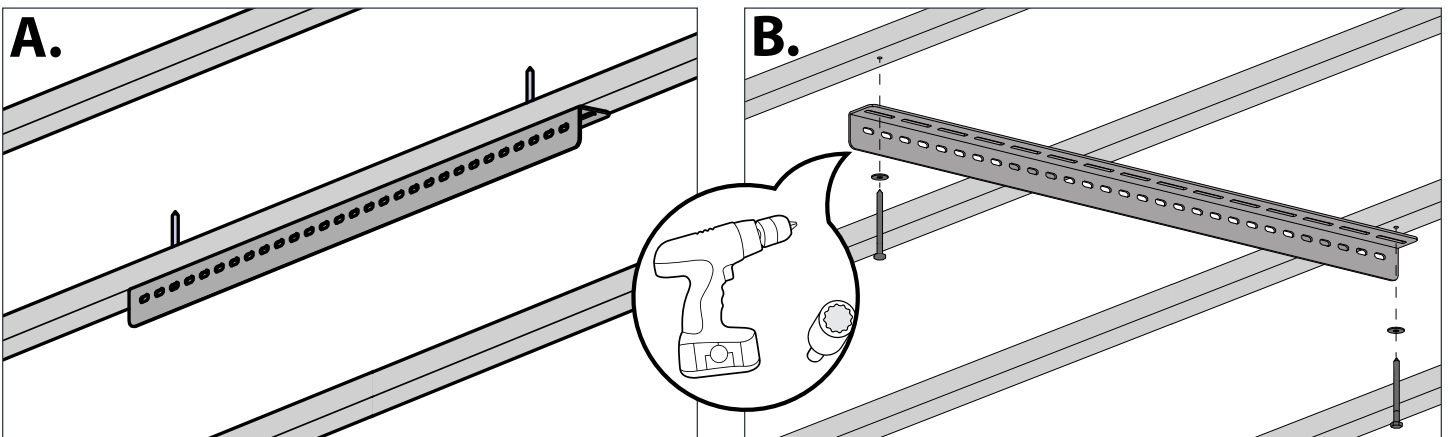
# Installation des supports de plafond et montants verticaux

- 1** Prépercez des trous pilotes de 3,125 po de profondeur dans le montant du plafond à l'aide d'un foret de 3/16 po.



Installez la première fixation supérieure au plafond aux points marqués à l'étape F de la page 12, à l'aide de deux vis de fixation et de deux rondelles plates.

- REMARQUE :**
- 2** A. Si l'emplacement du VersaRac Pro est sur un montant, installez le support de plafond parallèlement au montant du plafond.  
B. Si l'emplacement du VersaRac Pro ne repose pas exactement sur un montant, installez le support de plafond perpendiculairement aux deux montants.

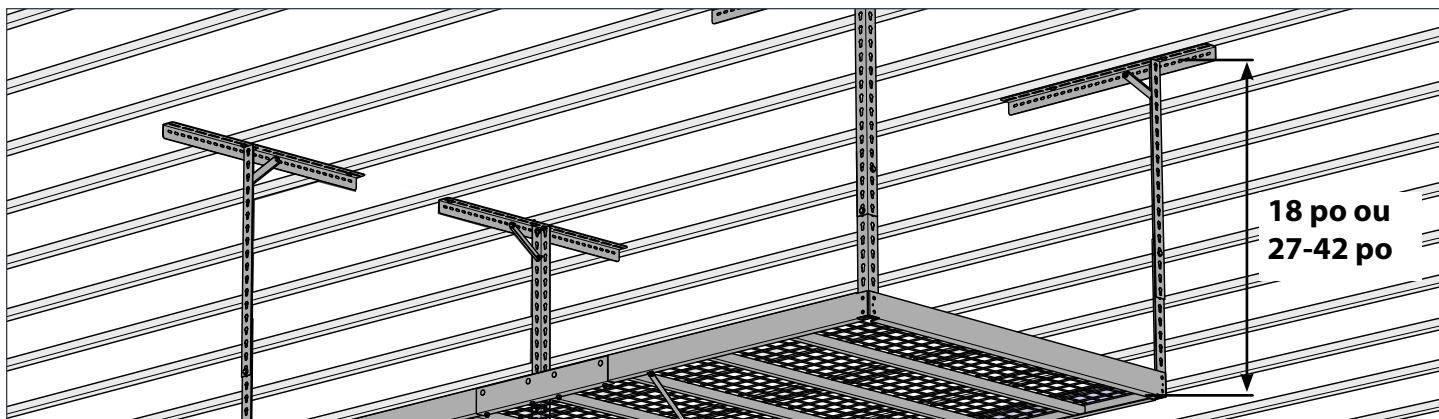


**i** **REMARQUE :**

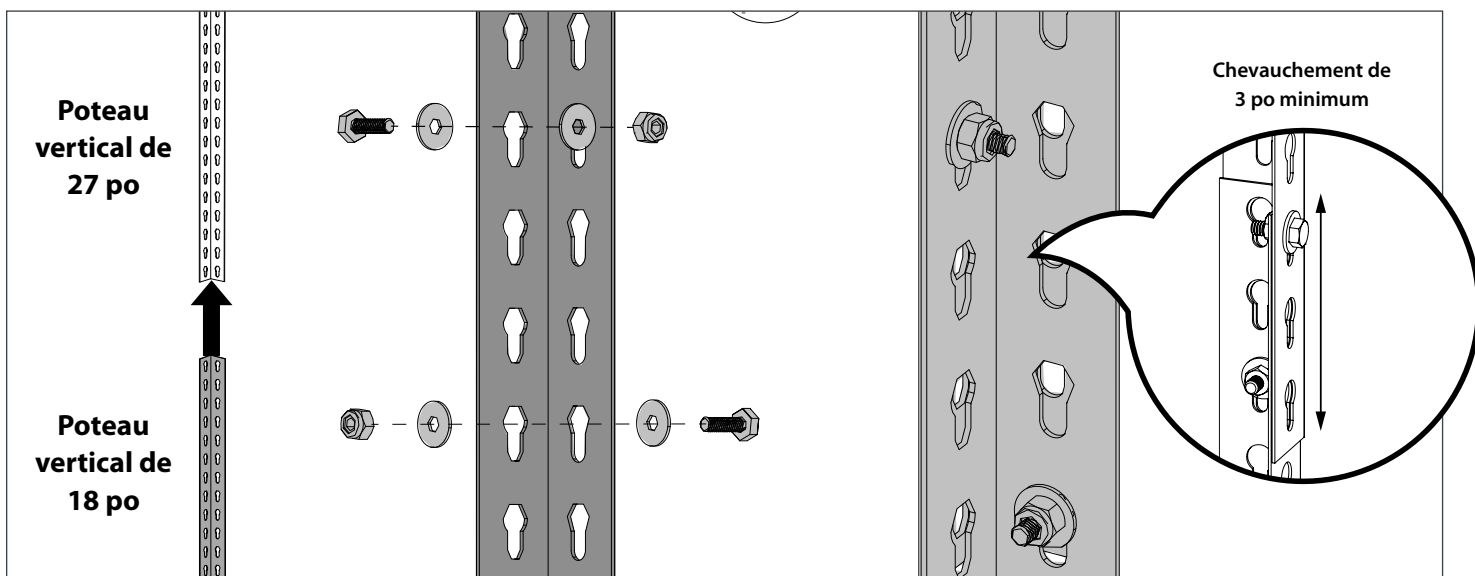
- Il faut s'assurer que les tire-fonds sont bien positionnés contre le plafond SANS toutefois les serrer de manière excessive.
- Si les tire-fonds sont trop serrés, les vis peuvent se casser ou le trou peut être endommagé.

## Installation des supports de plafond et des montants verticaux (Suite)

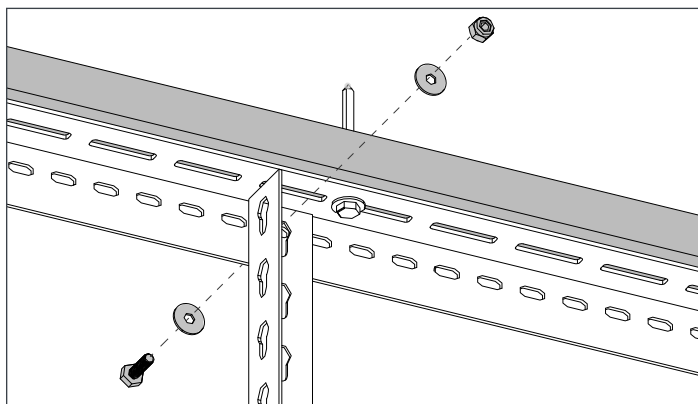
- 3** Déterminez la hauteur du VersaRac Pro du plafond jusqu'au bas du support de plafond.



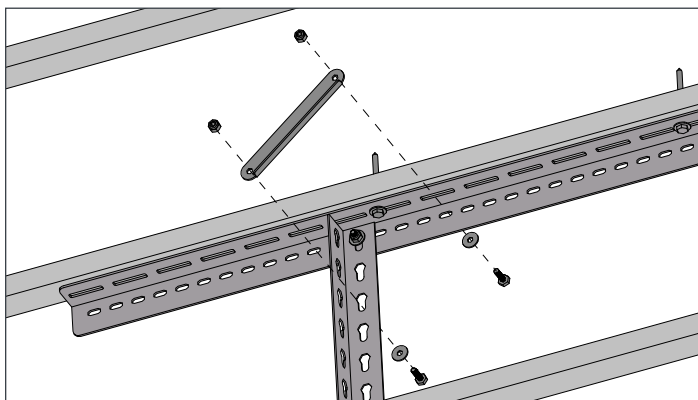
- 4** Si la hauteur désirée est supérieure à 18 po, boulonnez un poteau vertical de 18 po à un poteau vertical de 27 po à l'aide de deux boulons hexagonaux, de deux contre-écrous et de quatre rondelles plates. Utilisez un boulon hexagonal de chaque côté du poteau vertical avec les trous de serrure dans la même direction.



- 5** Serrez les poteaux verticaux à l'aide d'un boulon hexagonal, de deux rondelles plates et d'un contre-écrou aux supports supérieurs du plafond.

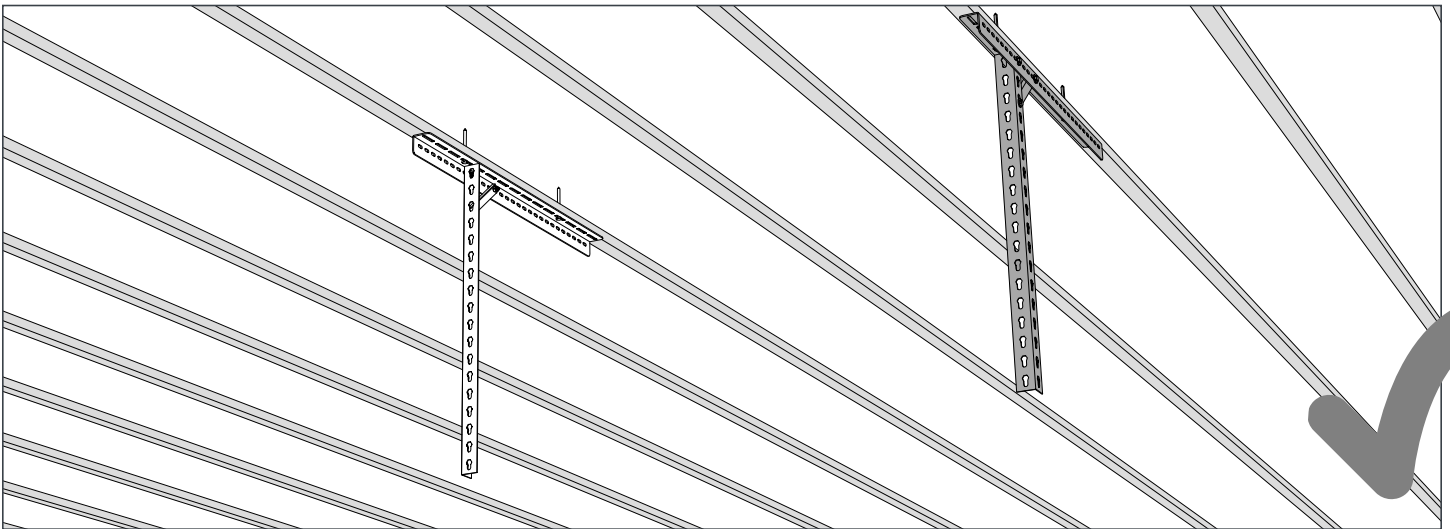
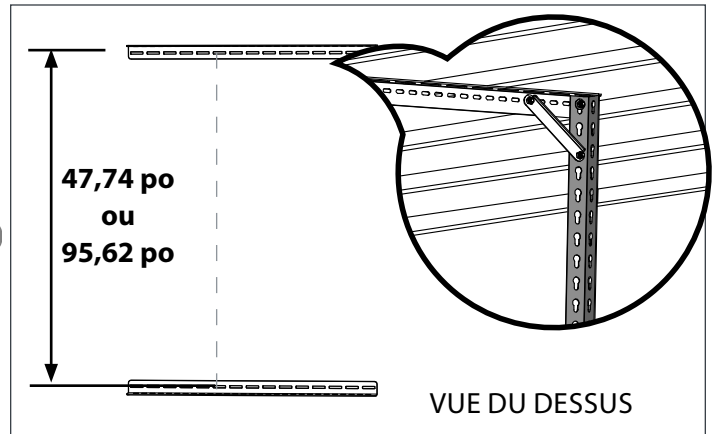
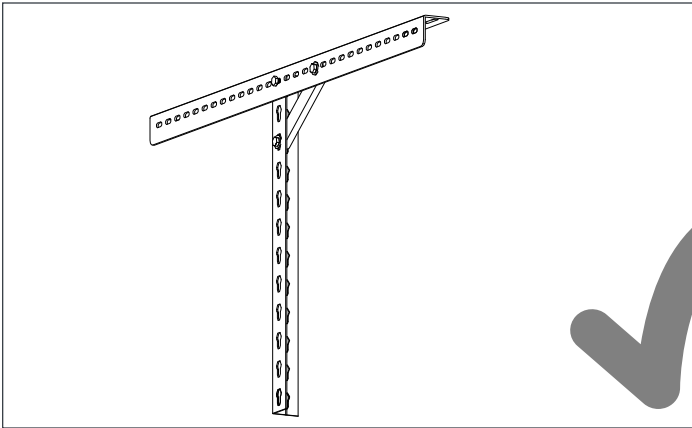


- 6** Installez le support stabilisateur en diagonale sur le support de plafond et le poteau vertical supérieur à l'aide de deux boulons hexagonaux, de deux rondelles plates et de deux contre-écrous.

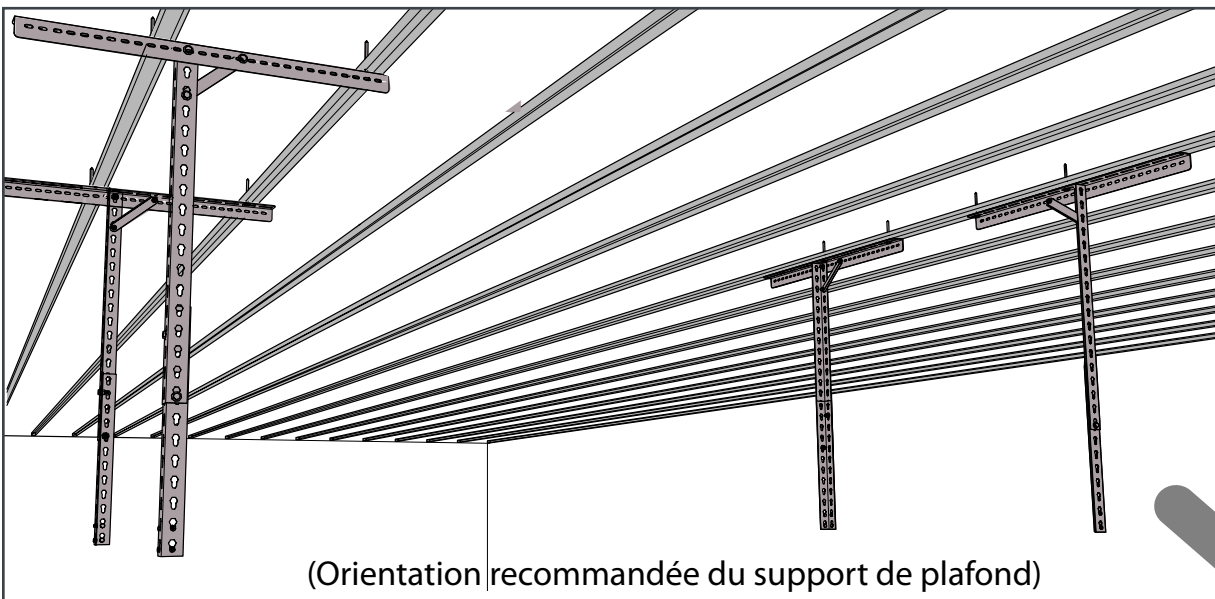


## Installation des supports de plafond et des poteaux verticaux (suite)

Suivez les étapes 1 à 6 et posez le deuxième support supérieur de plafond et le deuxième poteau vertical.  
**7** Assurez-vous que les poteaux verticaux installés ont une distance de 47,74 ou 95,62 pouces.



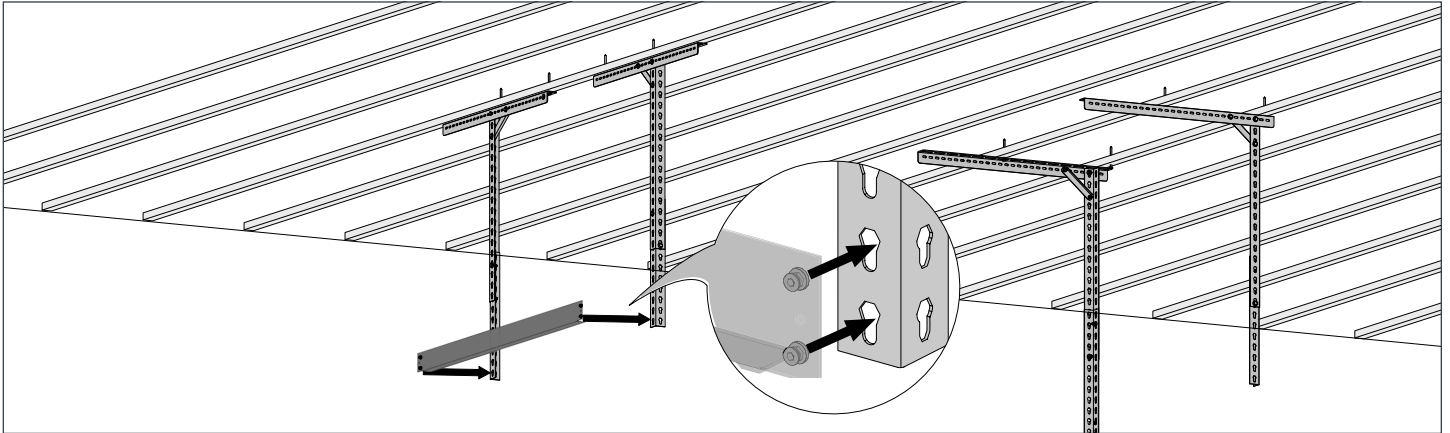
**8** Répéter les étapes 1 à 7 pour les poteaux verticaux restants.



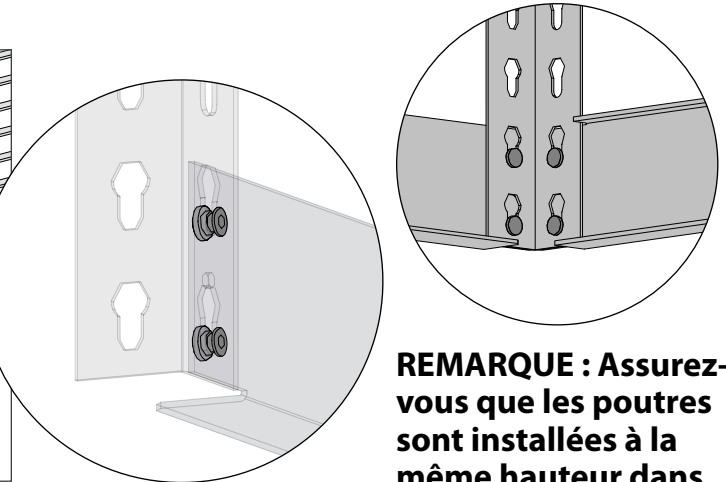
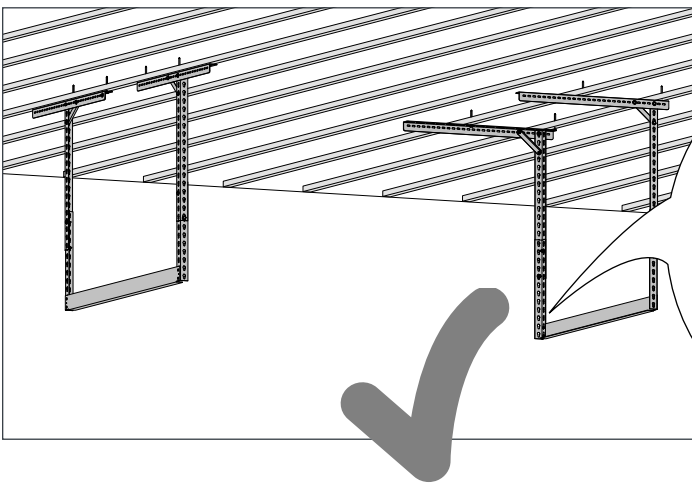
# Installation des montants de périmètre

**REMARQUE :** si vous installez deux VersaRac Pro verticalement, veuillez vous reporter à la page 20.

- 9** Insérez le montant latéral en guidant les rivets à épaulement du montant latéral dans les fentes en trou de serrure des poteaux verticaux.

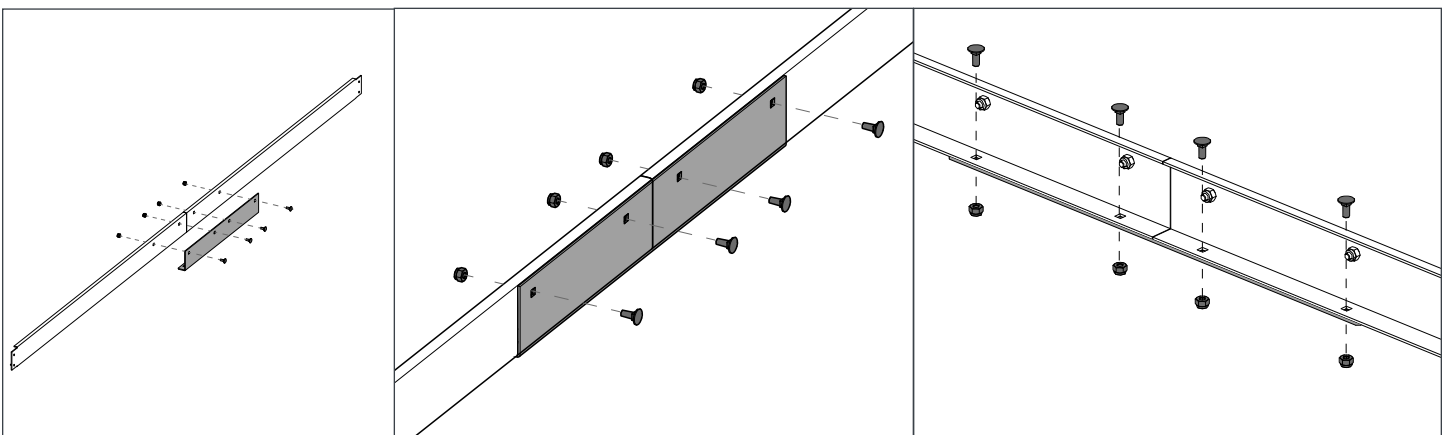


- 10** De même, suivez l'étape 9 sur le côté opposé.



**REMARQUE :** Assurez-vous que les poutres sont installées à la même hauteur dans tous les coins.

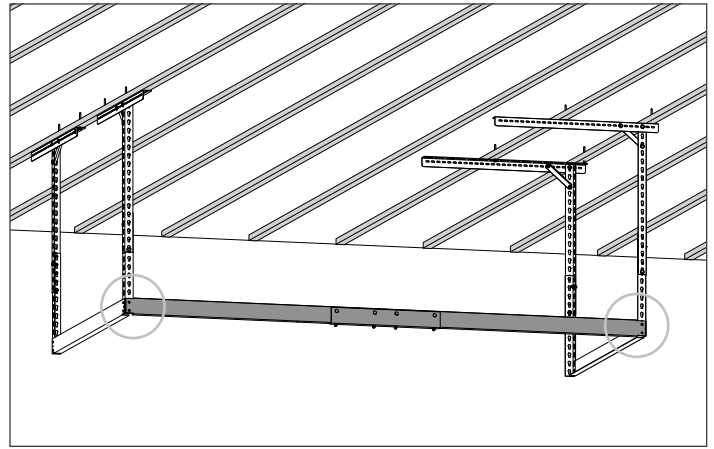
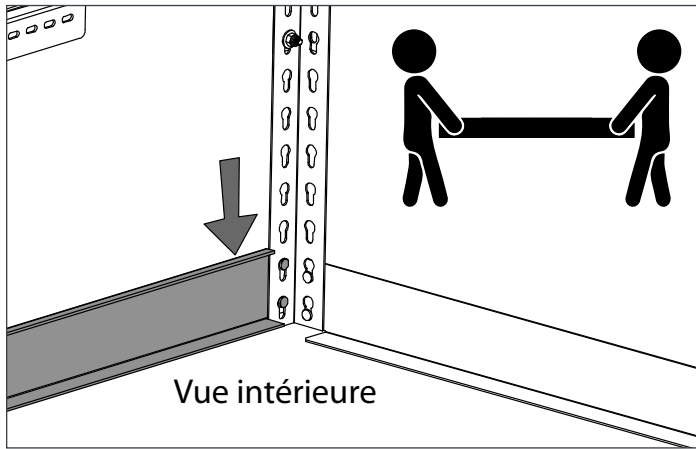
- 11** Boulonnez les deux poutres de périmètre avant et le support de jonction L avant à l'aide de 8 boulons de carrosserie et de contre-écrous.



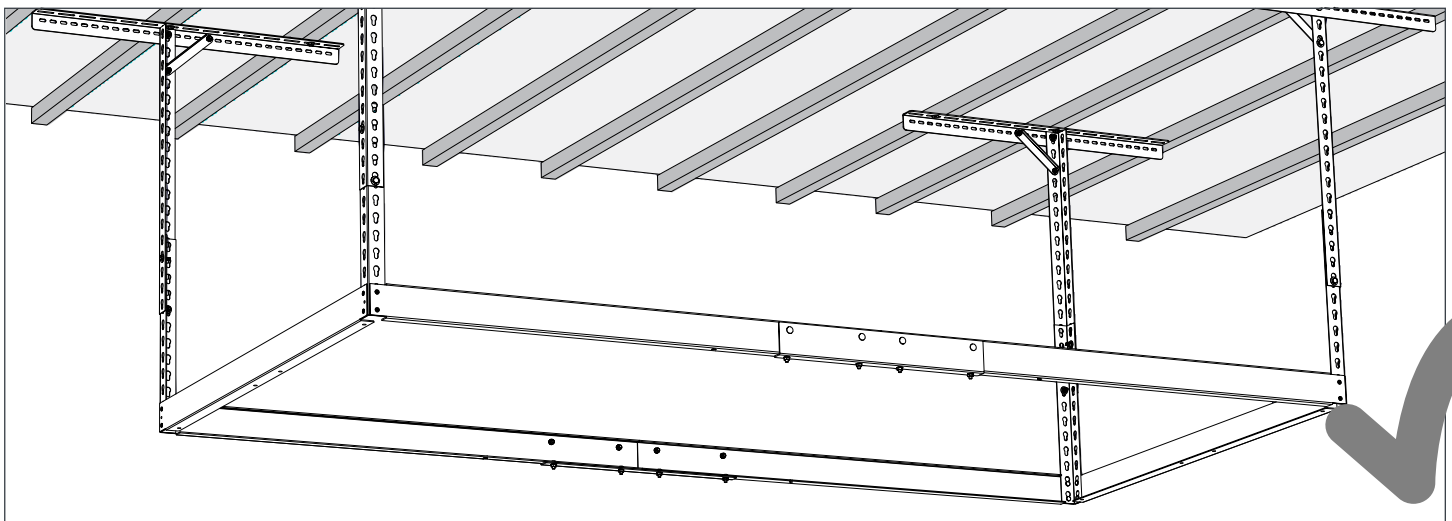
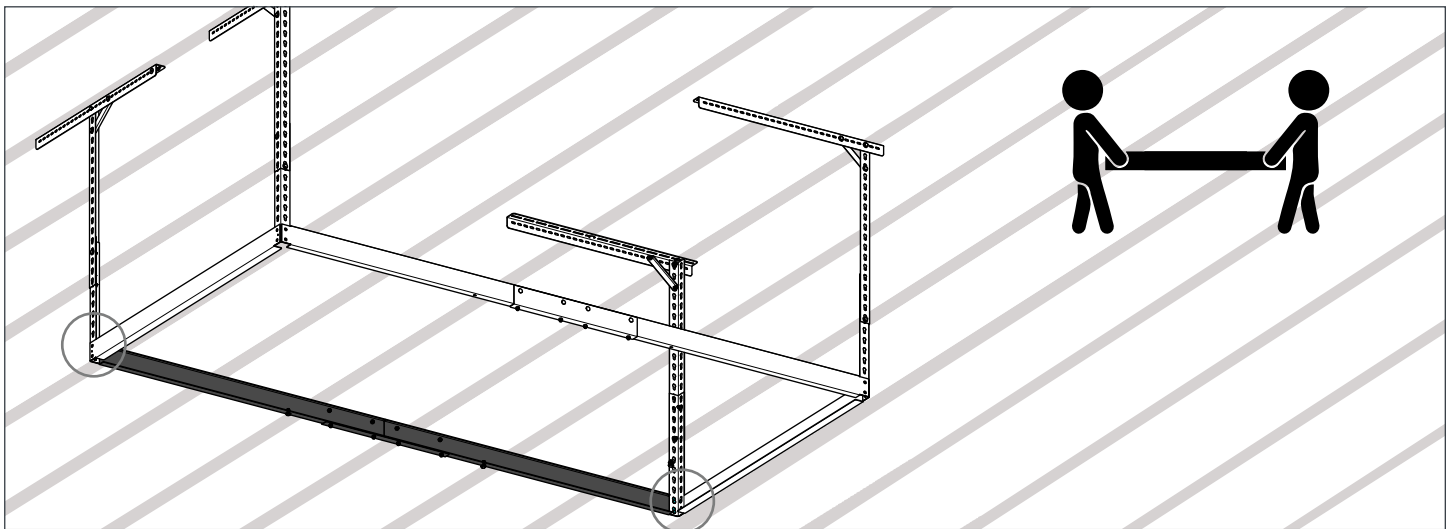
# Installation des montants de périmètre

**REMARQUE :** L'installation des montants de périmètre nécessite deux personnes.

- 12** Guidez les rivets à épaulement à l'extrémité des montants avant dans les fentes en trou de serrure des poteaux verticaux.

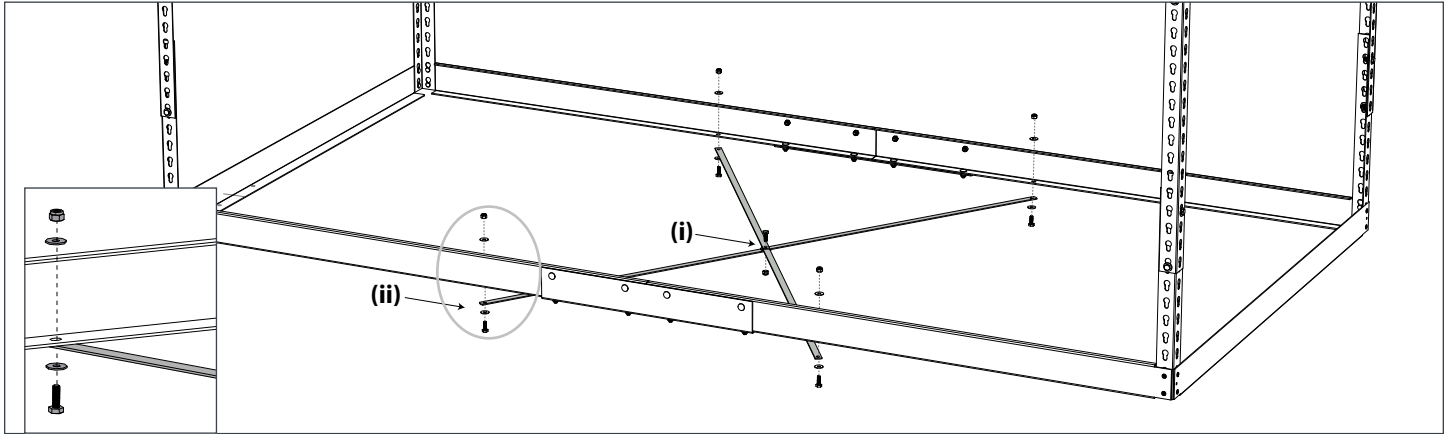


- 13** Répétez les étapes 11 à 12 pour l'installation de l'ensemble arrière horizontal.

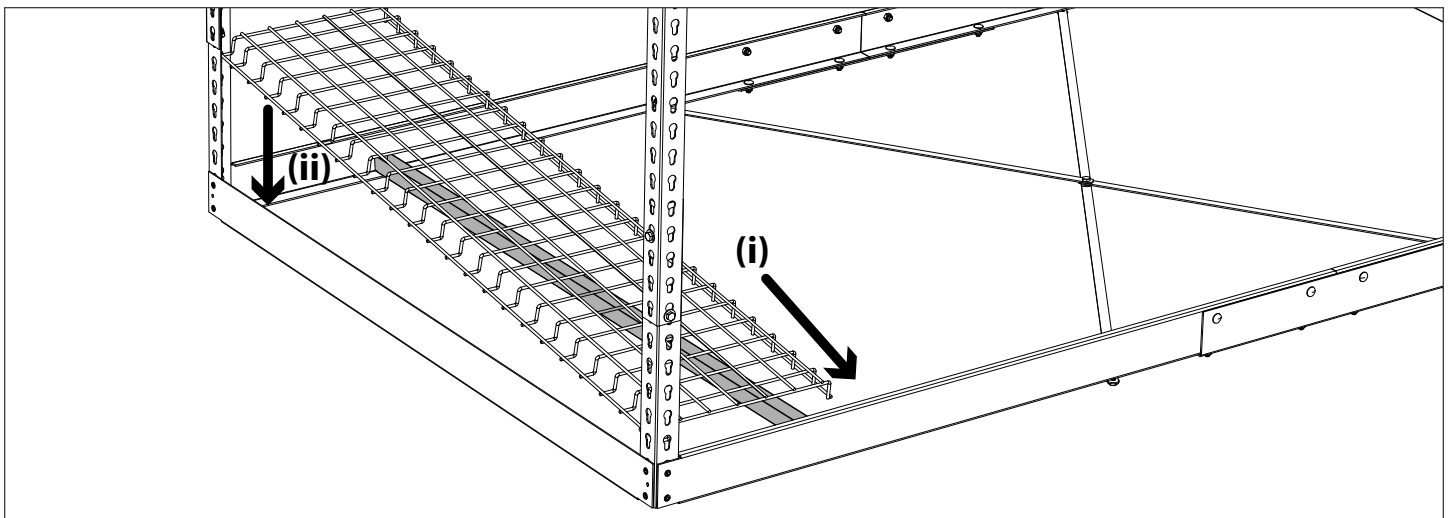


# Ensemble de support transversal et de grille métallique de 4 pi

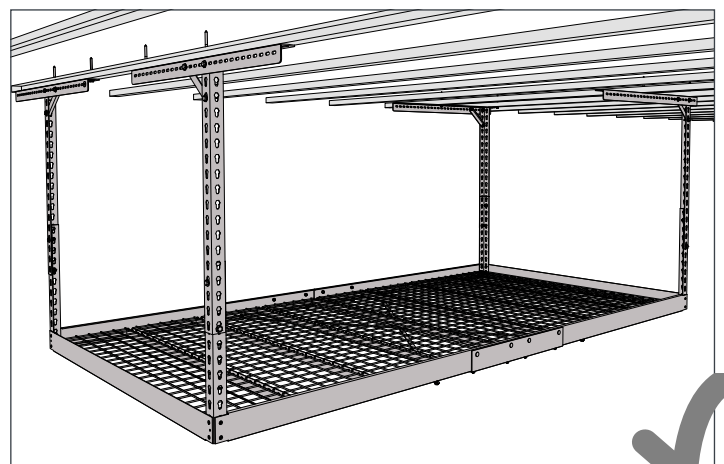
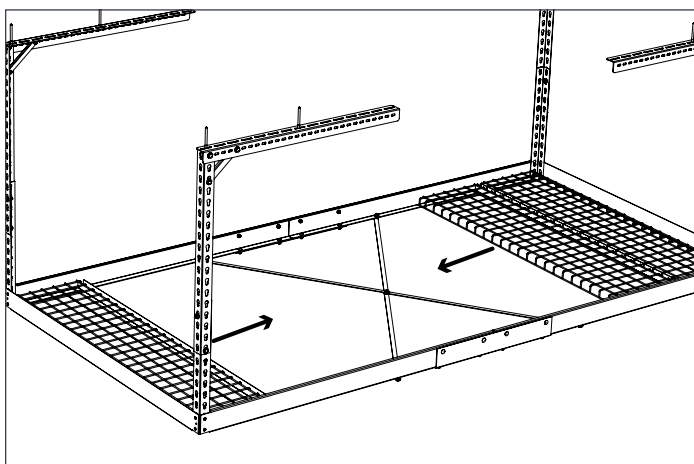
- 14** (i) Assemblez les supports transversaux de 4 pi avec un boulon hexagonal de 1/4 po et un contre-écrou de 1/4 po.  
(ii) Fixez les supports transversaux de 4 pi assemblés au cadre périphérique avec quatre boulons hexagonaux, huit rondelles plates et quatre contre-écrous.



- 15** (i) Commencez par les extrémités latérales du VersaRac Pro et faites glisser les sections de grille de finition avec un support de grille. Les grilles d'extrémité ont des bords pliés sur un côté. Pour faciliter l'installation, placez d'abord les supports de grille, puis pliez la grille vers les montants avant/arrière (i) et mettez-la en place (ii).



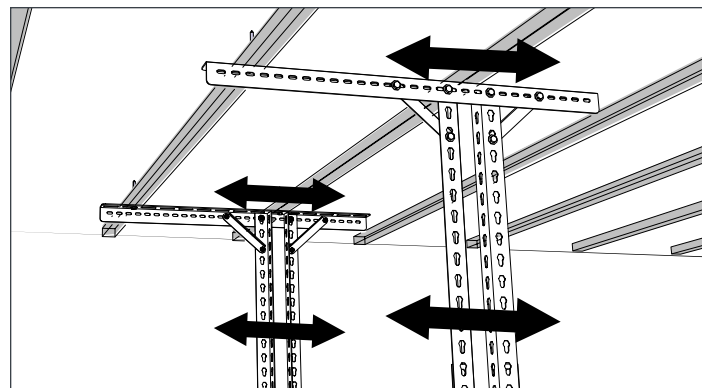
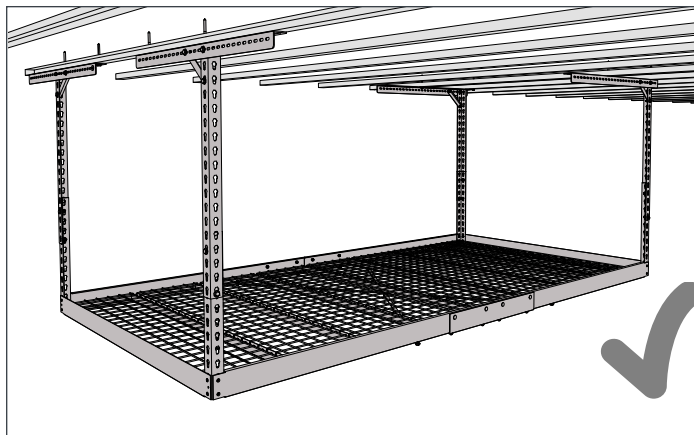
- 16** En vous déplaçant vers l'intérieur, placez les autres supports de grilles métalliques et la section de grille sur le VersaRac Pro.



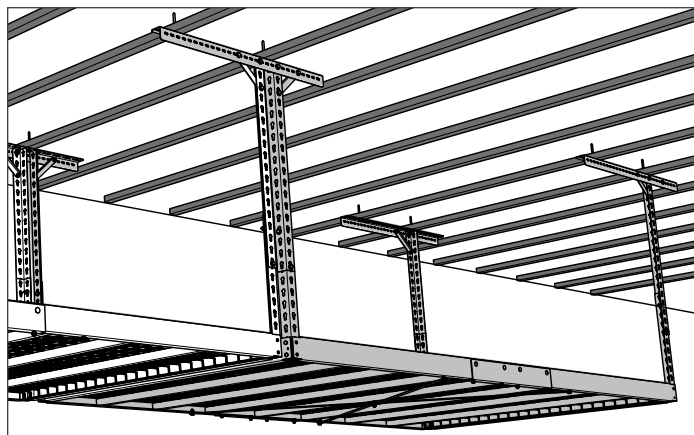
# Installation de deux VersaRac Pro à l'horizontale

**REMARQUES IMPORTANTES :** Assurez-vous que les supports de plafond préinstallés disposent d'un espace suffisant pour installer les poteaux verticaux du deuxième VersaRac Pro.

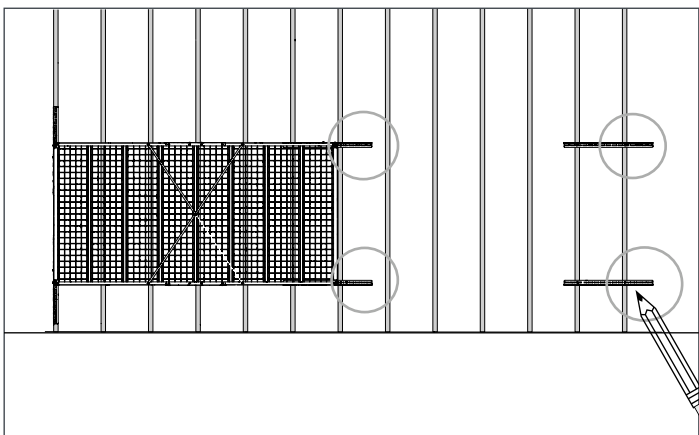
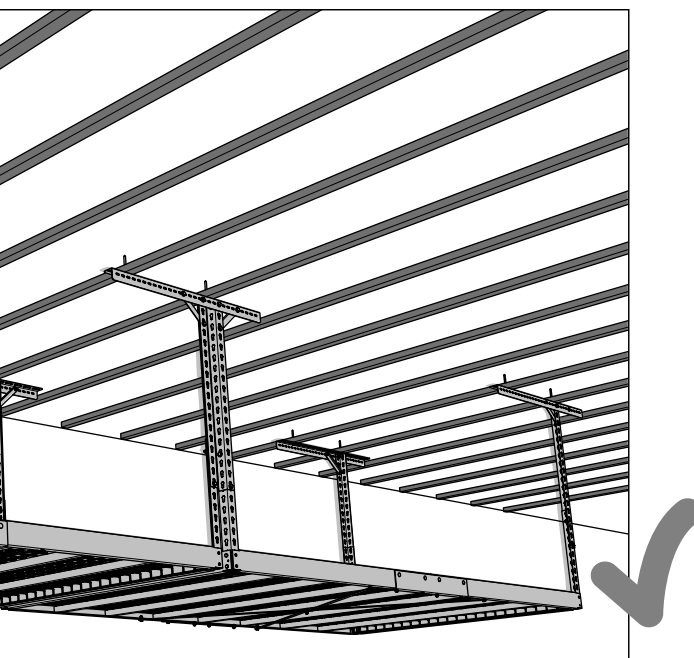
**1** Installez le premier VersaRac Pro en suivant les étapes 1 à 16 indiquées aux pages 13 à 18.



**3** Suivez les étapes 1 à 16 indiquées aux pages 13 à 18 et installez le deuxième VersaRac Pro contre le premier VersaRac Pro installé.

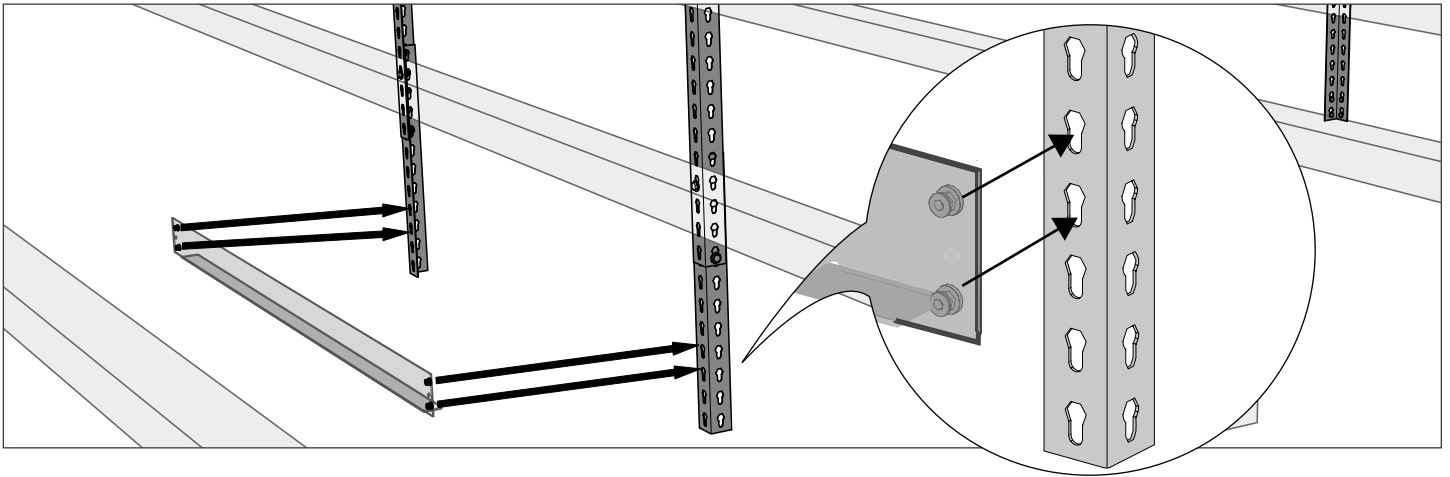


**2** Préparez l'emplacement d'installation du second VersaRac Pro en suivant les étapes A à F des pages 11 et 12.

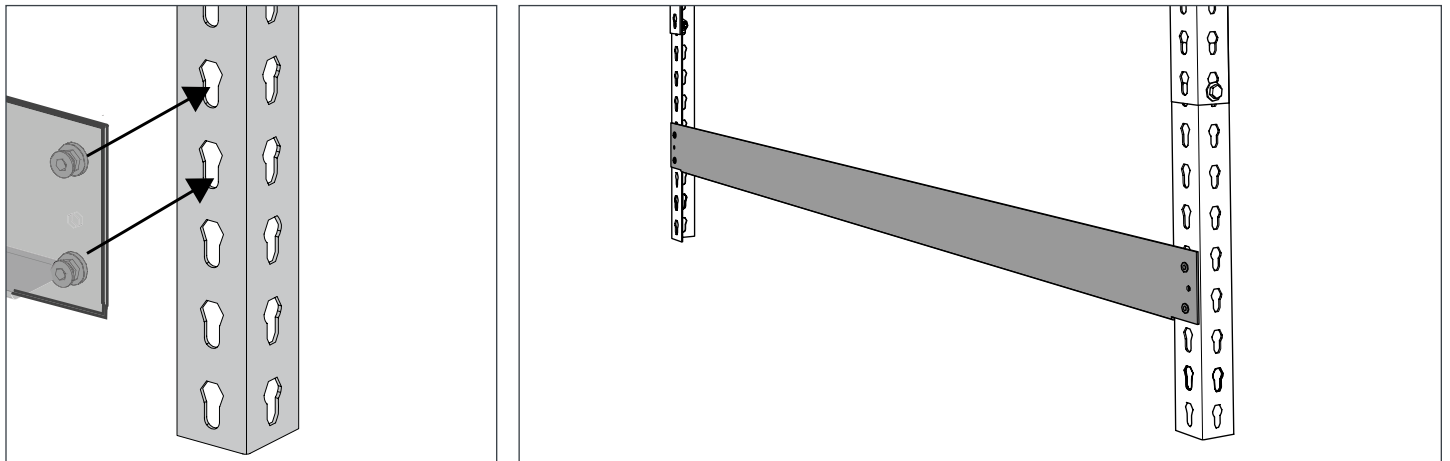


# Installation de deux VersaRac Pro à la verticale

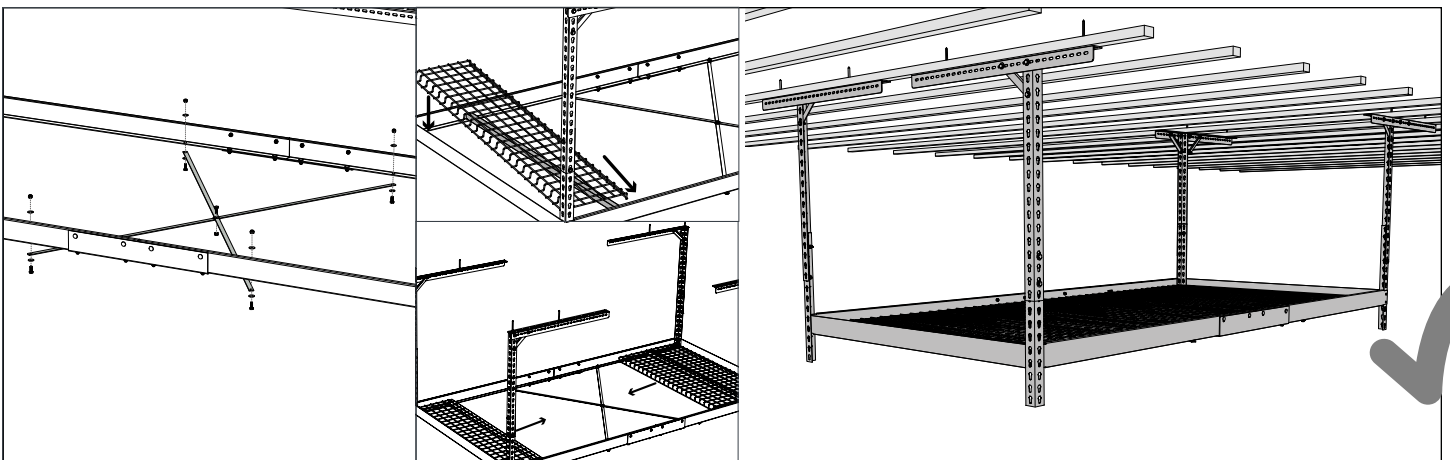
- 1** Insérez le montant en guidant les rivets à épaulement du montant latéral dans les fentes en trou de serrure des poteaux verticaux. Pour les installations verticales, les montants de périmètre doivent être installés avec un décalage de 3 pouces par rapport au poteau vertical inférieur.



- 2** Suivez les étapes 9 à 13 des pages 16 et 17 tout en gardant les montants de périmètre installés décalés de 3 pouces minimum.

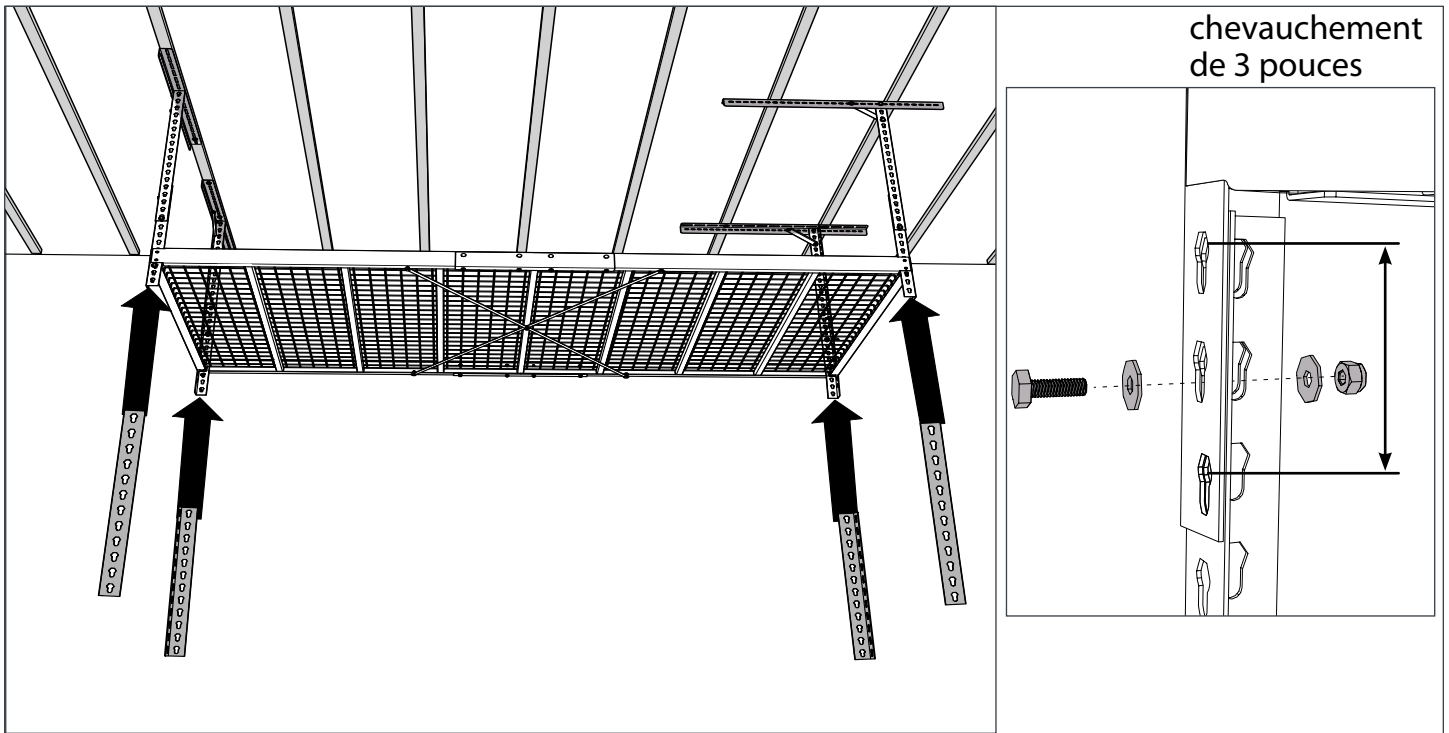


- 3** Suivez les étapes 14 à 16 de la page 18 pour le reste de l'installation du VersaRac Pro supérieur.

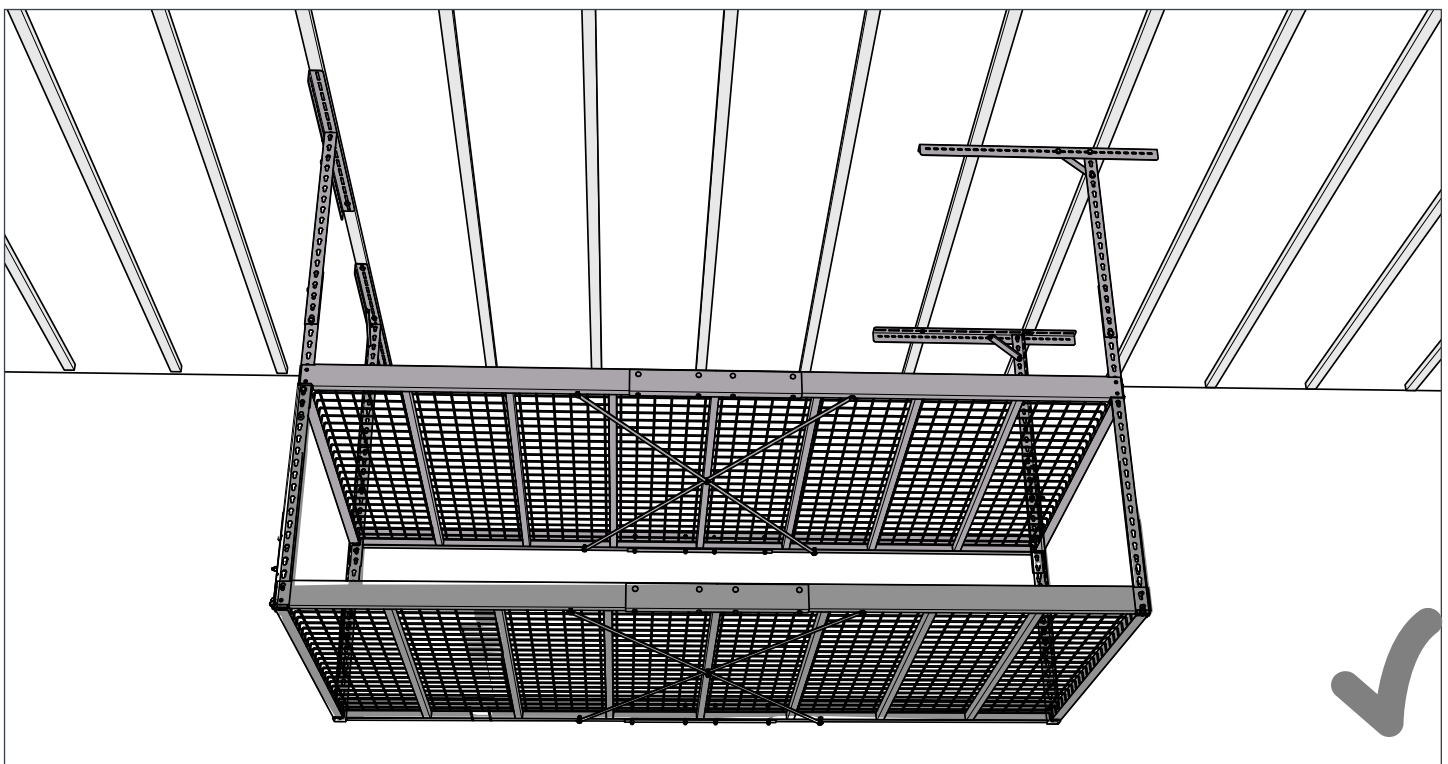


# Installation de deux VersaRac Pro à la verticale

- 4** Installez des poteaux verticaux au bas du premier VersaRac Pro. **REMARQUE :** Les clients peuvent uniquement fixer un poteau vertical de 18 po ou 27 po sur le deuxième VersaRac Pro. **Ne pas installer les deux poteaux verticaux ensemble.**



- 5** Continuez l'installation des poutres périphériques et des autres composants inférieurs du VersaRac Pro en suivant les étapes 9 à 16 des pages 16 à 18.



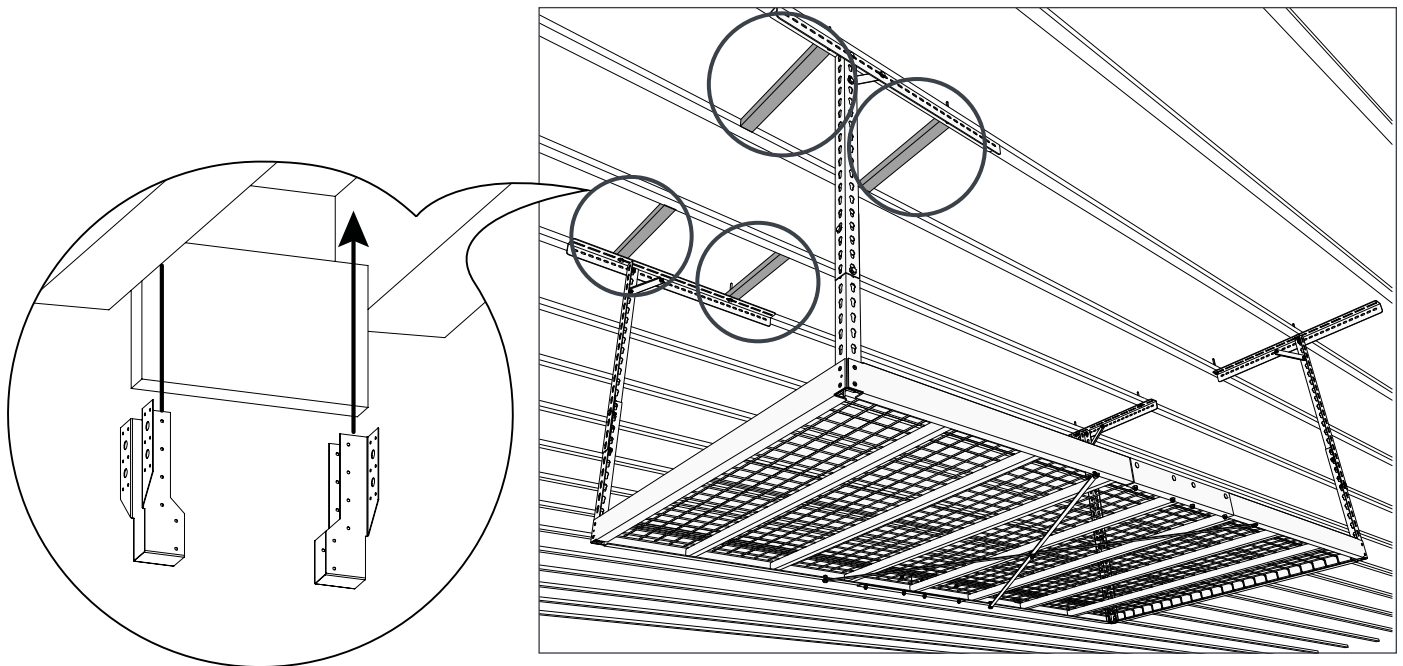
# Conseils d'installation

## Installation d'un support de montant

Si l'espacement de vos montants de plafond ne correspond pas à la taille et à la direction souhaitées de votre installation VersaRac, vous devrez installer un montant dans la bonne position. Veuillez consulter votre entrepreneur professionnel local pour obtenir de l'aide pour l'installation d'un support de montant.

À l'aide des supports de montant appropriés, installez deux montants de plafond en bois supplémentaires à l'endroit souhaité.

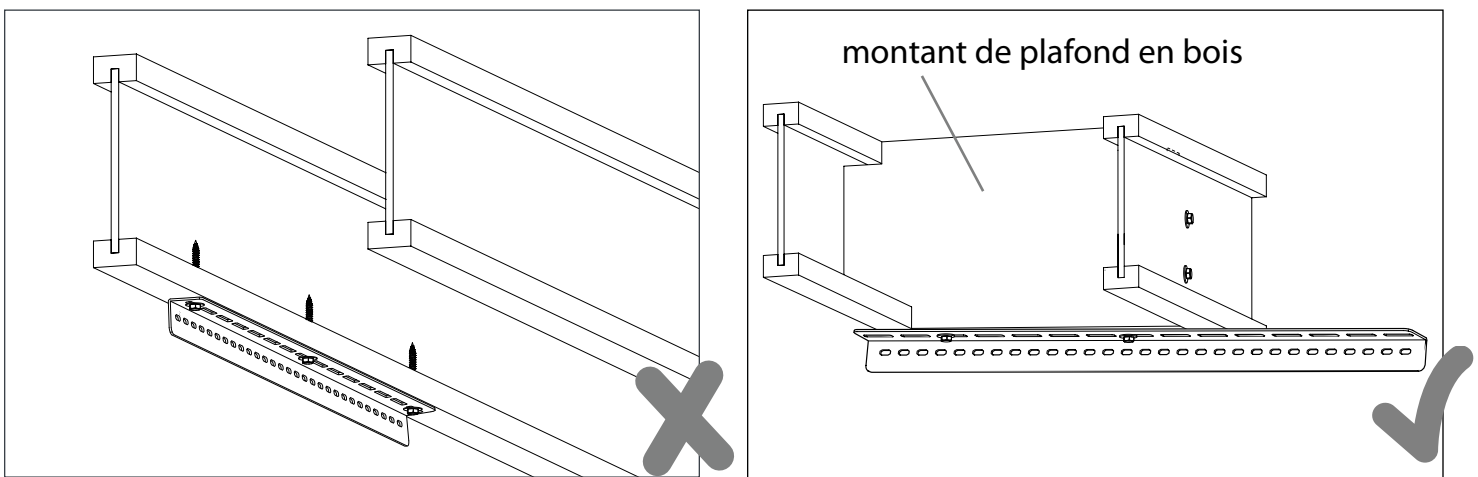
(montant de plafond, support de montant et quincaillerie non inclus)



## Fixation aux montants de plafond d'ingénierie

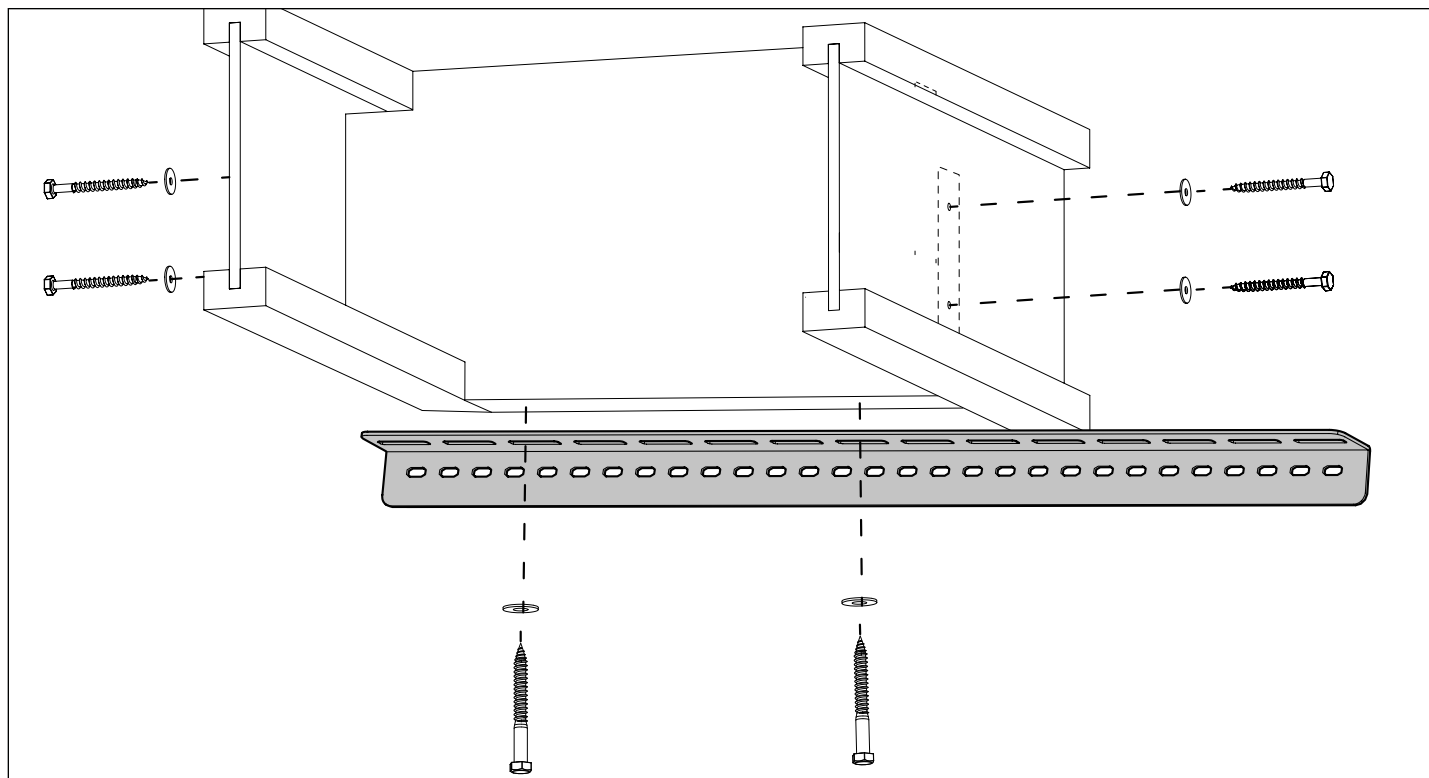
Si la construction de votre plafond utilise des montants de plafond d'ingénierie, vous devez installer un montant de plafond supplémentaire (minimum 2 po x 8 po) perpendiculairement entre deux des montants de plafond d'ingénierie.

Installez quatre montants de plafond en bois supplémentaires aux emplacements requis pour vos supports de plafond, en fonction de la taille et de l'orientation du VersaRac Pro, comme indiqué à la page 6 (montant de plafond et matériel non inclus)



**⚠ Avertissement :** les montants de plafond en bois ne conviennent pas à la fixation directe des supports de plafond.

# Conseils d'installation



Veillez consulter votre installateur professionnel local pour obtenir de l'aide lors de l'installation d'un montant de plafond afin de vous assurer qu'elle est conforme aux exigences du code du bâtiment local.