

BOLD 3.0 SERIES - ALL IN ONE 4 PIECE SET

INSTALLATION GUIDE



WARNING: Excessive weight hazard!

Use two or more people to move, assemble, or install cabinets and locker to avoid back injury. Do not leave children unattended near cabinets. High risk of tipping if cabinets are installed incorrectly: securely attach cabinets to the wall to avoid serious injury. For assistance, call 1.877.306.8930; e-mail at info@newageproducts.com.



ATTENTION:

Is your cabinet damaged?
Need help or spare parts? For fastest service, contact NewAge Products at 1-877-306-8930; or support@newageproducts.com. Do not return to the retailer.

Index

NewAge Products Inc. Bold Series Manufacturer Warranty	3
Unpacking	4
Tools Needed	4
Parts Supplied	5
Spare Part	6
Worktops, Weight Capacity	7
Installing the Feet	8
Mounting Locker to the Drywall	9
Fastening Wall cabinet to the Locker	10
Attaching Light Valance to Wall Cabinet	12
Installing the Workbench	13
Installing the Workbench to the Locker	15
Installing the Drawers	16
Installing the Workbench to the Wall	17
Installing the Workbench Shelf	18
Inserting Shelves and Closet Rod	19
Utility Access	20
Slatwall Installation	21

NEWAGE PRODUCTS INC. BOLD SERIES MANUFACTURER WARRANTY

PROOF OF PURCHASE IS REQUIRED TO OBTAIN WARRANTY SERVICE.

Please have the following information available when you call our customer service team:

- Name, address and telephone number
- Product Name / SKU Number
- A clear, detailed description of the problem
- Proof of purchase including order number

Register your NewAge Products purchase online for quicker customer assistance and access to exclusive benefits

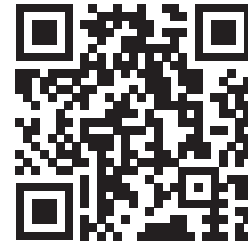
Visit www.newageproducts.com/register/

Warranty Claim

For warranty service please contact NewAge Products at **1-877-306-8930**; or support@newageproducts.com

Please review all warranty details below, prior to contacting NewAge Products for a claim.

Scan the QR code on the right to access our support page or visit www.newageproducts.com/contact-us/



Scan this QR code with the camera on your mobile device to visit the NewAge Products Support Hub

www.newageproducts.com/support-hub/

LIFETIME LIMITED WARRANTY

WHAT IS COVERED

When this product is installed, operated and maintained according to the instructions attached to or furnished with the product, NewAge Products Inc. will replace the defective product or parts if the part fails as a result of defective materials or workmanship for the warranty duration from the purchase date of the product.

WHAT IS NOT COVERED

1. Service calls to correct the installation of any NewAge products or to instruct you how to use or install them.
2. Damage resulting from products caused by accident, misuse, abuse, fire, flood, improper installation, acts of God, neglect, modification or mishandling.
3. Products damaged by improperly loading beyond the specified maximum weight capacity outlined in the instructions provided with the product.
4. Repairs or replacement when your product is used in other than normal, residential use, such as a commercial environment, or handled in anyway inconsistent with the installation instructions included with the product.
5. Cosmetic damage, including scratches, dings, dents or cracks in paint that do not affect the structural or functional capability of the product.
6. Surfaces damaged due to improper use of chemicals, and detergents.
7. Replacement parts for NewAge products outside Canada and the United States.
8. Loss due to theft.
9. Damage resulting from use of the product contrary and not in accordance to the instruction manual.
10. Any labor costs during the warranty period.
11. Replacement keys or locking mechanisms.

DISCLAIMER OF IMPLIED WARRANTIES

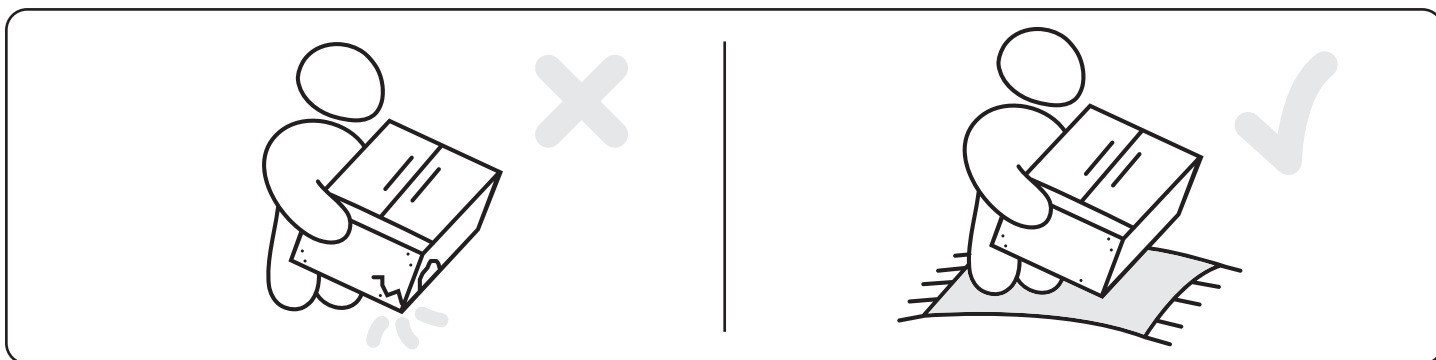
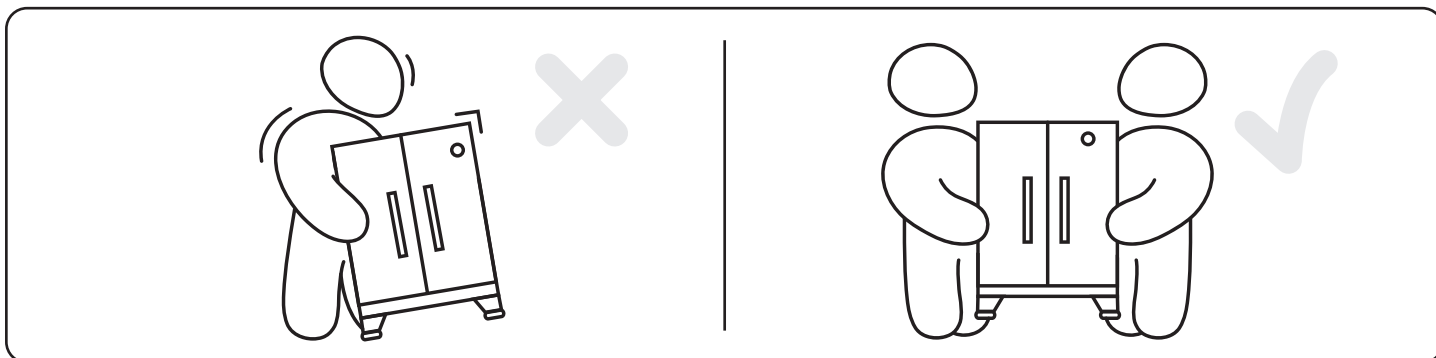
IMPLIED WARRANTIES, INCLUDING TO THE EXTENT APPLICABLE WARRANTIES OF MERCHANTABILITY OR FITNESS FOR A PARTICULAR PURPOSE, ARE EXCLUDED TO THE EXTENT LEGALLY PERMISSIBLE. ANY IMPLIED WARRANTIES THAT MAY BE IMPOSED BY LAW ARE LIMITED TO ONE YEAR, OR THE SHORTEST PERIOD ALLOWED BY LAW. THIS WARRANTY IS LIMITED TO THE ORIGINAL BUYER. Some states and provinces do not allow limitations on the duration of implied warranties of merchantability or fitness, so this limitation may not apply to you. This warranty gives you specific legal rights, and you also may have other rights that vary from state to state or province to province.

LIMITATION OF REMEDIES; EXCLUSION OF INCIDENTAL AND CONSEQUENTIAL DAMAGES

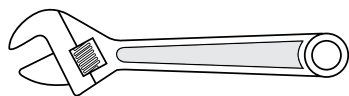
YOUR SOLE AND EXCLUSIVE REMEDY UNDER THIS LIMITED WARRANTY SHALL BE PRODUCT REPAIR OR REPLACEMENT AT OUR DISCRETION AS PROVIDED HEREIN. NEWAGE SHALL NOT BE LIABLE FOR INCIDENTAL OR CONSEQUENTIAL DAMAGES. Some states and provinces do not allow the exclusion or limitation of incidental or consequential damages, so these limitations and exclusions may not apply to you. This warranty gives you specific legal rights, and you also may have other rights that vary from state to state or province to province.

Unpacking

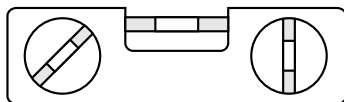
- Begin by placing the package on a covered flat surface.
- Remove all cardboard, foam packaging material and clear plastic bags.
- Dispose / recycle all packaging materials.
- Verify all the contents in the box and gather the required tools. See "Parts" and "Tools Needed" in the list below.



Tools Needed



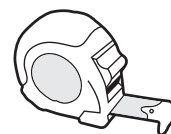
1 x Adjustable wrench



1 x 12" Magnetic Leveler



1 x Stud Finder



1 x Tape Measure

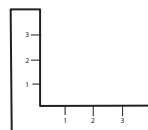


1 x 7/16" Socket driver wrench

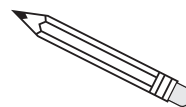
1 x 8mm" Socket driver wrench



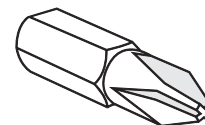
1 x 7/16" socket



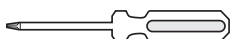
1 x Set Square



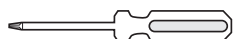
1 x Pencil



1 x #2 Phillips Bit



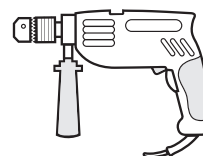
1 x #2 Phillips head screw driver



1 x #3 Phillips head screw driver



1 x Cordless Power Drill



1 x Hammer Drill



1 x Masonry Bit

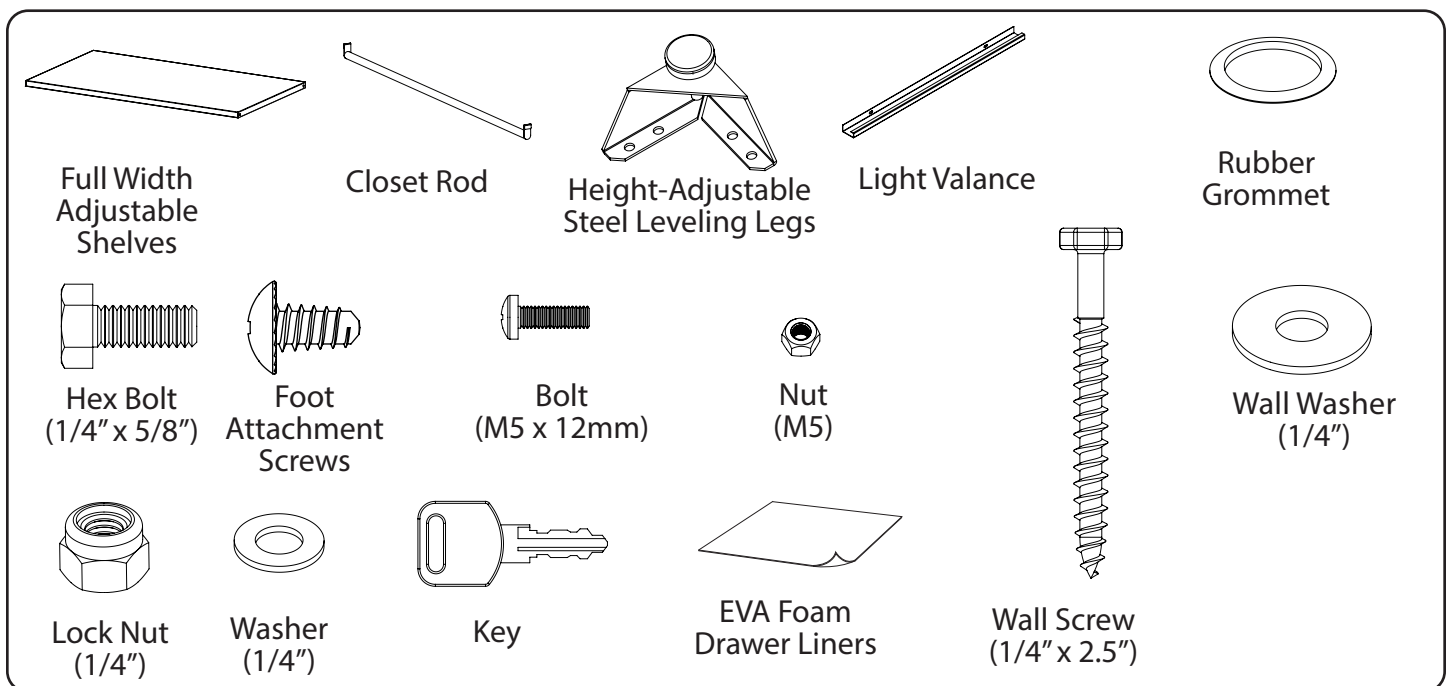
[optional for masonry]

Parts Supplied

Type	Hardware	Locker	Wall	Workbench
Hardware Pack	1/4" ID x 1/2" OD Washer	22	8	18
	1/4" Lock Nut	8	4	0
	1/4" x 0.9" Fender Washer	4	6	3
	1/4" x 2.5" Wall Screw	4	6	3
	1/4"-20 x 5/8" Hex Bolts	10	4	0
	1/4"-20 x 5/8" Button Head Screw	0	0	23
	Foot Attachment Screws	17	0	0
	Keys	2	2	0
	Light Valence Bolts	0	3	0
	Light Valence Nuts	0	3	0
	Dia 4mm Ball End Allen key	1		
Included Components	Plastic Hole Caps	16	8	0
	Adjustable Leveling Feet	4	0	2
	Rubber Grommet	1	0	0
	Essentials Rubber Grommet	0	0	2
	Adjustable Shelves	3	0	0
	Cabinet Leg	4	0	0
	Closet Rod	1	0	0
	EVA Foam Drawer Liners	0	0	2
	Light Valence	0	1	0

Note:

Extra hardware will be in the hardware pouch.




Spare Parts

S. No	Part Number	Description	BOM QTY	Spare Parts SKU	Spare Parts Qty
1	PB3-281.002A-01-XX H00165A-01	60in Essential Single Wall Door	1	74000 - Red 74001 - Black 74002 - Platinum 74003 - Grey	1
2	PB3-287A-01-XX PB3-287.002A-01-XX H00691A-01 H00110A-01	60in Worktop Shelf	1	74004 - Black 74005 - White	1
3	PB3-285.002A-01	60in Worktop Drawer	2	74006 - Red 74007 - Black 74008 - Platinum 74009 - Grey	1
4	H00850A-01	Essential Rubber Grommet	2	74010	1
5	PB3-293A-01 H00691A-01 H00110A-01	Essential Workbench Leg	(Pack Of 2)	74011 - Black 74012 - White	(Pack Of 2)
6	H00864A-01	3in Gas Spring For Door	2	74013	1
7	PB3-05.003A-01-XX PB3-05.004A-01-XX H00165A-01	Bold 3.0 - 30" Locker Doors	(Pack Of 2)	49031 - Black 50031 - Grey 50229 - Red 56759 - Platinum	(Pack Of 2)
8	PB3-05.005A-01-XX	Bold 3.0 - 30" Closet Rod	1	50033 - Black 56760 - White	1
9	PB3-05.002A-01-XX	Bold 3.0 - 30" Locker Shelves	(Pack Of 2)	50032 - Black 56761 - White	(Pack Of 2)
10	H00051A-01	Rubber Powercord Grommet	1	50982 - Black	1
11	PB3-16.005.01A-01-XX H00088A-01	Bold 3.0 Feet with Hardware	(Pack Of 4)	50971 - Black 50981 - White	(Pack Of 4)
12	H00090A-01 H00165A-01	Locker Lock (Cylinder and Key)	1	50976	1
13	H00084A-01	Threaded Leveling Legs	(Pack Of 4)	50972	(Pack Of 4)
14	PB3-14.003.04A-01 PB3-14.003.05A-01	Plastic Extrusion End Cap	(Pack Of 2)	50973	(Pack Of 2)
15	H00056A-01	Plastic Bushing for Spring Pin Hinges	(Pack Of 4)	50238	(Pack Of 4)
16	H00047A-01	Spring Pin Hinges	(Pack Of 4)	50995	(Pack Of 4)
17	H00041A-01	Lag Screw - 0.25in x 2.5in	10	54038	1
18	H00042A-01	Fender Washer- 0.25in x 0.875in	10	54039	1
19	H00043A-01	Hex Bolt - 0.25-20x0.625in	18	54040	1
20	H00044A-01	Washer - 0.25ID x .75OD	30	54041	1

Spare Parts

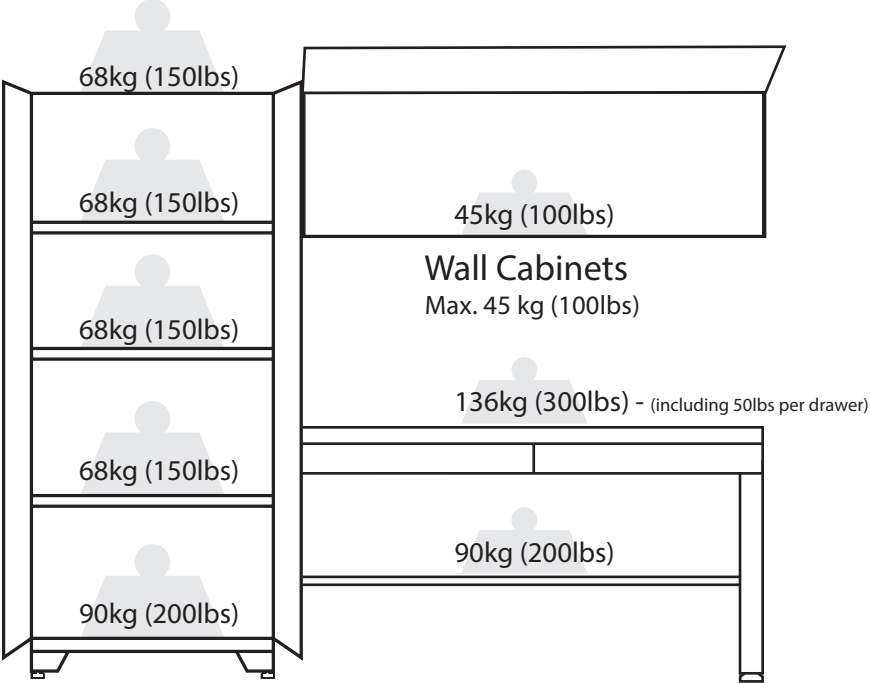
21	H00055A-01	Lock Nut - 0.25 Inch	16	54042	1
22	H00169A-01	Wood Screw(#8 x 5-8in)	2	54043	1
23	H00071A-01	GB818-M5x12	3	54046	1
24	H00072A-01	M5 Nut	3	54047	1
25	PB3-281.003A-01-XX H00071A-01 H00072A-01	60in Essential - Wall Light Valance with Hardware	1 Set	74014 - Black 74015 - White	1 Set
26	PB3-313.001A-01	Bold series 60in. Essential Rubberwood worktop	1	37510	1

Worktop



60" Worktop

Weight Capacity



Lockers
Max. 363kg (800lbs)

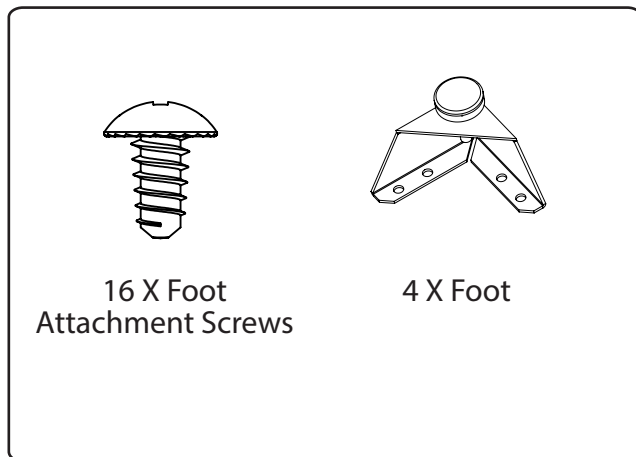
- 68kg (150lbs)
- 68kg (150lbs)
- 68kg (150lbs)
- 68kg (150lbs)
- 90kg (200lbs)

Workbench
Max. 225 kg (500lbs)

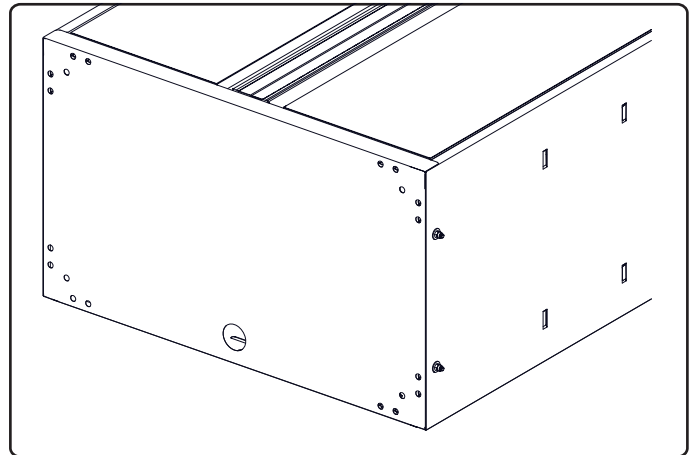
- 45kg (100lbs)
- Wall Cabinets
Max. 45 kg (100lbs)
- 136kg (300lbs) - (including 50lbs per drawer)
- 90kg (200lbs)

Installing the Feet

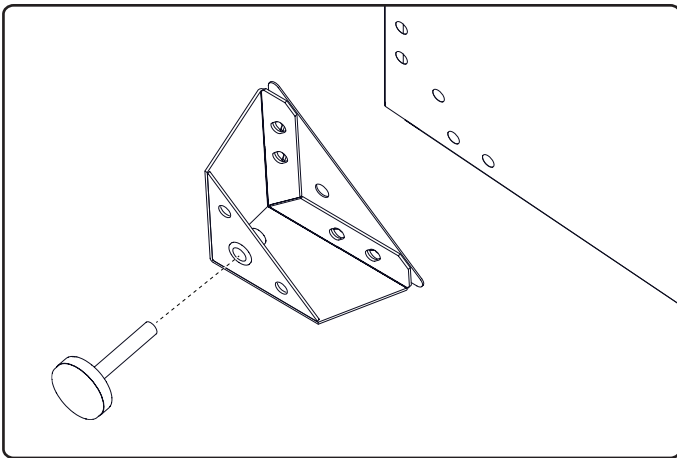
i Parts Needed.



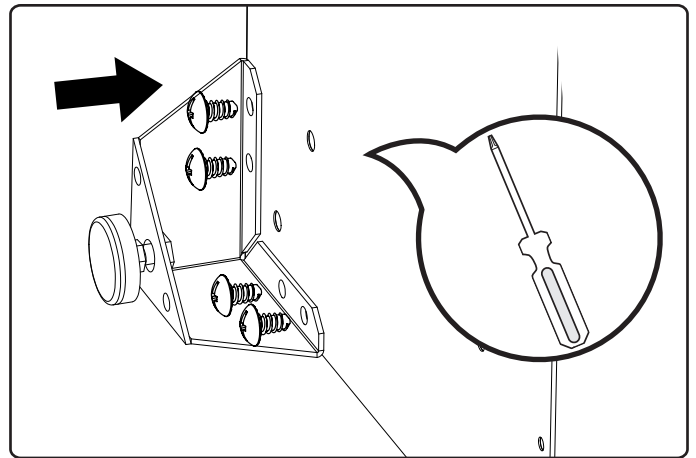
1 Remove any shelves or loose items. Lay cabinet on its back.



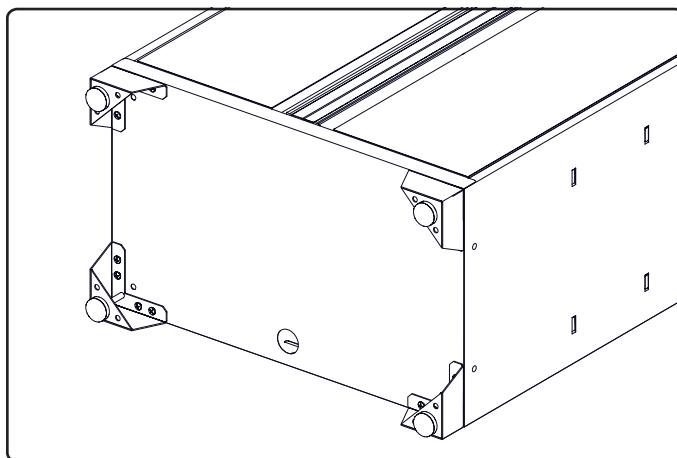
2 Install all 4 levelling legs into the feet.



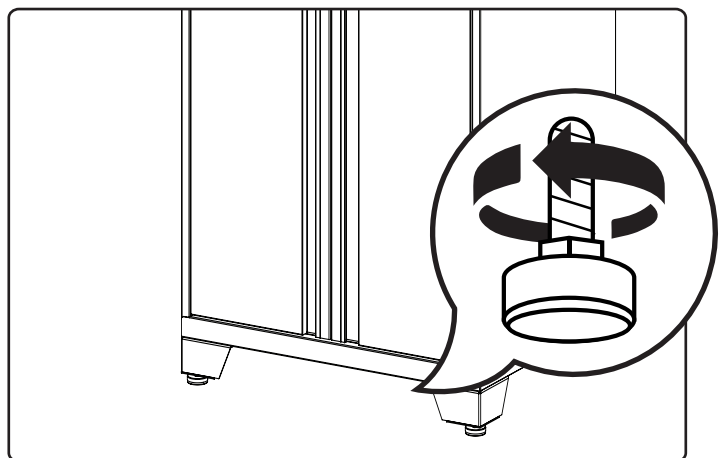
3 Align foot with edge of cabinet. Screw in 4 x foot attachment screws using #3 philips screwdriver.



4 Repeat step 3 for each corner.

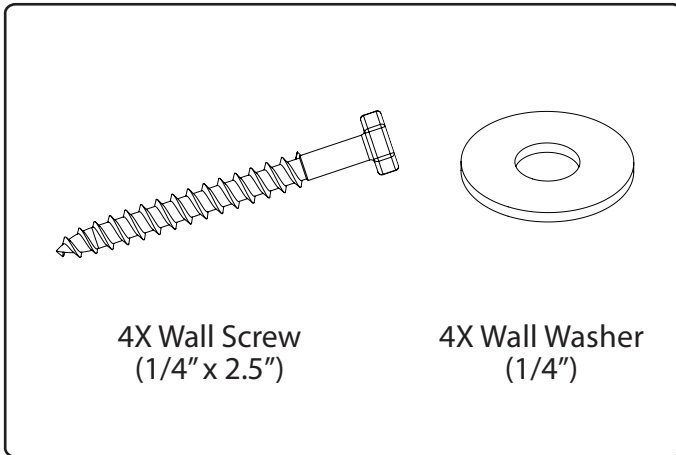


5 Stand & level cabinet.

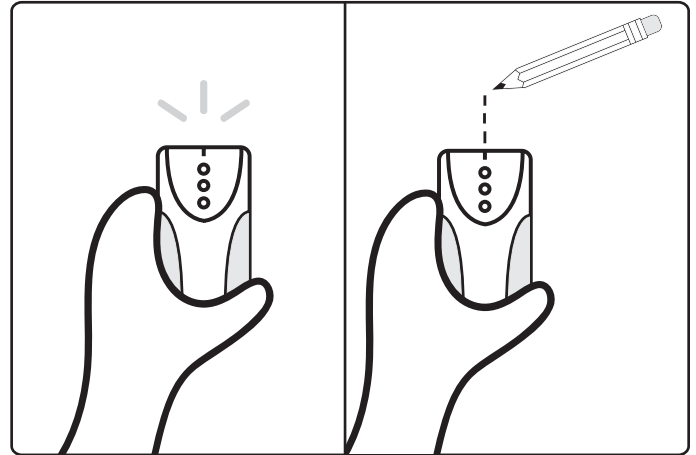


Mounting Locker to the Wall Stud

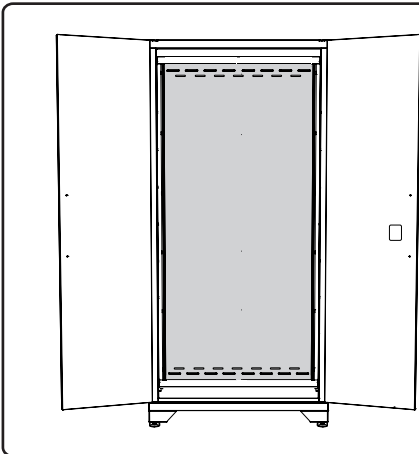
i Parts Required



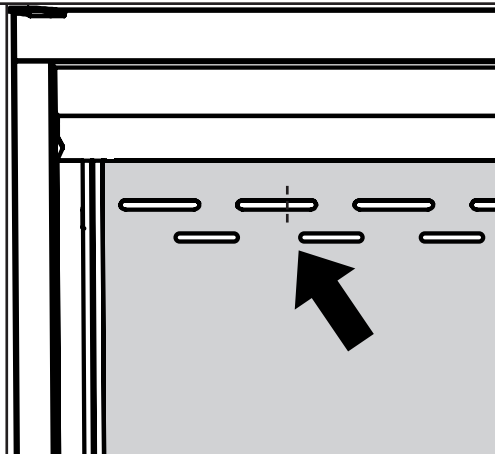
1 Use stud finder to locate the studs and mark the wall with a pencil.



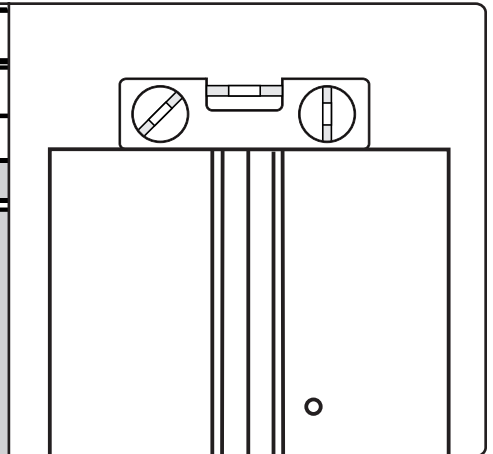
2 Place cabinet tight against the wall.



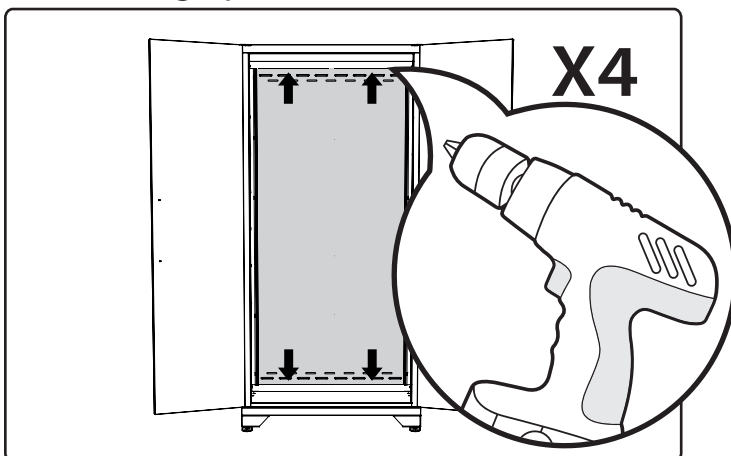
3 Align cabinet to stud marks.



4 Level cabinet by adjusting feet



5 Install 4 wall screws and washers through perforated holes into studs.



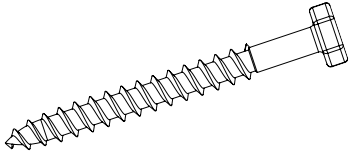
i Masonry.

- Follow steps 2 to 4.
- Drill 4 pilot holes through the perforated holes with hammer drill & masonry bit.
- **Follow Step 5 using:**
- Use 4 x (2 1/4" x 1/4") Tapcon Concrete Anchor into wall. (Not Included)
- **OR** 4 x (#10 x 2") Screw with 3/16" masonry plug into wall. (Not Included)

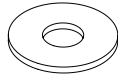
Installing Wall Cabinet

Parts Required

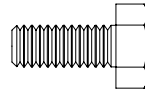
Note: Hardware are separated between blister pack and hardware bag.



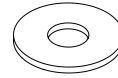
6x Wall Screw
(1/4" x 2.5")



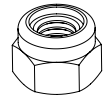
6x Wall Washer
(1/4")



2x Hex Bolt
(1/4" x 5/8")

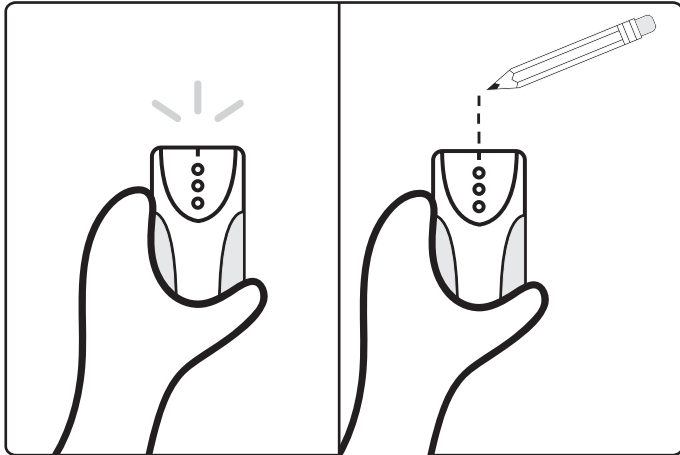


3x Washer
(1/4")

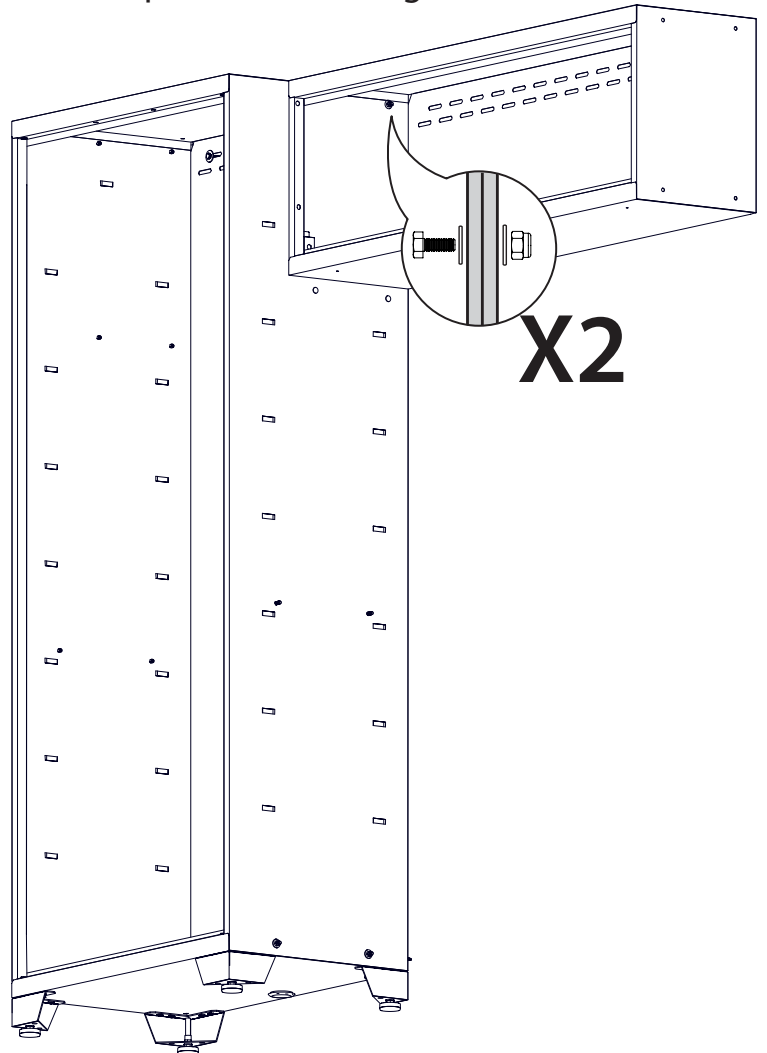



2x Lock Nut
(1/4")

- 1** Use stud finder to locate the studs and mark the wall with a pencil.



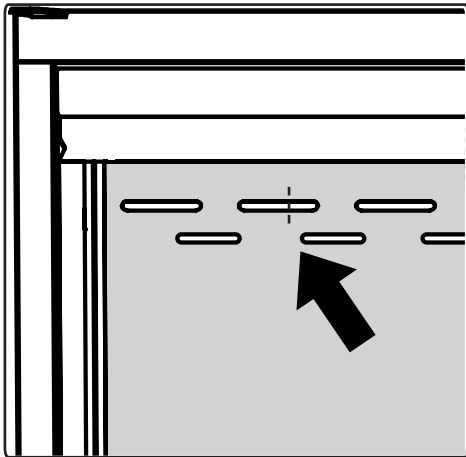
- 2** Fasten the wall cabinet to the locker using the 2x Hex bolt, 2x lock nut, and 4x washer, using the top two connecting holes.



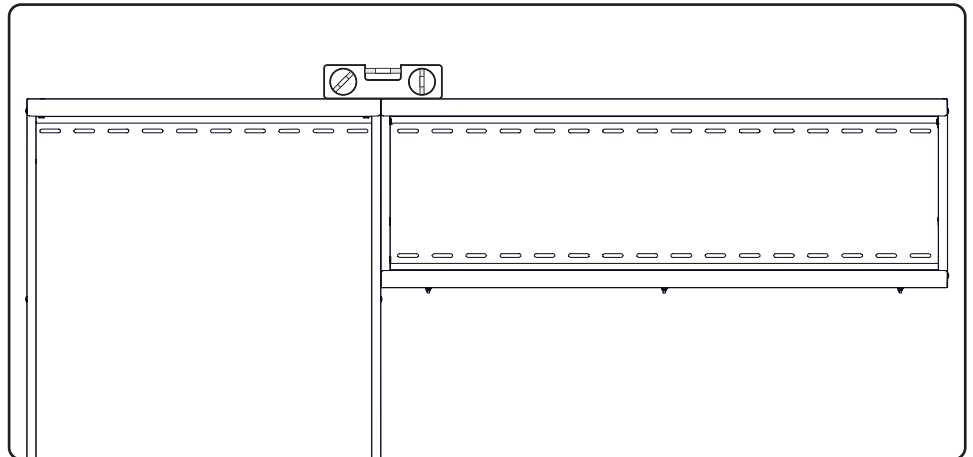
- Note:**  The wall cabinet can be mounted either the left or right side of the locker.

Installing Wall Cabinet

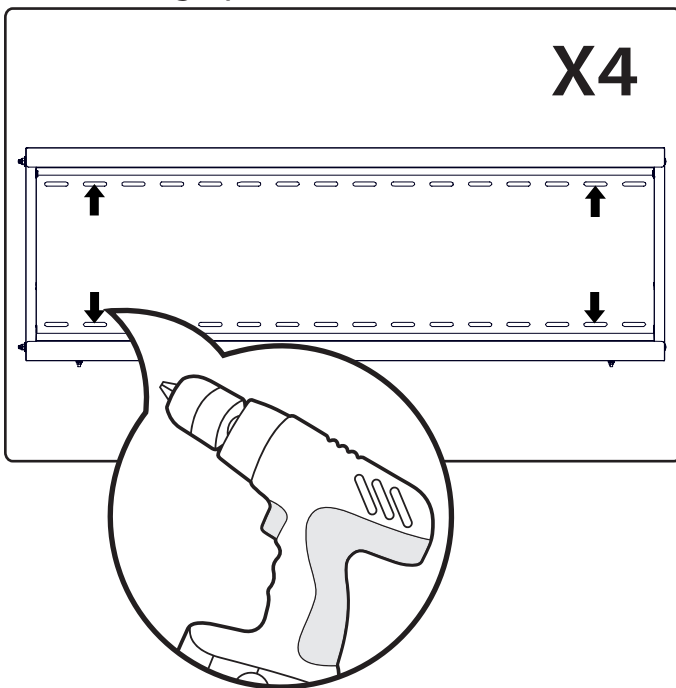
3 Align cabinet to stud marks.



4 Level cabinet using a leveller.



5 Install 4x wall screws and washers through perforated holes into studs.



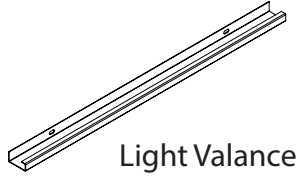
i Masonry.

- Follow steps 3 to 4.
- Drill 4 pilot holes through the perforated holes with hammer drill & masonry bit.
- **Follow Step 3 using:**
- Use 4 x (2 1/4" x 1/4") Tapcon Concrete Anchor into wall. (Not Included)
- **OR** 4 x (#10 x 2") Screw with 3/16" masonry plug into wall. (Not Included)

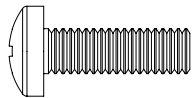
Attaching Light Valance to Wall Cabinet

i Parts Needed.

Note: Hardware are separated between blister pack and hardware bag.

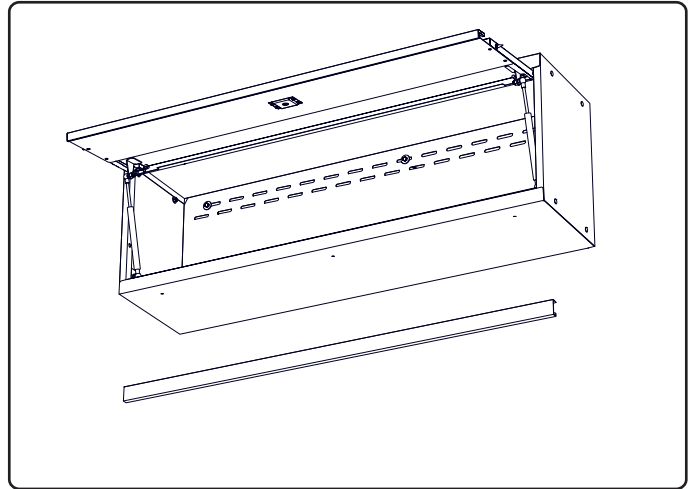


3x Nut
(M5)

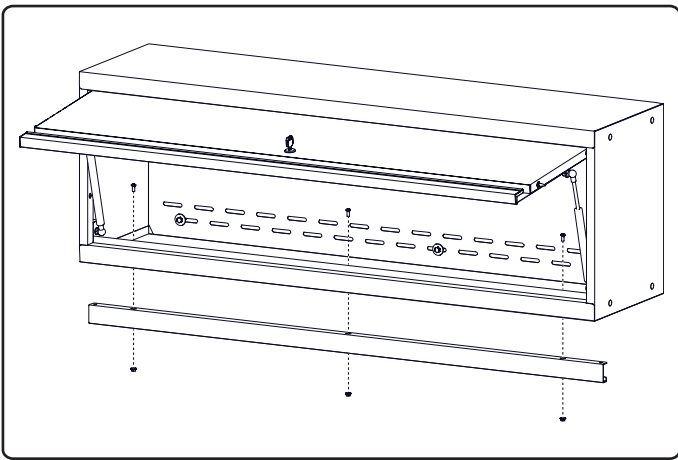


3x Bolt
(M5 x 12mm)

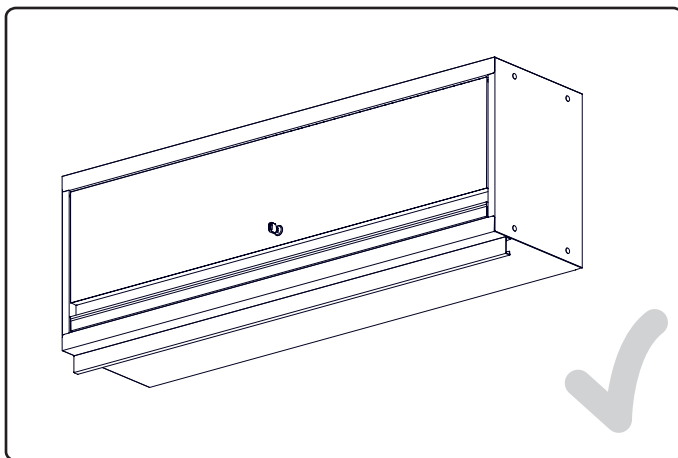
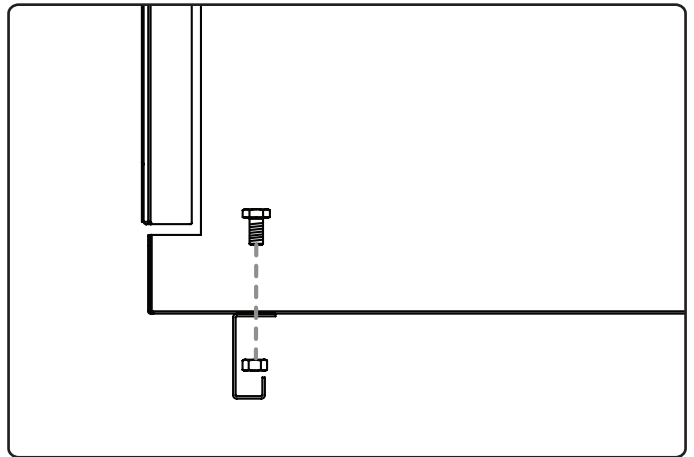
1 Align holes of valance with cabinet.



2 Insert and tighten bolt and nuts.



3 Cross Section View



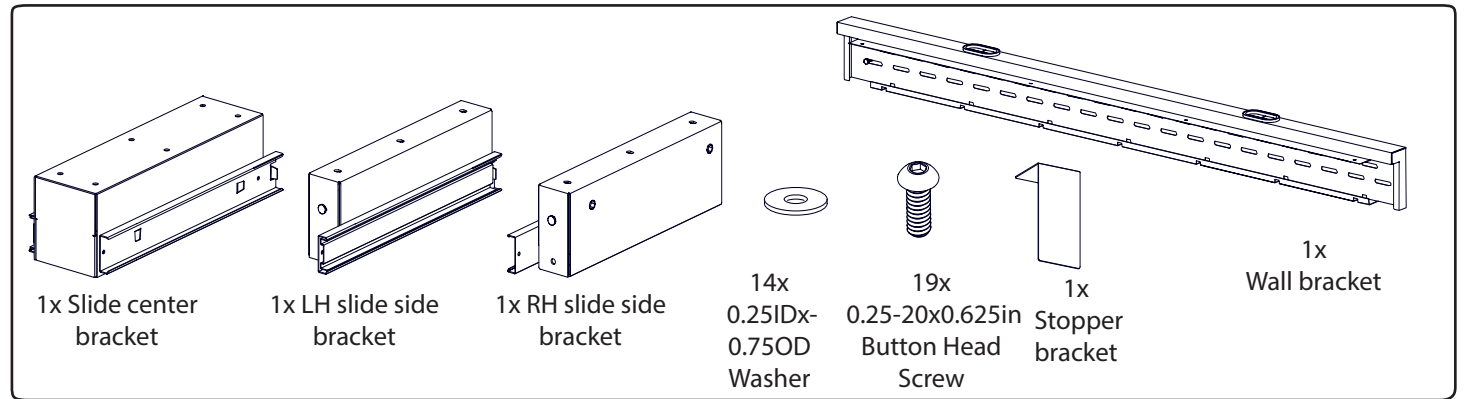
Note:

If installing the PVC backsplash, leave this step for last.

Installing the Workbench

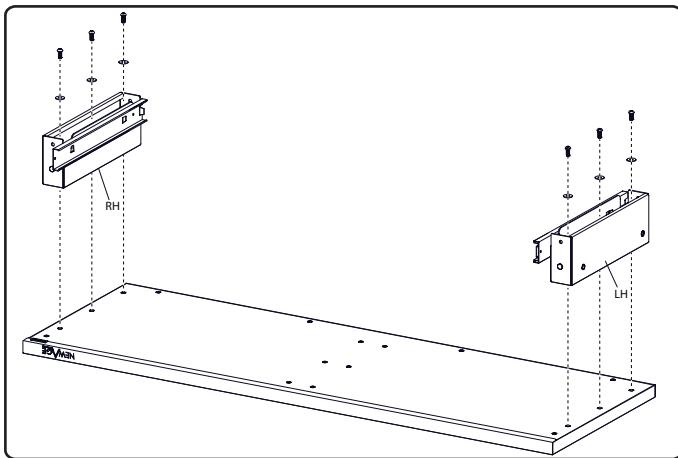
Note: For partially installed worktops, please skip steps 1 to 5.

Parts Needed.

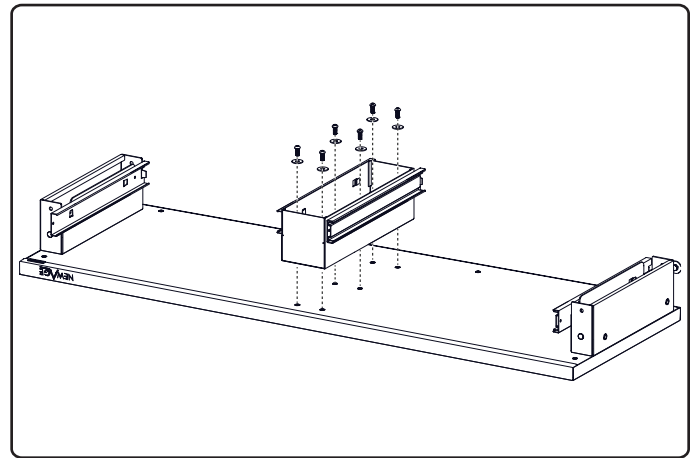


Note: Do not fully tighten the screws for the bracket until the drawers are operating smoothly in their designated brackets.

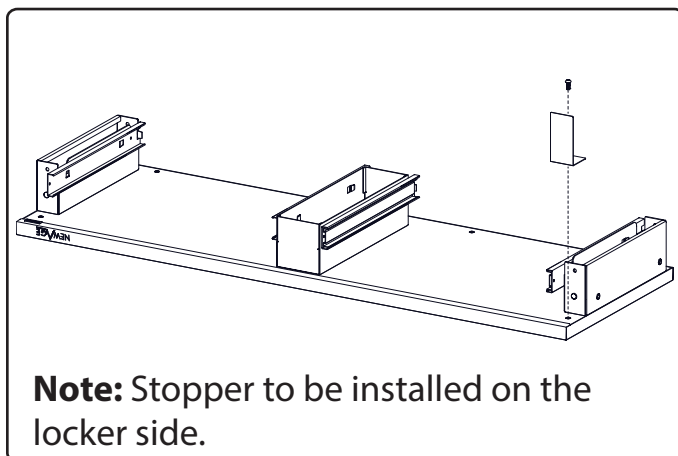
1 Install the slide side brackets to the worktop with 3x button head screws and 3x washers each.



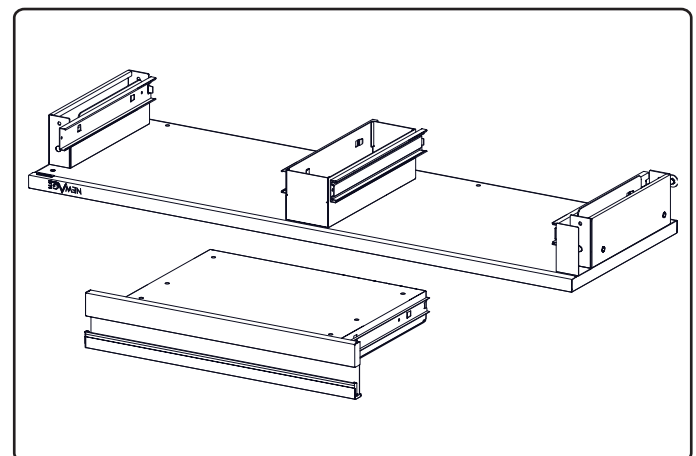
2 Install the slide centre bracket to the worktop with 6x button head screws and 6x washers.



3 Install the stopper to the worktop with 1x button head screw.

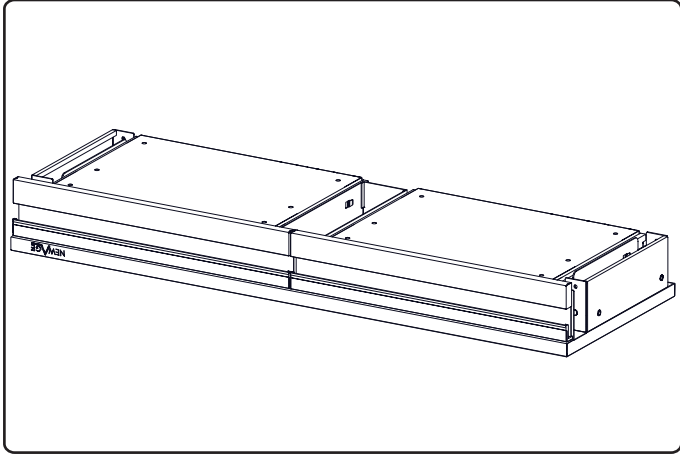


4 Slide on the drawers into the worktop subassembly

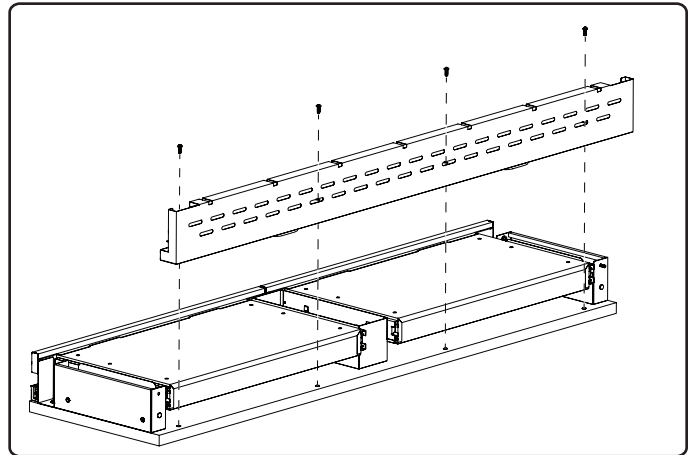


Installing the Workbench

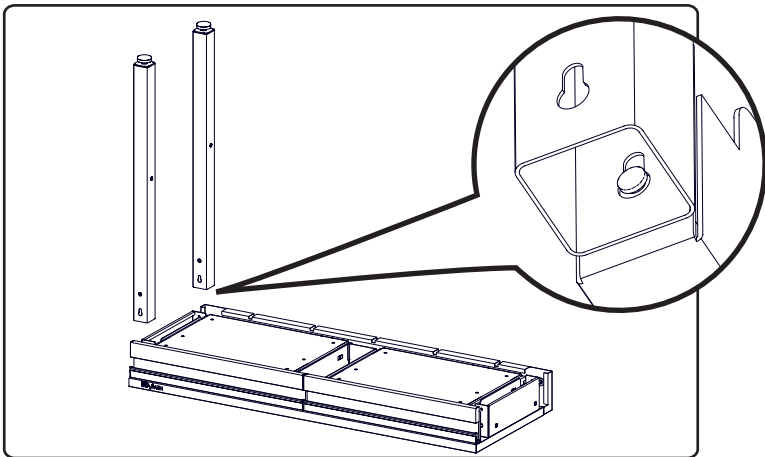
- 5** Fully tighten the screws for the brackets once the drawers are operating smoothly in their designated brackets.



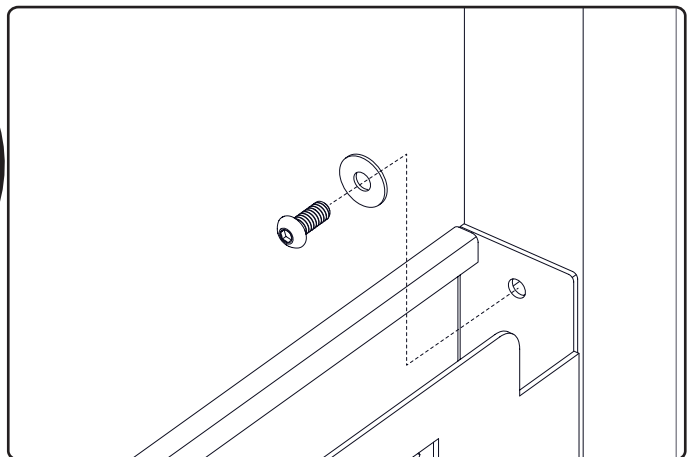
- 6** Install the wall bracket to the worktop using 4 x button head screws.



- 7** Install the legs by locking into the slots provided in the side bracket.

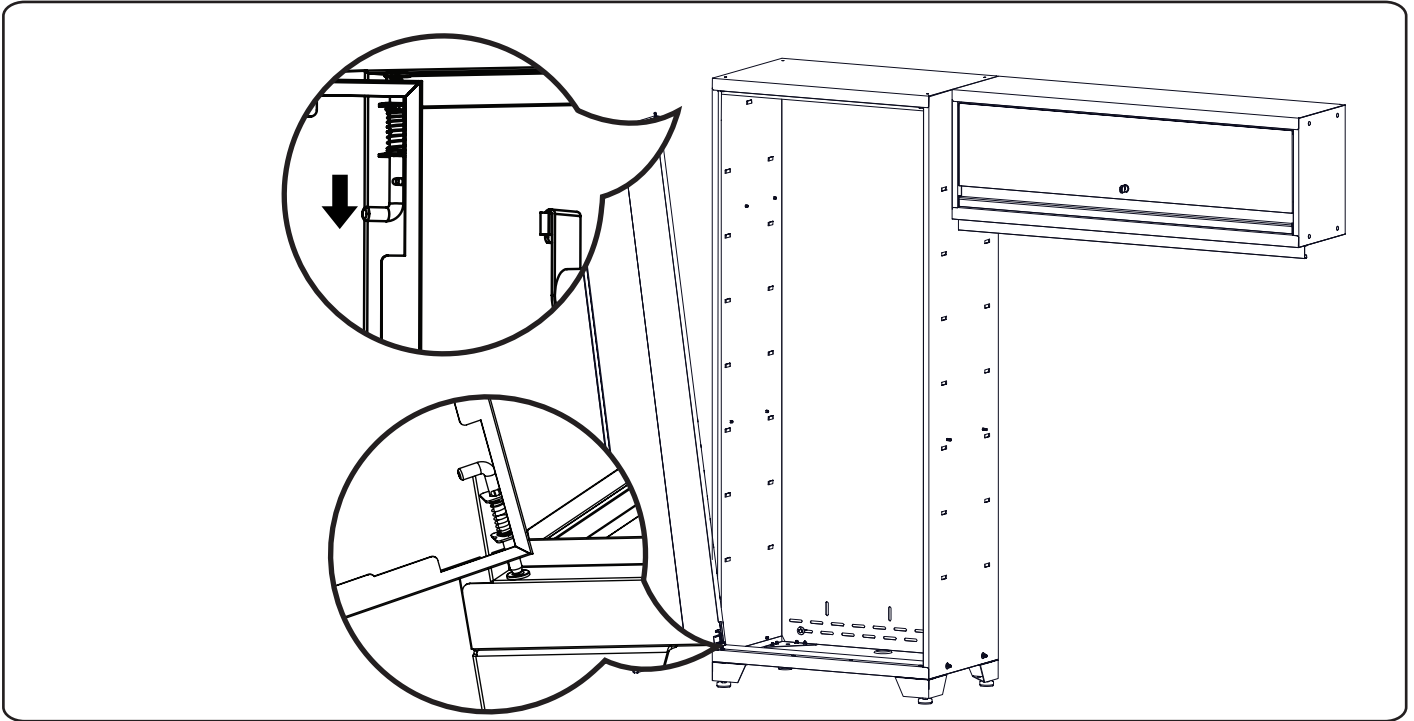


- 8** Install the legs to the bracket with 2x button head screws and 2x washer.

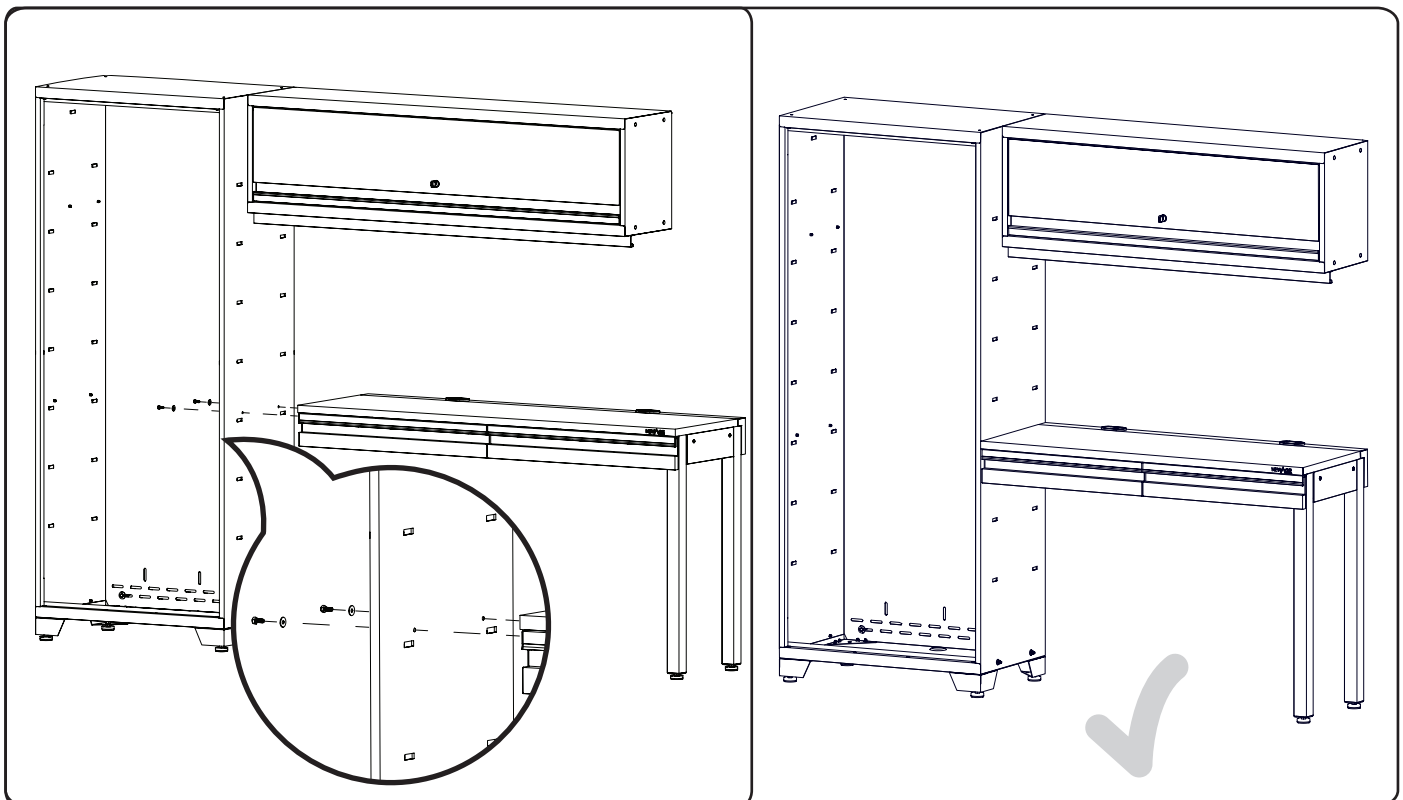


Installing the Workbench to the Locker

- 1 Remove doors by pulling down on spring pin at top and bottom of door panel.

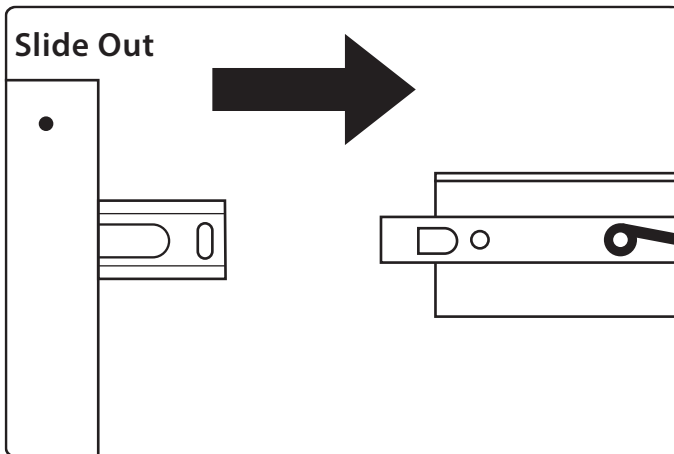
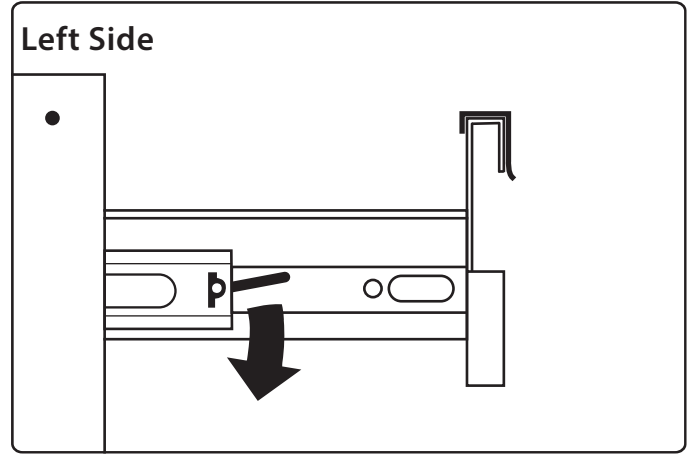
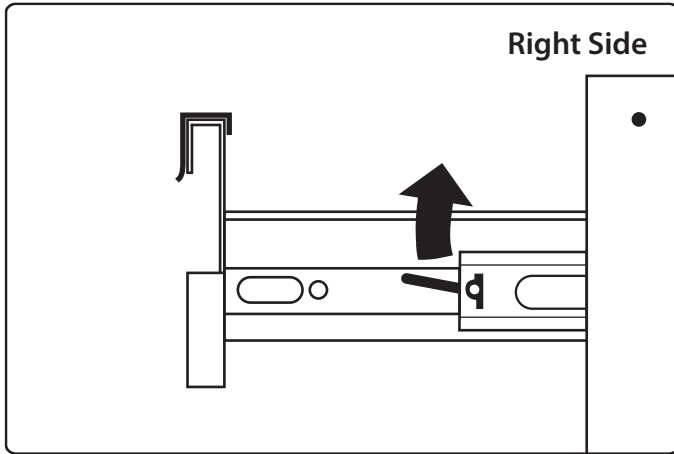


- 2 Tighten the 2x 1/4" hex bolts and 1/4" washer to install the workbench to the locker.

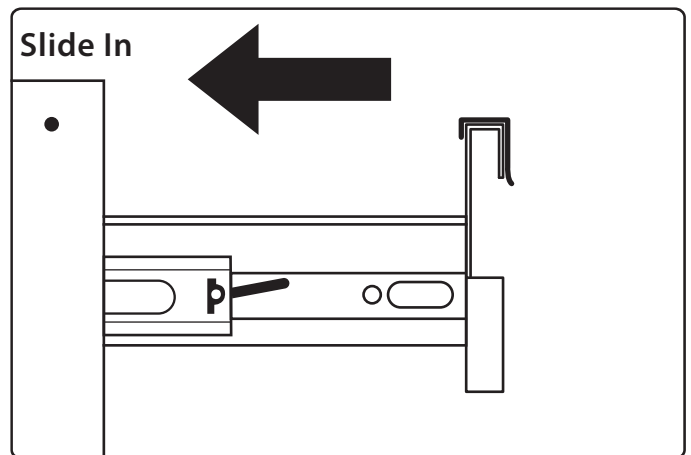
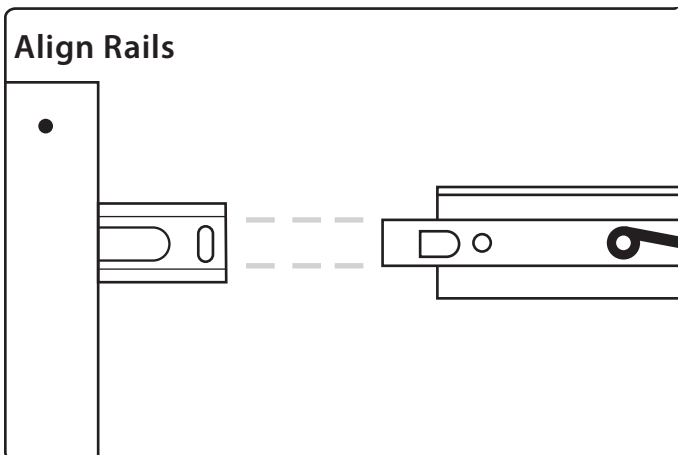


Removing & Installing the Drawers

Removing Drawers.

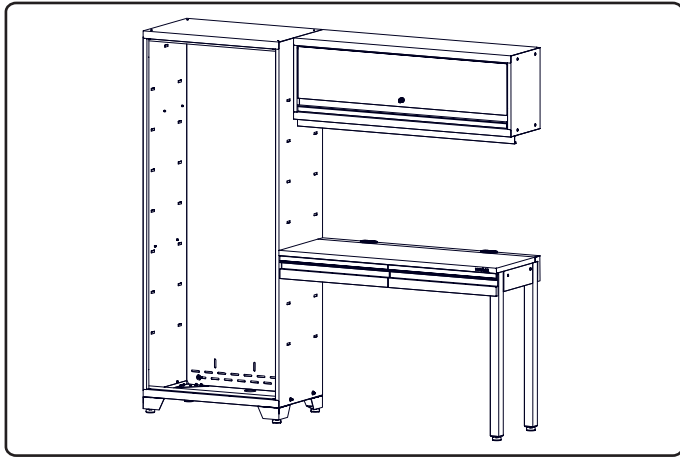


Inserting Drawers.

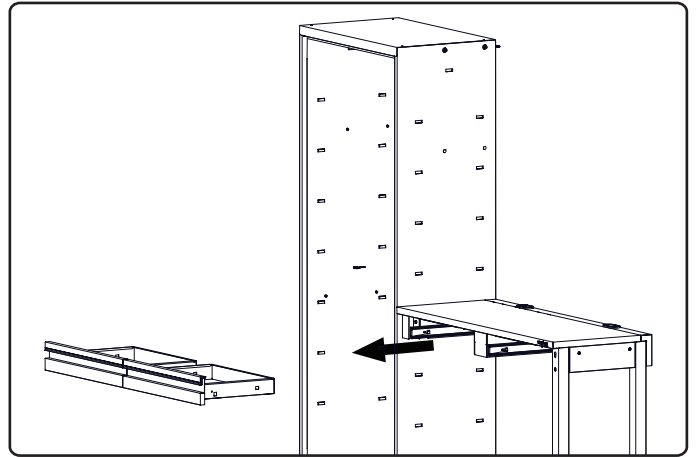


Installing the Workbench to the Wall

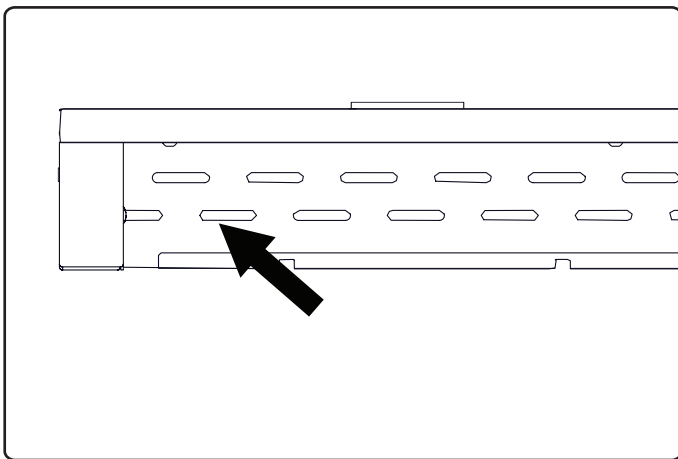
- 1** Place workbench tight against the wall.



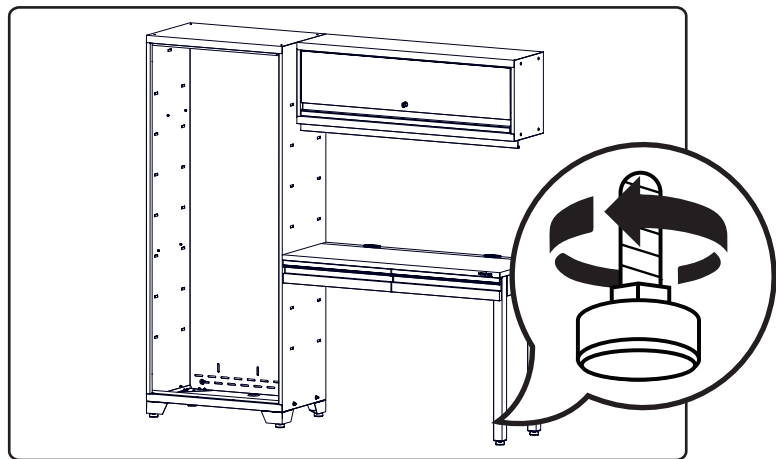
- 2** Remove the drawers from the slides.



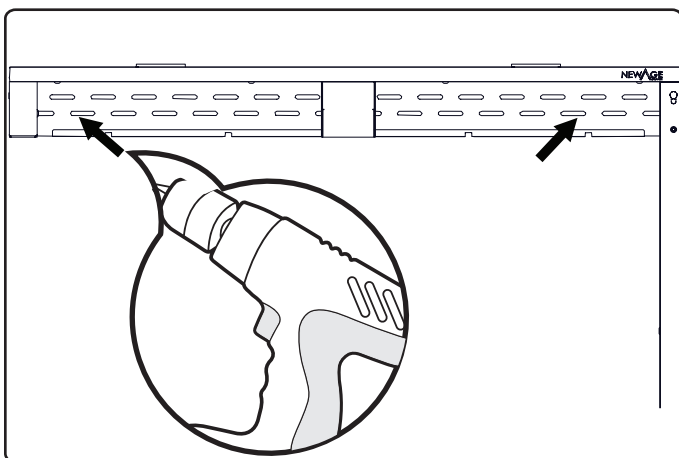
- 3** Align workbench assembly to stud marks.



- 4** Level workbench by adjusting feet.



- 5** Install 2 wall screws and 2 washers through perforated holes into studs.

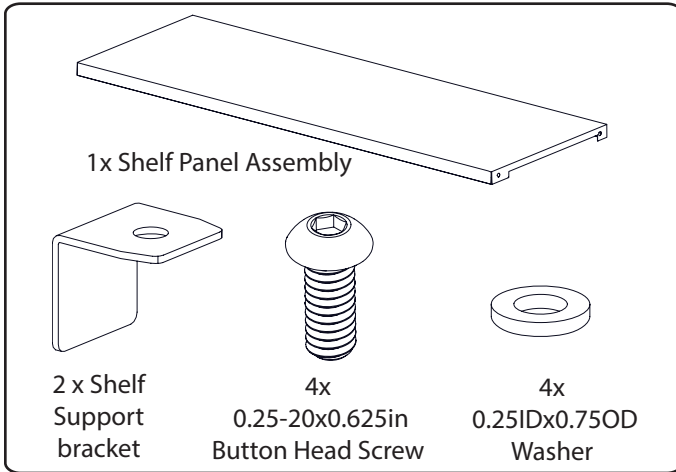


i Masonry.

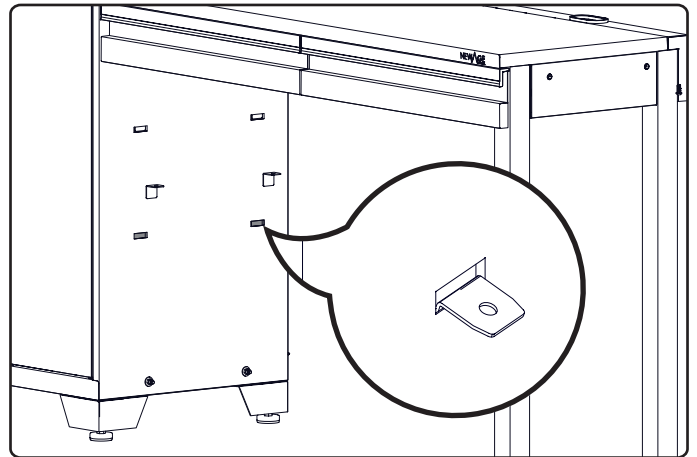
- Follow steps 3 to 4.
- Drill 2 pilot holes through the perforated strip with hammer drill & masonry bit.
- **Follow Step 5 using:**
- Use 2 x (2 1/4" x 1/4") Tapcon Concrete Anchor into wall. (Not Included)
- **OR** 2 x (#10 x 2") Screw with 3/16" masonry plug into wall. (Not Included)

Installing the Workbench Shelf

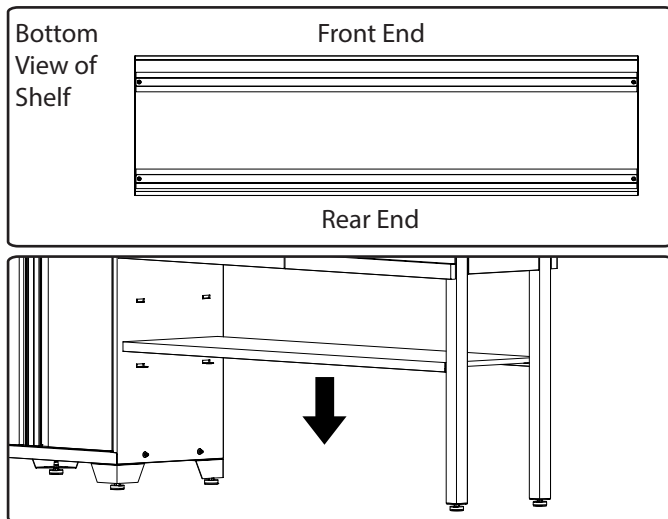
i Parts Needed.



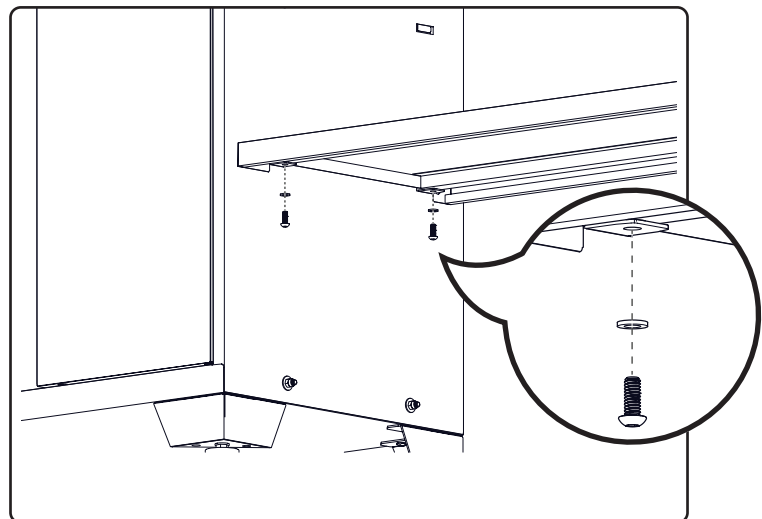
1 Install the shelf support brackets at an angle to the designated position in the locker.



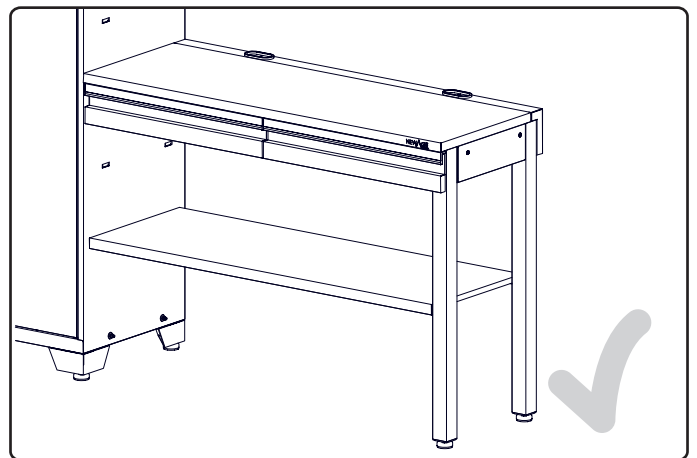
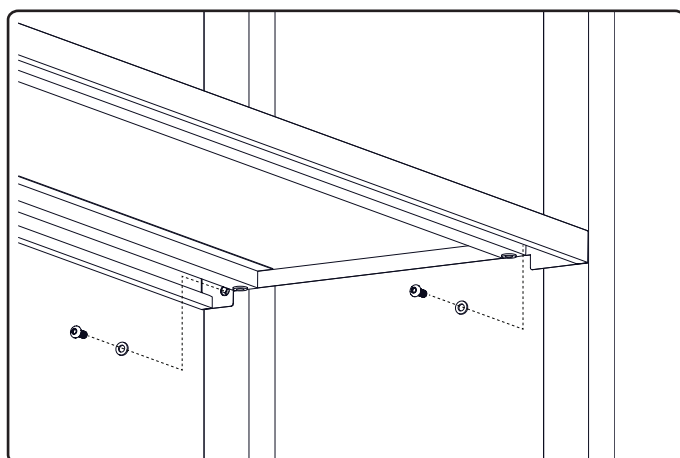
2 Mount the shelf panel assembly to the brackets.



3 Tighten the shelf panel to the shelf support brackets using 2x screws and 2x washers.

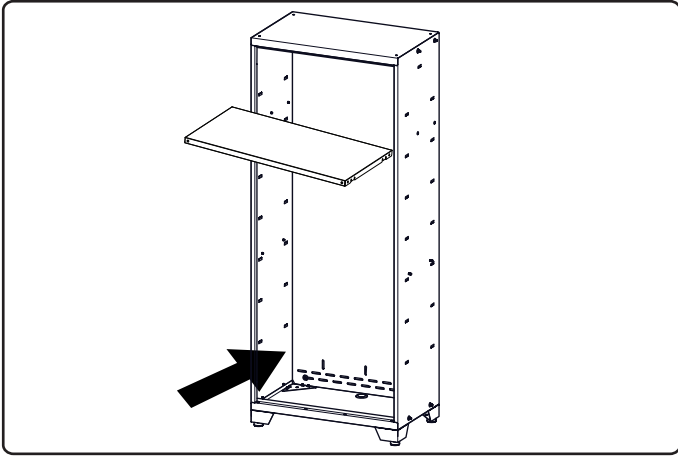


4 Tighten the other side of shelf to the workbench legs using 2x screws and 2x washers.

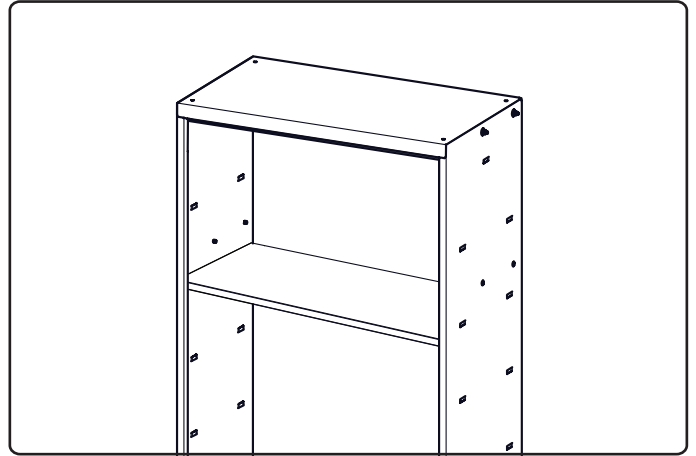


Inserting Shelves and Closet Rod

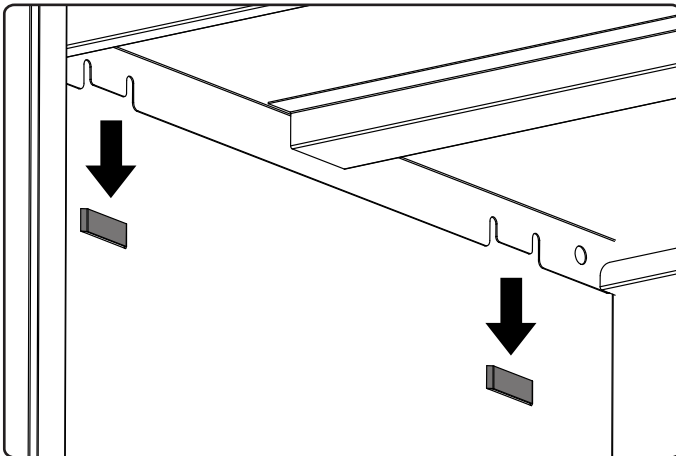
1 Insert shelf at a slight angle.



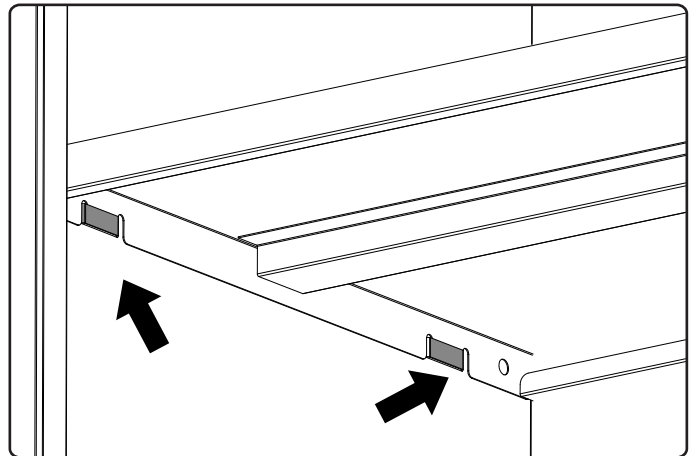
2 Level shelf.



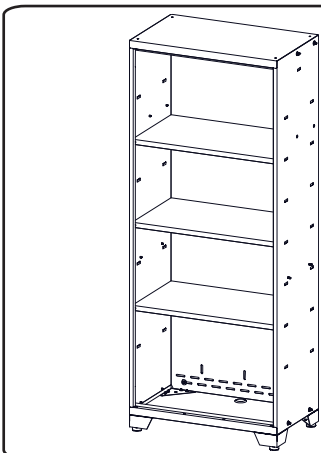
3 Lower shelf onto brackets by sliding tabs into slots.



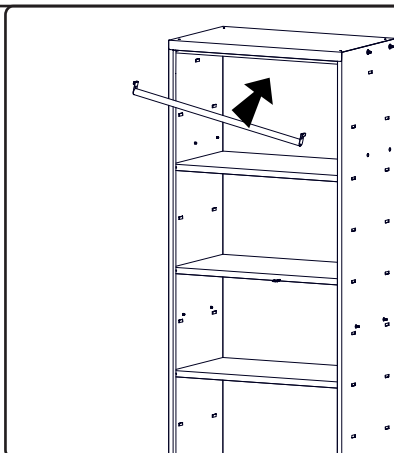
4 Ensure shelf is clipped in position.



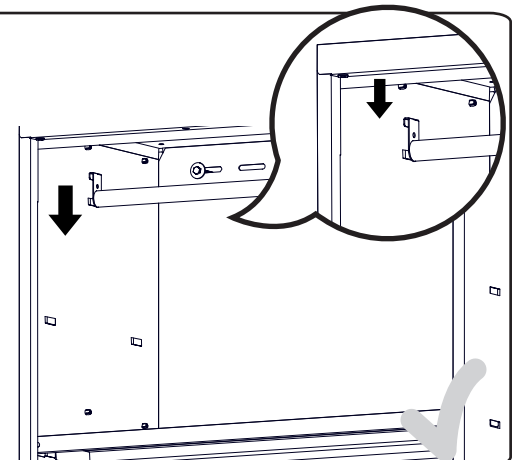
5 Insert remaining shelves.



6 Insert Closet Rod on a slight angle into cabinet.

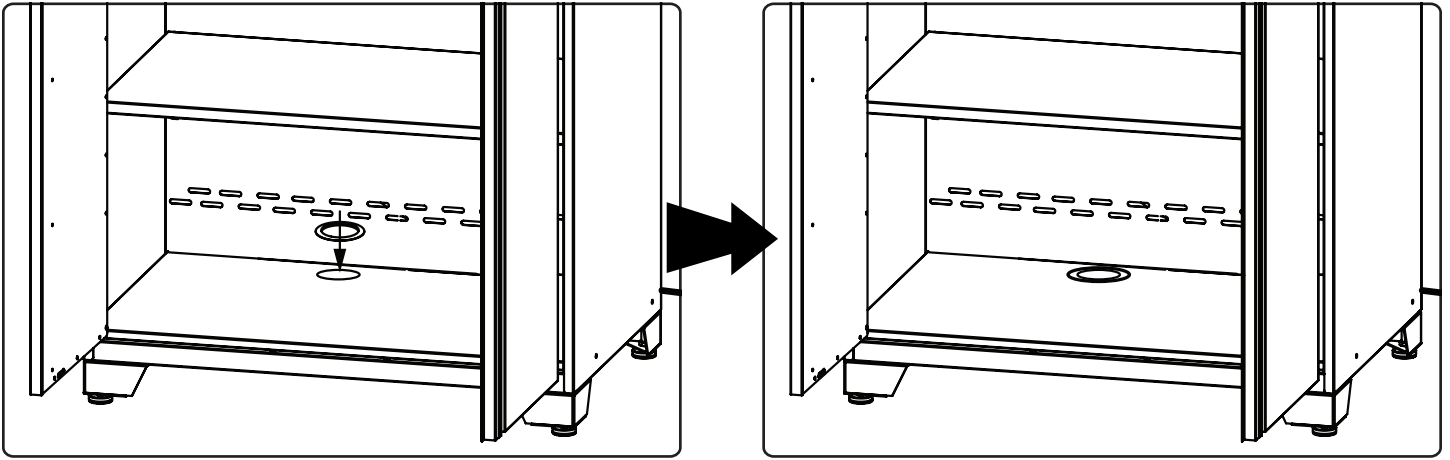


7 Level Rod and slide down into middle slot.

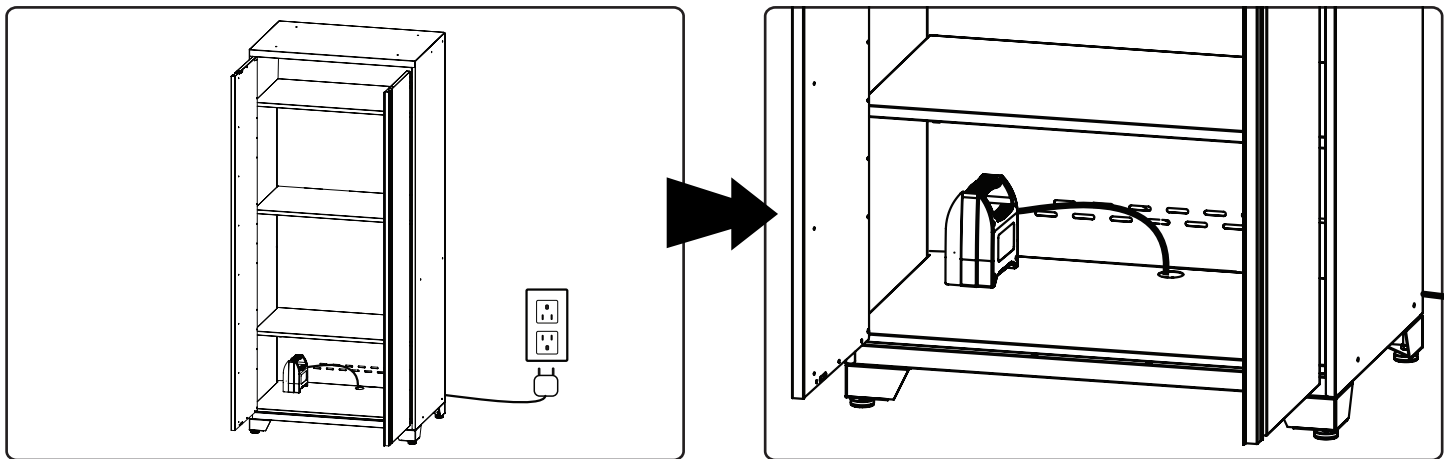


Utility Access

- 1** Insert rubber grommet into cut-out hole in bottom panel.



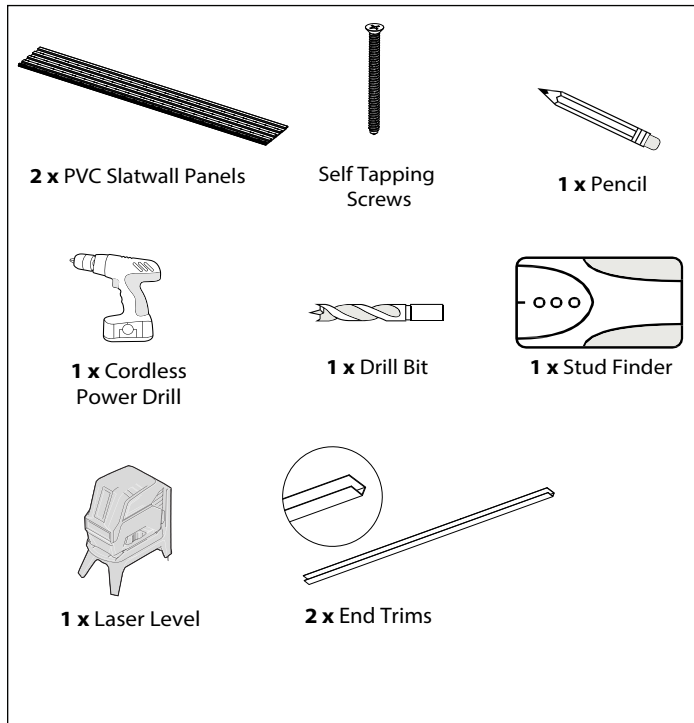
- 2** The utility access hole allows easy connection to power outlet.



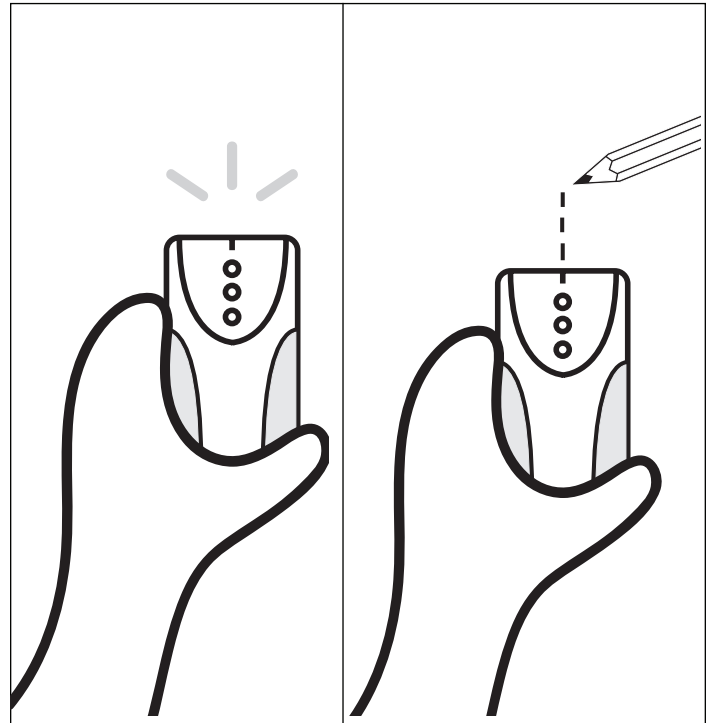
Slatwall Installation

NOTE: PVC Slatwall is an optional add-on and may not be included with your purchase. Remove the light valance panel from the wall cabinet prior to the PVC slatwall installation.

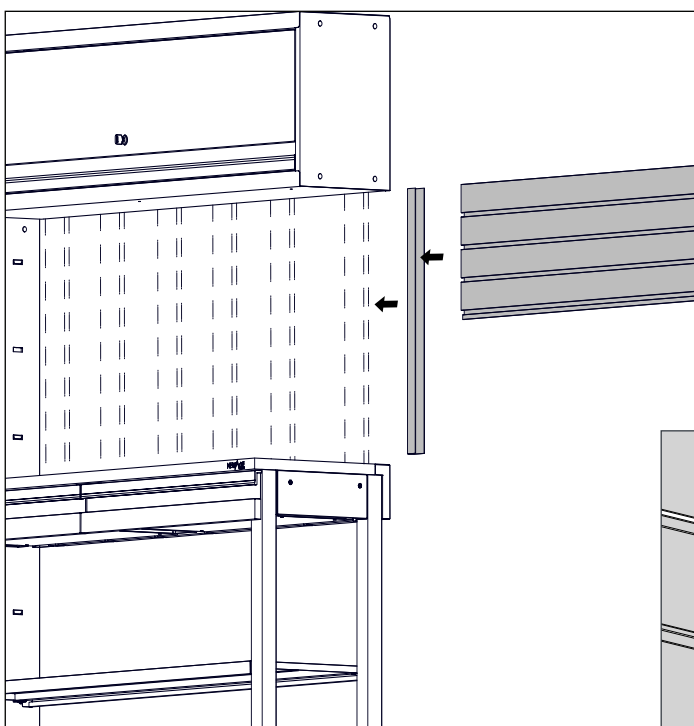
i Parts and Tools required.



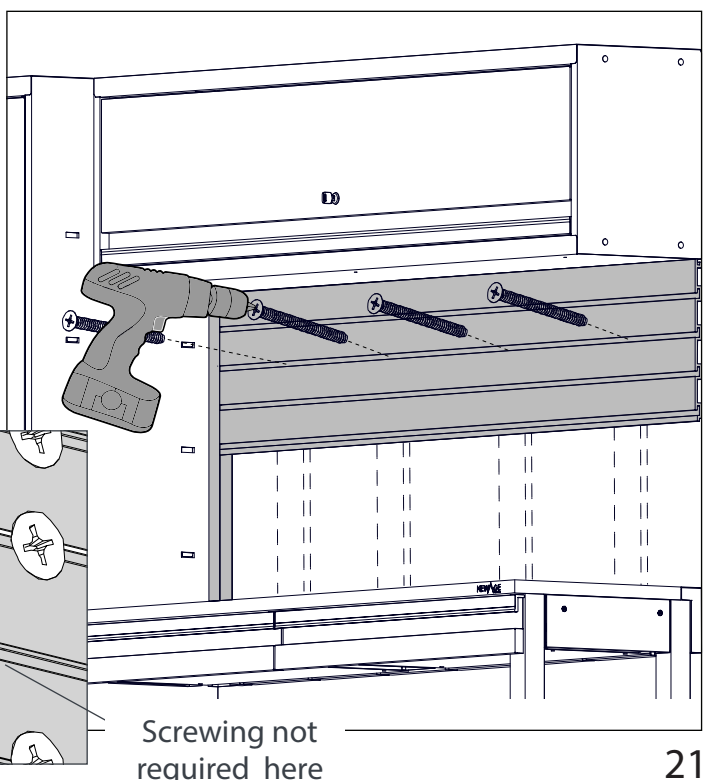
1 Use stud finder to locate the studs and mark the wall with a pencil.



2 Pre-install the end trim with the PVC Slatwall panel. Place the panel against the wall and align it against the locker and wall cabinet.

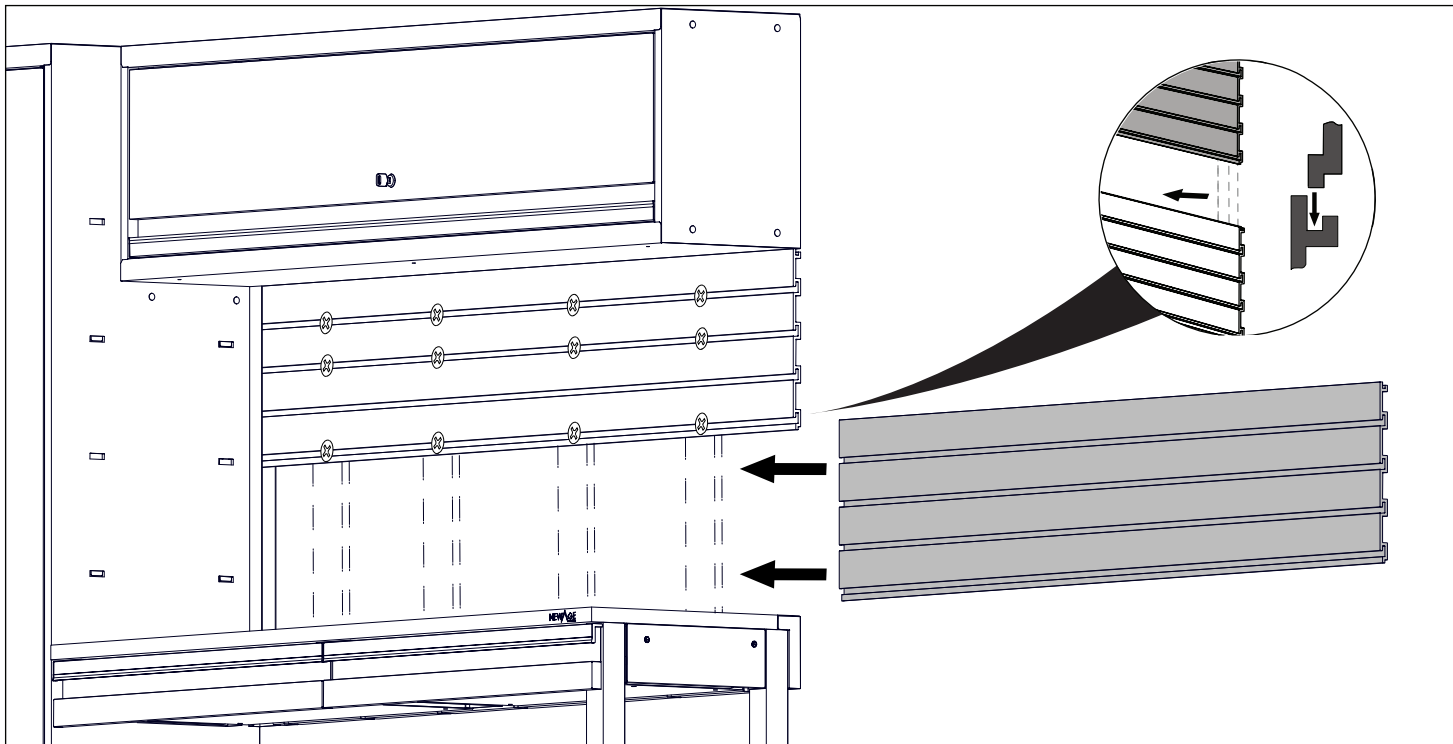


3 Install the panel to the studs using 3x self tapping screws per stud. The panels should be installed to a minimum of 3 studs.

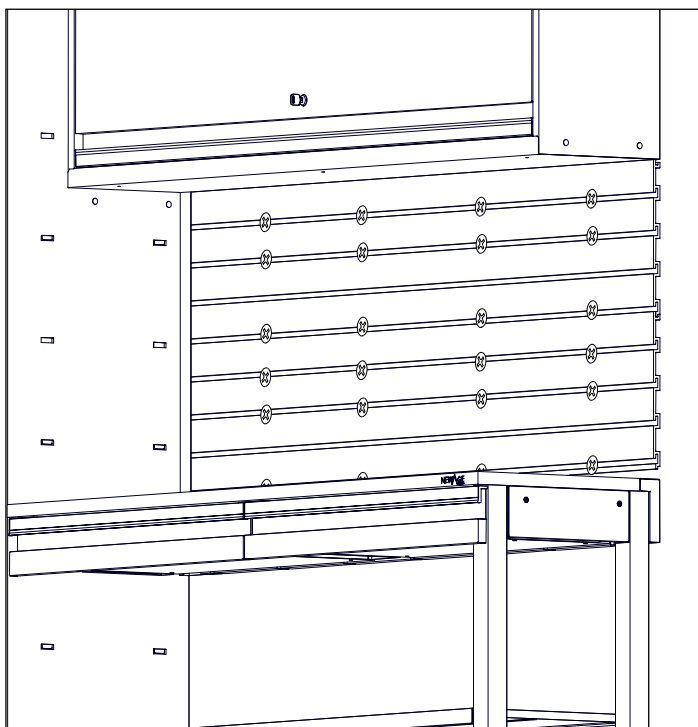


Slatwall Installation

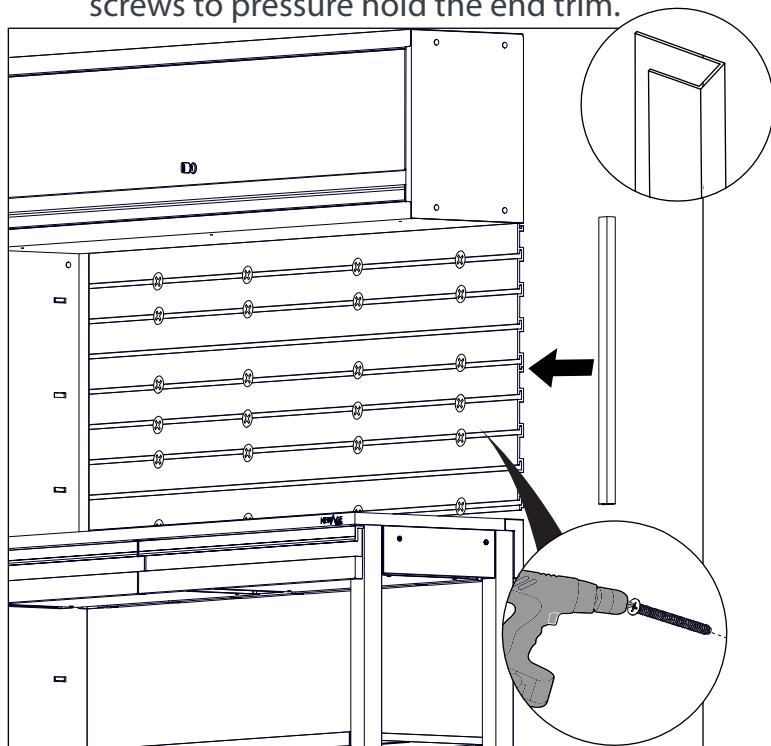
- 4** Insert the second PVC Slatwall panel into the groove of the first panel. Ensure that panel is inserted all the way to the end trim.



- 5** Repeat Step 3 to install the second panel to the wall.

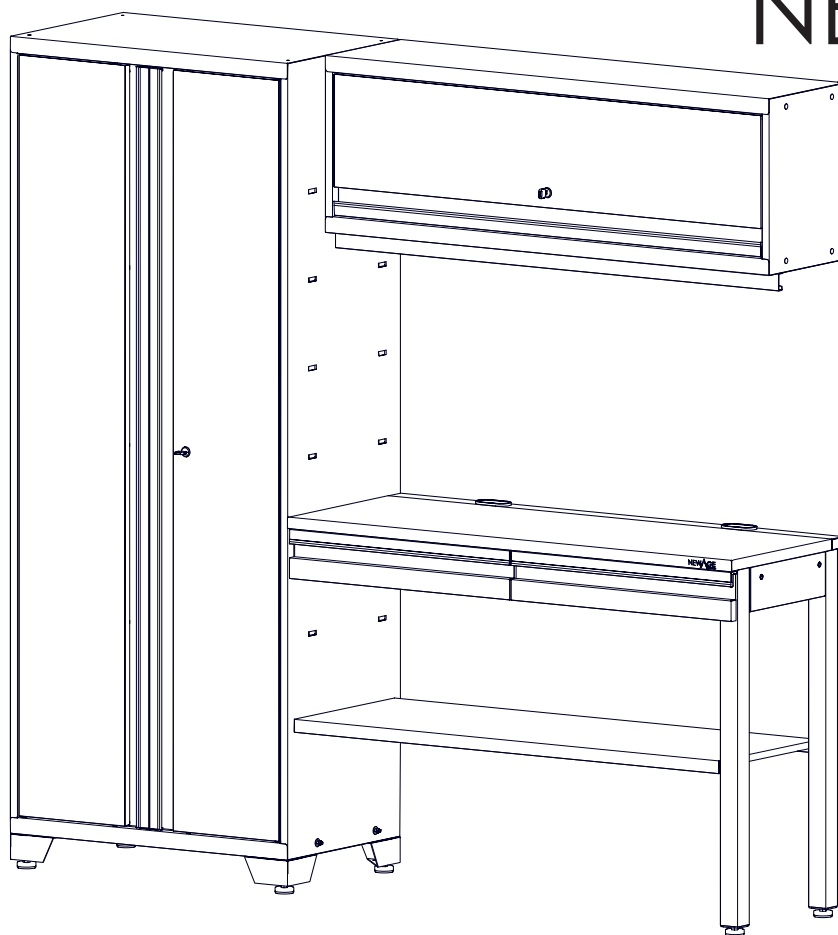


- 6** Loosen the edge screws of both panels and insert the end trim. Ensure to retighten the screws to pressure hold the end trim.



IM-PB3.32A-02

NEWAGE
PRODUCTS INC.



GUIDE D'INSTALLATION

BOLD SÉRIE 3.0 - ENSEMBLE TOUT-EN-UN DE 4 PIÈCES



AVERTISSEMENT: RISQUE DE POIDS EXCESSIF!

Déplacer, assembler ou installer les armoires et armoires-vestiaires avec l'aide de deux personnes ou plus. Dans le cas contraire, il pourrait en découler des blessures au dos ou autre. Ne pas laisser les enfants sans surveillance près des armoires. Risque élevé de basculement si les armoires ne sont pas installées correctement : Fixer solidement les armoires au mur pour éviter des blessures graves. Pour obtenir de l'aide, composer le 1.877.306.8930; ou envoyer un courriel à l'adresse info@newageproducts.com.



ATTENTION:

Est votre armoire endommagée?
Avez vous besoin d'aide ou de pièces de rechange? Contactez NewAge Products a 1-877-306-8930; ou support@newageproducts.com.
Ne pas retourner au détaillant.

Index

NewAge Products Inc. Garantie du Fabricant	3
Unpacking	4
Outils nécessaires	4
Pièces fournies	5
Pièces de rechange	6
Plan de travail, Capacité de poids	7
Installer des Pieds	8
Installation du casier sur le montant du mur	9
Installation de l'armoire murale	10
Fixation du panneau cache-lumière à l'armoire murale	12
Installation de l'établi	13
Installation de l'établi dans le casier	15
Démontage et installation des tiroirs	16
Montage de l'établi au mur	17
Installation de l'étagère de l'établi	18
Installation de l'étagère et de la tringle de rangement	19
Trous d'accès	20
Installation du panneau rainuré	21

NEWAGE PRODUCTS INC. GARANTIE DU FABRICANT DE LA SÉRIE BOLD

UNE PREUVE D'ACHAT EST REQUISE POUR OBTENIR UN SERVICE DE GARANTIE.

Veillez disposer des informations suivantes lorsque vous appelez notre service clientèle:

- Nom, adresse et numéro de téléphone
- Nom du produit / numéro de SKU
- Une description claire et détaillée du problème
- Preuve d'achat avec numéro de commande

Enregistrez votre achat de produits NewAge en ligne pour l'assistance aux clients et l'accès à des avantages exclusifs

Visitez www.newageproducts.com/register/

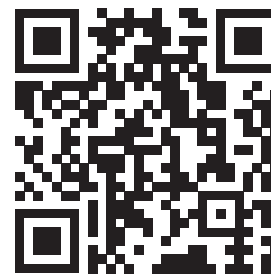
Réclamations de garantie

Pour le service de garantie, veuillez contacter NewAge Products au 1-877-306-8930; ou support@newageproducts.com

Veillez consulter tous les détails de la garantie ci-dessous, avant de contacter NewAge Products pour une réclamation.

Scannez le code QR à droite pour accéder à notre page d'assistance ou

visitez www.newageproducts.com/contact-us/



Scannez ce code QR avec l'appareil photo sur votre appareil mobile pour visiter le Centre d'assistance des produits NewAge www.newageproducts.com/support-hub/

GARANTIE LIMITÉE À VIE

CE QUI EST COUVERT

Lorsque ce produit est installé, utilisé et entretenu conformément aux instructions jointes ou fournies avec le produit, NewAge Products Inc. remplacera le produit ou les pièces défectueuses si la pièce tombe en panne en raison de matériaux défectueux ou de fabrication pendant la durée de la garantie à partir du date d'achat du produit.

CE QUI N'EST PAS COUVERT

1. Les appels de service pour corriger l'installation de tout produit NewAge ou pour vous montrer comment les utiliser ou les installer.
2. Les dommages résultant de produits causés par un accident, une utilisation abusive, un abus, un incendie, une inondation, une installation incorrecte, un cas de force majeure, une négligence, une modification ou une mauvaise manipulation.
3. Les produits endommagés en raison d'une charge supérieure au poids maximum précisé dans les instructions fournies avec le produit.
4. Les réparations ou le remplacement lorsque votre produit est utilisé pour un usage autre que résidentiel normal, comme un milieu commercial, ou portatif d'une manière incohérente avec les instructions d'installation.
5. Les dommages cosmétiques, y compris les éraflures, les marques, les entailles ou les fissures dans la peinture qui n'affectent pas la capacité fonctionnelle ou structurelle du produit.
6. Surfaces endommagées en raison d'une mauvaise utilisation de produits chimiques et de détergents.
7. Les pièces de rechange pour des produits NewAge à l'extérieur du Canada et des États-Unis.
8. Une perte en raison d'un vol.
9. Les dommages résultant d'une utilisation contraire du produit et non conforme au manuel d'instructions.
10. Tous les frais de main-d'œuvre pendant la période de garantie.
11. Les clés ou mécanismes de verrouillage de rechange.

EXCLUSION DE GARANTIES IMPLICITES

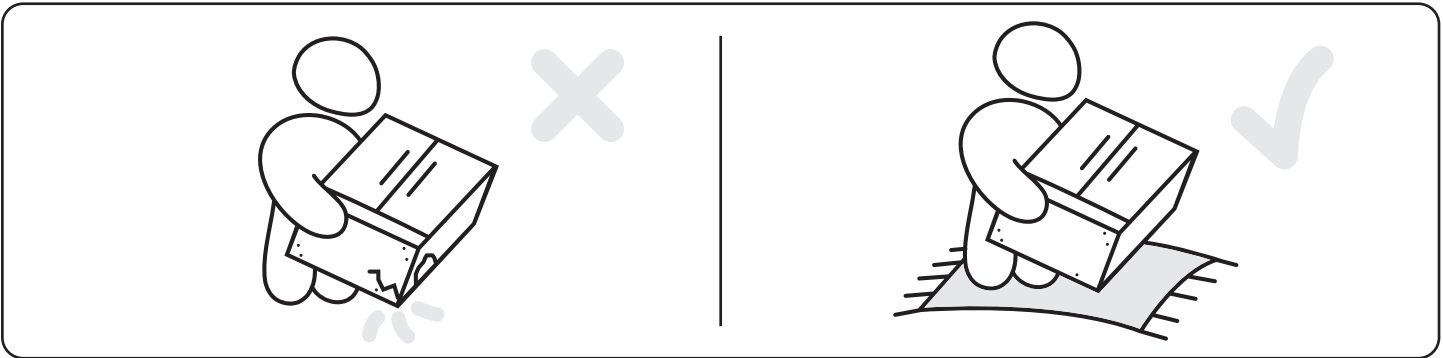
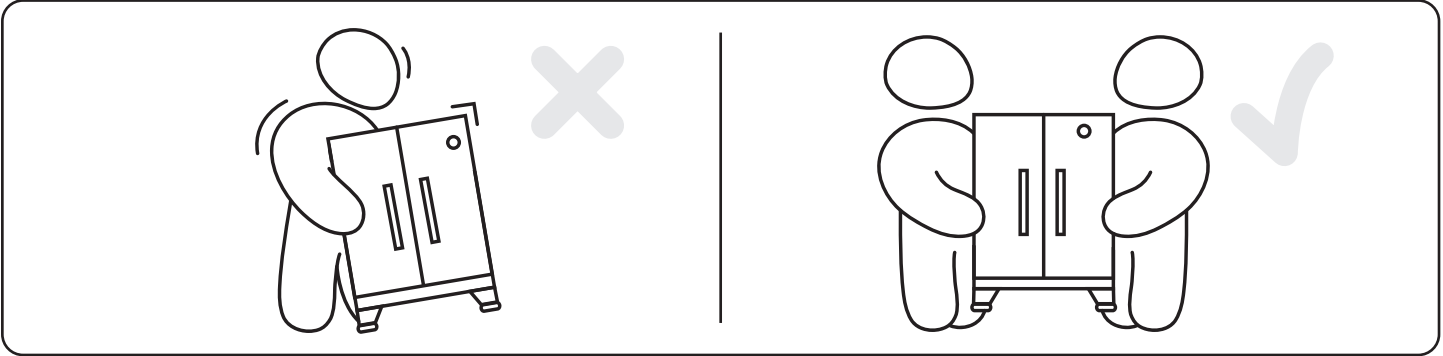
LES GARANTIES IMPLICITES, Y COMPRIS, DANS LA MESURE OÙ CELA EST APPLICABLE, LES GARANTIES DE QUALITÉ MARCHANDE OU DE CONFORMITÉ À UN USAGE PARTICULIER, SONT EXCLUES DANS LA LIMITE OÙ LA LOI LE PERMET. TOUTE GARANTIE IMPLICITE QUI POURRAIT ÊTRE IMPOSÉE PAR LA LOI DOIT SE LIMITER À UN AN, OU À LA PÉRIODE LA PLUS COURTE PERMISE PAR LA LOI. CETTE GARANTIE EST LIMITÉE À L'ACHETEUR ORIGINAL. Certains états et provinces n'autorisent pas les limitations de durée des garanties implicites de qualité marchande ou d'adéquation, de sorte que cette limitation peut ne pas s'appliquer à vous. Cette garantie vous donne des droits légaux spécifiques, et vous pouvez également avoir d'autres droits qui varient d'un état à l'autre ou d'une province à l'autre.

LIMITATION DES RECOURS; EXCLUSION DES DOMMAGES ACCESSOIRES ET CONSÉCUTIFS

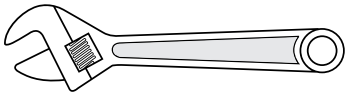
VOTRE SEUL ET EXCLUSIF RECOURS EN VERTU DE CETTE GARANTIE LIMITÉE SERA LA RÉPARATION OU LE REMPLACEMENT DU PRODUIT À NOTRE DISCRÉTION COMME PRÉVU ICI. NEWAGE NE SERA PAS RESPONSABLE DES DOMMAGES ACCESSOIRES OU INDIRECTS. Certains états et provinces n'autorisent pas l'exclusion ou la limitation des dommages accessoires ou consécutifs, de sorte que ces limitations et exclusions peuvent ne pas s'appliquer à vous. Cette garantie vous donne des droits légaux spécifiques, et vous pouvez également avoir d'autres droits qui varient d'un état à l'autre ou d'une province à l'autre.

Déballage

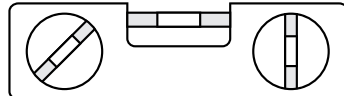
- Commencer par placer la boîte sur une surface plate recouverte.
- Retirer tout le carton, le matériel d'emballage en mousse et les sacs en plastique transparent.
- Mettre au rebus ou recycler tous les matériaux d'emballage.
- Vérifier tout le contenu de la boîte et rassembler les outils nécessaires. Voir Pièces fournies et Outils nécessaires ci-dessous.



Outils nécessaires



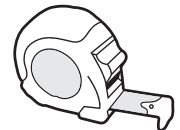
1 x clé ajustable



1 x vérin magnétique de 12 po



1 x localisateur de montants



1 x ruban à mesurer



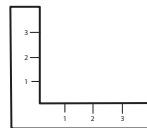
1 x cle a doiuilles de 7/16 po



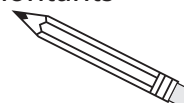
1 x cle a douilles de 8mm



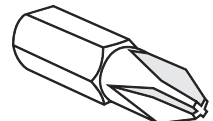
1 x douille de 7/16 po



1 x équerre à dessin



1 x crayon



1 x tournevis Phillips #2



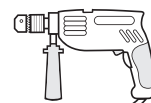
1 x tournevis cruciforme Phillips #2



1 x tournevis cruciforme Phillips #3



1 x perceuse mecanique sans fil



1 x marteau perforateur



1 x meche à maçonnerie

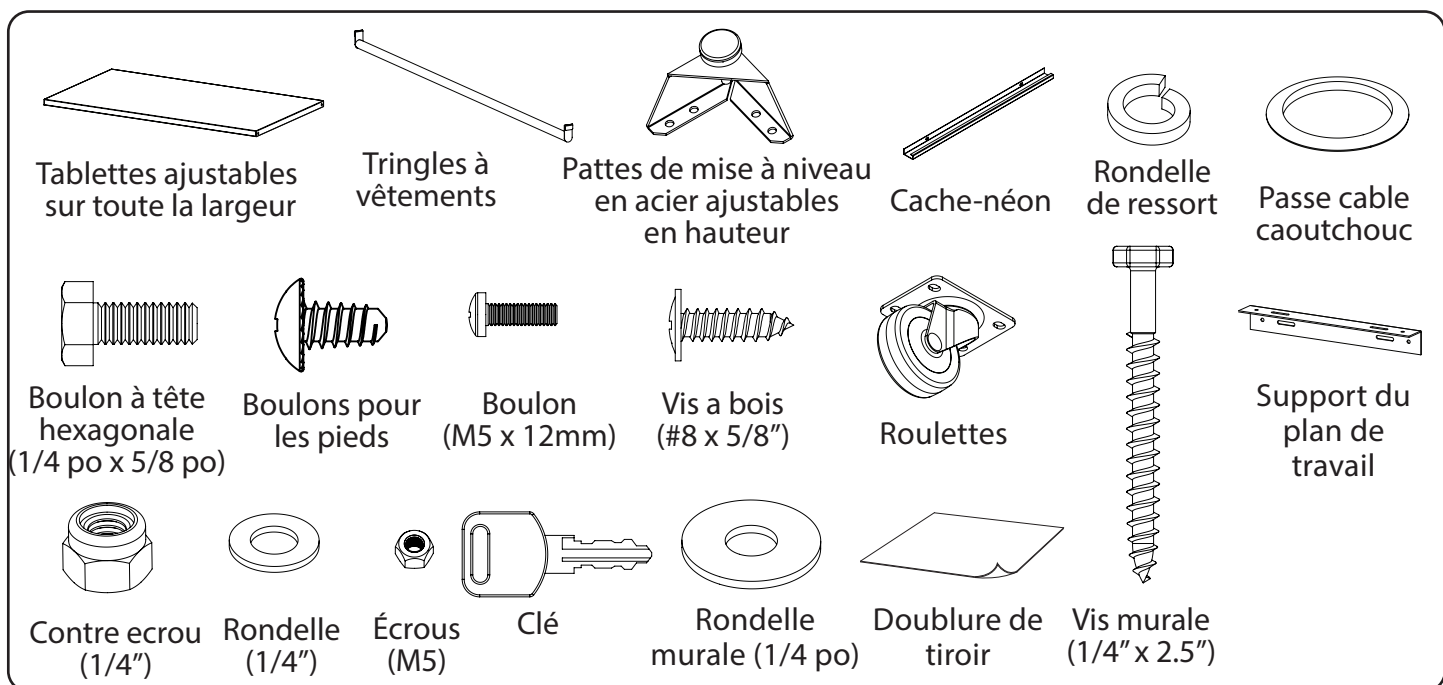
[facultatif pour la maçonnerie]

Pièces fournies

Type	Pièces	Casier de 30 Po	Mur	Établi
Paquet Contenant les Pièces	Rondelle (1/4 po)	22	8	18
	Contre-écrou 1/4 po	8	4	0
	Rondelle de protection 1/4" x 0,9"	4	6	3
	Vis murale de 1/4" x 2,5"	4	6	3
	Boulon a tete hexagonale(1/4 po x 5/8 po) tete hexagonale de 7/16 po	10	4	0
	Vis à tête ronde 1/4"-20 x 5/8"	0	0	23
	Vis pour les pieds	17	0	0
	Clès	2	2	0
	Boulons pour cache-neon	0	3	0
	Ecrous pour cache-neon	0	3	0
	Clé Allen à extrémité sphérique de 4 mm de diamètre		1	
Pièces incluses	Bouchons en plastique	16	8	0
	Pattes de mise à niveau en acier ajustables en hauteur	4	0	2
	Passerelle caoutchouc	1	0	0
	caoutchouc	0	0	2
	Tablettes ajustables sur toutes la largeur	3	0	0
	Pattes d'armoires	4	0	0
	Tringles à vêtements	1	0	0
	Doublures de tiroir en mousse EVA	0	0	2
	Cache-neon	0	1	0

Note :

Le matériel supplémentaire sera dans la pochette du matériel.



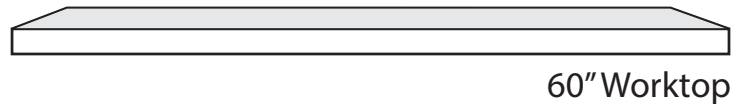
Pièces de rechange

N° de S	N° de pièce	Description	Qté de nomenclature	N° d'UGS de pièces de rechange	Qté. de pièce de rechange
1	PB3-281.002A-01-XX H00165A-01	porte murale simple de 60 po Essential	1	74000 - Rouge 74001 - Noir 74002 - Platine 74003 - Gris	1
2	PB3-287A-01-XX PB3-287.002A-01-XX H00691A-01 H00110A-01	Tablette de plan de travail de 60 po	1	74004 - Noir 74005 - Blanc mat	1
3	PB3-285.002A-01	Tiroir de plan de travail de 60 po	2	74006 - Rouge 74007 - Noir 74008 - Platine 74009 - Gris	1
4	H00850A-01	Œillet en caoutchouc Essential	2	74010	1
5	PB3-293A-01 H00691A-01 H00110A-01	Pied d'établi Essential	(Ensemble de 2)	74011 - Noir 74012 - Blanc	(Ensemble de 2)
6	H00864A-01	Ressort à gaz pour porte de 3 po	2	74013	1
7	PB3-05.003A-01-XX PB3-05.004A-01-XX H00165A-01	Bold 3.0 - Portes de casiers de 30"	(Ensemble de 2)	49031 - Noir 50031 - Gris 50229 - Rouge 56759 - Platine	(Ensemble de 2)
8	PB3-05.005A-01-XX	Bold 3.0 - Tringle de rangement de 30"	1	50033 - Noir 56760 - Blanc mat	1
9	PB3-05.002A-01-XX	Bold 3.0 - Tablettes pour casiers de 30"	(Ensemble de 2)	50032 - Noir 56761 - Blanc	(Ensemble de 2)
10	H00051A-01	Œillet de cordon d'alimentation en caoutchouc	1	50982 - Noir	1
11	PB3-16.005.01A-01-XX H00088A-01	Bold 3.0 Pieds avec matériel	(Ensemble de 4)	50971 - Noir 50981 - Blanc	(Ensemble de 4)
12	H00090A-01 H00165A-01	Serrure de casier (cylindre et clé)	1	50976	1
13	H00084A-01	Pieds de mise à niveau filetés	(Ensemble de 4)	50972	(Ensemble de 4)
14	PB3-14.003.04A-01 PB3-14.003.05A-01	Embout d'extrusion en plastique	(Ensemble de 2)	50973	(Ensemble de 2)
15	H00056A-01	Bague en plastique pour charnières à ressort	(Ensemble de 4)	50238	(Ensemble de 4)
16	H00047A-01	Charnières à ressort	(Ensemble de 4)	50995	(Ensemble de 4)
17	H00041A-01	Tire-fond 2,5 po x 2,5 po	10	54038	1

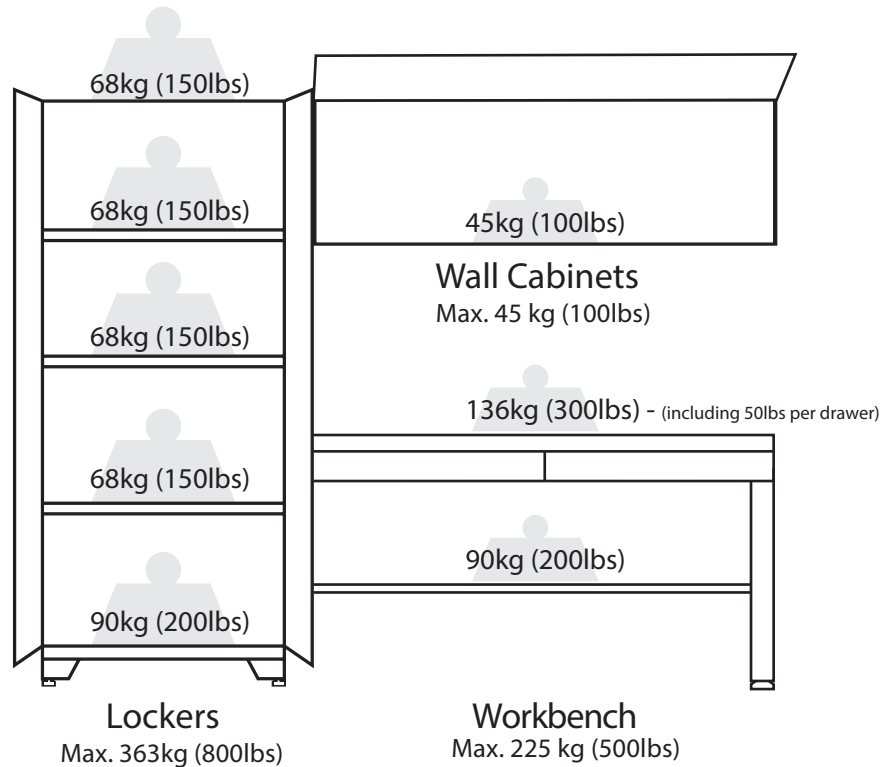
Pièces de rechange

18	H00042A-01	Rondelle de protection - 0,25 po x 0.875 po	10	54039	1
19	H00043A-01	Vis à tête ronde 1/4"-20 x 5/8"	18	54040	1
20	H00044A-01	Rondelle - 0,25ID x ,75OD	30	54041	1
21	H00055A-01	Contre-écrous - 0,25 po	16	54042	1
22	H00169A-01	Vis à bois (n° 8 x 5/8 po)	2	54043	1
23	H00071A-01	GB818-M5x12	3	54046	1
24	H00072A-01	Écrou M5	3	54047	1
25	PB3-281.003A-01-XX H00071A-01 H00072A-01	Cache-lumière mural Essential avec matériel - 60 po	1 jeu	74014 - Noir 74015 - Blanc	1 jeu
26	PB3-313.001A-01	Plan de travail en bois d'hévéa Essential de 60 po de la série Bold	1	37510	1

Plan de travail

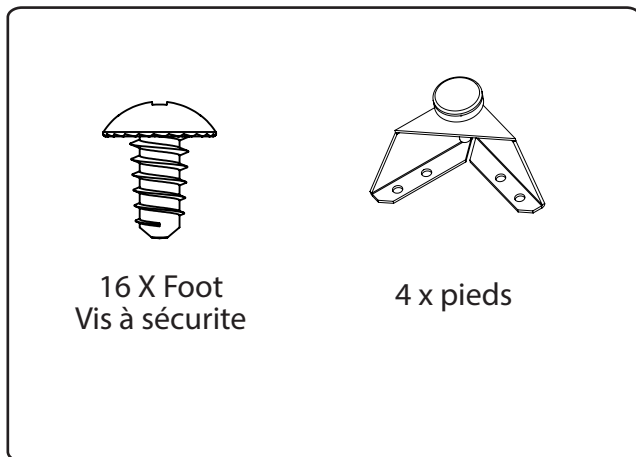


Capacité de poids

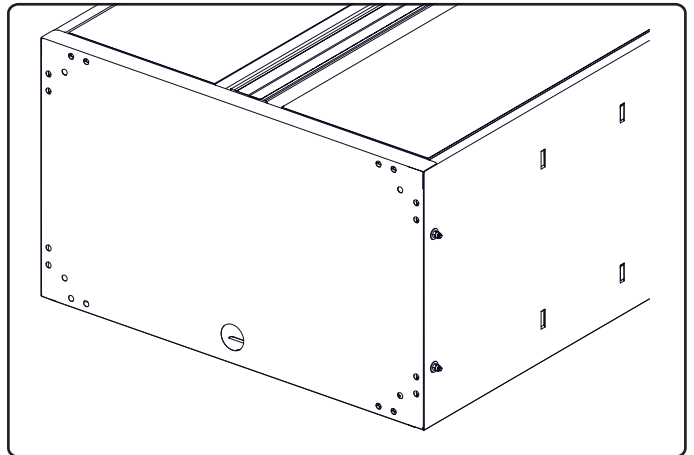


Installation des pieds

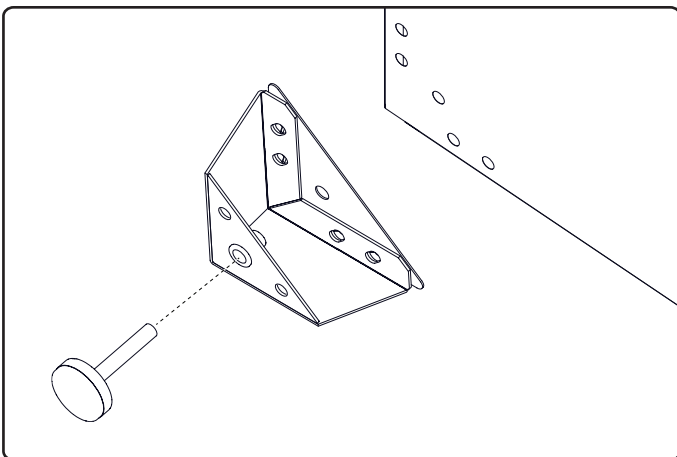
i Pièces nécessaires.



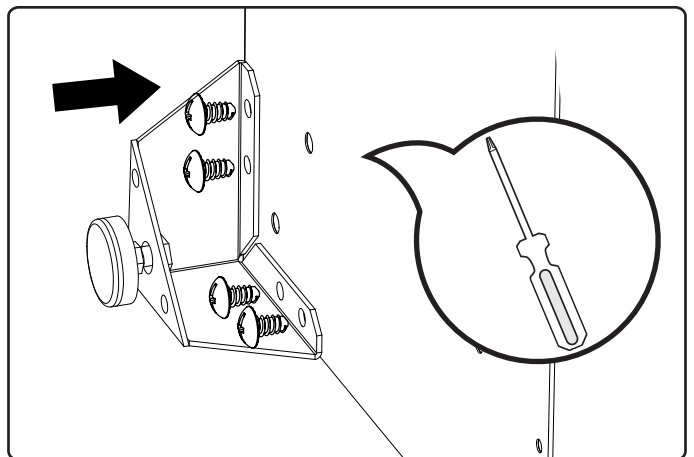
1 Retirez toutes les étagères et les objets non fixés. Couchez l'armoire sur le dos.



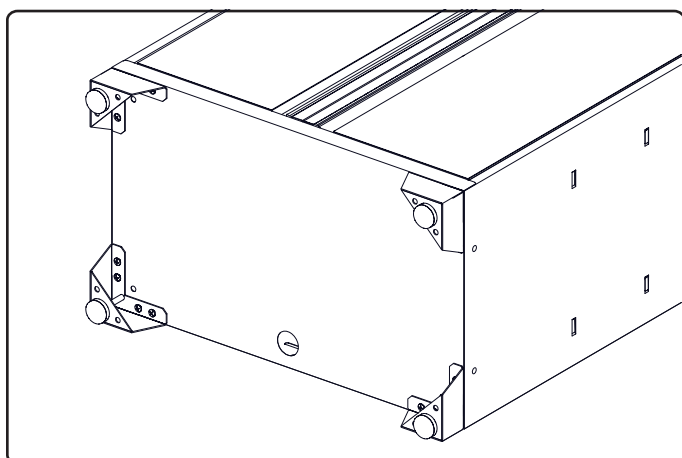
2 Installez les 4 pieds de mise à niveau dans les pieds.



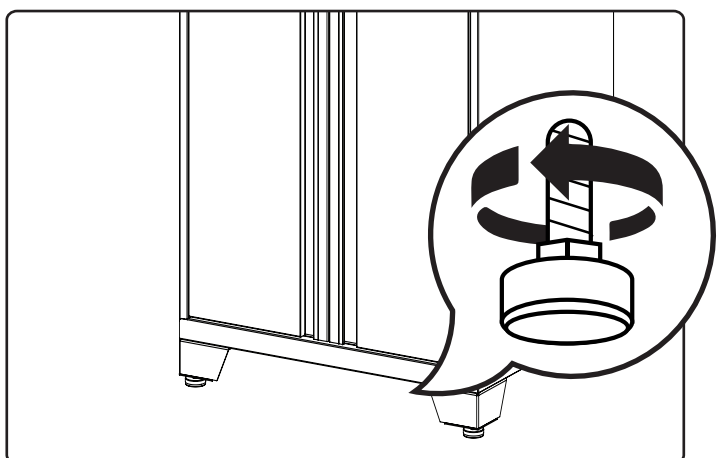
3 Aligner le pied sur le bord de l'armoire. Visser 4 vis à sécurités dans les trous.



4 Répéter l'étape 3 pour chaque coin.

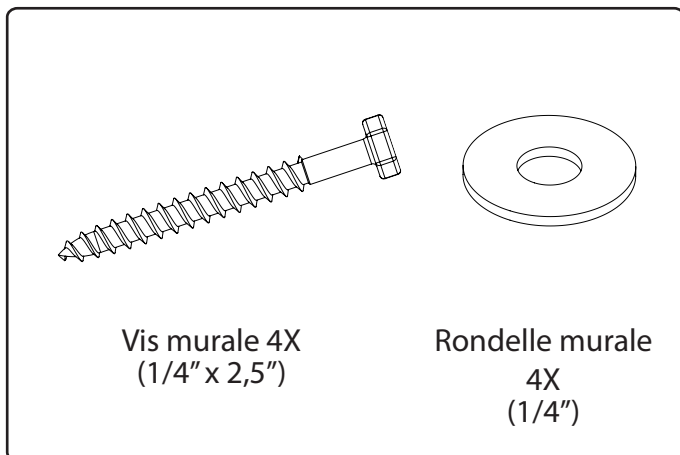


5 Remettre à l'endroit et niveler.

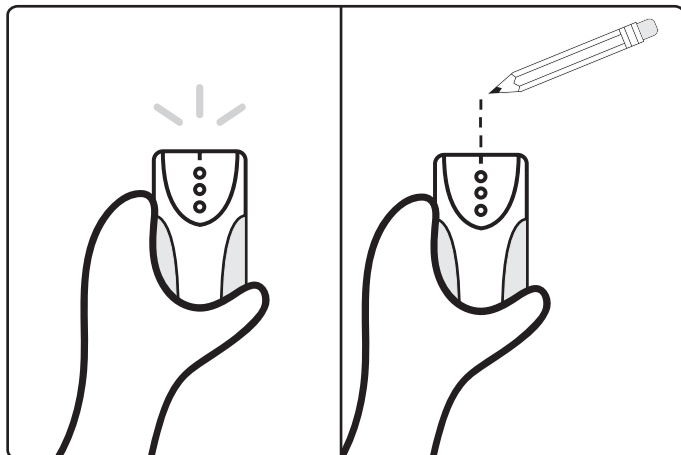


Installation du casier sur le montant du mur

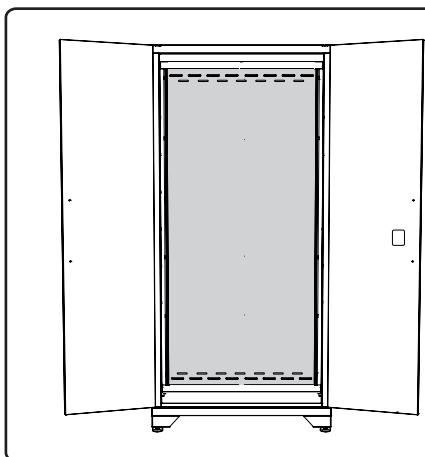
i Pièces nécessaires.



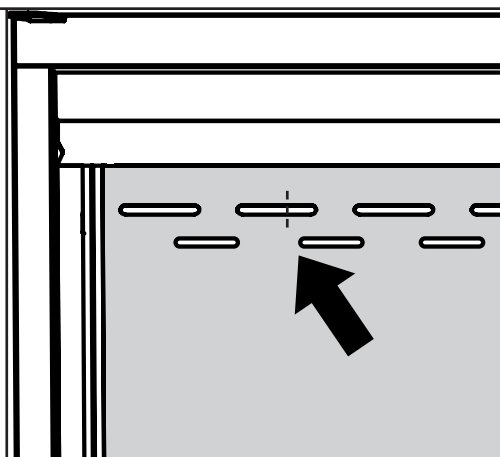
1 Utiliser le localisateur de montants pour repérer les montants et faire une ligne sur le mur avec un crayon.



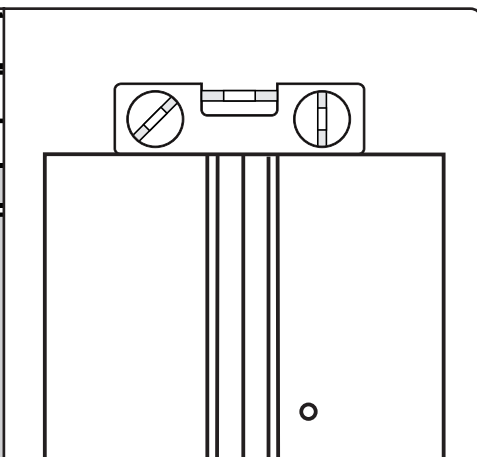
2 Bien appuyer l'armoire contre le mur.



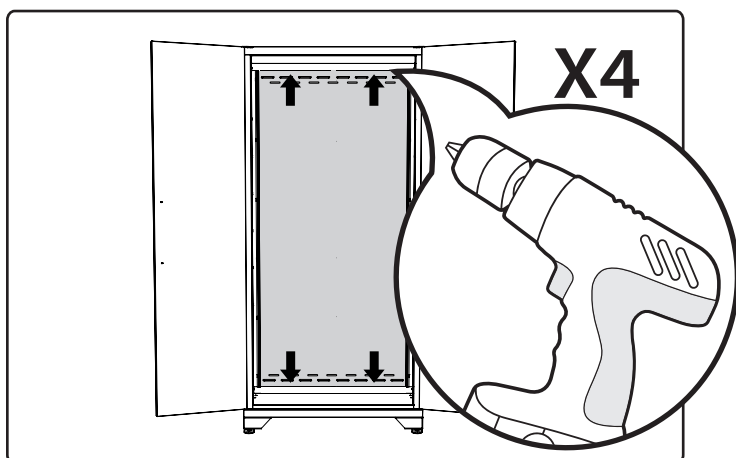
3 Aligner l'armoire sur les marques des montants.



4 Mettre l'armoire à niveau.



5 Percer 4 vis murales et rondelles dans les trous perforés des montants.



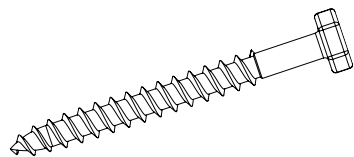
i Maçonnerie.

- Suivre les étapes 2 à 4.
- Percer 4 avant-trous dans la bande perforée avec le marteau perforateur et la mèche à maçonnerie.
- Suivre l'étape 5. Fixer 4 x (2 ¼ po x 1/4 po) ancrages pour béton Tapcon (2 ¼ po x 1/4 po) dans le mur. (Non inclus)
- OU 4 x (#10 x 2 po) vis n° 10 x 2 po avec cheville de maçonnerie de 3/16 po. (Non inclus)

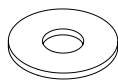
Installation de l'armoire murale

i Pièces nécessaires.

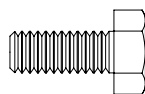
Note: Le matériel est séparé entre le blister et le sac de matériel.



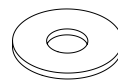
Vis murale 6x
(1/4 x 2,5")



Rondelle murale
6x
(1/4")



Boulon hexagonal 2x
(1/4" x 5/8")

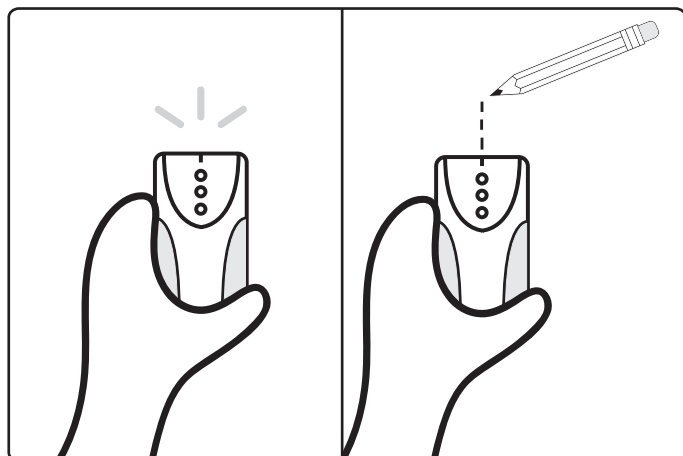


Rondelle 3x
(1/4")

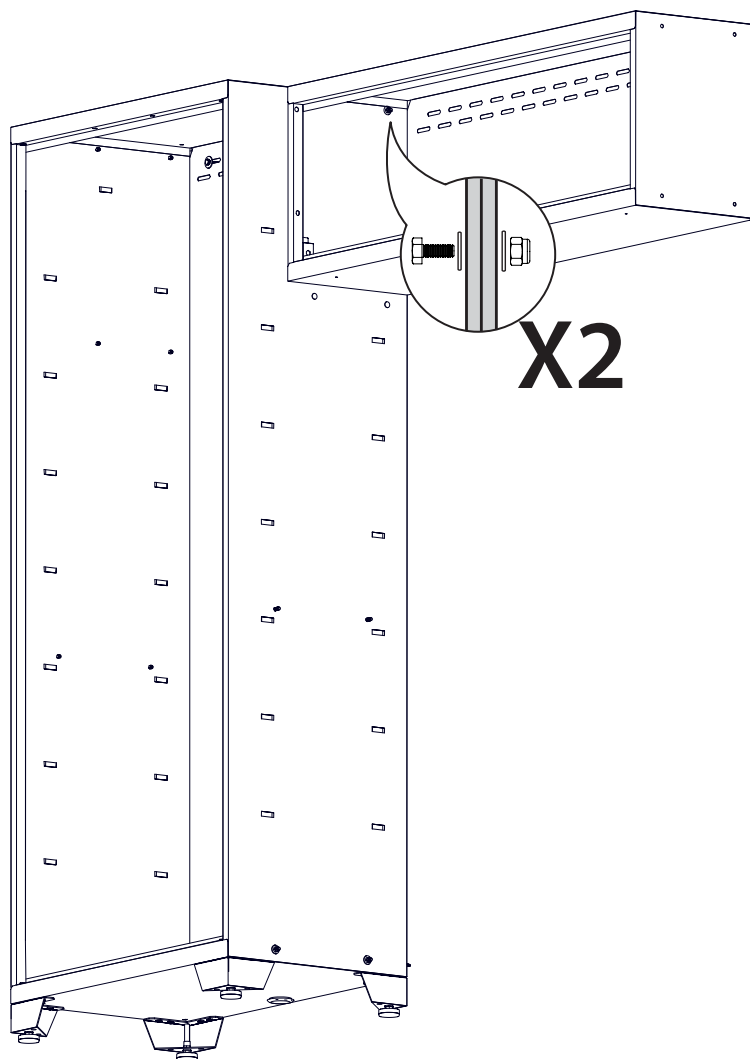


Contre-écrou
2x
(1/4")

1 Utiliser le localisateur de montants pour repérer les montants et faire une ligne sur le mur avec un crayon.



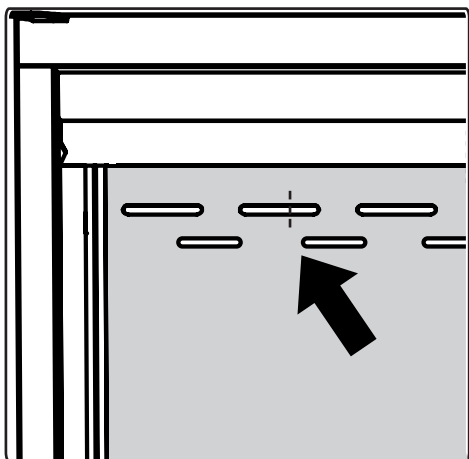
2 Fixez l'armoire murale au casier à l'aide de 2 boulons hexagonaux, de 2 contre-écrous et de 4 rondelles, en utilisant les deux trous de connexion supérieurs.



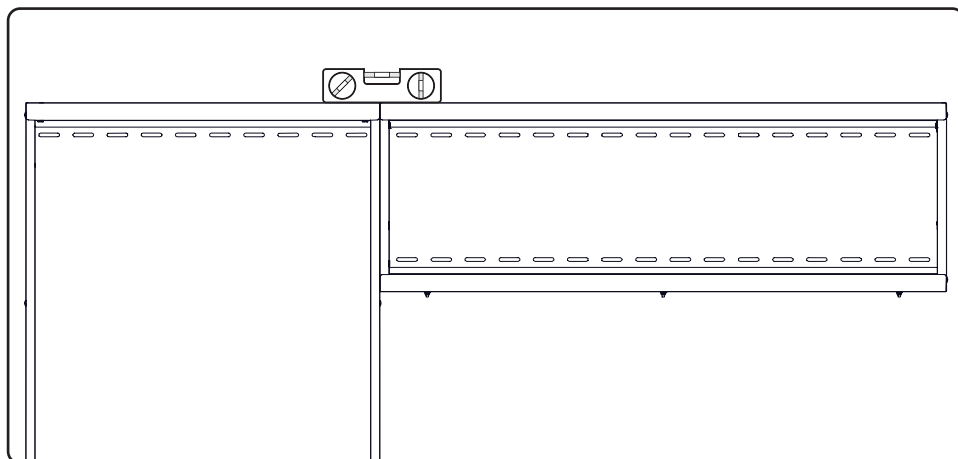
Note :
L'armoire murale peut être montée à gauche ou à droite du casier.

Installation de l'armoire murale

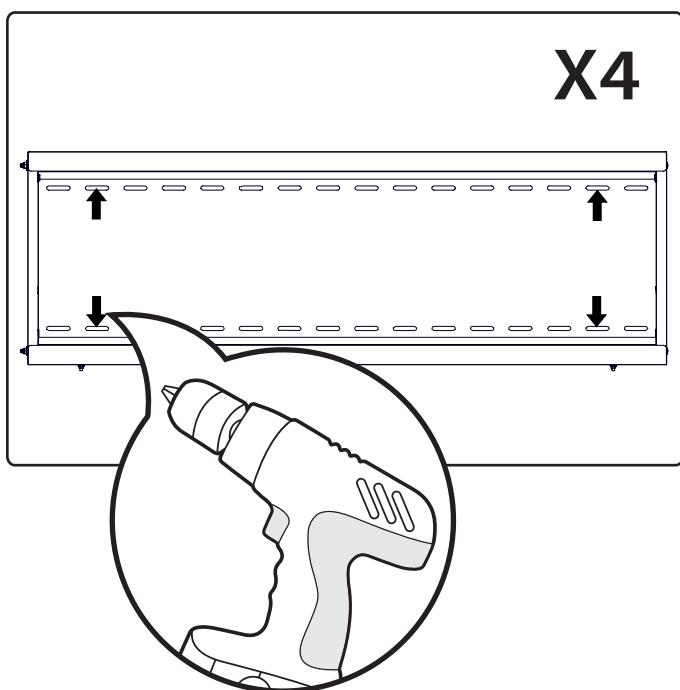
- 3** Aligner l'armoire sur les marques des montants.



- 4** Mettre l'armoire à niveau à l'aide d'un niveleur.



- 5** Installer 4 vis murales et 4 rondelles à travers les trous perforés dans les montants.



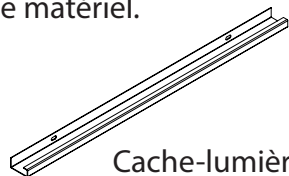
i Maçonnerie.

- Suivre les étapes 3 à 4.
- Percer 4 avant-trous dans la bande perforée avec le marteau perforateur et la mèche à maçonnerie.
- Suivre l'étape 3. Fixer 4 x (2 ¼ po x 1/4 po) ancrages pour béton Tapcon (2 ¼ po x 1/4 po) dans le mur. (Non inclus)
- OU 4 x (#10 x 2 po) vis n° 10 x 2 po avec cheville de maçonnerie de 3/16 po. (Non inclus)

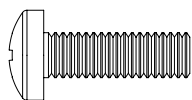
Fixation du panneau cache-lumière à l'armoire murale

i Pièces requises.

Note: Le matériel est séparé entre le blister et le sac de matériel.

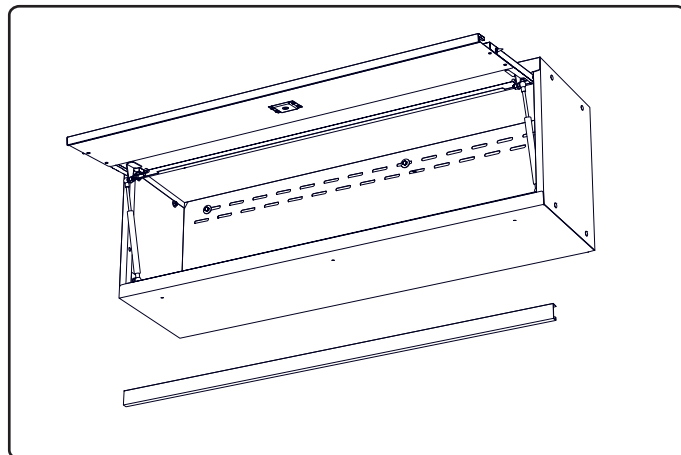


Écrou 3x
(M5)

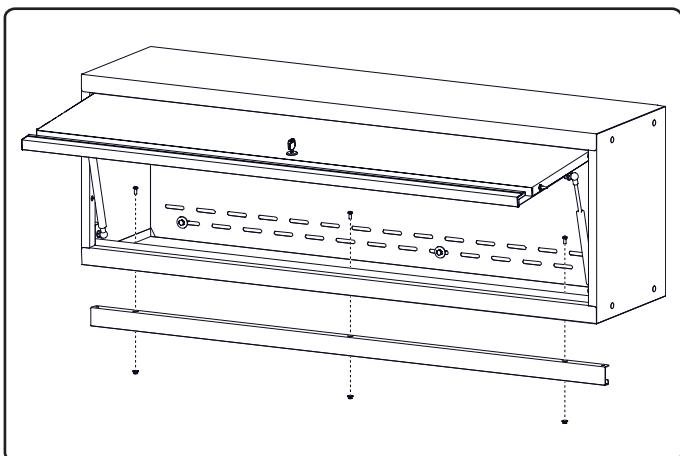


Boulon 3x
(M5 x 12mm)

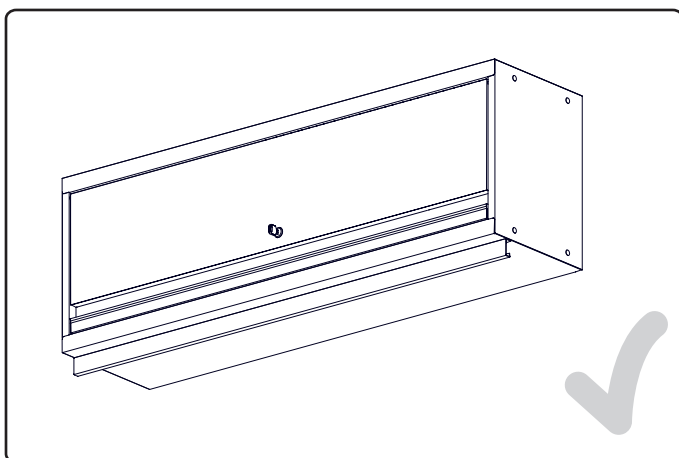
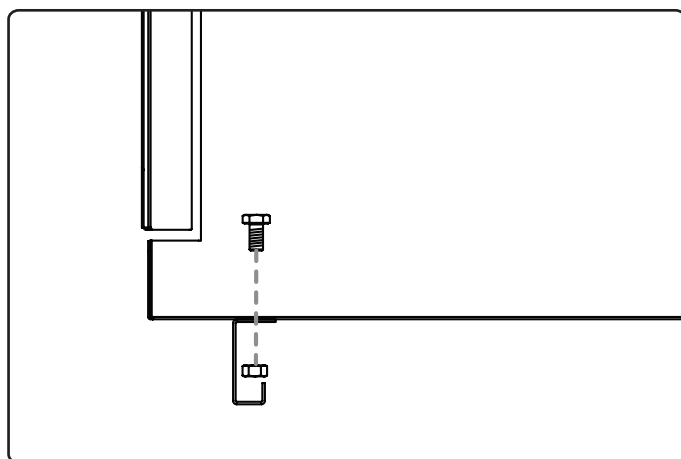
1 Aligner les trous du cache-néon sur ceux de l'armoire.



2 Insérer et serrer les boulons et écrous.



3 Vue transversale.



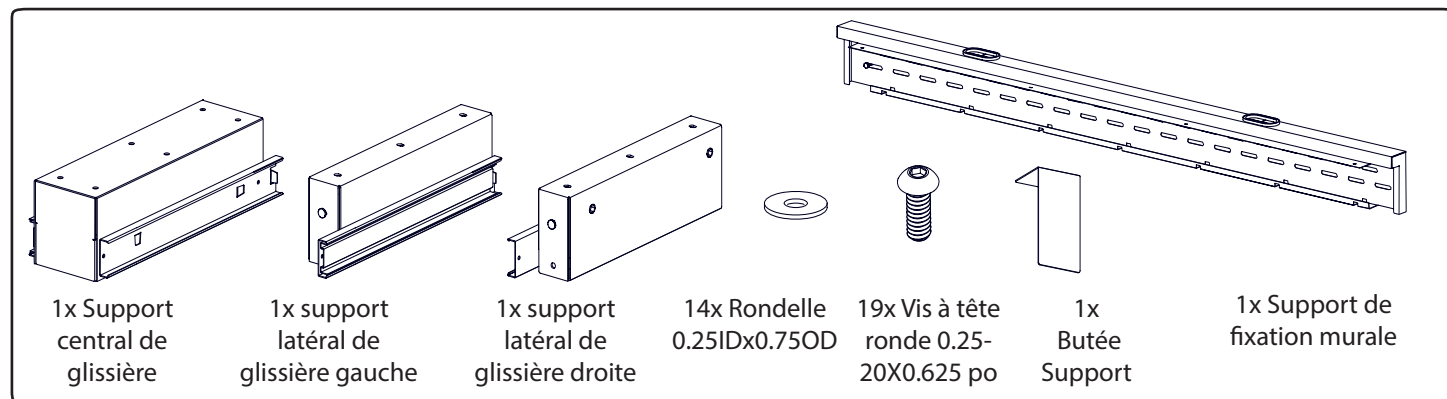
Note :

Si vous installez le dossier en PVC, laissez cette étape pour la fin.

Installation de l'établi

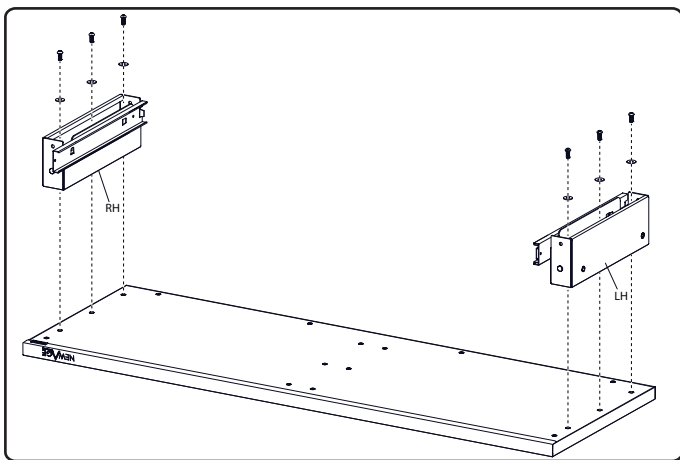
Remarque: Pour les plans de travail partiellement installés, veuillez ignorer les étapes 1 à 5.

i Pièces requises.

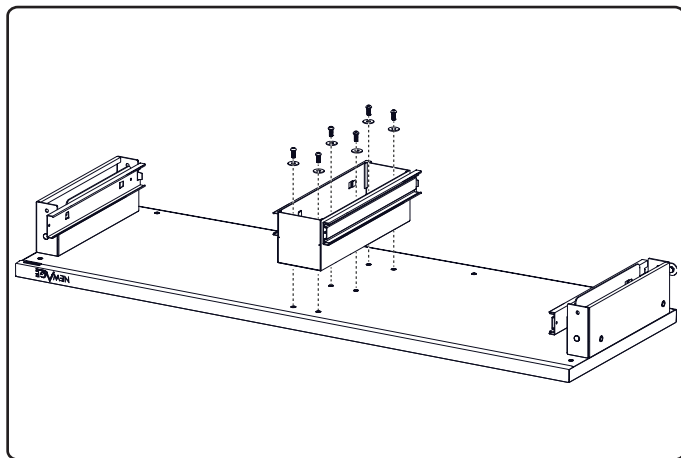


Note : Ne serrez pas complètement les vis du support tant que les tiroirs ne coulisent pas facilement dans leurs supports respectifs.

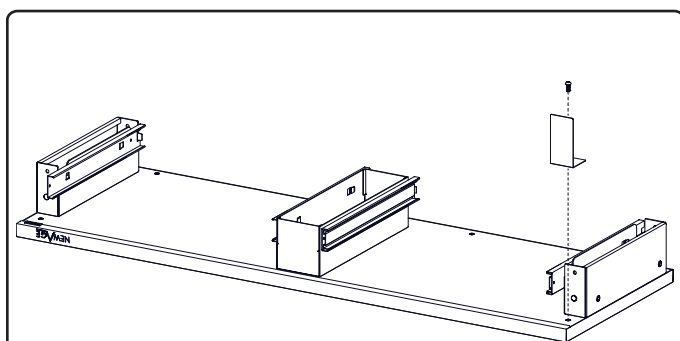
1 Installer les supports latéraux de la glissière sur l'établi à l'aide de trois vis à tête ronde et de trois rondelles.



2 Installer le support central de la glissière sur l'établi à l'aide de 6 vis à tête ronde et de 6 rondelles.

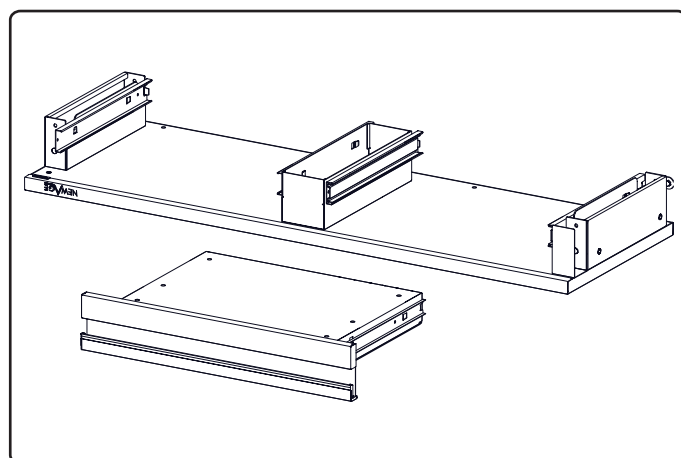


3 Installer la butée sur l'établi à l'aide de 1 vis à tête ronde.



Remarque : Butée à installer du côté du casier.

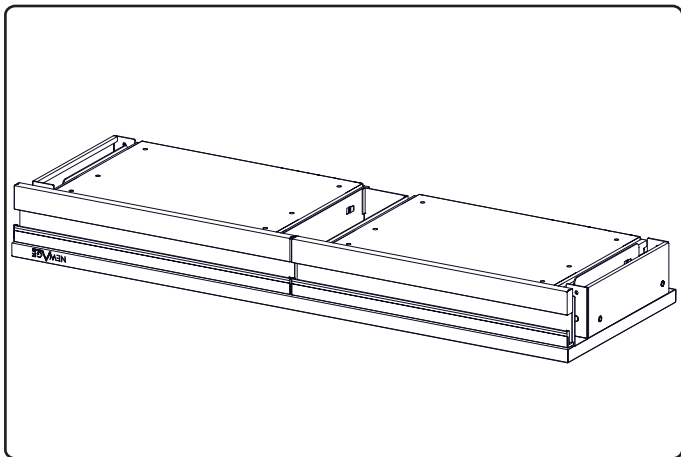
4 Glisser les tiroirs dans le composant de l'établi.



Installation de l'établi

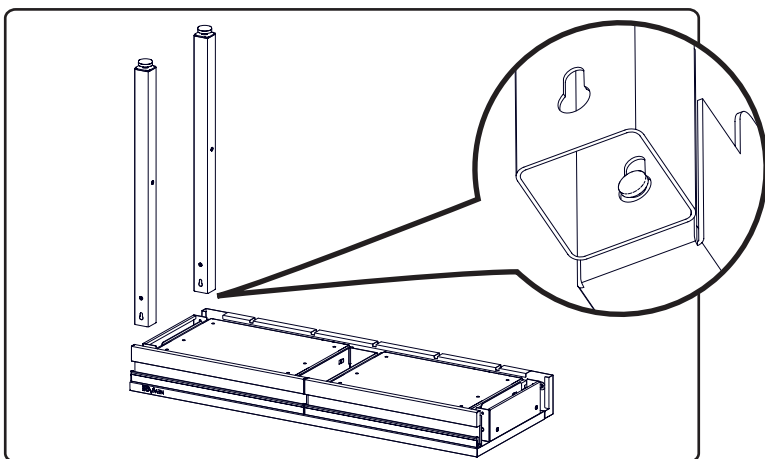
Serrez complètement les vis des supports

- 5** une fois que les tiroirs coulissent parfaitement dans les supports prévus à cet effet.

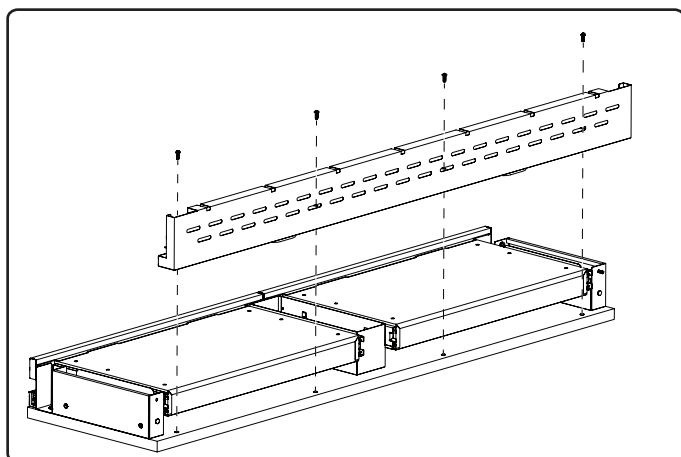


Installez les pieds en les verrouillant dans les fentes prévues à cet effet dans le support latéral.

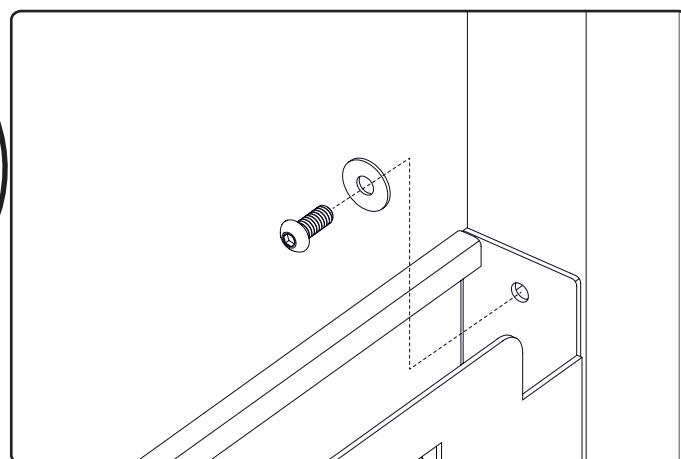
- 7**



- 6** Installez le support mural sur le plan de travail à l'aide de 4 vis à tête ronde.

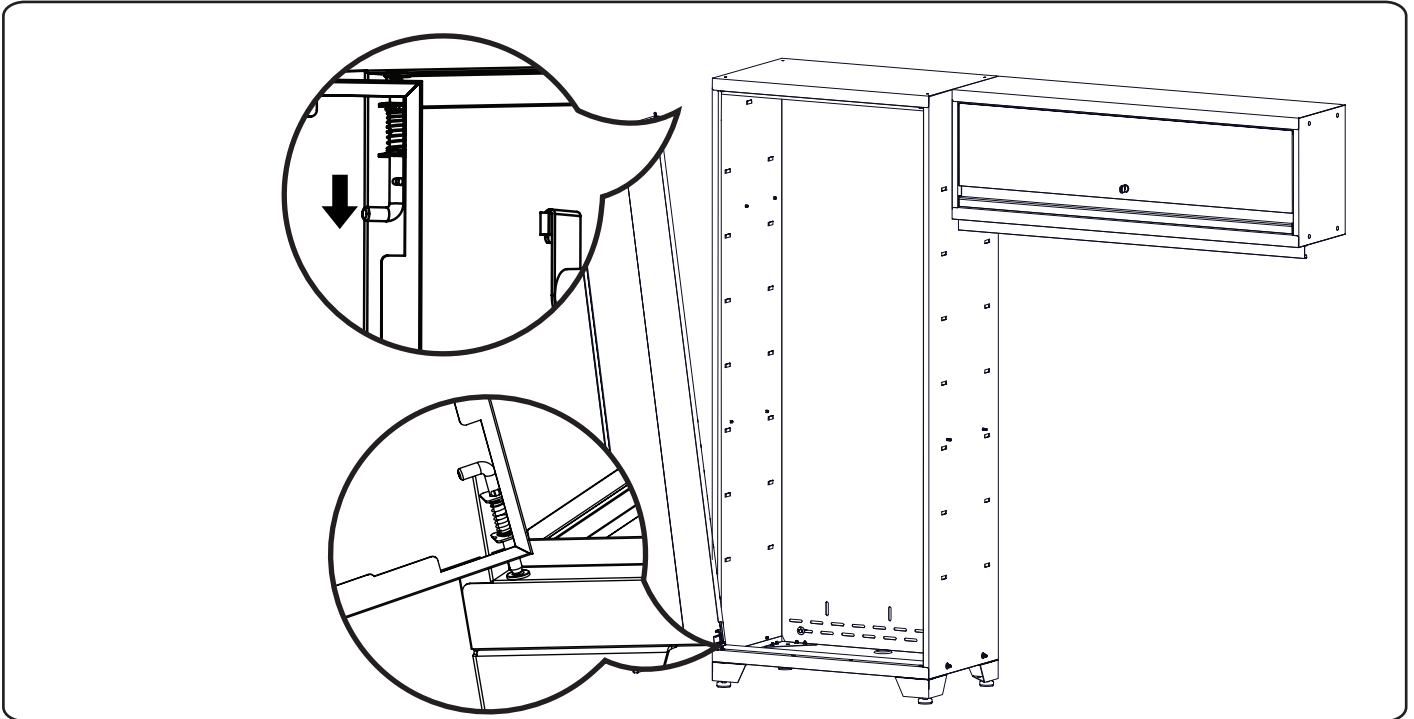


- 8** Installer les pieds sur le support à l'aide de 2 vis à tête ronde et 2 rondelles.

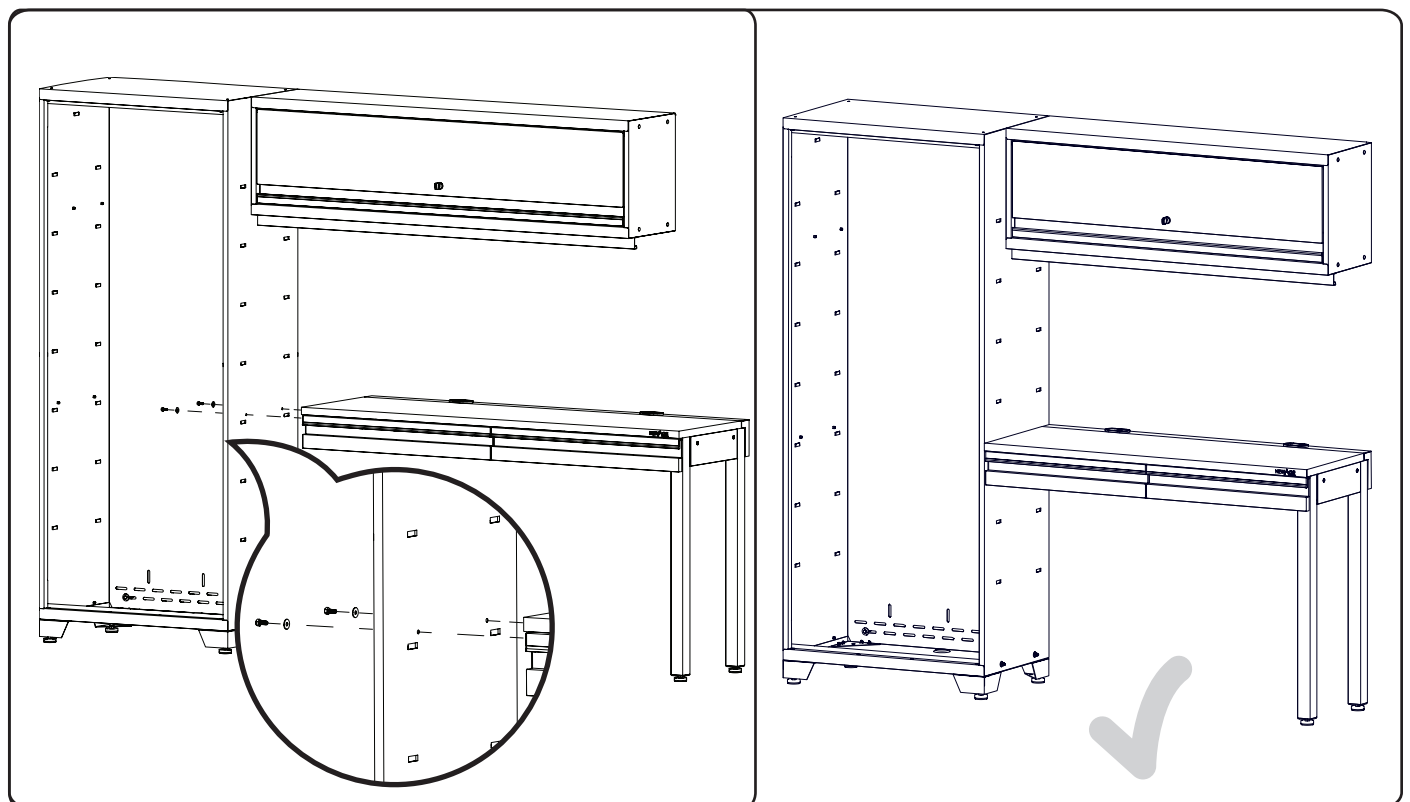


Installation de l'établi dans le casier

- 1 Retirer les portes en tirant vers le bas la goupille à ressort située en haut et en bas du panneau de la porte.

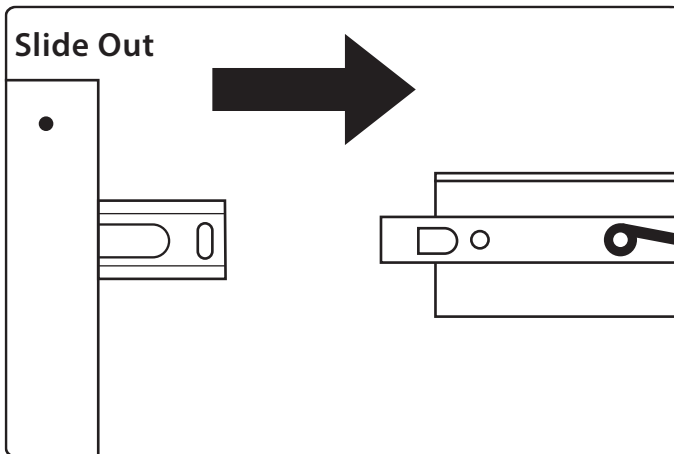
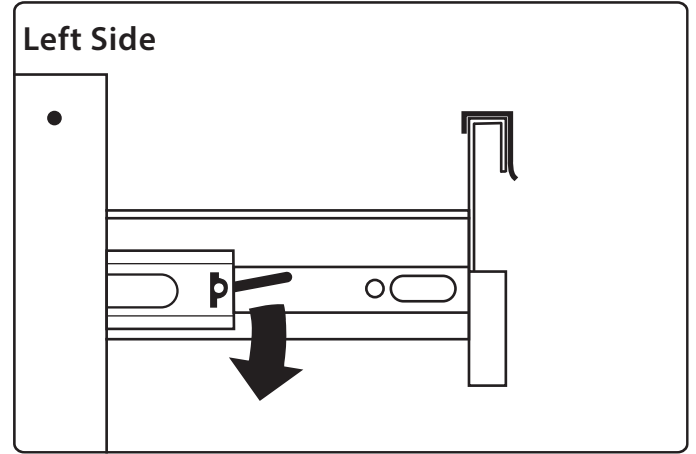
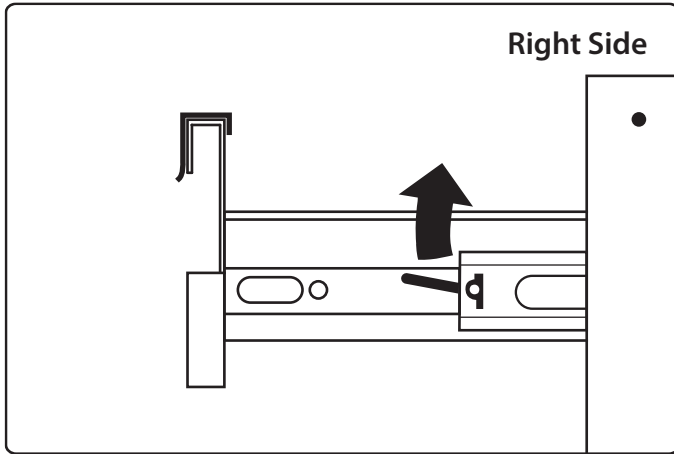


- 2 Serrez les deux boulons hexagonaux de 1/4" et la rondelle de 1/4" pour installer l'établi sur le casier.

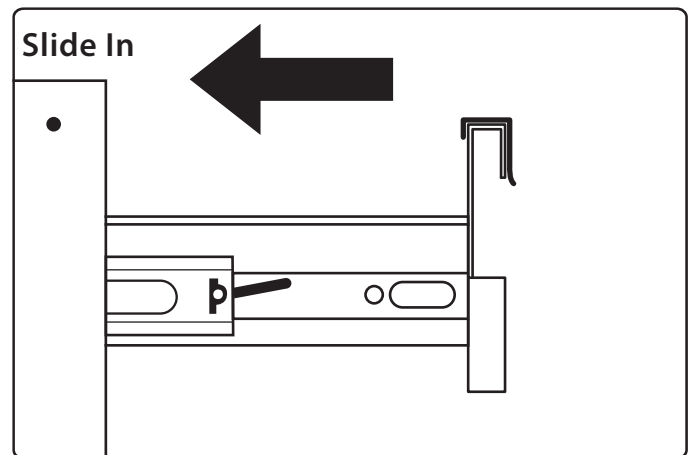
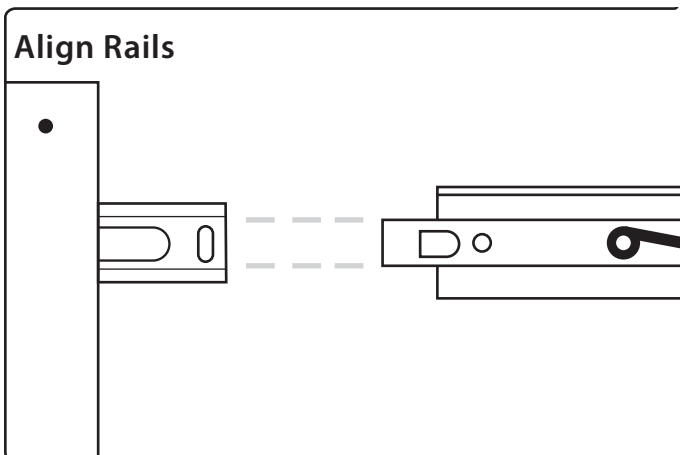


Démontage et installation des tiroirs

Démontage des tiroirs

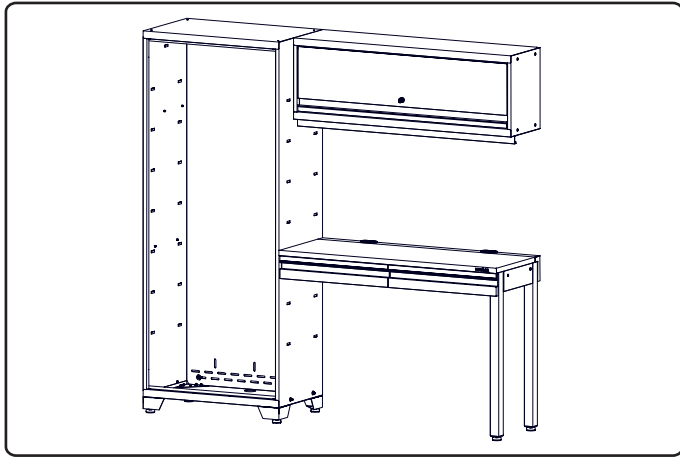


Insertion des tiroirs

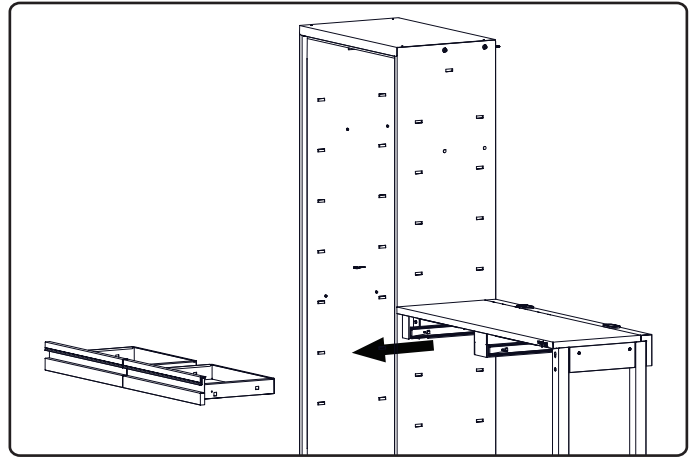


Montage de l'établi au mur

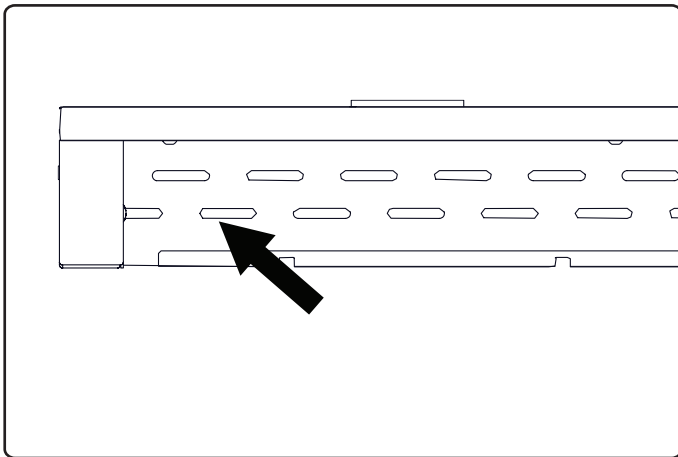
- 1** Placez l'établi en le serrant contre le mur.



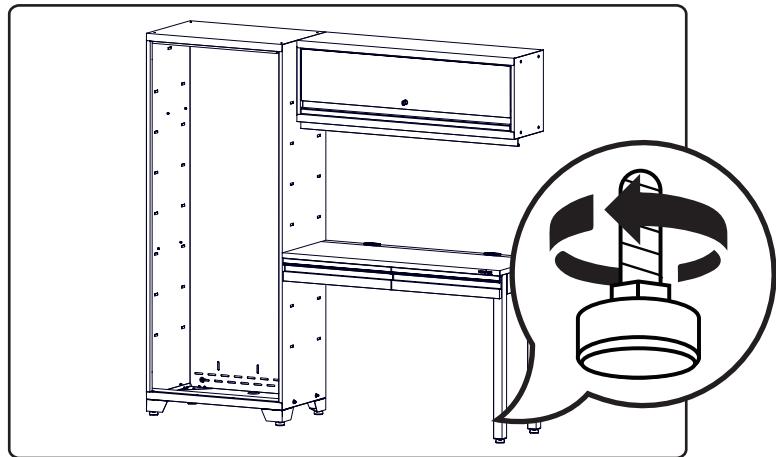
- 2** Retirez les tiroirs des glissières.



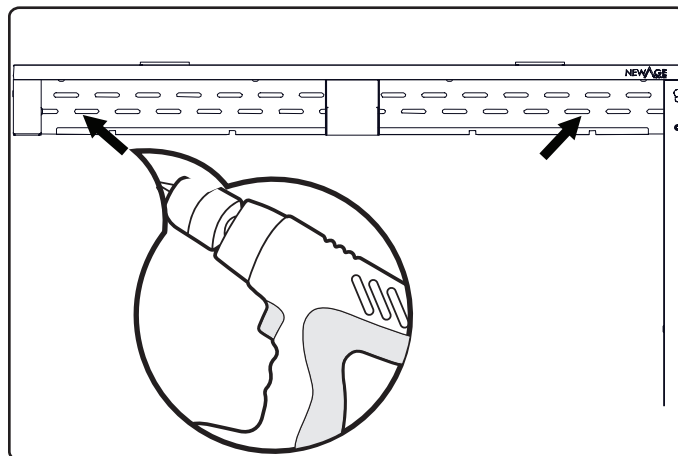
- 3** Alignez l'ensemble de l'établi sur les marques des montants.



- 4** Mettre l'établi à niveau en réglant les pieds.



- 5** Installez 2 vis murales et 2 rondelles à travers les trous perforés dans les montants.

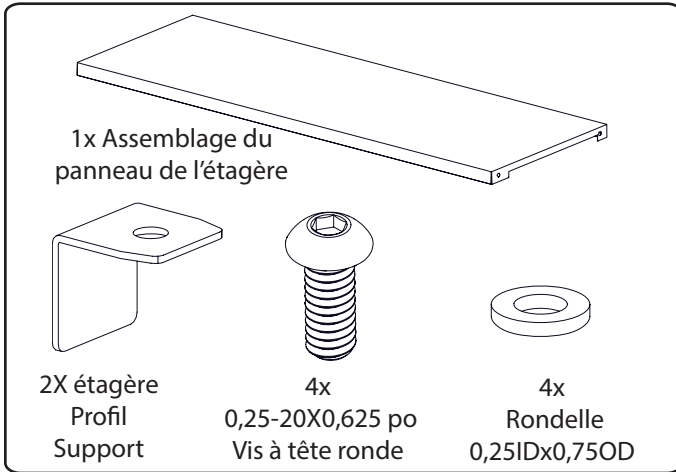


i Maçonnerie.

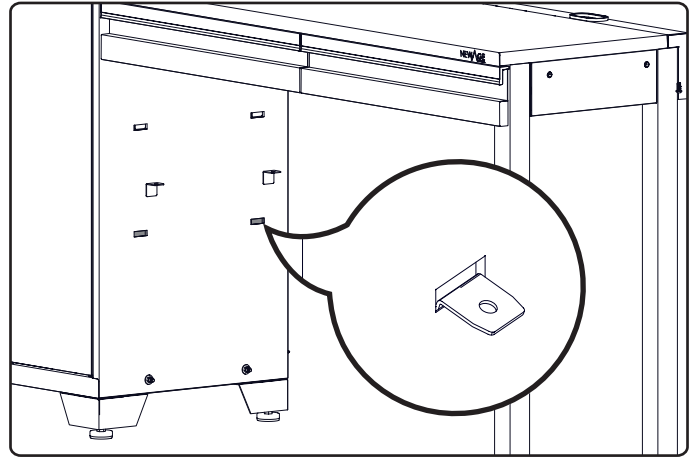
- Suivre les étapes 3 à 4.
- Percer 4 avant-trous dans la bande perforée avec le marteau perforateur et la mèche à maçonnerie.
- Suivre l'étape 6. Fixer 4 x (2 1/4 po x 1/4 po) ancrages pour béton Tapcon (2 1/4 po x 1/4 po) dans le mur. (Non inclus)
- OU 4 x (#10 x 2 po) vis n° 10 x 2 po avec cheville de maçonnerie de 3/16 po. (Non inclus)

Installation de l'étagère de l'établi

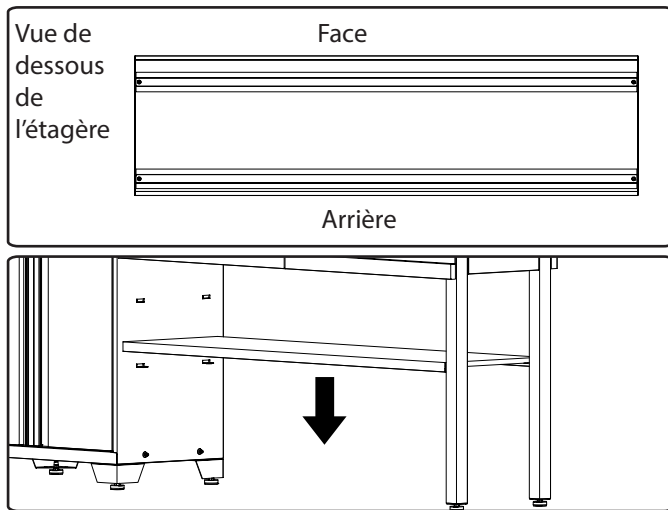
i Pièces requises.



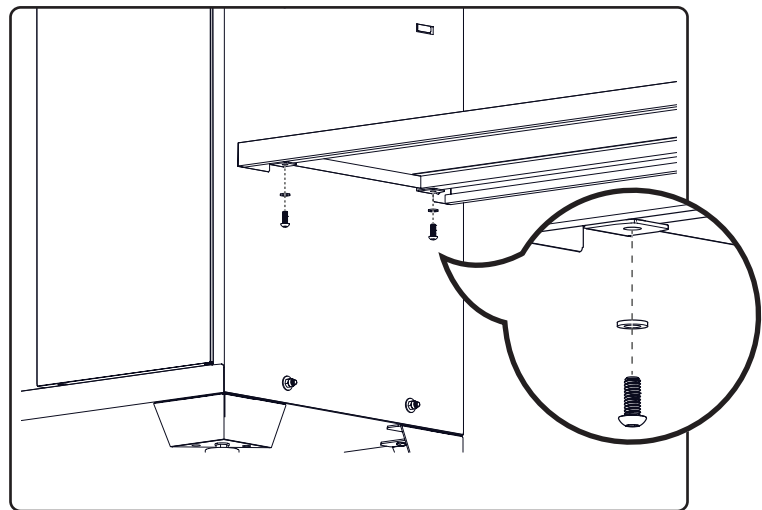
1 Installez les supports d'étagère en biais par rapport à la position désignée dans le casier.



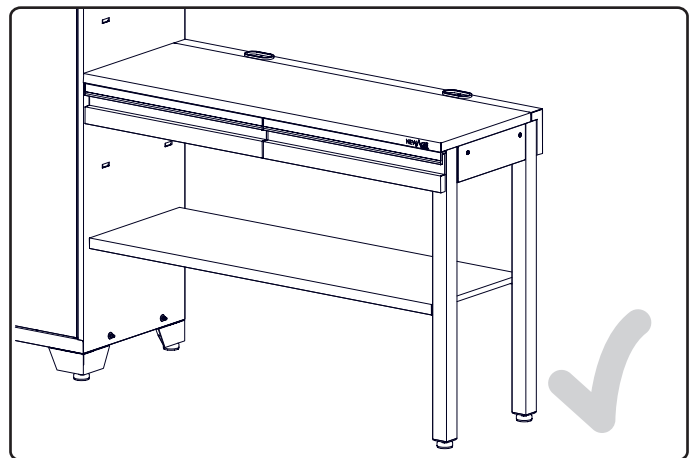
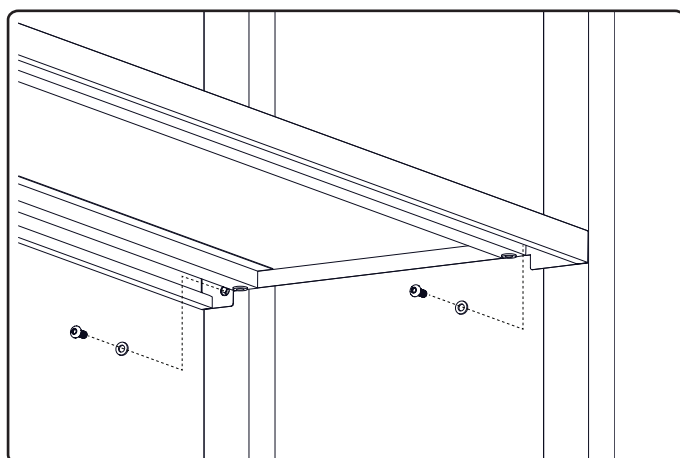
2 Monter le panneau d'étagère sur les supports.



3 Serrer le panneau de l'étagère aux supports de l'étagère à l'aide de 2 vis et de 2 rondelles.

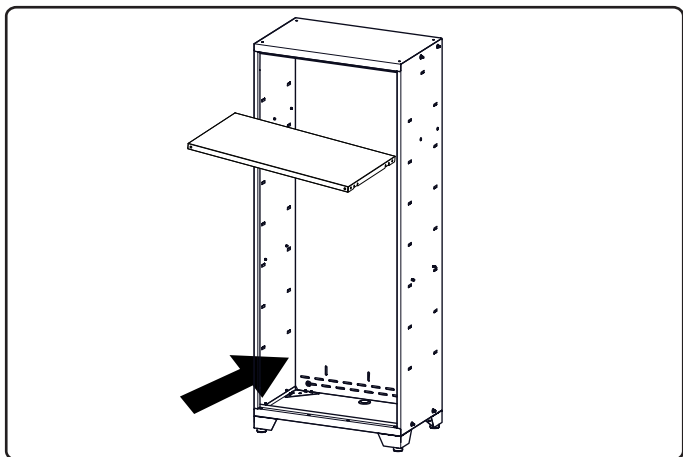


4 Serrer l'autre côté de l'étagère aux pieds de l'établi à l'aide de 2 vis et de 2 rondelles.

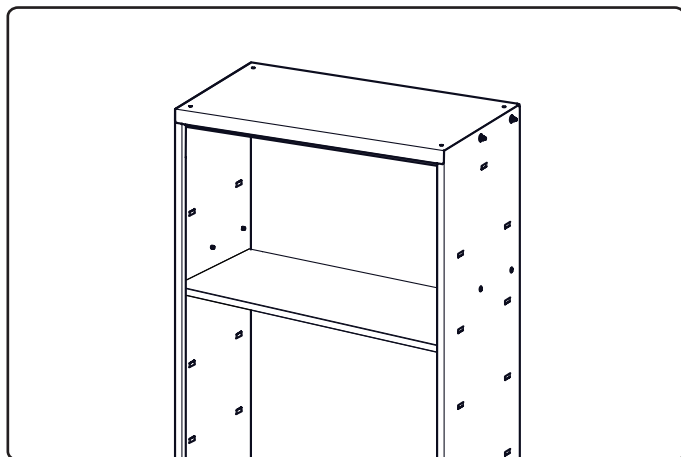


Installation de l'étagère et de la tringle de rangement

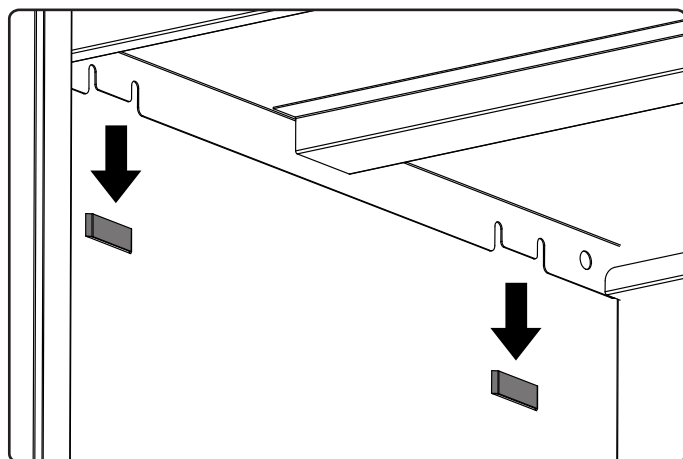
1 Insérer l'étagère légèrement en biais.



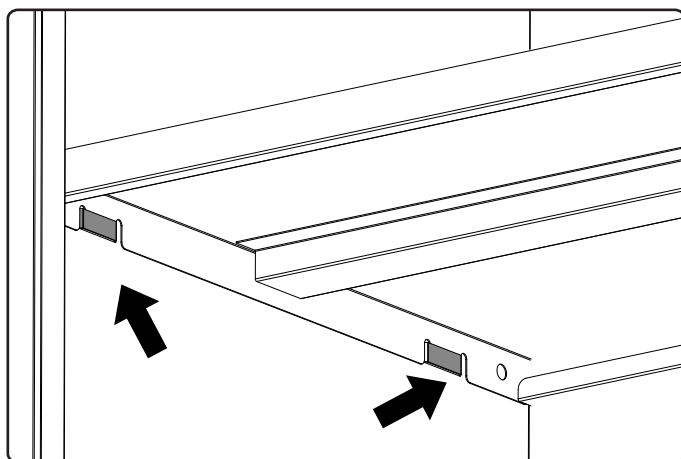
2 Mettre à niveau l'étagère.



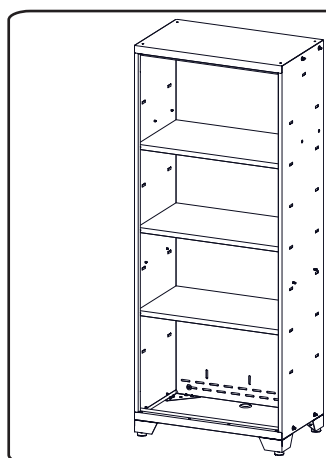
3 Abaisser l'étagère sur des supports en faisant glisser les languettes dans les fentes.



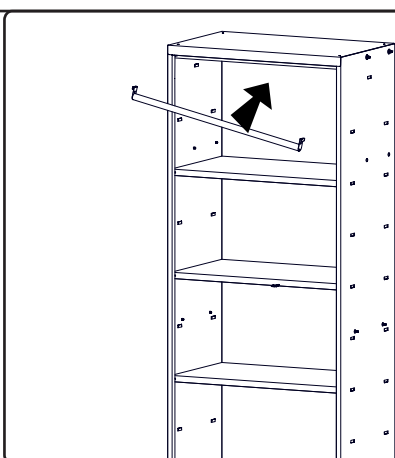
4 S'assurer que l'étagère est bien mise en place.



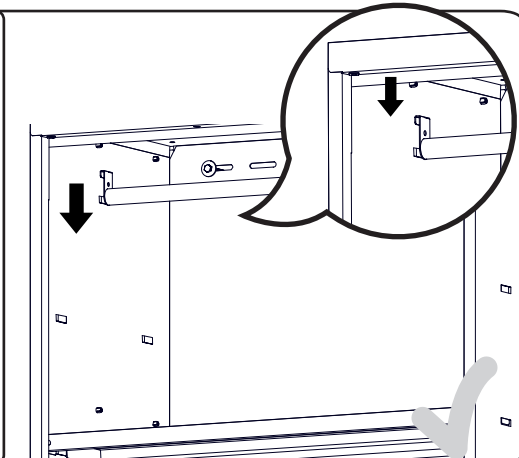
5 Insérer le reste des étagères.



6 Insérer la tringle de rangement en l'inclinant légèrement dans l'armoire.

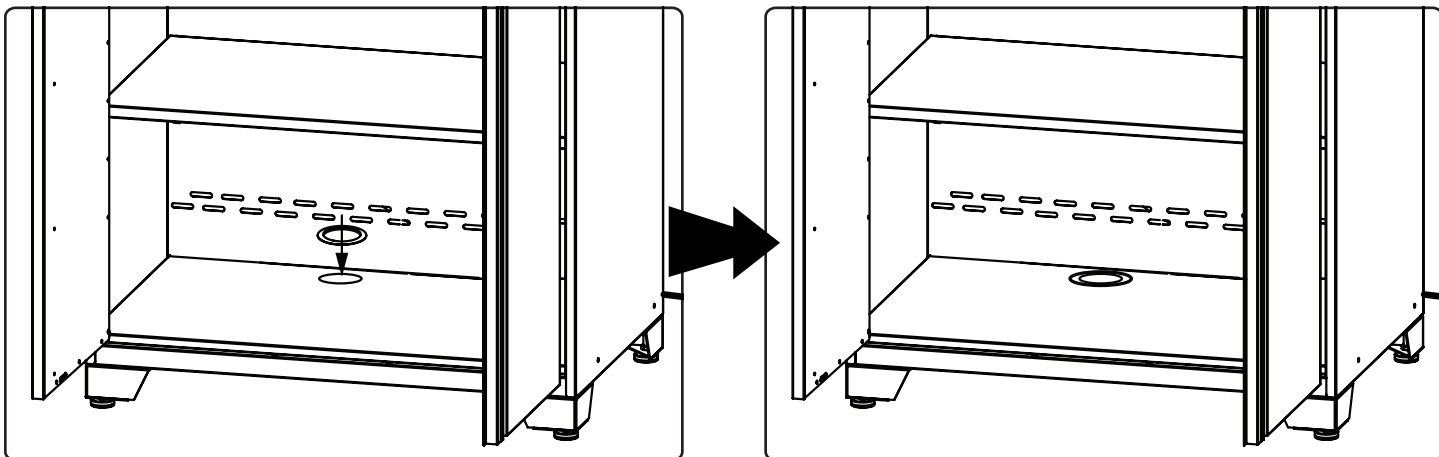


7 Mettre la tringle à niveau et la faire glisser dans la fente centrale.

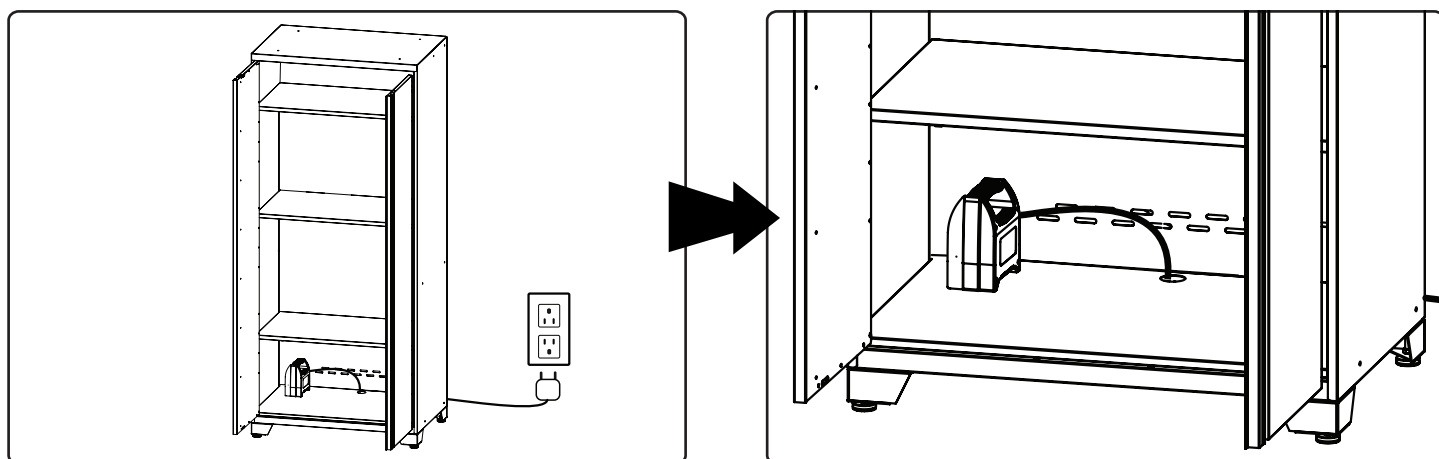


Trous d'accès

- 1 Insérer le passe cable caoutchouc dans le trous a l'interieur de l'armoire.



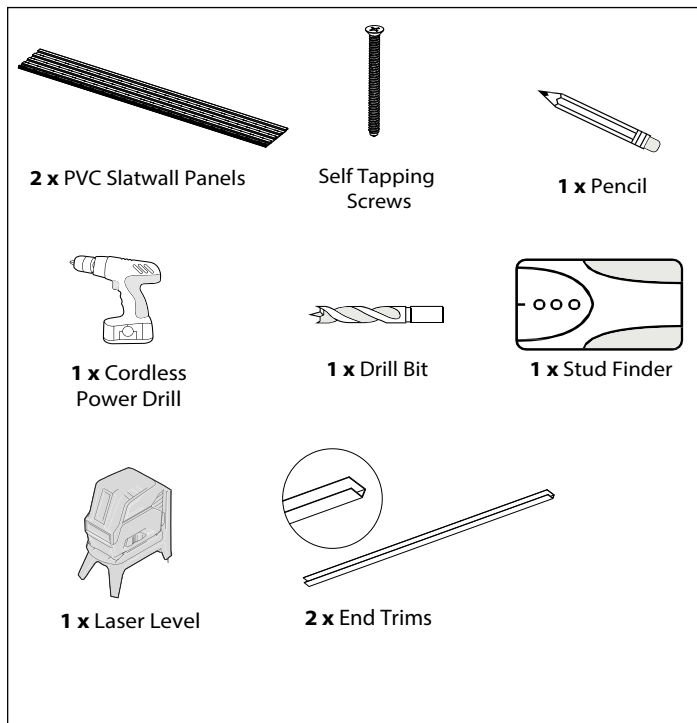
- 2 Le trou d'accès permet un branchement facile à la prise de courant.



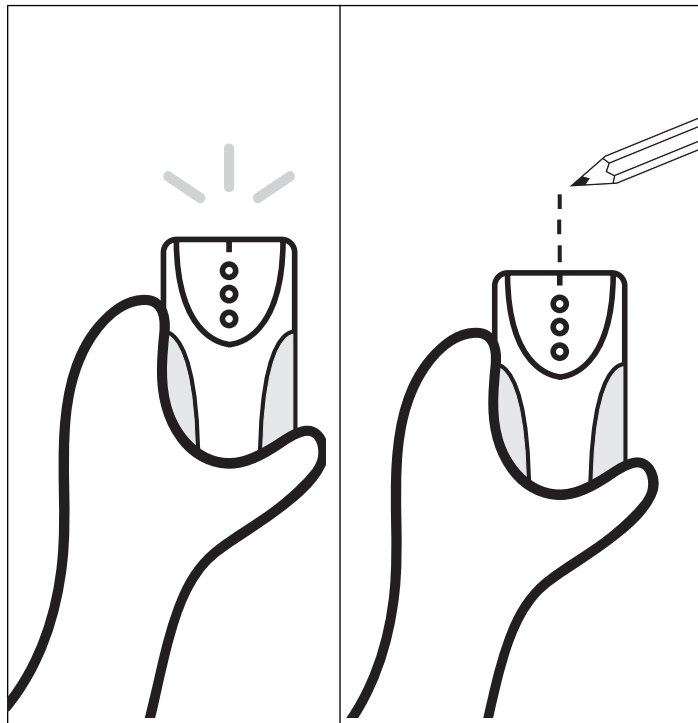
Installation du panneau rainuré

NOTE : Le panneau rainuré en PVC est un ajout optionnel et peut ne pas être inclus dans votre achat. Retirez le panneau cache-lumière de l'armoire murale avant d'installer le panneau rainuré en PVC.

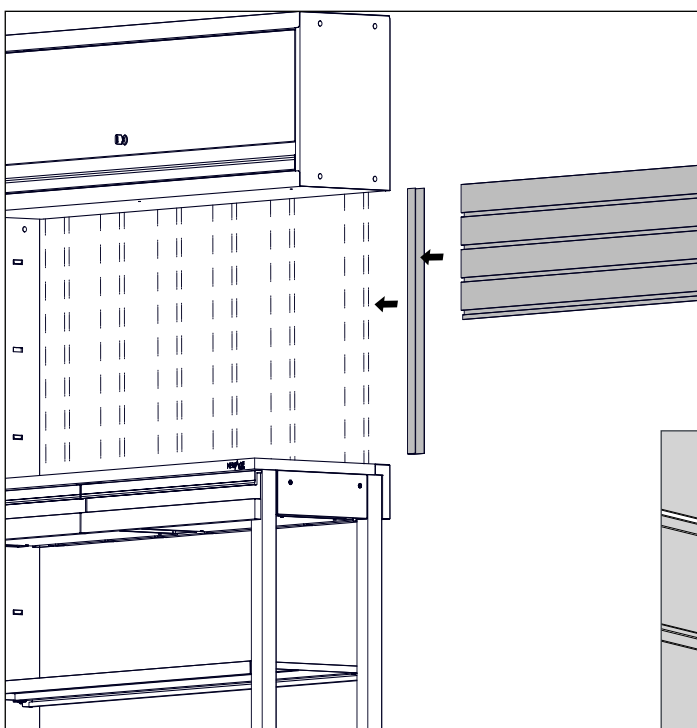
i Pièces et outils requis.



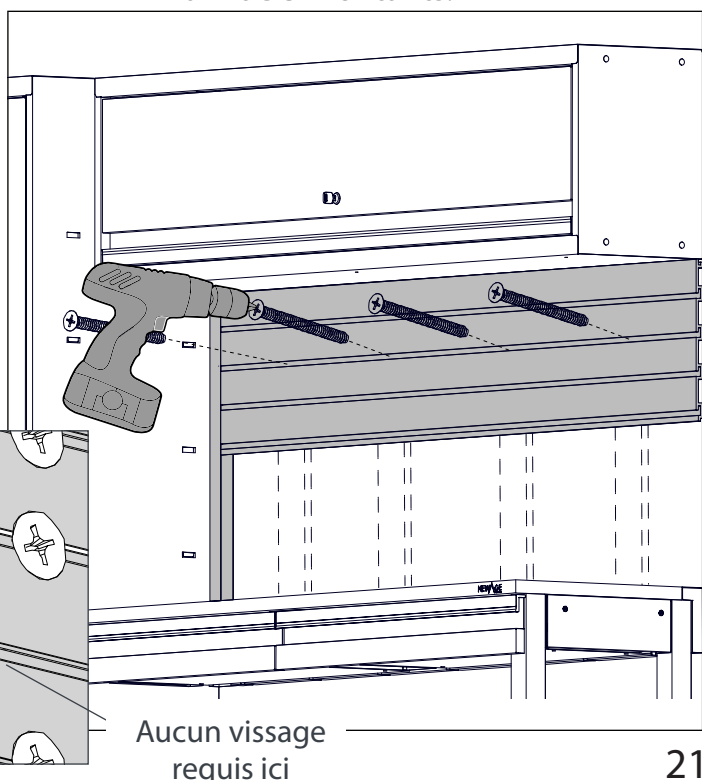
1 Utilisez un détecteur de montant pour repérer les montants et marquez le mur avec un crayon.



2 Préinstallez la garniture d'extrémité avec le panneau rainuré en PVC. Placez le panneau contre le mur et alignez-le contre le casier et l'armoire murale.

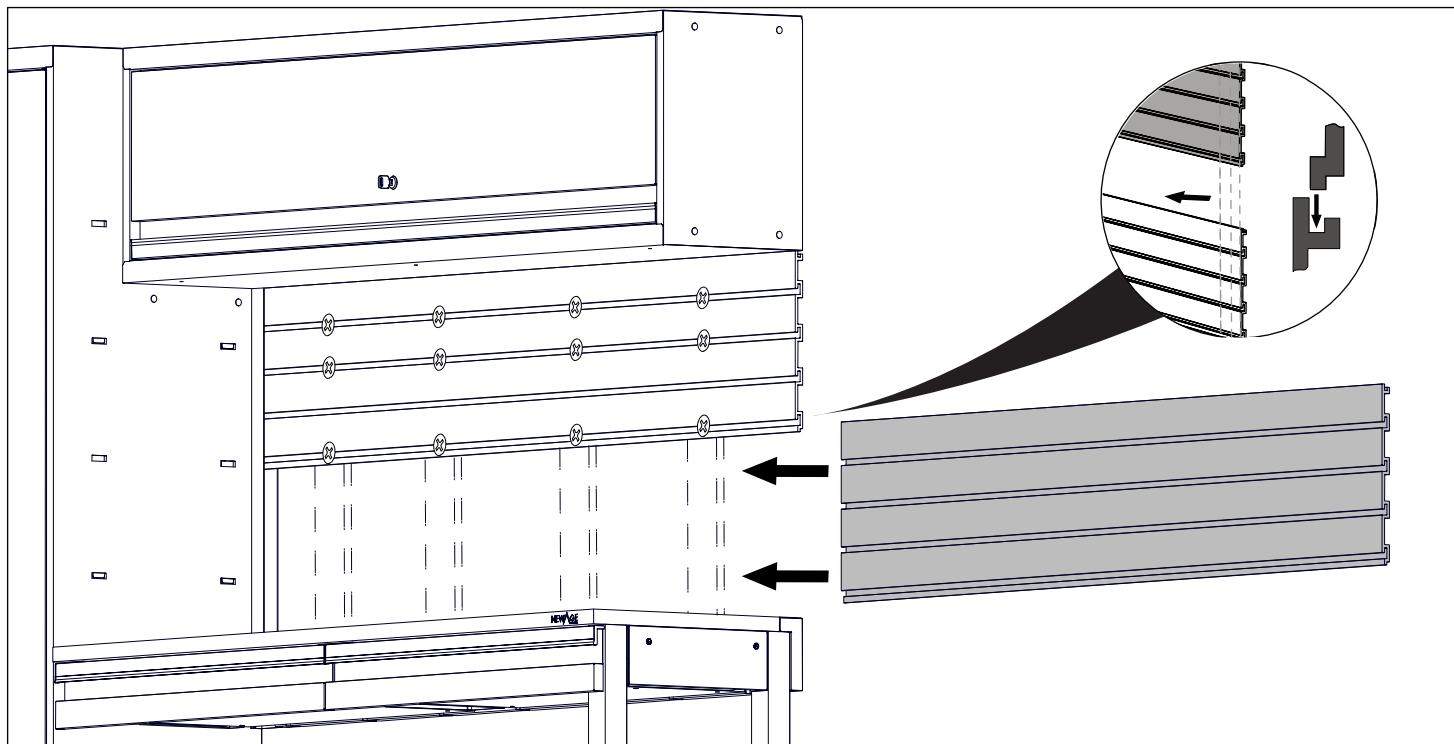


3 Installer le panneau sur les montants à l'aide de 3 vis autotaraudeuse par montant. Les panneaux doivent être installés sur un minimum de 3 montants.



Installation du panneau rainuré

- 4** Insérez le deuxième panneau rainuré en PVC dans la fente du premier panneau. Veillez à ce que le panneau soit inséré jusqu'à la garniture d'extrémité.



- 5** Répétez l'étape 3 pour installer le deuxième panneau sur le mur.

- 6** Desserrez les vis des bords des deux panneaux et insérez la garniture d'extrémité. Veillez à resserrer les vis pour maintenir la garniture d'extrémité sous pression.

