



www.lifetime.com

**\*\*For U.S. and Canada Customers ONLY:\*\***

IF ASSISTANCE IS NEEDED,

**DO NOT CONTACT THE STORE!!!**

CALL OUR CUSTOMER SERVICE DEPARTMENT at **1 (800) 225-3865**

HOURS: 7:00 a.m. to 5:00 p.m. Monday through Friday (MST)

Call, or visit our Web site for Saturday hours

**\*\*Customers outside the U.S. or Canada, please contact the store.\*\***

## BACKBOARD AND RIM COMBO

### MODEL #73729



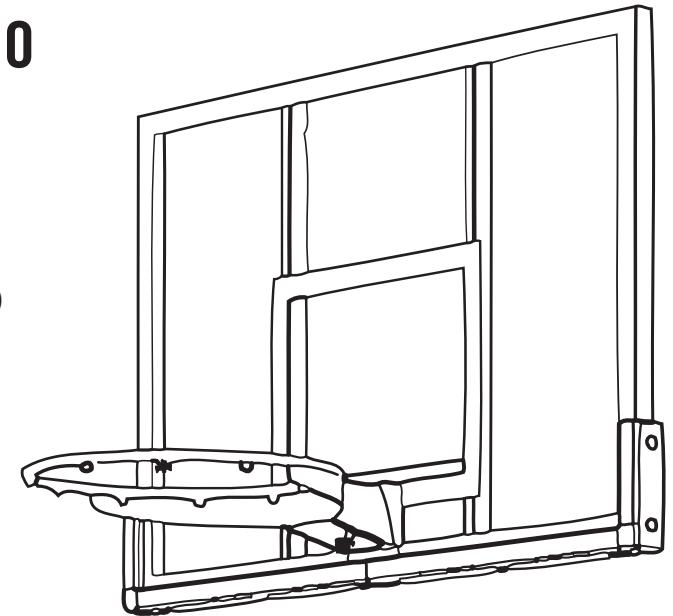
### WARNING



Failure to comply with any of the warnings in these instructions may result in serious personal injuries such as cuts, broken bones, nerve damage, paralysis, brain injury, or death. Failure to comply may also result in property damage. Please heed all warnings and cautions. To ensure your safety, do not attempt to assemble this system without reading and following **all** instructions carefully. Identify and inventory the parts using the Parts List.

### ASSEMBLY INSTRUCTIONS AND OWNER'S MANUAL

**\*\*A MINIMUM OF TWO ADULTS ARE REQUIRED FOR ASSEMBLY\*\***



Save this instruction in the event that the manufacturer has to be contacted for replacement parts.

For Customer Service in mainland Europe:  
E-mail: [cs@lifetimeproducts.eu](mailto:cs@lifetimeproducts.eu)

## PARTS LIST

ID	Part #	Description	Qty	✓
AA	825619	Rim	1	<input type="checkbox"/>
AB	1030889	Backboard	1	<input type="checkbox"/>
AC	502005	Net	1	<input type="checkbox"/>
AD	502056	Plastic Guard	1	<input type="checkbox"/>
AE	800165	Rim Cover Plate	1	<input type="checkbox"/>
AF	CB08999	Corner Frame Pad	2	<input type="checkbox"/>
AG	CB09099	Center Frame Pad	1	<input type="checkbox"/>
AH	804018	Rim Pivot Bracket	1	<input type="checkbox"/>
AI	804033	Spring Retainer Plate	1	<input type="checkbox"/>
<b>Rim Hardware (HD9136B)</b>				
RA	BS01000	#7 x 3/8" Screw	4	<input type="checkbox"/>
RC	300106	5/16" x 2" Carriage Bolt	2	<input type="checkbox"/>
RD	300114	5/16" Push Nut	2	<input type="checkbox"/>
RE	302011	5/16" x 1 1/4" Carriage Bolt	2	<input type="checkbox"/>
RF	302014	5/16" Flat Washer	2	<input type="checkbox"/>
RG	302061	5/16" x 5" Hex Bolt	2	<input type="checkbox"/>
RH	302090	5/16" Nylock Flange Nut	6	<input type="checkbox"/>
RI	502060	Compression Spring	2	<input type="checkbox"/>
RJ	510038	3/8" x 5 1/2" Axle	1	<input type="checkbox"/>
<b>Frame Pad Hardware (HH00700)</b>				
FA	BS00100	#10 x 7/8 Self Drilling Screw	10	<input type="checkbox"/>

## HARDWARE IS ACTUAL SIZE

(Unless otherwise indicated)

RA



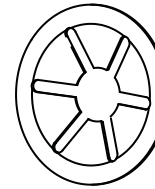
RH



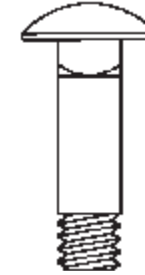
RC



RD



RE



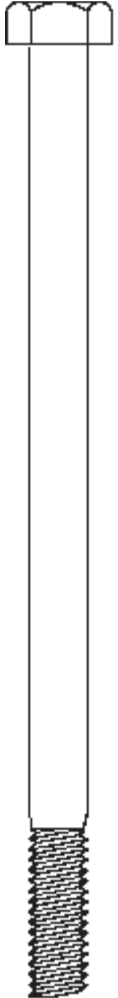
RF



FA



RG



**! Mounting Kit Not Included**

\*Not all Hardware will be used.

1. The Backboard can be mounted to any Lifetime Products® brand pole or most other commercially available poles. If using other than a Lifetime Products® pole, the mounting bracket design must provide adequate support behind the Rim mounting holes as well as the upper Backboard mounting holes. If adequate support is not provided, the Backboard may be damaged and the warranty will be void. Lifetime Products, Inc.® offers a pole system with a height adjusting mechanism that can be used to safely mount this Backboard. Please Call Customer Service at the number on Page One for more information.
2. If using an existing pole system that **does not** include extension arms, or if a pole system is not being used, see Page 8.



## SAFETY INSTRUCTIONS



**Failure to follow these safety instructions may result in serious injury or property damage and will void the warranty.** *The owner must ensure that all players know and follow these rules for safe operation of the system.*

- Proper and complete assembly, use, and supervision is essential for proper operation and to reduce the risk of accident or injury. A high probability of serious injury exists if this system is not installed, maintained, or operated properly.
- If using a ladder during assembly, use extreme caution. Follow all warnings and cautions on the ladder carefully.
- Two people are required for assembly.
- Climate, corrosion, or misuse could result in system failure.
- If technical assistance is required, contact the manufacturer.

*Most injuries are caused by misuse and/or failure to follow instructions. Use caution when using the system.*

### Tools and Materials Required for assembly (Not Included)

1. Adjustable Wrench
2. 1/2" Wrenches (2)
3. Electric Drill
4. 1/2" Socket Wrench

STOP!

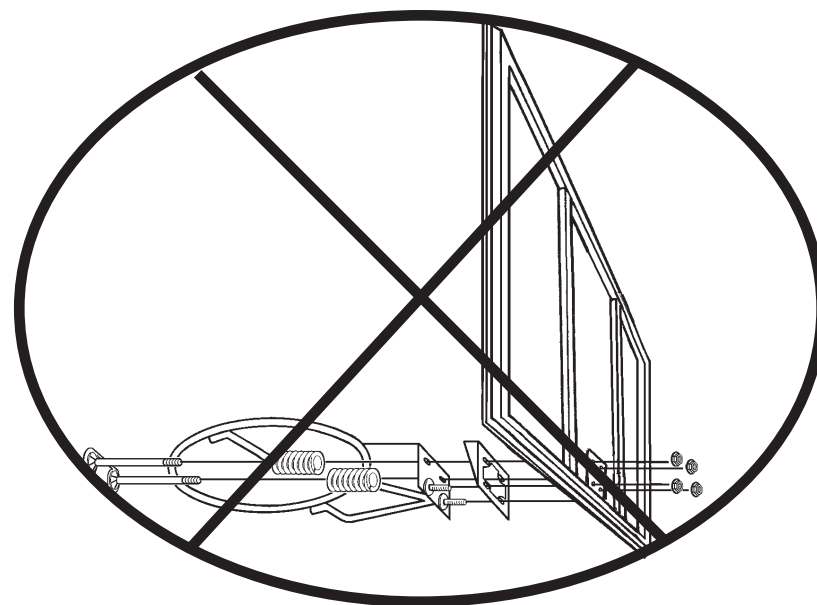
## BEFORE BEGINNING ASSEMBLY

STOP!

- A. Identify and inventory all parts using the checklist boxes on the Parts List. Keep the hardware bags and their contents separate. If any parts are missing, call our Customer Service Department.
- B. Test fit all Bolts by inserting them into their respective holes. If necessary, carefully scrape away any excess powder coating buildup from inside the holes. Do not scrape away all of the powder coating. Bare metal may rust.

**ATTENTION:** This Backboard is *not* designed for custom installations. The Backboard is designed for use with a Lifetime Products® Pole Mounting Unit or Universal Mounting Bracket. If a Pole or Mounting Bracket is being used, mount the Backboard and Rim using the hardware included with the Pole system or Mounting kit and according to the directions included with that product. Depending upon which mounting method is used, you will follow either Option 1 or 2 according to indications on the next page. The Pole or Mounting Bracket will include a set of Backboard Brackets.

**Note:** A Universal Mounting Bracket will allow you to install the Backboard to a wall, roof, or 3 1/2" Pole.



**NOTE:** Do not mount the Rim directly to the Backboard. The strike plate on the Backboard is not designed to hold the weight of the Rim, and will not be able to support it. If you need to mount the Rim to the Backboard without using a Pole system or Universal Bracket system, you must place a metal support plate behind the Backboard. Failure to use a support plate will result in damage to the Backboard. Support must also be provided at the top of the Backboard using the Carriage Bolts in the slots as shown on Pages 4 and 5 in these instructions.

### Register your product online at [www.lifetime.com](http://www.lifetime.com).

At Lifetime, we are committed to providing innovative and quality products. While registering, you will have the opportunity to give us your feedback. Your input is valuable to us.

You can also opt in to receive new product notifications or promotions.

In the unlikely event of a product recall or safety modification, your registration provides the information we need to notify you directly.

Registration is fast, easy, and completely voluntary.

*Maintaining your privacy is our long-standing policy at Lifetime. And you can rest assured that Lifetime will not sell or provide your personal data to other third parties, or allow them to use your personal data for their own purposes.*

We invite you to read our privacy policy at [www.lifetime.com](http://www.lifetime.com)

**REGISTER today!**



## WARNING



The Rim and Backboard Combo kit must be mounted and supported properly. Damage will occur if sufficient Rim support is not provided.

Required for this page:

1/2" Wrench



HD9136B

(RH)

(4)



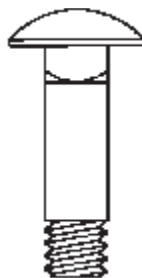
(RC)

(2)

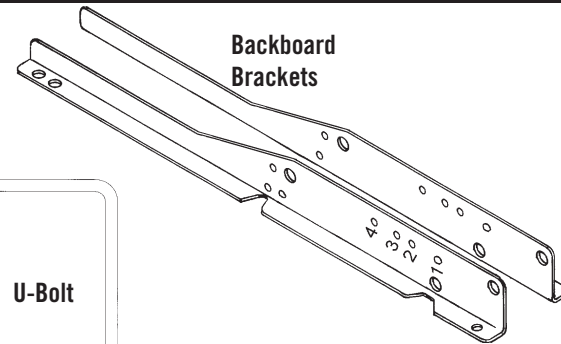


(RE)

(2)



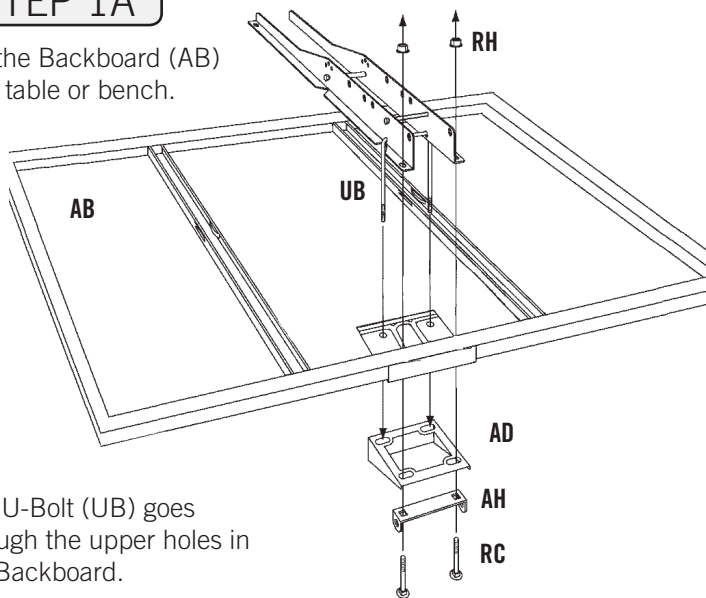
If you have Backboard Brackets that come with a U-Bolt, use Option 1 and the U-Bolt provided with the Brackets. If the Backboard Brackets don't include a U-Bolt, use Option 2 instead.



**OPTION 1** THIS OPTION IS FOR USE WITH BACKBOARD BRACKETS AND A U-BOLT. ASSEMBLE THE U-BOLT (PROVIDED WITH THE BACKBOARD BRACKETS) TO THE BACKBOARD BRACKETS ACCORDING TO THE INSTRUCTIONS PROVIDED IN THE POLE OR MOUNTING BRACKET UNIT.

**STEP 1A**

Lay the Backboard (AB) on a table or bench.



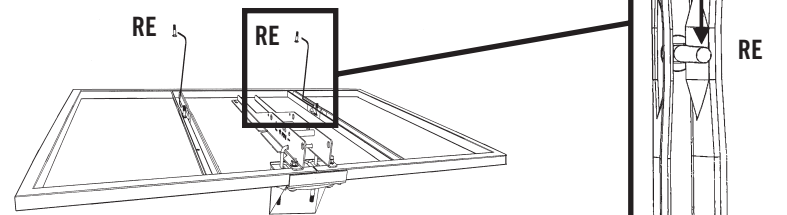
The U-Bolt (UB) goes through the upper holes in the Backboard.

*Only hand tighten the Nuts (RH) now.*

*NOTE: The Backboard Brackets shown are Lifetime Products® models and are for illustration purposes only. If using Brackets other than the Lifetime Products® models shown here, refer to the instructions provided with the Brackets.*

**STEP 1B**

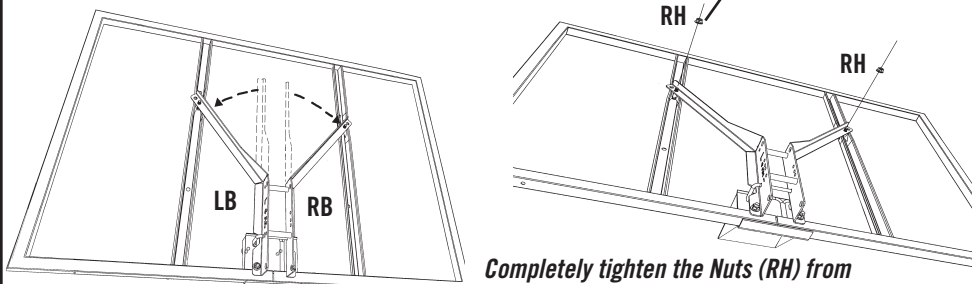
Slide the Carriage Bolt (RE) into the crimped slot in each Backboard channel.



**STEP 1C**

Bend the Backboard Brackets out so the lower holes go over the Carriage Bolts.

*Do not overtighten these Nuts.*

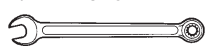


*Completely tighten the Nuts (RH) from Step 1A.*

**To finish the assembly, turn to Page 6**

Required for this page:

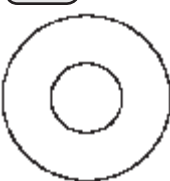
1/2" Wrench



HD9136B

RF (2)

RH (4)



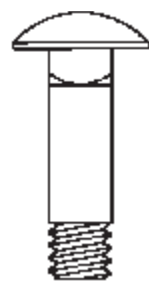
RC (2)



RG (2)



RE (2)

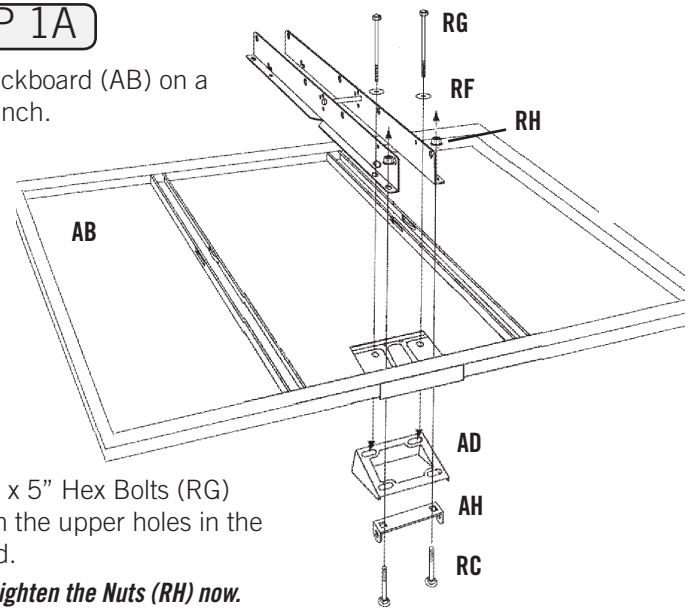


OPTION 2

THIS OPTION IS FOR ASSEMBLY WITHOUT A U-BOLT.

STEP 1A

Lay the Backboard (AB) on a table or bench.



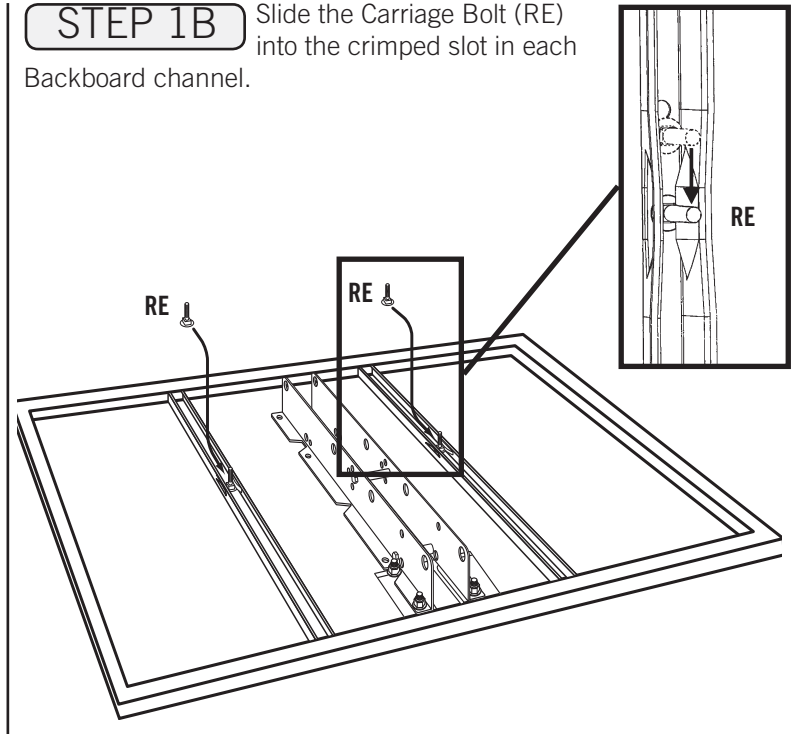
The 5/16" x 5" Hex Bolts (RG) go through the upper holes in the Backboard.

Only hand tighten the Nuts (RH) now.

NOTE: The Backboard Brackets shown are Lifetime Products® models and are for illustration purposes only. If using Brackets other than the Lifetime Products® models shown here, refer to the instructions provided with the Brackets.

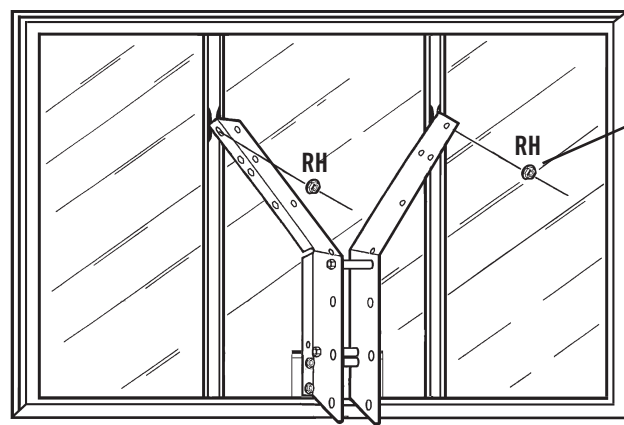
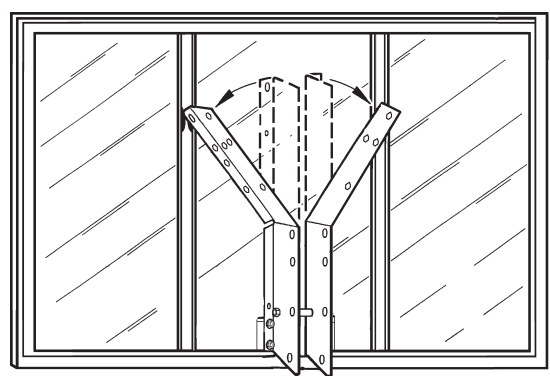
STEP 1B

Slide the Carriage Bolt (RE) into the crimped slot in each Backboard channel.



STEP 1C

Bend the Backboard Brackets out so the lower holes go over the Carriage Bolts.



Do not overtighten these Nuts (RH).

Completely tighten the Nuts (RH) from Step 1A.

To finish the assembly, turn to Page 6

**Required For This Page:**

1/2" Wrench

1/2" Socket  
Wrench

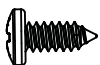
Screwdriver

HD9136B

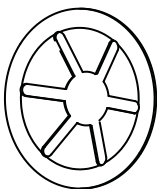
(RH) (2)



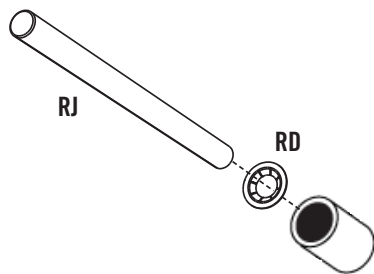
(RA) (4)



(RD) (2)



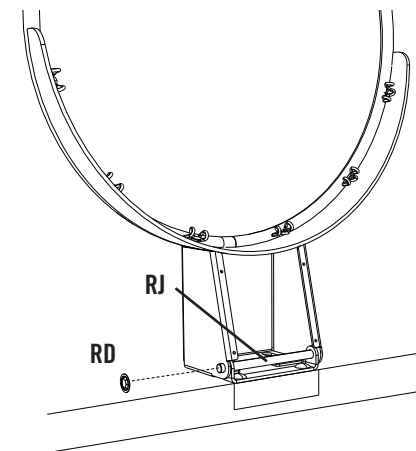
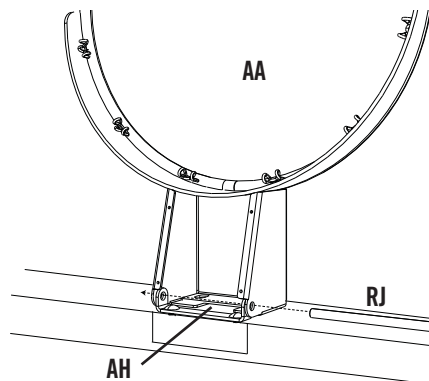
- 2** Use the 1/2" socket head from the socket head wrench to press one Push Nut (RD) onto one end of the Axle (RJ).



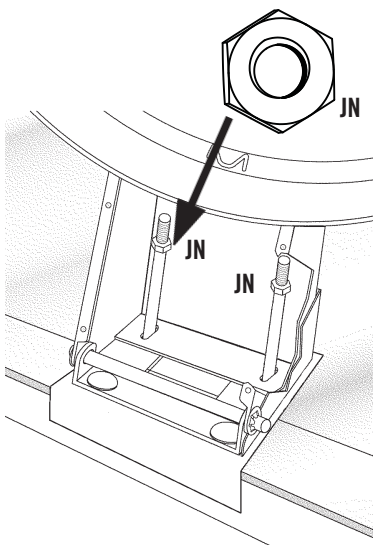
*Note: The Push Nut should rest about 1/4" from the end of the Axle. If the Push Nut slips on too far, continue sliding it to the other end of the Axle to remove it and try again.*

- 3** Turn the Backboard over so it faces up.

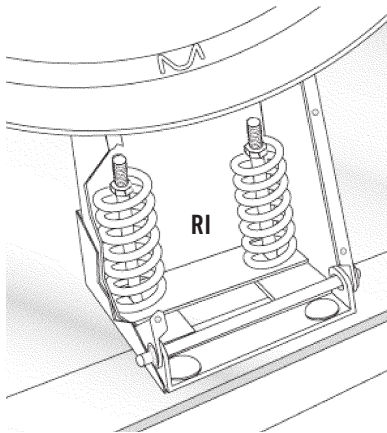
Slide the end of the Axle (RJ) through the Rim (AA) and the Rim Pivot Bracket (AH). Press the Push Nut (RD) onto the end of the Axle. Use the 1/2" socket head to secure the Push Nut if needed.



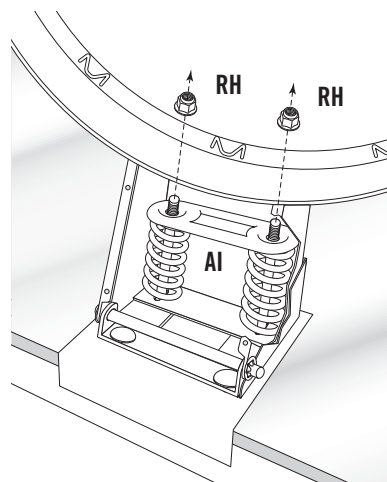
- 4** If the unit with the U-Bolt includes Jam Nuts (pictured actual size below) they are to be secured onto the ends of the U-Bolt or Hex Bolts here.



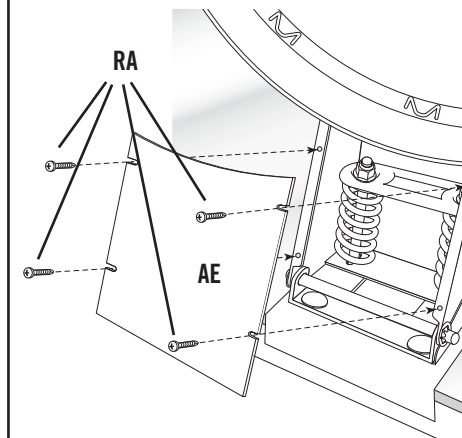
- 5** Slide the Compression Springs (RI) onto the legs of the U-Bolt or Hex Bolts.



- 6** Tighten the Nylock Flange Nuts (RH) until the Rim is under the desired tension.

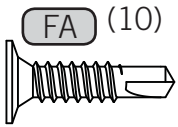


- 7** Fasten the Rim Cover Plate (AE) to the Rim (AA) using the #7 x 3/8" Screws (RA).



**Required for This Page:**

Electric Drill  
HH00700

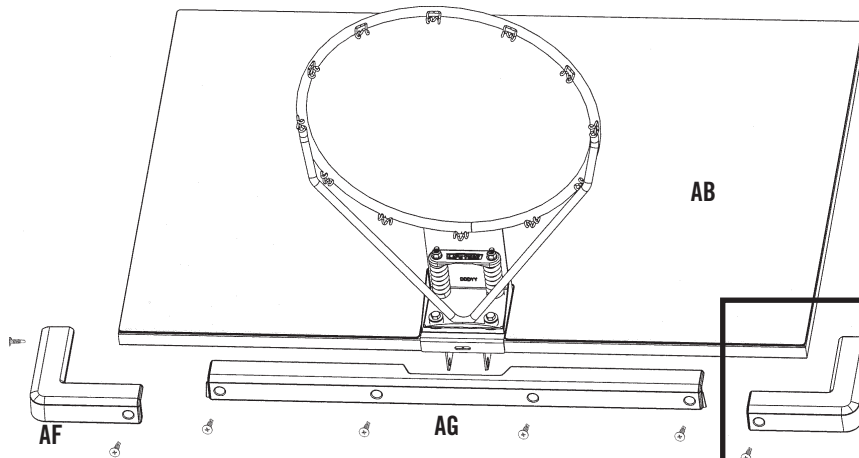


**8** Remove the plastic film from the Backboard.

The lip of the Frame Pad overlaps the front of the Backboard.

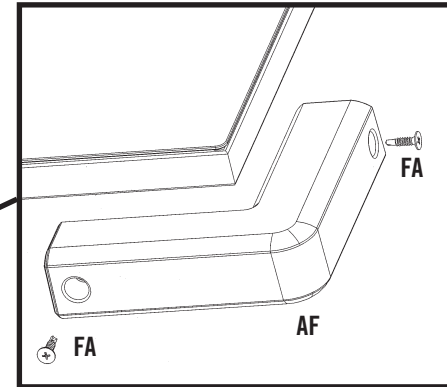
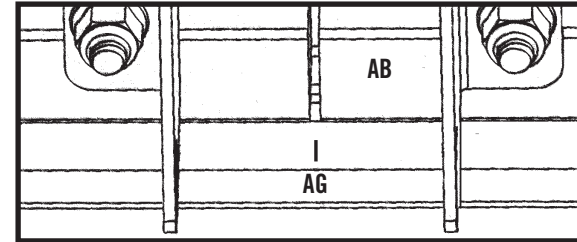
**Attach the Bottom Frame Pad (AG) first.**

**Align the small line in the back of the Bottom Frame Pad with the seam in the Backboard frame.**



Use an electric drill to insert the Screws.

Rear view

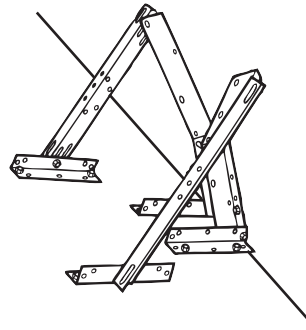


***FROM THIS POINT ON FOLLOW THE INSTRUCTIONS PROVIDED WITH THE POLE OR MOUNTING UNIT.***

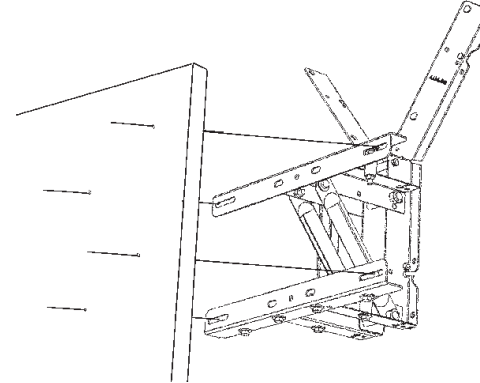
**NOTE: FAILURE TO PROVIDE ADEQUATE SUPPORT BEHIND THE BACKBOARD WILL VOID THE PRODUCT WARRANTY. FOLLOW ALL ASSEMBLY INSTRUCTIONS CAREFULLY.**

**ROOF MOUNT, WALL MOUNT, EXISTING POLE MOUNT**

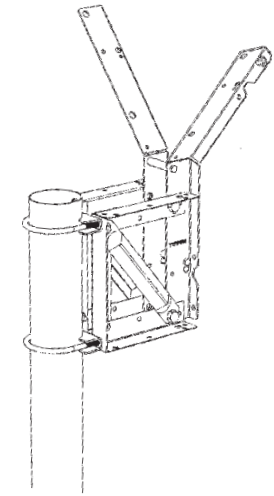
If mounting the Backboard to a roof mount, wall mount or existing pole mount that does not have an extension provided, you must use a Mounting Bracket Kit designed for this purpose. Lifetime Products, Inc.® offers a Universal Extension Bracket, Model #9594, through our Customer Service Department. Figures A, B and C show the Bracket mounted to a roof mount, a wall mount and an existing pole mount. Please see below for ordering information.



**FIGURE A, ROOF MOUNT**



**FIGURE B, WALL MOUNT**



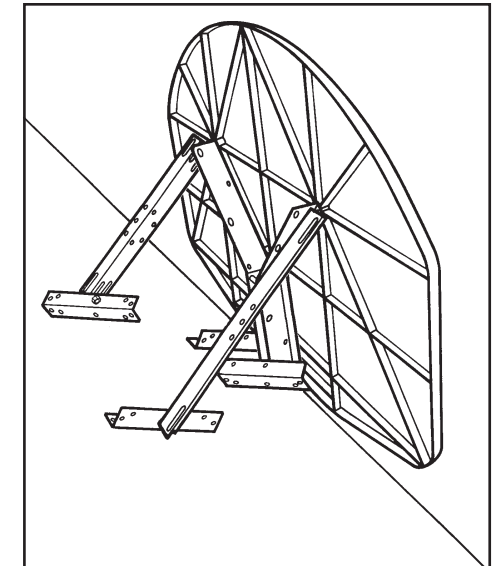
**FIGURE C, EXISTING POLE MOUNT**

**! Mounting Kit Not Included**

**ACCESSORIES AVAILABLE FOR MORE BASKETBALL FUN!**

<b>PRODUCT DESCRIPTION</b>	<b>MODEL #</b>
Universal Extension Bracket	9594
Intermediate Size Basketball	594201

Call the Customer Service Department at the number on Page One for prices and shipping costs.



**Universal Extension Bracket #9594**  
Ideal for mounting Backboard and Rim sets to a pole, wall or roof. (Backboard and Rim not included.)

To place orders, use a Master Card or Visa and call our Customer Service Department or send check or money order to:

**LIFETIME PRODUCTS, INC.**  
**P.O. BOX 160010**  
**BLDG. D-11, FREEPORT CENTER**  
**CLEARFIELD, UT 84016-0010**

# LIFETIME BASKETBALL EQUIPMENT 5-YEAR LIMITED FACTORY WARRANTY

THE MANUFACTURER RESERVES THE RIGHT TO MAKE SUBSTITUTIONS TO WARRANTY CLAIMS IF PARTS ARE UNAVAILABLE OR OBSOLETE.

1. Lifetime basketball systems are warranted to the original purchaser to be free from defects in material or workmanship for a period of five years from the date of original retail purchase. The word "defects" is defined as imperfections that impair the use of the product. Defects resulting from misuse, abuse or negligence will void this warranty. This warranty does not cover defects due to improper installation, alteration or accident. This warranty does not cover damage caused by vandalism, rusting, "acts of nature" or any other event beyond the control of the manufacturer.
2. This warranty is nontransferable and is expressly limited to the repair or replacement of defective basketball equipment. If the equipment is defective within the terms of this warranty, Lifetime Products, Inc. will repair or replace defective parts at no cost to the purchaser. Shipping charges to and from the factory are not covered and are the responsibility of the purchaser. Labor charges and related expenses for removal, installation or replacement of the basketball system or its components are not covered under this warranty.
3. This warranty does not cover scratching or scuffing of the product that may result from normal usage. In addition, defects resulting from intentional damage, negligence, unreasonable use or hanging from the net or rim will void this warranty.
4. Liability for incidental or consequential damages is excluded to the extent permitted by law. While every attempt is made to embody the highest degree of safety in all equipment, freedom from injury cannot be guaranteed. The user assumes all risk of injury resulting from the use of this product. All merchandise is sold on this condition, and no representative of the company may waive or change this policy.
5. This product is not intended for institutional or commercial use; Lifetime Products, Inc. does not assume any liability for such use. Institutional or commercial use will void the warranty.
6. This warranty is expressly in lieu of all other warranties, expressed or implied, including warranties of merchantability or fitness for use. Neither Lifetime Products, Inc., nor any representative assumes any other liability in connection with this product.



**ALL WARRANTY CLAIMS MUST BE ACCOMPANIED BY A SALES RECEIPT.**

**REPORT PRODUCT DEFECTS IN WRITING TO:**

Lifetime Products, Inc., PO Box 160010 Clearfield, UT 84016-0010  
or call (800) 225-3865 M-F 7 a.m. to 5 p.m. MST.

Please include your dated sales receipt and photographs of damaged parts.

**To Register Your Product, Visit Our Website at [www.lifetime.com](http://www.lifetime.com)**