



10/01/2006

VISIT THE LIFETIME WEB SITE:
WWW.LIFETIME.COM

****For U.S. and Canada Customers ONLY:****

IF ASSISTANCE IS NEEDED,

DO NOT CONTACT THE STORE!!!

CALL OUR CUSTOMER SERVICE DEPARTMENT at **1 (800) 225-3865**

HOURS: 7:00 a.m. to 5:00 p.m. Monday through Friday, 7:00 a.m. to 12 noon Saturday (Mountain Standard Time)

Call, or visit our Web site for Saturday hours

Customers outside the U.S. or Canada, please contact the store.

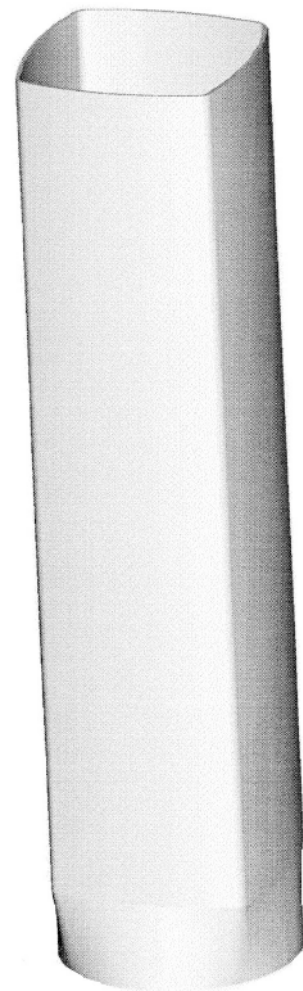
4" SQUARE GROUND SLEEVE

MODEL #0040

ASSEMBLY INSTRUCTIONS
AND OWNER'S MANUAL

WARNING

Failure to comply with any of the warnings in these instructions may result in serious personal injuries such as cuts, broken bones, nerve damage, paralysis, brain injury, or death. Failure to comply may also result in property damage. Please heed all warnings and cautions. To ensure your safety, do not attempt to assemble this system without reading and following all instructions carefully. Identify and inventory the parts using the Parts List.



Save this instruction in the event that the manufacturer has to be contacted for replacement parts.

PARTS LIST

ID	Part #	Description	Qty	✓
A	1018911	Ground Sleeve	1	<input type="checkbox"/>
B	500113	4 1/2" Cap	1	<input type="checkbox"/>
C	CF01700	Pole Cap	1	<input type="checkbox"/>
D	800054	Ground Sleeve Wedge	1	<input type="checkbox"/>
E	500231	3/4" x 6" Tape	1	<input type="checkbox"/>

TOOLS AND MATERIALS REQUIRED FOR ASSEMBLY (Not Included)

1. Concrete mix
(Six 90-lb. bags)
2. Water supply
3. Wheelbarrow
4. Shovel
5. 30" rebar
6. Carpenter's level



WARNING



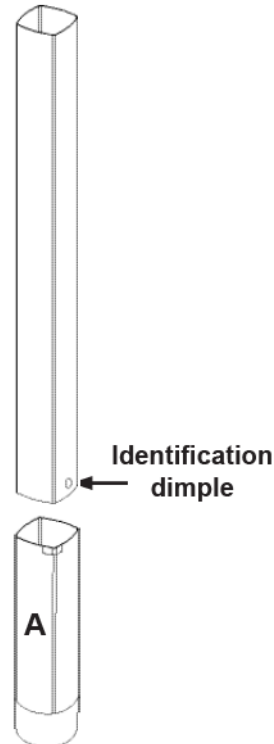
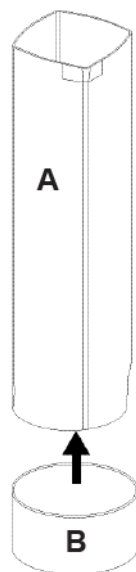
Choose the location of your pole carefully! Avoid putting the pole near overhead power or utility lines. Be sure to contact the appropriate agency to determine the location of any underground utilities before digging.

STEP 1A

NOTE: This Ground Sleeve is for use with inground poles only. Poles are not included with this product. Use the pole from your purchased Lifetime® system.

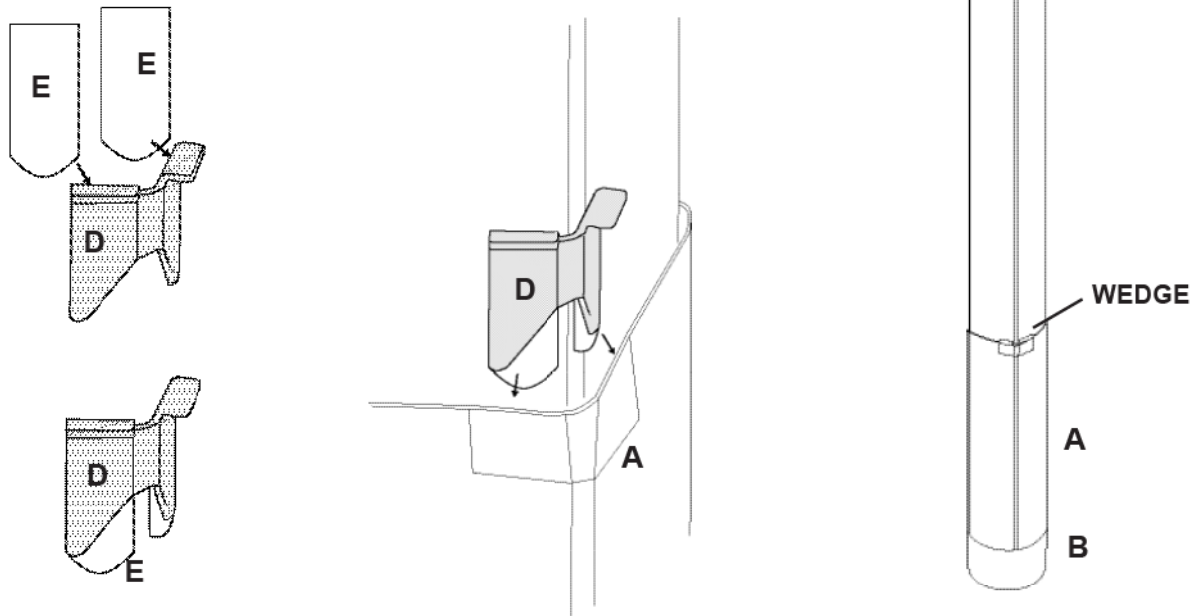
NOTE: If you have a one-piece pole system, your pole will be significantly longer than the poles pictured. If you have a three-piece pole system, use only the Bottom Pole Section.

- a. Slide the round Ground Sleeve Cap (B) over the bottom of the Ground Sleeve (A). You may have to push fairly hard on the Cap to slide it over the end of the Sleeve.
- b. Insert the lower end of the pole (the end with the dimple) into the Ground Sleeve. Make sure the pole fits into the Ground Sleeve and slides all the way to the bottom of the Sleeve.



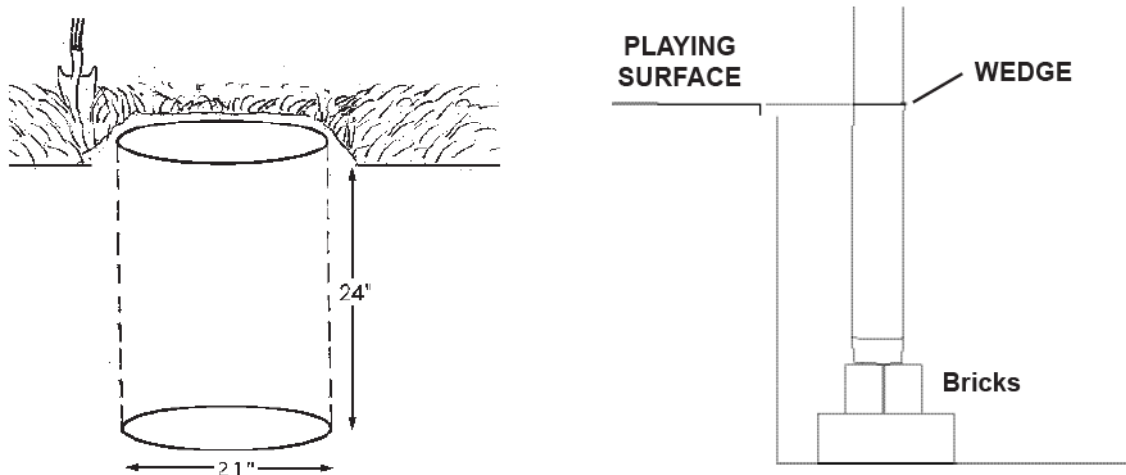
STEP 1B

- Peel off the short piece of the Tape backing and apply the Tape (E) to the inside of the Wedge (D) as shown. Cut the Tape at the top edge of the Wedge, then remove the backing and apply the remainder to the other side of the Wedge. Cut off the excess at the top edge of the Wedge. Make sure the Tape is firmly applied and can not fold backward.
- Insert the Wedge into one corner of the Sleeve and tap it down until it is all the way in. The Wedge helps to stabilize the pole, and must be used whenever the pole is inserted into the Sleeve.



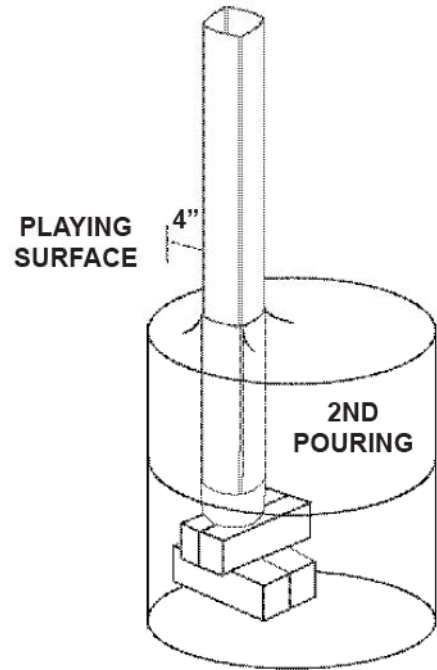
STEP 2

- Dig a hole 24" deep and 21" in diameter. Stack bricks in the bottom of the hole for the ground sleeve to stand on. Stack enough bricks in the hole so that the top of the ground sleeve is even with the top edge of the playing surface. If the ground sleeve is not exactly even with the playing surface, dig the hole deeper or add more bricks as necessary. Position the bricks close to the front edge of the hole, near the playing surface. The correct distance from the basketball court to the front of the pole is 4 inches.
- Mix all 6 bags of concrete, except 1/3 of a bag which will be used later to fill the inside of the bottom pole section.
- Fill the hole **half full** with concrete. Insert the Ground Sleeve and bottom pole section into the cement, making sure the Ground Sleeve rests on the bricks at the bottom of the hole. The correct distance from the basketball court to the front of the pole is 4 inches. The top of the Ground Sleeve should be flush with the basketball court. The bottom of the Sleeve should be resting on the bricks in the bottom of the hole. *The Wedge between the Sleeve and pole section should be at the back side of the pole, away from the playing surface.*



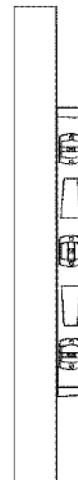
STEP 3

- a. Finish filling the hole with concrete. Make sure the Ground Sleeve is flush with the basketball court and is not sunk into or positioned above the concrete. If the top of the Ground Sleeve is not flush with the playing surface, the system will not be at the regulation height. Do not allow any concrete to cover the top edge of the Ground Sleeve or contact the pole.
- b. Form the concrete into an upward slope, toward the Ground Sleeve. This will allow any water buildup to flow away from the Ground Sleeve. Failure to do so may result in premature rusting of the Ground Sleeve.



STEP 4

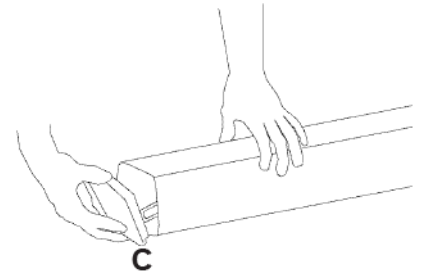
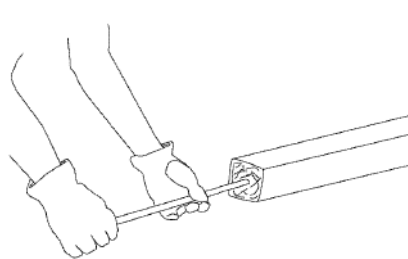
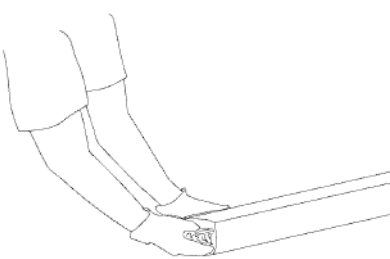
- a. Using a level, check the pole several times within the first hour to make sure all sides are vertical and that the top of the Sleeve is level with the playing surface. Readjust if necessary before the concrete begins to firm.
- b. Allow at least four hours for the concrete to set up before continuing assembly.



STEP 5

FOR ONE-PIECE POLES ONLY:

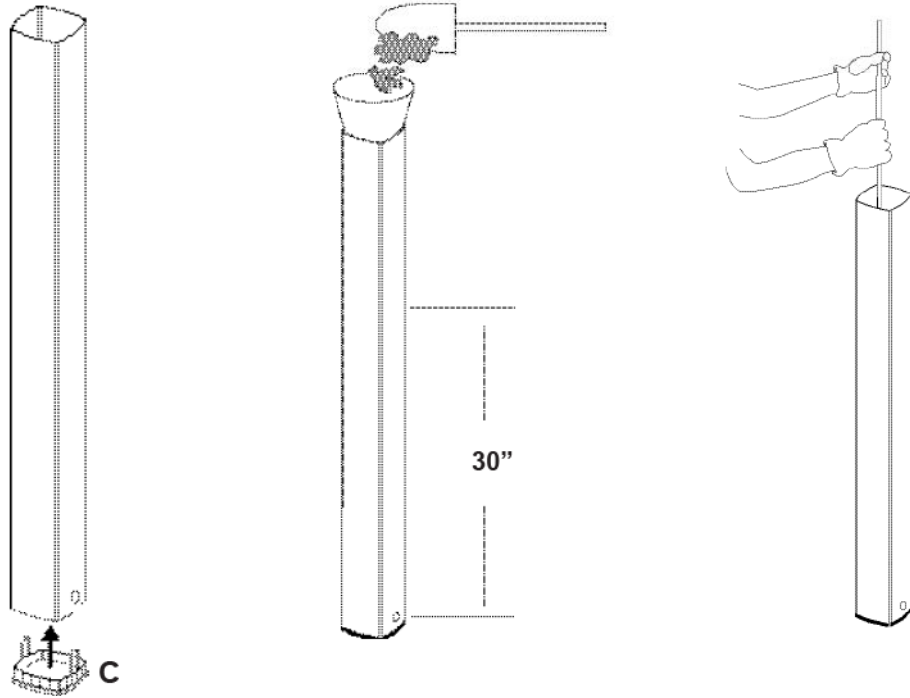
- a. Carefully remove the pole from the Ground Sleeve.
- b. Mix the remaining 1/3 bag of concrete, making sure to keep the concrete dry enough to be handled. Push the concrete into the bottom of the pole so there is enough to fill the bottom 30 inches of the pole.
- c. Insert the 30" rebar into the middle of the pole until the end is flush with the end of the pole.
- d. Bend the tabs on the Pole Cap (C) and insert it into the bottom of the pole. You may need to hold the Cap in place with some tape. Leave the pole standing in an upright position until the concrete sets.
- e. Continue with step 6.



STEP 5

FOR THREE-PIECE POLES ONLY:

- Carefully remove the bottom pole section from the Ground Sleeve.
- Bend the tabs on the Pole Cap (C) and insert it into the bottom of the bottom pole section.
- Mix the remaining 1/3 bag of concrete. Using a funnel, fill the bottom pole section with concrete to a depth of 30". Insert the rebar into the middle of the pole, all the way to the bottom of the pole.
- Leave the pole standing in an upright position until the concrete sets. Be sure to clean off any concrete from the outside of the pole section.
- Continue with step 6.



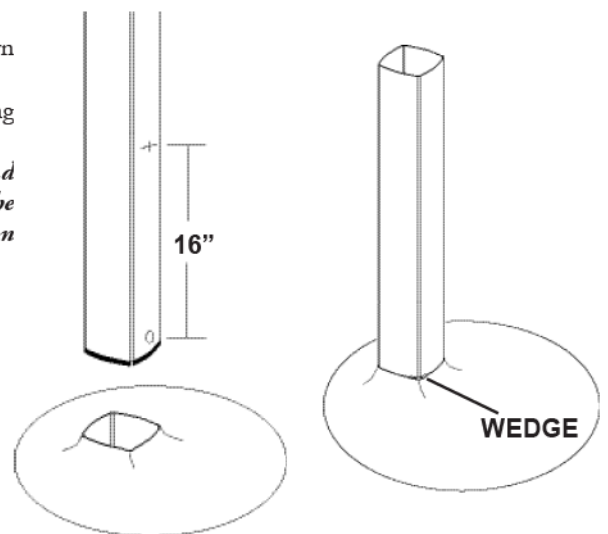
STEP 6

- Make a mark 16" from the bottom edge of the pole and insert the bottom of the pole into the Ground Sleeve.

WARNING: The 16" mark on the pole must reach the upper edge of the Ground Sleeve. If the pole does not go deep enough, check the bottom of the Ground Sleeve for debris or concrete. Clean out the Ground Sleeve and reinstall the pole. If the pole still does not reach the 16" mark, it may also be necessary to remove the cap from the bottom of the pole.

- Insert the Wedge in one of the rear corners of the Sleeve and tap it down until the upper flanges rest against the top edge of the Sleeve.
- Allow the concrete to set for at least 72 hours (3 days) before assembling the basketball system.

NOTE: Make sure that the Wedge is inserted between the Sleeve and pole as described in Step 1 whenever the basketball system is in the Sleeve. The Wedge must be inserted into one of the rear corners, on the side of the pole away from the playing surface.



LIFETIME BASKETBALL EQUIPMENT

5-YEAR LIMITED FACTORY WARRANTY

THE MANUFACTURER RESERVES THE RIGHT TO MAKE SUBSTITUTIONS TO WARRANTY CLAIMS IF PARTS ARE UNAVAILABLE OR OBSOLETE.

1. Lifetime basketball systems are warranted to the original purchaser to be free from defects in material or workmanship for a period of five years from the date of original retail purchase. The word "defects" is defined as imperfections that impair the use of the product. Defects resulting from misuse, abuse or negligence will void this warranty. This warranty does not cover defects due to improper installation, alteration or accident. This warranty does not cover damage caused by vandalism, rusting, "acts of nature" or any other event beyond the control of the manufacturer.
2. This warranty is nontransferable and is expressly limited to the repair or replacement of defective basketball equipment. If the equipment is defective within the terms of this warranty, Lifetime Products, Inc. will repair or replace defective parts at no cost to the purchaser. Shipping charges to and from the factory are not covered and are the responsibility of the purchaser. Labor charges and related expenses for removal, installation or replacement of the basketball system or its components are not covered under this warranty.
3. This warranty does not cover scratching or scuffing of the product that may result from normal usage. In addition, defects resulting from intentional damage, negligence, unreasonable use or hanging from the net or rim will void this warranty.
4. Liability for incidental or consequential damages is excluded to the extent permitted by law. While every attempt is made to embody the highest degree of safety in all equipment, freedom from injury cannot be guaranteed. The user assumes all risk of injury resulting from the use of this product. All merchandise is sold on this condition, and no representative of the company may waive or change this policy.
5. This product is not intended for institutional or commercial use; Lifetime Products, Inc. does not assume any liability for such use. Institutional or commercial use will void the warranty.
6. This warranty is expressly in lieu of all other warranties, expressed or implied, including warranties of merchantability or fitness for use. Neither Lifetime Products, Inc., nor any representative assumes any other liability in connection with this product.

ALL WARRANTY CLAIMS MUST BE ACCOMPANIED BY A SALES RECEIPT.

REPORT PRODUCT DEFECTS IN WRITING TO:
Lifetime Products, Inc., PO Box 160010 Clearfield, UT
84016-0010 or call (800) 225-3865 M-F 8 a.m. to 5 p.m. MST.

Please include your dated sales receipt and photographs of damaged parts.

To register the product, visit our website at www.lifetime.com