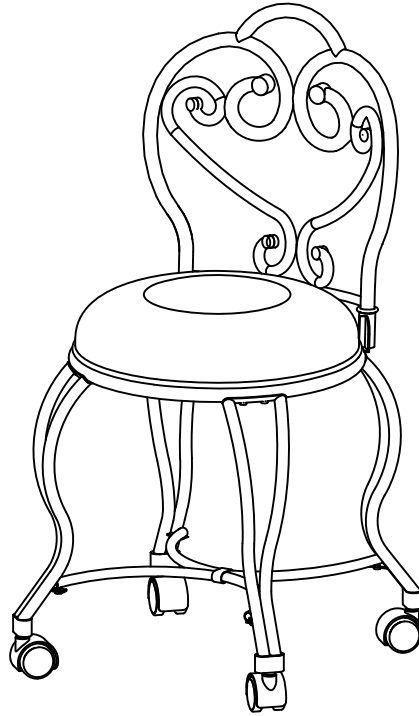


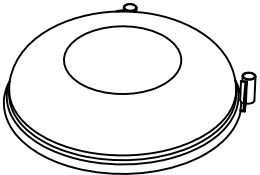
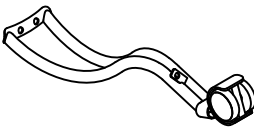
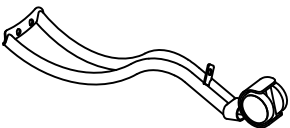
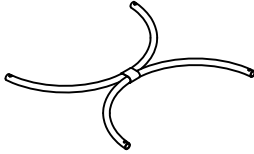
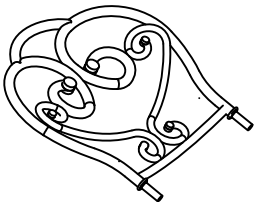
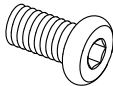
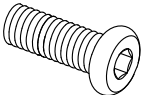



CAROLINA CHAIR & TABLE COMPANY

Assembly Instructions
Item # VS-1734-DS
VANITY CHAIR WITH BACK



Thank you for purchasing a Carolina Chair & Table Company product. This product has been designed for easy assembly and is constructed for durability. Please take the time to read and follow the assembly instructions carefully. If a part or hardware is missing or you have any difficulties in assembling this product, please contact us Toll Free at 1-800-228-3876 or Email at support@carolinachairandtable.com.

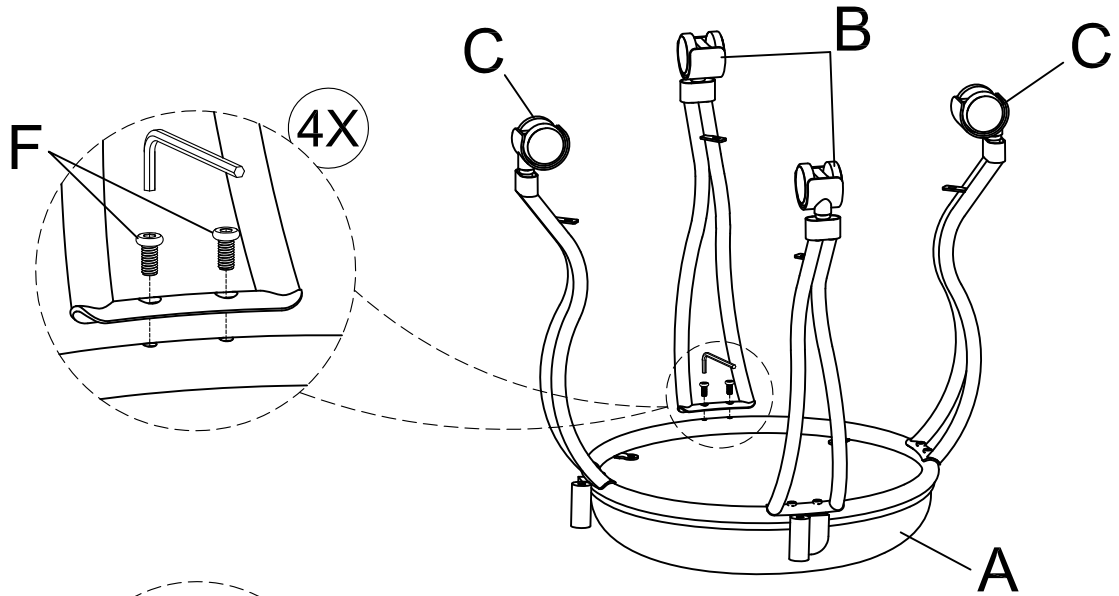
| NO. | PART | DESCRIPTION | Q'TY | NO. | PARTS | DESCRIPTION | Q'TY |
|-----|---|-------------|------|-----|--|--------------------------------|-------------------|
| A |  | Seat | 1PC | B |  | L-Leg | 2PCS |
| C |  | R-Leg | 2PCS | D |  | Foot Rest | 1PC |
| E |  | Back | 1PC | F |  | Allen Head Bolt 1/4" x 1/2" | 12PCS +1 EXTRA |
| | | | | G |  | Allen Head Bolt 1/4" x 1" | 2PCS |
| | | | | H |  | Allen Head Wrench 4MM | 1PC |



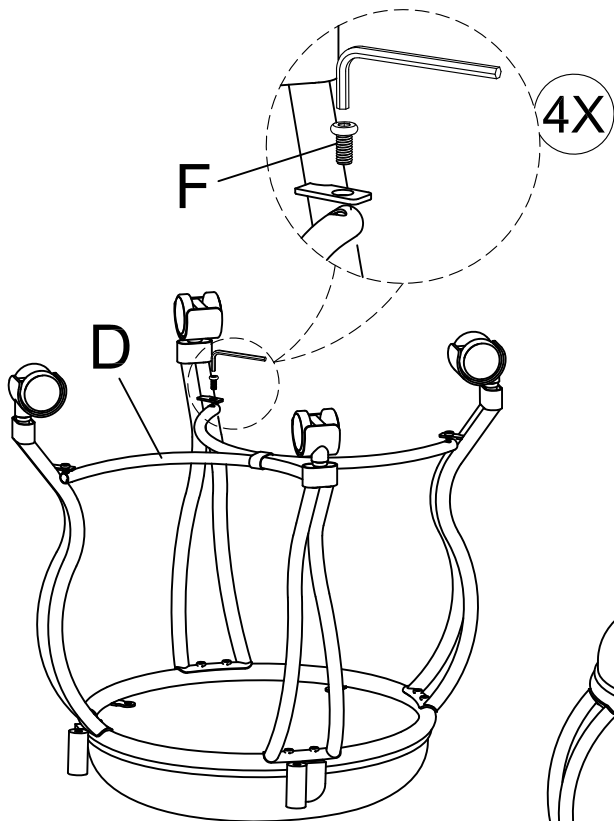
CAROLINA CHAIR & TABLE COMPANY

Assembly Instructions
Item # VS-1734-DS
VANITY CHAIR WITH BACK

STEP 1



STEP 2



STEP 3

