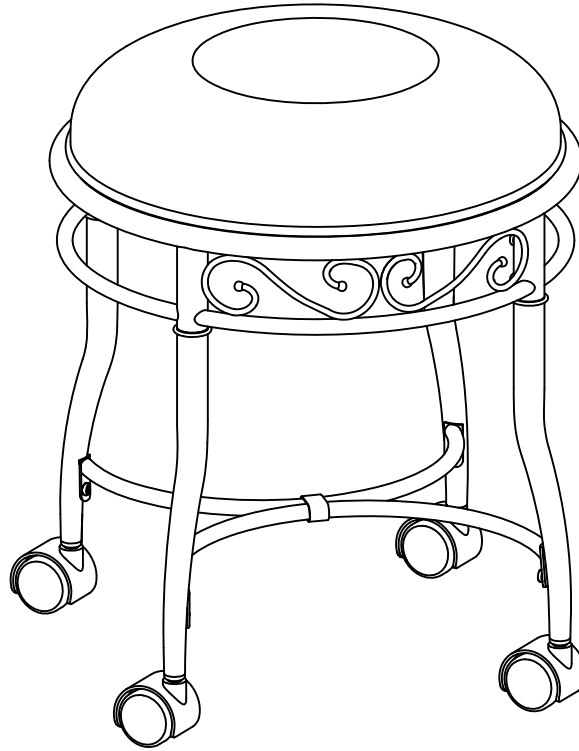


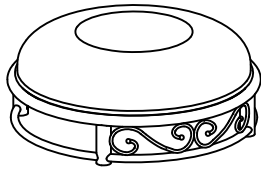
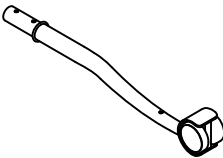
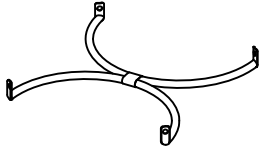
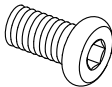



CAROLINA CHAIR & TABLE COMPANY

Assembly Instructions
Item # VS-1719-DS
VANITY CHAIR WITHOUT BACK



Thank you for purchasing a Carolina Chair & Table Company product. This product has been designed for easy assembly and is constructed for durability. Please take the time to read and follow the assembly instructions carefully. If a part or hardware is missing or you have any difficulties in assembling this product, please contact us Toll Free at 1-800-228-3876 or Email at support@carolinachairandtable.com.

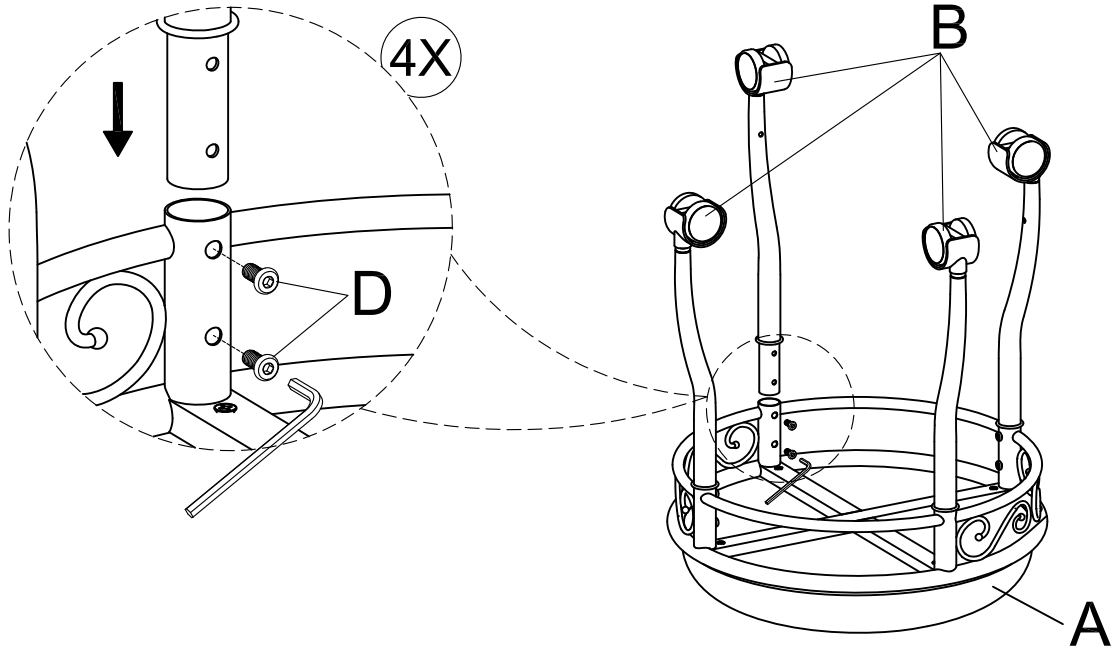
NO.	PART	DESCRIPTION	Q'TY	NO.	PARTS	DESCRIPTION	Q'TY
A		Seat	1PC	B		Leg	4PCS
C		Foot Rest	1PC	D		Allen Head Bolt 1/4" x 1/2"	12PCS +1 EXTRA
				E		Allen Head Wrench 4MM	1PC



CAROLINA CHAIR & TABLE COMPANY

Assembly Instructions
Item # VS-1719-DS
VANITY CHAIR WITHOUT BACK

STEP 1



STEP 2

