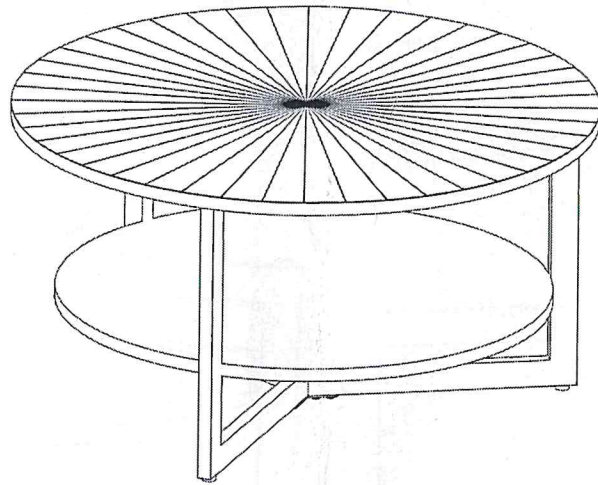


# CAROLINA CHAIR & TABLE


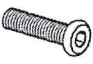


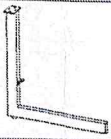
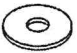


## Assembly Instructions

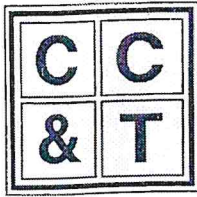
Item # CT3318 SH

Coffee Table



Thank you for purchasing a Carolina Chair & Table company product. This product has been designed for easy assembly and is constructed for durability. Please take the time to read and follow the assembly instructions carefully. If a part or hardware is missing or you have any difficulties in assembling this product, please contact us Toll Free 1-800-228-3876 or Email at [support@carolinachairandtable.com](mailto:support@carolinachairandtable.com)

NO.	PART	DESCRIPTION	Q'TY	NO.	PART	DESCRIPTION	Q'TY
A		Top	1PC	E		JBC Bolt Ø6x16	15PCS
B		Shelves	1PC	F		Spring Washer Ø6 MM	9PCS
C		Leg	3PC	G		Flat Washer Ø6x16 MM	15PCS
D		Leg Joint Support	1PC	H		Allen Head Wrench 4MM	1PC



# CAROLINA CHAIR & TABLE

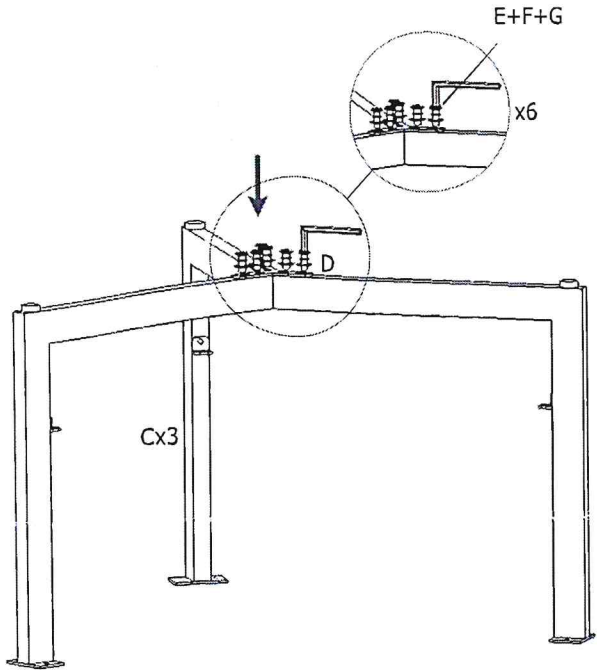
PLEASE NOTE:- DO NOT TIGHTEN SCREW COMPLETELY UNTIL PRODUCT IS FULLY ASSEMBLED  
IMAGES ARE FOR REPRESENTATION PURPOSE ONLY

## Assembly Instructions

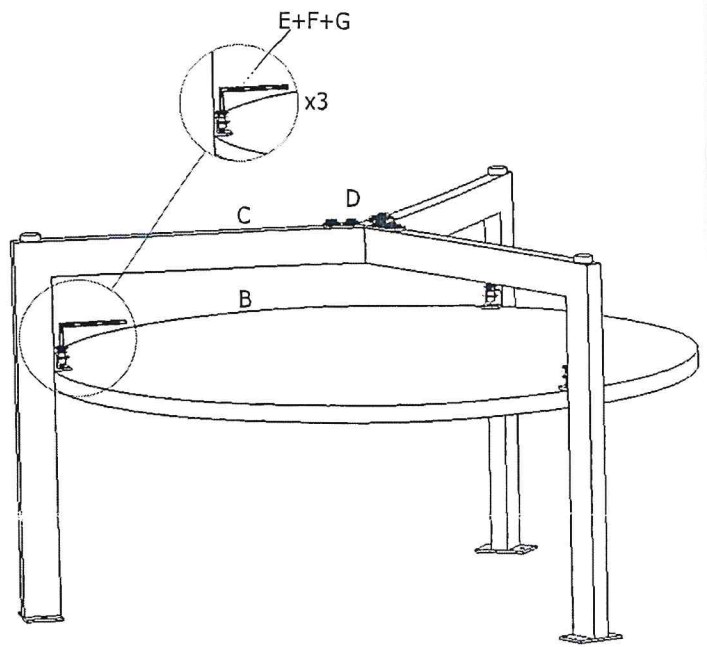
Item # CT3318 SH

Coffee Table

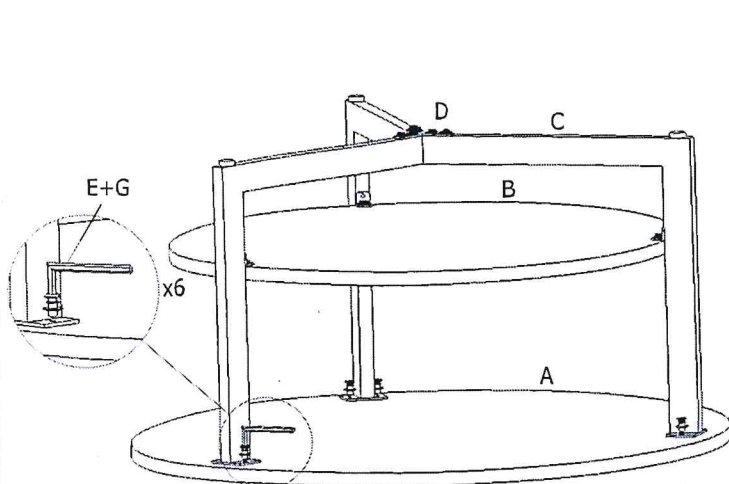
### STEP 1



### STEP 2



### STEP 3



### STEP 4

