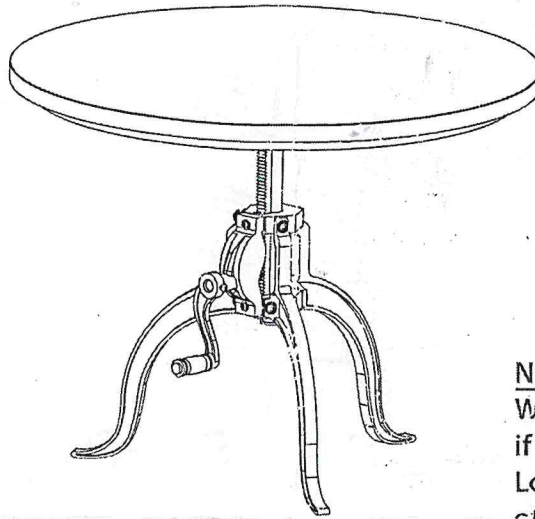


# CAROLINA FORGE

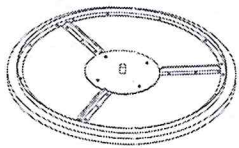

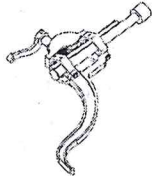



Assembly Instructions  
 Item # CT-3018-JT  
 COFFEE TABLE WITH ADJUSTABLE  
 CRANK BASE

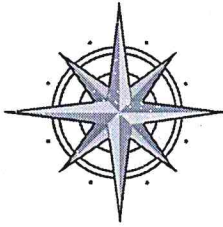


**NOTE:**  
 When attaching leg in Step 1  
 if the holes do not line up,  
 Loosen the top bolt of the  
 other 1 leg , adjust middle  
 hexagonal piece and then  
 retighten top bolts.  
 \*Do not completely remove  
 bolt of other 1 leg\*



Thank you for purchasing a Carolina Forge Company product. This product has been designed for easy assembly and is constructed for durability. Please take the time to read and follow the assembly instructions carefully. If a part or hardware is missing or you have any difficulties in assembling this product, please contact us Toll Free 1-800-228-3876.

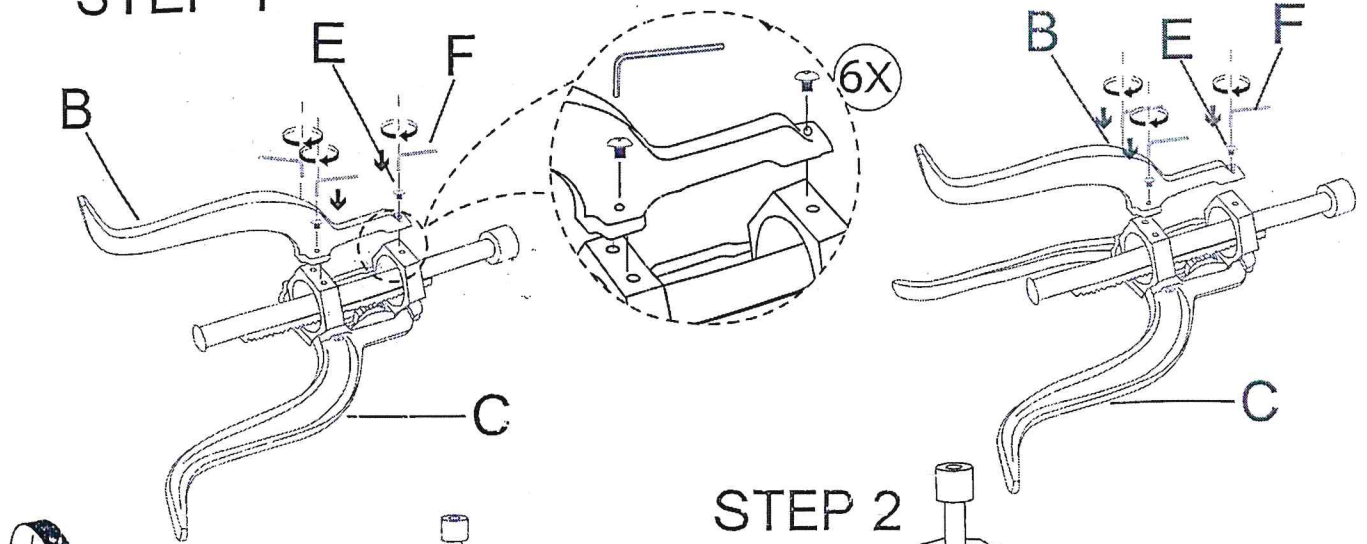
NO.	PART	DESCRIPTION	Q'TY	NO.	PARTS	DESCRIPTION	Q'TY
A		Top	1PC	B		Leg	2PC
C		Base	1PC	D		Handle	1PC
E		Allen Head Bolt 8mm 20mm	6PCS	F		Allen Head Wrench 5mm	1PC



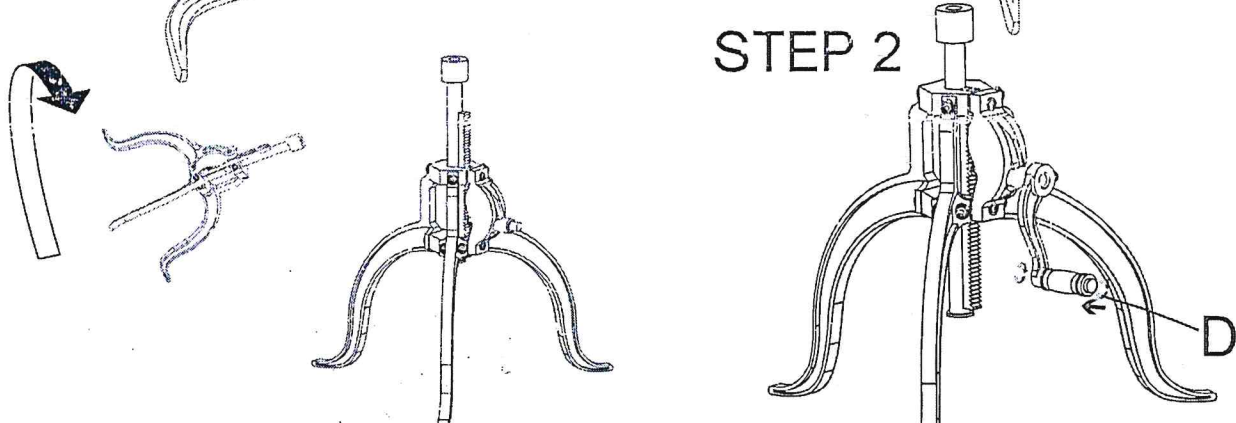
# CAROLINA FORGE

Assembly Instructions  
Item # CT-3018-JT  
COFFEE TABLE WITH ADJUSTABLE  
CRANK BASE

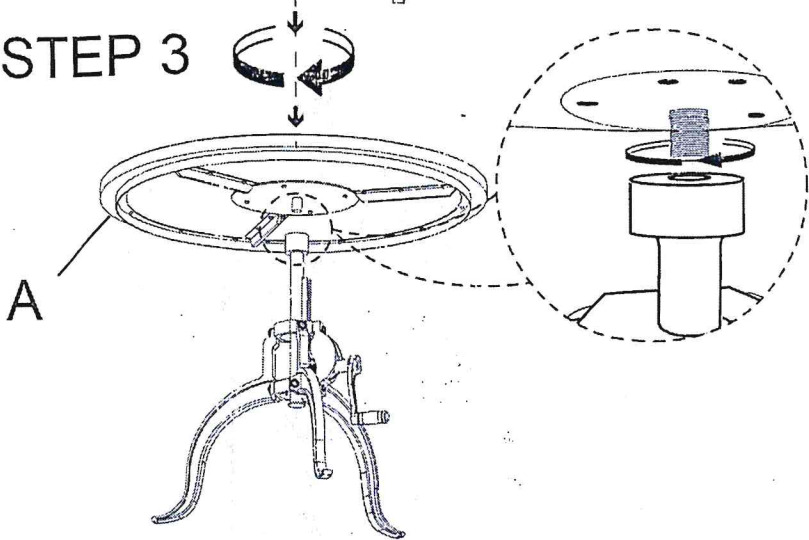
## STEP 1



## STEP 2



## STEP 3



## STEP 4

