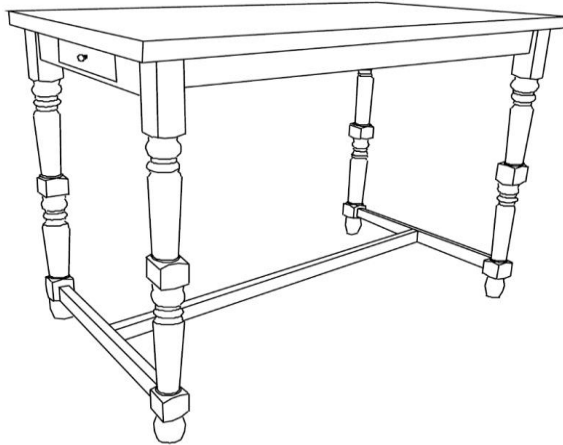


CAROLINA CHAIR & TABLE COMPANY

Assembly Instructions

ITEM : BT - 5436 - DR



Thank you for purchasing Carolina Chair & Table Company product. This product has been designed for easy assembly and is constructed for durability. Please take this time to read and follow the assembly instruction carefully. If a part or hardware is missing or you have any difficulties in assembling this product , please contact us Toll Free at 1-800-228-3876 or email at support@carolinachairandtable.com.

IMPORTANT NOTE:

*Place all wooden parts on a clean and smooth surface such as a rug or carpet to avoid the parts from being scratched. Check to be sure that you have all parts and hardware. Remove all wrapping materials including staples & packing straps before you start to assemble.

*Keep all hardware parts out of reach of children.

*DO NOT TIGHTEN BOLTS/SCREWS UNTIL ALL COMPLETELY ASSEMBLED.

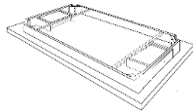
CARE AND MAINTENANCE !

*The touch of a soft cloth is all the maintenance your wood pieces will ever need. Never use harsh chemicals or abrasive cleaners, as they could mark or destroy finish .

MADE IN MALAYSIA

PARTS LIST :

P1 TABLE TOP with Drawers 1 PCS



P2 TABLE LEGS 4PCS



P3 LONG STRETCHERS 1 PCS



P4 SIDE STRETCHERS 2 PCS



HARDWARE LIST :

H1 M8 x 60mm JCBC SCREW 8PCS



H2 SPRING WASHER 8 PCS



H3 FLAT WASHER 8 PCS



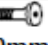


H4 M4 x 38mm SCREW 6 PCS



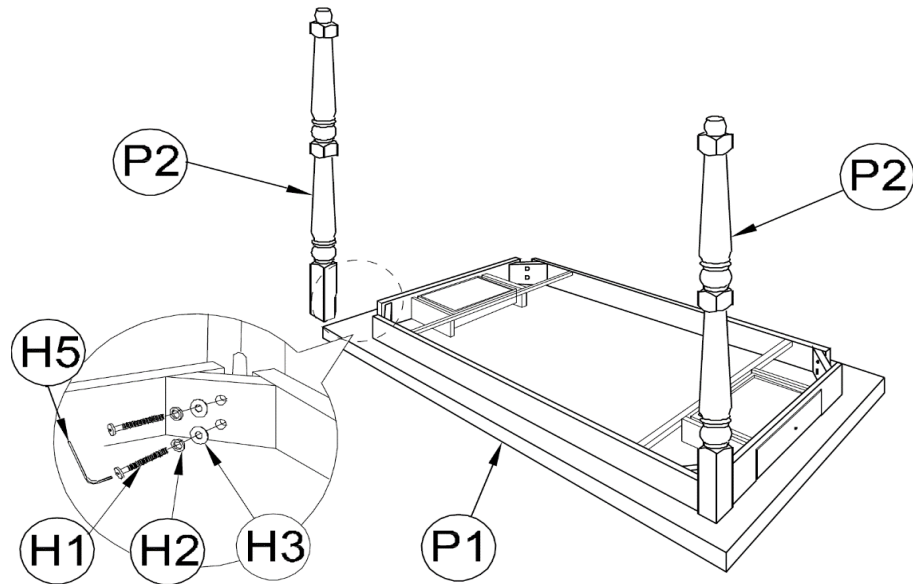
H5 ALLEN KEY 1 PC




STEP 1

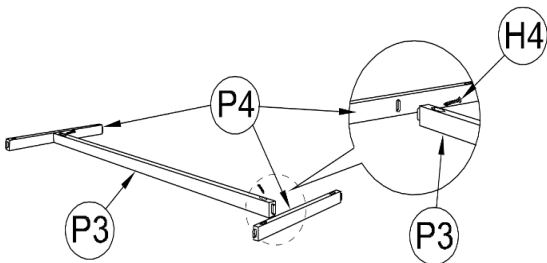
H1 x 8	
M8 x 60mm	
H2 x 8	
H3 x 8	

Insert Screw (H1) fitted with Spring Washer (H2) and Flat Washer (H3) through each hole on the corner block into screw hole on (P2). Use Allen Key (H5) to drive (H1) to fasten (P2) to corner block. Do not tighten (H1) completely until all screws are in place on each leg. Do not over-tighten.



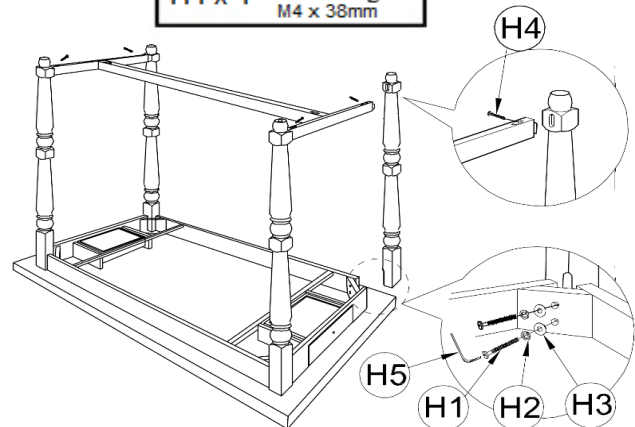
STEP 2

H4 x 2	
M4 x 38mm	



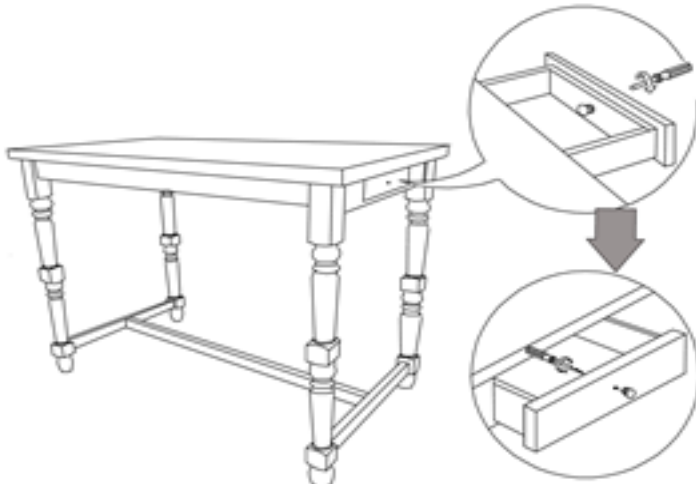
STEP 3

H4 x 4	
M4 x 38mm	



STEP 4

Put the table upright, and pull-out both drawers to remove the knobs by unscrew it, then ...



.....re-install the knobs at the correct position

CAUTION! REQUIRES TWO ADULTS TO TURN THE TABLE UPRIGHT AFTER FINISHED ASSEMBLY IT.