

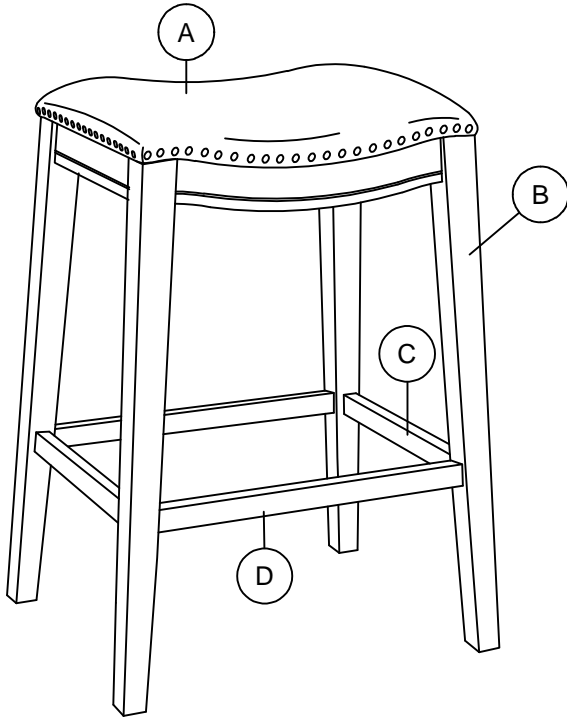


# CAROLINA CHAIR & TABLE COMPANY

Thank you for purchasing Carolina Chair & Table Company product. This product has been designed for easy assembly and is constructed for durability. Please take this time to read and follow the assembly instruction carefully. If a part or hardware is missing or you have any difficulties in assembling this product, please contact us Toll-Free at 1-800-228-3876 or email at [support@carolinachairandtable.com](mailto:support@carolinachairandtable.com).

## ASSEMBLY INSTRUCTION

#BS-1824 - UPHOLSTERED SADDLE SEAT STOOL  
#BS-1830 - UPHOLSTERED SADDLE SEAT STOOL

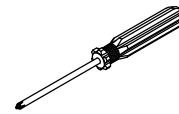


## PARTS CHECK LIST

| CODE | COMPONENTS      | Q'TY  |
|------|-----------------|-------|
| (A)  | STOOL SEAT      | 1 PC  |
| (B)  | LEG             | 4 PCS |
| (C)  | SHORT STRETCHER | 2 PCS |
| (D)  | LONG STRETCHER  | 2 PCS |

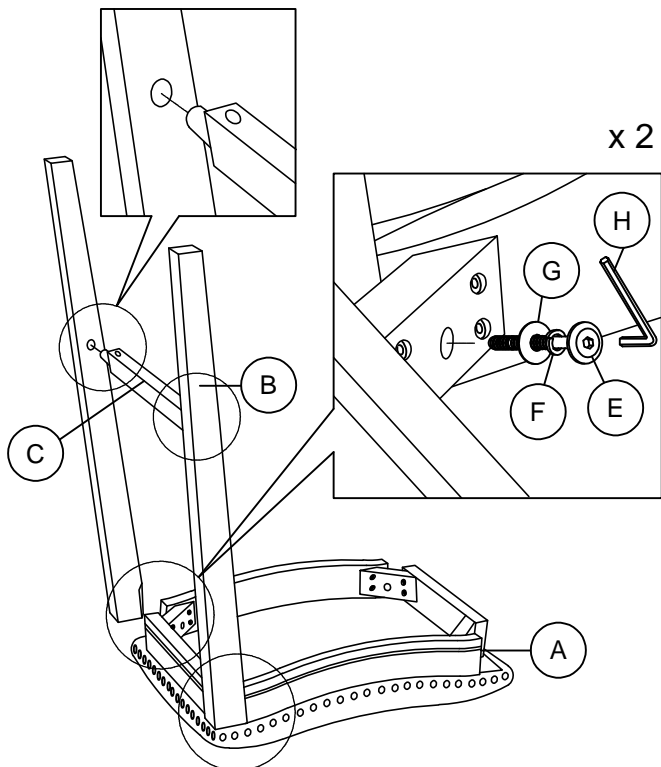
## PARTS CHECK LIST

| CODE | DESCRIPTION             | Q'TY  |
|------|-------------------------|-------|
| (E)  | JCBC SCREW M6 x 50MM    | 4 PCS |
| (F)  | SPRING WASHER 1/4" x 13 | 4 PCS |
| (G)  | FLAT WASHER M6 x 19MM   | 4 PCS |
| (H)  | ALLEN KEY M4 x 100MM    | 1 PC  |
| (I)  | PH SCREW M4 x 38MM      | 8 PCS |

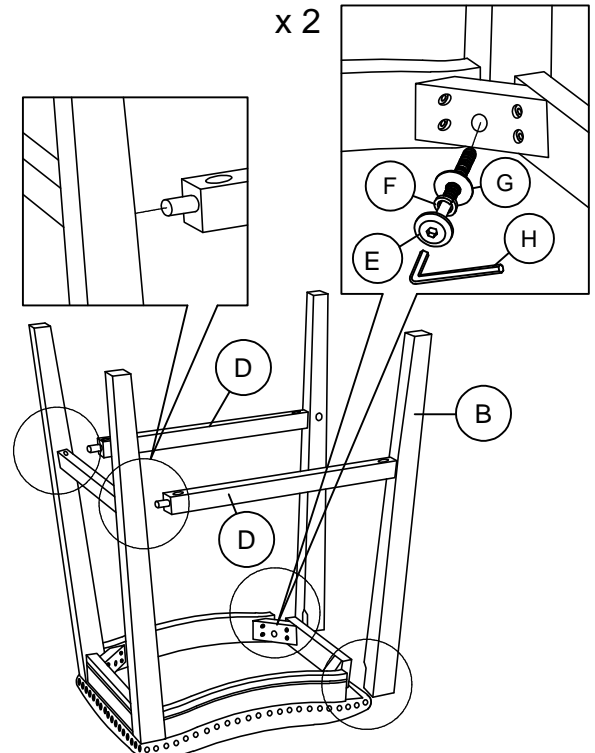


**PHILLIPS HEAD SCREWDRIVER  
TOOL NEEDED ( NOT INCLUDED )**

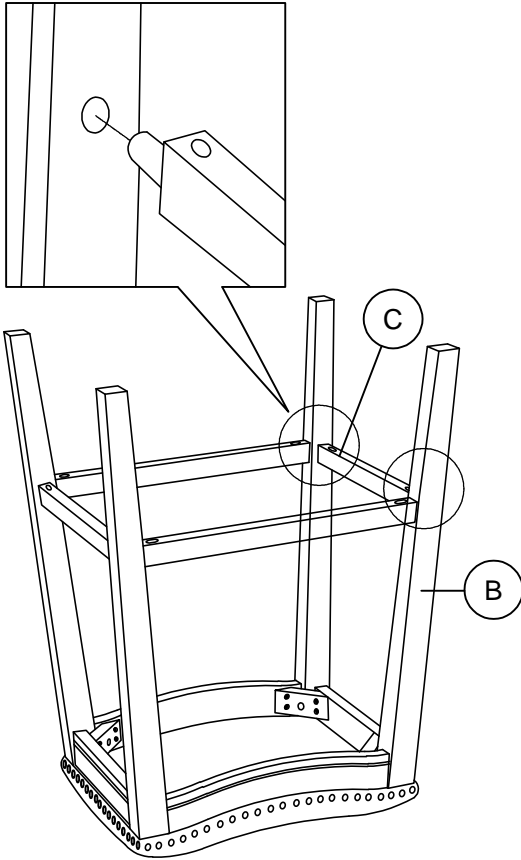
**1.** Insert Short Stretcher (C) into Leg (B) as illustration below.  
Note: The Short Stretcher must face the top.  
**DO NOT FULLY TIGHTEN UNTIL FULLY SET UP.**



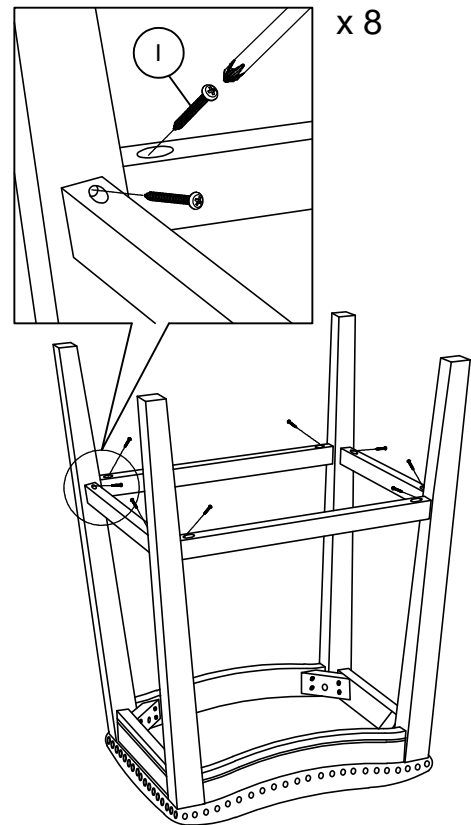
**2.** Insert Long Stretcher (D) into Leg (B) as illustration below.  
Note: The Long Stretcher must face the top.  
**DO NOT FULLY TIGHTEN UNTIL FULLY SET UP.**



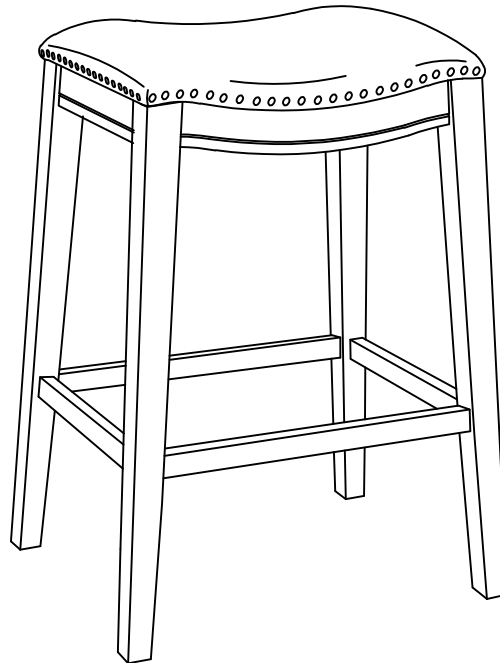
3. Place the Short Stretcher (C) together with Leg (B) as illustration shown.



4. Use PH Screw (I) and tighten with Phillips head screwdriver.  
**TIGHTEN ALL THE BOLD & SCREW AFTER FULLY SET UP.**



5.



### CARE AND MAINTENANCE

Thank you for your purchase. Our items are intended for residential use only.

To clean and maintain your furniture we recommend dry dust with a soft clean cloth.

Do not use harsh chemicals to clean your furniture as this could damage the protective top coat and/or finish.

Bolts, screws, and nuts may loosen during everyday use. They should be periodically inspected and re-tightened.

Always visually check that all hardware on the list is attached and kept tightened.