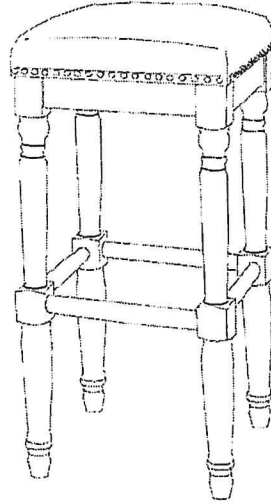


CAROLINA CHAIR & TABLE COMPANY

Assembly Instructions

ITEM : BS - 1626 - UN



Thank you for purchasing Carolina Chair & Table Company product. This product has been designed for easy assembly and is constructed for durability. Please take this time to read and follow the assembly instruction carefully. If a part or hardware is missing or you have any difficulties in assembling this product , please contact us Toll Free at 1-800-228-3876 or email at support@carolinachairandtable.com.

IMPORTANT NOTE:

*Place all wooden parts on a clean and smooth surface such as a rug or carpet to avoid the parts from being scratched. Check to be sure that you have all parts and hardware. Remove all wrapping materials including staples & packing straps before you start to assemble.

*Keep all hardware parts out of reach of children.

*DO NOT TIGHTEN BOLTS/SCREWS UNTIL ALL COMPLETELY ASSEMBLED.

CARE AND MAINTENANCE I


*The touch of a soft cloth is all the maintenance your wood pieces will ever need. Never use harsh chemicals or abrasive cleaners, as they could mark or destroy finish .

MADE IN MALAYSIA

PARTS LIST (FOR 2 NOS. OF CHAIR):

P1 CUSHION SEAT with APRON  2 PCS

P2 LEGS  8 PCS

P3 STRETCHERS  8 PCS

HARDWARE LIST (FOR 2 NOS. OF CHAIR):

H1 M6 x 60mm JCBC SCREW  16 PCS


H2 SPRING WASHER  16 PCS

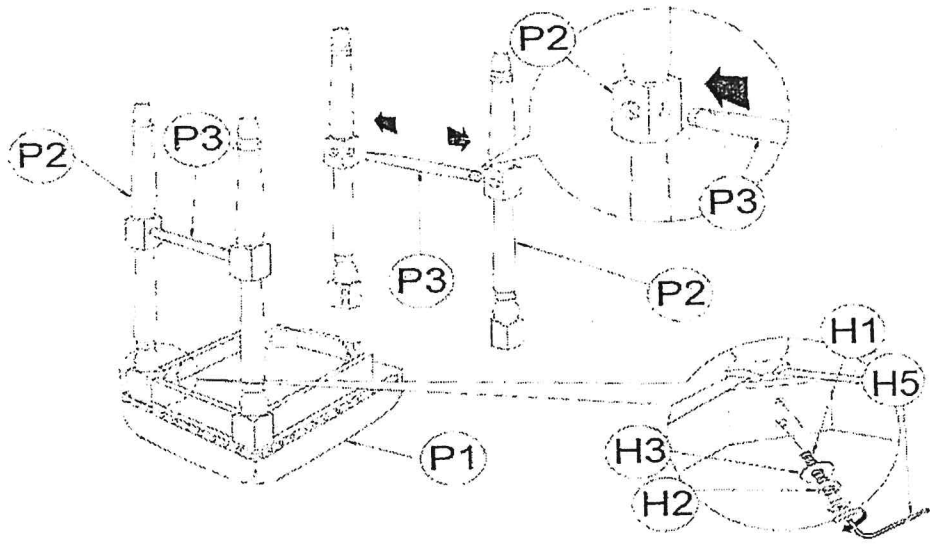
H3 FLAT WASHER  16 PCS

H4 CSK SCREW M4 x 32mm  16 PCS

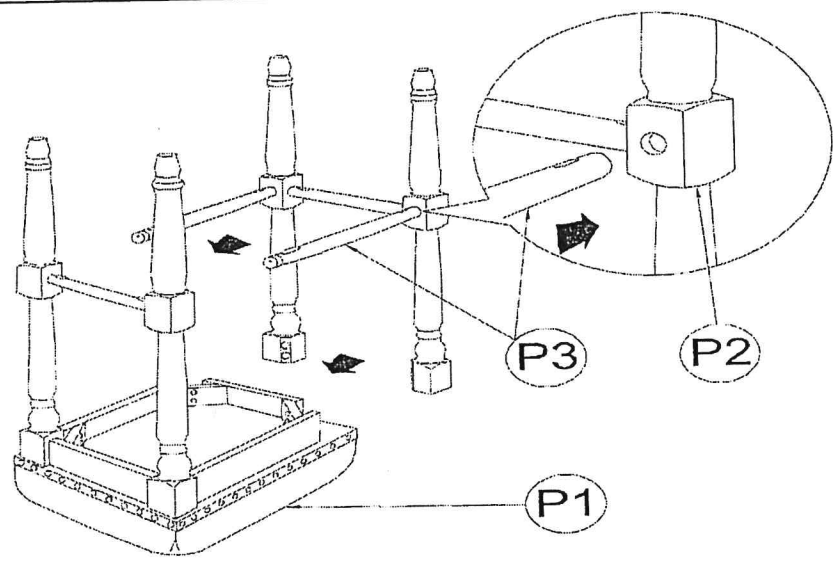
H5 ALLEN KEY  1 PC

STEP 1

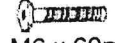
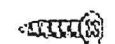
- H1 X 4  M6 x 60mm
- H2 X 4
- H3 X 4



STEP 2



STEP 3

- H1 X 4  M6 x 60mm
- H4 X 8  M4x32mm
- H2 X 4
- H3 X 4

