

OPERATIONAL SAFETY AND ASSEMBLY INSTRUCTIONS



WARNING!

READ ALL INSTRUCTIONS, WARNINGS IN THIS MANUAL AND LABELS ON THE PRODUCT BEFORE USING STILTS. IT IS YOUR RESPONSIBILITY TO READ, UNDERSTAND AND FOLLOW THESE INSTRUCTIONS.

This manual gives imperative information on appropriate operations and maintenance. Each exertion has been made to guarantee the precision of this manual. These guidelines are not intended to cover each conceivable condition and circumstance that may happen. We reserve the right to change this product at any time without prior notice.

IT IS VITAL THAT STILTS BE ASSEMBLED PROPERLY AND ADJUSTED ACCORDING TO PERSONAL SIZE AND PREFERENCE. ADDITIONALLY, IT IS CRITICAL TO PROPERLY KEEP UP THE GOOD CONDITION OF YOUR STILTS AND TO FULLY EXAMINE YOUR STILTS BEFORE EVERY USE, ENSURING ALL FASTENERS; BOLTS, NUTS, WING NUTS AND SCREWS ARE TIGHT. IT IS YOUR RESPONSIBILITY TO READ, UNDERSTAND AND FOLLOW THESE INSTRUCTIONS, AND TO ALWAYS PRACTICE CAUTION UTILIZING STILTS. STILTS OUGHT TO BE USED ONLY IF WORKING ON A LEVEL FLOOR, CLEAR OF ANY OBSTRUCTIONS OR DEBRIS.

IF THERE'S ANY QUESTION ABOUT CONDITIONS BEING SAFE OR UNSAFE, DON'T USE THIS PRODUCT!

THE STILTS ARE FOR PROFESSIONAL USE ONLY!

WE WILL NOT BE HELD RESPONSIBLE FOR ANY ACCIDENT RESULTING FROM IMPROPER USE, IRRESPONSIBLE USE, OR FAILURE TO INSPECT AND ADEQUATELY MAINTAIN ACCORDINGLY. THIS IS THE SOLE RESPONSIBILITY OF THE USER.

BROKEN OR MISSING PARTS?

DO NOT RETURN THE PRODUCT TO THE RETAILER FROM WHICH IT WAS PURCHASED - PLEASE CONTACT OUR CONSUMER SERVICE DEPARTMENT.

If you experience a problem, have any questions concerning the assembly or use of this product or need replacement parts, please contact our customer service:

1 800 363-7587 / 450-681-6440 / CS@METALTECH.CO

Picture may differ from actual product

1 YEAR
WARRANTY

ENGLISH

FRANÇAIS

ESPAÑOL

OPERATIONAL SAFETY



READ BEFORE BEGINNING ASSEMBLY.

**FAILURE TO UNDERSTAND AND FOLLOW ALL SAFETY RULES AND ASSEMBLY INSTRUCTIONS
COULD RESULT IN SERIOUS INJURY OR DEATH.**



METAL CONDUCTS ELECTRICITY:

Do not use this equipment where contact may be made with power lines or other live electrical circuits.



DO NOT OVERLOAD:

These stilts are designed to support a maximum load of 225 lb (102 kg).



OPERATION AND SAFETY

1. The operator must read and understand all instructions before using.
2. Do not use this equipment if you are in poor health, taking medications, drugs, or have been consuming alcohol, all of which may impair your ability to work safely on this product.
3. Always use these stilts in conformity with local or national legislation which applies.
4. Inspect before use. Do not use if damaged or parts are missing. Replace any damaged or excessively worn components before using the stilts. Stilts must be maintained and cleaned daily.
5. Stilts must not be modified. Never make temporary repairs of damaged or missing parts.
6. Examine thoroughly to make sure stilts are properly set up.
7. Stilts must be assembled and adjusted properly following this manual.
8. Fasten the calf strap first when putting on stilts.
9. Keep all strap tightness comfortable, always fastened and secure. Over-tightening can cause loss of circulation and numbness in legs.
10. Do not wear stilts without having had pertinent instruction on how to wear and use them. Make sure stilts are comfortable and adjusted properly. Practice using Stilts with a handhold or wall close-by to break or prevent falls.
11. Stilts must be removed to make adjustments.
12. Work area must be free of debris, clear of any obstructions and level.
13. Only use on a hard surface and level floor.
14. Always be careful when working around furniture, fixtures, pipes, rails and grates.
15. Never work close to open stairs, doors, windows, floor openings or other hazards.
16. Always cover or block floor openings, staircases and drop-offs.
17. Avoid walking on oily, wet or otherwise slippery surfaces.
18. Always think about safety and use extreme care when using stilts.
19. Always look ahead before you step. Always warn fellow workers of your movements.
20. Take short, firm steps, making sure that the Stilts is raised clear of the floor at each step. Do not drag Stilts as you move or walk.
21. Avoid working over other workers or their equipment while on Stilts.
22. Walk forward only. Never walk backwards. Make a "U-turn" to change direction.
23. Never walk on raised surfaces, for example, planks, scaffolding, ladders or stand on benches or stools, etc.
24. Do not climb or descend stairway while wearing Stilts.
25. Ask for other workers assistance when retrieving objects from the floor.
26. Disconnect upper leg strap last when removing Stilts.
27. This product is not intended or designed for entertainment purposes.

RULES FOR USE AND NON-USE OF STILTS

✔ STILTS SHOULD ONLY BE USED FOR LIGHT DUTY TASKS SUCH AS:

- ✔ placing of insulation batts;
- ✔ installing furring channels;
- ✔ screwing sheets to furring channels, trusses, underside of floor joists and walls;
- ✔ patching, touching up and stopping of joints using a trowel;
- ✔ fixing cornices; and
- ✔ minor hand sanding.

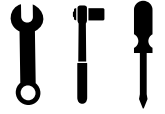
✘ STILTS SHOULD NOT BE USED WHEN:

- ✘ the work site is not “Plaster Ready”;
- ✘ observing or experiencing fatigue;
- ✘ they are poorly maintained;
- ✘ lifting or supporting plaster sheets;
- ✘ handling long, heavy or cumbersome objects or items, such as decorative cornices;
- ✘ employees have not been properly trained in their use;
- ✘ walking on stairs;
- ✘ the floor level is not solid, changes height or slopes;
- ✘ stepping into or over baths or other obstructions;
- ✘ placed on a non-floor surface (such as tables, trestles, etc.);
- ✘ the springs are fully compressed (caused when lifting heavy objects or exerting high upward force, such as drilling through overhead structures);
- ✘ picking up items from below knee level;
- ✘ standing on void covers that bend from the weight;
- ✘ using inappropriate equipment such as trowel boxes, tools with power leads or hoses;
- ✘ there is an absence of a suitable mounting / dismounting platform;
- ✘ the ceiling height is greater than 10 feet (3 m); or
- ✘ the task requires frequent bending of the torso or over-reaching.

STILTS ASSEMBLY

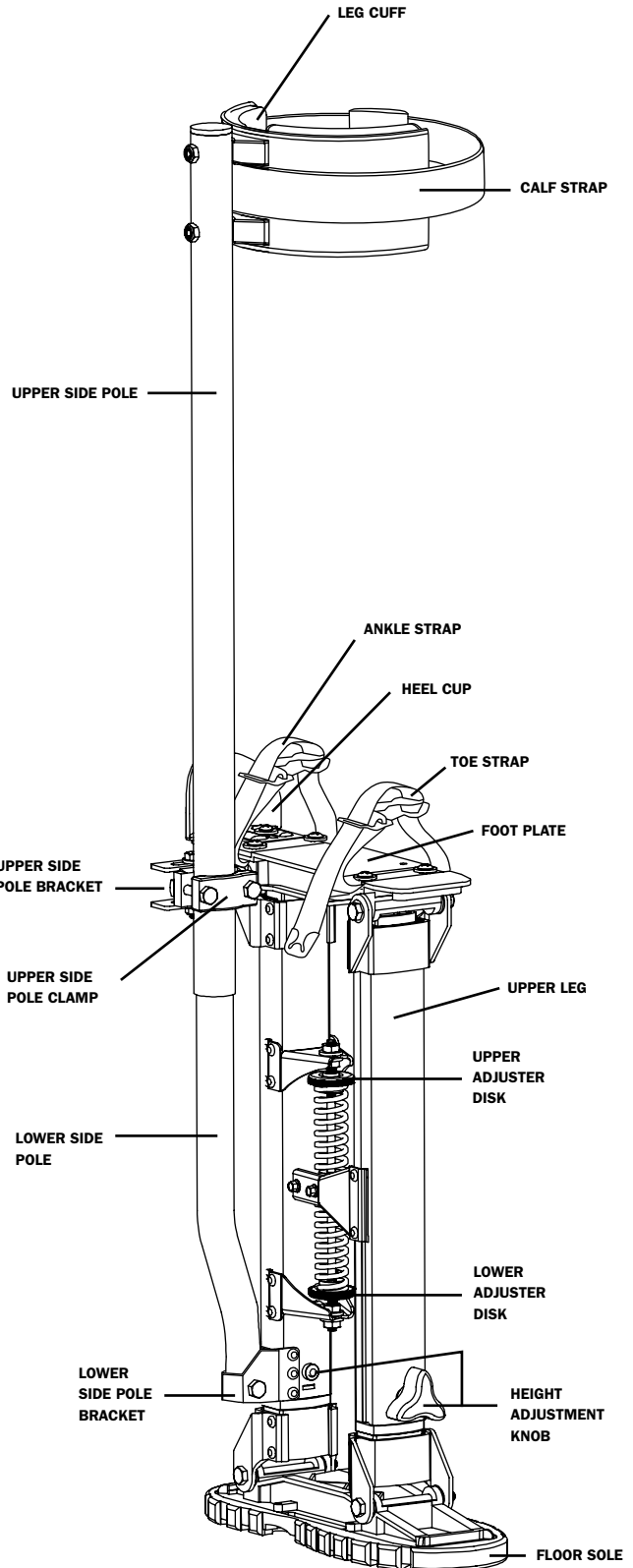
TOOLS NEEDED:

- 7/16" Wrench
- 7/16" Socket and Ratchet
- #2 Phillips Screwdriver



SIDE POLES ASSEMBLY

1. Loosen Upper Side Pole Clamp bolt.
2. Loosen Lower Side Pole Bracket and remove bolt Side Pole.
3. Insert Lower Side Pole through the Upper Side Pole Bracket, then insert it into the Lower Side Pole Bracket. Lining Pole Clamp up the hole, carefully reinsert the bolt with washer through both the bracket and pole. Add the second washer and tighten the nut. Lift the pole to make sure it is attached properly.
4. Slide the Upper Side Pole over the Lower Side Pole and through the Upper Side Pole Clamp. Tighten the bolt so the pole will not fall but can be moved and twisted.



HEEL CUP ASSEMBLY AND ADJUSTING

1. Install Heel Cup using the included screws, nuts and washers. Leave Heel Cup loose for now.
2. Adjust Heel Cup on Foot plate to fit shoe. Slide Heel Cup in or out to adjust length of Foot Plate so your leg is aligned with the Upper Side Pole.
3. Make sure Heel Cup screws are fastened securely.

HEIGHT ADJUSTMENT

1. Stand or sit in a comfortable position to try on the assembled stilt.
2. Remove Height Adjustment Knobs and pull Upper Legs to the required length.
3. Place Leg Support Cuff on or above the calf muscle, below the knee joint. Make sure the knee can flex properly.
4. Adjust the Upper Side Pole height by pulling up or pushing down.
5. Remove stilt and tighten Upper Side Pole Clamp bolt to secure height. NOTE: Do not over-tighten the clamp as doing so can bend the tube and weaken the stilt.

SIDEWAYS ADJUSTMENT

1. Loosen Upper Side Pole Bracket bolt. This adjusts distance between Foot Plate and Upper Side Pole.
2. While sitting, put stilt on.
3. Push or pull Side Pole so that knee is aligned over foot, making sure leg is straight (knees not turned out).
4. Tighten the Upper Side Pole Bracket bolt.

STILTS ADJUSTMENT AND MAINTENANCE

FASTEN STRAPS

CAUTION: Always attach the Calf Strap before fastening the Foot Straps.

1. Put on stilt, keeping one foot firmly on the ground. Fasten the Calf Strap, followed by the Ankle and Toe Strap.
2. With help from a skilled stilt co-worker, lift yourself onto the second stilt, keeping legs comfortably apart and your weight balanced. Fasten the Calf Strap, then Ankle and Toe Straps.
3. Make sure all straps are tight and secure.

NOTE: When mounting stilts, it is best to start from a sitting position using a bench, ladder or scaffold. Have a skilled stilt co-worker help you mount and balance from a sitting position.

FORWARD-BACKWARD STABILITY

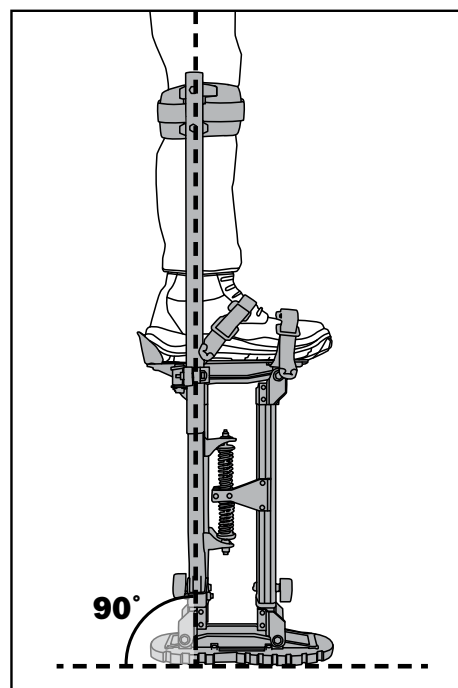
If you feel your weight shifting forward or backward while wearing the stilts, try the following settings:

1. Make sure your Heel Cup fits properly your shoe and your leg is aligned with the Upper Side Pole.
2. Adjust the Leg Cuff. To move your balance forward, loosen the Upper Side Pole Clamp and rotate the Leg Cuff a little to the back of your calf. To move your balance backward, rotate the Leg Cuff a little to the front of the calf. Retighten Clamp. Make sure Clamp is tight to prevent twisting.

NOTE: Do not shape the aluminum Leg Cuff to fit your leg, as this may cause it to crack or break.

3. Adjust the Springs – for most users, the Springs factory setting is adequate to maintain stability. If needed, adjust the Springs by turning the Spring Adjuster Disk (clockwise to tighten).
 - a. Forward Stability: Tighten the Upper Spring (light grey) to shift your weight back.
 - b. Backward Stability: Tighten the Lower Spring (dark grey) to shift your weight forward. Turn the Adjuster Disk slightly (1/2 turn) and test walking, repeating until comfortable.

NOTE: Over-tightening the Springs may limit walking action and damage the stilts.

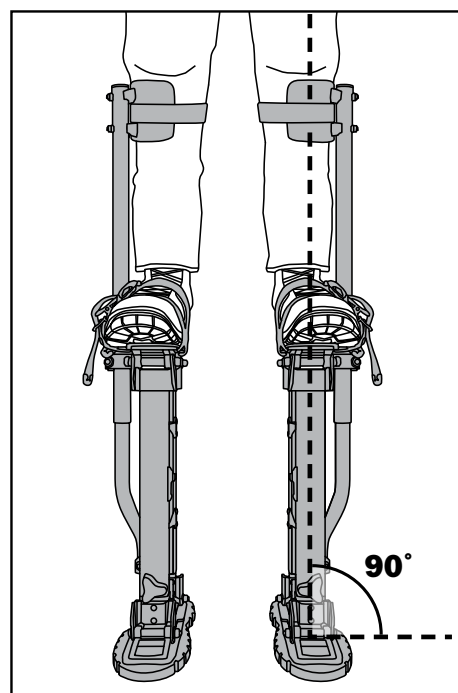


SIDEWAYS ADJUSTMENT

When correctly balanced the Leg Cuffs should apply moderate support to the calf. If the Leg Cuff forces the leg inward or pulls the knee outward, revise the Upper Side Pole Bracket sideways adjustment:

1. While sitting or balancing on the stilt with the help of a co-worker, loosen the Sideways Adjusting bolt on the Upper Side Pole Bracket.
2. Move the Side Pole inward until the Leg Cuff is comfortably resting against your leg. Securely tighten the bolt.
3. Test the change by walking with the co-worker. If you still feel knee pressure, continue to move the Leg Cuff until you feel balanced without pressure on your knee joints.

CAUTION: It is important to adjust the stilts to feel comfortable. Improper tuning may cause fatigue and injury. If you feel any pain or discomfort, re-adjust the fit.



HEIGHT ADJUSTMENT

1. Always remove stilts before adjusting the height.
2. Remove Height Adjustment Knobs and pull Upper Legs to the required length.
3. Align the Knob holes, install the Adjustment Knobs and fasten securely. Make sure washers are on before tightening the Knobs.
4. Check that front and back legs – and both stilts – are adjusted to the same height.

CAUTION: Check to make sure Adjustment Knob bolts are tight before each use.

CLEANING AND INSPECTION

WARNING: Inspect stilts daily and replace any worn or damaged components. Check for excess wear and verify that all fasteners are tight.

1. Clean Foot Plates and Floor Soles before each use. Replace your Floor Soles regularly to maintain maximum traction.

NOTE: Make sure to use only water for the cleanup.

2. Clean and lubricate moving parts daily with a Silicone Spray. Be careful not to get lubricant on your Floor Soles or Foot Plates that could cause you to lose traction or slip.
-

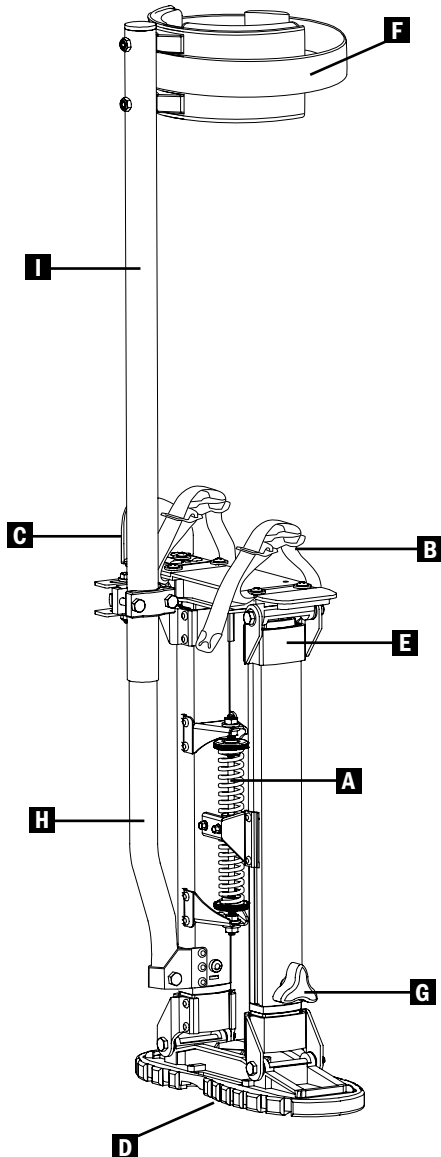
STORAGE

Store stilts in a dry location where they will not be bent or damaged.

REPLACEMENT PARTS

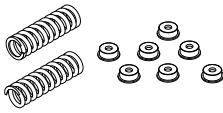
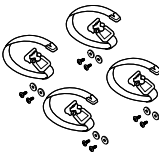
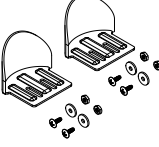

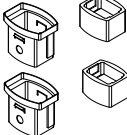
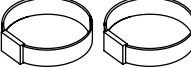




REPLACEMENT PARTS AND HARDWARE

FOR YOUR DRYWALL STILTS
(MODELS: I-IDS1830 / I-IDS1830QP / I-IDS2440)



All the parts provided by our factories are genuine quality replacement parts. Using the chart to find the required part and its number and contact our customer service for ordering.

Customer Service: 1 800 363-7587
customerservice@metaltech.co

	PART NAME	PART NUMBER
A	 Spring kit	I-BMDS1830901
B	 Foot Strap kit	I-HDS1830902
C	 Heel cup kit	I-BMDS1830903
D	 Floor Sole kit	I-HDS1830904
E	 Sleeve kit	I-BMDS1830905
F	 Leg Strap kit	I-HDS1830906
G	 Adjustment Knob	VB-HTL1/4X13/4
H	 18" – 30" Lower side pole	I-BMDS1830006
	 24" – 40" Lower side pole	I-BMDS2440006
I	 Upper side pole assembly	I-HDS1830005

ENGLISH

FRANÇAIS

ESPAÑOL

ENGLISH

FRANÇAIS

ESPAÑOL

One Year Limited Warranty

Metaltech-Omega Inc. guarantees this product against any material defect. Please return this product, freight prepaid, to Metaltech-Omega Inc. At its own discretion, Metaltech-Omega Inc. will replace or repair this product and return it within a reasonable time. This warranty does not cover any damage(s) caused by any incorrect or inappropriate use, care or maintenance. Proof of purchase must accompany the return.



WWW.METALTECH.CO
1 800 363-7587
LAVAL, QUEBEC, CANADA H7L 3N6

Patent USD877814S1
Metaltech is a registered trademark of Metaltech-Omega inc.
DESIGNED IN CANADA

METALTECH**JOBSITETM
SERIES**MODÈLES:
I-IDS1830
I-IDS1830QP
I-IDS2440

CONSIGNES DE SÉCURITÉ ET INSTRUCTIONS D'ASSEMBLAGE



AVERTISSEMENT !

LIRE TOUTES LES CONSIGNES ET TOUS LES AVERTISSEMENTS DE CE MANUEL AINSI QUE LES ÉTIQUETTES SUR LE PRODUIT AVANT D'UTILISER LES ÉCHASSES. IL EST DE VOTRE RESPONSABILITÉ DE LIRE, COMPRENDRE ET SUIVRE CES INSTRUCTIONS.

Ce manuel fournit des informations nécessaires sur l'utilisation et l'entretien approprié. Nous vous garantissons que tous les efforts ont été faits concernant la précision de ce manuel. Ces lignes directrices ne sont pas destinées à couvrir chaque condition et circonstance imaginable qui peuvent survenir. Nous nous réservons le droit de modifier ce produit à tout moment sans préavis.

IL EST ESSENTIEL QUE LES ÉCHASSES SOIENT ASSEMBLÉES CORRECTEMENT ET AJUSTÉES SELON LA TAILLE ET LES PRÉFÉRENCES DE L'UTILISATEUR. D'AILLEURS, IL EST CRUCIAL DE MAINTENIR VOS ÉCHASSES EN BONNE CONDITION ET DE LES INSPECTER AVANT TOUTE UTILISATION, S'ASSURER QUE TOUTES LES FIXATIONS; BOULONS, ÉCROUS, MOLETTES ET VIS SONT CORRECTEMENT SERRÉS. IL EST VOTRE RESPONSABILITÉ DE LIRE, COMPRENDRE ET SUIVRE CES INSTRUCTIONS, ET DE TOUJOURS UTILISER DES ÉCHASSES AVEC PRUDENCE. LES ÉCHASSES DOIVENT ÊTRE UTILISÉES UNIQUEMENT SUR UN PLANCHER DE NIVEAU, LIBRE DE TOUTES OBSTRUCTIONS OU TOUT DÉBRIS.

SI VOUS AVEZ DES DOUTES SUR LES CONDITIONS D'UTILISATION SUSCEPTIBLES D'ÊTRE SÉCURITAIRES OU DANGEREUSES, N'UTILISEZ PAS CE PRODUIT !

LES ÉCHASSES SONT POUR UN USAGE PROFESSIONNEL SEULEMENT !

NOUS NE SOMMES PAS RESPONSABLES DE TOUT ACCIDENT RÉSULTANT D'UNE UTILISATION INCORRECTE, D'UNE UTILISATION IRRRESPONSABLE, D'UNE INSPECTION OU D'UN ENTRETIEN INADÉQUAT. CECI RELÈVE DE LA SEULE RESPONSABILITÉ DE L'UTILISATEUR.

PIÈCES MANQUANTES OU BRISÉES ?

NE RETOURNEZ PAS LE PRODUIT AU MAGASIN DE DÉTAIL OÙ VOUS L'AVEZ ACHETÉ - VEUILLEZ COMMUNIQUER AVEC NOTRE SERVICE À LA CLIENTÈLE.

Si vous éprouvez des problèmes, avez des questions concernant l'assemblage ou l'utilisation de ce produit ou avez besoin de pièces de rechange, veuillez contacter notre service à la clientèle:

1 800 363-7587 / 450-681-6440 / SAC@METALTECH.CO

ENGLISH

FRANÇAIS

ESPAÑOL

1**AN
DE GARANTIE**

CONSIGNES DE SÉCURITÉ



LIRE SOIGNEUSEMENT AVANT D'EFFECTUER LE MONTAGE.

LA NON-COMPRÉHENSION ET LE NON-RESPECT DE TOUTES LES RÈGLES DE SÉCURITÉ ET DE TOUTES LES CONSIGNES D'ASSEMBLAGE PEUVENT ENTRAÎNER DES BLESSURES GRAVES OU MORTELLES.



LE MÉTAL EST CONDUCTEUR D'ÉLECTRICITÉ :

Ne pas utiliser cet équipement où il pourrait entrer en contact avec une ligne électrique ou une source de courant.



ÉVITEZ LES SURCHARGES :

Les échasses sont conçues pour soutenir une charge maximale de 225 lb (102 kg).



FONCTIONNEMENT ET SÉCURITÉ

1. L'utilisateur doit lire et comprendre toutes les instructions avant d'utiliser ce produit.
2. N'utilisez pas cet équipement si vous êtes en mauvaise santé, prenez des médicaments, avez consommé de la drogue ou de l'alcool, ce qui pourrait nuire à votre capacité à travailler en toute sécurité sur ce produit.
3. Utilisez toujours ces échasses conformément à la législation locale ou nationale qui s'applique.
4. Inspectez avant utilisation. Ne pas utiliser si des pièces sont endommagées ou manquantes. Remplacez tous les composants endommagés ou excessivement usés avant d'utiliser les échasses. Les échasses doivent être entretenues et nettoyées quotidiennement.
5. Les échasses ne doivent pas être modifiées. Ne jamais réparer temporairement des pièces endommagées ou manquantes.
6. Examinez soigneusement afin de s'assurer que les échasses sont correctement assemblées.
7. Les échasses doivent être correctement assemblées et ajustées telles qu'expliquées dans ce manuel.
8. Fixez d'abord la sangle de la jambe en mettant les échasses.
9. Maintenir les sangles ajustées, mais confortables, toujours attachées et sécurisées. Un serrage excessif peut provoquer une perte de circulation et un engourdissement dans les jambes.
10. Ne pas porter d'échasses sans avoir eu d'instructions pertinentes sur la façon de les porter et de les utiliser. Assurez-vous que les échasses sont confortables et ajustées correctement. Pratiquer le port des échasses avec l'aide d'un collègue ou d'un mur proche comme appuis afin de prévenir les chutes.
11. Les échasses doivent être retirées pour effectuer des ajustements.
12. La zone de travail doit être exempte de débris, d'obstructions et être de niveau.
13. Utiliser uniquement sur une surface dure et un plancher de niveau.
14. Faites attention lorsque vous travaillez près de meubles, d'installations, tuyaux, rails et grilles.
15. Ne jamais travailler près d'escaliers, portes, fenêtres, ouvertures de plancher ou d'autres dangers.
16. Toujours couvrir ou bloquer les ouvertures de plancher, les escaliers et les dénivellations.
17. Évitez de marcher sur des surfaces huileuses, humides ou autrement glissantes.
18. Toujours penser à la sécurité et prendre un soin extrême lors de l'utilisation des échasses.
19. Regardez toujours avant de marcher. Toujours avertir les collègues de vos déplacements.
20. Faites des enjambées courtes et fermes, en vous assurant de bien soulever les échasses à chaque pas. Ne faites pas trainer les échasses au sol lorsque vous vous déplacez ou marchez.
21. Évitez de travailler au-dessus d'autres travailleurs ou de leur équipement lorsque vous portez des échasses.
22. Marcher vers l'avant seulement. Ne jamais marcher à reculons. Faire un «virage en U» pour changer de direction.
23. Ne jamais marcher sur des surfaces surélevées, par exemple, des madriers, des échafaudages, des échelles ou des bancs, etc.
24. Ne pas monter ou descendre dans un escalier tout en portant des échasses.
25. Demander de l'aide d'autres collègues pour récupérer des objets au sol.
26. Détacher la sangle de la jambe en dernier lorsque vous enlevez les échasses.
27. Ce produit n'est pas destiné ou conçu à des fins de divertissement.

RÈGLES D'UTILISATION ET DE NON-UTILISATION DES ÉCHASSES



LES ÉCHASSES DOIVENT ÊTRE UTILISÉES QUE POUR LES TÂCHES LÉGÈRES TELLES QUE:

- ✓ installer de l'isolant;
- ✓ installer des fourrures métalliques;
- ✓ visser des feuilles aux fourrures métalliques, plafond, solives de planchers et de murs;
- ✓ rapiécage, retouche et joints à l'aide d'une truelle;
- ✓ fixation de corniches; et
- ✓ ponçage manuel mineur.



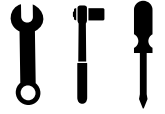
LES ÉCHASSES NE DOIVENT **PAS** ÊTRE UTILISÉES LORSQUE:

- ✗ le site de travail n'est pas «prêt à plâtrer»;
- ✗ observer ou éprouver de la fatigue;
- ✗ elles sont mal entretenues;
- ✗ soulever ou supporter des feuilles de placoplâtre;
- ✗ manipuler des objets longs, lourds ou encombrants, tels que des corniches décoratives;
- ✗ les employés n'ont pas été correctement formés à leur utilisation;
- ✗ marcher dans des escaliers;
- ✗ le sol n'est pas de niveau, change de hauteur ou est en pente;
- ✗ passer dans ou au-dessus de baignoires ou d'autres obstructions;
- ✗ utilisées sur une surface autre qu'un plancher (tels que des tables, tréteaux, etc.);
- ✗ les ressorts sont complètement comprimés (causés lors du levage d'objets lourds ou exerçant une force ascendante, comme le forage à travers des structures aériennes);
- ✗ ramasser des objets à un niveau inférieur au genou;
- ✗ se tenir sur des protections de cavités qui plient sous le poids;
- ✗ utiliser des équipements inappropriés tels que des boîtes à truelle, des outils avec des fils d'alimentation ou des tuyaux flexibles;
- ✗ il n'y a pas de plate-forme adéquate pour mettre ou enlever les échasses;
- ✗ la hauteur du plafond est supérieure à 10 pieds (3 m); ou
- ✗ la tâche nécessite une flexion fréquente du torse ou un étirement excessif.

ASSEMBLAGE DES ÉCHASSES

OUTILS NÉCESSAIRES:

- Clé de 7/16"
- Douille de 7/16" et manche à cliquet
- Tournevis cruciforme #2



ASSEMBLAGE DES TUBES LATÉRAUX

1. Desserrer les boulons de la bride de tube supérieur.
2. Retirer le boulon du collier de serrage du tube inférieur.
3. Insérer le tube inférieur à travers le collier de serrage du tube supérieur, jusqu'au collier de serrage du tube inférieur. Aligner le trou du tube avec celui du collier de serrage, remettre le boulon et la rondelle intérieure du collier en place, ajouter la seconde rondelle et serrer l'écrou. Soulevez le tube pour vous assurer qu'il est correctement fixé.
4. Faire glisser le tube supérieur sur le tube inférieur par la bride de tube supérieur. Serrer les boulons de sorte que le tube tienne en place, mais qu'il soit toujours possible de le faire coulisser et tourner.

ASSEMBLAGE ET AJUSTEMENT DE LA TALONNETTE

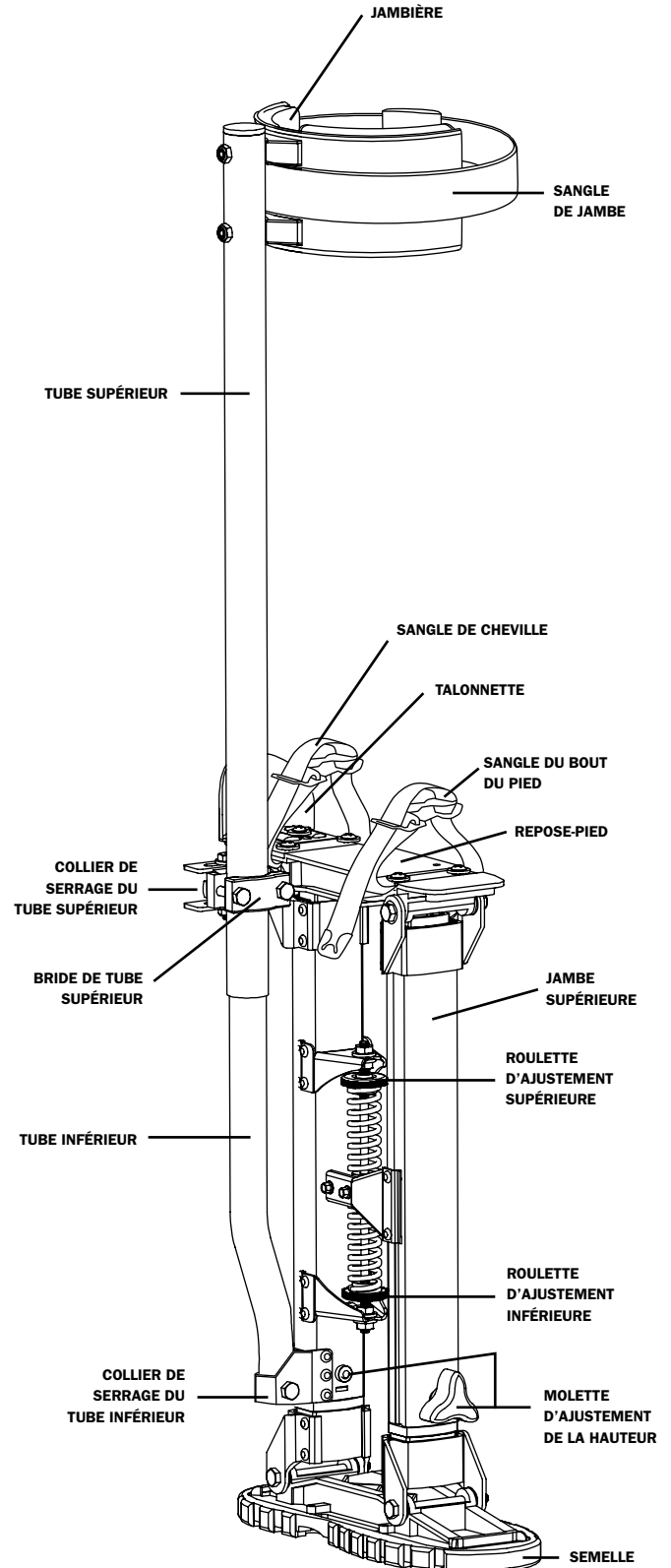
1. Installer la talonnette à l'aide des vis, écrous et rondelles incluses. Laisser du jeu dans l'assemblage pour le moment.
2. Ajuster la talonnette sur le repose-pied pour s'adapter à la chaussure. Faire glisser la talonnette dans un sens ou dans l'autre afin que votre jambe soit alignée avec le tube supérieur.
3. Serrer les vis de la talonnette une fois l'ajustement terminé.

RÉGLAGE DE LA HAUTEUR

1. Se placer ou s'asseoir dans une position confortable pour essayer les échasses assemblées.
2. Placer la chaussure dans la talonnette. Le tube supérieur devrait être à l'extérieur de la jambe.
3. Placer la jambière sur ou au-dessus du muscle du mollet, sous l'articulation du genou. S'assurer que le genou peut bien fléchir.
4. Ajuster la hauteur du tube supérieur en tirant vers le haut ou en appuyant vers le bas.
5. Enlever les échasses et serrer les boulons de serrage de la bride de tube supérieur. NOTE: Ne pas trop serrer la bride, car ceci pourrait écraser le tube et affaiblir les échasses.

AJUSTEMENT LATÉRAL

1. Desserrer le boulon du collier de serrage du tube supérieur. Ceci permet d'ajuster la distance entre le repose-pied et le tube supérieur.
2. En position assise, mettre les échasses.
3. Pousser ou tirer sur le tube supérieur pour que le genou soit aligné avec le pied, s'assurer que la jambe est bien droite (pas de torsion du genou).
4. Serrer le boulon du collier de serrage du tube supérieur.



RÉGLAGE ET MAINTENANCE DES ÉCHASSES

SANGLES DE SERRAGE

ATTENTION: Toujours attacher la sangle de jambe avant les sangles du pied.

1. Mettre une échasse, garder un pied au sol. Attacher la sangle de jambe, suivie de la sangle de cheville et celle du bout de pied.
2. Avec l'aide d'un collègue qualifié avec les échasses, s'élever sur la deuxième échasse, garder les jambes confortablement éloignées et votre poids bien équilibré. Attacher la sangle de jambe, puis les sangles de cheville et du bout de pied.
3. S'assurer que toutes les sangles sont bien serrées.

NOTE: Lorsqu'on monte sur des échasses, il est préférable de commencer dans une position assise en utilisant un banc, une échelle ou un échafaudage. Obtenir l'aide d'un collègue qualifié avec les échasses pour vous aider à vous mettre debout à partir d'une position assise.

STABILITÉ VERS L'ARRIÈRE OU VERS L'AVANT

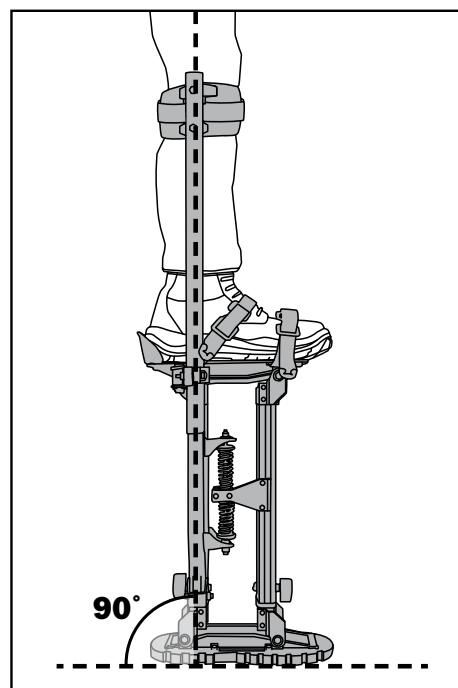
Si vous sentez que votre poids se déplace vers l'avant ou vers l'arrière tout en portant les échasses, essayez les réglages suivants:

1. S'assurer que la talonnette correspond correctement à votre chaussure et que votre jambe est alignée avec le tube supérieur.
2. Ajuster la jambière. Pour déplacer votre équilibre vers l'avant, desserrer la bride de tube supérieur et faire pivoter légèrement la jambière vers l'arrière de votre mollet. Pour déplacer votre équilibre vers l'arrière, faire pivoter légèrement la jambière vers l'avant du mollet. Resserrer la bride. S'assurer que la bride de tube supérieur est bien serrée pour éviter toute torsion.

NOTE: Ne pas déformer la jambière pour l'adapter à votre jambe, car cela risque de provoquer une fissure ou une cassure dans l'aluminium.

3. Ajuster la tension des ressorts - pour la plupart des utilisateurs, le réglage d'usine des ressorts est adéquat pour maintenir la stabilité. Si nécessaire, ajustez les ressorts en tournant la roulette d'ajustement (dans le sens des aiguilles d'une montre pour serrer).
 - a. Stabilité avant: serrer le ressort supérieur (gris pâle) pour déplacer votre poids vers l'arrière.
 - b. Stabilité arrière: serrer le ressort inférieur (gris foncé) pour déplacer votre poids vers l'avant. Tourner légèrement le disque d'ajustement (un demi-tour à la fois) et tester la marche, répéter jusqu'au réglage parfait.

NOTE: Un resserrement excessif des ressorts peut limiter l'action de marche et endommager les échasses.



ENGLISH

FRANÇAIS

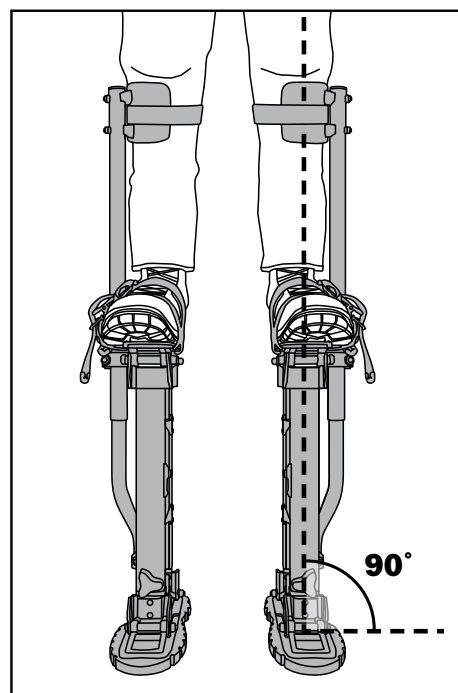
ESPAÑOL

AJUSTEMENT LATÉRAL

Lorsqu'elles sont correctement ajustées, les jambières doivent appliquer un soutien modéré au mollet. Si la jambière force la jambe vers l'intérieur ou tire le genou vers l'extérieur, réviser le réglage du collier de serrage du tube supérieur:

1. En position assise ou en équilibre sur les échasses avec l'aide d'un collègue, desserrer le boulon du collier de serrage du tube supérieur.
2. Déplacer le tube supérieur vers l'intérieur jusqu'à ce que la jambière repose confortablement contre votre jambe. Serrer fermement le boulon.
3. Tester le changement en marchant avec l'aide d'un collègue. Si une pression est toujours ressentie sur le genou, continuez à déplacer le tube jusqu'à ne plus sentir de pression sur le genou.

ATTENTION: Il est important d'ajuster les échasses pour se sentir à l'aise. Un mauvais réglage peut causer de la fatigue et des blessures. Si vous ressentez une douleur ou un malaise, réajustez-les.



RÉGLAGE DE LA HAUTEUR

1. Toujours enlever les échasses avant d'ajuster la hauteur.
2. Retirer les molettes d'ajustement de la hauteur et tirer les jambes supérieures jusqu'à la hauteur requise.
3. Aligner les trous des molettes, réinstaller les molettes d'ajustement et les serrer solidement. S'assurer que les rondelles de blocage sont en place avant de serrer les molettes.
4. Vérifier que les jambes avant et arrière - et les deux échasses - sont réglées à la même hauteur.

ATTENTION: Vérifier que les boulons des molettes sont correctement serrés avant chaque utilisation.

NETTOYAGE ET INSPECTION

AVERTISSEMENT: Inspecter les échasses quotidiennement et remplacer les composantes usées ou endommagées. Vérifier s'il y a une usure excessive et que toutes les fixations sont serrées.

1. Nettoyer les repose-pieds et les semelles avant chaque utilisation. Remplacer régulièrement les semelles afin de maintenir une traction maximale.

NOTE: Utiliser uniquement de l'eau pour le nettoyage.

2. Nettoyer et lubrifier les pièces mobiles quotidiennement avec un lubrifiant au silicone en aérosol. Faire attention à ne pas vaporiser de lubrifiant sur vos semelles ou repose-pieds, ce qui pourrait vous faire perdre pied.
-

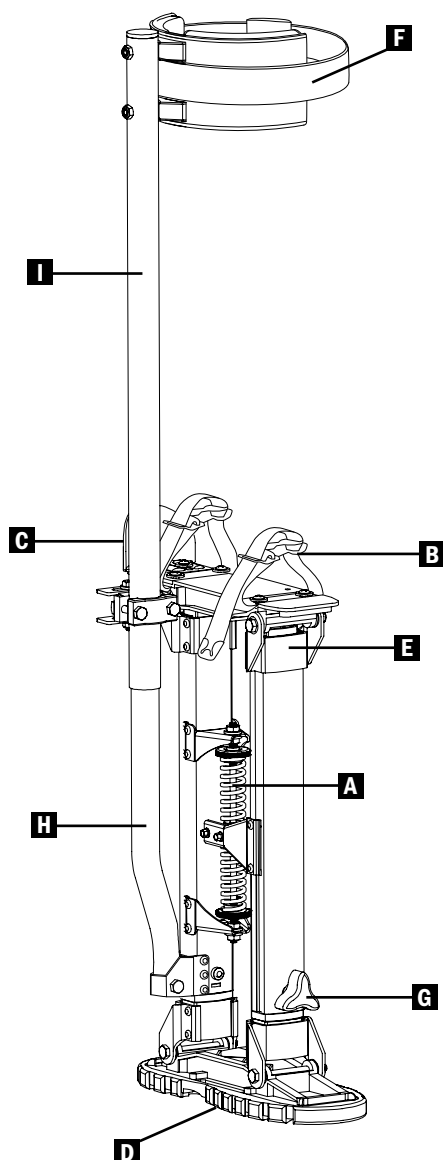
RANGEMENT

Ranger les échasses dans un endroit sec où elles ne seront pas endommagées.

PIÈCES DE RECHANGE

PIÈCES DE RECHANGE ET QUINCAILLERIE

POUR VOS ÉCHASSES DE PLÂTRIER
(MODÈLES: I-IDS1830 / I-IDS1830QP /
I-IDS2440)



Toutes les pièces fournies par nos usines sont de la même qualité que les pièces d'origine neuves. Utilisez le tableau pour trouver la pièce requise et son numéro et contactez notre service client pour commander.

Service à la clientèle 1 800 363-7587
serviceclient@metaltech.co

		NOM DE LA PIÈCE	NUMÉRO DE PIÈCE
A		Kit de ressort	I-BMDS1830901
B		Kit de sangle de pied	HDS1830902
C		Kit de talonnette	I-BMDS1830903
D		Kit de semelle	HDS1830904
E		Kit de manche	I-BMDS1830905
F		Kit de sangle de jambe	HDS1830906
G		Molette d'ajustement	VB-HTL1/4X13/4
H		Tube inférieur 18" – 30"	I-BMDS1830006
		Tube inférieur 24" – 40"	I-BMDS2440006
I		Tube supérieur	HDS1830005

ENGLISH

FRANÇAIS

ESPAÑOL

ENGLISH

FRANÇAIS

ESPAÑOL

Garantie limitée de 1 an

Metaltech-Omega inc. garantit ce produit contre toute défectuosité matérielle ou de fabrication. Retourner ce produit à Metaltech-Omega inc. port payé. Metaltech-Omega inc. s'engage à réparer ou à remplacer, à sa discrétion, ce produit gratuitement et vous le retourner dans un délai raisonnable. Cette garantie ne couvre pas les dommages causés par un entretien incorrect ou inadéquat ou un usage abusif. Une preuve d'achat doit accompagner le retour.



WWW.METALTECH.CO
1 800 363-7587
LAVAL, QUEBEC, CANADA H7L 3N6

Brevet USD877814S1
Metaltech est une marque déposée de Metaltech-Omega inc.
CONÇU AU CANADA

METALTECH**JOBSITE[™]
SERIES**MODELO:
I-IDS1830
I-IDS1830QP
I-IDS2440

DIRECTIVAS DE SEGURIDAD E INSTRUCCIONES DE MONTAJE

¡ADVERTENCIA!

LEA TODAS LAS INSTRUCCIONES Y ADVERTENCIAS DEL PRESENTE MANUAL, ASÍ COMO LAS ETIQUETAS DEL PRODUCTO ANTES DE UTILIZAR LOS ZANCOS. LEER, COMPRENDER Y SEGUIR LAS INSTRUCCIONES ES SU RESPONSABILIDAD.

El presente manual proporciona información indispensable sobre la operación y mantenimiento adecuados. Se han realizado todos los esfuerzos posibles para garantizar la precisión de la información del presente manual. Estas directivas no tienen por objeto abordar todas las circunstancias y condiciones que puedan presentarse. La empresa se reserva el derecho de modificar este producto en cualquier momento y sin aviso previo.

ES ESENCIAL MONTAR Y AJUSTAR LOS ZANCOS CORRECTAMENTE SEGÚN EL TAMAÑO Y LAS PREFERENCIAS PERSONALES. ASIMISMO, ES CRUCIAL MANTENER LOS ZANCOS EN BUENAS CONDICIONES E INSPECCIONARLOS ANTES DE CADA UTILIZACIÓN PARA ASEGURARSE DE QUE TODAS LAS FIJACIONES, PERNOS, TUERCAS, TUERCAS DE ALETAS Y TORNILLOS ESTÉN BIEN AJUSTADOS. LEER, COMPRENDER Y SEGUIR ESTAS INSTRUCCIONES, ASÍ COMO PROCEDER CON PRECAUCIÓN CUANDO UTILICE LOS ZANCOS, ES SU RESPONSABILIDAD. LOS ZANCOS DEBEN USARSE ÚNICAMENTE SI SE TRABAJA EN UNA SUPERFICIE NIVELADA Y LIBRE DE OBSTÁCULOS O ESCOMBROS.

SI EXISTIERA ALGUNA DUDA CON RESPECTO A LA SEGURIDAD DE SU ENTORNO, NO UTILICE ESTE PRODUCTO.

LOS ZANCOS SON PARA USO PROFESIONAL ÚNICAMENTE.

LA EMPRESA NO SE HACE RESPONSABLE POR NINGÚN ACCIDENTE QUE PUDIERA OCURRIR COMO RESULTADO DEL USO INADECUADO O IRRESPONSABLE DEL PRODUCTO NI POR NO HABER INSPECCIONADO O MANTENIDO EL PRODUCTO ADECUADAMENTE. LO ANTERIOR ES RESPONSABILIDAD EXCLUSIVA DEL USUARIO.

¿PIEZAS DAÑADAS O FALTANTES?

NO DEVUELVA ESTE PRODUCTO AL COMERCIO MINORISTA DONDE LO COMPRÓ. COMUNÍQUESE CON NUESTRO DEPARTAMENTO DE SERVICIO AL CONSUMIDOR.

Si tiene algún problema, desea hacer alguna pregunta sobre el montaje del producto, o necesita piezas de repuesto, comuníquese con nuestro servicio al cliente:

1 800 363-7587 / 450-681-6440 / CS@METALTECH.CO



ENGLISH

FRANÇAIS

ESPAÑOL

1AÑO
DE GARANTÍA

DIRECTIVAS DE SEGURIDAD



LEA ATENTAMENTE ANTES DE COMENZAR EL MONTAJE.

LA FALTA DE COMPRESIÓN Y RESPETO A TODAS LAS REGLAS DE SEGURIDAD Y EL INCUMPLIMIENTO DE LAS INSTRUCCIONES DE MONTAJE PUEDEN CAUSAR LESIONES GRAVES O MORTALES



EL METAL ES CONDUCTOR DE ELÉCTRICIDAD:

No use este equipo donde pueda estar en contacto con líneas de electricidad o circuitos eléctricos vivos



NO SOBRECARGUE LOS ZANCOS:

Los zancos están diseñados para soportar una carga máxima de 225 lb (102 kg).



CONSIGNAS DE SEGURIDAD

1. El operador debe leer y comprender las instrucciones antes de usar el producto.
2. No utilice este equipo si se encuentra mal, si está tomando medicamentos, o bajo la influencia del alcohol o drogas, esto podría rebajar su capacidad para trabajar en toda seguridad con este equipo.
3. Siempre utilice los zancos de conformidad con la legislación local o nacional aplicable.
4. Inspeccione el producto antes de su utilización. No lo utilice si está dañado o si faltan piezas. Reemplace todo componente dañado o demasiado deteriorado antes de utilizar los zancos. Los zancos deben mantenerse y limpiarse diariamente.
5. Los zancos no deben modificarse. Nunca realice reparaciones transitorias de piezas dañadas o faltantes.
6. Examine el producto cuidadosamente para asegurarse de que los zancos están armados correctamente.
7. Los zancos deben montarse y ajustarse correctamente según las instrucciones del presente manual.
8. Ajuste la correa para las pantorrillas cuando se coloque los zancos.
9. Mantenga las correas ajustadas y seguras, pero con un nivel de ajuste que le sea cómodo. Ajustarlas demasiado puede causar pérdida de circulación y entumecimiento de las piernas.
10. No utilice los zancos sin haber recibido instrucciones previas pertinentes sobre cómo ponérselos y usarlos. Asegúrese de sentirse cómodo y de que los zancos estén bien ajustados. Practique caminar con los zancos con la ayuda de una barandilla o cerca de un muro para poder frenar y evitar caerse.
11. Para realizar ajustes a los zancos, primero debe sacárselos.
12. El área de trabajo debe estar nivelada y libre de escombros u obstáculos.
13. Utilice los zancos únicamente sobre una superficie dura y nivelada.
14. Siempre tenga cuidado cuando trabaje.
15. Nunca trabaje cerca de escaleras sin protección, puertas o ventanas abiertas, aberturas en el piso u otros peligros.
16. Cubra o bloquee siempre las aberturas en el piso, así como las escaleras y los desniveles.
17. Evite caminar sobre superficies aceitosas, mojadas o resbaladizas.
18. Mantenga siempre la seguridad en mente y tenga extremo cuidado cuando utiliza los zancos.
19. Mire siempre adelante antes de dar un paso. Advierta siempre a sus colegas de sus movimientos.
20. Dé pasos cortos y firmes, y asegúrese de levantar los zancos del suelo cada vez que dé un paso. No arrastre los zancos cuando camine o se mueva.
21. Evite trabajar por sobre otras personas o equipos mientras tenga los zancos puestos.
22. Camine únicamente hacia adelante. Nunca camine hacia atrás. Para cambiar de dirección, dé una vuelta en U.
23. No camine nunca sobre superficies elevadas, por ejemplo, pasarelas, andamios o escaleras, y nunca se pare en bancos, taburetes, etc.
24. No suba ni baje escaleras con los zancos puestos.
25. Pida ayuda a otras personas si encuentra objetos en el suelo.
26. Cuando se saque los zancos, lo último que debe quitarse es la correa de la pierna.
27. Este producto no ha sido diseñado con fines de entretenimiento.

REGLAS DE UTILIZACIÓN Y DE NO UTILIZACIÓN DE LOS ZANCOS

✓ LOS ZANCOS DEBEN UTILIZARSE ÚNICAMENTE PARA TAREAS LIGERAS, TALES COMO:

- ✓ instalación de bloques aislantes;
- ✓ instalación de perfiles de costillaje;
- ✓ fijación de placas a perfiles de costillaje, reticulado, muros y cara inferior de las viguetas del piso;
- ✓ emparchado, retocado y rellenado de juntas con llana;
- ✓ reparación de molduras; y
- ✓ lijado ligero a mano.

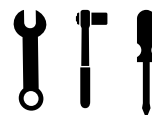
✗ LOS ZANCOS NO DEBEN USARSE CUANDO:

- ✗ el lugar de trabajo aún no está listo para aplicar el revestimiento;
- ✗ el operador observa signos de fatiga o se siente cansado;
- ✗ los zancos no han recibido el mantenimiento adecuado;
- ✗ se levantan o soportan placas de yeso;
- ✗ se manipulan objetos largos, pesados o difíciles de sostener, como molduras decorativas;
- ✗ los empleados no han recibido la capacitación pertinente para su uso;
- ✗ se suben o bajan escaleras;
- ✗ la superficie no está nivelada, o presenta cambios de altura o pendientes;
- ✗ se entra a una tina o se pasa por sobre esta o por sobre otros obstáculos;
- ✗ se camina sobre una superficie que no sea el suelo (como mesas, caballetes, etc.);
- ✗ los resortes están totalmente comprimidos (lo que ocurre cuando se levantan objetos pesados o se aplica mucha fuerza hacia arriba, como cuando se perforan estructuras por encima de la cabeza del operador);
- ✗ se levantan objetos por debajo de la altura de las rodillas;
- ✗ el operador debe pararse sobre la cubierta de una cavidad que se dobla con el peso;
- ✗ se usa un equipo no adecuado como cajas para llanas, herramientas con cables de alimentación eléctrica o mangueras;
- ✗ no hay una plataforma adecuada para montarlos y desmontarlos;
- ✗ el cielo raso es más alto que 10 ft (3 m); o
- ✗ la tarea requiere flexionar el torso o estirarse excesivamente con frecuencia.

MONTAJE DE LOS ZANCOS

HERRAMIENTAS NECESARIAS:

- Llave de 7/16"
- Llave de trinquete y casquillo de 7/16"
- Destornillador Phillips #2



MONTAJE DE LOS POSTES LATERALES

1. Afloje el perno de la abrazadera del poste lateral superior.
2. Afloje el soporte del poste lateral inferior y retire el perno del poste lateral.
3. Inserte el poste lateral inferior dentro del soporte del poste lateral superior y luego insértelo en el soporte del poste lateral inferior. Alinee la abrazadera del poste con el orificio y reinserte cuidadosamente el perno con la arandela en el soporte y en el poste. Agregue la segunda arandela y ajuste la tuerca. Levante el poste para asegurarse de que está ajustado correctamente.
4. Ajuste el perno para que el poste no se caiga, pero pueda moverlo y girarlo.

MONTAJE Y AJUSTE DE LA TALONERA

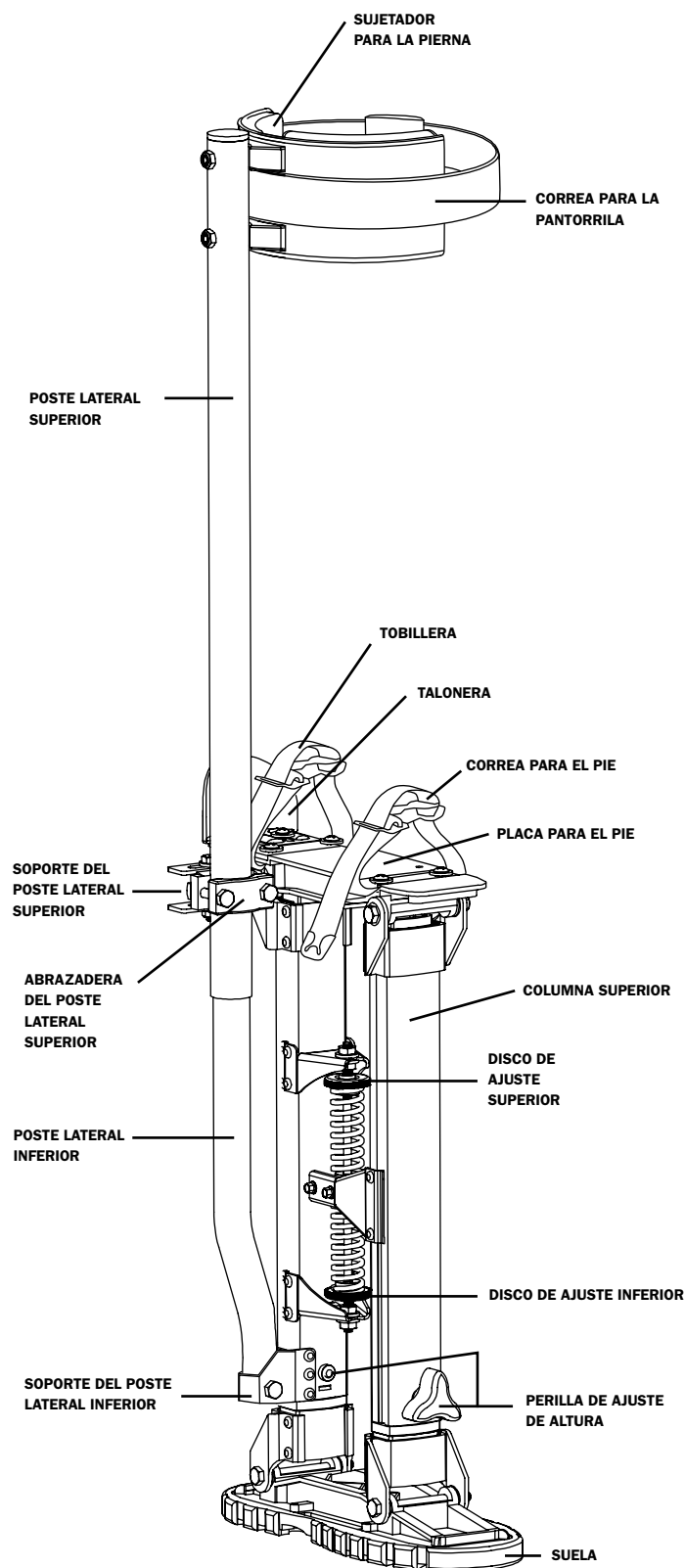
1. Instale la talonera usando los tornillos, tuercas y arandelas proporcionados. Por el momento, deje la talonera suelta.
2. Ajuste la talonera a la placa para el pie a fin de adaptarla al calzado. Deslice la talonera hacia adentro o hacia afuera para ajustar el largo de la placa para el pie a fin de que la pierna quede alineada con el poste lateral superior.
3. Asegúrese de que los tornillos de la talonera estén firmemente ajustados.

AJUSTE DE LA ALTURA

1. Párese o siéntese en una posición cómoda para probarse los zancos ya montados.
2. Retire las perillas de ajuste de la altura y tire de las columnas superiores hasta alcanzar la altura deseada.
3. Coloque el soporte del sujetador para la pierna sobre el músculo de la pantorrilla o un poco más arriba, por debajo de la articulación de la rodilla. Asegúrese de poder flexionar las rodillas correctamente.
4. Ajuste la altura del poste lateral superior tirando hacia arriba o empujando hacia abajo.
5. Sáquese el zanco y ajuste el perno de la abrazadera del poste lateral superior para que no se modifique la altura.
NOTA: No ajuste demasiado la abrazadera ya que podría torcer el poste y debilitar el zanco.

AJUSTE LATERAL

1. Afloje el perno del soporte del poste lateral superior. Esto ajusta la distancia entre la placa para el pie y el poste lateral superior.
2. Siéntese y colóquese el zanco.
3. Empuje o tire del poste lateral hasta que la rodilla esté alineada por sobre el pie, y asegúrese de que la pierna esté recta (las rodillas no deben apuntar hacia afuera).
4. Ajuste el perno del soporte del poste lateral superior.



AJUSTE Y MANTENIMIENTO DE LOS ZANCOS

CORREAS AJUSTABLES

PRECAUCIÓN: Ajuste siempre las correas de las pantorrillas antes de ajustar las de los pies.

1. Póngase un zanco, manteniendo un pie firmemente en el suelo. Ajuste la correa de la pantorrilla y luego la tobillera y la correa del pie.
2. Con ayuda de un colega experimentado en el uso de zancos, levántese sobre el segundo zanco, manteniendo las piernas cómodamente separadas y el peso equilibrado. Ajuste la correa de la pantorrilla y luego la tobillera y la correa del pie.
3. Asegúrese de que todas las correas estén ajustadas y aseguradas.

NOTA: Cuando suba a los zancos, siempre es mejor hacerlo sentado en un banco, escalera o andamio. Pídale a un colega experimentado en el uso de zancos que le ayude a pararse y a equilibrarse desde la posición de sentado.

ESTABILIDAD HACIA ADELANTE Y HACIA ATRÁS

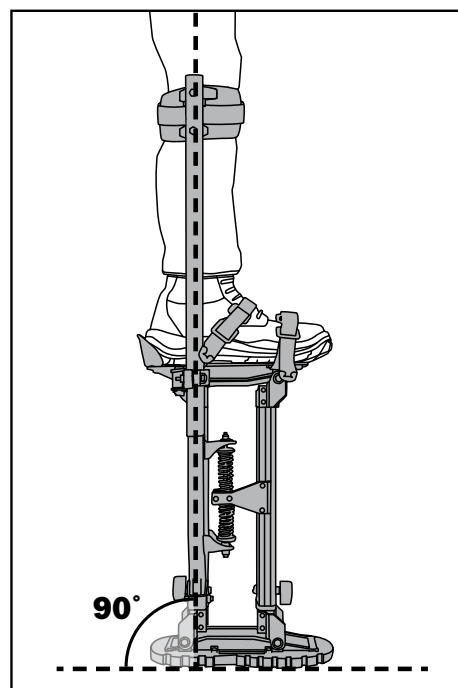
Si siente que se inclina hacia adelante o hacia atrás cuando usa los zancos, realice los siguientes ajustes:

1. Asegúrese de que la talonera se adapte bien a su calzado y que la pierna esté alineada con el poste lateral superior.
2. Ajuste sujetador para la pierna. Para trasladar su equilibrio hacia adelante, desajuste la abrazadera del poste lateral superior y rote levemente el sujetador para la pierna hacia la parte trasera de la pantorrilla. Para trasladar su equilibrio hacia atrás, rote levemente el sujetador para la pierna hacia la parte delantera de la pantorrilla. Reajuste la abrazadera. Asegúrese de que la abrazadera esté bien ajustada a fin de evitar la rotación.

NOTA: No tuerza el sujetador de aluminio para adaptarlo al contorno de la pierna, ya que puede rajarse o romperse.

3. Ajuste los resortes. Para la mayoría de los usuarios, el ajuste de fábrica es adecuado para mantener el equilibrio. Si es necesario, ajuste los resortes girando el disco de ajuste de los resortes (en dirección de las agujas del reloj para ajustar).
 - a. Estabilidad hacia adelante: Ajuste el resorte superior (gris claro) para trasladar el peso hacia atrás.
 - b. Estabilidad hacia atrás: Ajuste el resorte superior (gris oscuro) para trasladar el peso hacia adelante. Gire el disco de ajuste levemente (medio giro) e intente caminar. Repita este procedimiento hasta sentirse cómodo.

NOTA: Ajustar demasiado los resortes podría limitar el movimiento y dañar los zancos.



ENGLISH

FRANÇAIS

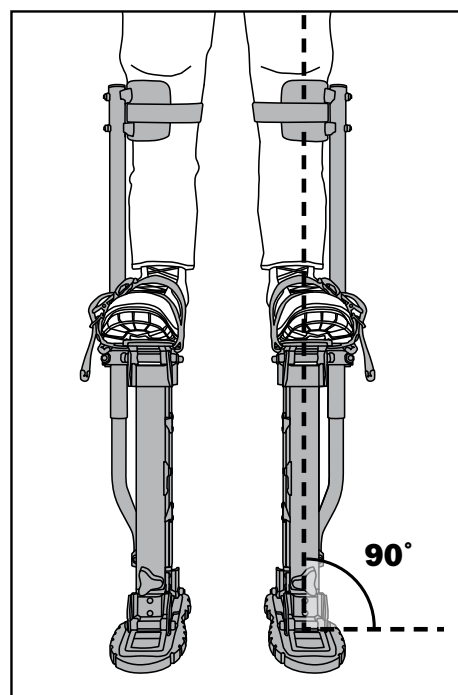
ESPAÑOL

AJUSTE LATERAL

Cuando se ajustan correctamente, los sujetadores para las piernas deberían proporcionar un soporte moderado a las pantorrillas. Si los sujetadores para las piernas empujan las piernas hacia adentro o las rodillas hacia fuera, inspeccione el ajuste lateral del soporte del poste lateral superior:

1. Sentado o en equilibrio sobre los zancos, pídale a un colega que lo ayude a desajustar el perno lateral del soporte del poste lateral superior.
2. Mueva el poste lateral hacia adentro hasta que el sujetador para la pierna esté apoyado cómodamente contra la pierna. Ajuste firmemente el perno.
3. Camine con la ayuda de un colega para probar el cambio. Si aún siente presión en las rodillas, vuelva a mover el sujetador para la pierna hasta que se sienta en equilibrio y sin presión en las articulaciones de las rodillas.

PRECAUCIÓN: Es importante ajustar los zancos para sentirse cómodo. Un giro inadecuado podría causar fatiga y lesiones. Si siente dolor o incomodidad, reajuste los zancos.



AJUSTE DE LA ALTURA

1. Sáquese siempre los zancos antes de ajustar la altura.
2. Retire las perillas de ajuste de la altura y tire de las columnas superiores hasta alcanzar la altura deseada.
3. Alinee los orificios de la perilla, instale las perillas de ajuste y ajústelas firmemente. Asegúrese de que las arandelas estén colocadas antes de ajustar las perillas.
4. Compruebe que las columnas trasera y delantera, y ambos zancos estén ajustados a la misma altura.

PRECAUCIÓN: Asegúrese de que los pernos de las perillas de ajuste estén bien ajustados antes de cada uso.

LIMPIEZA E INSPECCIÓN

ADVERTENCIA: Inspeccione los zancos diariamente y reemplace todo componente deteriorado o dañado. Asegúrese de que ningún componente esté excesivamente usado y que todas las fijaciones estén firmemente ajustadas.

1. Limpie las placas para los pies y las suelas antes de cada uso. Reemplace las suelas regularmente para mantener una tracción óptima.
NOTA: Asegúrese de usar únicamente agua para limpiar los zancos.
 2. Limpie y lubrique las piezas móviles diariamente con un aerosol de silicona. Asegúrese de no manchar con lubricante las suelas o las placas para los pies, ya que podría resbalarse o perder tracción.
-

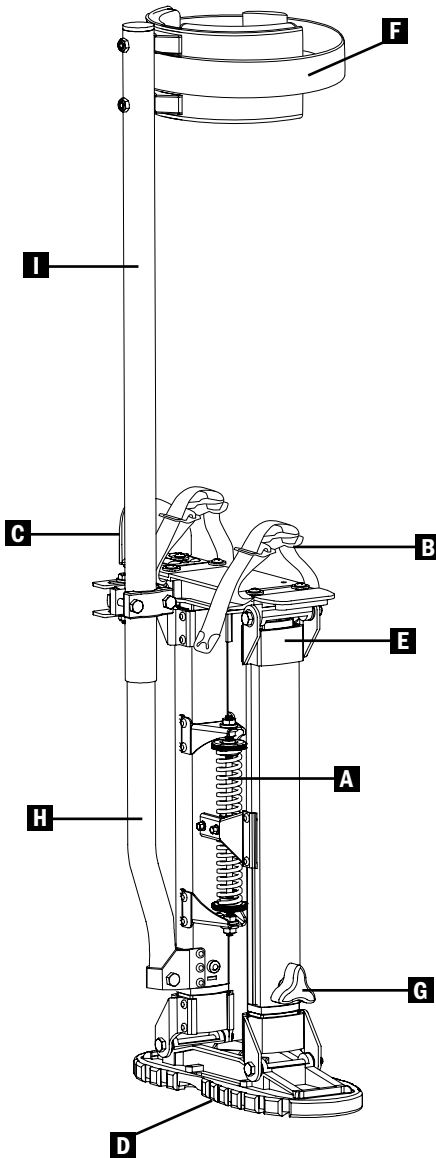
ALMACENAMIENTO

Almacene los zancos en un lugar seco donde no se doblen ni se dañen.

PIEZAS DE REEMPLAZO

PIEZAS DE REEMPLAZO Y FERRETERÍA

PARA ZANCOS PARA ALBAÑILERÍA
(MODELO : I-IDS1830 / I-IDS1830QP / I-IDS2440)



Todas las piezas proporcionadas por nuestras fábricas tienen la misma calidad que las piezas nuevas originales. Utilice el catálogo para encontrar la pieza requerida, el número de pieza y contacte nuestro servicio al cliente para hacer el pedido.

Servicio al cliente: 1 800 363-7587
customerservice@metaltch.co

		NOMBRE DE LA PIEZA	NÚMERO DE LA PIEZA
A		Kit de resortes	I-BMDS1830901
B		Kit de correa para pies	I-HDS1830902
C		Kit de talonera	I-BMDS1830903
D		Kit de suela	I-HDS1830904
E		Kit de manguitos	I-BMDS1830905
F		Kit de correas para las piernas	I-HDS1830906
G		Perilla de ajuste	VB-HTL1/4X13/4
H		Poste lateral inferior de 18" – 30"	I-BMDS1830006
		Poste lateral inferior de 24" – 40"	I-BMDS2440006
I		Kit de poste lateral superior	I-HDS1830005

ENGLISH

FRANÇAIS

ESPAÑOL

ENGLISH

FRANÇAIS

ESPAÑOL

Garantía limitada de 1 año

Metaltech-Omega inc. garantiza este producto contra toda defectuosidad material o de fabricación. Devolver este producto a Metaltech-Omega inc. puerto pagado. Metaltech-Omega Inc. se compromete a reparar o remplazar, a su discreción, este producto gratuitamente y devolvérselo en un plazo razonable. Esta garantía no cubre los daños causados por un mantenimiento incorrecto, inapropiado o un uso abusivo. Una prueba de la compra debe acompañar su devolución.



WWW.METALTECH.CO
1 800 363-7587
LAVAL, QUEBEC, CANADA H7L 3N6

Patente USD877814S1
Metaltech es una marca registrada de Metaltech-Omega inc.
CONCEBIDO EN CANADA