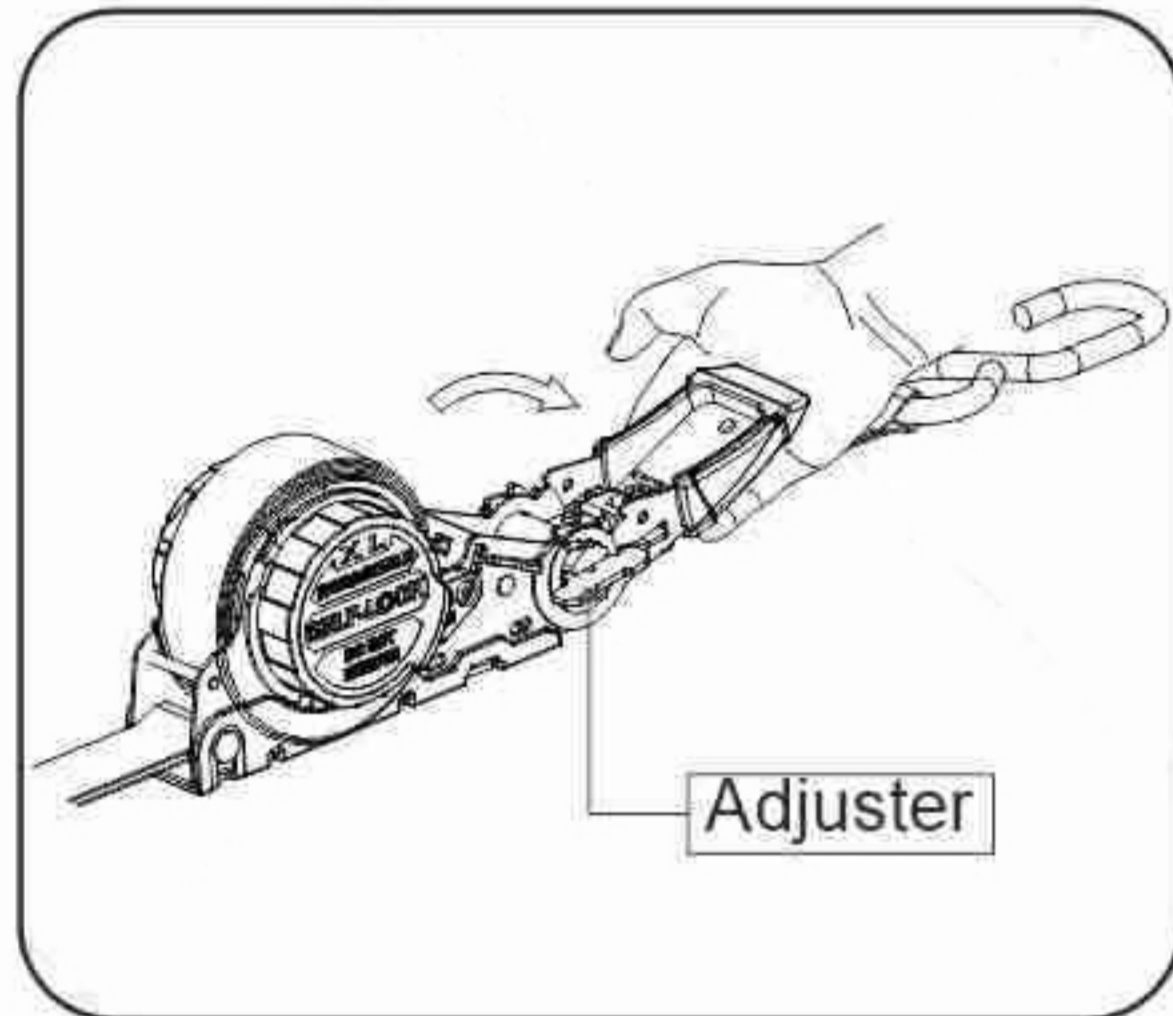
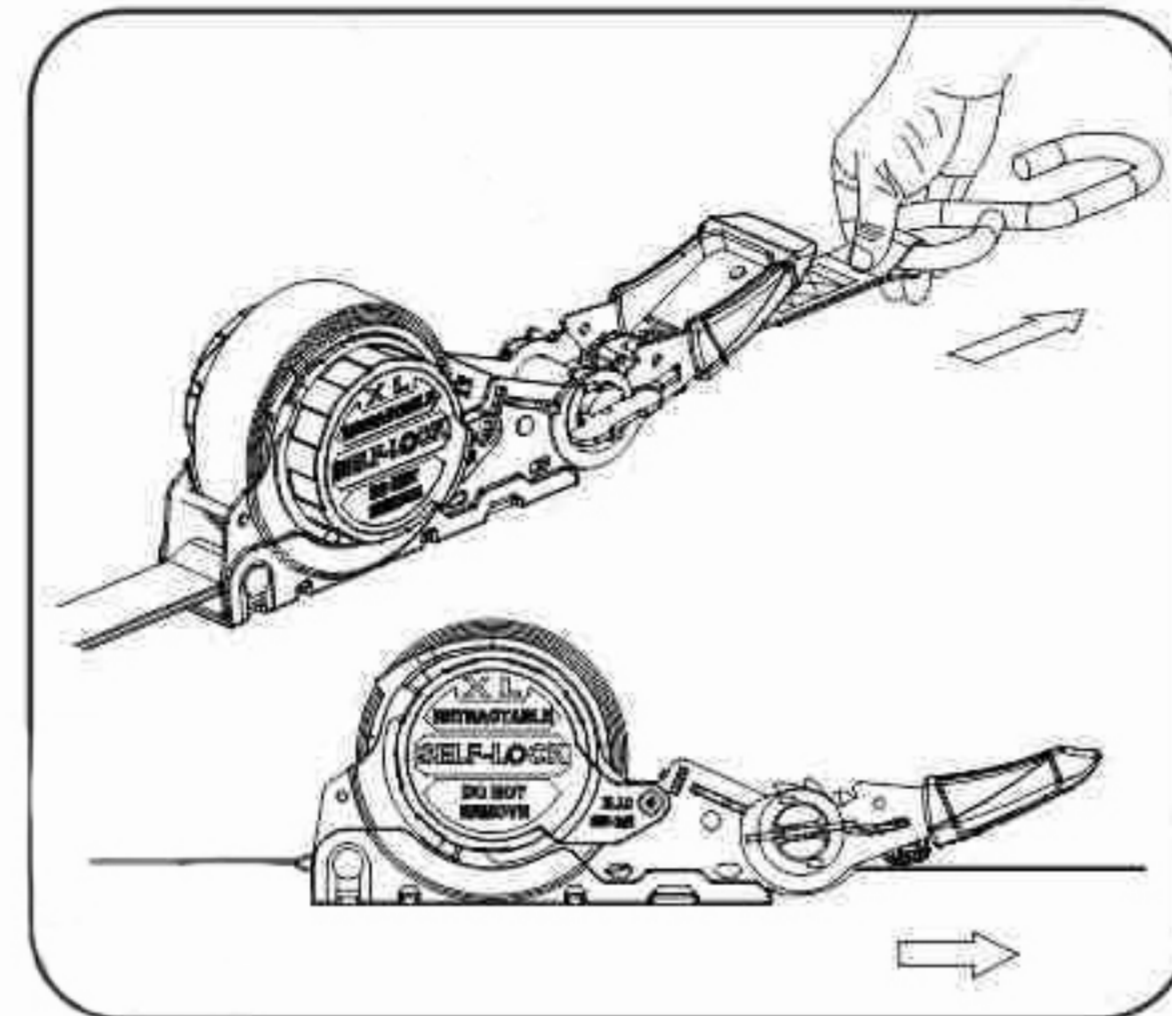


Self-Lock Retractable Ratchet Straps

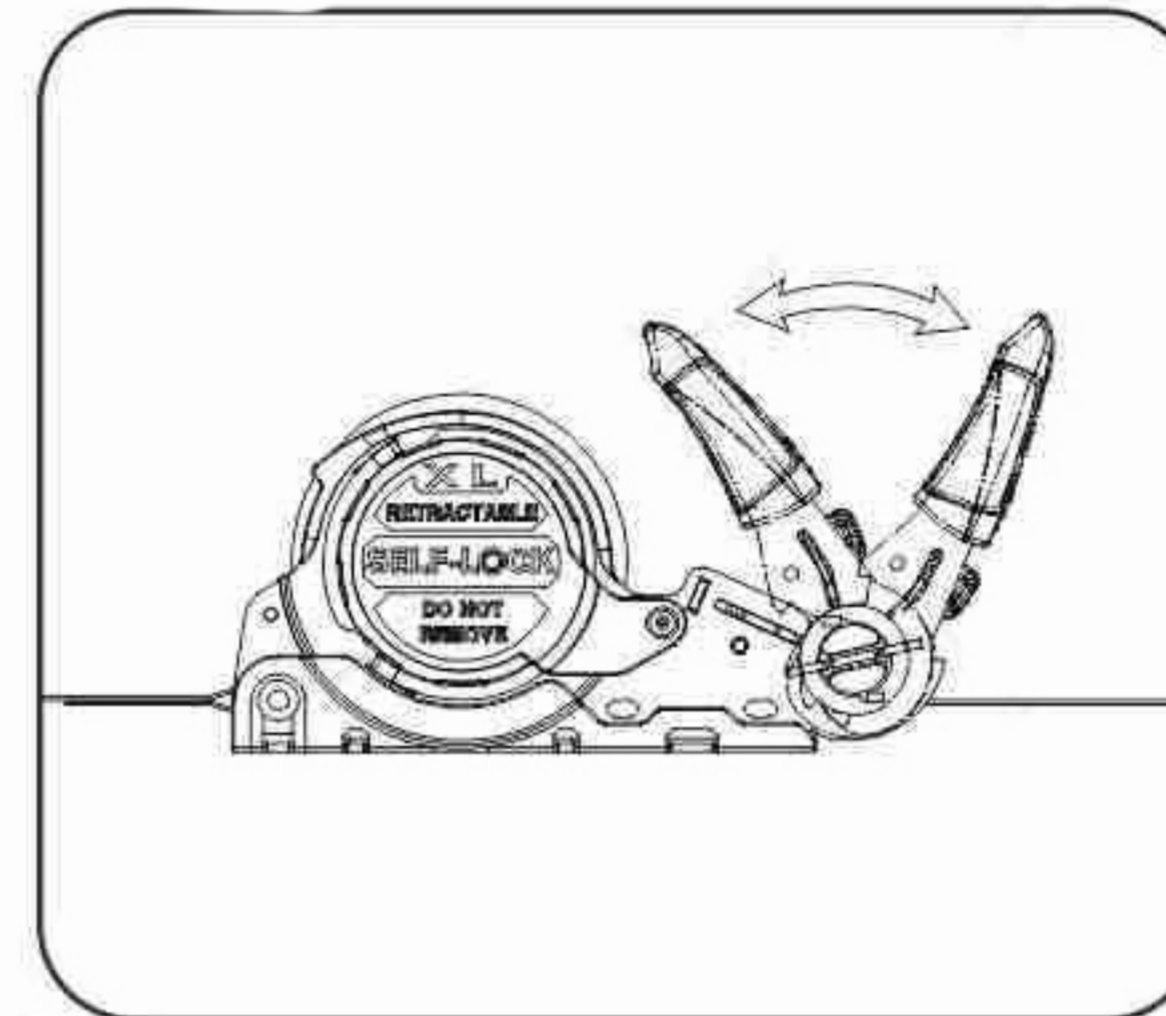
Operation Instruction



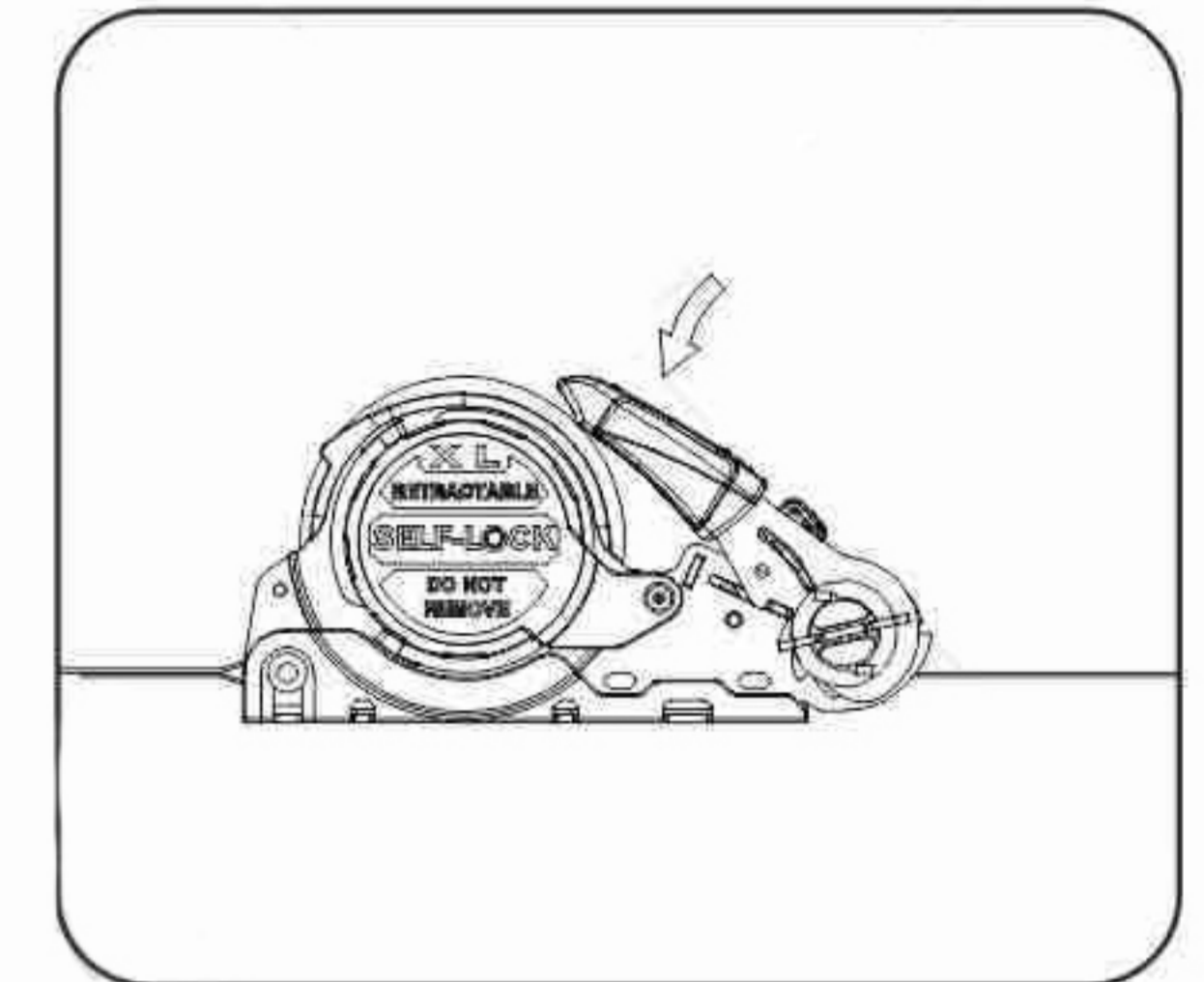
1. Open ratchet handle to release position, turn the adjuster manually, be sure the center shaft is parallel with the webbing



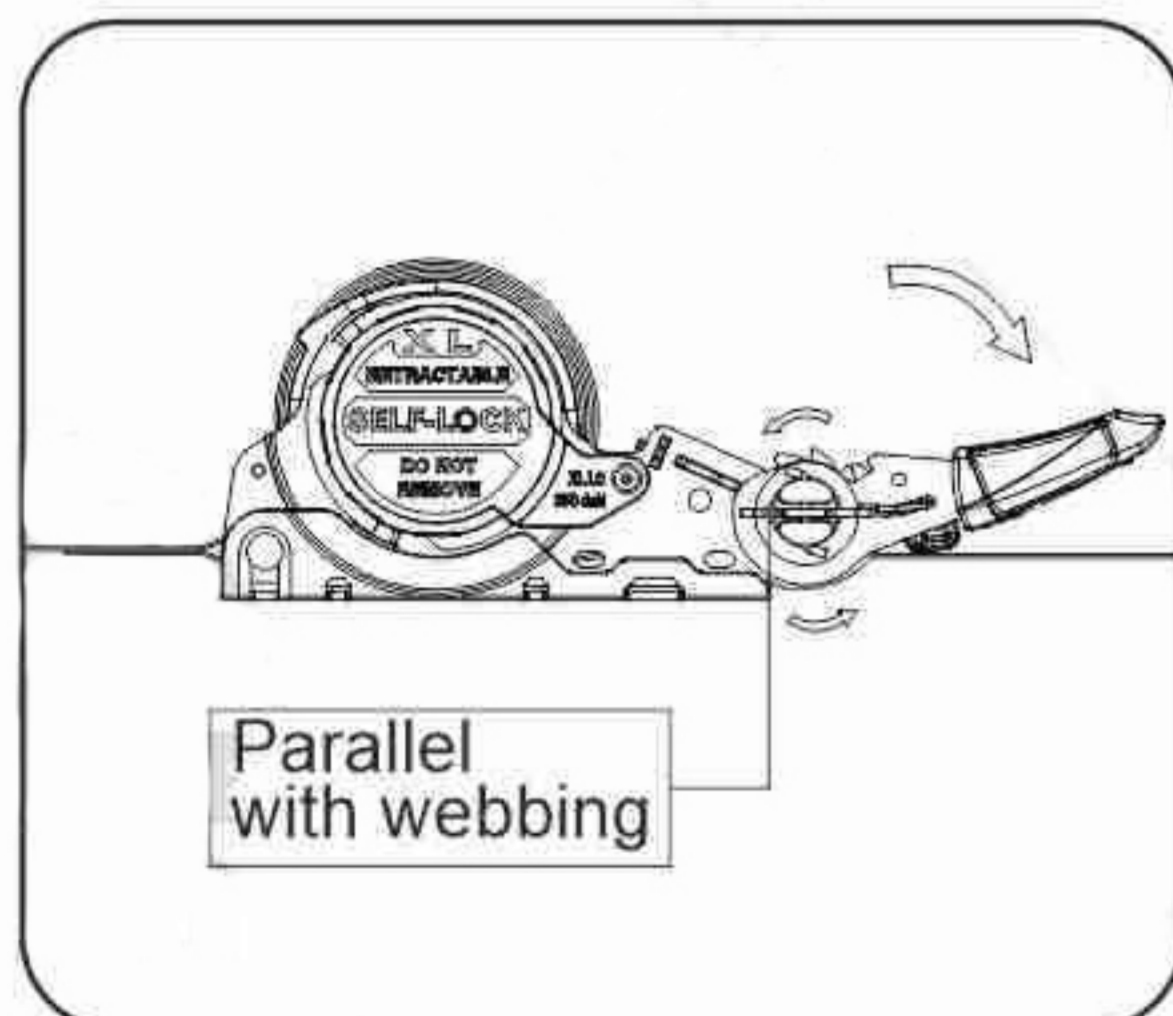
2. Pull out webbing & hook on the anchor point



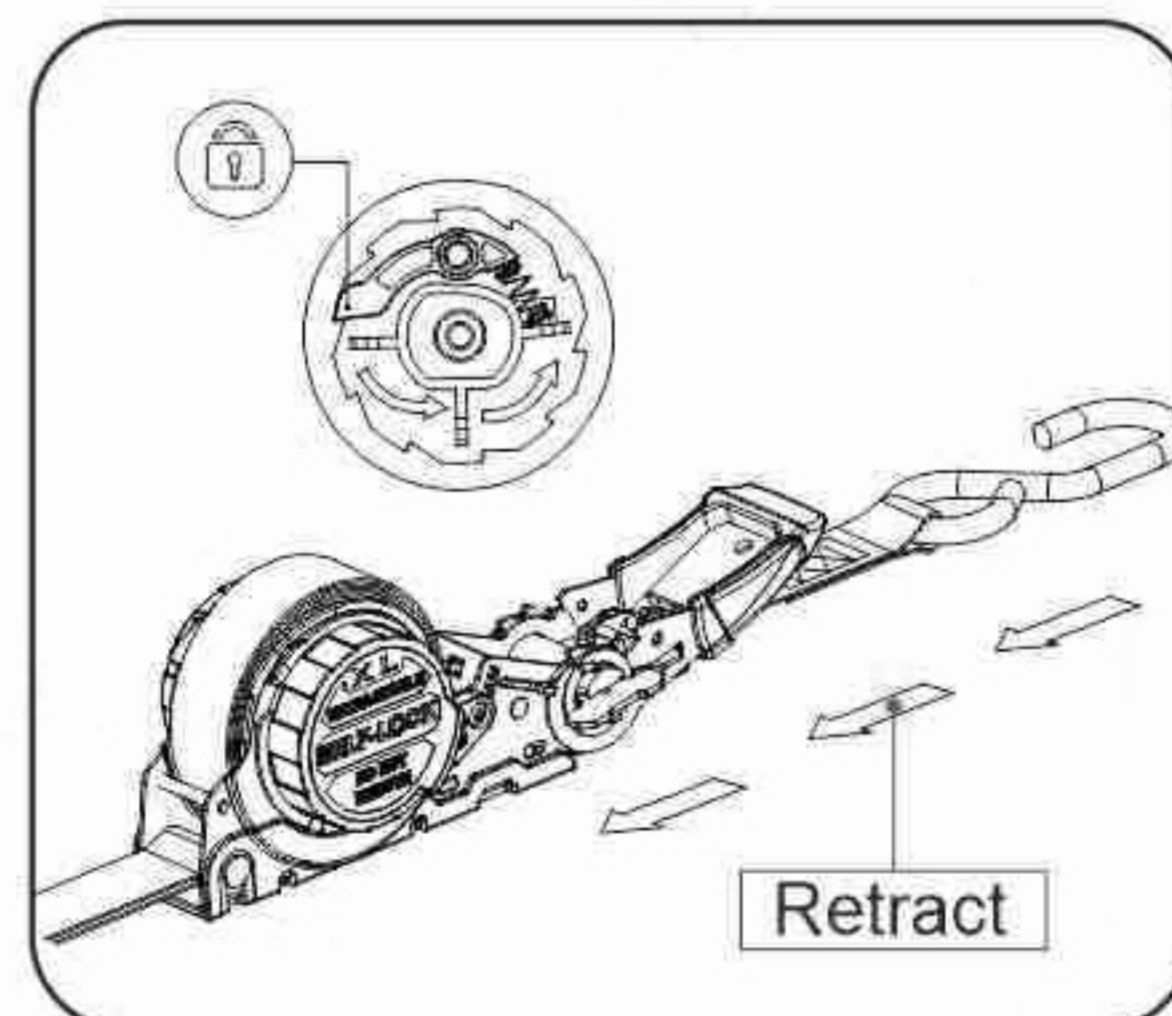
3. Move ratchet handle back and forth to tighten webbing



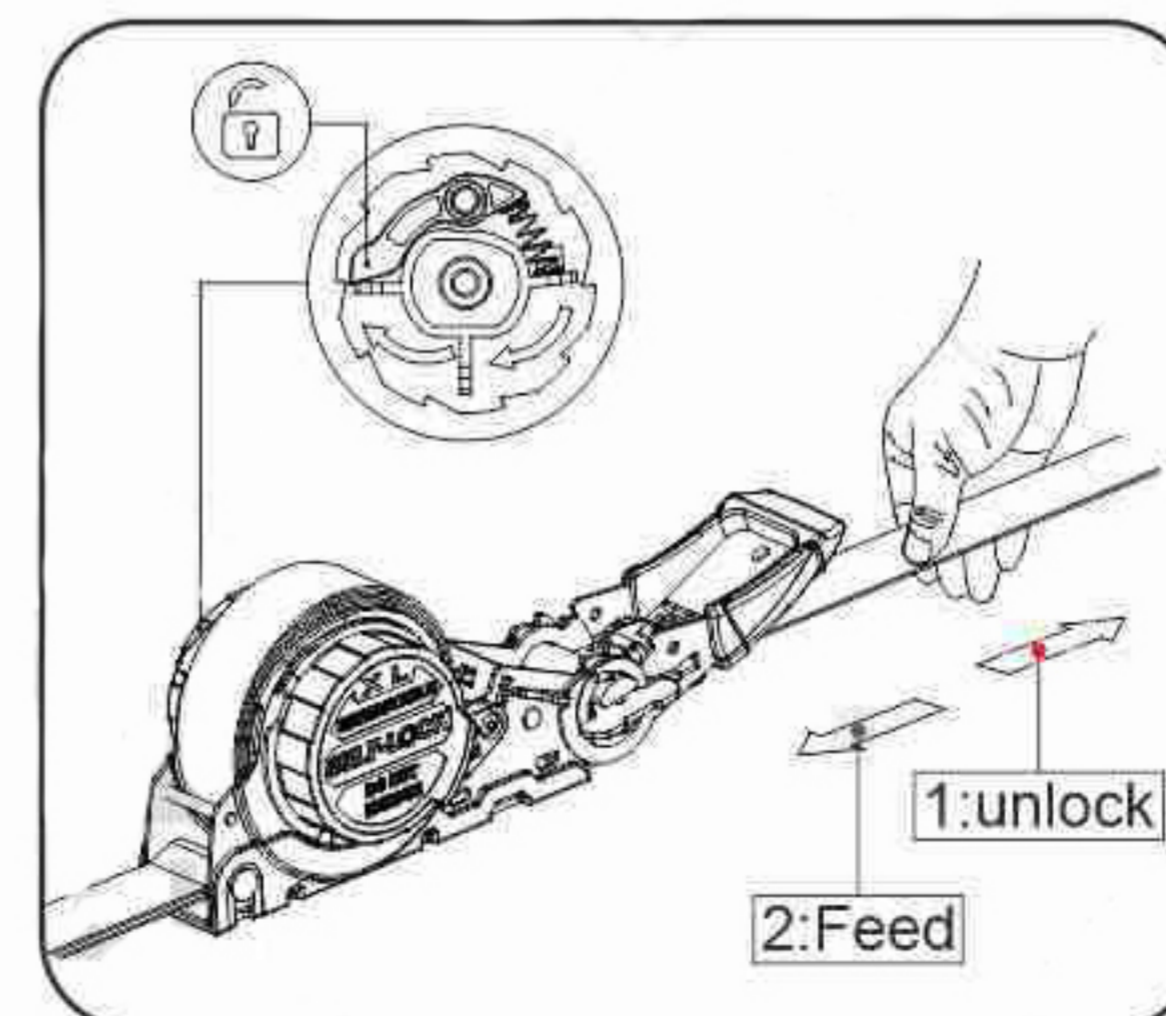
4. Close ratchet handle fully for safe transport



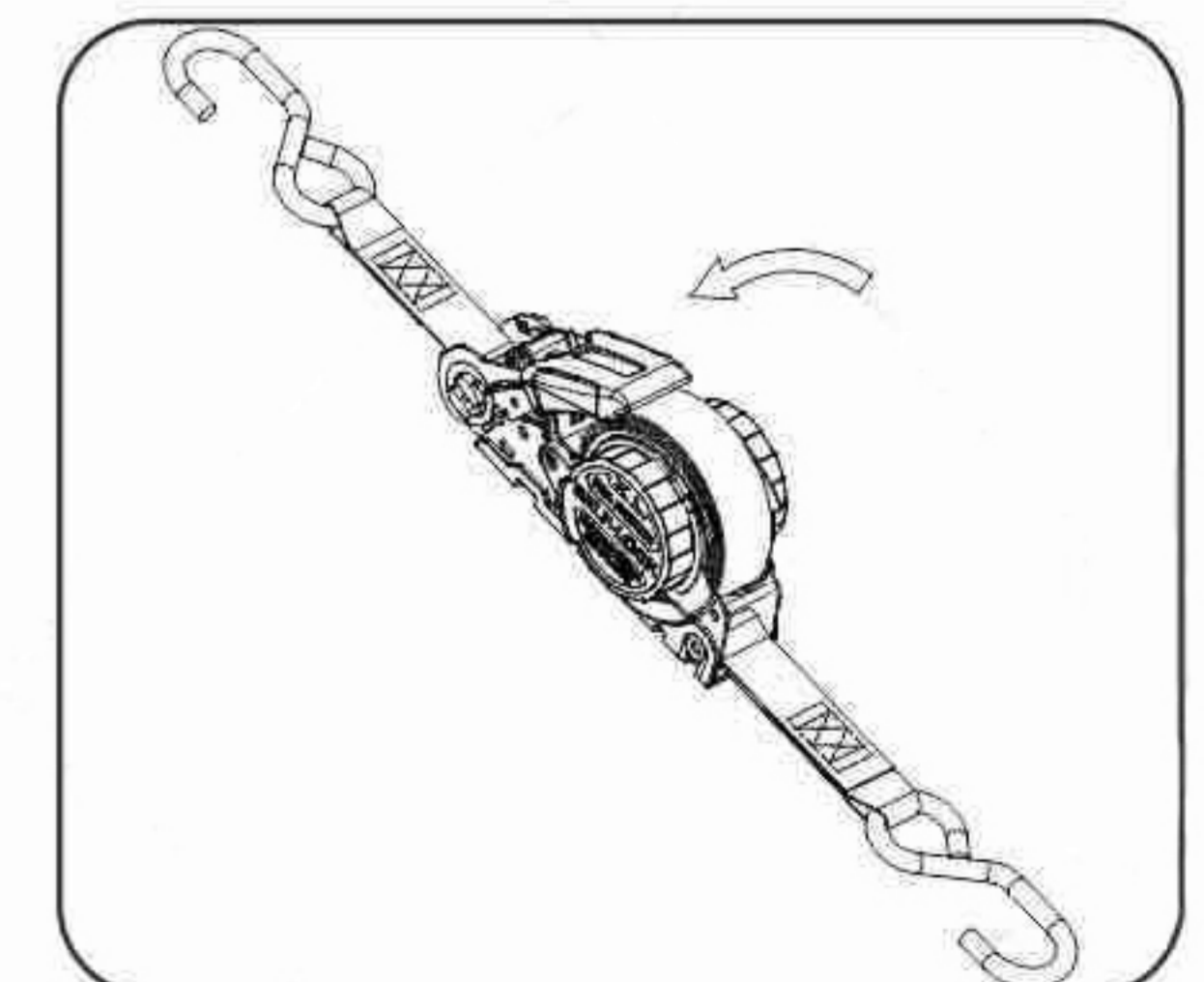
5. Open ratchet handle to release position to loosen webbing, be sure the center shaft is parallel so the webbing could retract smoothly



6. While the webbing retract back too fast, the self-lock device will be active automatically



7. Slightly pull webbing out a little bit to unlock the self-lock device, then feed the webbing into the housing under controlled speed



8. Close ratchet handle, well storage for next using