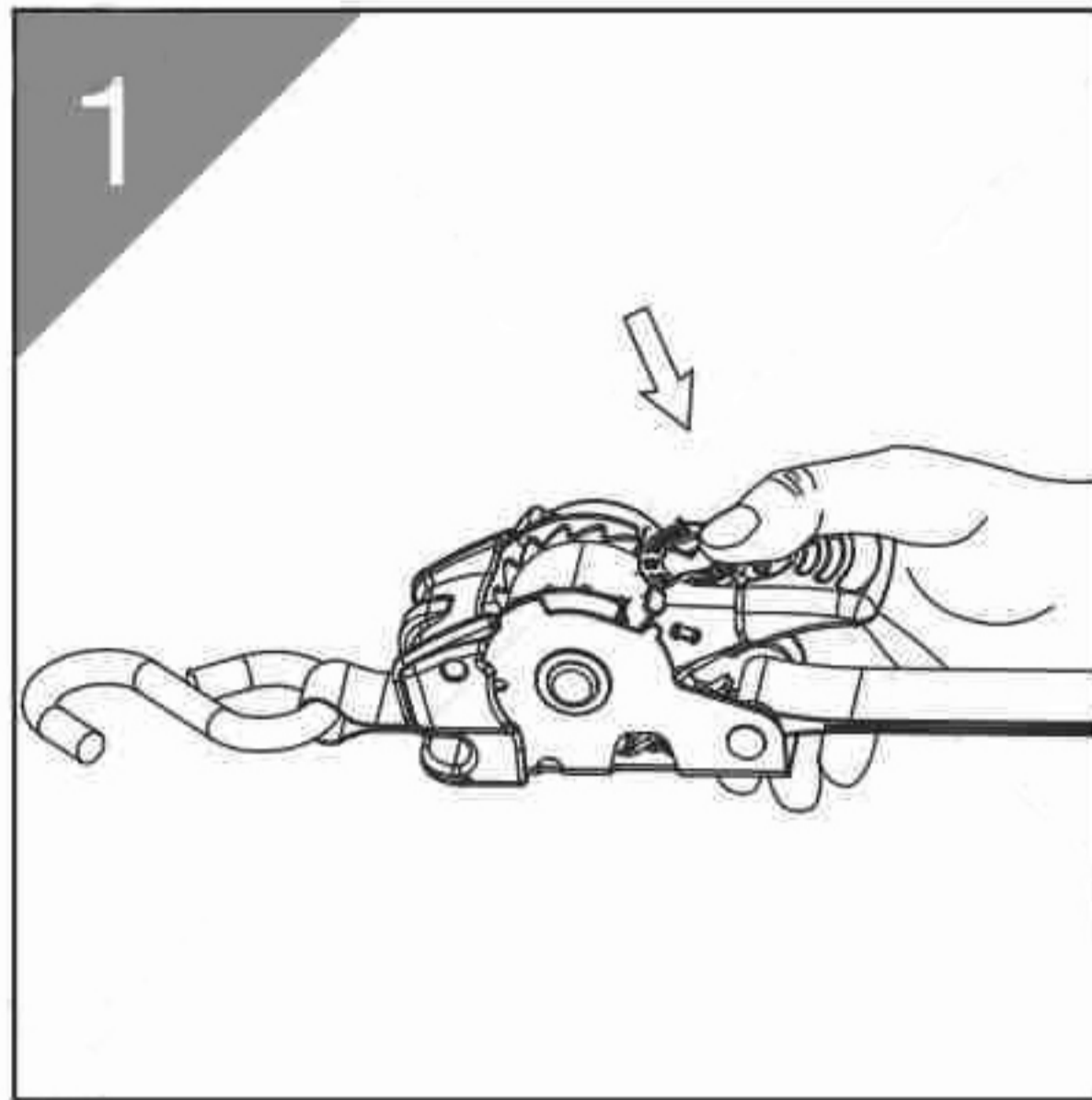
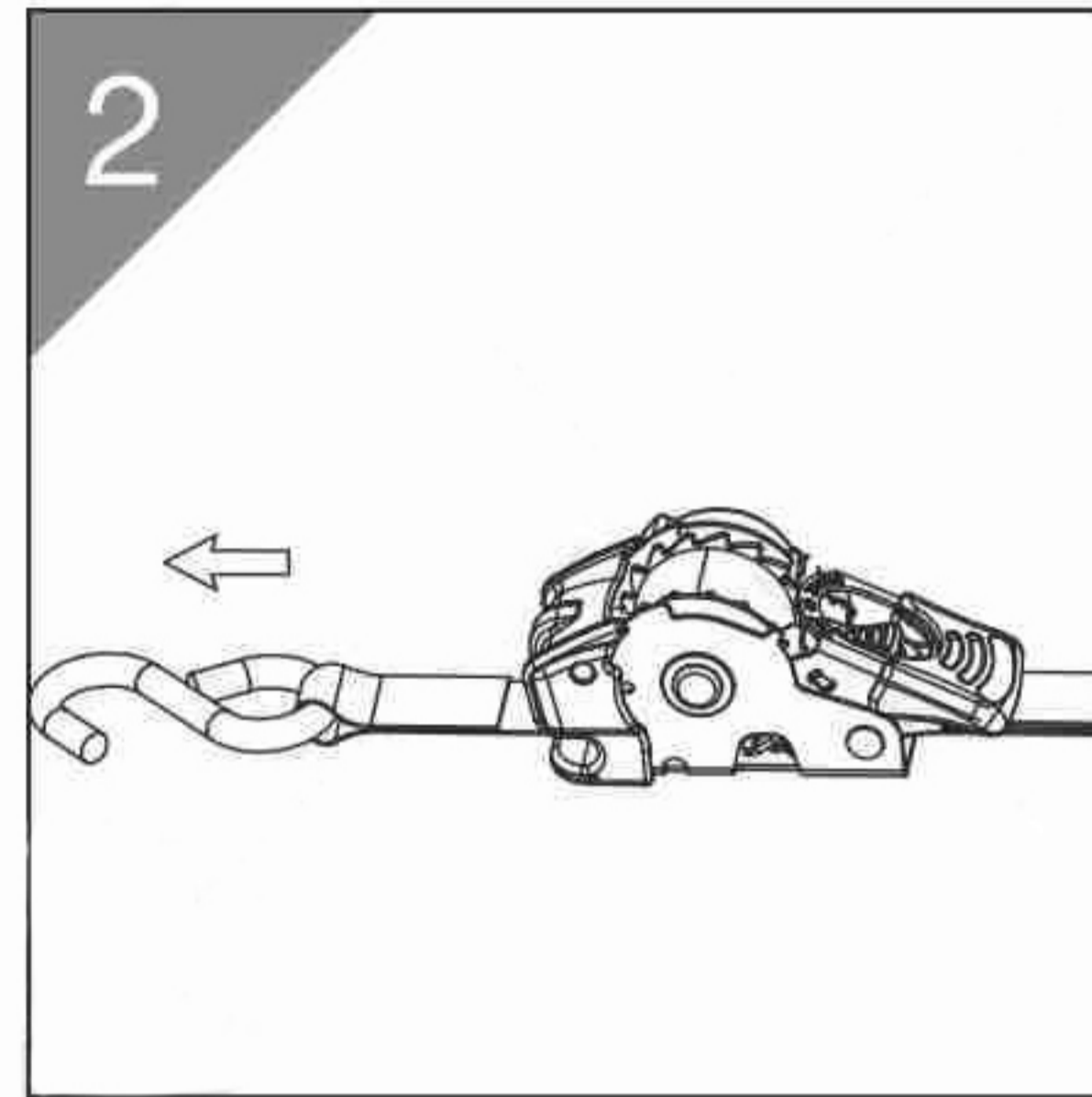


XL RETRACTABLE RATCHET

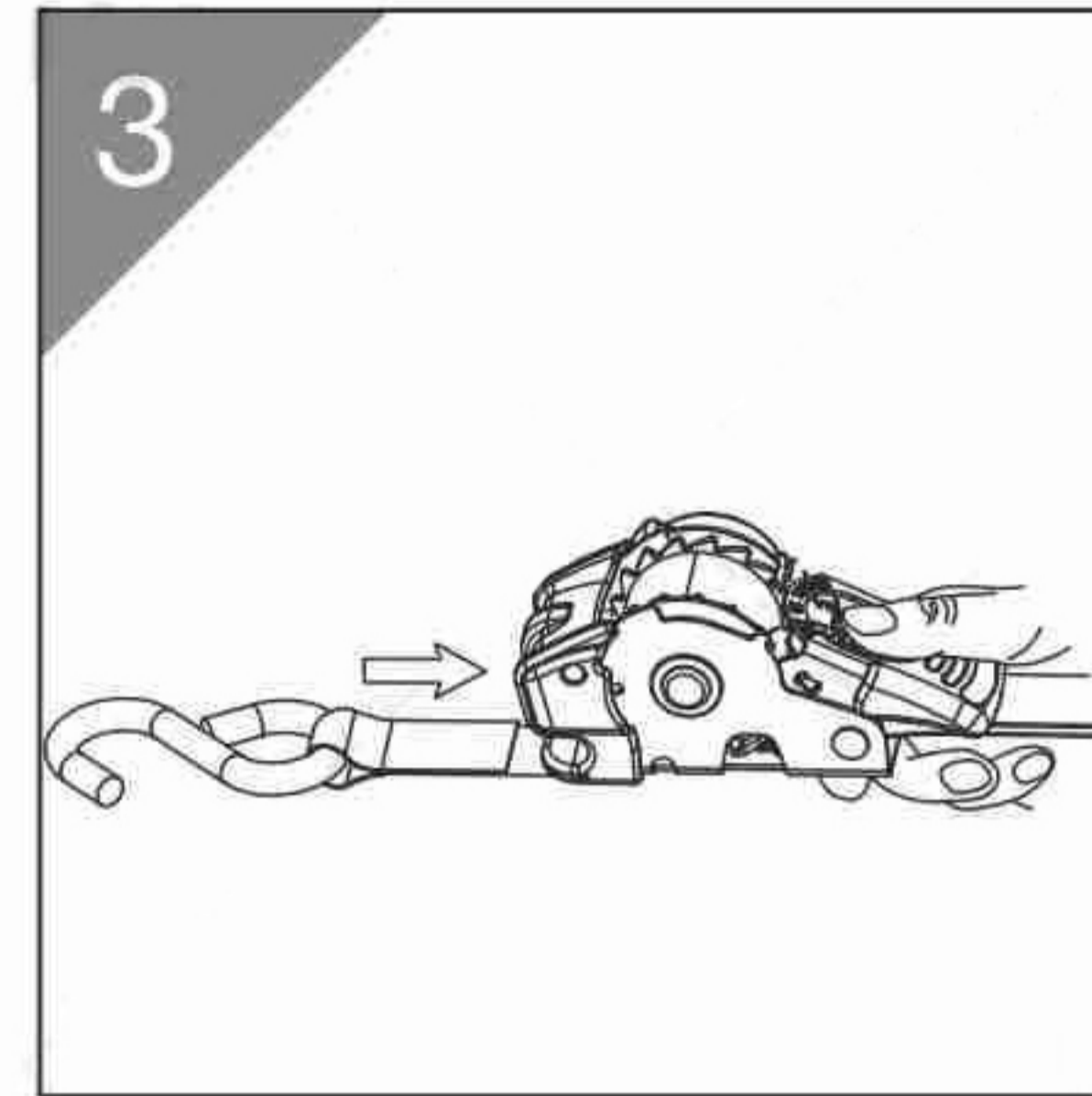
Operation Instruction



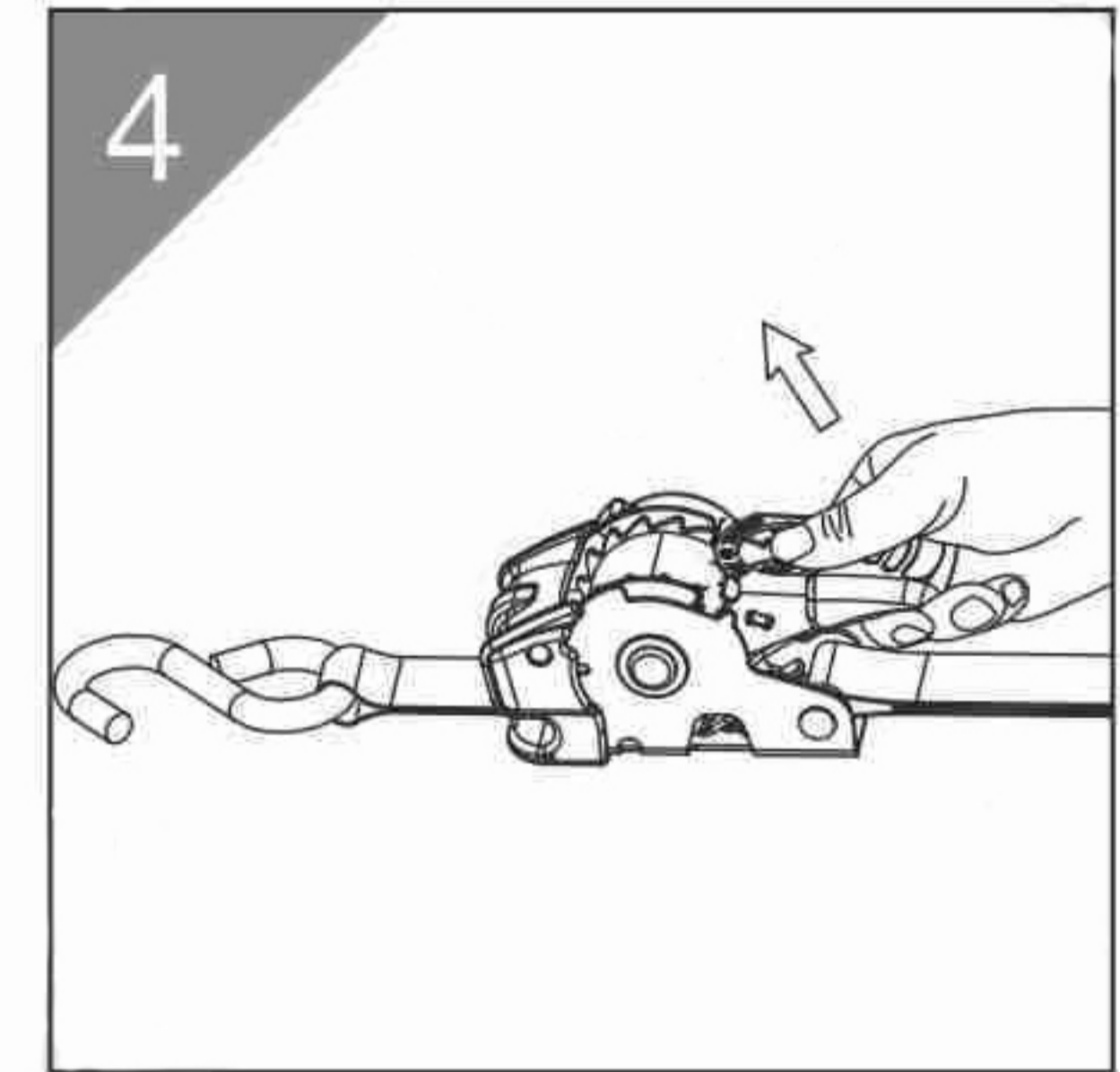
1. Press the button and the handle to release position



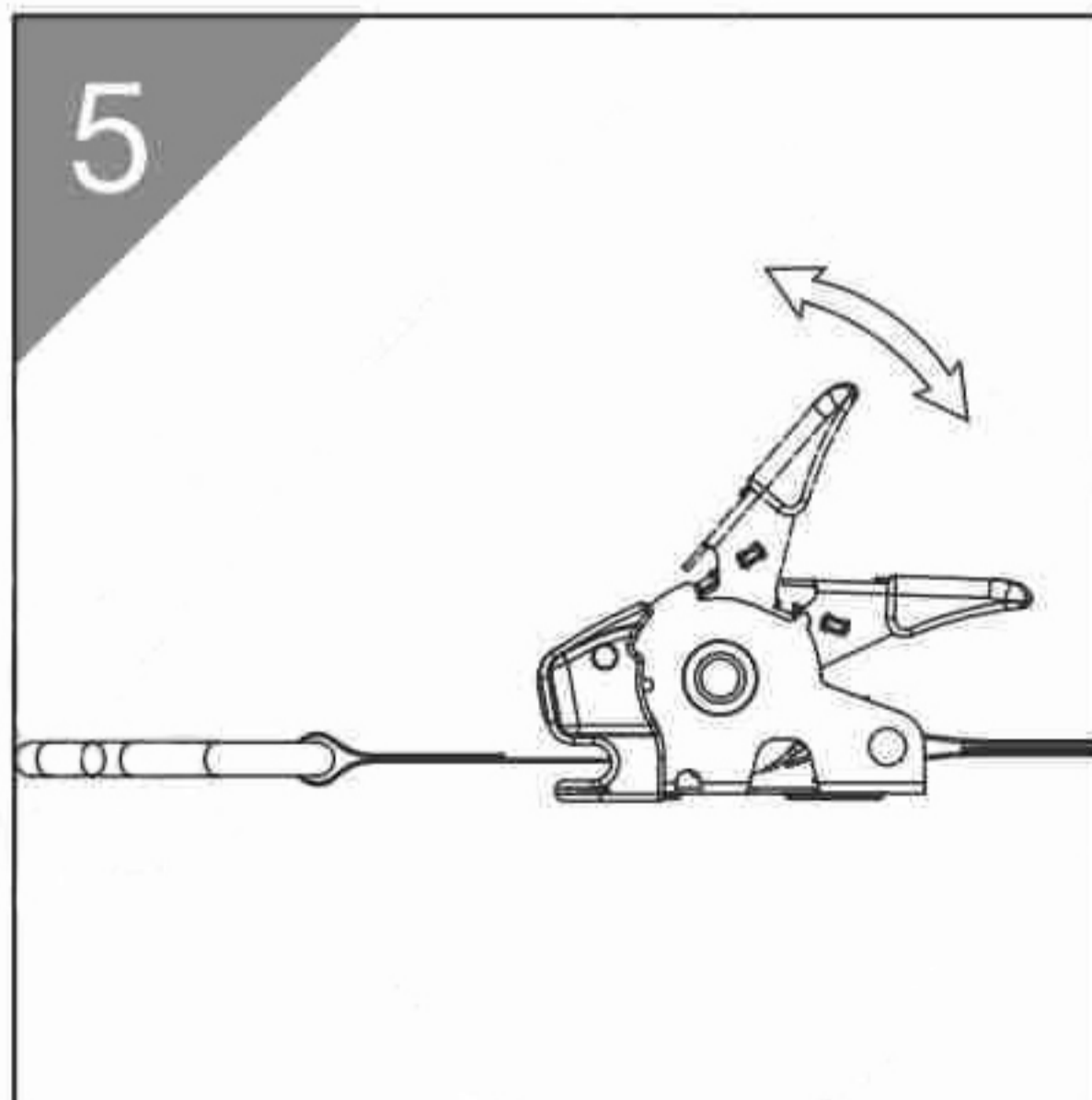
2. Pull out the webbing and hook



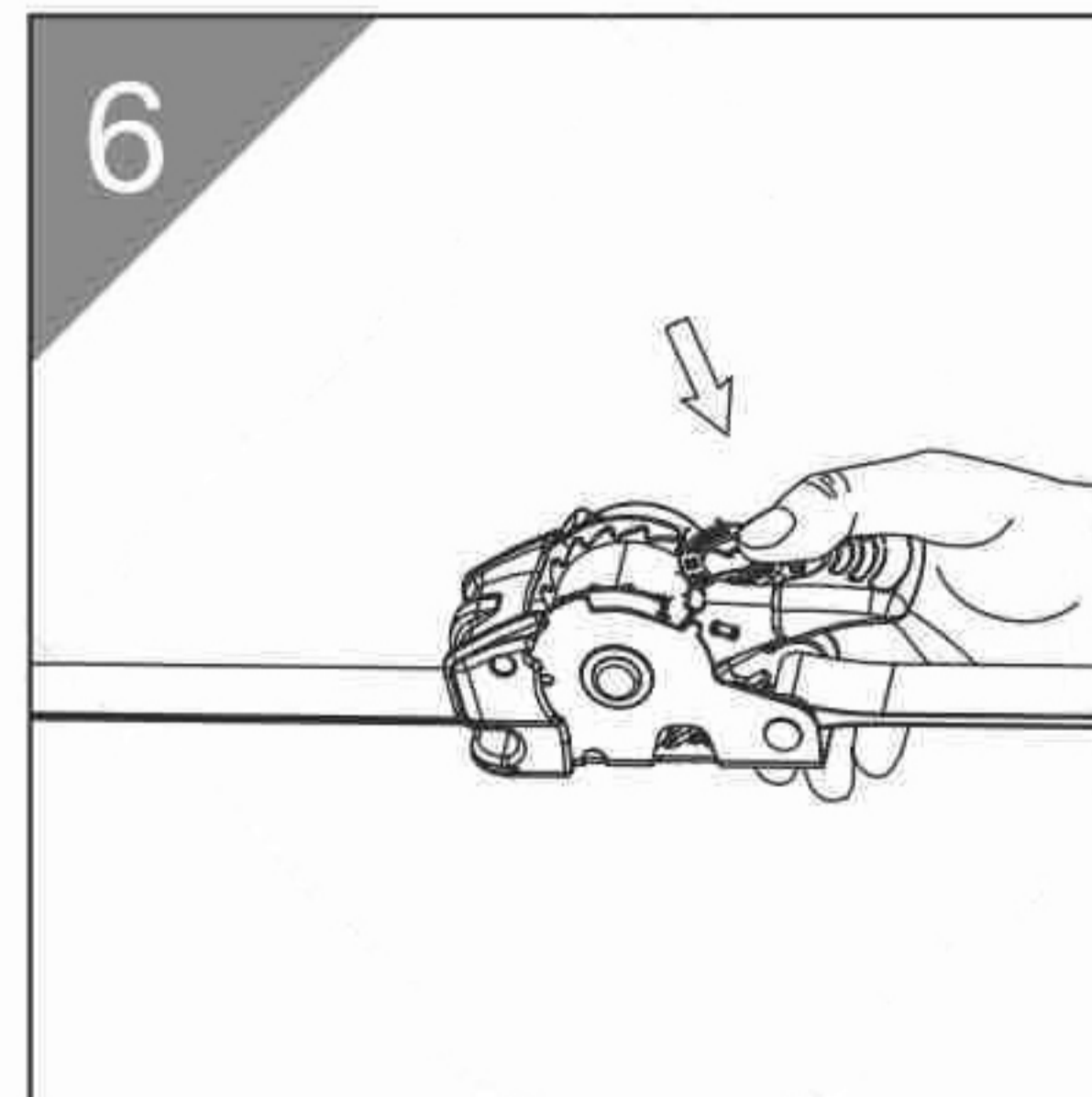
3. Press the button to pre-tension



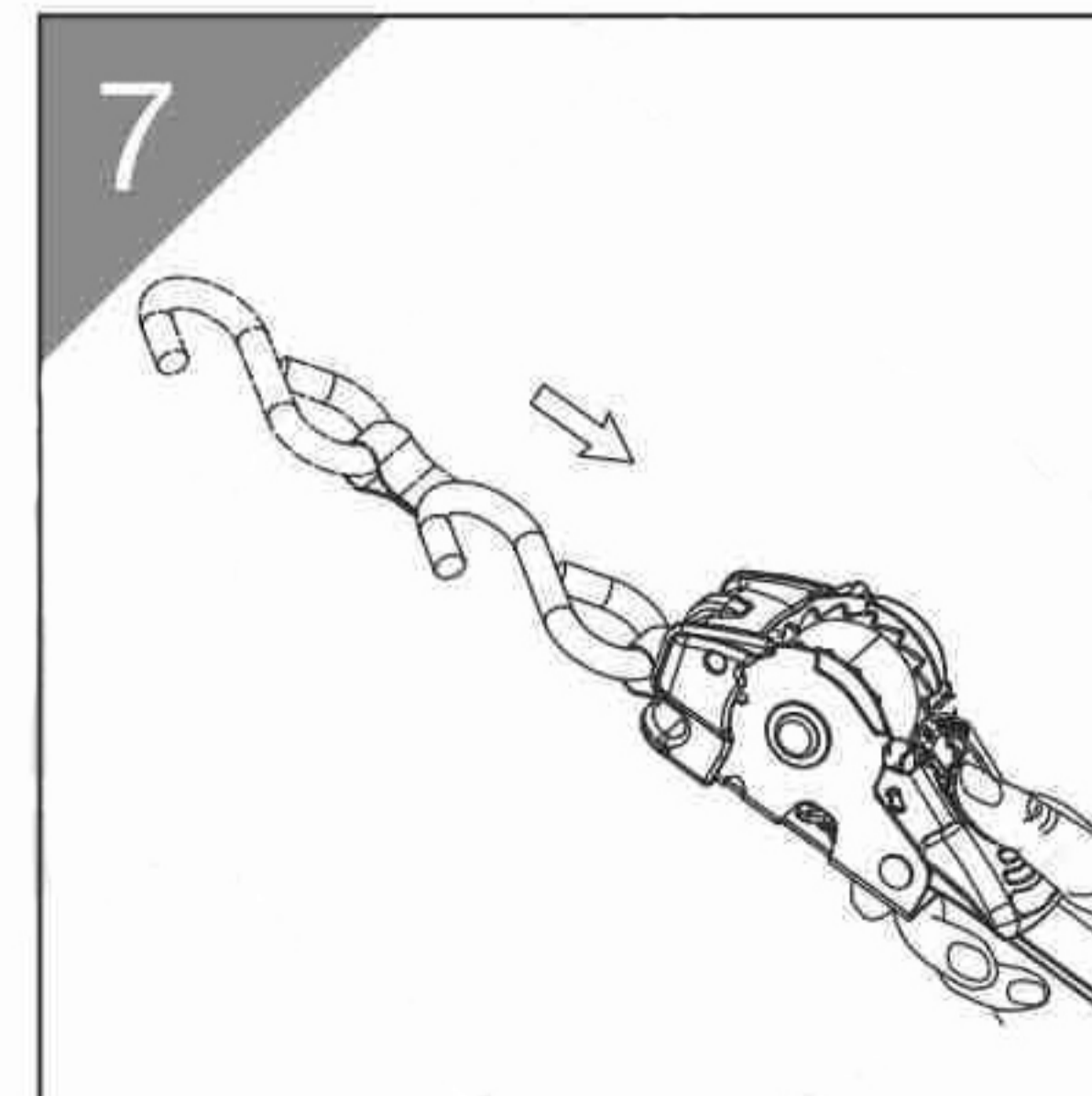
4. Press the button and move the handle up



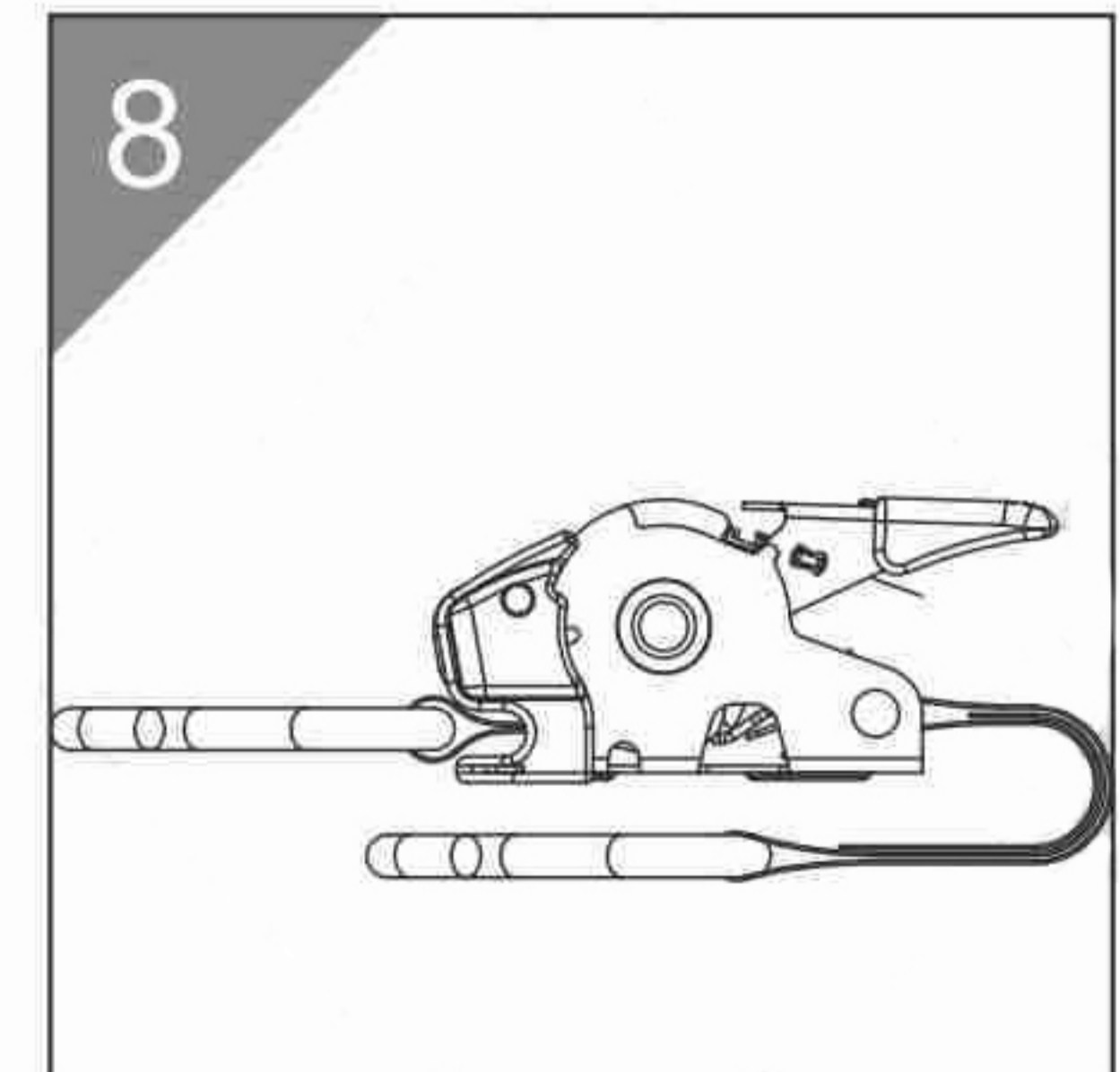
5. Ratchet and lock



6. Press the button and handle to release



7. Click the button to retract the webbing with controlled speed



8. Complete retract for storage