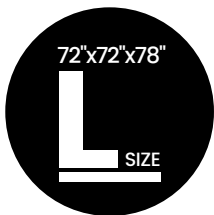
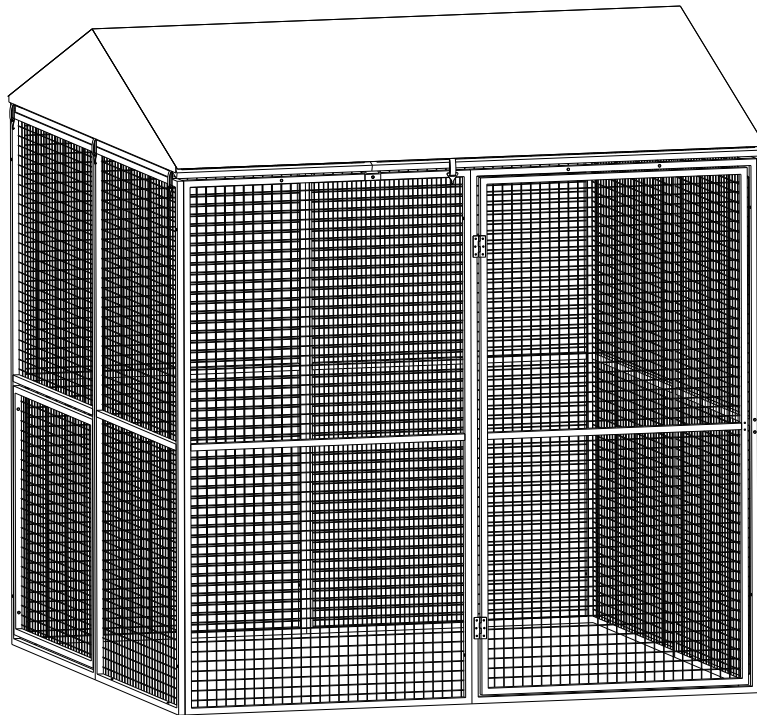




SKU#: 22202

Multi Functional Enclosure with Cover



ASSEMBLY MANUAL



TOOLS REQUIRED FOR ASSEMBLY
(not included)

NOTES



CHECK EVERY PARTS BASED ON THE PARTS LIST BEFORE ASSEMBLY. CONTACT CUSTOMERSERVICE@PETGAZEBO.COM FOR ANY PARTS MISSING, BROKEN OR DAMAGED.



FASTEN SCREWS LOOSELY DURING INITIAL ASSEMBLY. DO NOT FULLY TIGHTEN SCREWS UNTIL THE ITEM IS COMPLETELY ASSEMBLED.



BE AWARE THAT SOME PARTS ARE HEAVY AND HAVE SHARP EDGES.



BE AWARE THAT MOVING PARTS CAN INJURE, CRUSH AND CUT. WEARING GLOVES IS STRONGLY RECOMMENDED.



PLEASE RETAIN THESE INSTRUCTIONS FOR FUTURE REFERENCE.

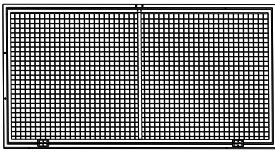


WARNING

Manufacturer and seller expressly disclaim any and all liability for personal injury, property damage or loss, whether direct, indirect, or incidental, resulting from the incorrect attachment, improper use, inadequate maintenance, or neglect of this product.

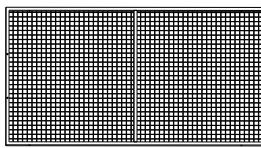
PARTS LIST

①



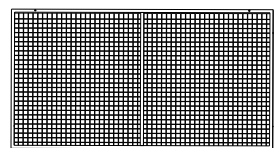
Door Panel -1pc

②



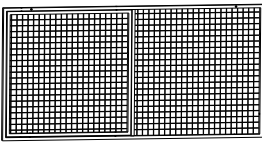
Side Panel 1 -3pcs

③



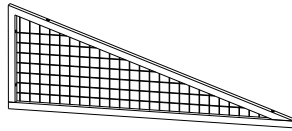
Side Panel 2 -3pcs

④



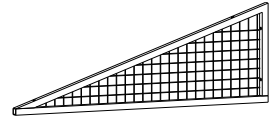
Side Panel 3 -1pc

⑤



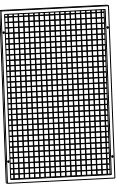
Triangle Panel - Right
2pcs

⑥



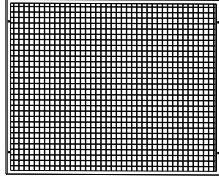
Triangle Panel - Left
2pcs

⑦



Roof Panel 1
2pcs

⑧



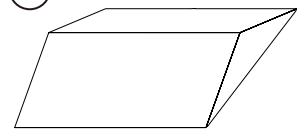
Roof Panel 2
2pcs

⑨



Roof Panel Support
2pcs

⑩



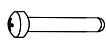
Canopy
1pc

⑪



Door Latch
1pc

⑫



M6x80 Bolt
1pc

⑬



M6x50 Bolt
19+1pcs

⑭



M6x35 Bolt
28+1pcs

⑮



M6x12 Bolt
2pcs

⑯

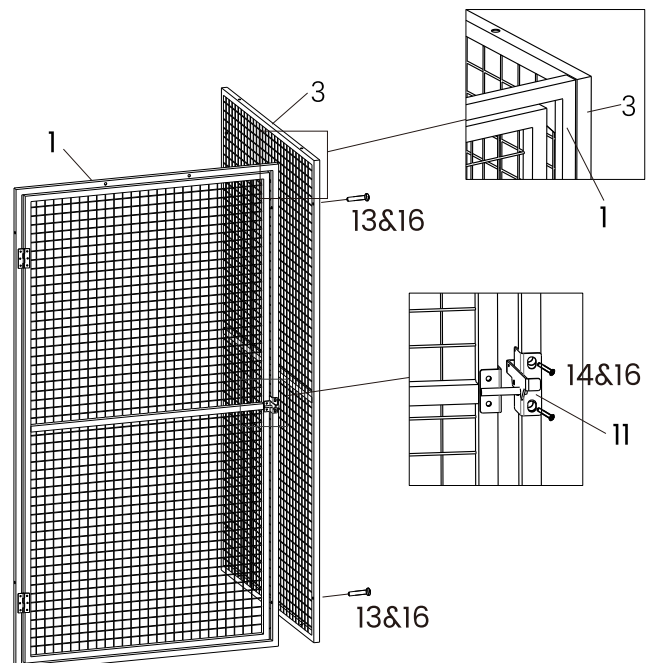


M6 Nut
26+2pcs

ASSEMBLY

STEP 1 ►

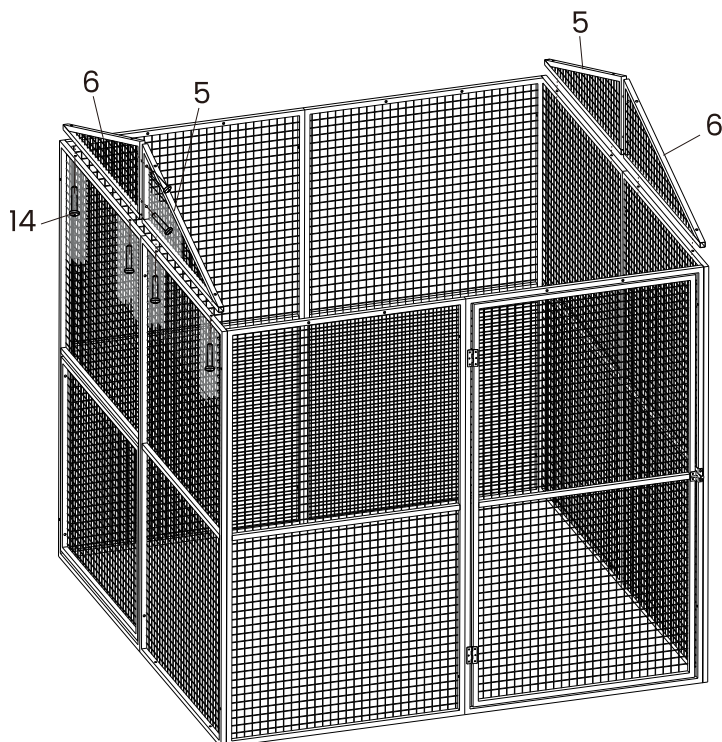
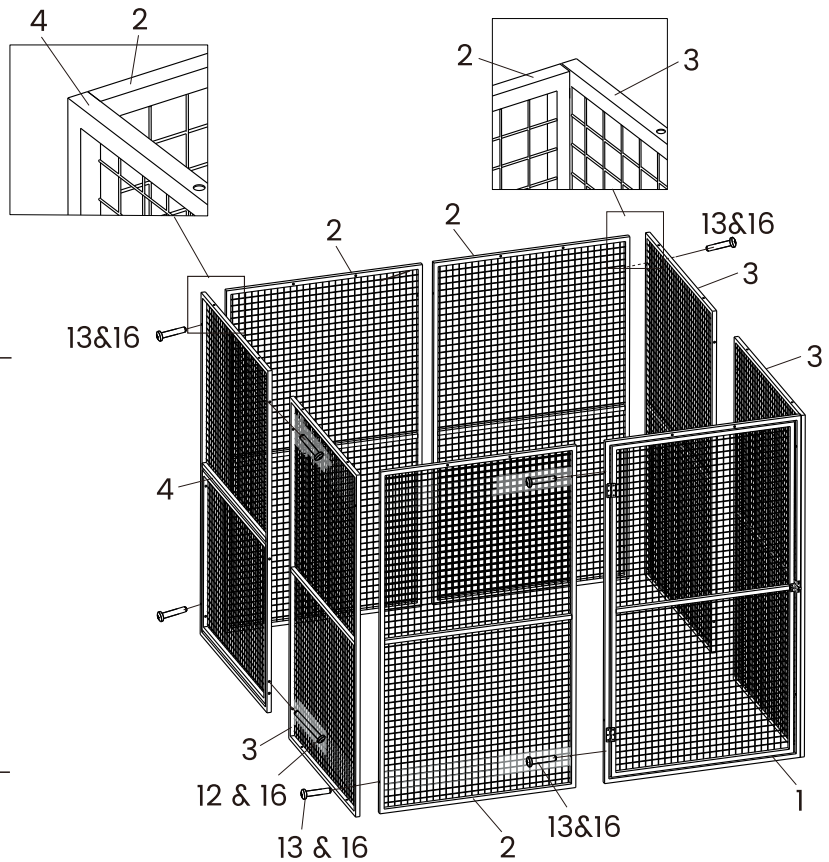
- Install the door latch (#11) on the Door Panel (#1) using the pre-drilled holes and two Bolts (#14) and Nuts (#16).
- Connect Door Panel (#1) and Side Panel 2 (#3) together with two Bolts (#13) and Nuts (#16).



ASSEMBLY

STEP 2 ▶

- Assemble Panels #2, #3, and #4 in the order shown in the diagram, using Bolts (#13) & Nuts (#16), and Bolt #12.
- Please keep in mind that the long Bolt #12 must be used between two Panels (#4 & #3), bottom part.



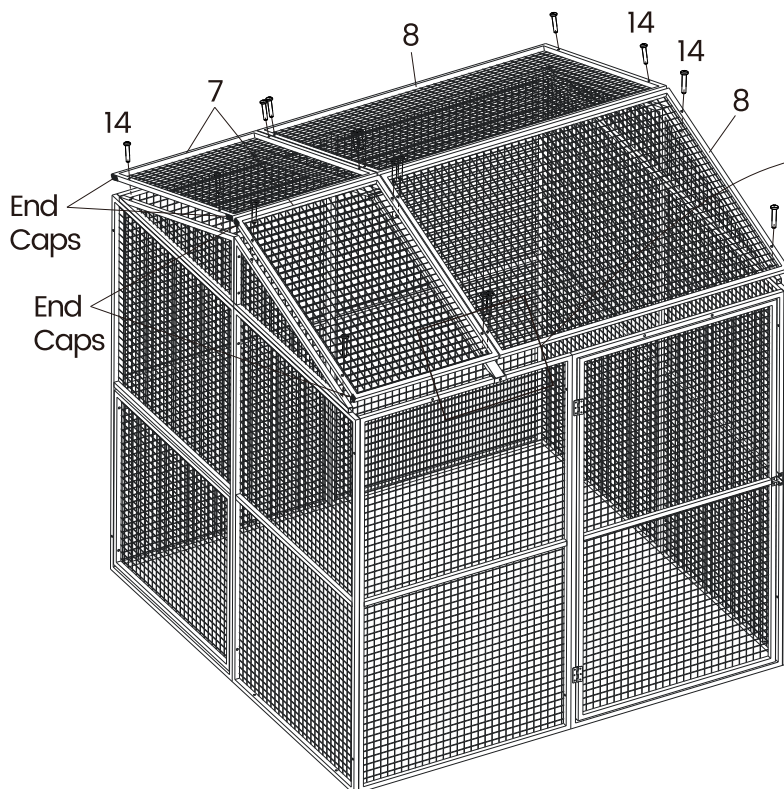
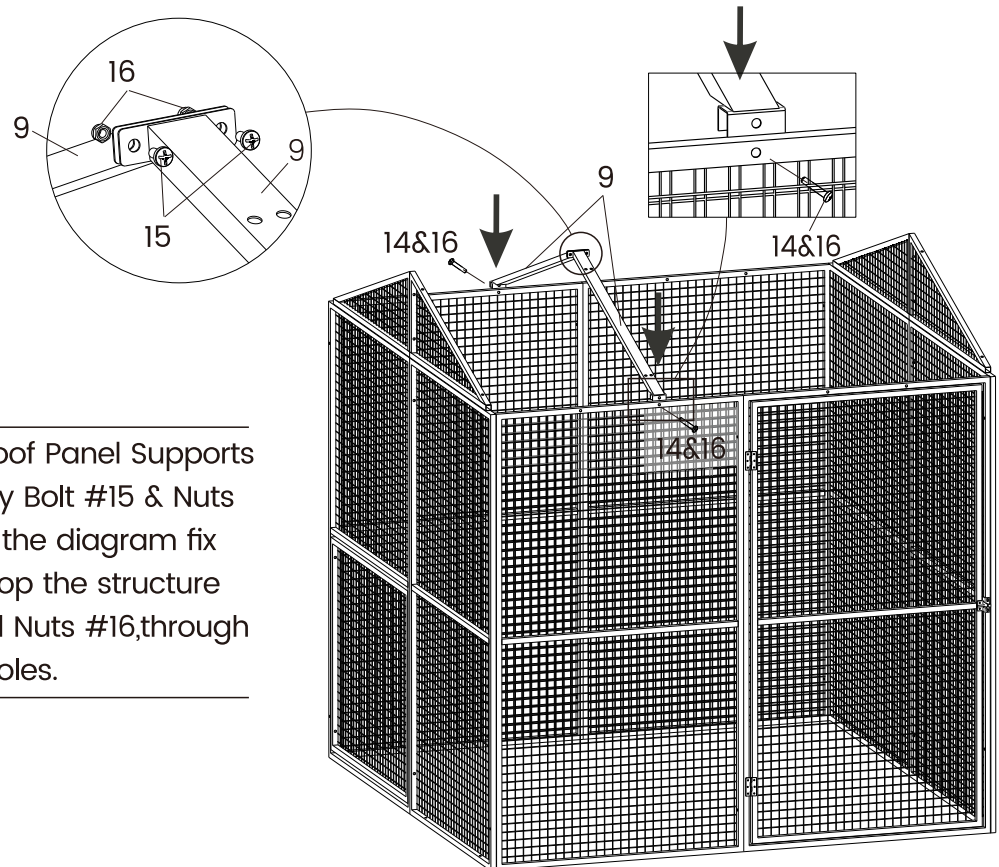
STEP 3 ◀

- Following the diagram below, use Bolt (#14) to attach the Triangle Panels (#5 & #6) on top of the constructed frame.
- Connect Triangle Panels (#5 & #6) together, using Bolts #13 and Nuts #16, through pre-drilled holes.

ASSEMBLY

STEP 4 ►

- Connect 2pcs Roof Panel Supports (#9) together by Bolt #15 & Nuts #16. Then follow the diagram fix the Support on top the structure by Bolts #14 and Nuts #16, through the pre-drilled holes.



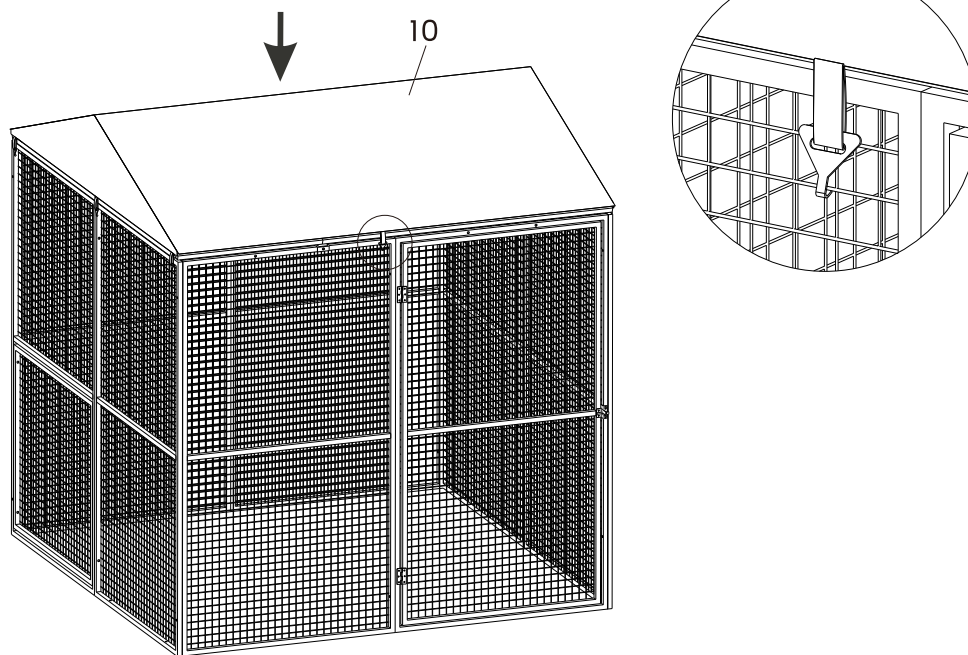
STEP 5 ◀

- Assemble the Roof Panels (#7 & #8) on top using the Bolt (#14) through the pre-drilled holes.
- Please remember to put the panels sides with End Caps facing outside.

ASSEMBLY

STEP 6 ▼

- Unfold the Canopy (#10), place it on top of the cage, and secure it to the cage using the sewed hooks.



The assembly is now complete.