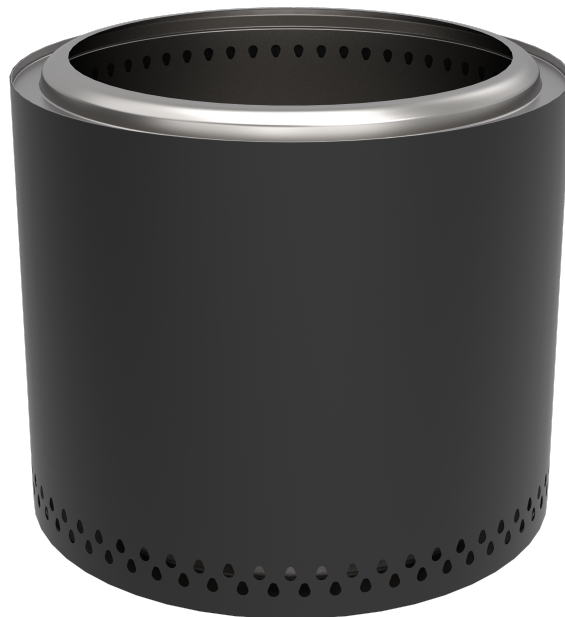




19" Stainless Steel Smokeless Fire Pit
Assembly Instruction & User Manual
SKU: 2A-OH127



For Outdoor Use Only

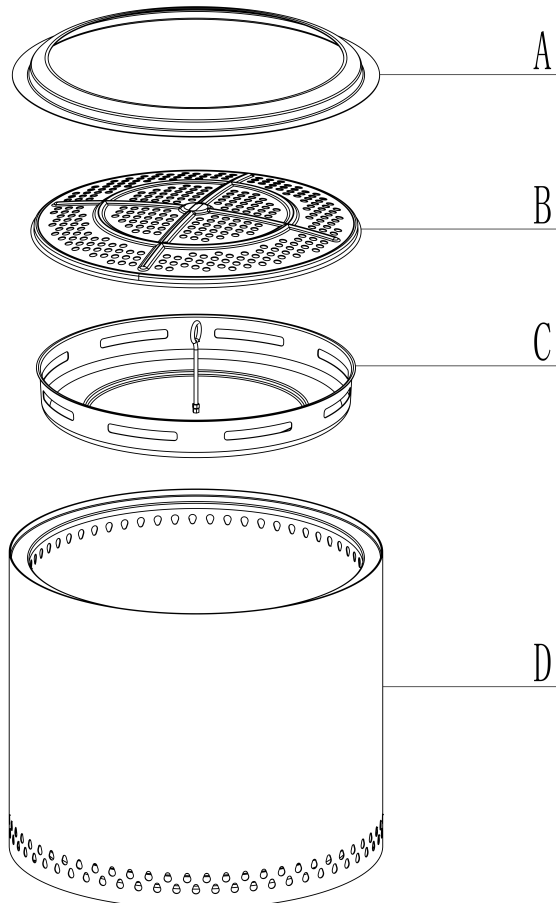
- This instruction manual contains important information necessary for the proper assembly and safe use of the appliance.
- Read and follow all warnings and instructions before using the appliance.
- Follow all warnings and instructions during operation.
- Keep this manual for future reference.

Warnings

1. Never leave the hot fire pit unwatched.
2. Do not move or touch the unit during use.
3. Do not put away the fire pit until it has cooled down.
4. It is very hot! Keep children and pets away from the fire pit during use.
5. Never leave the fire pit out in the rain without a cover, the rain will mix with the ash to form corrosive agents.
6. DO NOT use water to extinguish as this is dangerous and can cause damage to this outdoor fire pit.
7. After completely cooling naturally, take off the Guide Ring and sweep ash on Base Plate into Ash Pan. Do not lift Base Plate directly to avoid ash fall into body mezzanine and make clean-up difficult.
8. Always use this fire pit on a hard level non-combustible surface such as concrete, rock or stone. An asphalt or blacktop surface may not be acceptable for this purpose. DO NOT use on carpet, grass, and wooden decks or furniture.
9. This item is for outdoor use only, and shall NOT be used in a building, garage or any other enclosed area.
10. DO NOT use this fire pit for indoor heating. TOXIC carbon monoxide fumes can accumulate and cause asphyxiation or death.
11. This fire pit is NOT to be used in or on boats or recreational vehicles.
12. DO NOT store or use gasoline or other flammable vapors or liquids in the vicinity of this or any other appliance.
13. DO NOT store or use an LP gas cylinder within 10 feet (3.05 m) of this fire pit while it is in operation. The fire pit should be placed no closer than 28 inches from walls during use.
14. DO NOT use this fire pit under an overhead or near any unprotected combustible constructions. Avoid using near or under overhanging trees and shrubs.
15. Always empty this fire pit before each use.
16. DO NOT use gasoline, kerosene, and diesel fuel, lighter fluid to start or relight fires.
17. Keep all electrical cords away from a hot fire pit.
18. Use long, sturdy fire pit tools when adding or moving logs.
19. DO NOT lean over this fire pit when lighting or when in use.
20. This fire pit should be thoroughly inspected and cleaned on a regular basis.
21. Death, serious injury or damage to property may occur if the above is not followed exactly.

Parts List

No.	Description	Qty.
A	Guide Ring	1
B	Removable Base Plate	1
C	Ash Pan	1
D	Body	1



Note: Before beginning assembly of product, make sure all parts are present. Compare parts with package content list and hardware contents.

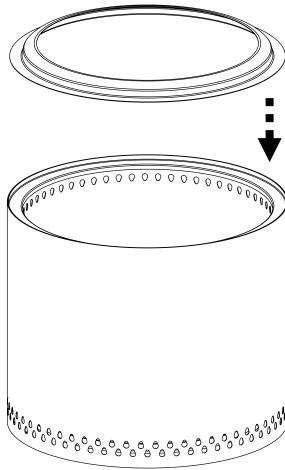
Installation Instruction

Step 1:

Removable Base Plate (B) and Ash Pan (C) are placed inside the fire pit shown in the picture firstly.

Step 2:

Put the Guide Ring (A) on top of the fire pit as below picture direction.



Step 3:

Put the wood in the fire pit.

Step 4:

Ignite the kindling block until the wood burns.

CAUTION

1. To avoid injury when lifting the fire pit, two or more people are required.
2. Wear gloves during assembly.

Care and Maintenance

Lighting

1. Make sure there is only a small amount of ash in the bottom of the bowl.
2. Place a layer of dry kindling or a natural fire-starter onto the center of the fire bowl.
3. Place above that a layer of dry seasoned hardwood that is no more than length of the bowl diameter.
4. Use a match to light kindling or fire-starter.

Tending the Fire

You may need to shift and/or add logs for an ideal experience.

DO NOT place hot fire pit tools onto combustible surfaces such as grass, wooden deck or furniture.

1. While using a long handled fire pit tool, shift coals and logs to allow additional airflow.
2. DO NOT add gasoline, kerosene, diesel fuel, lighter fluid or alcohol to relight or enhance an existing fire.
3. Wait until glowing coals have developed before adding any additional wood. If additional wood is required, place wood on top of coals, be careful not to shift ashes.

Extinguishing

1. Allow fire to burn itself out.
2. DO NOT use water to extinguish as this is dangerous and can cause damage to this outdoor fire pit.

Inspecting

This fire pit should be inspected on a regular basis to ensure product safety and longer product life.

DO NOT attempt to inspect this fire pit until the fire is COMPLETELY out and cool to the touch.

1. Check components for any signs of damage or rust.
2. If damage to any component is detected, do NOT operate until repairs are executed.

Cleaning

This fire pit should be cleaned on a regular basis to promote safer experiences and longer product life.

Note: After repeated use, a slight discoloration of the finish may occur.

DO NOT attempt to clean this fire pit until the fire is COMPLETELY out and cool to the touch.

DO NOT clean any part of this fire pit in a self cleaning oven as it may damage the finish.

1. Wipe exterior surfaces with a mild dishwashing detergent or baking soda.
2. Rinse and clean with water.
3. Remove built-up creosote from components with a chimney cleaning product.

Warranty Information

This product has been manufactured under the highest standards of quality and workmanship. We warrant to the original consumer purchaser that all aspects of this product will be free of defects in material and workmanship for one year from the date of purchase. A replacement for any defective part will be supplied free of charge for installation by the consumer. Defects or damage caused by the use of other than genuine parts are not covered by this warranty. This warranty shall be effective from the date of purchase as shown in the purchaser receipt.