

Product Specifications

Rated Voltage	Rated Power	Product Size	Product Weight	Product Material	DustCup Capacity	Power Mode
7.4 V	80 W	14.3*3.9*2.9"	1.09 LBS	ABS	0.2 L	USB Charging

Warning and Precautions

1. Do not remove, repair, or modify the product in any way. Doing so will void the warranty
2. Do not cover the exhaust vent when operating the unit, as doing so may cause the unit to overheat and in certain circumstances catch fire.
3. Avoid vacuuming objects that can cause fire or explosions, such as cigarette buds or matches.
4. Store the vacuum out of reach of children and unplug once fully charged
5. Make sure to turn the unit off before charging with the USB charging cord. Do not use while the unit is charging with the USB cord.

This product has a 1-year limited warranty. For further information please visit our website at www.techkogroup.com

Copyright Reserved

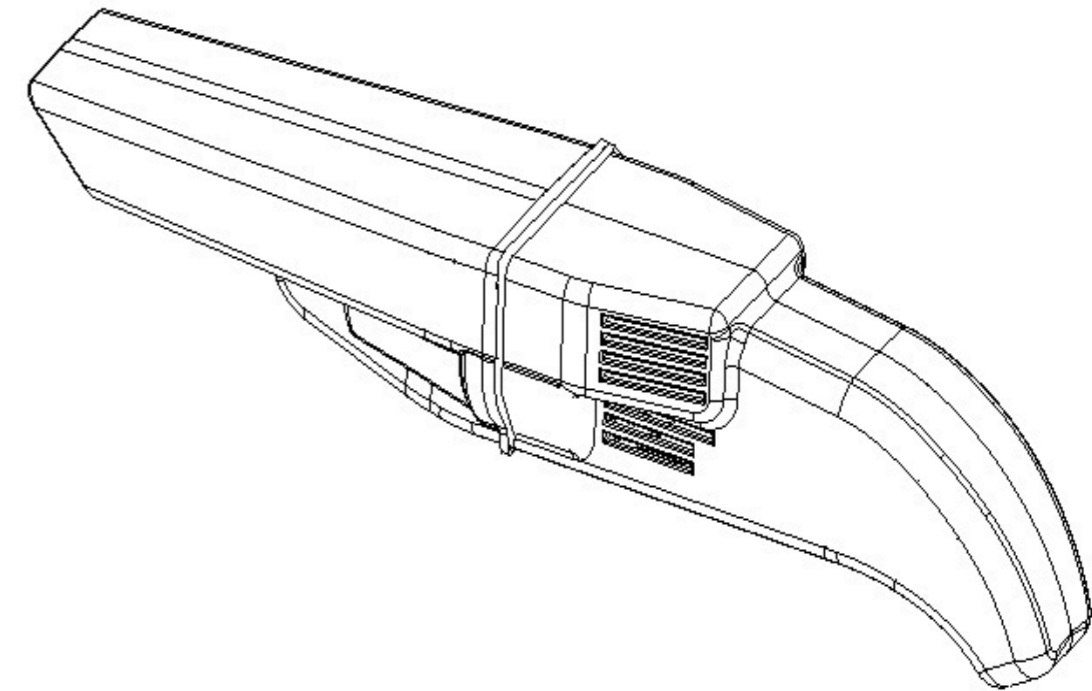


1-888-883-2456

support@techkogroup.com

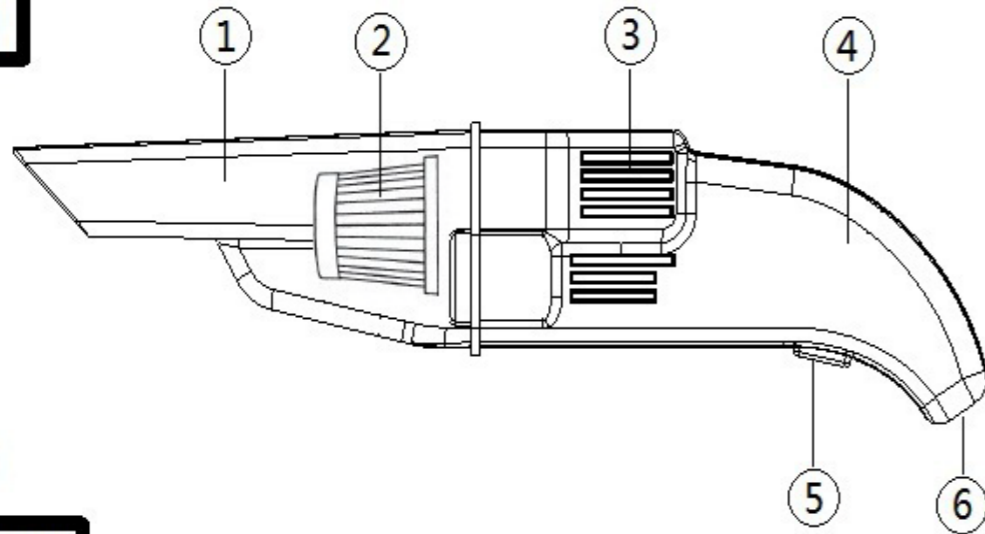
User's Manual

CL-108



Product Introduction

- ① Dust bin
- ② Filter
- ③ Exhaust vents
- ④ Handle
- ⑤ Power Switch
- ⑥ Power Supply Input



Accessories and Attachments

Charging Cords

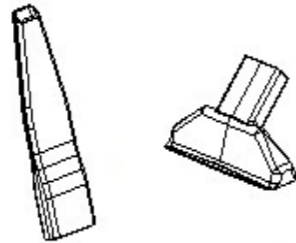
- a. USB Charging Cord



Attachments

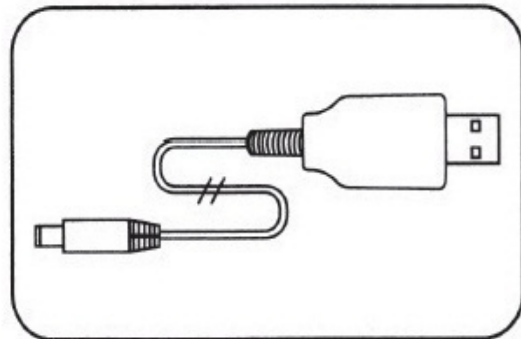
Multi-function suction nozzle combination

- a. Crevice Tool
- b. T style Tool



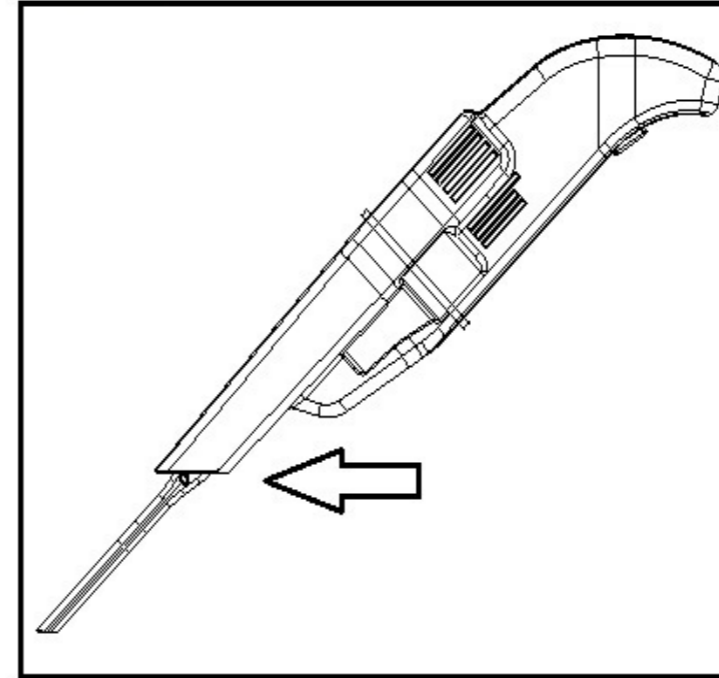
USB Charging Cord

1. Connect USB charging cord to a power adapter (not included) or directly to a USB port and charge the battery to full.

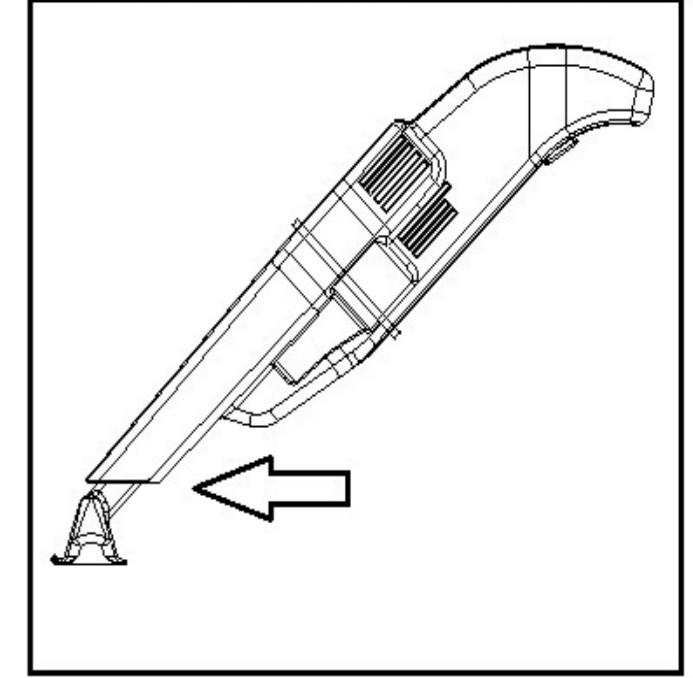


Installation and Usage of Attachments

Crevice Tool: For use around narrow gaps and edges. Connect crevice tool to main body as shown in diagram.



T style Tool: For use on surfaces requiring softer surface cleaning. Can connect to T style Tool as shown in diagram.



Cleaning Instructions

1. Rotate the dustbin counter clockwise to remove the dustbin from the vacuum body.

3. If needed, use a slightly damp cloth to wipe inside the dustbin. The filter can be rinsed under water, however, allow ample time to dry completely before reinstalling back to the dustbin to use.

- 2a. Remove the HEPA filter from the dustbin.
- 2b. Empty the dustbin contents into the trash.

To reinstall the dustbin and filter, insert the filter back into the dustbin, then rotate the dustbin clockwise to lock into place.

