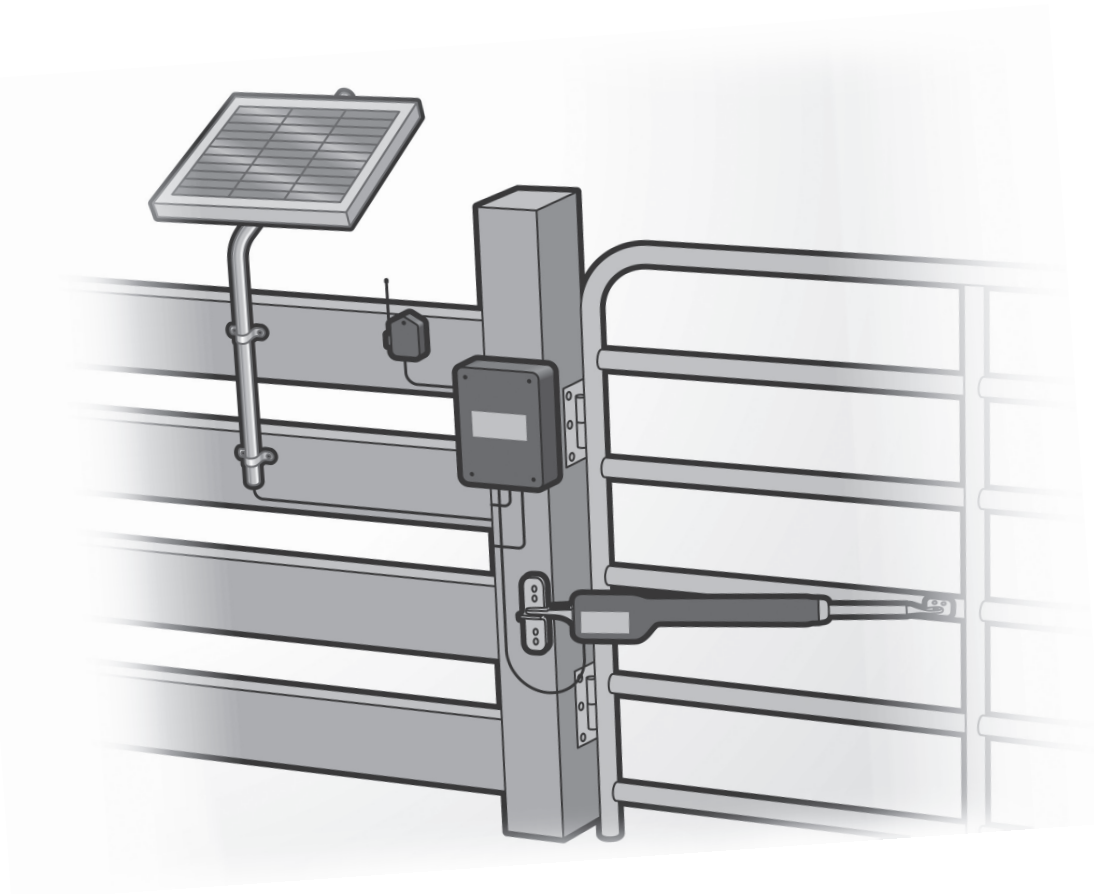




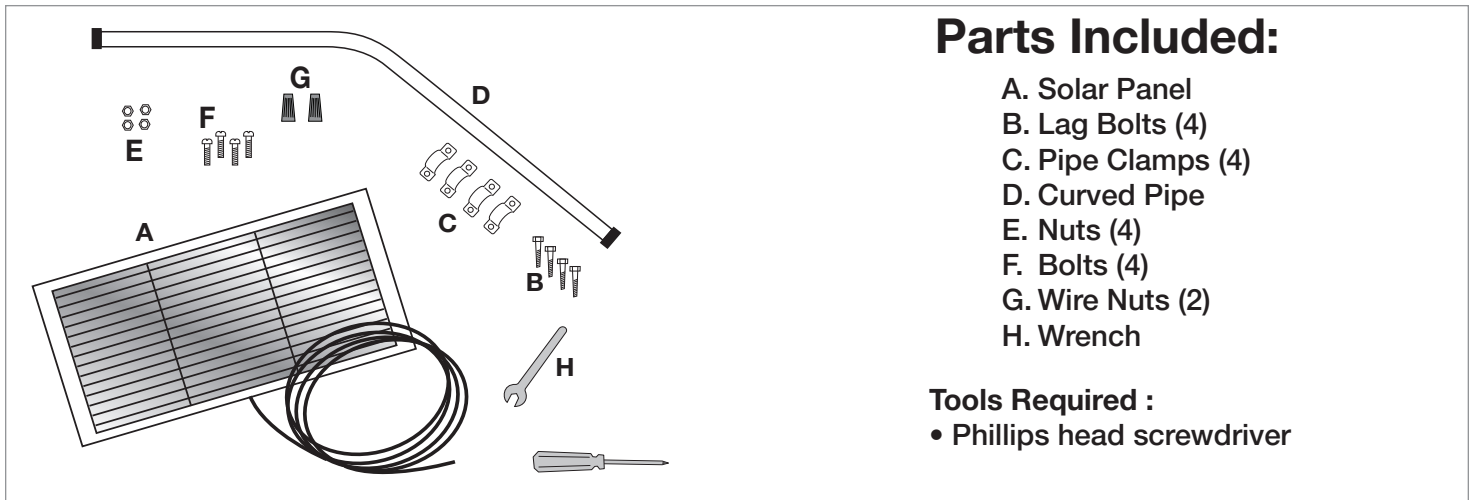
FM125

30 Watt Solar Powered Battery Charger

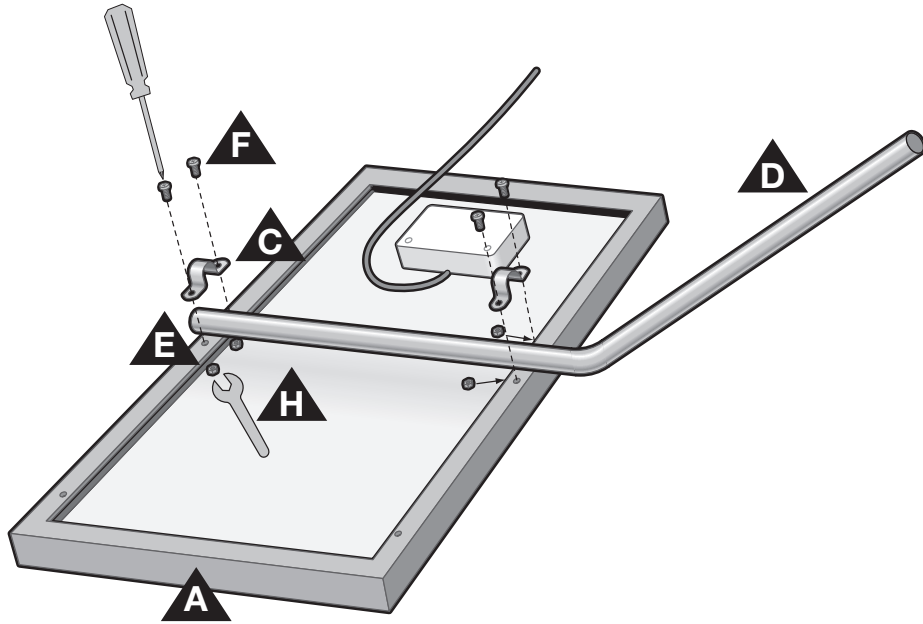
Compatible with Mighty Mule DC Powered Gate Openers.



Installation Manual



STEP 1: Position the curved pipe (D) between the pre-drilled holes on the back side of the frame and place the two pipe clamps (C) over the curved pipe. Using the wrench supplied and a phillips head screwdriver secure with nuts (E) and Bolts (F) as shown in illustration below.



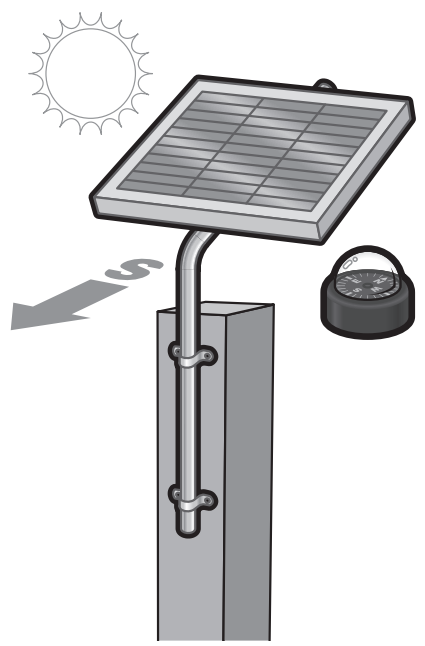
STEP 2: Determine the installation site for the solar panel.

IMPORTANT:

- Place the panel facing due south in the path of the sun.
- The solar panel must be placed in an open area away from shade.*
- The solar panel should receive at least 8 hours of direct sunlight for a full charge.
- Mount the panel using the curved pipe provided to maintain the proper angle to the sun.

Secure the solar panel assembly to a wooden post or fence using two pipe clamps (C) and four lag bolts (B) as shown in the illustration. If your fence post is metal, you will need alternative hardware not provided, (e.g., U-clamps or metal screws).

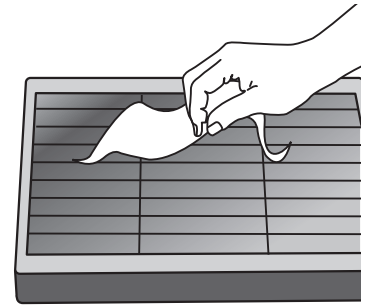
*If the solar panel must be placed more than 10 ft. from the control box in order to receive direct sunlight, you can use up to 250 ft. of stranded, 16 gauge, direct burial, low-voltage wire [RB509]. **NEVER use telephone wire or solid core wire.**



IMPORTANT: To provide secure and moisture resistant splices for solar panels use a direct burial splice kit for underground splices and an above ground splice kit for above ground splices. These splice kits can be found at hardware and electrical supply stores.

For optimal efficiency, wipe the face of the panel frequently with a soft, damp cloth.

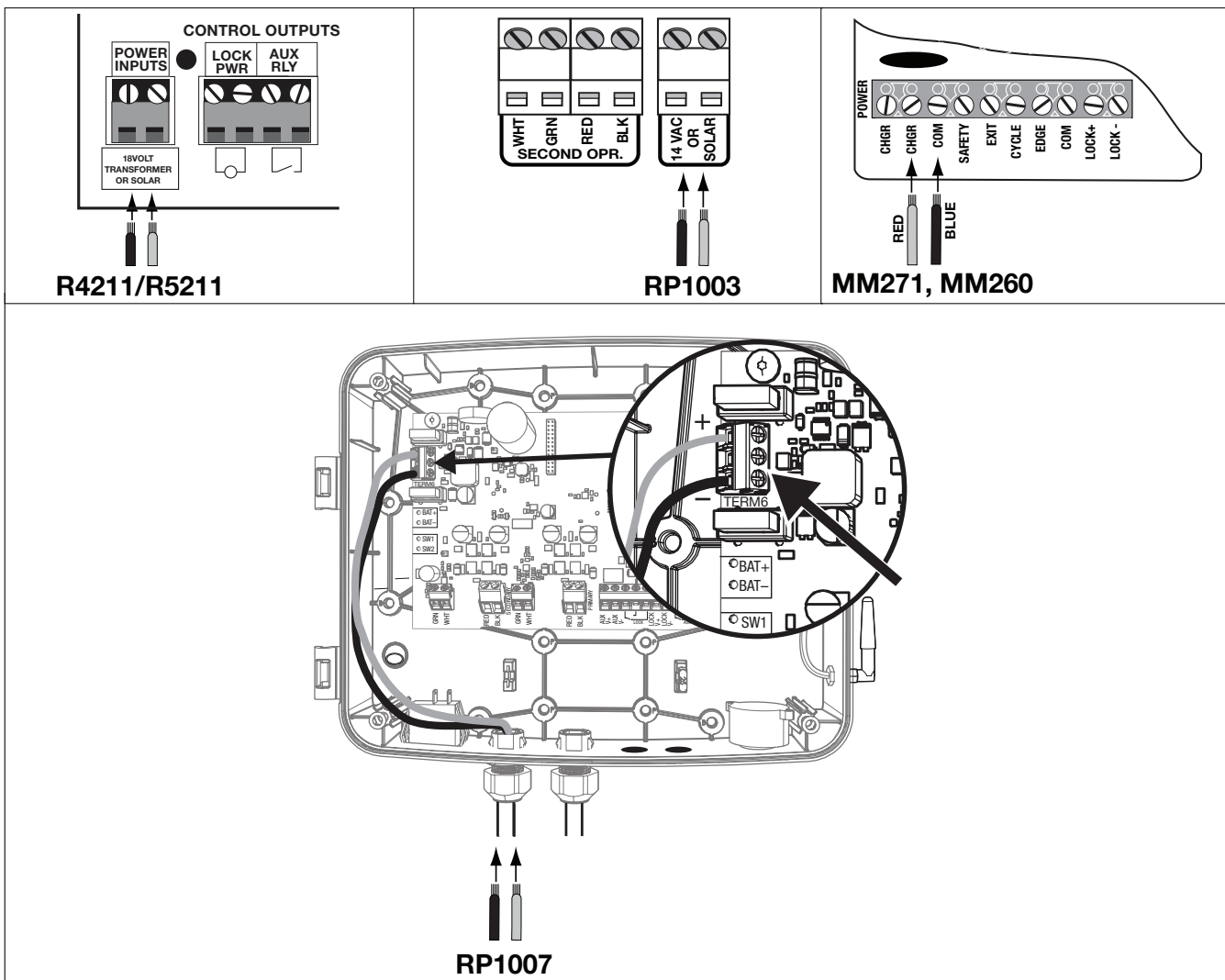
The output of the solar panel is variable during the day depending on the intensity of the sunlight and the incident angle. The output will also vary significantly depending on the battery charge level and other loads. You can check that the solar panel is functioning correctly by measuring the voltage across the input terminals on the control board. Once the batteries are fully charged this should be greater than 18 VDC at approximately 1.8A.



STEP 4: Make sure control box is OFF. Feed the free end of the solar panel wires into the control box and attach them to the appropriate terminals on the control board. The RED solar panel wire goes to the (+) POSITIVE Solar terminal and the BLUE solar panel wire goes to the (-) NEGATIVE Solar terminal. Improper installation of these wires will damage the opener's control board.

Examples of solar terminals on various control boards are below. If you do not see an illustration of your control board below, please refer to your gate opener Installation Manual for instructions on wiring the control board. Or you may call Technical Service Department at 760-438-7000 for assistance.

NEVER USE MORE THAN THE MAXIMUM RECOMMENDED WATTS FOR YOUR CONTROL BOARD. Refer to your gate openers installation manual for solar requirements.



MIGHTY MULE LIMITED WARRANTY

This product is warranted to the original consumer ("You") by Nice North America against defects in material and workmanship for a period of twelve (12) months from the date of purchase. This limited warranty only extends to you if the item was purchased directly from Nice North America or through an authorized sales partner. Nice North America will, at its option, either repair or replace any product that it confirms is defective and eligible for service under this warranty and will return the repaired or replaced product to you at Nice North America's cost. This warranty does not apply to damage to the product from negligence, abuse, abnormal usage, misuse, accidents, acts of god, normal wear and tear, failure to follow the manufacturer's instructions, or arising from improper installation, storage or maintenance. Some states do not allow the exclusion or limitation of incidental and consequential damages, so the above limitation or exclusion may not apply. This warranty gives you specific legal rights and you may also have other rights, which vary from state to state. In order to be protected by this warranty, a copy of the receipt or other valid proof of purchase must be provided with any product that is being repaired or replaced under this warranty. In order to initiate warranty service for your product, please contact Tech Services at 760-438-7000 for a Return Authorization Number ("RA") and other important details.



Mighty Mule Technical Service: 760-438-7000

For more information about the full line of Mighty Mule Automatic Gate Operators, Gate Openers and Access Controls visit

www.mightymule.com



Nice

Niceforyou.com

©2024 Nice North America LLC.

Mighty Mule is a registered trademark of Nice North America LLC. All rights reserved.