

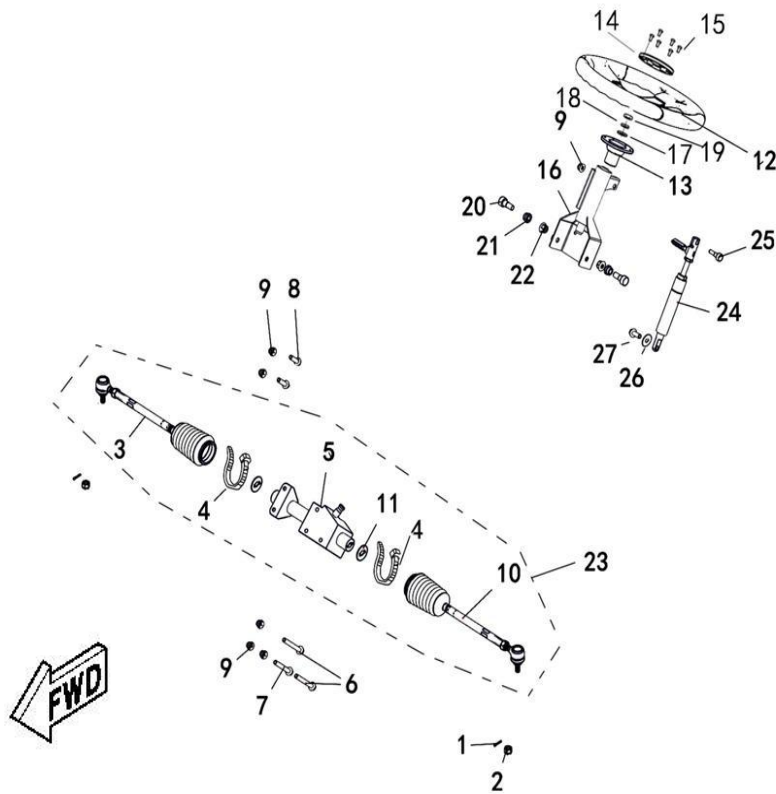
**BUCK 550-4  
PARTS MANUAL**



<b>BLOCK No.</b>	<b>DESCRIPTION</b>	<b>LINK</b>
V01	STEERING ASSY	<a href="#">V01</a>
V02	FUEL TANK	<a href="#">V02</a>
V03	SEAT ASSY	<a href="#">V03</a>
V04	FRAME	<a href="#">V04</a>
V05	FENDER	<a href="#">V05</a>
V06	SHOCK ABSORBER FRONT	<a href="#">V06</a>
V07	SHOCK ABSORBER REAR	<a href="#">V07</a>
V08	WHEEL FRONT	<a href="#">V08</a>
V09	WHEEL REAR	<a href="#">V09</a>
V10	SHIFT	<a href="#">V10</a>
V11	FRAME ROOF	<a href="#">V11</a>
V12	REAR AXLE INSTALLATION	<a href="#">V12</a>
V16	FRONT AND REAR KNUCKLE ASSY	<a href="#">V16</a>
V18	ELECTRICAL SYSTEM	<a href="#">V18</a>
V19	BRAKING SYSTEM	<a href="#">V19</a>
V20	AUXILIARY BRAKE	<a href="#">V20</a>
V21	ACCELERATE PEDAL AND BRAKE PEDAL	<a href="#">V21</a>
V22	BUMPER	<a href="#">V22</a>
V25	FRONT GEAR-BOX	<a href="#">V25</a>
V26	REAR GEAR-BOX	<a href="#">V26</a>
V27	ENGINE INSTALLATION	<a href="#">V27</a>
V28	BOX ASSY	<a href="#">V28</a>
V29	REFLECTION	<a href="#">V29</a>
V30	SEAT BELT	<a href="#">V30</a>
V31	BODY, SIDE NETS	<a href="#">V31</a>
V32	TOOLS	<a href="#">V32</a>
V33	OPTIONS	<a href="#">V33</a>
V34	DECALS	<a href="#">V34 (MASSIMO)</a>
V35	OWNER'S MANUAL	<a href="#">V35</a>
V36	WARNING DECALS	<a href="#">V36</a>
E01	CYLINDER HEAD COVER	<a href="#">E01</a>
E02	CYLINDER HEAD	<a href="#">E02</a>
E03	CAMSHAFT	<a href="#">E03</a>
E04	CYLINDER	<a href="#">E04</a>
E05	CRANKSHAFT COMP	<a href="#">E05</a>
E06	LEFT CRANKCASE	<a href="#">E06</a>
E07	RIGHT CRANKCASE	<a href="#">E07</a>
E08	CVT HOUSING	<a href="#">E08</a>
E09	CVT COVER	<a href="#">E09</a>
E10	LEFT CRANKCASE COVER	<a href="#">E10</a>
E11	GENERATOR	<a href="#">E11</a>
E12	ELECTRIC STARTER	<a href="#">E12</a>
E13	CLUTCH	<a href="#">E13</a>
E14	TRANSMISSION I	<a href="#">E14</a>
E15	TRANSMISSION II	<a href="#">E15</a>
E16	TRANSMISSION III	<a href="#">E16</a>
E17	OIL PUMP	<a href="#">E17</a>
E18	WATER PUMP	<a href="#">E18</a>
E19	FUEL INJECTION ASSY	<a href="#">E19</a>
E20	LEFT SIDE COVER	<a href="#">E20</a>

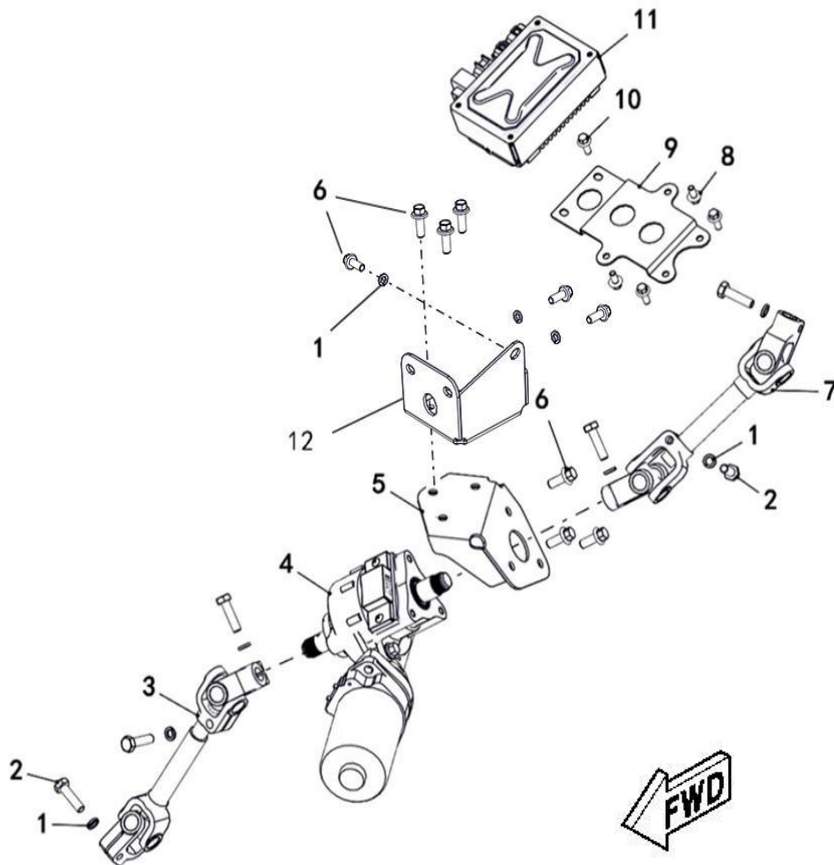
<b>BLOCK No.</b>	<b>DESCRIPTION</b>	<b>LINK</b>
E21	RADIATOR	<a href="#">E21</a>
E23	AIR CLEANER	<a href="#">E23</a>
E24	CVT AIR SHROUD	<a href="#">E24</a>
E25	EXHAUST	<a href="#">E25</a>
E26	TOOLS	<a href="#">E26</a>
E27	FRAGILE GASKET ASSY.	<a href="#">E27</a>

1 STEERING ASSY I



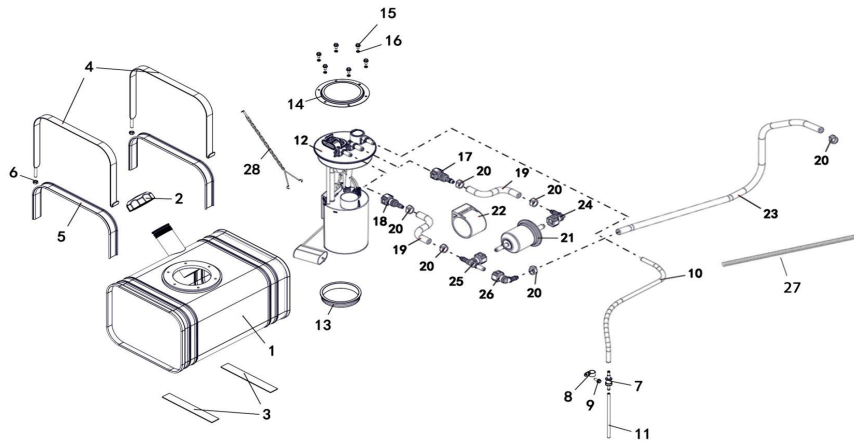
REF. No.	PART No.	DESCRIPTION	Q'TY	PLM
1	27215	PIN 2. 5X25	2	B37722F250
2	27067	NUT M10X1. 25	2	4AL-23176-00
3	48102	STEERING TIE-ROD, RH	1	4CZ-23401-00
4	48326	TIE 3. 5X200	2	4CZ-23406-00
5	47316	STEERING MOTOR	1	4DM-2330C-00
6	10118	BOLT M8X95	2	B11A30895R
7	11244	BOLT M8X80	1	B11A30880R
8	10783	BOLT M8X20	2	B11A30820R
9	10882	NUT M8	6	B51F30800R
10	48103	STEERING TIE-ROD, LH	1	4CZ-23402-00
11	48104	STEERING MOTOR SHEET	2	4CZ-23405-00
12	26925	STEERING WHEEL	1	4CC-23838-00
13	26932	STEERING WHEEL HOLDER	1	4CC-23814-00
14	26934	STEERING COVER	1	4CC-23818-00
15	73072	SCREW M5X10	6	4CA-26111-00
16	47790	STEERING COLUMN ASSY	1	4FJ-2330B-10
17	11794	WASHER 12	1	B637312000
18	10054	WASHER SPRING 12	1	B653312000
19	26257	NUT M12X1. 25	1	B5AF31200A
20	73143	SHOULDER BOLT M10X1. 25X30	2	4CF-23881-00
21	73125	BUSHING FOR ADJUSTABLE STEERING WHEEL	2	4CF-23511-00
22	11287	NUT M10X1. 25	2	B52F31000A
23	47327	STEERING MOTOR ASSY	1	4DM-23300-00
24	48354	ADJUSTMENT CYLINDER, NEW	1	4CZ-23330-00
25	73119	SHOULDER BOLT M8X1. 25X30	1	4CF-23332-00
26	11391	WASHER 6	1	B617306000
27	10140B	BOLT M6X12	1	B11A30612R

1 STEERING ASSY II



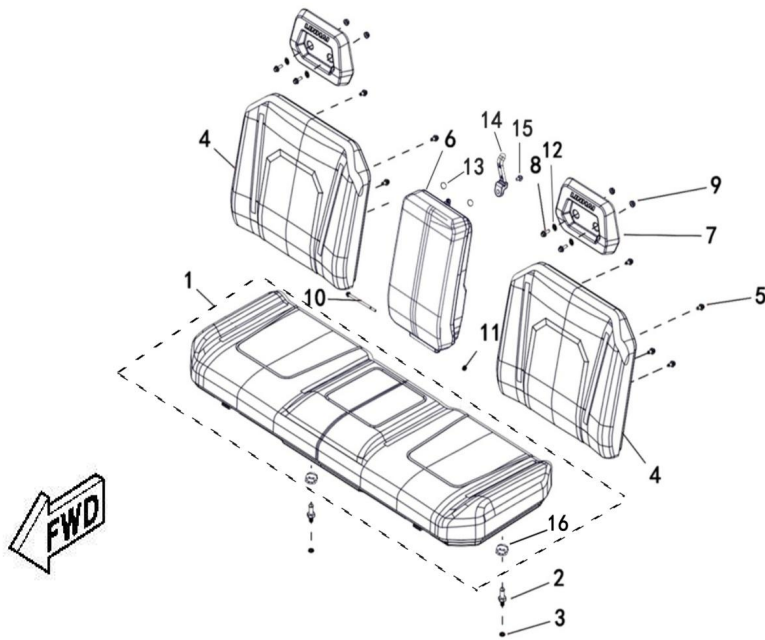
REF. No.	PART No.	DESCRIPTION	Q' TY	PLM
1	10106	SPRING 8	9	B653308000
2	10653	BOLT M8X30	6	B14A30830R
3	48702	EPS OUTPUT UNIVERSAL AXIS.	1	4CZ-2330E-00-02
4	48703	EPS POWER ASSEMBLY	1	4CZ-2330D-00-02
5	48704	PLATE EPS ASSY	1	4CZ-22501-00-02
6	10783	BOLT M8X20	9	B11A30820R
7	48705	EPS OUTIN UNIVERSAL AXIS.	1	4CZ-2330A-00-02
8	10140B	BOLT M6X12	2	B11A30612R
9	48706	PLATE, EPS CONTROLLER	1	4CZ-23303-00-02
10	73054	SCREW M6X16	3	4CA-24832-00
11	48707	EPS CONTROLLER	1	4CZ-23311-00-02
12	47170	PLATE EPS	1	4DM-22502-00

## 2 FUEL TANK



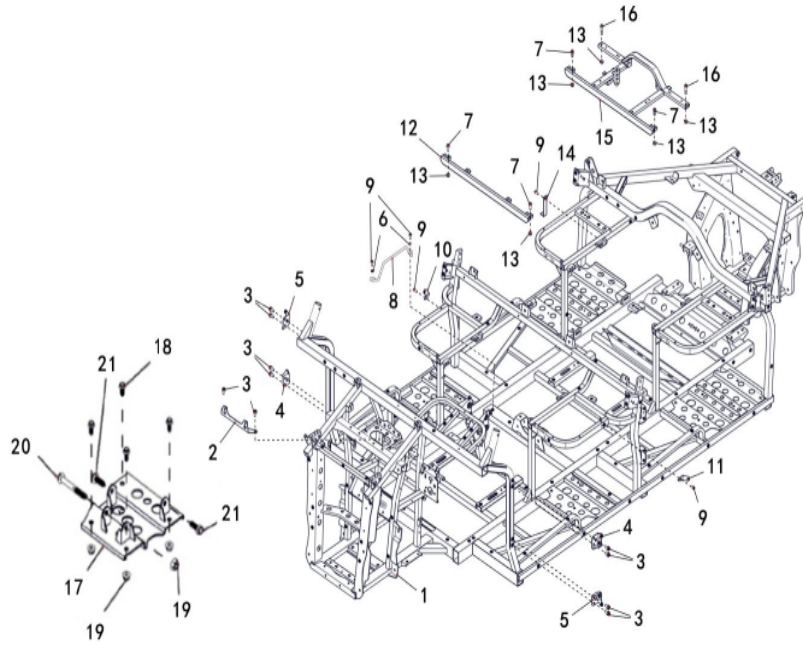
REF. No.	PART No.	DESCRIPTION	Q' TY	PLM
1	47603	FUEL TANK COMP STEEL	1	4CZ-24110-10
2	48673	CAP FUEL TANK	1	4CM-24600-00
3	73051	RUBBER DAMPER	2	4CA-24112-00
4	47604	STRAP FOR STEEL FUEL TANK MOUNTING	2	4FJ-24111-00
5	73052	RUBBER STRAP	2	4CA-2414H-00
6	10882	NUT M8	2	B51F30800R
7	25037	ROLLOVER VALVE	1	3AU-24105-00
8	880.021	BRACKET, ROLLOVER VALVE	1	3AU-24186-00
9	11495	BOLT M6X16	1	B11A30616R
10	48032	HOSE 1 (φ 7Xt2.5XL550)	1	4CZ-13433-00
11	48033	HOSE 2 (φ 7Xt2.5XL220)	1	4CZ-13434-00
12	48124	FUEL PUMP	1	4CZ-24410-00
13	73154	SEALING FOR FUEL PUMP STEEL TANK	1	4CF-24421-00
14	47606	BRACKET FOR FUEL PUMP	1	4FJ-24130-00
15	10140B	BOLT M6X12	6	B11A30612R
16	11019	WASHER SPRING 6	6	B653306000
17	73145	QUICK FITTING ASSY 9.49	1	4CF-24113-00
18	73146	QUICK FITTING ASSY 7.89	1	4CF-24114-00
19	47171	FUEL LINE (φ 6.35X φ 12.7)	2	4GL-13401-00
20	48122	CLIP 14.6	6	4CZ-24112-00
21	48318	FUEL FILER	1	4CZ-24510-00
22	48415	FUEL FILER SUPPORT	1	4AA-24561-00
23	48582	FUEL LINE 2 (φ 6.35X φ 12.7XL750)	1	4GL-13402-00
24	48319	QUICK FITTING ASSY 9.49	1	4CZ-241C3-00
25	48005	TEE-JUNCTION	1	4CF-241C4-00
26	48004	QUICK FITTING ASSY 7.89 B13	1	4CF-241C3-00
27	48349	SPRING	1	4CZ-24145-00
28	48123	CHAIN	1	4CZ-24113-00

### 3 SEAT ASSY



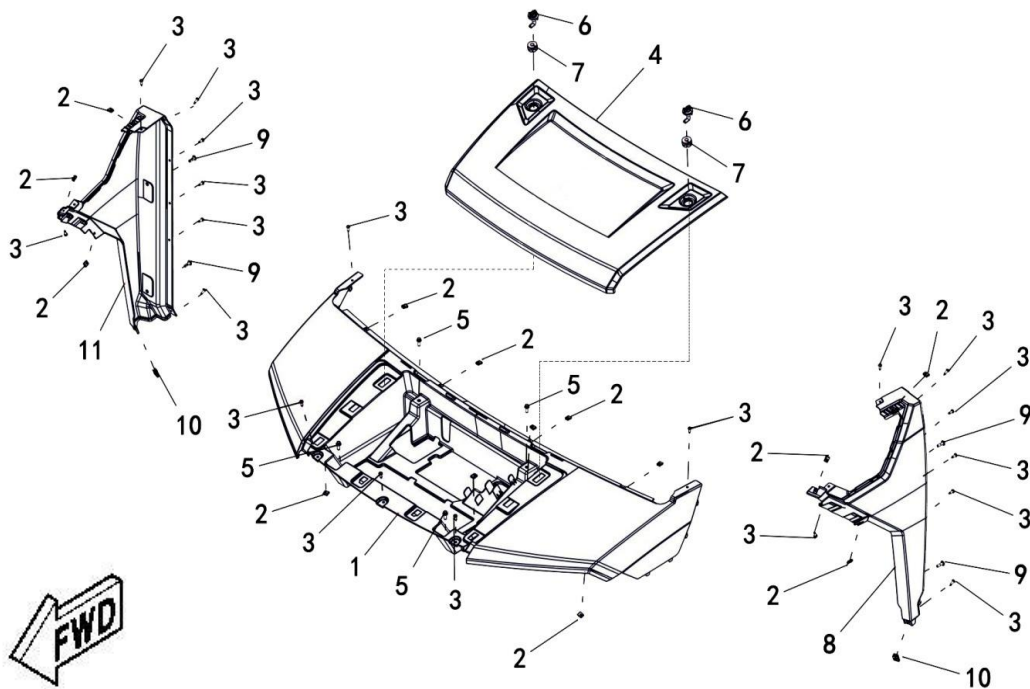
REF. No.	PART No.	DESCRIPTION	Q' TY	PLM
1	48126	INTEGRAL SEAT ASSEMBLY	2	4CZ-24710-00
2	48125	PIN FIX	4	4CZ-24701-00
3	11021	WASHER SPRING 10	4	B653310000
4	48129	SIDE BACKREST	4	4CZ-24716-00
5	10783	BOLT M8X20	16	B11A30820R
6	48564	MIDDLE BACKREST	2	4CZ-24712-10
7	48128	HEAD REST	4	4CZ-24714-00
8	10783	BOLT M8X20	8	B11A30820R
9	10882	NUT M8	8	B51F30800R
10	48085	BOLT	2	4CZ-22510-00
11	11233	NUT M6	2	B51F30600R
12	11330	WASHER 10	8	B637310000
13	48565	RUBBER DAMPERE (Φ 20X4)	4	4CZ-24761-00
14	48566	RUBBER LOCK	2	4CZ-24762-00
15	10140B	BOLT M6X12	2	B11A30612R
16	46222	RUBBER SET SEAT	4	4CZ-2471A-00

#### 4 FRAME



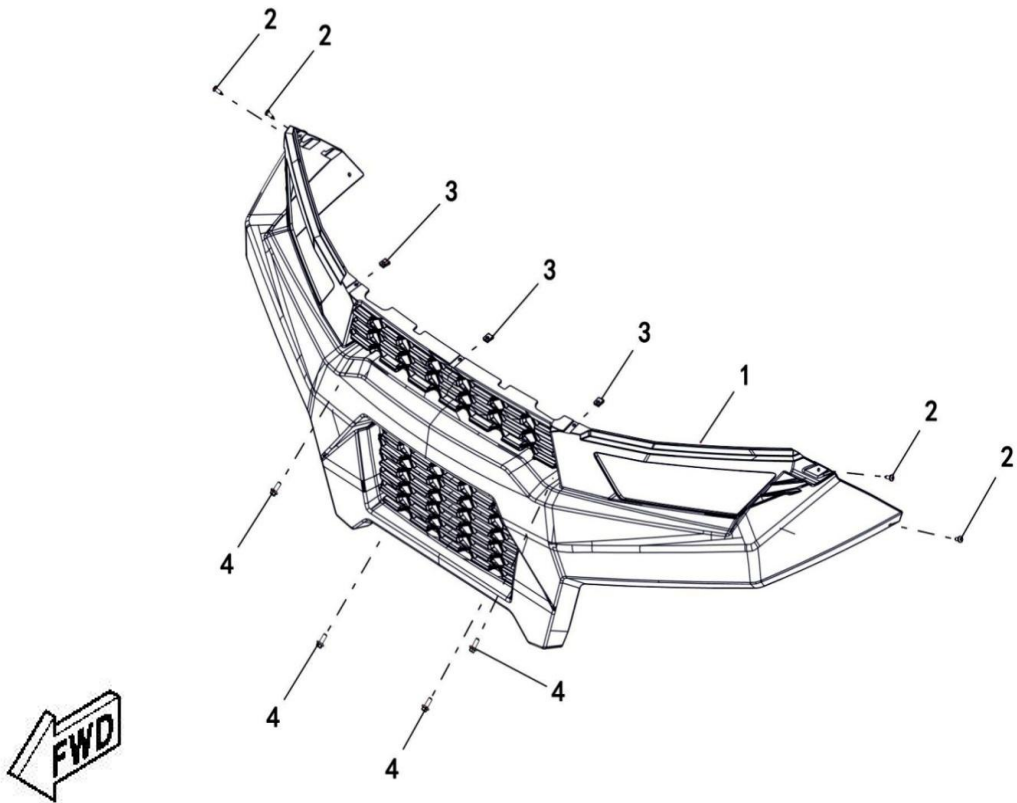
REF. No.	PART No.	DESCRIPTION	Q'TY	PLM
1	47172	FRAME	1	4DM-21110-00
2	47612	BRACKET, RADIATOR	1	4FJ-22540-00
3	11236	BOLT M8X16	10	B11A40816R
4	47613	BRACKET 1, PLASTIC PARTS	2	4FJ-21211-00
5	47614	BRACKET 2, PLASTIC PARTS	2	4FJ-21212-00
6	11391	WASHER 6	2	B617306000
7	10783	BOLT M8X20	4	B11A30820R
8	47175	FIXED BRACKET, WIRING HARNESS	1	4DM-21201-00
9	11495	BOLT M6X16	4	B11A30616R
10	47176	BRACKET, RH SIDE PANEL, FRONT	1	4DM-21212-00
11	47177	BRACKET, LH SIDE PANEL, FRONT	1	4DM-21211-00
12	47611	CROSS BRACE, SEAT FRAME	1	4FJ-21220-00
13	10882	NUT M8	6	B51F30800R
14	47178	BRACKET, FUEL FILER	1	4DK-21204-00
15	47179	CUSHION SUPPORT COMPONENT	1	4DM-21220-00
16	11030	BOLT M8X35	2	B11A30835R
17	48057	BRACKET, FRONT AXLE	1	4CZ-21202-00
18	11237	BOLT M10X1.25X20	4	B12A31020A
19	11287	NUT M10X1.25	5	B52F31000A
20	11816	BOLT M10X1.25X90	1	B12D31090A
21	11854	BOLT M10X1.25X30	2	B12A41030A

5 FENDER



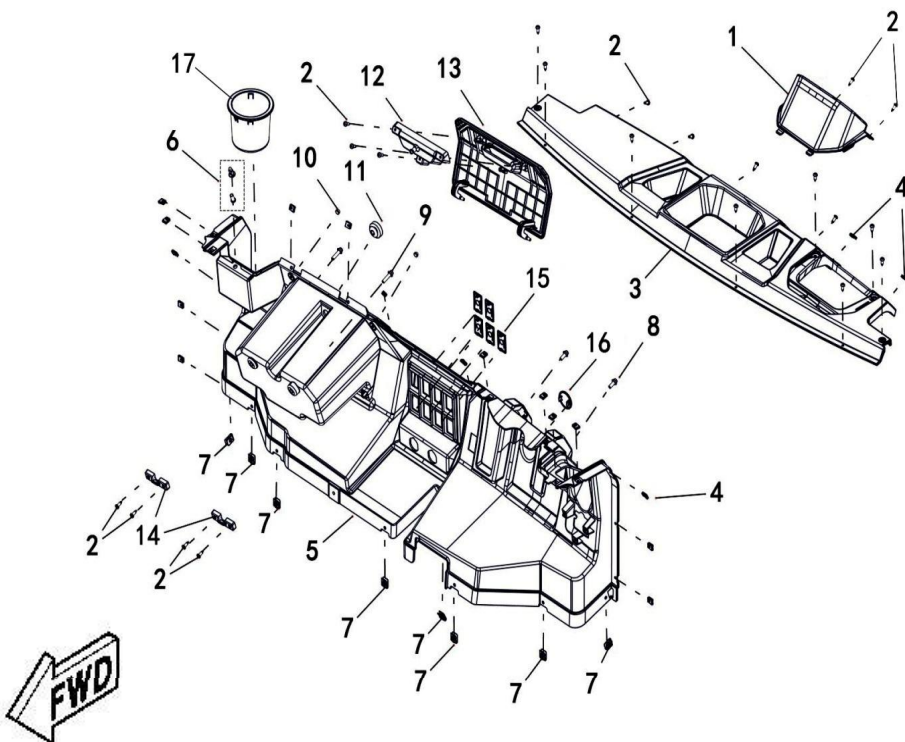
REF. No.	PART No.	DESCRIPTION	Q' TY	PLM
1	476167F	FRONT PANEL, CONCEAL CAMO PAINT	1	4FJ-28302-00-7F
1	476169A	FRONT PANEL, GARY PAINT	1	4FJ-28302-00-9A
1	476164Q	FRONT PANEL, ORANGE PAINT	1	4FJ-28302-00-4Q
1	476165F	FRONT PANEL, ARMY GREEN PAINT	1	4FJ-28302-00-5F
1	476162K	FRONT PANEL, RED PAINT	1	4FJ-28302-00-2K
1	476163M	FRONT PANEL, BLUE PAINT	1	4FJ-28302-00-3M
1	476164P	FRONT PANEL, SAND PAINT	1	4FJ-28302-00-4P
1	476161K	FRONT PANEL, BLACK PAINT	1	4FJ-28302-00-1K
2	48314	ELASTIC NUT M5	14	90183-05818
3	47789	HEXAGON SELF-TAPPING SCREW M5X16	19	4FJ-24830-00
4	476187F	FRONT SHROUD, CONCEAL CAMO PAINT	1	4FJ-28303-00-7F
4	476189A	FRONT SHROUD, GARY PAINT	1	4FJ-28303-00-9A
4	476184Q	FRONT SHROUD, ORANGE PAINT	1	4FJ-28303-00-4Q
4	476185F	FRONT SHROUD, ARMY GREEN PAINT	1	4FJ-28303-00-5F
4	476182K	FRONT SHROUD, RED PAINT	1	4FJ-28303-00-2K
4	476183M	FRONT SHROUD, BLUE PAINT	1	4FJ-28303-00-3M
4	476184P	FRONT SHROUD, SAND PAINT	1	4FJ-28303-00-4P
4	476181K	FRONT SHROUD, BLACK PAINT	1	4FJ-28303-00-1K
5	10239	BOLT M6X16	4	B13A40616R
6	47619	FRONT SHROUD, QUICK REMOVAL, PLASTIC HANDLE	2	4FJ-28318-00
7	47620	FRONT SHROUD, QUICK REMOVAL, RUBBER BOOT	2	4FJ-28320-00
8	47621	LH FRONT BATTEN	1	4FJ-28306-00
9	73056	SCREW M6X20	4	40A-24834-00
10	70960	PLASTIC ELASTIC NUT	2	40C-21811-00
11	47622	RH FRONT BATTEN	1	4FJ-28307-00

5 FENDER



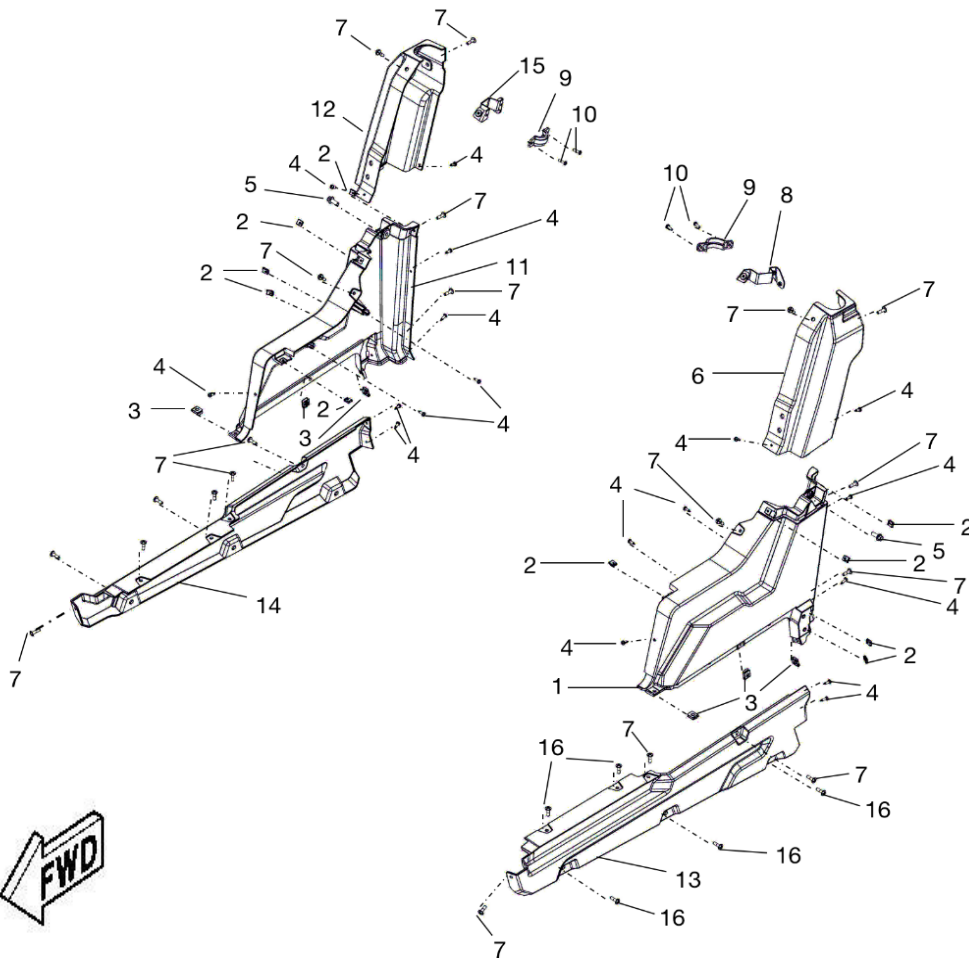
REF. No.	PART No.	DESCRIPTION	Q' TY	PLM
1	47623	FRONT GRILL	1	4FJ-28301-00
2	47789	HEXAGON SELF-TAPPING SCREW M5X16	4	4FJ-24830-00
3	48314	ELASTIC NUT M5	3	90183-05818
4	10239	BOLT M6X16	4	B13A40616R

5 FENDER



REF. No.	PART No.	DESCRIPTION	Q'TY	PLM
1	47624	INSTRUMENT COWL	1	4FJ-28315-00
2	47789	HEXAGON SELF-TAPPING SCREW M5X16	21	4FJ-24830-00
3	47625	INSTRUMENT, UPPER PANEL	1	4FJ-28304-00
4	48314	ELASTIC NUT M5	18	90183-05818
5	47626	INSTRUMENT, BOTTOM PANEL	1	4FJ-28305-00
6	47627	EXPANSION SCREW	1	4FJ-28319-00
7	70960	PLASTIC ELASTIC NUT	8	4CC-21811-00
8	12058	BOLT M6X16	2	B11A40616R
9	11307	BOLT M6X25	2	B13A40625R
10	48219	STORAGE BOX COVER, DAMPING RUBBER	2	4CZ-28320-00
11	48218	STORAGE BOX COVER, POSITIONING RUBBER	1	4CZ-28319-00
12	48220	STORAGE BOX COVER, FIXED BRACKET	1	4CZ-28321-00
13	48217	STORAGE BOX COVER	1	4CZ-28318-00
14	48221	STORAGE BOX COVER, LOCK BLOCK	2	4CZ-28322-00
15	73048	SWITCH COVER	5	4CA-22417-00
16	48264	USB OUTPUT SEAT, COVER PLATE	1	4CZ-28372-00
17	47628	CUP HOLDER	1	4FJ-28316-00

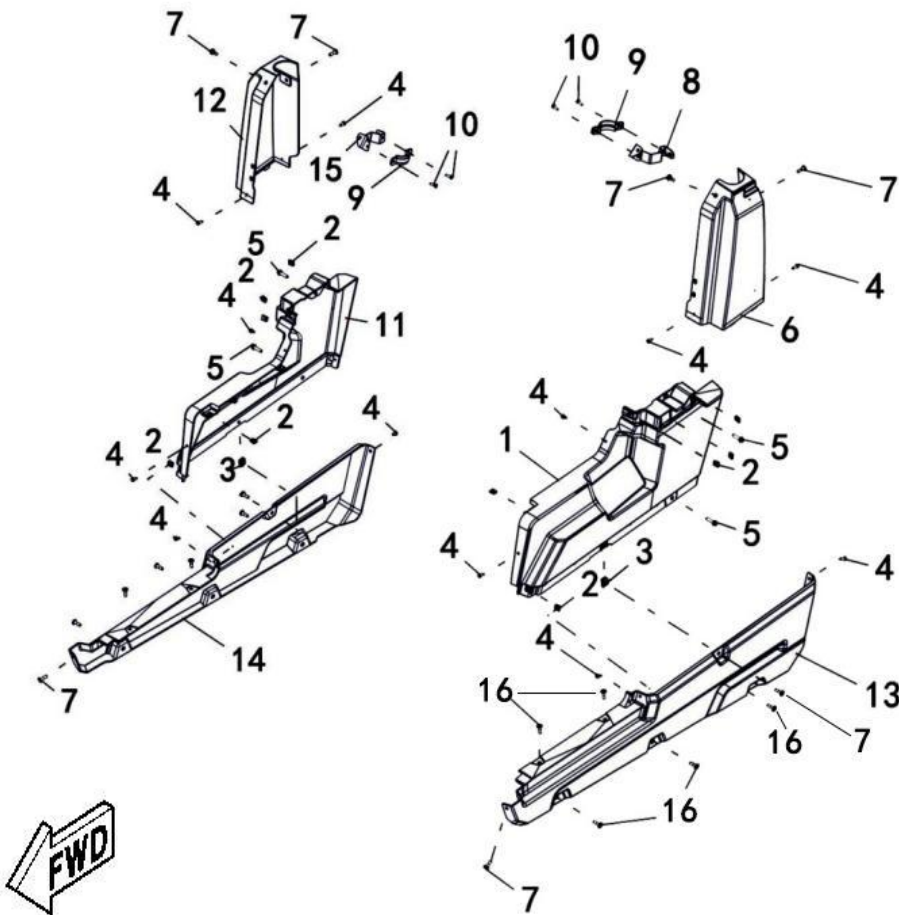
## 5 FENDER



REF. No.	PART No.	DESCRIPTION	Q'TY	PLM
1	47180	LH FRONT SIDE PANEL	1	4DM-28301-00
2	48314	ELASTIC NUT M5	10	90183-05818

3	70960	PLASTIC ELASTIC NUT	6	4CC-21811-00
4	47789	HEXAGON SELF-TAPPING SCREW M5X16	18	4FJ-24830-00
5	11307	BOLT M6X25	2	B13A40625R
6	47181	LH FRONT UPPER SIDE PANEL	1	4DM-28303-00
7	73056	SCREW M6X20	16	4CA-24834-00
8	47182	LH SIDE PANEL, UPPER MOUNTING BRACKET	1	4DM-21213-00
9	48222	SIDE PANEL, MOUNTING BUCKLE	2	4CZ-28323-00
10	11529	CROSS GROOVE, SCREW M5X16	4	B23A30516R
11	47183	RH SIDE PANEL, FRONT	1	4DM-28302-00
12	47184	RH UPPER SIDE PANEL, FRONT	1	4DM-28304-00
13	47185	LH FRONT BAR	1	4DM-28305-00
14	47186	RH FRONT BAR	1	4DM-28306-00
15	47187	RH SIDE PANEL, UPPER MOUNTING BRACKET	1	4DM-21214-00
16	73054	SCREW M6X16	10	4CA-24832-00

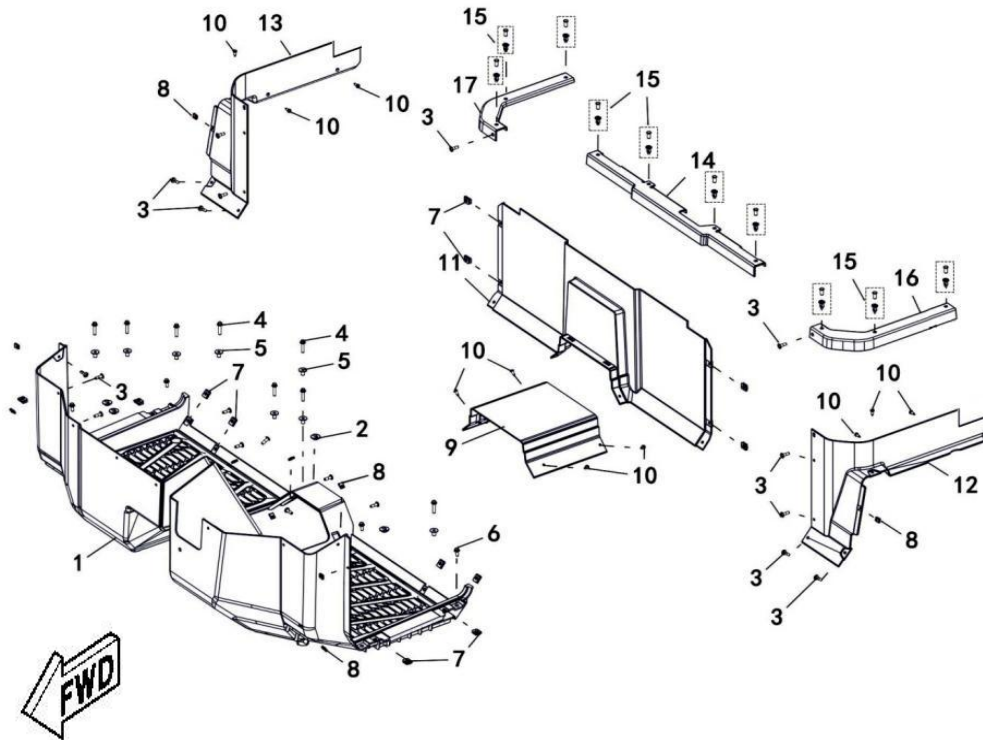
## 5 FENDER



REF. No.	PART No.	DESCRIPTION	Q'TY	PLM
1	47636	LH SIDE PANEL	1	4FJ-28308-00
2	48314	ELASTIC NUT M5	10	90183-05818
3	70960	ELASTIC NUT M6	2	4CC-21811-00
4	47789	HEXAGON SELF-TAPPING SCREW M5X16	12	4FJ-24830-00
5	11307	BOLT M6X25	2	B13A40625R
6	47637	LH UPPER SIDE PANEL	1	4FJ-28326-00
7	73056	SCREW M6X20	8	4CA-24834-00
8	47638	LH SIDE PANEL, MOUNTING BRACKET	1	4FJ-21213-00

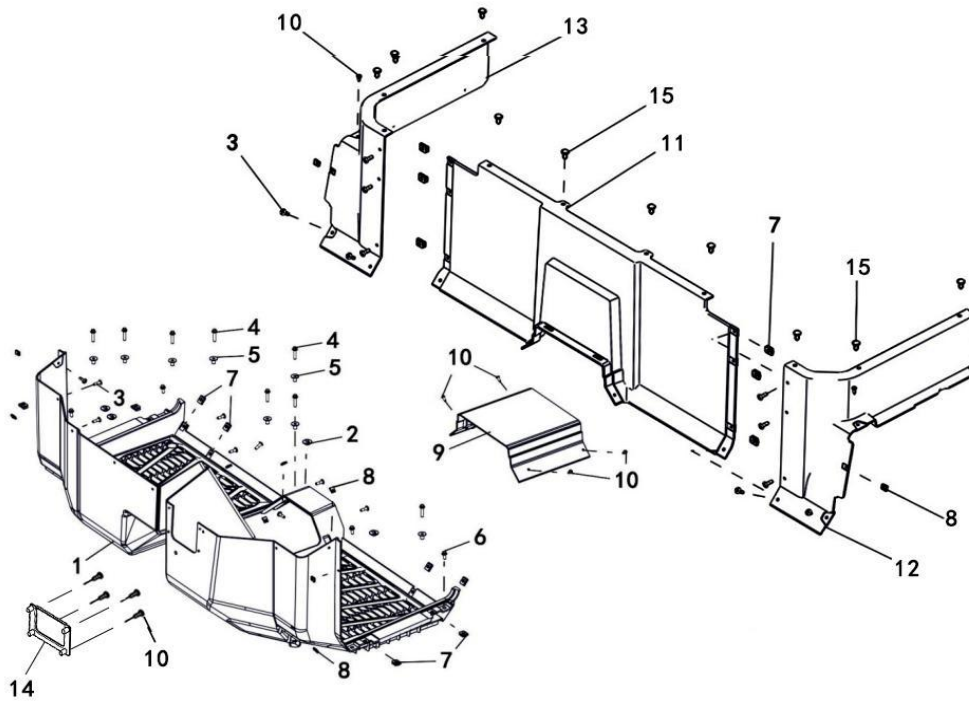
9	48222	SIDE PANEL, MOUNTING BUCKLE	2	4CZ-28323-00
10	11529	SCREW WITH CROSS GROOVE M5X16	4	B23A30516R
11	47639	RH SIDE PANEL	1	4FJ-28309-00
12	47640	RH UPPER SIDE PANEL	1	4FJ-28327-00
13	48234	LH BAR	1	4CZ-28335-00
14	48235	RH BAR	1	4CZ-28336-00
15	47641	SIDE PANEL, MOUNTING BRACKET, RH	1	4FJ-21214-00
16	73054	SCREW M6X16	10	4CA-24832-00

## 5 FENDER



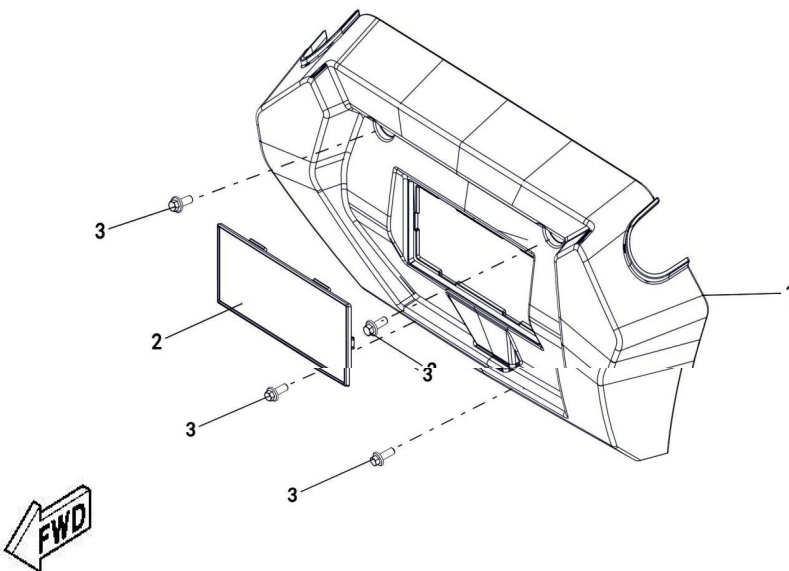
REF. No.	PART No.	DESCRIPTION	Q'TY	PLM
1	47629	FOOTREST	1	4CZ-28326-10
2	22349	RUBBER PLUG	4	4AL-28330-00
3	73056	SCREW M6X20	19	4CA-24834-00
4	11241	HEXAGON FLANGE BOLT M6X30	8	B13A40630R
5	48256	T-SHAPED LINER BUSHING	8	4CZ-28364-00
6	12058	BOLT M6X16	4	B11A40616R
7	70960	PLASTIC ELASTIC NUT	12	4CC-21811-00
8	48314	ELASTIC NUT M5	10	90183-05818
9	48226	FOOTREST, CENTER COVER	1	4CZ-28327-00
10	47789	HEXAGON SELF-TAPPING SCREW M5X16	10	4FJ-24830-00
11	47630	SEAT, FRONT COVER PLATE, FRONT	1	4FJ-28328-00
12	47188	SEAT, LH COVER PLATE, FRONT	1	4DM-28329-00
13	47189	SEAT, RH COVER PLATE, FRONT	1	4DM-28330-00
14	47633	SEAT, FRONT COVER PLATE, UPPER BAFFLE	1	4FJ-28331-00
15	47627	EXPANSION SCREW	10	4FJ-28319-00
16	47490	SEAT, LH COVER PLATE, UPPER BAFFLE	1	4DM-28332-00
17	47191	SEAT, RH COVER PLATE, UPPER BAFFLE	1	4DM-28333-00

5 FENDER



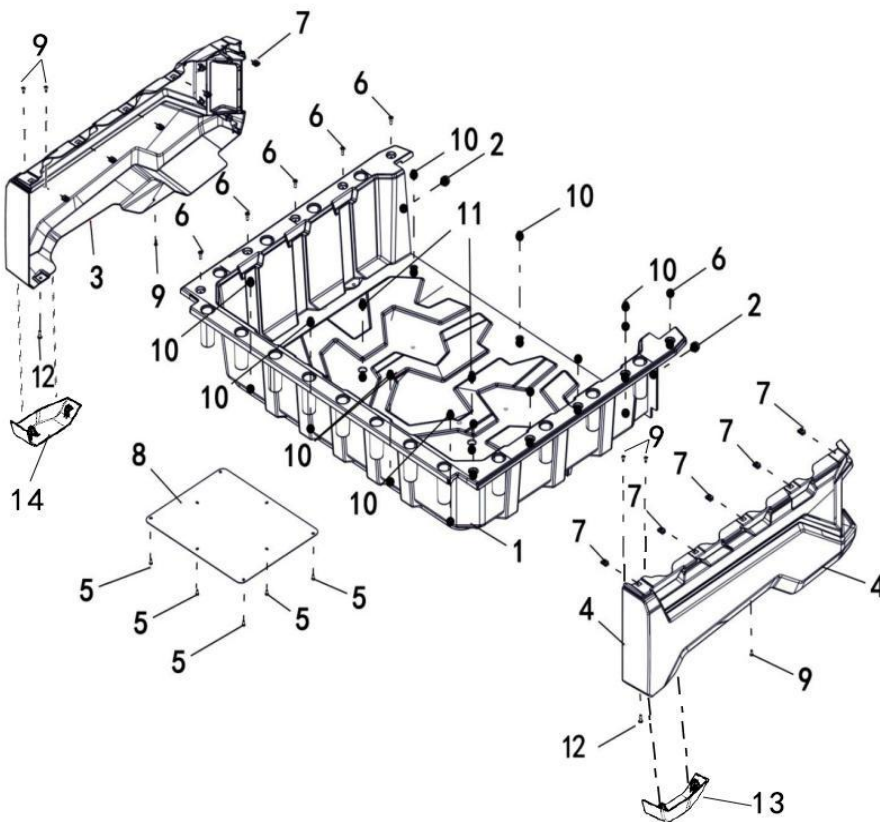
REF. No.	PART No.	DESCRIPTION	Q' TY	PLM
1	47328	REAR FOOTREST	1	4DM-28326-00
2	22349	RUBBER PLUG	4	4AL-28330-00
3	73056	SCREW M6X20	19	4CA-24834-00
4	11241	HEXAGON FLANGE BOLT M6×30	8	B13A40630R
5	48256	T-SHAPED LINER BUSHING	8	4CZ-28364-00
6	11495	BOLT M6X16	4	B11A30616R
7	70960	PLASTIC ELASTIC NUT	14	4CC-21811-00
8	48314	ELASTIC NUT M5	10	90183-05818
9	48226	FOOTREST, CENTER COVER	1	4CZ-28327-00
10	47789	HEXAGON SELF-TAPPING SCREW M5X16	10	4FJ-24830-00
11	48227	SEAT, FRONT COVER PLATE, REAR	1	4CZ-28328-00
12	47193	SEAT, LH COVER PLATE, REAR	1	4DM-28327-00
13	47194	SEAT, RH COVER PLATE, REAR	1	4DM-28328-00
14	47195	REAR FOOTREST, BAFFLE	1	4DM-28310-00
15	47627	EXPANSION SCREW	10	4FJ-28319-00

5 FENDER



REF. No.	PART No.	DESCRIPTION	Q' TY	PLM
1	47642	BUMPER GUARD	1	4FJ-28317-00
2	48201	RETRACTOR COVER PLATE	1	4CZ-28302-00
3	10239	BOLT M6X16	4	B13A40616R

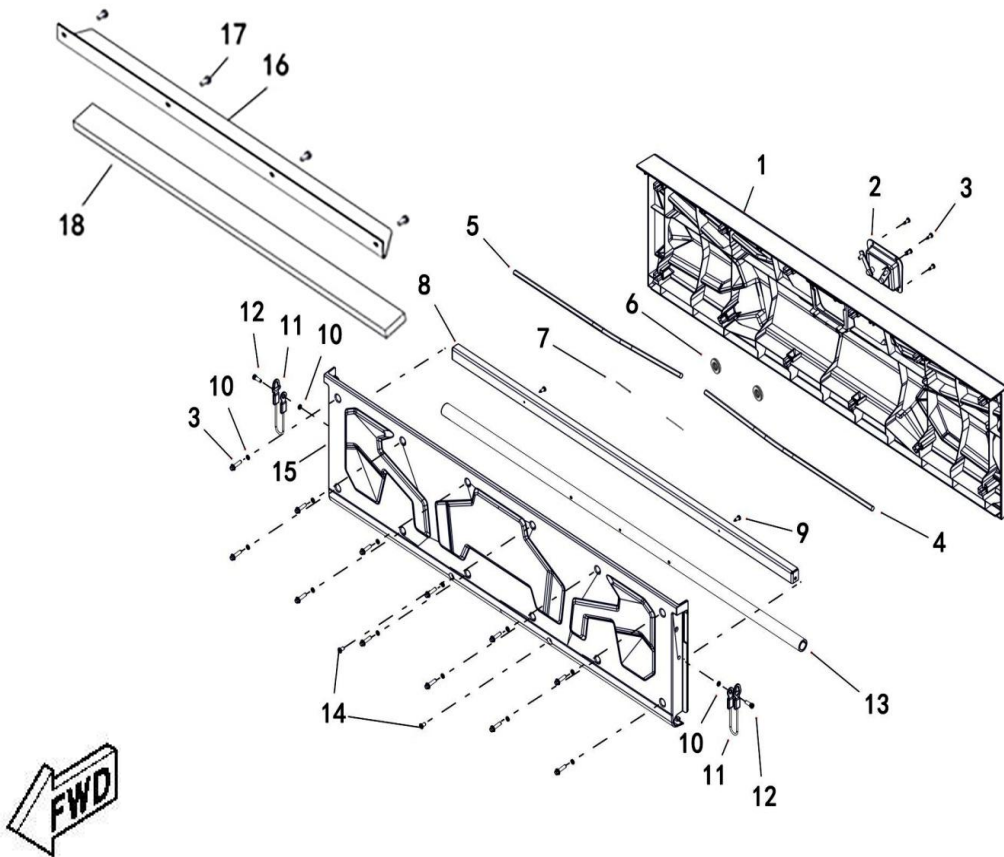
## 5 FENDER



REF. No.	PART No.	DESCRIPTION	Q' TY	PLM
1	47643	CARGO BOX FLOOR	1	4FJ-28310-00
2	48145	CARGO BOX, REAR COVER PANEL, CUSHION RUBBER	2	4CZ-24816-00
3	471967F	CARGO BOX, RH SIDE PANEL, CONCEAL CAMO PAINT	†	4DM-28312-00-7F
3	471969A	CARGO BOX, RH SIDE PANEL, GARY PAINT	†	4DM-28312-00-9A
3	471964Q	CARGO BOX, RH SIDE PANEL, ORANGE PAINT	†	4DM-28312-00-4Q
3	471965F	CARGO BOX, RH SIDE PANEL, ARMY GREEN PAINT	†	4DM-28312-00-5F
3	471962K	CARGO BOX, RH SIDE PANEL, RED PAINT	†	4DM-28312-00-2K
3	471963M	CARGO BOX, RH SIDE PANEL, BLUE PAINT	†	4DM-28312-00-3M
3	471964P	CARGO BOX, RH SIDE PANEL, SAND PAINT	†	4DM-28312-00-4P
3	471961K	CARGO BOX, RH SIDE PANEL, BLACK PAINT	1	4DM-28312-00-1K
4	471977F	CARGO BOX, LH SIDE PANEL, CONCEAL CAMO PAINT	†	4DM-28311-00-7F
4	471979A	CARGO BOX, LH SIDE PANEL, GARY PAINT	†	4DM-28311-00-9A
4	471974Q	CARGO BOX, LH SIDE PANEL, ORANGE PAINT	†	4DM-28311-00-4Q

4	471975F	CARGO BOX, LH SIDE PANEL, ARMY GREEN PAINT	4	4DM-28311-00-5F
4	471972K	CARGO BOX, LH SIDE PANEL, RED PAINT	4	4DM-28311-00-2K
4	471973M	CARGO BOX, LH SIDE PANEL, BLUE PAINT	4	4DM-28311-00-3M
4	471974P	CARGO BOX, LH SIDE PANEL, SAND PAINT	4	4DM-28311-00-4P
4	471971K	CARGO BOX, LH SIDE PANEL, BLACK PAINT	1	4DM-28311-00-1K
5	48316	SELF-TAPPING SCREW M5X16	8	97707-05016
6	73056	SCREW M6X20	10	4CA-24834-00
7	70960	ELASTIC NUT M6	8	4CC-21811-00
8	47646	CARGO BOX HEAT SHIELD	1	4FJ-24817-00
9	47789	HEXAGON SELF-TAPPING SCREW M5X16	6	4FJ-24830-00
10	48359	DISC BRAKE DISC ERECTION BOLT , ARMY GREEN	7	4CZ-25830-00
11	47647	CARGO BOX, MOUNTING BOLT	2	4FJ-24863-00
12	11495	BOLT M6X16	2	B11A30616R
13	47198	CARGO BOX, LH FRONT DECORATIVE COVER	1	4DM-28308-00
14	47199	CARGO BOX, RH FRONT DECORATIVE COVER	1	4DM-28309-00

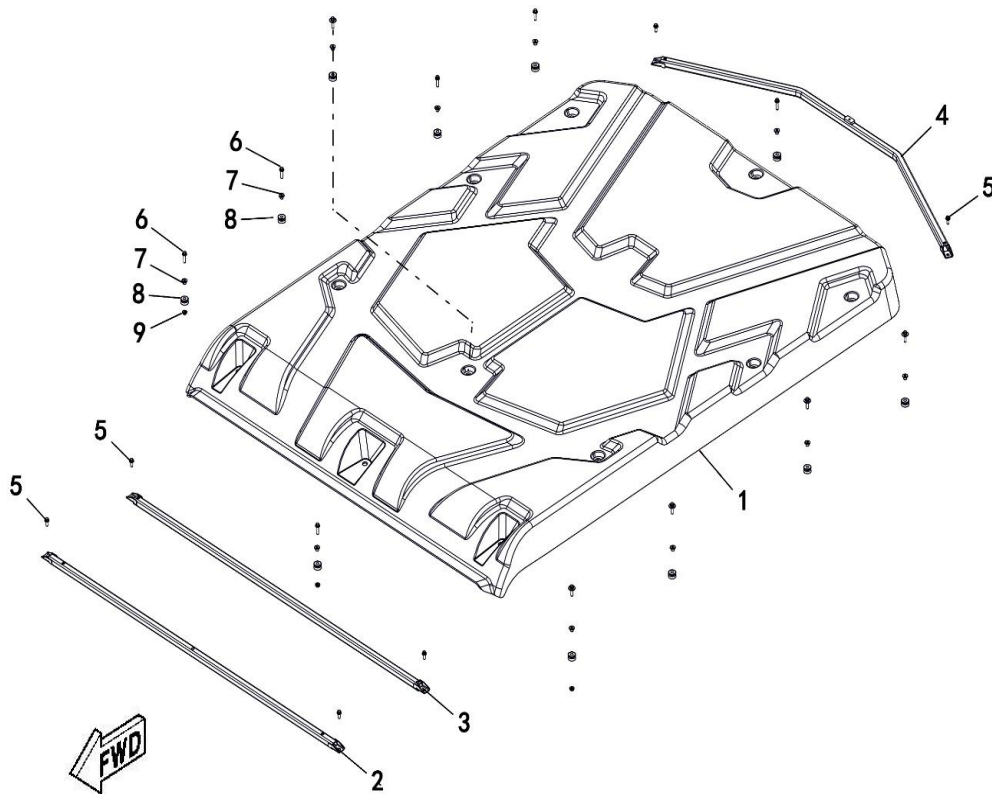
## 5 FENDER



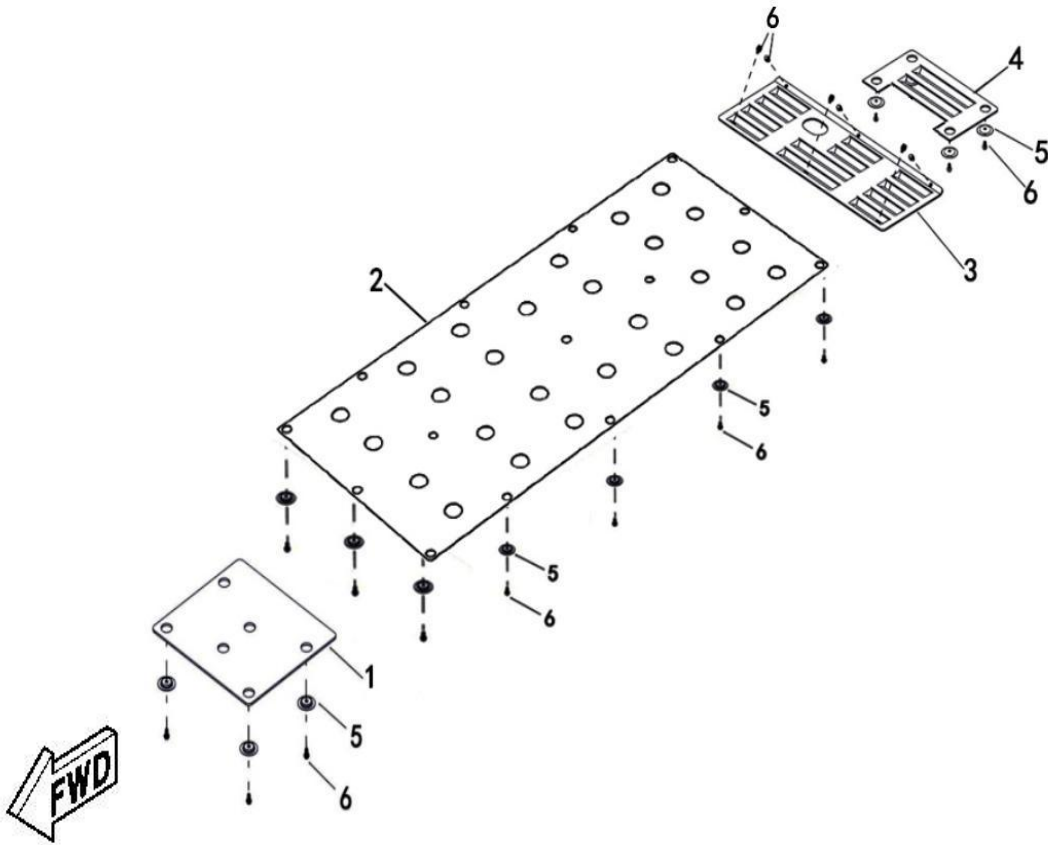
REF. No.	PART No.	DESCRIPTION	Q'TY	PLM
1	476487F	CARGO BOX REAR PANEL, CONCEAL CAMO PAINT	1	4FJ-28314-00-7F
1	476489A	CARGO BOX REAR PANEL, GARY PAINT	1	4FJ-28314-00-9A
1	476484Q	CARGO BOX REAR PANEL, ORANGE PAINT	1	4FJ-28314-00-4Q
1	476485F	CARGO BOX REAR PANEL, ARMY GREEN PAINT	1	4FJ-28314-00-5F
1	476482K	CARGO BOX REAR PANEL, RED PAINT	1	4FJ-28314-00-2K
1	476483M	CARGO BOX REAR PANEL, BLUE PAINT	1	4FJ-28314-00-3M
1	476484P	CARGO BOX REAR PANEL, SAND PAINT	1	4FJ-28314-00-4P
1	476481K	CARGO BOX REAR PANEL, BLACK PAINT	1	4FJ-28314-00-1K
2	48137	CARGO BOX REAR PANEL, HANDLE	1	4CZ-24806-00
3	47789	TAPPING SCREW M5X16	16	4FJ-24830-00
4	47649	CARGO BOX REAR PANEL, LOCK PIN , LH	1	4FJ-24809-00

5	47650	CARGO BOX REAR PANEL, LOCK PIN , RH	1	4FJ-24810-00
6	48150	HANDLE, ADJUST WASHER	2	4CZ-24828-00
7	48149	HANDLE, COTTER PIN	2	4CZ-24827-00
8	47651	CARGO BOX REAR PANEL, SUPPORT PLATE	1	4FJ-24807-00
9	10052	TAPPING SCREW ST4. 8X13	2	B21B44J13R
10	11019	ELASTIC WASHER 6	2	B653306000
11	47652	CARGO BOX CABLE	2	4FJ-24826-00
12	47653	INNER HEXAGONAL FLAT HEAD STEP BOLT M6X12	2	4FJ-24818-00
13	47654	CARGO BOX REAR PANEL, ROTATION SHAFT	1	4FJ-24813-00
14	11151	SCREW M6X12	2	B24B30612R
15	47655	CARGO BOX, INNER FENDER	1	4FJ-28313-00
16	48351	CARGO BOX, FRONT FENDER	1	4CZ-28435-00
17	73056	BOLT M6X20	4	4CA-24834-00
18	48352	CARGO BOX, FRONT FENDER, SPONGE STRIP	1	4CZ-28436-00

## 5 FENDER

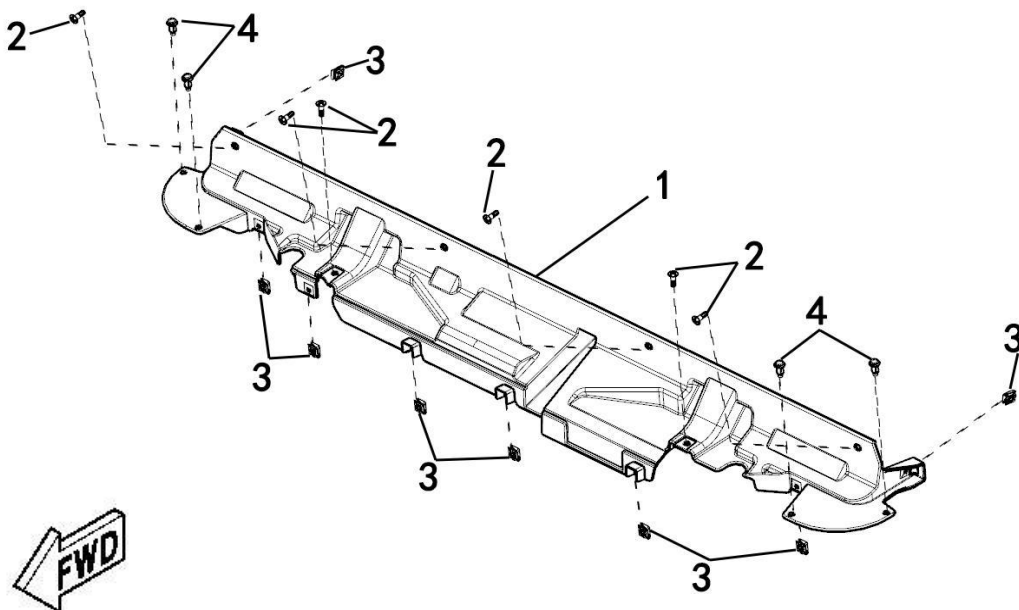


REF. No.	PART No.	DESCRIPTION	Q' TY	PLM
1	56321	LONG ROOF PANEL	1	4DF-28350-00
2	47200	MIDDLE BRACKET, LONG ROOF PANEL	1	4DM-22811-00
3	47201	POSTMEDIAN BRACKET, LONG ROOF PANEL	1	4DM-22812-00
4	47202	REAR BRACKET, LONG ROOF PANEL	1	4DM-22813-00
5	11495	BOLT M6X16	6	B11A30616R
6	11307	BOLT M6X25	11	B13A40625R
7	48256	T-SHAPED LINER BUSHING	11	4CZ-28364-00
8	48257	I-SHAPED RUBBER DAMPER	11	4CZ-28365-00
9	11233	NUT M6	3	B51F30600R



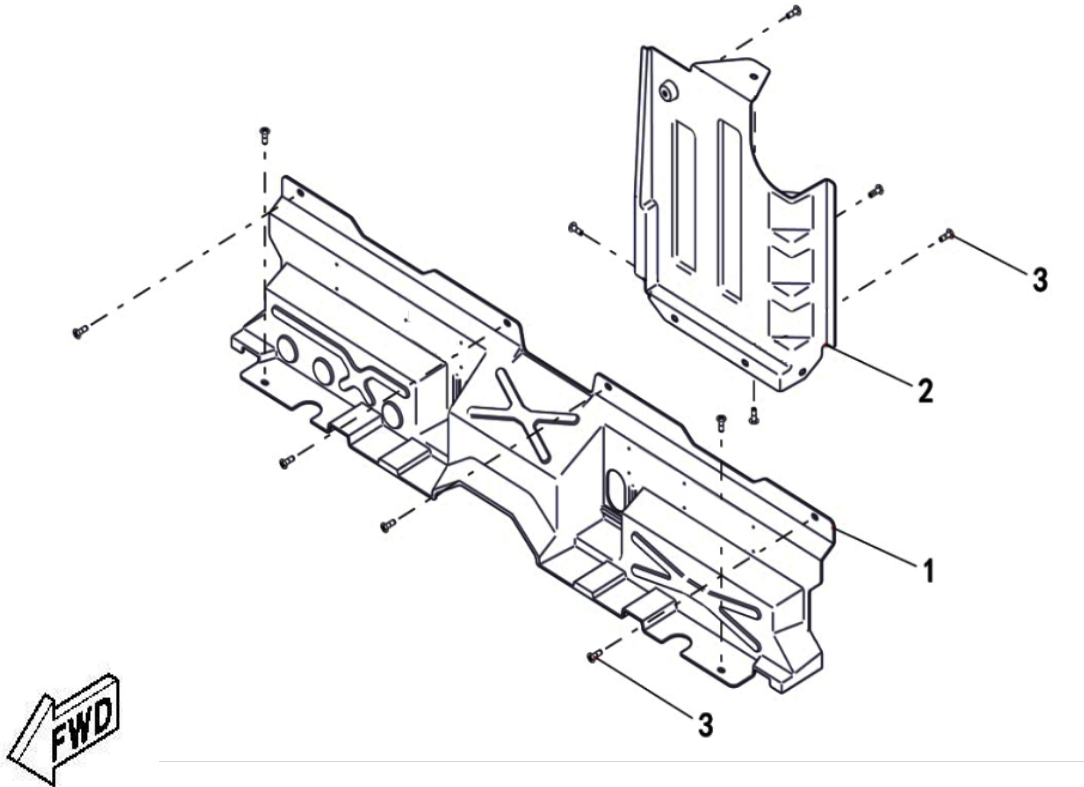
REF. No.	PART No.	DESCRIPTION	Q' TY	PLM
1	48277	CHASSIS GUARD, FRONT	1	4CZ-28431-00
2	47203	CHASSIS GUARD, MIDDLE	1	4DM-28432-00
3	48280	CHASSIS GUARD, MIDDLE REAR	1	4CZ-28434-00
4	47173	CHASSIS GUARD, REAR	1	4DM-28433-00
5	20331	INSTALLING WASHER	23	4AL-21290-00
6	11495	BOLT M6X16	29	B11A30616R

5 FENDER



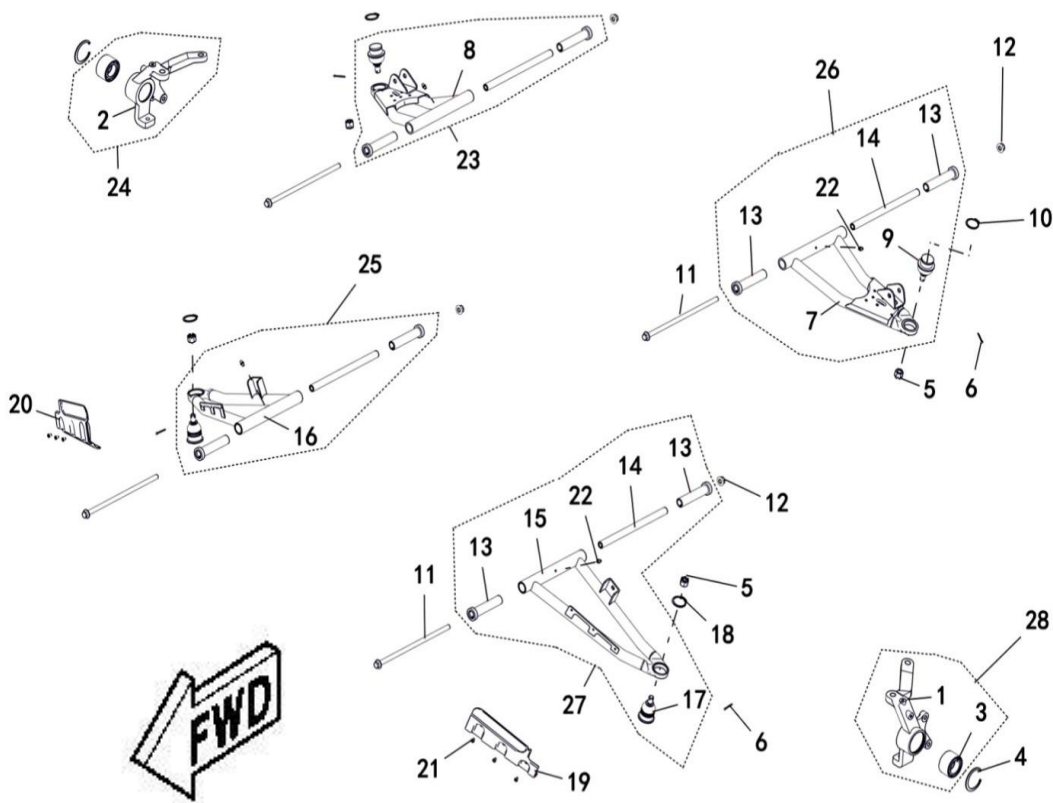
REF. No.	PART No.	DESCRIPTION	Q' TY	PLM
1	47204	FRONT SEAT CUSHION, HEAT SHIELD	1	4DM-28307-00
2	73056	SCREW M6X20	6	4CA-24834-00
3	70960	PLASTICS ELASTIC NUT	8	4CC-21811-00
4	47627	EXPANSION SCREW	4	4FJ-28319-00

## 5 FENDER



REF. No.	PART No.	DESCRIPTION	Q' TY	PLM
1	47659	SEAT, HEAT SHIELD	1	4FJ-28357-00
2	47205	FUEL TANK, PLATE, RH	1	4GL-28372-00
3	73056	BOLT M6X20	11	4CA-24834-00

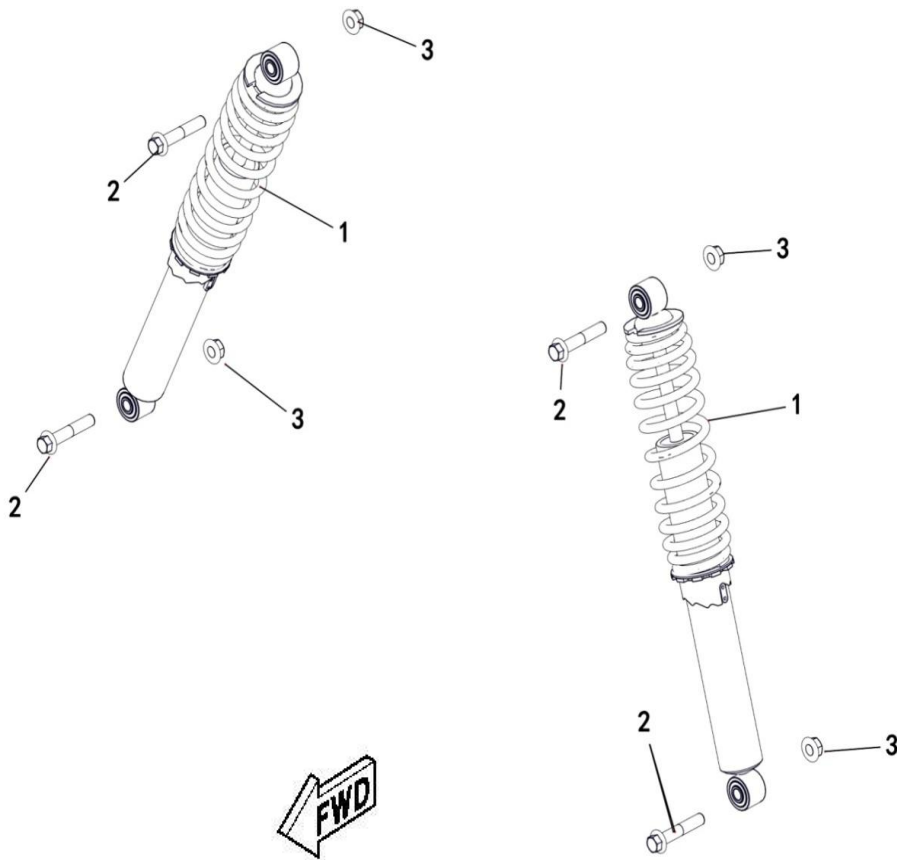
## 6 SHOCK ABSORBER FRONT



REF. No.	PART No.	DESCRIPTION	Q' TY	PLM
1	48091	CARRIER BEARING, FRONT, LH	1	4CZ-23103-00
2	48094	CARRIER BEARING, FRONT, RH	1	4CZ-23109-00
3	48092	BEARING DAC3055W	2	4CZ-23104-00
4	11852	CIRCLIP 55	2	B723355000
5	70679	NUT M12X1.25	4	4AB-23432-00
6	10993	PIN 3.2X30	4	B37723C300
7	47317	ARM UPPER FRT LH	1	4DM-23507-00
8	47318	ARM UPPER FRT RH	1	4DM-23508-00
9	48090	BALL JOINT, UPPER	2	4CZ-23102-00
10	11383	CIRCLIP 32	2	B753332000
11	48107	SCR HXFL, FRT ARM	4	4CZ-23503-00
12	11287	NUT M10X1.25	4	B52F31000A
13	48106	BUSHING, LONG	8	4CZ-23502-00
14	48105	SHAFT PIVOT	4	4CZ-23501-00
15	47774	ARM LWR FRT LH	1	4FJ-23504-00
16	47775	ARM LWR FRT RH	1	4FJ-23509-00
17	48089	BALL JOINT, LWR	2	4CZ-23101-00
18	12078	CIRCLIP 34	2	B753334000
19	84251	COVER, ARM LWR FRT LH	1	4CA-22101-00
20	84252	COVER, ARM LWR FRT RH	1	4CA-22102-00
21	11153	SCREW M5X10	6	B2BA30510R
22	27074	GREASE FITTING M6	4	B9A0106001
23	47776	ARM UPPER FRT RH ASSY	1	4FJ-23530-00
24	48336	CARRIER BEARING WHEEL RH ASSY	1	4CZ-23130-00
25	47777	ARM LWR FRT RH ASSY	1	4FJ-23540-00
26	47778	ARM UPPER FRT LH ASSY	1	4FJ-23510-00

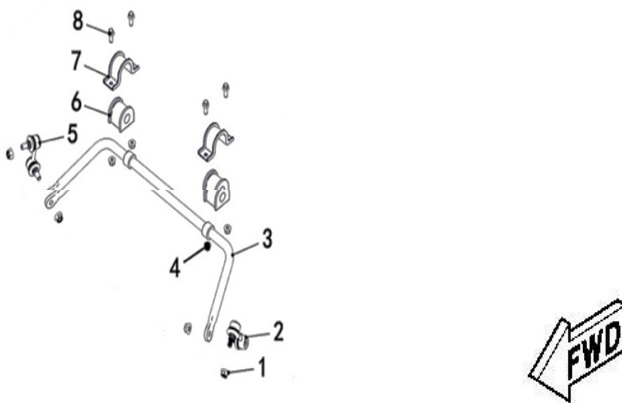
27	47779	ARM LWR FRT LH ASSY	1	4FJ-23520-00
28	48340	CARRIER BEARING WHEEL LH ASSY	1	4CZ-23120-00

## 6 SHOCK ABSORBER FRONT



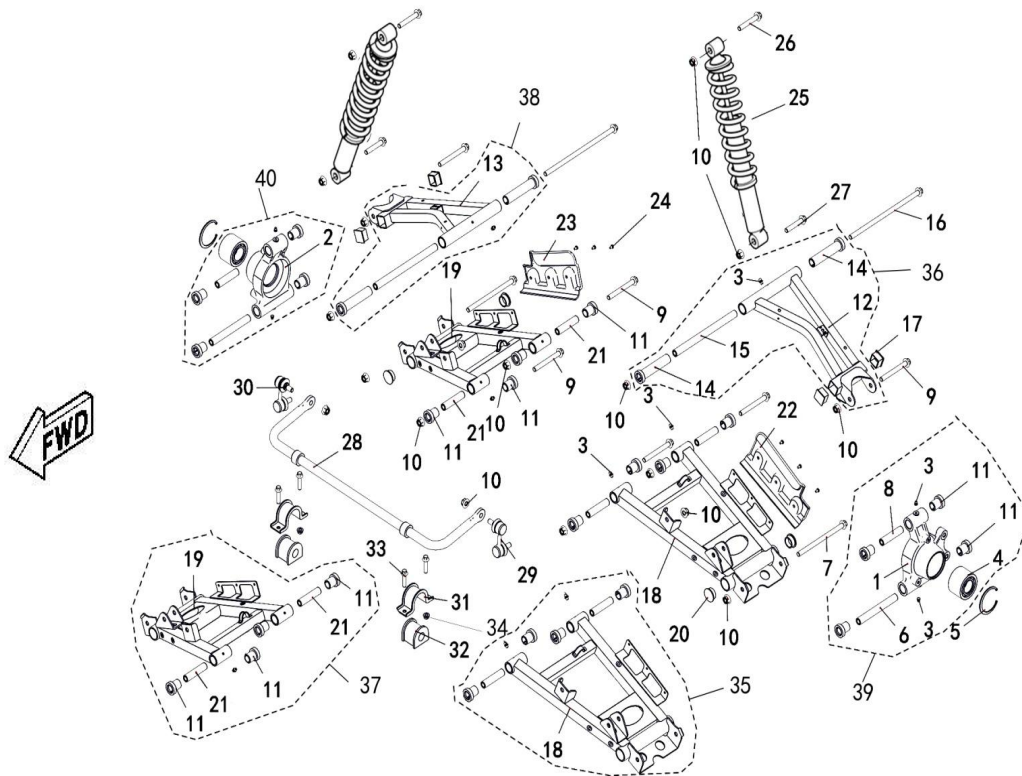
REF. No.	PART No.	DESCRIPTION	Q' TY	PLM
1	47206	FRONT SHOCK ABSORBER ASSY	2	4FJ-23106-00
2	11846	BOLT M10X1.25X57	4	B13D31057A
3	11287	NUT M10X1.25	4	B52F31000A

## 6 SHOCK ABSORBER FRONT



REF. No.	PART No.	DESCRIPTION	Q' TY	PLM
1	11287	NUT M10X1.25	4	B52F31000A
2	48081	BALL PIN, LH	1	4CZ-22153-00
3	48078	FRONT STABILIZER BAR	1	4CZ-22150-00
4	10882	NUT M8	4	B51F30800R
5	48080	BALL PIN, RH	1	4CZ-22152-00
6	27091	RUBBER SUPPORT SEAT	2	4CD-2386G-00
7	27090	RETAINING COVER	2	4CD-2386H-00
8	10783	BOLT M8X20	4	B11A30820R

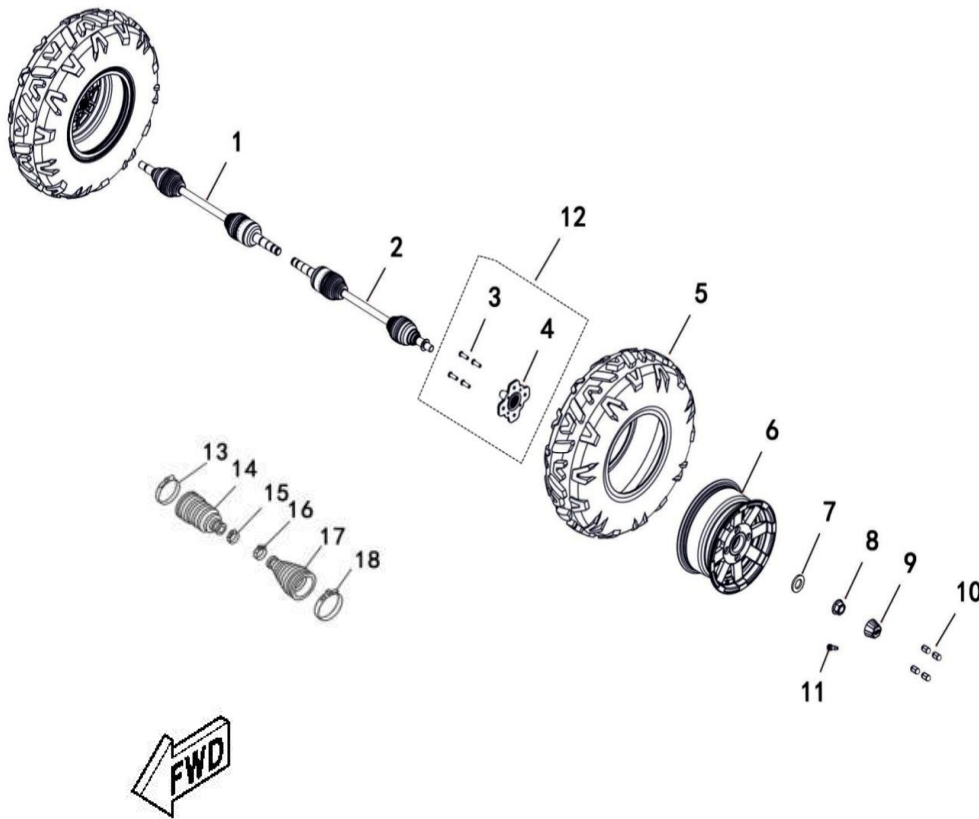
7 SHOCK ABSORBER REAR



REF. No.	PART No.	DESCRIPTION	Q'TY	PLM
1	48164	CARRIER BEARING WHEEL REAR LH	1	4CZ-25313-00
2	48165	CARRIER BEARING WHEEL REAR RH	1	4CZ-25314-00
3	27074	GREASE FITTING M6	10	B9A0106001
4	48077	BEARING DAC3063W	2	4CZ-22118-00
5	11155	CIRCLIP 63	2	B723363000
6	48161	SHAFT PIVOT ,LWR	2	4CZ-25302-00
7	48162	SCR HXFL, REAR ARM, LWR	2	4CZ-25303-00
8	48160	SHAFT PIVOT ,UPPER	2	4CZ-25301-00
9	11816	BOLT M10X1.25X90	6	B12D31090A
10	11287	NUT M10X1.25	18	B52F31000A
11	48070	BUSHING, SHORT	16	4CZ-22103-00
12	48074	ARM UPPER REAR LH	1	4CZ-22109-00
13	48075	ARM UPPER REAR RH	1	4CZ-22110-00
14	48106	BUSHING, LONG	4	4CZ-23502-00
15	48068	SHAFT, REAR UPPER ARM	2	4CZ-22101-00
16	48071	SCR HXFL, REAR UPPER ARM	2	4CZ-22104-00
17	70287	SQUARE RUBBER PLUG	4	4AB-21206-00
18	48072	ARM LWR REAR LH	1	4CZ-22105-00
19	48076	ARM LWR REAR RH	1	4CZ-22114-00
20	48073	PLUG	4	4CZ-22108-00
21	48069	SHAFT, REAR LWR ARM	4	4CZ-22102-00
22	84251	COVER, ARM LWR REAR LH	1	4CA-22101-00
23	84252	COVER, ARM LWR REAR RH	1	4CA-22102-00
24	11153	SCREW M5X10	6	B2BA30510R
25	48419	REAR SHOCK ABSORBER ASSY	2	4FE-22201-00
26	11848	BOLT M10X1.25X62.5	2	B13D3106CA
27	11846	BOLT M10X1.25X57	2	B13D31057A
28	48079	STABILIZER BAR	1	4CZ-22151-00

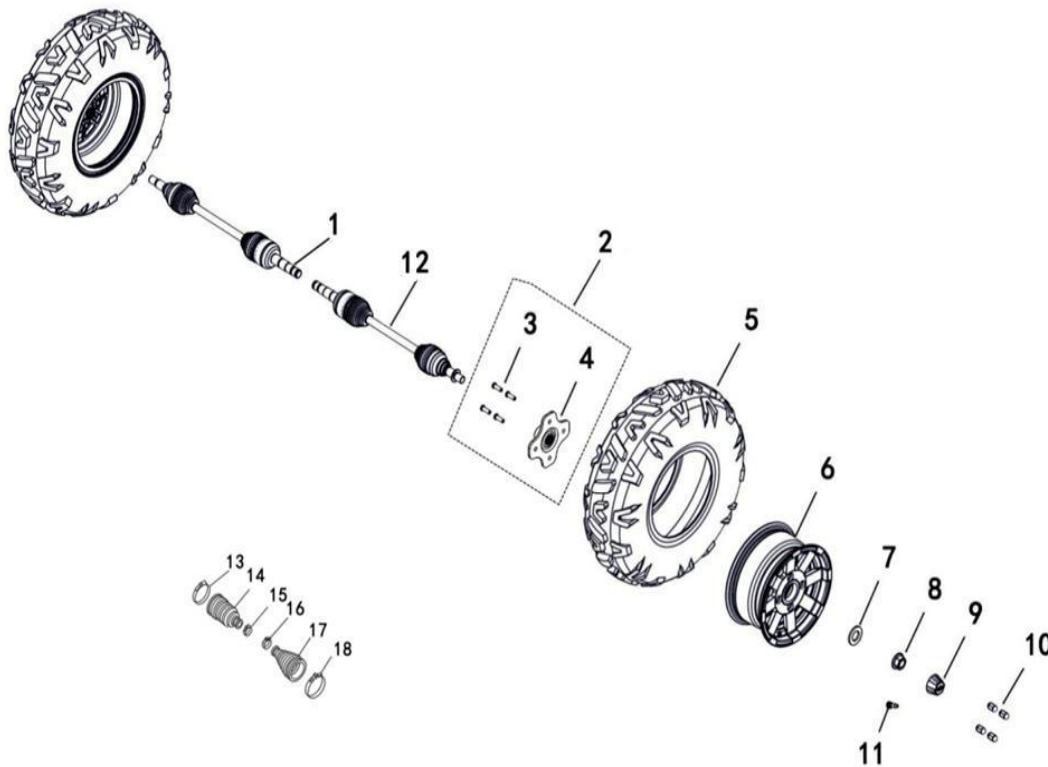
29	48081	BALL PIN, LH	1	4CZ-22153-00
30	48080	BALL PIN, RH	1	4CZ-22152-00
31	27090	BRACKET STABILIZER	2	4CD-2386H-00
32	27091	BUSHING STABILIZER	2	4CD-2386G-00
33	10783	BOLT M8X20	4	B11A30820R
34	10882	NUT M8	2	B51F30800R
35	48341	ARM LWR REAR LH ASSY	1	4CZ-22120-00
36	48342	ARM UPPER REAR LH ASSY	1	4CZ-22130-00
37	48343	ARM LWR REAR RH ASSY	1	4CZ-22140-00
38	48344	ARM UPPER REAR RH ASSY	1	4CZ-22160-00
39	48345	CARRIER BEARING WHEEL REAR LH ASSY	1	4CZ-25310-00
40	48346	CARRIER BEARING WHEEL REAR RH ASSY	1	4CZ-25320-00

8 WHEEL FRONT

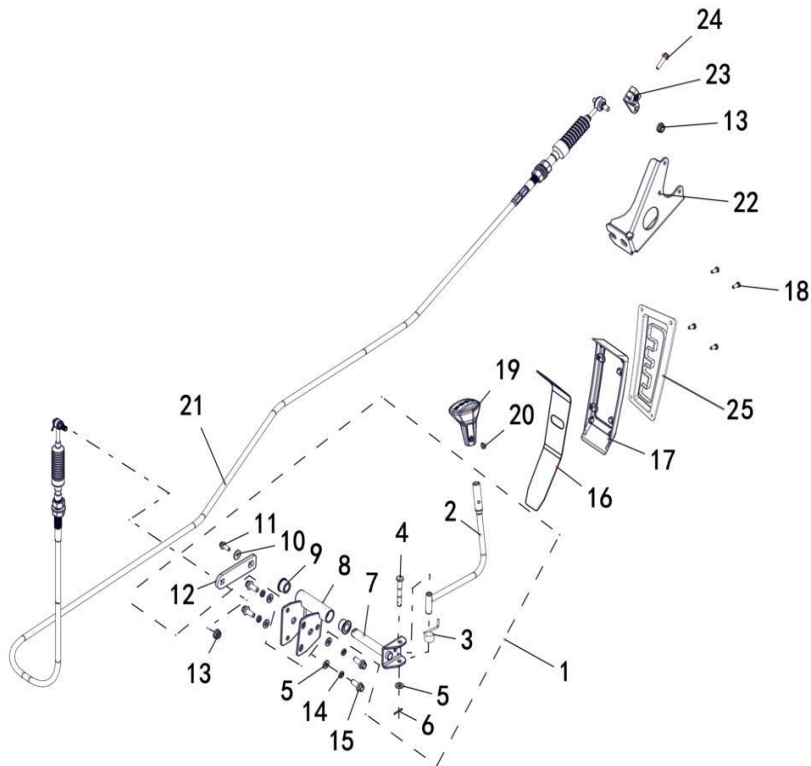


REF. No.	PART No.	DESCRIPTION	Q' TY	PLM
1	48355	FRONT RIGHT DRIVE AXLE	1	4CZ-25152-00
2	48356	FRONT LEFT DRIVE AXLE	1	4CZ-25151-00
3	48155	BOLT M10X1.25	8	4CZ-25108-00
4	48156	HUB ASSY SHRT	2	4CZ-25110-00
5	47207	FRONT TIRE AT26X8-12 (DURO)	2	4DM-25101-00
6	47664	WHEEL SUB-ASSY	2	4FJ-25101-00
6	47860	WHEEL SUB-ASSY (BRIGHT EDGES)	2	4FA-25101-10
7	48163	WASHER 24 (MATCH WITH 4FJ-25101-00)	2	4CZ-25312-00
7	21461	WASHER B (MATCH WITH 4FA-25101-10)	2	4AL-23539-00
8	48157	NUT M24, WHEEL	2	4CZ-25114-00
9	47665	CAP, WHEEL SUB-ASSY (MATCH WITH 4FJ-25101-00)	2	4FJ-2512A-00
9	70717	CAP, WHEEL SUB-ASSY (MATCH WITH 4FA-25101-10)	2	4AB-2512A-00
10	47804	NUT M10X1.25, WHEEL	8	4BH-25350-10
11	20807a	VALVE, RIM (TR412)	2	B972000001
12	48347	HUB FOR STEEL WHEEL ASSY	2	4CZ-25120-00
13	48570	CLIP 1	2	4CZ-25154-00
14	48571	BOOT (OUTSIDE)	2	4CZ-25155-00
15	48572	CLIP 2	2	4CZ-25156-00
16	48573	CLIP 3	2	4CZ-25157-00
17	48574	BOOT (INNER SIDE)	2	4CZ-25158-00
18	48575	CLIP 4	2	4CZ-25159-00

9 WHEEL REAR

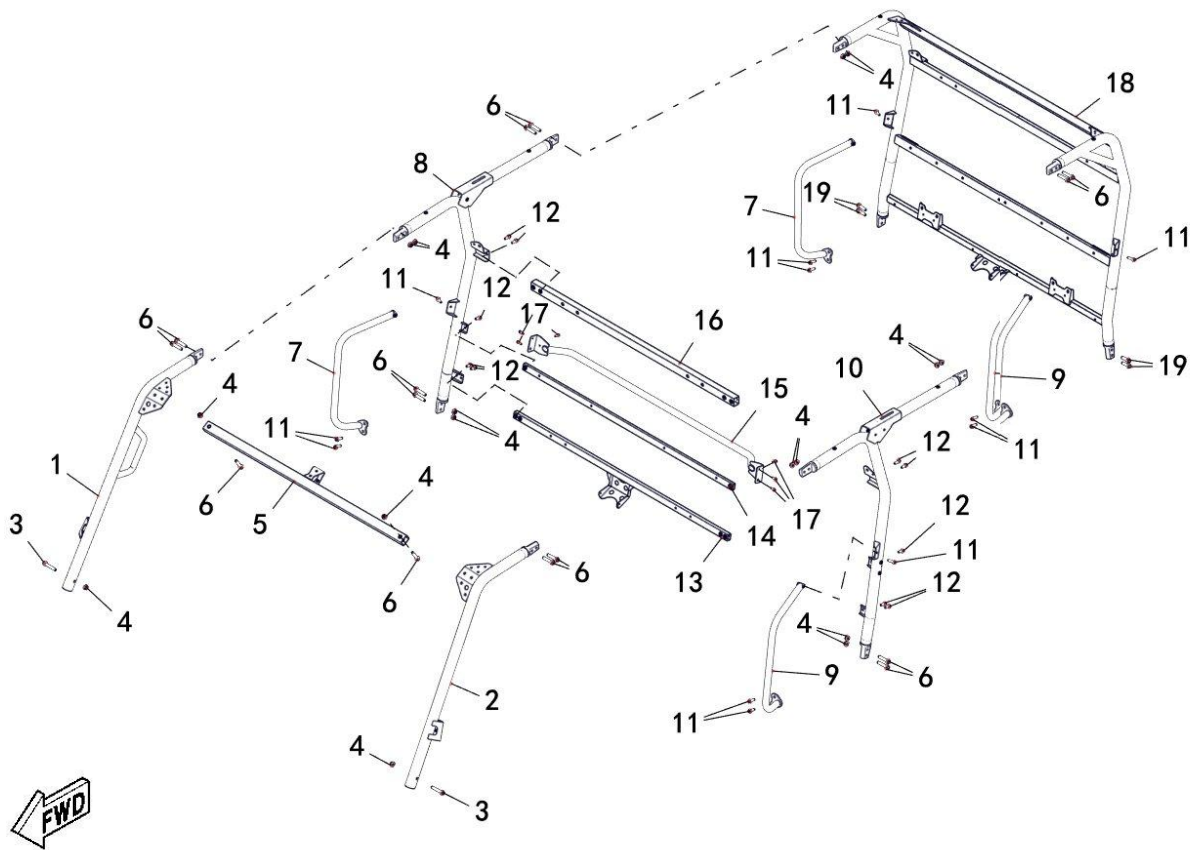


REF. No.	PART No.	DESCRIPTION	Q' TY	PLM
1	48167	REAR RIGHT DRIVE AXLE	1	4CZ-25352-10
2	48347	HUB FOR STEEL WHEEL ASSY	2	4CZ-25120-00
3	48155	BOLT M10X1.25	8	4CZ-25108-00
4	48156	HUB ASSY SHRT	2	4CZ-25110-00
5	47208	TIRE REAR AT26X10-12 (DURO)	2	4DM-25304-00
6	47669	WHEEL SUB-ASSY	2	4FJ-25301-00
6	47859	WHEEL SUB-ASSY (BRIGHT EDGES)	2	4FA-25301-10
7	48163	WASHER 24 (MATCH WITH 4FJ-25301-00)	2	4CZ-25312-00
7	21461	WASHER B (MATCH WITH 4FA-25301-10)	2	4AL-23539-00
8	48157	NUT M24, WHEEL	2	4CZ-25114-00
9	47665	CAP, WHEEL SUB-ASSY (MATCH WITH 4FJ-25301-00)	2	4FJ-2512A-00
9	70717	CAP, WHEEL SUB-ASSY (MATCH WITH 4FA-25301-10)	2	4AB-2512A-00
10	47804	NUT M10X1.25, WHEEL	8	4BH-25350-10
11	20807a	VALVE, RIM (TR412)	2	B972000001
12	48166	REAR LEFT DRIVE AXLE	1	4CZ-25351-10
13	48570	CLIP 1	2	4CZ-25154-00
14	48571	BOOT (OUTSIDE)	2	4CZ-25155-00
15	48572	CLIP 2	2	4CZ-25156-00
16	48573	CLIP 3	2	4CZ-25157-00
17	48574	BOOT (INNER SIDE)	2	4CZ-25158-00
18	48575	CLIP 4	2	4CZ-25159-00



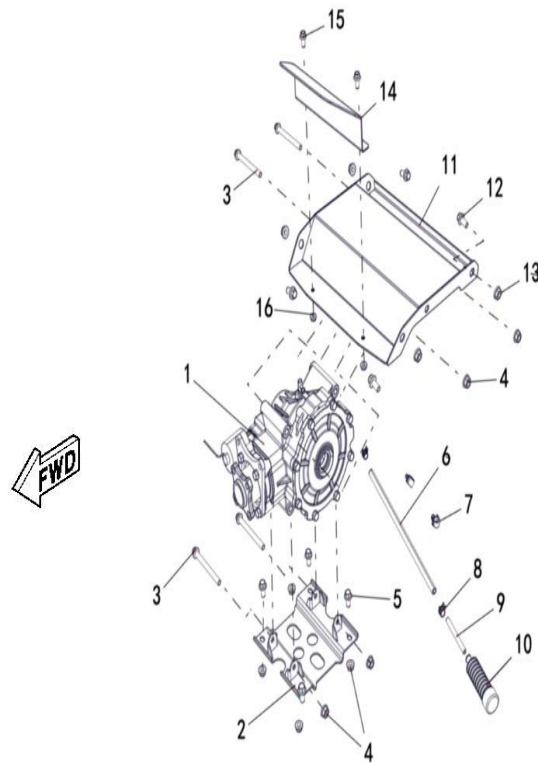
REF. No.	PART No.	DESCRIPTION	Q' TY	PLM
1	47209	FRONT SHIFT GEAR ASSEMBLY	1	4DM-18310-00
2	47210	SHIFTER LEVER WELDING ASSEMBLY	1	4DM-18313-00
3	47211	SPRING, SHIFTING	1	4DM-18320-00
4	48046	PIN, GEARSHIFTER	1	4CZ-18117-00
5	11788	WASHER 8	5	B637308000
6	10685	COTTER PIN 2X16	1	B377202160
7	47212	BRACKET	1	4DM-18316-00
8	47213	BRACKET, FRONT	1	4DM-18314-00
9	56032	BUSHING	2	4DF-23506-00
10	11391	WASHER 6	1	B617306000
11	11495	BOLT M6X16	1	B11A30616R
12	47214	ROCKER, FRONT	1	4DM-18312-00
13	10882	NUT M8	2	B51F30800R
14	10106	WASHER SPRING 8	4	B653308000
15	10783	BOLT M8X20	4	B11A30820R
16	56067	COVER, DUST	1	4DF-18317-00
17	56328	SHIFT GUARD PLATE SUPPORT PLATE	1	4DF-18328-00
18	47789	HEXAGON SELF-TAPPING SCREW M5X16	4	4FJ-24830-00
19	47215	KNOB SHIFTER	1	4DM-18104-00
20	73072	SCREW M5X10	1	4CA-26111-00
21	47216	CABLE, SHIFTER	1	4DM-18303-00
22	47217	BRACKET	1	4CZ-18316-10
23	47218	ROCKER	1	4CZ-18315-10
24	11307	BOLT M6X25	1	B13A40625R
25	47219	COVER, SHIFT LEVER	1	4DM-28353-00

11 FRAME ROOF



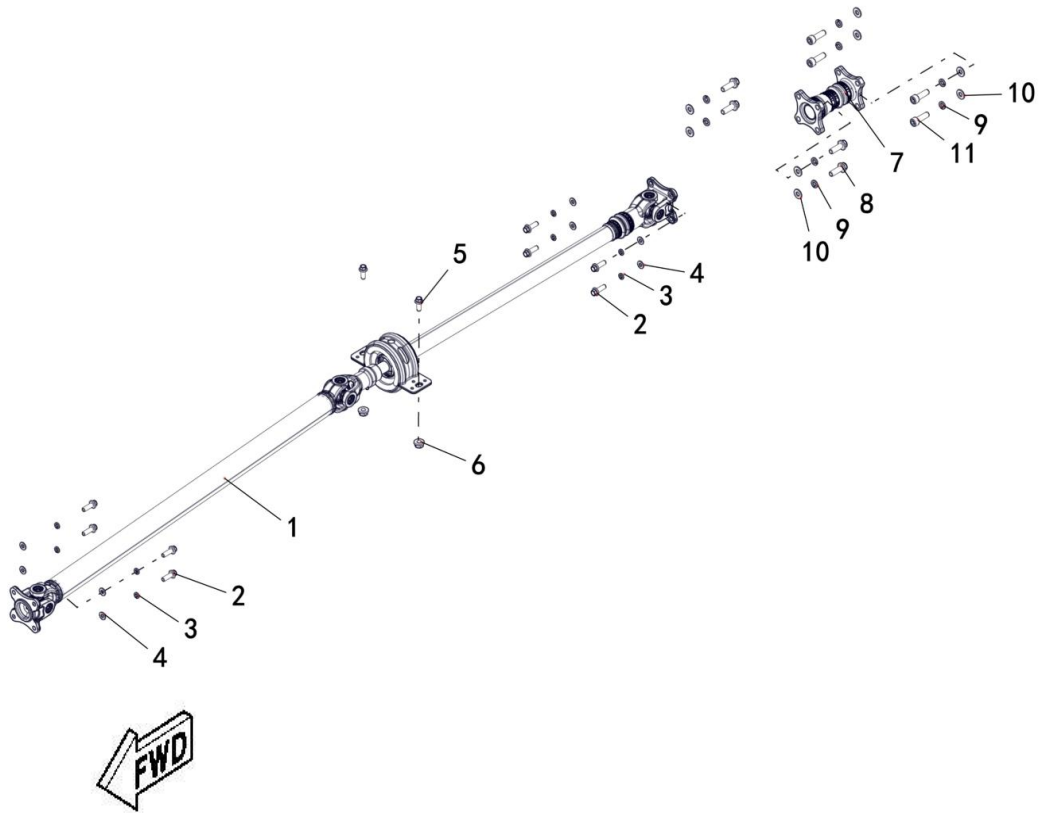
REF. No.	PART No.	DESCRIPTION	Q'TY	PIN	I/C	PLM
1	47679	MEMBER, ROOF FRAME, FRONT RH	1			4FJ-22816-00
2	47680	MEMBER, ROOF FRAME, FRONT LH	1			4FJ-22817-00
3	11846	BOLT M10X1.25X57	2			B13D31057A
4	11287	NUT M10X1.25	16			B52F31000A
5	47681	MEMBER, ROOF FRAME , FRONT	1			4FJ-22818-00
6	11851	BOLT M10X1.25X50	14			B13D31050A
7	47684	HANDREST PIPE, RH	2			4FJ-78304-00
8	47220	MEMBER, ROOF FRAME, MIDDLE RH	1			4DM-22816-00
9	47683	HANDREST PIPE, LH	2			4FJ-78303-00
10	47221	MEMBER, ROOF FRAME, MIDDLE LH	1			4DM-22815-00
11	10059	BOLT M8X25	12			B11A30825R
12	10783	BOLT M8X20	10			B11A30820R
13	47222	BRACKET, BACKREST, LOWER	1			4DM-22817-00
14	47223	BRACKET, BACKREST, UPPER	1			4DM-22818-00
15	47224	MEMBER, ARMREST, REAR	1			4DM-22821-00
16	47225	BRACKET, HEADREST	1			4DM-22819-00
17	11495	BOLT M6X16	6			B11A30616R
18	47226	MEMBER, ROOF FRAME, REAR	1			4DM-22820-00
19	11240	BOLT M10X1.25X35	4			B13A31035A

## 12 REAR AXLE INSTALLATION



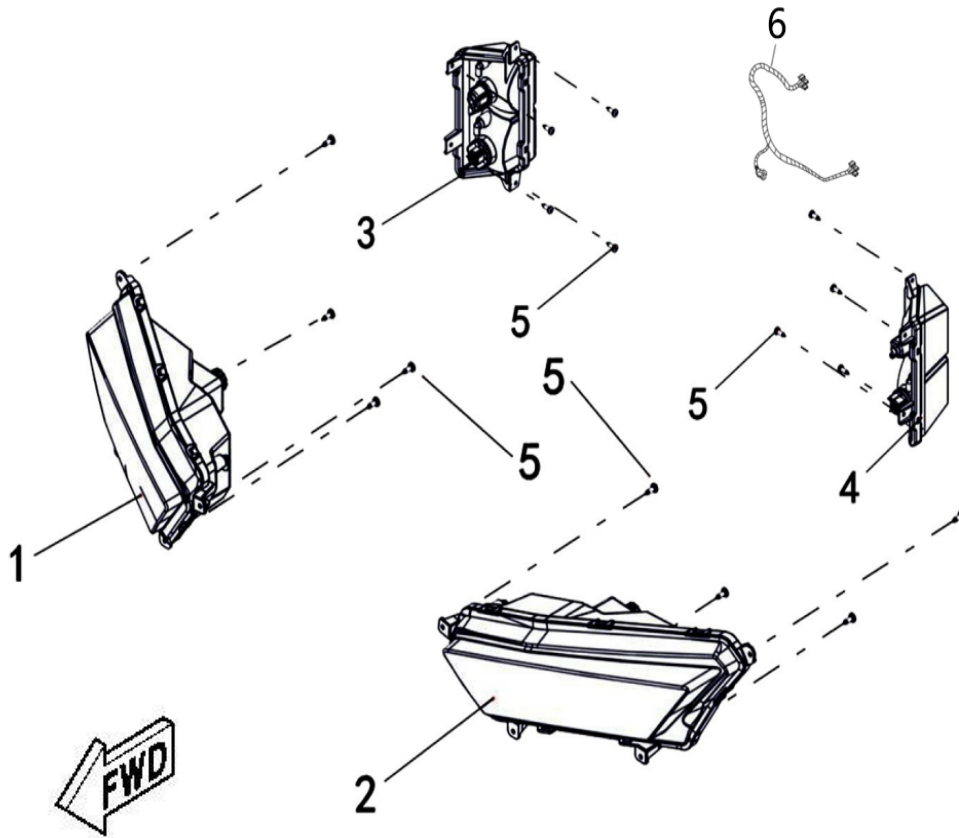
REF. No.	PART No.	DESCRIPTION	Q'TY	PIN	I/C	PLM
1	48113	REAR AXLE	1			4CZ-23800-00
2	48056	BRACKET, LWR, REAR AXLE	1			4CZ-21201-00
3	11272	BOLT M10X1.25X110	4			B12D310U0A
4	11287	NUT M10X1.25	8			B52F31000A
5	11036	BOLT M10X1.25X20	4			B12D31020A
6	48376	VENT PIPE (φ 7X φ 10X400)	1			4CZ-46169-00
7	48191	BUCKLE	2			4CZ-25901-00
8	25107	CLIP	2			4AL-23843-00
9	35918	LINK, BREATHING AIR	1			4BM-23811-00
10	35919	BREATHING AIR	1			4BM-23812-00
11	48767	BRACKET, UPPER, REAR AXLE	1			4CZ-21403-00
12	11236	BOLT M8X16	4			B11A40816R
13	10882	NUT M8	4			B51F30800R
14	48766	HEAT PROTECTION PLATE, BRAKE ALIPER	1			4CZ-21404-00
15	10140B	BOLT M6X12	2			B11A30612R
16	11233	NUT M6	2			B51F30600R

16 FRONT AND REAR KNUCKLE ASSY



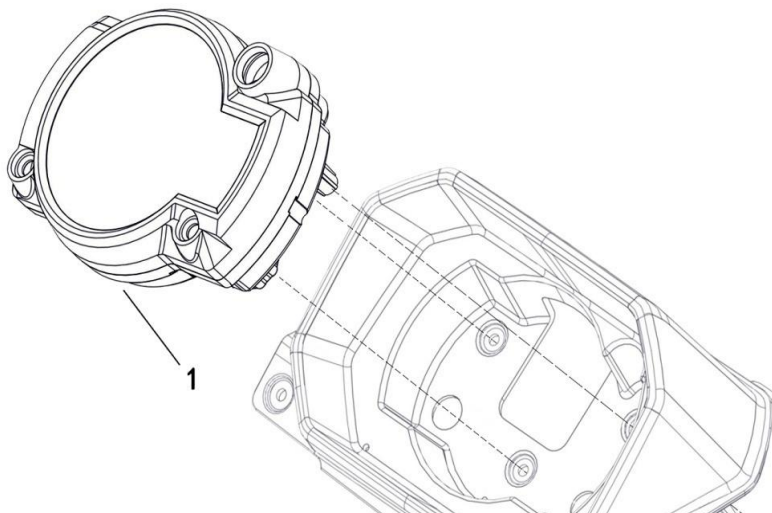
REF. No.	PART No.	DESCRIPTION	Q' TY	PLM
1	47229	FRONT PROP SHAFT	1	4DM-4611A-00
2	11315	BOLT M8X1.0X25	8	B12C30825C
3	10106	WASHER SPRING 8	8	B653308000
4	11788	WASHER 8	8	B637308000
5	11036	BOLT M10X1.25X20	2	B12D31020A
6	11287	NUT M10X1.25	2	B52F31000A
7	48282	REAR PROP SHAFT	1	4CZ-4611B-00
8	11257	BOLT M10X1.25X30	4	B12D41030A
9	11021	WASHER SPRING 10	8	B653310000
10	11330	WASHER 10	8	B637310000
11	11850	BOLT M10X1.25X32	4	B22D31032A

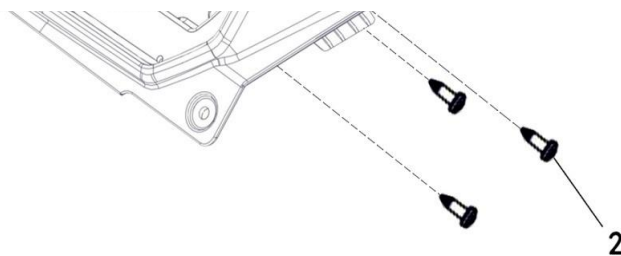
18 ELECTRICAL SYSTEM



REF. No.	PART No.	DESCRIPTION	Q' TY	PLM
1	47690	HEADLIGHT, R	1	4FJ-84320-00
2	47691	HEADLIGHT, L	1	4FJ-84310-00
3	47692	TAILLIGHT, R	1	4FJ-84720-00
4	47693	TAILLIGHT, L	1	4FJ-84710-00
5	48316	TAPPING SCREW M5X16	16	97707-05016
6	47329	TAILLIGHT TRANSITION LINE	1	4DM-84790-00

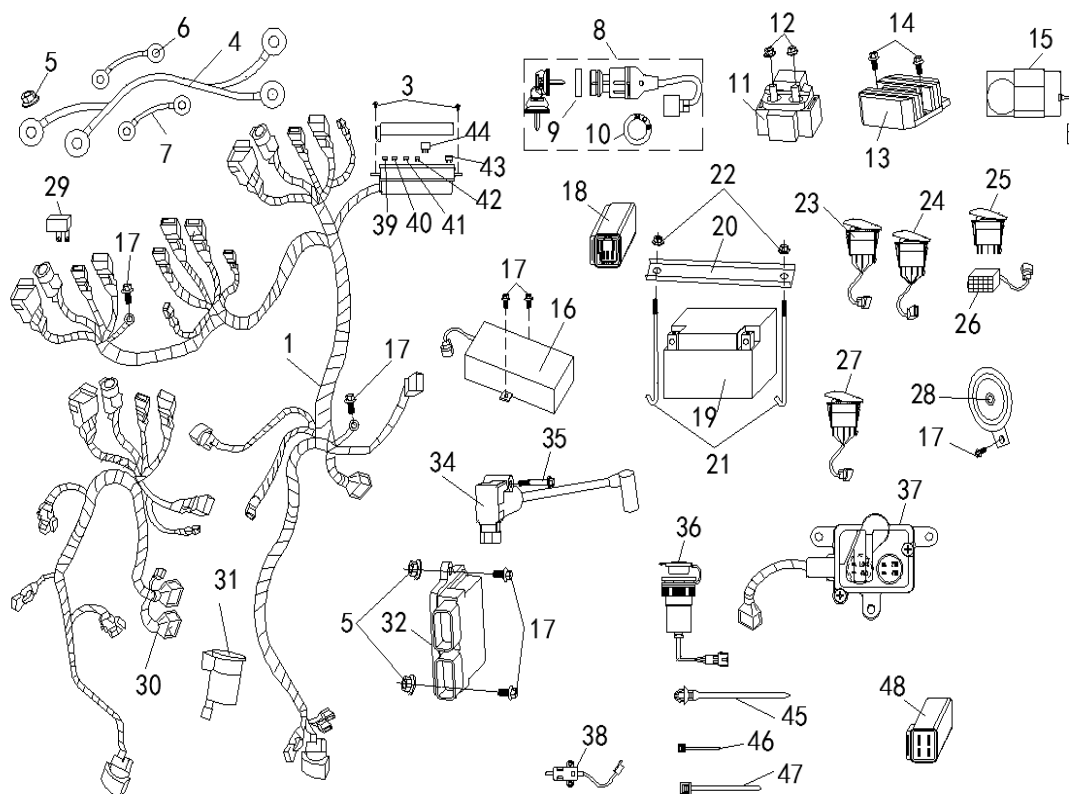
18 ELECTRICAL SYSTEM





REF. No.	PART No.	DESCRIPTION	Q' TY	PLM
1	47230	BRACKET, METER	1	4DM-83500-00
2	48316	TAPPING SCREW M5 X16	3	97707-05016

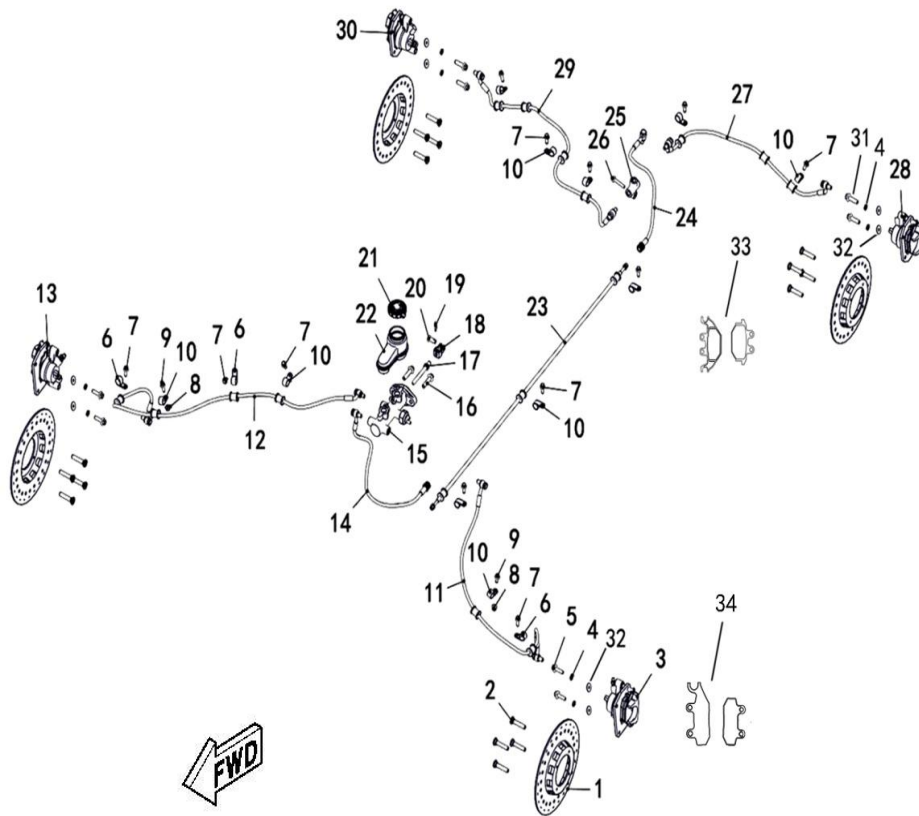
## 18 ELECTRICAL SYSTEM



REF. No.	PART No.	DESCRIPTION	Q' TY	PLM
1	47231	WIRING HARNESS	1	4DM-82590-00
2	40140B	BOLT M6X12	2	B11A30612R
3	48316	TAPPING SCREW M5 X16	2	97707-05016
4	47232	CABLE OF STARTING 1	1	4DM-82591-00
5	11233	NUT M6	3	B51F30600R
6	47233	CABLE OF STARTING 2	1	4DM-82592-00
7	47234	CABLE OF STARTING 3	1	4DM-82593-00
8	48397	LOCK ASSY	1	4CZ-82511-00
9	48295	LOCK	1	4CZ-82504-00
10	48551	LOCK DECAL	1	4CZ-825T1-00
11	71602	STARTING RELAY	1	4AA-81940-00
12	11176	NUT M6	2	B55F20600R
13	71603	RECTIFIER REGULATOR	1	4AA-81960-00
14	11496	BOLT M6X30	2	B11A30630R
15	71976	REVERSING BUZZER	1	4CA-83351-00

16	47235	SOLENOID VALVE CONTROLLER	1	4CZ-82660-20
17	11495	BOLT M6X16	7	B11A30616R
18	71474	EFI RELAY	1	4AB-81980-00
19	73895	BATTERY (12V 30AH)	1	4CZ-82120-00
20	48327	PLATE FOR BATTERY	1	4CZ-21995-00
21	47699	FASTENING ROD OF BATTERY	2	4FJ-21901-00
22	10882	NUT M8	2	B51F30800R
23	47700	HIGH/LOW BEAM SWITCH	1	4DF-82112-00
24	73306	REAR DIFF SWITCH	1	4CF-82127-00
25	47072	TURNING LIGHTS SWITCH	1	4CH-82530-00
26	73439	WIRE, TURNING LIGHTS SWITCH	1	4CF-82107-00
27	48298	HORN SWITCH	1	4CZ-82527-00
28	70404	HORN	1	4AB-83300-00
29	26272	PROTECTOR	2	3AB-82600-00
30	47236	WIRING HARNESS FOR EFI	1	4DM-82500-00
31	27438	FLASHER RELAY ASSY	1	4AD-83350-01
32	47237	ECU (No speed limit)	1	4DM-86000-30
33	11449	BOLT M6X25	2	B11L30620R
34	70822D	IGNITION COIL	1	1BD-82301-00
35	11260	BOLT M6X40	1	B11A40640R
36	36120	ACCESSORY SOCKET ASSY FOR USB	1	4BB-82101-00
37	26434	4WD SWITCH	1	4CR-82101-00
38	48293	PARKING SWITCH	1	4CZ-82101-00
39	48360	5 AMP FUSE	2	4CZ-82505-00
40	48361	10 AMP FUSE	1	4CZ-82510-00
41	48362	15 AMP FUSE	3	4CZ-82515-00
42	48363	20 AMP FUSE	1	4CZ-82520-00
43	84275	30 AMP FUSE	1	4CH-82503-00
44	35083	AUXILIARY RELAY	5	4AV-81900-00
45	48294	CABLE TIE	24	4CZ-82130-00
46	11334	TIE 150X4	7	4CC-28110-00
47	55016	TIE 300X8	20	4CR-81910-00
48	50280	FUEL PUMP RELAY	1	3AG-81900-00

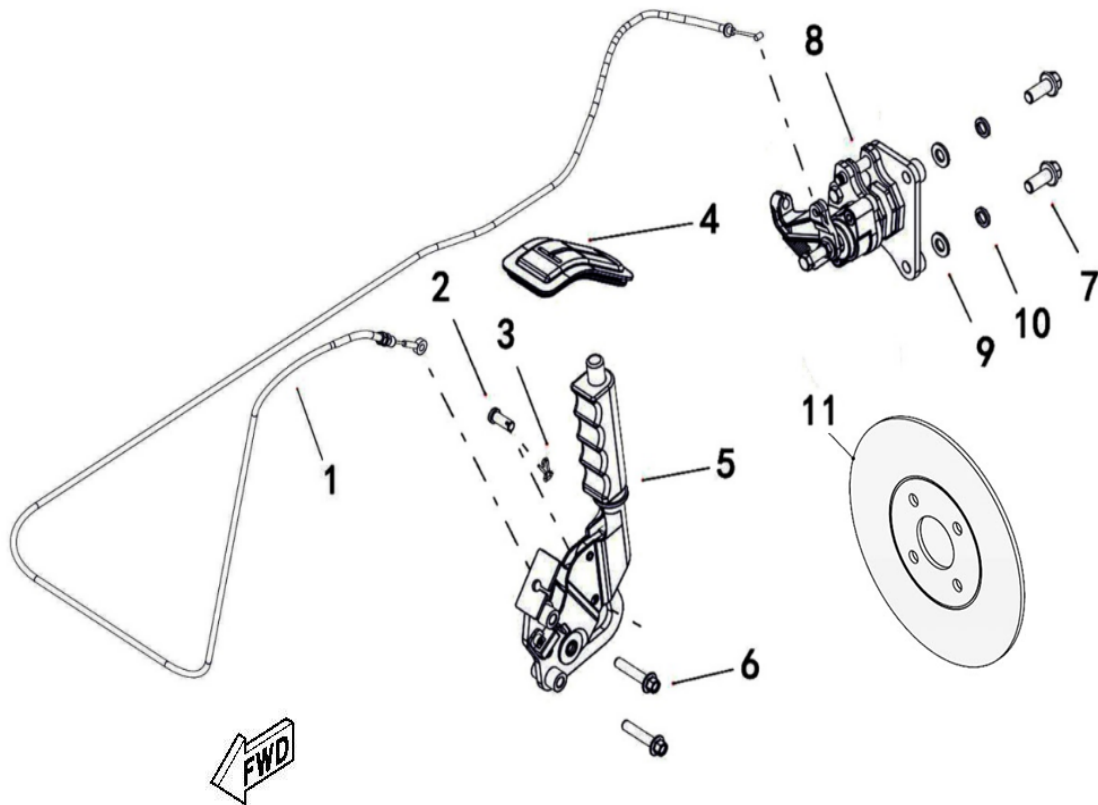
19 BRAKING SYSTEM



REF. No.	PART No.	DESCRIPTION	Q' TY	PLM
1	48770	BRAKE ROTOR, DRIVER (YM)	4	4CZ-25810-00-02
2	48000	BOLT, BRAKE ROTOR	16	3CB-2583U-10
3	47320	BRAKE CALIPER, LEFT, FRONT (YM)	1	4FE-25802-00-02
4	10106	SPRING 8	8	B653308000
5	11466	BOLT M8X25 (10.9)	4	B14D30825R
6	48772	CLAMP 1 (YM)	3	4CZ-25811-00-02
7	11495	BOLT M6X16	12	B11A30616R
8	11233	NUT M6	2	B51F30600R
9	11459	BOLT M6X20	2	B11A30620R
10	48773	CLAMP 2 (YM)	11	4CZ-25812-00-02
11	47321	HOSE 1 (YM)	1	4FE-25809-00-02
12	47322	HOSE 2 (YM)	1	4FE-25813-00-02
13	47323	BRAKE CALIPER, RIGHT, FRONT (YM)	1	4FE-25803-00-02
14	48777	HOSE 3 (YM)	1	4CZ-25814-00-02
15	47324	MASTER CYLINDER (YM)	1	4FE-25804-00-02
16	10059	BOLT M8X25	2	B11A30825R
17	47330	PUSH ROD (YM)	1	4FJ-25802-00-02
18	48780	CLEVIS (YM)	1	4CC-25824-00-02
19	10094	COTTER PIN 2X20	1	B377202200
20	48781	CLEVIS PIN (YM)	1	4CC-25825-00-02
21	48782	BRAKE RESRVOIR, COVER (YM)	1	4CZ-25808-00-02
22	48783	BRAKE RESRVOIR (YM)	1	4CZ-25807-00-02
23	47325	TUBE (YM)	1	4DM-25820-00-02
24	48785	HOSE 4 (YM)	1	4CZ-25816-00-02
25	48786	FITTING, TEE (YM)	1	4CZ-25817-00-02
26	11105	BOLT M6X35	1	B11A30635R

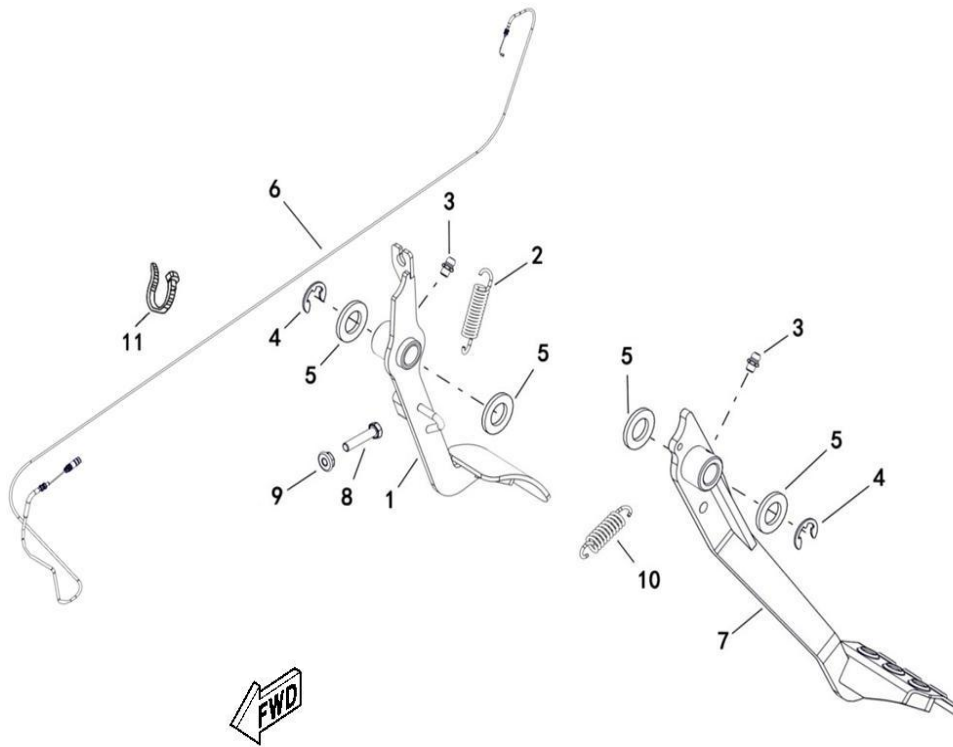
27	48787	HOSE 5 (YM)	1	4CZ-25818-00-02
28	48788	BRAKE CALIPER, LEFT, RARE (YM)	1	4CZ-25805-00-02
29	48789	HOSE 6 (YM)	1	4CZ-25819-00-02
30	48790	BRAKE CALIPER, RIGHT, RARE (YM)	1	4CZ-25806-00-02
31	10060	BOLT M8X1.25X28	4	B11A30828R
32	10068	WASHER 8	8	B631308000
33	48791	BRAKE PADS, REAR (YM)	2	4CZ-25821-00-02
34	47319	BRAKE PADS, FRONT (YM)	2	4FE-25807-00-02

20 AUXILIARY BRAKE

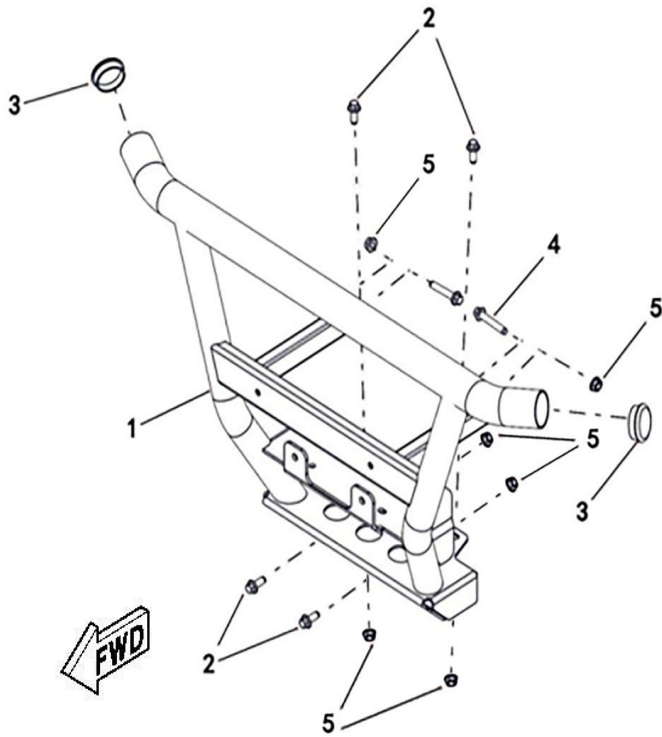


REF. No.	PART No.	DESCRIPTION	Q' TY	PLM
1	47239	PARK BRAKE CABLE	1	4DM-26342-00
2	48171	PIN AXLE	1	4CZ-25792-00
3	48172	PIN, R	1	4CZ-25793-00
4	48170	RUBBER, PARK BRAKE	1	4CZ-25791-00
5	48169	PARK BRAKE LEVER	1	4CZ-25790-00
6	11045	BOLT M8X40	2	B11A30840R
7	11850	BOLT M10X1. 25X32	2	B22D31032A
8	48328	BRAKE (ALIPER)	1	4CZ-26220-00
9	11021	SPRING WASHER 10	2	B653310000
10	11330	WASHER 10	2	B637310000
11	48793	PARK BRAKE DISC (YM)	1	4CZ-25701-00-02

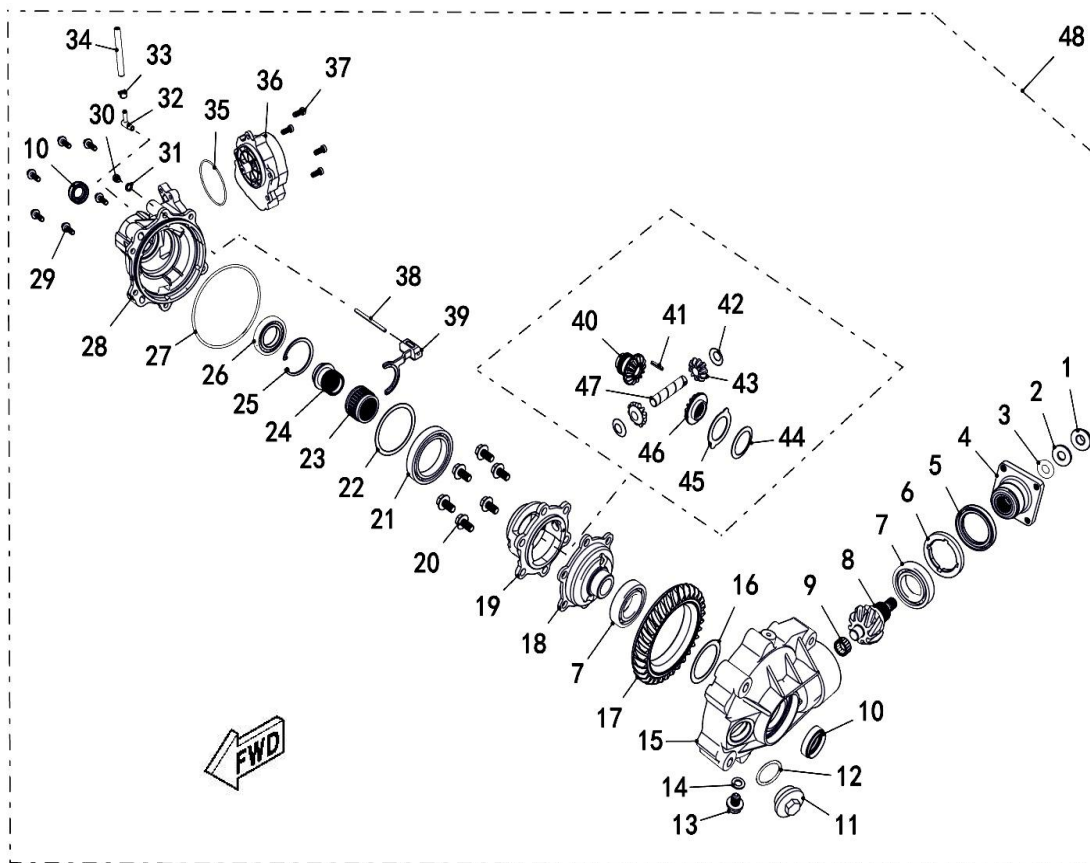
21 ACCELERATE PEDAL AND BRAKE PEDAL



REF. No.	PART No.	DESCRIPTION	Q'TY	PLM
1	47709	ACCELERATE PEDAL ASSY	1	4FJ-27801-00
2	73204	PEDAL SPRING, ACCELERATE	1	4CF-27210-00
3	27074	GREASE FITTING M6	2	B9A0106001
4	10811	LOCK WASHER 12 FOR SHAFTS	2	DIN6799
5	11247	WASHER 16	4	B637316000
6	47240	THROTTLE CABLE	1	4DM-26343-00
7	47711	BRAKE PEDAL ASSY	1	4FJ-27200-00
8	11496	BOLT M6X30	1	B11A30630R
9	11176	NUT M6	1	B55F20600R
10	47712	PEDAL SPRING, BRAKE	1	4FJ-27210-00
11	55016	TIE 300X8	1	4CR-81910-00



REF. No.	PART No.	DESCRIPTION	Q' TY	PLM
1	47713	FRONT BUMPER	1	4FJ-28410-00
2	10783	BOLT M8X20	4	B11A30820R
3	26763	PLUG	2	4CC-28412-00
4	11101	BOLT M8X45	2	B11A30845R
5	10882	NUT M8	6	B51F30800R



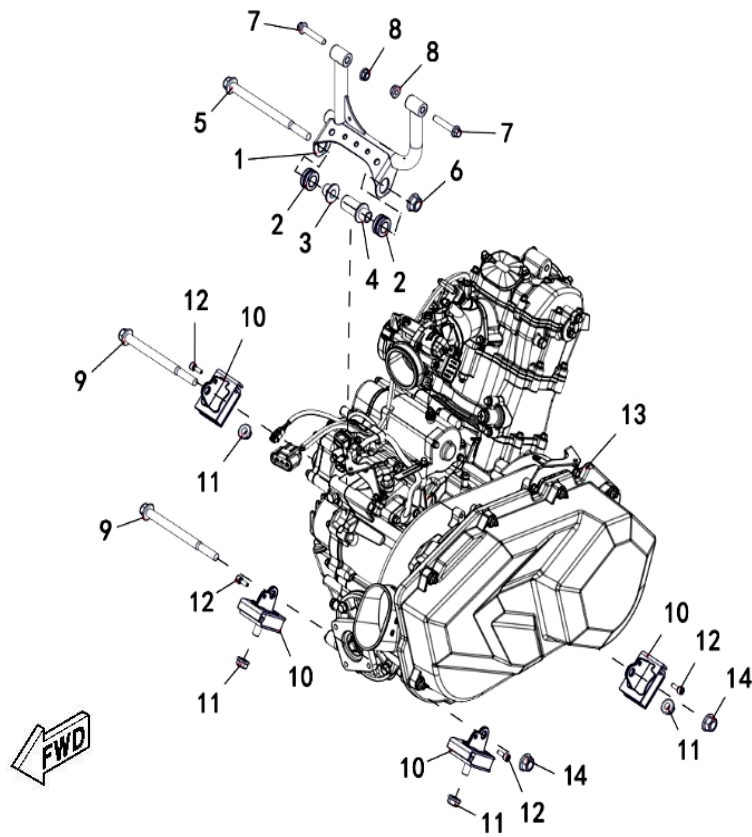
REF. No.	PART No.	DESCRIPTION	Q' TY	PLM
1	26318	NUT, FRONT OUTPUT SHAFT	1	4CR-46149-00
2	26324	WASHER, FRONT OUTPUT SHAFT NUT	1	4CR-46155-00
3	35428	O-RING	1	1BE-46169-00
4	26330	COUPLER, FRONT AXLE	1	4CR-46162-00
5	35423	OIL SEAL 48X65X9	1	1BE-46166-00
6	26317	BEARING RETAINER	1	4CR-46148-00
7	35424	BEARING 6007	2	BCC0100069
8	48286	BEVEL GEAR -DRIVING (9 TEEEH)	1	4CZ-46160-00
9	35429	NEEDLE BEARING	1	1BE-46170-00
10	35410	OIL SEAL 24X38X8	2	1BE-46131-00
11	24305	FILL PLUG	1	1AC-15191-00
12	50082	O-RING 30. 5X3	1	1AC-15126-00
13	73020	DRAIN BOLT	1	1CA-23818-00
14	73021	WASHER 10	1	1CA-23819-00
15	48284	GEAR CASE, FRONT AXLE	1	4CZ-46151-00
16	26323	ADJUSTING SHIM (61X48)	as needed	4CR-46154-00
17	48287	BEVEL GEAR -DRIVEN (33 TEEEH)	1	4CZ-46161-00
18	26334	TOP BRACKET, DIFFERENTIAL GEAR	1	4CR-46167-00
19	26332	BRACKET, DIFFERENTIAL	1	4CR-46165-00
20	26331	BOLT M10X1. 25X20	6	4CR-46164-00
21	10959	BEARING 61912	1	BCC0100105
22	26322	ADJUSTING SHIM (83X71)	as needed	4CR-46153-00
23	26315	DRIVE CLUTCH	1	4CR-46144-00
24	26316	DRIVE CLUTCH COVER	1	4CR-46147-00
25	10047	CIRCLIP 62	1	B723362000
26	10960	BEARING 16007	1	BCC0100106

27	35401	O-RING 141X2.4	1	1BE-46151-00
28	48285	FRONT AXLE BOX COVER	1	4CZ-46152-00
29	10059	BOLT M8X25	6	B11A30825R
30	11075	SCREW M8X8	1	B22A20808R
31	35162	WASHER 8	1	1BE-12247-00
32	47717	VENT NOZZLE	1	1CA-23820-00
33	25107	CLIP	1	4AL-23843-00
34	48288	VENT PIPE (φ 7X φ 10XL500)	1	4CZ-46168-00
35	35389	O-RING 81.2X1.9	1	1BE-46142-00
36	35388	GEAR MOTOR	1	4AV-81800-00
37	35391	SCREW M8X20	4	B22A50820R
38	10957	PIN SHAFT 5X80	1	B313105800
39	26314	SHIFT FORK	1	4CR-46143-00
40	35434	DRIVE GEAR	1	1BE-46181-00
41	11076	PIN 5X25	1	B322305250
42	26327	WEARING RING	2	4CR-46159-00
43	35437	GEAR (CENTER) , DIFFERENTIAL	2	1BE-46184-00
44	26325	WASHER	1	4CR-46156-00
45	26326	SHIM	1	4CR-46157-00
46	35440	DRIVEN GEAR	1	1BE-46187-00
47	26333	GEAR SHAFT	1	4CR-46166-00
48	48283	FRONT AXLE	1	4CZ-46150-00

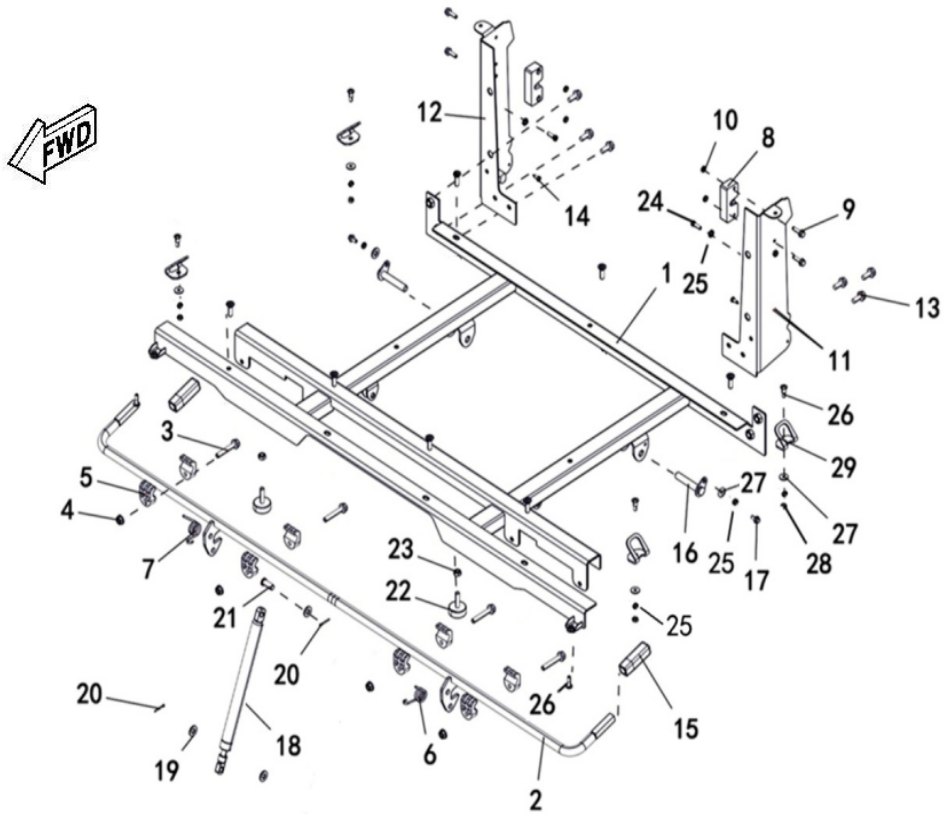


27	48117	BEVEL GEAR -DRIVEN(33 TEETH)	1	4CZ-23807-00
28	27587	DIFF CASE	1	4BB-23808-10
29	27588	HEXAGON FLANGE BOLT M10X1.25X16	8	4BB-23816-10
30	10056	BEARING 110	1	BCC0100092
31	35493	O-RING 151X3	1	1BE-23867-00
32	21106	ADJUSTING SHIM	as needed	4AL-23852-00
33	27589	REAR AXLE BOX COVER	1	4BB-23817-10
34	10059	BOLT M8X25	8	B11A30825R
35	73036	WEARING RING	2	1CA-23854-00
36	73035	PLANETARY GEAR	2	1CA-23853-00
37	73032	GEAR SHAFT	1	1CA-23849-00
38	11024	PIN 4X30	1	B322104300
39	73034	SIDE GEAR THRUST-WASHER	2	1CA-23851-00
40	73031	DIFF SIDE GEAR	2	1CA-23848-00
41	73040	SHIFT RETURN SPRING	2	1CA-23860-00
42	73038	SHIFT LEVER SPRING	1	1CA-23858-00
43	27592	SHIFT LEVER	1	4BB-23814-10
44	27591	SHIFT BAR	1	4BB-23812-10
45	73041	SHIFT YOKE	1	1CA-23861-00
46	27590	SHIFT PIN	1	4BB-23813-10
47	48113	REAR AXLE	1	4CZ-23800-00
48	35919	BREATHING AIR	1	4BM-23812-00
49	48434	GASKET, BEVEL GEAR -DRIVEN	as needed	4CZ-17409-00
50	35918	LINK, BREATHING AIR	1	4BM-23811-00

27 ENGINE INSTALLATION



REF. No.	PART No.	DESCRIPTION	Q' TY	PLM
1	47241	FRONT ENGINE MOUNT BRACKET	1	4DM-21215-00
2	27885	RUBBER BUSHING	2	4AV-21212-00
3	27886	SPACER 1	1	4AV-21213-00
4	27887	SPACER 2	1	4AV-21214-00
5	10929	BOLT M12X1.25X170(9.8)	1	B11C312N0A
6	10136	NUT M12X1.25	1	B52C31200A
7	11085	BOLT M8X45	2	B11C30845R
8	11145	NUT M8	2	B51F30800A
9	11251	BOLT M12X1.25X150	2	B12C212X0A
10	35503	BUSHING ENGINE BRACKET	4	4AV-21231-01
11	11287	NUT M10X1.25	4	B52F31000A
12	11495	BOLT M6X16	4	B11A30616R
13	47242	ENGINE (LH188MR-2A)	1	1BZ-00000-00
14	11480	NUT M12X1.25	2	B52F31200A

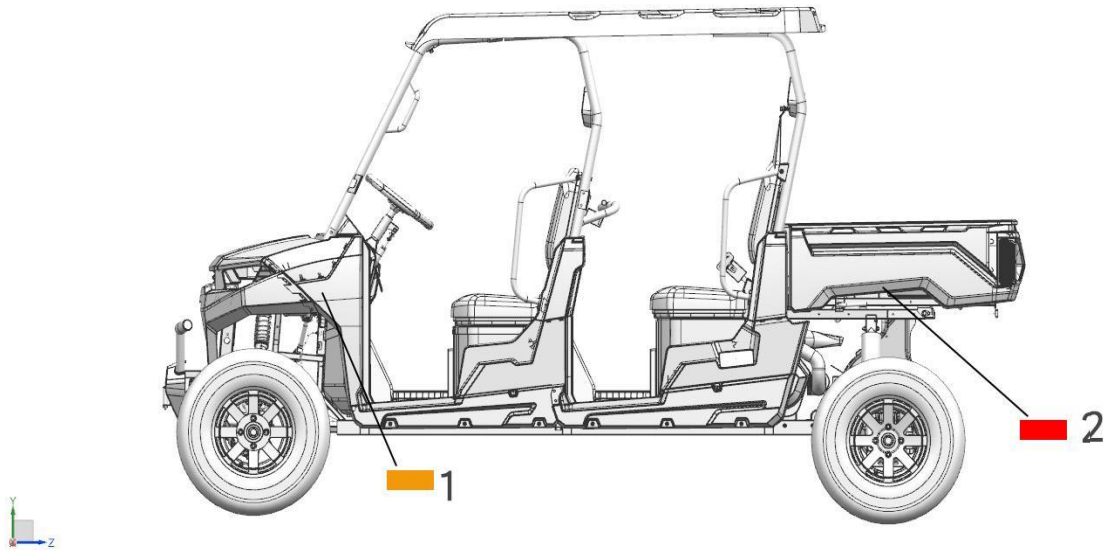


REF. No.	PART No.	DESCRIPTION	Q' TY	PLM
1	47729	BOX FLOOR COVER	1	4FJ-24801-00
2	47730	CARGO HANDLE ASSY	1	4FJ-24802-00
3	11101	BOLT M8X45	4	B11A30845R
4	10882	NUT M8	4	B51F30800R
5	48134	RUBBER SHEATH	8	4CZ-24803-00
6	48135	PEDAL SPRING, L	1	4CZ-24804-00
7	48136	PEDAL SPRING, R	1	4CZ-24805-00
8	48139	LOCK SEAT, REAR TRUNK	2	4CZ-24808-00
9	11459	BOLT M6X20	4	B11A30620R
10	11319	NUT M6	4	B57F30600R
11	47731	REAR SIDE PROTECTING PLATE, LH	1	4FJ-24811-00
12	47732	REAR SIDE PROTECTING PLATE, RH	1	4FJ-24812-00
13	10783	BOLT M8X20	6	B11A30820R
14	48316	TAPPING SCREW M5X16	2	97707-05016
15	55053	CAP, PROTECTOR END	2	4CR-24889-00
16	47554	PIN SHAFT, ROTATION	2	4FD-24810-00
17	10140B	BOLT M6X12	2	B11A30612R
18	26784	DAMPER	1	4CC-24811-00
19	11330	WASHER 10	3	B637310000
20	27215	PIN 2. 5X25	2	B37722F250
21	73161	PIN AXLE	1	4CF-24811-00
22	48151	DAMPER, CARGO BOX ADJUSTING	2	4CZ-24829-00
23	11483	NUT M8	2	B55F30800R
24	48147	BOLT M6	2	4CZ-24818-00
25	11019	WASHER SPRING 6	8	B653306000
26	73056	BOLT M6X20	4	4CA-24834-00

27	11792	WASHER 6	6	B637306000
28	11233	NUT M6	4	B51F30600R
29	48153	HOOK	4	4CZ-24862-00
30	11245	WASHER 6	2	B631306000

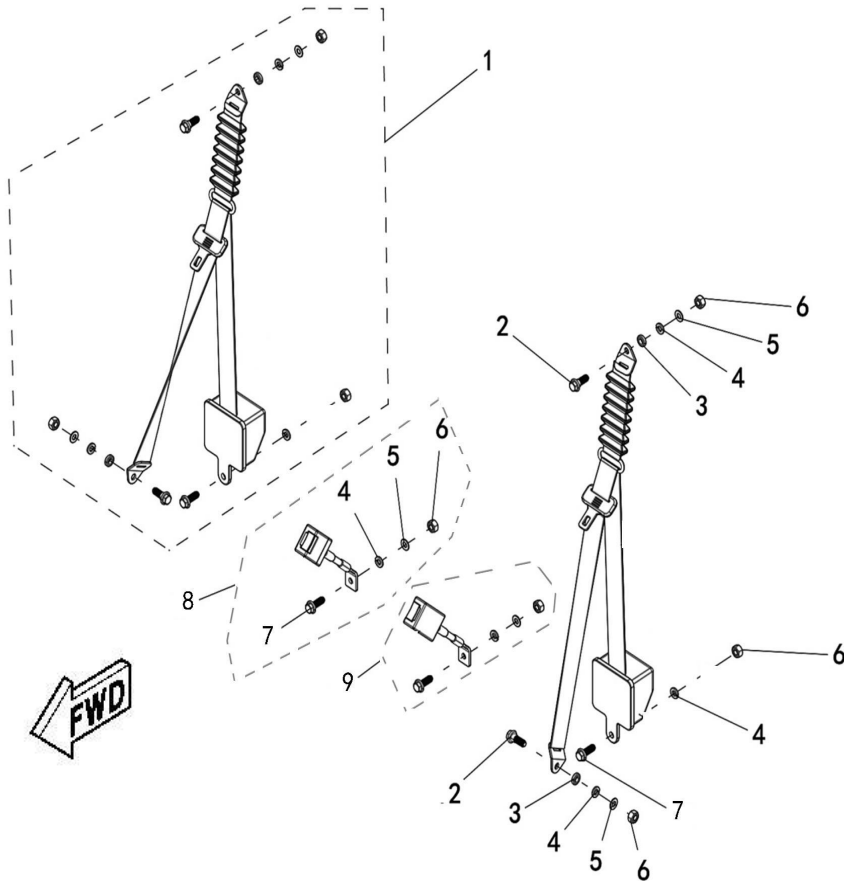
## 29 REFLECTION

---



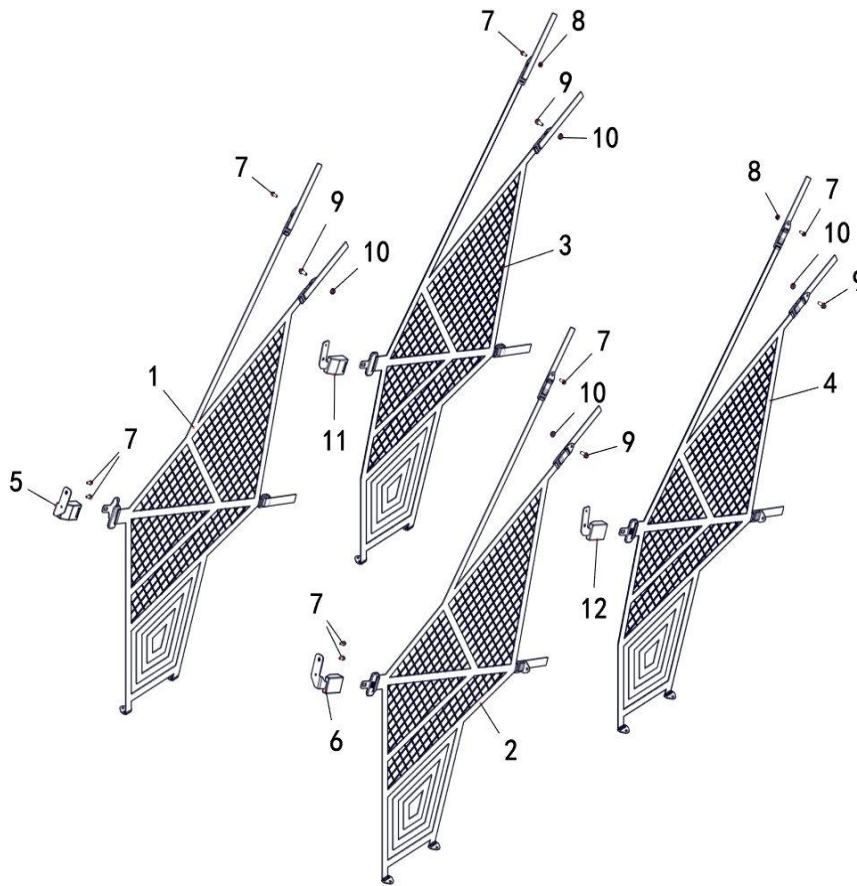
REF. No.	PART No.	DESCRIPTION	Q'TY	PIN	I/C	PLM
1	71959	FRONT REFLECTOR YELLOW (FOR US)	2			4CC-85101-00
2	71960	REAR REFLECTOR RED PAINT (FOR US)	2			4CC-85102-00

30 SEAT BELT



REF. No.	PART No.	DESCRIPTION	Q' TY	PLM
1	48380	SEAT BELT ASSY	4	4CZ-24742-00-01
2	48381	BOLT 1	8	4CZ-24724-00
3	48382	WASHER 1	8	4CZ-24725-00
4	10805	SPRING WASHER 12	16	B683312000
5	48384	WASHER 2	12	4CZ-24727-00
6	48385	NUT	16	4CZ-24728-00
7	48386	BOLT 2	8	4CZ-24734-00
8	48387	BELT RECEIVER ASSY, R	2	4CZ-24731-00-01
9	48388	BELT RECEIVER ASSY, L	2	4CZ-24741-00-01

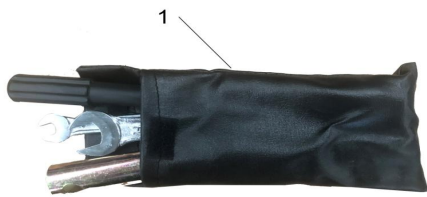
31 BODY, SIDE NETS



REF. No.	PART No.	DESCRIPTION	Q'TY	PLM
1	48275	NET, SIDE, FR	1	4CZ-28410-00
2	48276	NET, SIDE, FL	1	4CZ-28420-00
3	47243	NET, SIDE, RR	1	4DM-28420-00
4	47244	NET, SIDE, RL	1	4DM-28410-00
5	48273	ASM. , CLIP, NET, FR	1	4CZ-28404-00
6	48274	ASM. , CLIP, NET, FL	1	4CZ-28405-00
7	11495	BOLT M6X16	12	B11A30616R
8	11233	NUT M6	2	B51F30600R
9	10783	BOLT M8X20	4	B11A30820R
10	10882	NUT M8	4	B51F30800R
11	47245	ASM. , CLIP, NET, RR	1	4DM-28404-00
12	47246	ASM. , CLIP, NET, RL	1	4DM-28405-00

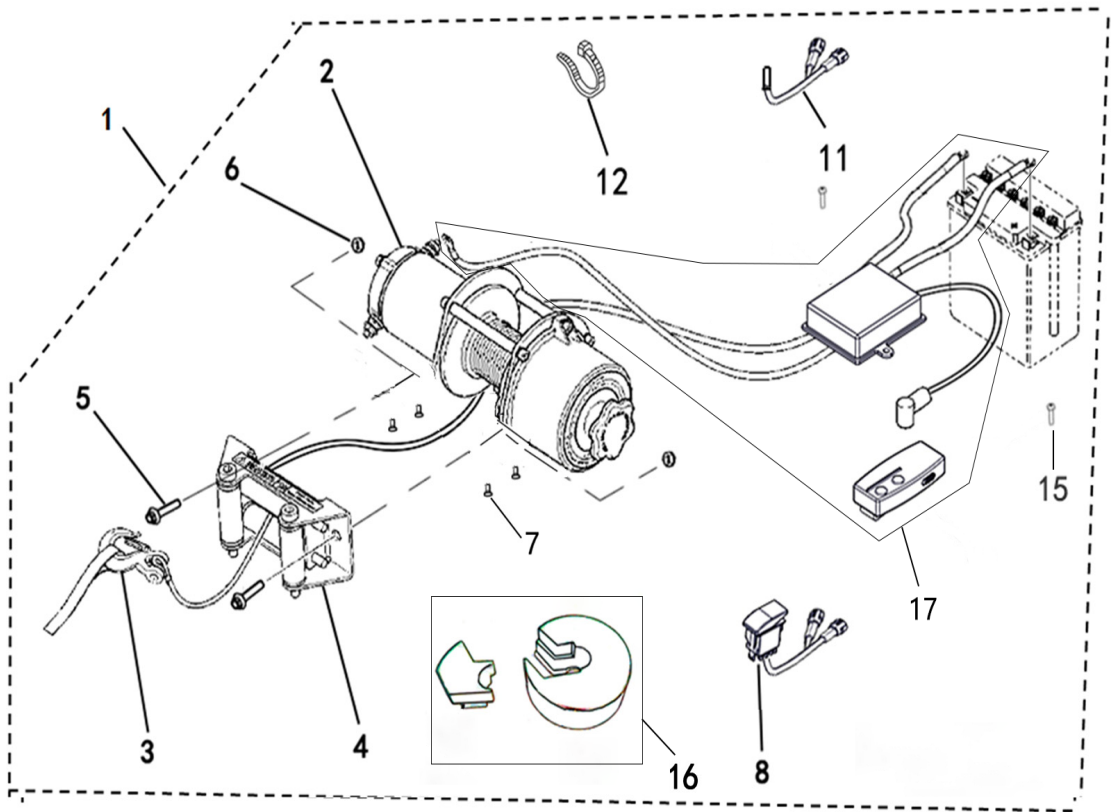
## 32 TOOLS

---



REF. No.	PART No.	DESCRIPTION	Q'TY	PIN	I/C	PLM
1	80393	TOOLS	1			4CZ-0GB01-00

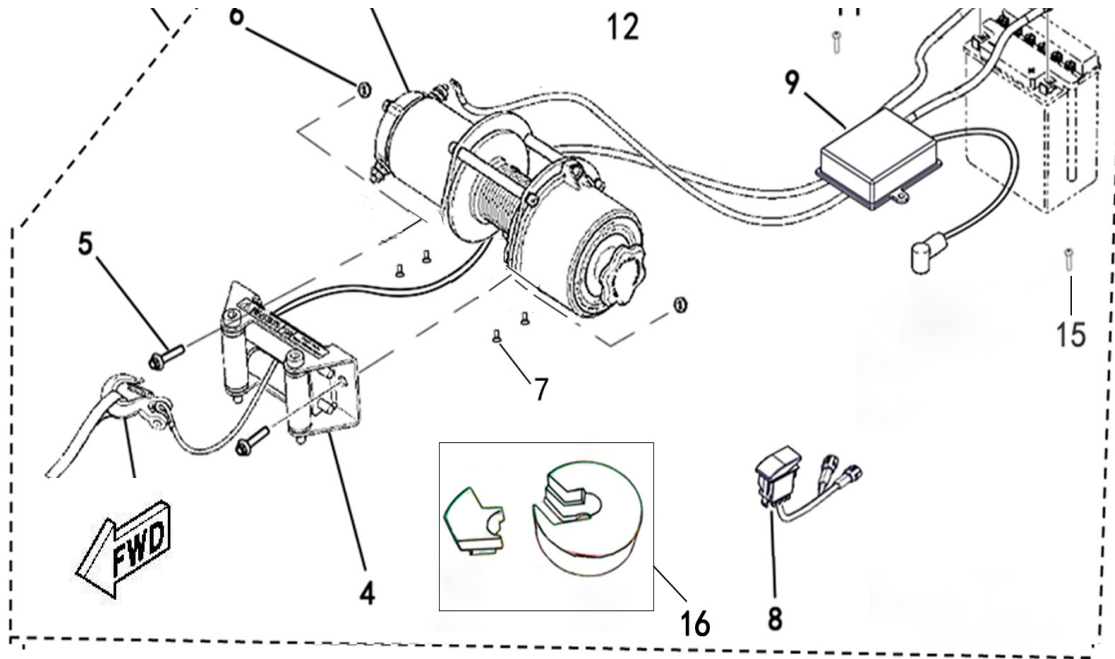
33 OPTIONS (WINCH )



REF. No.	PART No.	DESCRIPTION	Q' TY	PLM
1	47752	WINCH ASSY	1	4FJ-77543-00
2	47753	WINCH	1	4FJ-77512-00
3	73545	TOW HOOK	1	4CF-77534-00
4	73546	SLIDEWAY	1	4CF-77519-00
5	10783	HEXAGON FLANGE BOLT M8X20	2	B11A30820R
6	10882	PREVAILING TORQUE TYPE ALL-METAL HEXAGON NUT M8	2	B51F30800R
7	11651	BOLT M6X16	4	B2AA30616R
8	73547	SWITCH	1	4CF-77531-00
9	48368	CONTROLLER	1	4CZ-77532-00
10	73549	REMOTE CONTROL	1	4CF-77533-00
11	48369	TEMPERATURE SENSOR	1	4CZ-82700-00
12	11334	TIE 150X4	1	4CC-28110-00
13	48370	RING STOPPER-1	1	4CZ-77521-00
14	48371	RING STOPPER-2	1	4CZ-77522-00
15	11529	SCREW M5X16	2	B23A30516R
16	48671	RING STOPPER ASSY	1	4CZ-77520-00
17	48668	CONTROLLER AND REMOTE CONTROL	1	4CZ-77533-00

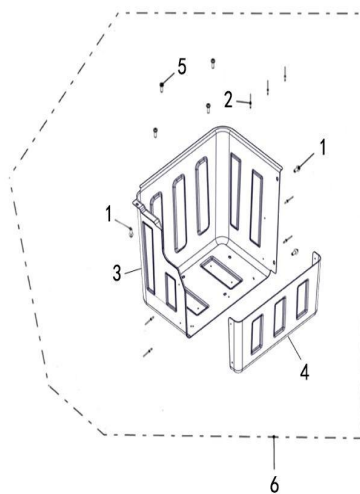
33 OPTIONS (WINCH ) (NO REMOTE CONTROL)





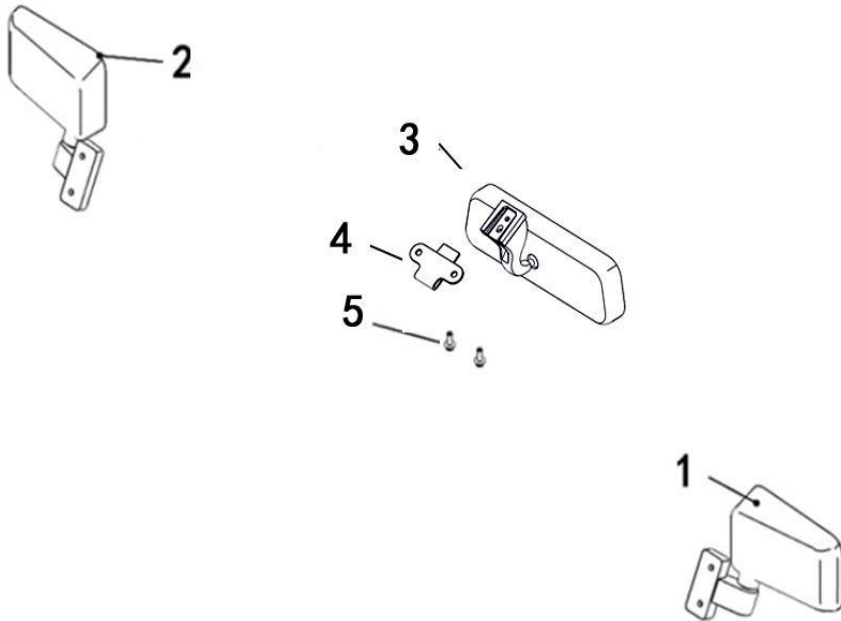
REF. No.	PART No.	DESCRIPTION	Q'TY	PLM
1	47752	WINCH ASSY	1	4FJ-77543-00
2	47753	WINCH	1	4FJ-77512-00
3	73545	TOW HOOK	1	4CF-77534-00
4	73546	SLIDEWAY	1	4CF-77519-00
5	10783	HEXAGON FLANGE BOLT M8X20	2	B11A30820R
6	10882	PREVAILING TORQUE TYPE ALL-METAL HEXAGON NUT M8	2	B51F30800R
7	11651	BOLT M6X16	4	B2AA30616R
8	73547	SWITCH	1	4CF-77531-00
9	48368	CONTROLLER	1	4CZ-77532-00
11	48369	TEMPERATURE SENSOR	1	4CZ-82700-00
12	11334	TIE 150X4	1	4CC-28110-00
15	11529	SCREW M5X16	2	B23A30516R
16	48671	RING STOPPER ASSY	1	4CZ-77520-00

### 33 OPTIONS (TOOL BOX)



REF. No.	PART No.	DESCRIPTION	Q' TY	PLM
1	10239	BOLT M6X16	3	B13A40616R
2	11809	CORE PULLING RIVETS 3. 2X11	7	B46933C110
3	48689	TOOL BOX, FLOOR	1	4CZ-28358-10
4	48690	TOOL BOX, THE SIDE PANEL	1	4CZ-28368-10
5	48270	SCREW M6X20	4	4CZ-28382-00
6	48691	TOOL BOX, ASSEMBLY	1	4CZ-28375-10

### 33 OPTIONS (MIRROR)



REF. No.	PART No.	DESCRIPTION	Q' TY	PLM
1	48416	REAR VIEW MIRROR, L	1	4CZ-26203-00
2	48417	REAR VIEW MIRROR, R	1	4CZ-26204-00
3	48545	CENTER MIRROR KIT	1	4CZ-77550-00
4	48546	BRACKET, CENTER MIRROR KIT	1	4CZ-22503-00
5	11495	BOLT M6X16	2	B11A30616R

### 33 OPTIONS (WINDSHIELD)



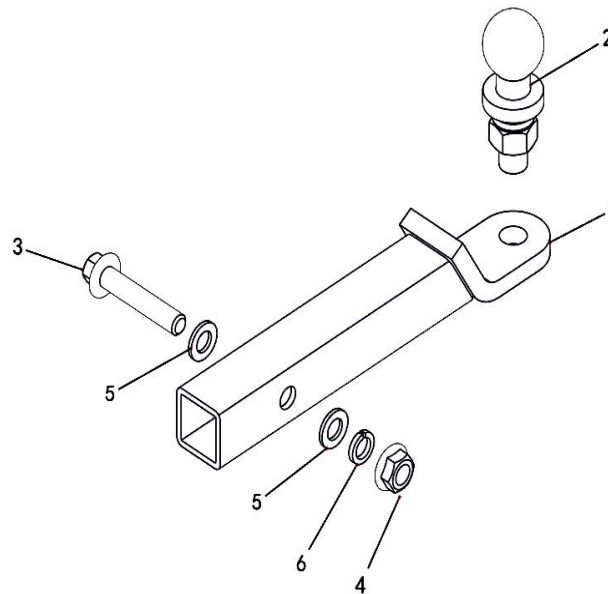
1



2

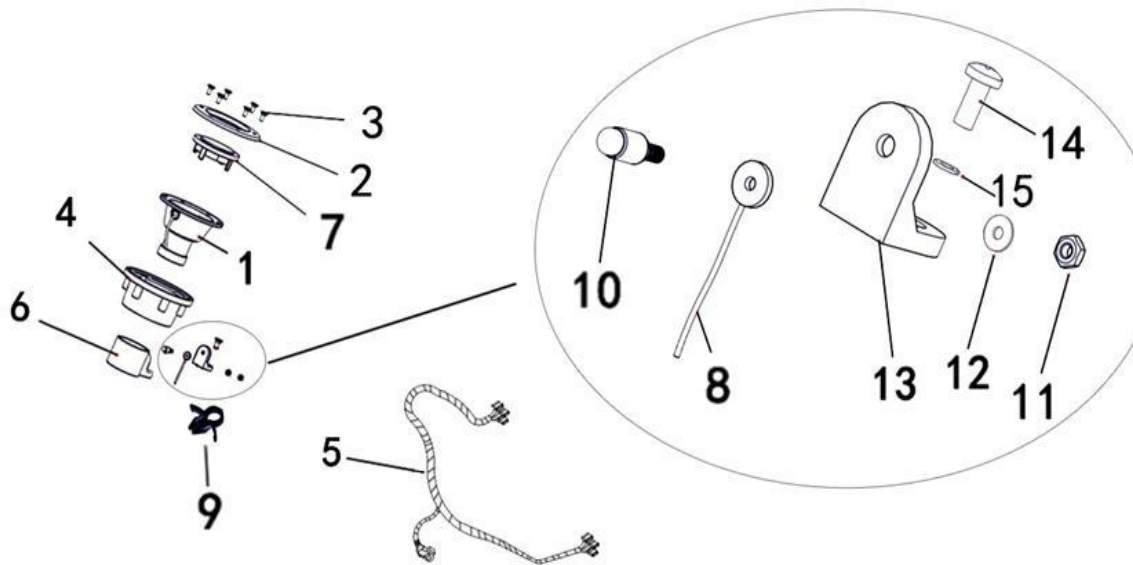
REF. No.	PART No.	DESCRIPTION	Q' TY	PLM
1	47755	WINDSHIELD ASSEMBLY	1	4FJ-77505-00
2	47502	WINDSHIELD MOUNTING ACCESSORIES	1	4CZ-77506-00

### 33 OPTIONS (TRACTOR)



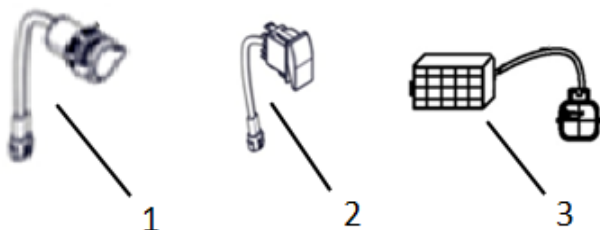
REF. No.	PART No.	DESCRIPTION	Q' TY	PLM
1	48556	BRACKET, TRACTOR	1	4CZ-28510-00
2	48557	BALL, TRACTOR	1	4CZ-28530-00
3	10964	BOLT M16X95	1	B15D31695R
4	10874	NUT M16	1	B55F31600R
5	11247	WASHER16	2	B637316000
6	27050	WASHER SPRING 16	1	B653316000

33 OPTIONS (HORN STEERING WHEEL)



REF. No.	PART No.	DESCRIPTION	Q'TY	PLM
1	47791	STEERING WHEEL HOLDER	1	4FJ-23318-00
2	47792	STEERING COVER	1	4FJ-23319-00
3	47793	SCREW M5X20	6	4FJ-23320-00
4	47794	COVER, STEERING WHEEL HOLDER	1	4FJ-23321-00
5	47795	HORN SWITCH TRANSITION LINE	1	4DF-83390-00
6	47796	COVER, STEERING COLUMN ASSY.	1	4FJ-23322-00
7	47797	HORN SWITCH	1	4FJ-82527-00
8	47798	WIRE, HORN SWITCH	1	4FJ-82528-00
9	47799	TIE	2	4FJ-82130-00
10	47800	HORN CONTACTS	1	4FJ-82529-00
11	11847	NUT M3	1	B55K20300R
12	11297	WASHER 4	1	B637204000
13	47801	HORN CONTACTS HOLDER	1	4FJ-82530-00
14	11471	SCREW M5X12	1	B23B20512R
15	12077	WASHER 5	1	B637205000

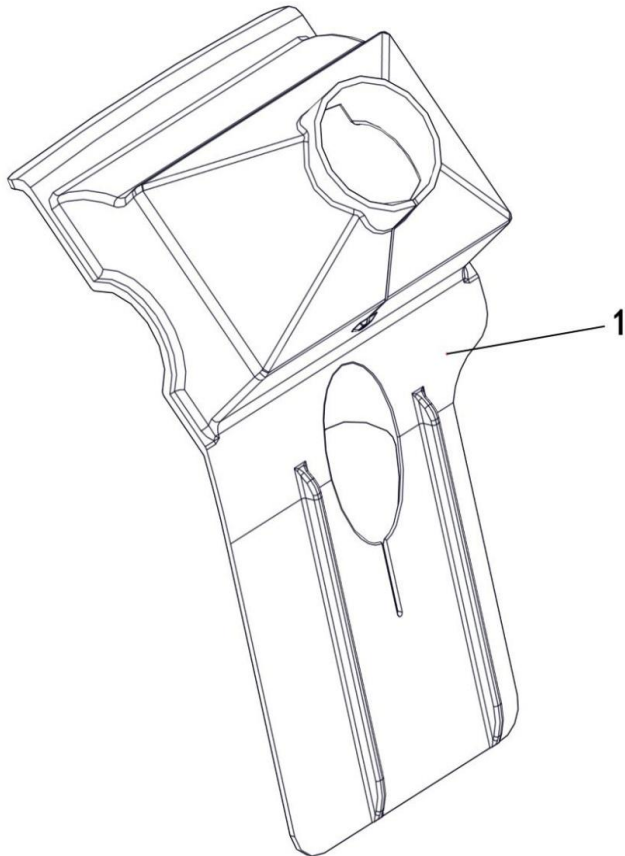
33 OPTIONS (EMERGENCY SWITCH AND ACCESSORY SOCKET)



REF. No.	PART No.	DESCRIPTION	Q'TY	PLM
1	70400	ACCESSORY SOCKET ASSY	1	4AB-82101-00
2	73075C	EMERGENCY SWITCH	1	4CH-82150-00
3	48402	WIRE, EMERGENCY SWITCH	1	4CZ-82153-00

**33 OPTIONS (SHIELD RUBBER)**

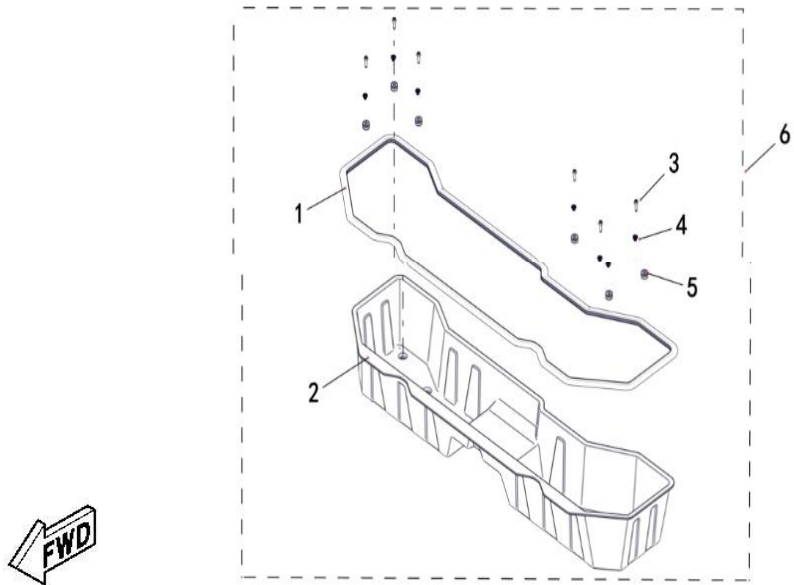
---



REF. No.	PART No.	DESCRIPTION	Q'TY	PLM
1	47788	SHIELD RUBBER UNDER STEERING WHEEL	1	4FJ-23302-00

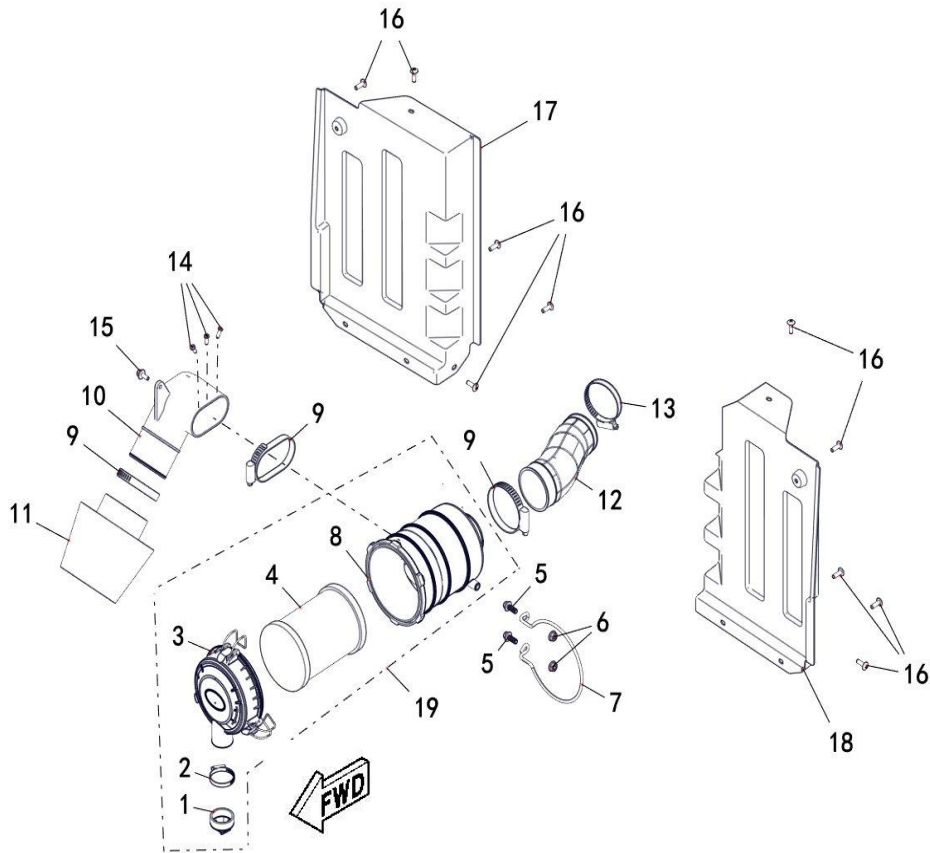
---

33 OPTIONS (TOOL BOX)



REF. No.	PART No.	DESCRIPTION	Q'TY	PLM
1	47247	PACKAGE EDGE FILLET	1	4DM-28377-00
2	47278	TOOL BOX	1	4DM-28376-00
3	11307	BOLT M6X25	1	B13A40625R
4	48256	T-SHAPED LINER BUSHING	6	4CZ-28364-00
5	48257	I-SHAPED RUBBER DAMPER	6	4CZ-28365-00
6	47279	TOOL BOX, ASSEMBLY	6	4DM-28375-00

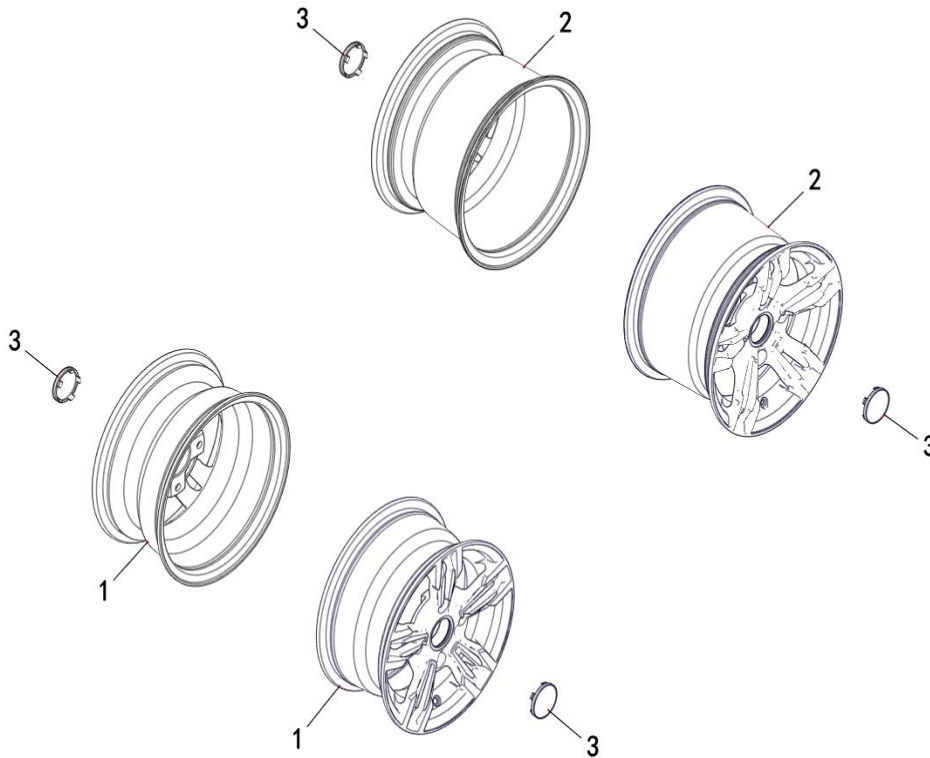
33 OPTIONS (AIR CLEANER)



REF. No.	PART No.	DESCRIPTION	Q'TY	PLM
1	73835	OIL CAP	1	4FE-14446-00
2	47545	CLIP 27/51	1	4FE-14440-00
3	73823	COVER, AIR CLEANER	1	4FE-14404-00
4	73824	ELEMENT COMP AIR CLEANER	1	4FE-14405-00

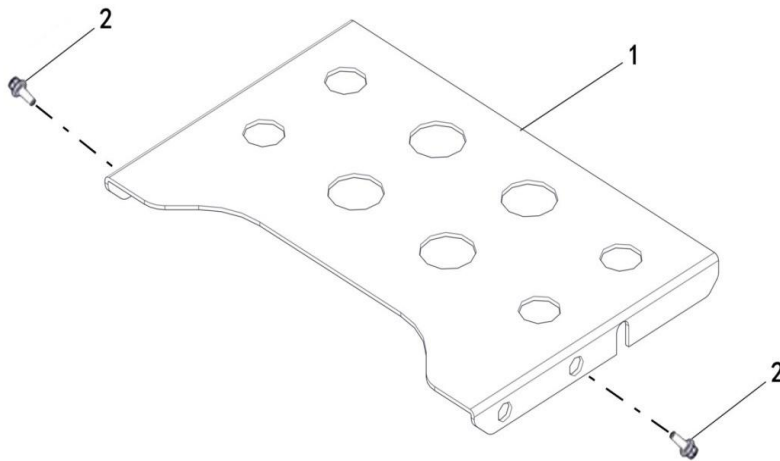
5	10783	BOLT M8X20	2	B11A30820R
6	10882	NUT M8	2	B51F30800R
7	73842	AIR CLEANER MOUNTING CLAMP	1	4FE-21203-00
8	73826	CASE, AIR CLEANER	1	4FE-14407-00
9	35670	CLIP 70-90	3	1DA-15448-00
10	48709	PRIMARY AIR CLEANER HOSE	1	4GL-14421-00
11	47550	PRIMARY AIR CLEANER	1	4CM-14423-00
12	48646	AIR CLEANER CONNECTING PIPE	1	4GL-14401-00
13	35747	CLIP 52/76	1	4AL-14409-00
14	48316	TAPPING SCREW M5X16	3	97707-05016
15	11495	BOLT M6X16	1	B11A30616R
16	48270	SCREW M6X20	10	4CZ-28382-00
17	48263	PLATE, FUEL TANK	1	4CZ-28371-00
18	48586	PLATE, FUEL TANK (LEFT)	1	4GL-28371-00
19	47544	AIR CLEANER ASSY	2	4FE-14400-00

### 33 OPTIONS (WHEEL SUB-ASSY)



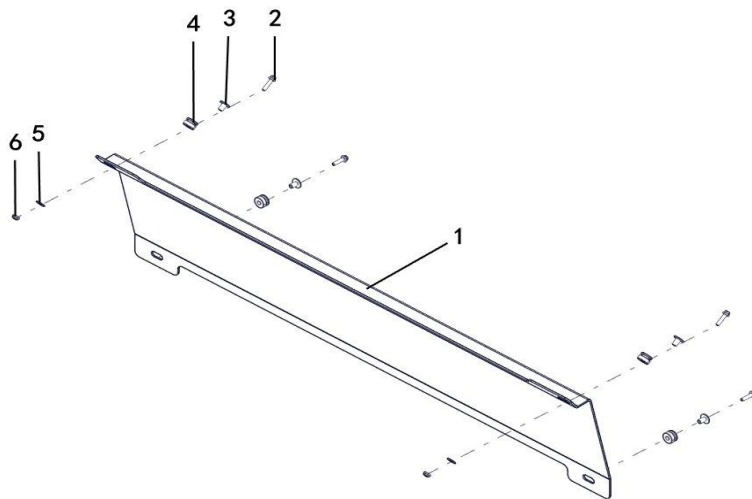
REF. No.	PART No.	DESCRIPTION	Q'TY	PLM
1	47050	WHEEL SUB-ASSY	2	4CZ-25181-00
2	47052	WHEEL SUB-ASSY	2	4CZ-25381-00
3	36162	CAP, WHEEL SUB-ASSY	4	4BB-2512A-00

### 33 OPTIONS (BATTERY PLATE)



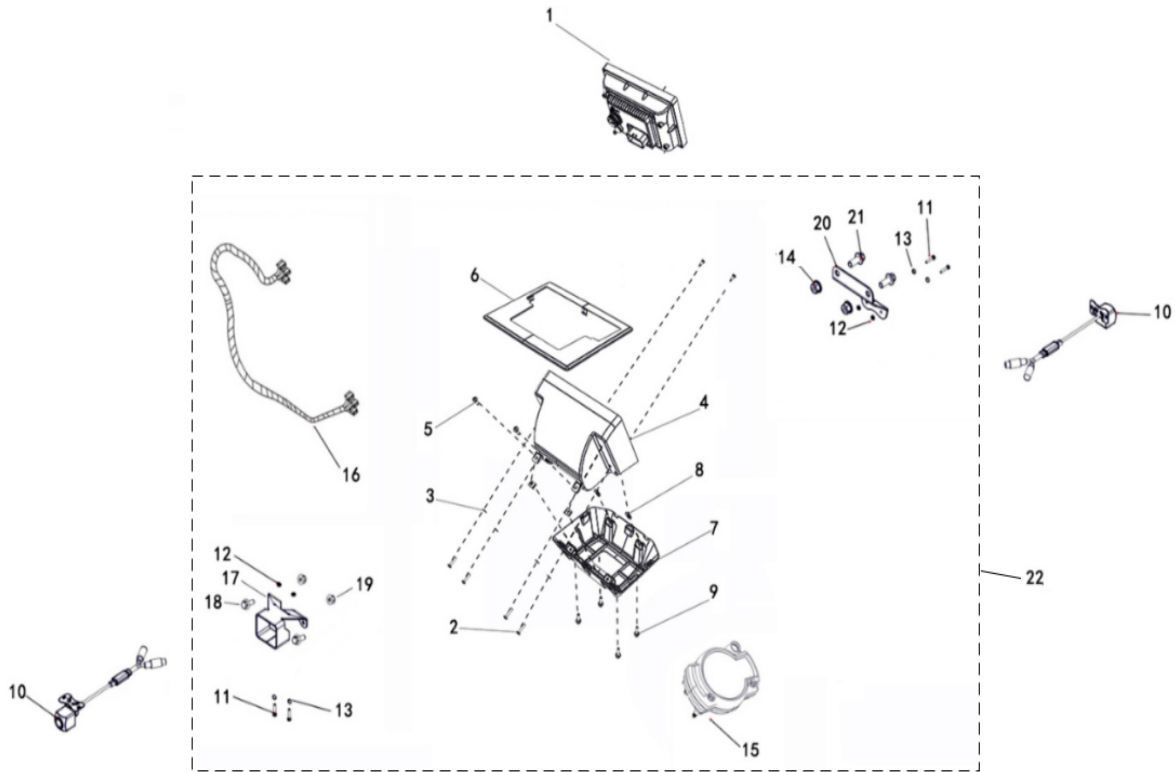
REF. No.	PART No.	DESCRIPTION	Q'TY	PLM
1	47787	THE BATTERY PLATE	1	4FJ-21205-00
2	10087	BOLT M6X10	2	B11A30610R

### 33 OPTIONS (GUARD PLATE)



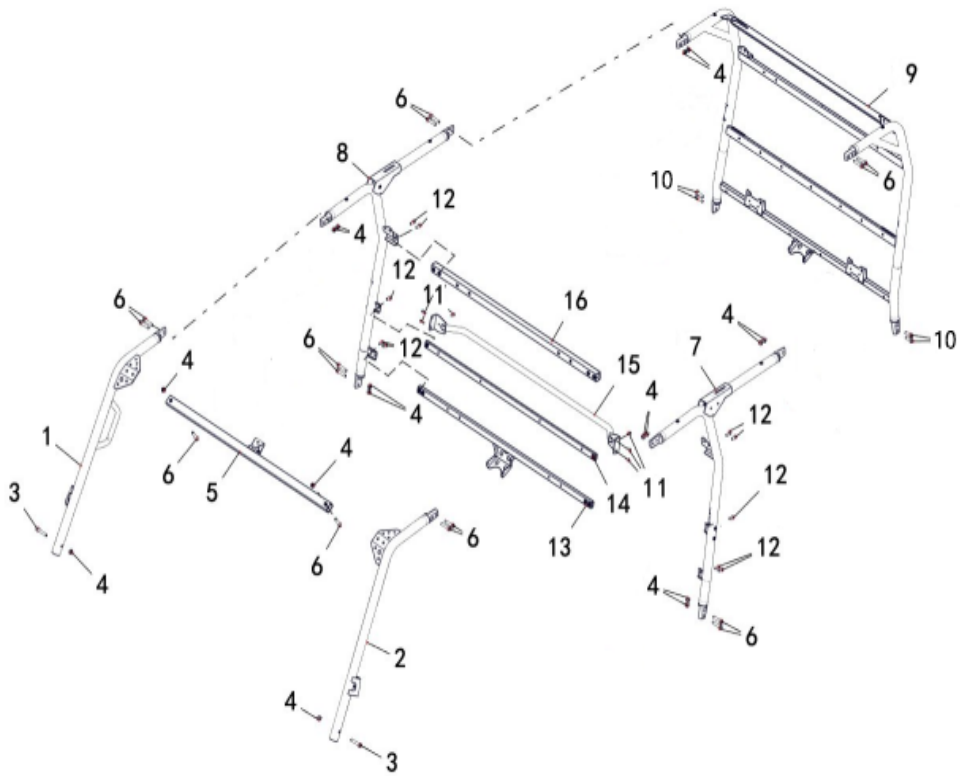
REF. No.	PART No.	DESCRIPTION	Q'TY	PLM
1	47326	GUARD PLATE		4DM-77511-00
2	11496	BOLT M6X30		B11A30630R
3	48256	T-SHAPED LINER BUSHING		4CZ-28364-00
4	48257	I-SHAPED RUBBER DAMPER		4CZ-28365-00
5	11391	WASHER 6		B617306000
6	11233	NUT M6		B51F30600R

33 OPTIONS (CONTROL SCREEN)



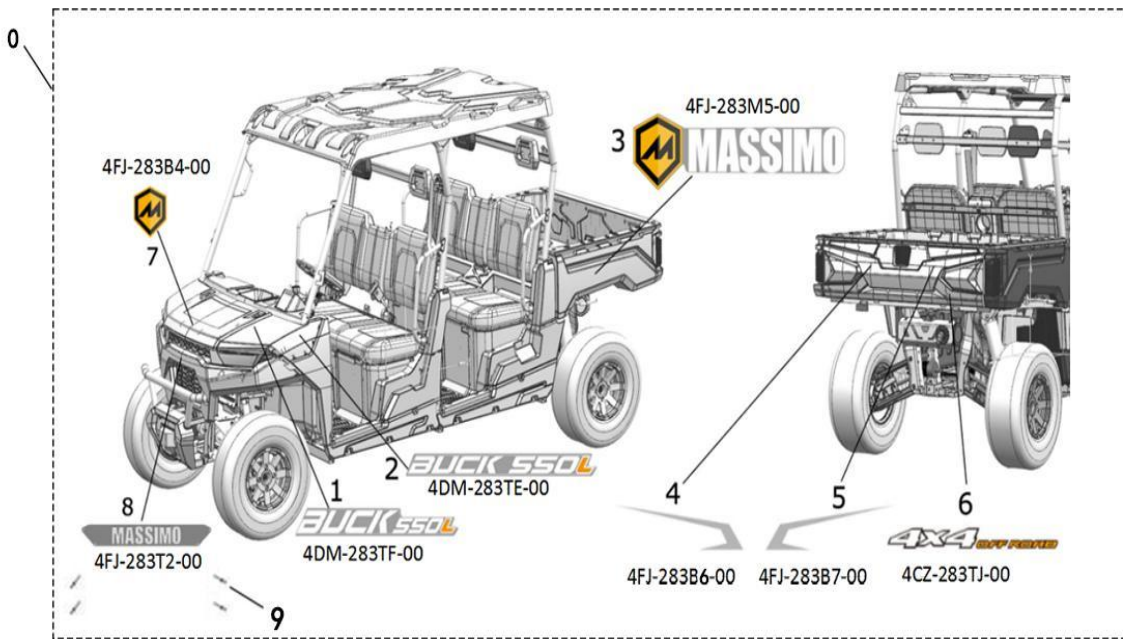
REF. No.	PART No.	DESCRIPTION	Q'TY	PLM
1	48681	CONTROL SCREEN	1	4CZ-83580-00
2	11804	SCREW M4X10	4	B22A30410R
3	11805	WASHER 4	4	B637304000
4	47841	UPPER PANEL, CONTROL SCREEN	1	4FJ-28335-00
5	47789	HEXAGON SELF-TAPPING SCREW M5X16	4	4FJ-24830-00
6	47842	BOTTOM PANEL, CONTROL SCREEN	1	4FJ-28336-00
7	47843	FOUNDATION, CONTROL SCREEN	1	4FJ-28337-00
8	48314	ELASTIC NUT M5	4	90183-05818
9	11495	BOLT M6X16	4	B11A30616R
10	48682	CAMERA	2	4CZ-83570-00
11	11806	SCREW M3X10	4	B22A30310R
12	11807	NUT M3	4	B55F30300R
13	11808	WASHER 3	4	B637303000
14	10882	NUT M8	2	B51F30800R
15	47331	LCD METER	1	4DM-83500-90
16	47332	WIRE, CONTROL SCREEN	1	4DM-83590-00
17	47846	BRACKET, CAMERA, FR	1	4FJ-24836-00
18	11655	BOLT M5X12	2	B11A30512R
19	11791	NUT M5	2	B53F40500R
20	48687	BRACKET, CAMERA, REAR	1	4CZ-24837-00
21	10783	BOLT MX20	2	B11A30820R
22	47333	CONTROL SCREEN ASSEMBLY	1	4DM-83530-00

33 OPTIONS (ROPS) (MASSIMO)



REF. No.	PART No.	DESCRIPTION	Q' TY	PLM
1	47679	MEMBER, ROOF FRAME, FRONT RH	1	4FJ-22816-00
2	47680	MEMBER, ROOF FRAME, FRONT LH	1	4FJ-22817-00
3	11846	BOLT M10X1.25X57	2	B13D31057A
4	11287	NUT M10X1.25	16	B52F31000A
5	47681	MEMBER, ROOF FRAME , FRONT	1	4FJ-22818-00
6	11851	BOLT M10X1.25X50	14	B13D31050A
7	47334	MEMBER, ROOF FRAME, MIDDLE LH (MASSIMO)	1	4DM-22815-10
8	47335	MEMBER, ROOF FRAME, MIDDLE RH (MASSIMO)	1	4DM-22816-10
9	47336	MEMBER, ROOF FRAME, REAR (MASSIMO)	1	4DM-22820-10
10	11240	BOLT M10X1.25X35	4	B13A31035A
11	11495	BOLT M6X16	6	B11A30616R
12	10783	BOLT M8X20	10	B11A30820R
13	47222	BRACKET, BACKREST, LOWER	1	4DM-22817-00
14	47223	BRACKET, BACKREST, UPPER	1	4DM-22818-00
15	47224	MEMBER, ARMREST, REAR	1	4DM-22821-00
16	47225	BRACKET, HEADREST	1	4DM-22819-00

34 DECALS



REF. No.	PART No.	DESCRIPTION	Q' TY	PLM
0	80956	DECALS ASSY (MASSIMO)	1	4DM-09GT4-00
1*	80957	DECALS 1, FRONT PANEL, UPPER (BUCK 550L)	1	4DM-283TF-00
2*	80958	DECALS 2, FRONT PANEL SIDE (BUCK 550L)	2	4DM-283TE-00
3*	47809	DECALS 3, SIDE PANEL, CARGO BOX (MASSIMO)	2	4FJ-283M5-00
4*	47811	DECALS 4, REAR COVER PANEL, CARGO BOX, LH	1	4FJ-283B6-00
5*	47812	DECALS 5, REAR COVER PANEL, CARGO BOX, RH	1	4FJ-283B7-00
6*	47813	DECALS 6, REAR COVER PANEL, CARGO BOX	1	4CZ-283TJ-00
7*	47808	DECALS 7, HEXAGONAL DECALS (MASSIMO)	1	4FJ-283B4-00
8	47814	DECALS 8, FRONT GRILL (MASSIMO)	1	4FJ-283T2-00
9	11712	CORE PULLING RIVETS 4X12	4	B469304120

**35 OWNER'S MANUAL (T-ARCHON 550L)**

**WARNING:**  
 Read this Manual, and any Supplements Carefully Before Operating Vehicle.

- Assembly
- Operation
- Maintenance

THIS VEHICLE IS NOT DESIGNED FOR USE ON RENTAL TRACKS OR RACING

**OWNER'S/OPERATOR'S MANUAL**

US 23.0



**T-ARCHON 550L**

(Independent Rear Suspension)

BEFORE OPERATING THIS VEHICLE, THE OWNER AND EACH OPERATOR MUST HAVE READ AND HAVE AN UNDERSTANDING OF ALL THE INSTRUCTIONS FOR PROPER ASSEMBLY AND SAFE OPERATION, AS WELL AS THE INSTRUCTIONS CONCERNING THE ENGINE AND ALL OTHER PORTIONS OF THE VEHICLE.

REF. No.	PART No.	DESCRIPTION	Q' TY	PLM
1		OWNER'S MANUAL (T-ARCHON 550L)	1	4DM-0GB05-00

**35 OWNER'S MANUAL (BUCK 550L)**

**WARNING:**  
 Read this Manual, and any Supplements Carefully Before Operating Vehicle.

- Assembly
- Operation
- Maintenance

THIS VEHICLE IS NOT DESIGNED FOR USE ON RENTAL TRACKS OR RACING



**MASSIMO MOTOR SPORTS,LLC**

**OWNER'S/OPERATOR'S MANUAL**

US 24.0



**BUCK 550L**

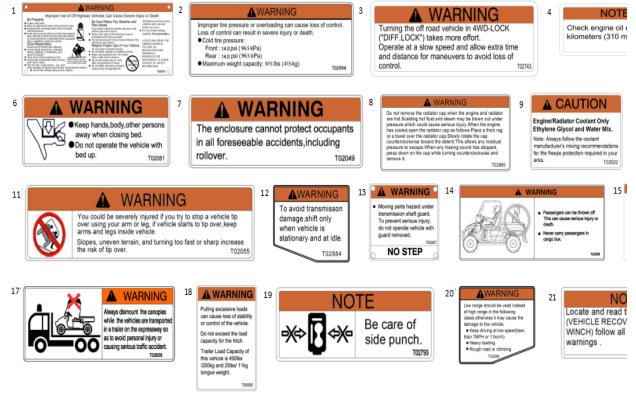
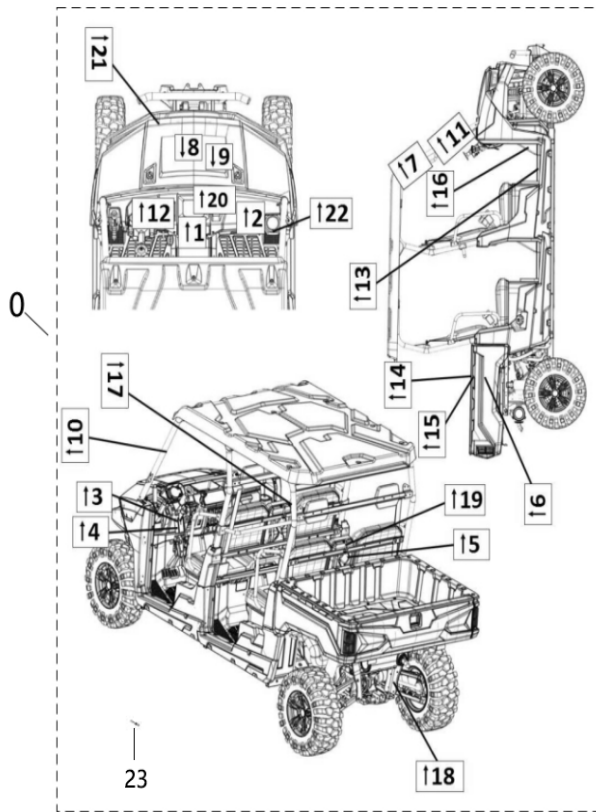
(Independent Rear Suspension)

BEFORE OPERATING THIS VEHICLE, THE OWNER AND EACH OPERATOR MUST HAVE READ AND HAVE AN UNDERSTANDING OF ALL THE INSTRUCTIONS FOR PROPER ASSEMBLY AND SAFE OPERATION, AS WELL AS THE INSTRUCTIONS CONCERNING THE ENGINE AND ALL OTHER PORTIONS OF THE VEHICLE.



REF. No.	PART No.	DESCRIPTION	Q'TY	PLM
1	80945	OWNER'S MANUAL (BUCK 550L)	1	4DM-0GB06-00

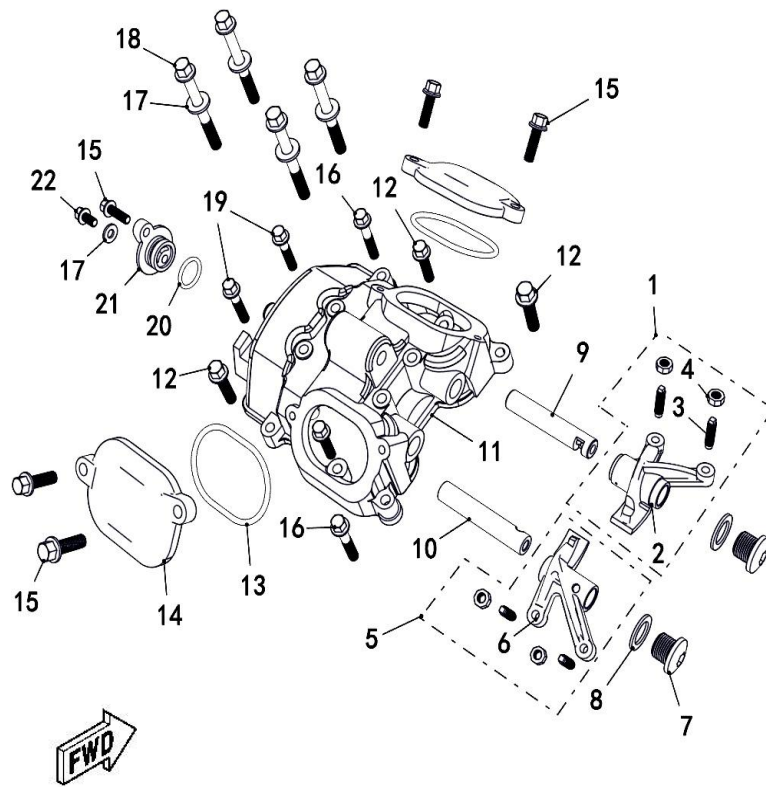
# 32 WARNING DECALS



REF. No.	PART No.	DESCRIPTION	Q'TY	PLM
0	80936	WARNING DECAL ASSY	1	4DM-0C9JG-00
1	80937	WARNING DECAL 1016	1	4DM-283T6-00
2	80938	WARNING DECAL 994	1	4DM-283T5-02
3	80881	WARNING DECAL 743	1	4CZ-283TC-02
4	80874	WARNING DECAL 744	1	4CZ-283TD-02
5	80891	WARNING DECAL 745	2	4CZ-283TE-02
6	80892	WARNING DECAL 51	2	4CC-283T1-02
7	80893	WARNING DECAL 49	1	4CC-228T1-02
8	80939	WARNING DECAL 885	1	4FJ-283TD-02
9	80875	WARNING DECAL 22	1	4CC-218TG-02
10	80894	WARNING DECAL 54	1	4CC-284T3-02
11	80895	WARNING DECAL 55	1	4CC-247T1-02
12	80940	WARNING DECAL 884	1	4FJ-283TF-02
13	80897	WARNING DECAL 57	2	4CC-461TF-02
14	80898	WARNING DECAL 56	1	4CC-283T2-02
15	80941	WARNING DECAL 995	1	4DM-248T1-02
16	80942	WARNING DECAL 887	1	4FJ-283TG-02
17	80901	WARNING DECAL 628	1	4CK-284T7-02
18	48515	WARNING DECAL 52	1	4CC-285TF-02
19	80902	WARNING DECAL 793	2	4CZ-283TZ-02
20	80943	WARNING DECAL 886	1	4FJ-283TH-02
21	80877	WARNING DECAL 799	1	4CZ-775T1-02
22	80944	WARNING DECAL 893	1	4FJ-283TJ-02
23	11809	CORE PULLING RIVETS 3. 2X11	8	B46933C110

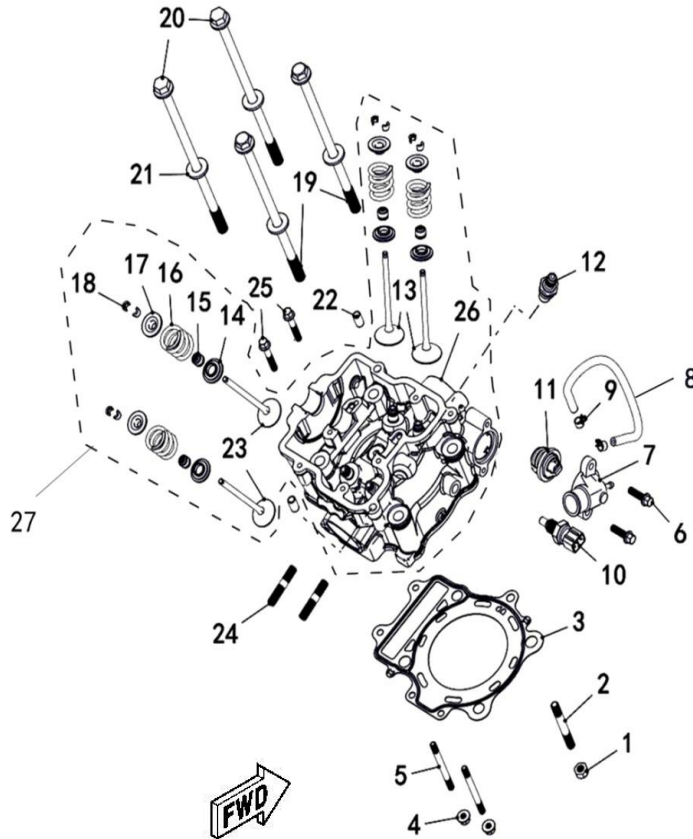


# 1 CYLINDER HEAD COVER



REF. No.	PART No.	DESCRIPTION	Q' TY	PLM
1	35143	INTAKE ROCKER ARM COMP	1	1BE-12150-00
2	35144	INTAKE ROCKER ARM VALVE	1	1BE-12151-00
3	35146	ADJUSTING NUT VALVE	4	1BE-12158-00
4	35147	ADJUSTING SCREW VALVE	4	1BE-12159-00
5	35148	EXHAUST ROCKER ARM COMP	1	1BE-12160-00
6	35149	EXHAUST ROCKER ARM VALVE	1	1BE-12161-00
7	35150	BOLT M14X1.25X12	2	1BE-12162-00
8	35215	WASHER 14	2	1BE-15107-00
9	35142	INTAKE ROCKER SHAFT	1	1BE-12146-00
10	35145	EXHAUST ROCKER SHAFT	1	1BE-12156-00
11	35110	CYLINDER HEAD COVER	1	1BE-11191-00
12	12059	BOLT M6X25	4	B11A60625R
13	35111	GASKET	2	1BE-11192-00
14	35107	VALVE ADJUST COVER	2	1BE-11186-00
15	12060	BOLT M6X20	5	B11A60620R
16	12061	BOLT M6X35	2	B11A60635R
17	35108	WASHER 6	5	1BE-11188-00
18	12062	BOLT M6X55	4	B11A60655R
19	12063	BOLT M6X30	2	B11A60630R
20	35113	O-RING 18X2.4	1	1BE-11196-00
21	35112	SEAL COVER	1	1BE-11195-00
22	12064	BOLT M6X12	1	B11A60612R

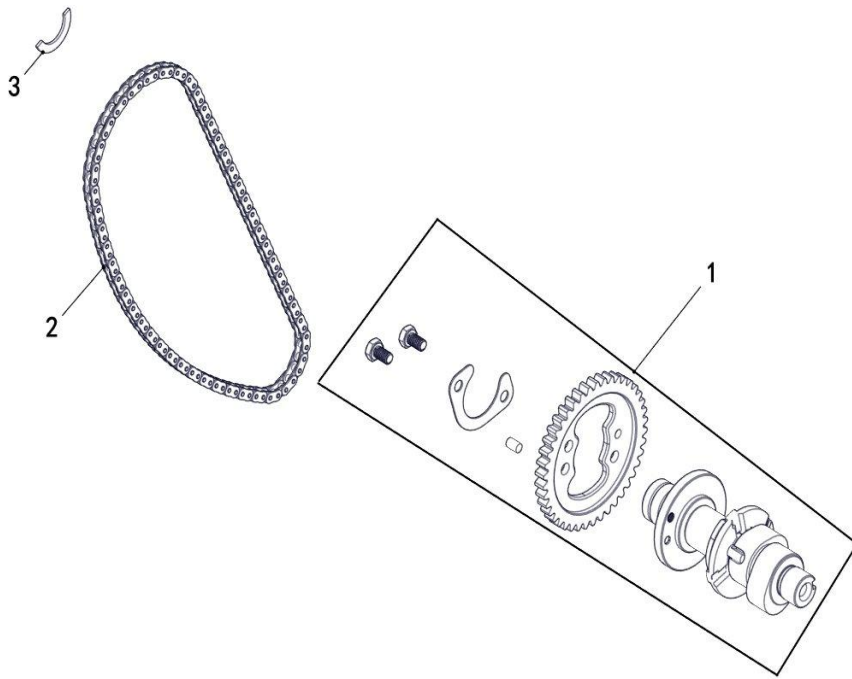
## 2 CYLINDER HEAD



REF. No.	PART No.	DESCRIPTION	Q' TY	PLM
1	11518	THRUST NUT M8	1	B57H60800R
2	35097	STUD M8X68	1	1BE-11104-00
3	35106	GASKET, CYLINDER HEAD	1	1BE-11181-00
4	10004	THRUST NUT M6	2	B51H60600R
5	35098	STUD M6X72	2	1BE-11105-00
6	12065	BOLT M6X22	2	B11A60622R
7	35103	WATER OUTLET JOINT, CYLINDER HEAD	1	1BE-11113-00
8	35104	PIPE, CYLINDER HEAD	1	1BE-11119-00
9	35109	CLIP 7.5	2	1BE-11189-00
10	35095e	WATER TEMPERATURE SENSOR	1	1BK-85790-00
11	35171	THERMOSTAT	1	1BE-12411-00
12	35105	SPARK PLUG DPR7EA-9 (NGK)	1	1BE-11130-00
13	35135	INTAKE VALVE	2	1BE-12111-00
14	35137	SEAT SPRING VALVE	4	1BE-12116-00
15	35140	SEAL VALVE STEM	4	1BE-12119-00
16	35136	SPRING VALVE	4	1BE-12114-00
17	35138	RETAINER SPRING VALVE	4	1BE-12117-00
18	35139	COTTER VALVE	8	1BE-12118-00
19	35100	CYLINDER BOLT M10X1.25X190	2	1BE-11107-00
20	35101	CYLINDER BOLT M10X1.25X200	2	1BE-11108-00
21	35102	WASHER, CYLINDER BOLT	4	1BE-11109-00
22	50076	DOWEL PIN 8X14	2	1AC-15153-00
23	35141	EXHAUST VALVE	2	1BE-12121-00
24	35099	STUD M8X42	2	1BE-11106-00
25	12061	BOLT M6X35	2	B11A60635R
26	35096e	CYLINDER HEAD	1	1BK-11101-00
27	48429	CYLINDER HEAD ASSY	1	1BK-11110-00

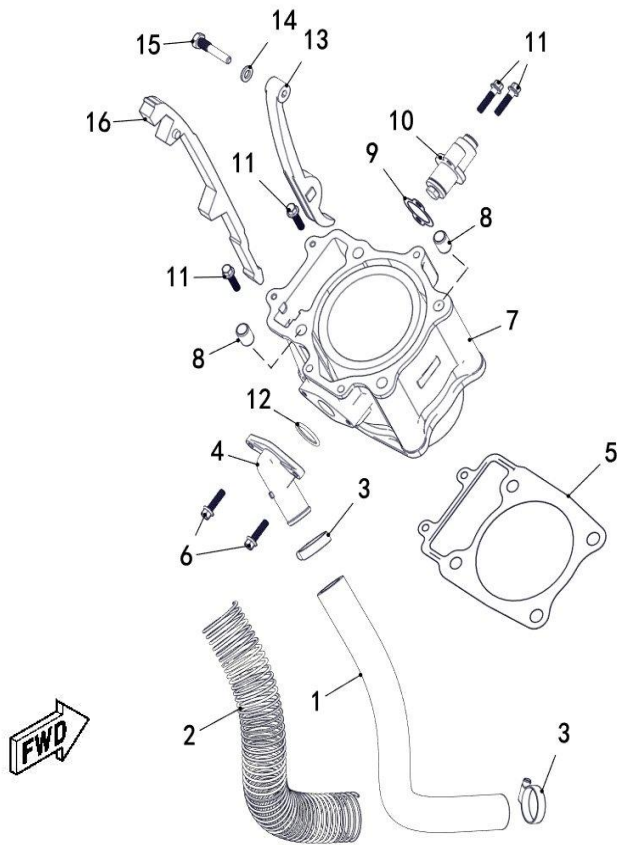
### 3 CAMSHAFT CHAIN

---



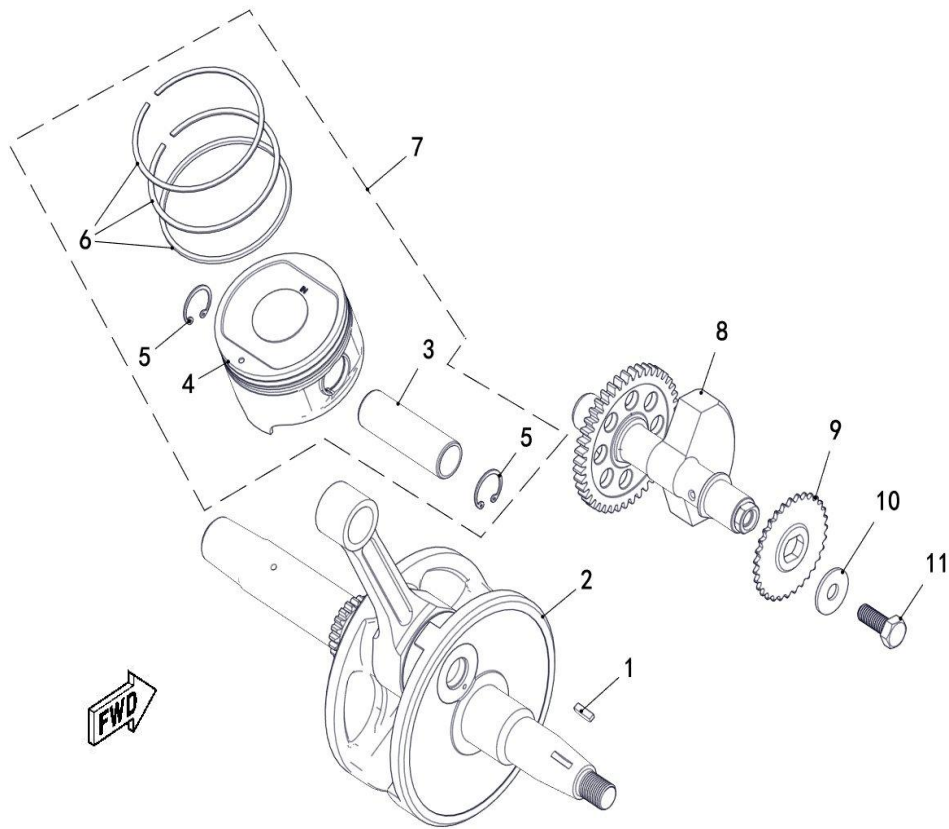
REF. No.	PART No.	DESCRIPTION	Q' TY	PLM
1	35970	CAMSHAFT AND TIMING SPROCKET ASSEMBLY	1	1BE-12175-00
2	35163	TIMING CHAIN	1	1BE-12251-00
3	35152	CAMSHAFT SPACER	1	1BE-12173-00

#### 4 CYLINDER



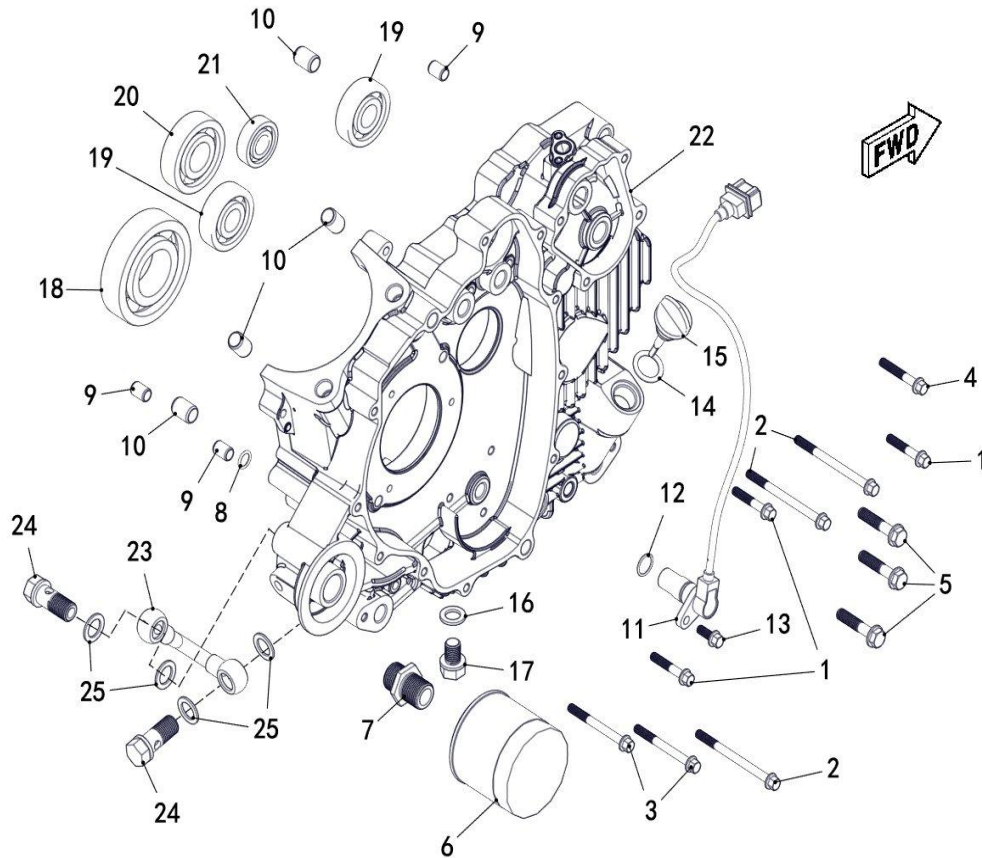
REF. No.	PART No.	DESCRIPTION	Q' TY	PLM
1	35116	WATER INLET HOSE	1	1BE-11303-00
2	35117	SLEEVE, WATER HOSE	1	1BE-11304-00
3	35343	CLAMP 20/32	2	4AB-12495-00
4	35114	JOINT, WATER INLET	1	1BE-11301-00
5	35120	GASKET, CYLINDER	1	1BE-11351-00
6	12065	BOLT M6X22	2	B11A60622R
7	35119	CYLINDER	1	1BE-11310-00
8	35118	DOWEL PIN 13X18	2	1BE-11309-00
9	35158	GASKET, TENSIONER	1	1BE-12213-00
10	35157	TENSIONER	1	1BE-12210-00
11	12059	BOLT M6X25	4	B11A60625R
12	35115	O-RING 24X2.5	1	1BE-11302-00
13	35160	TENSIONER PLATE	1	1BE-12241-00
14	35162	WASHER 8	1	1BE-12247-00
15	35161	BOLT, TENSIONER PLATE	1	1BE-12246-00
16	35159	TIMING CHAIN GUIDE	1	1BE-12231-00

## 5 CRANKSHAFT COMP



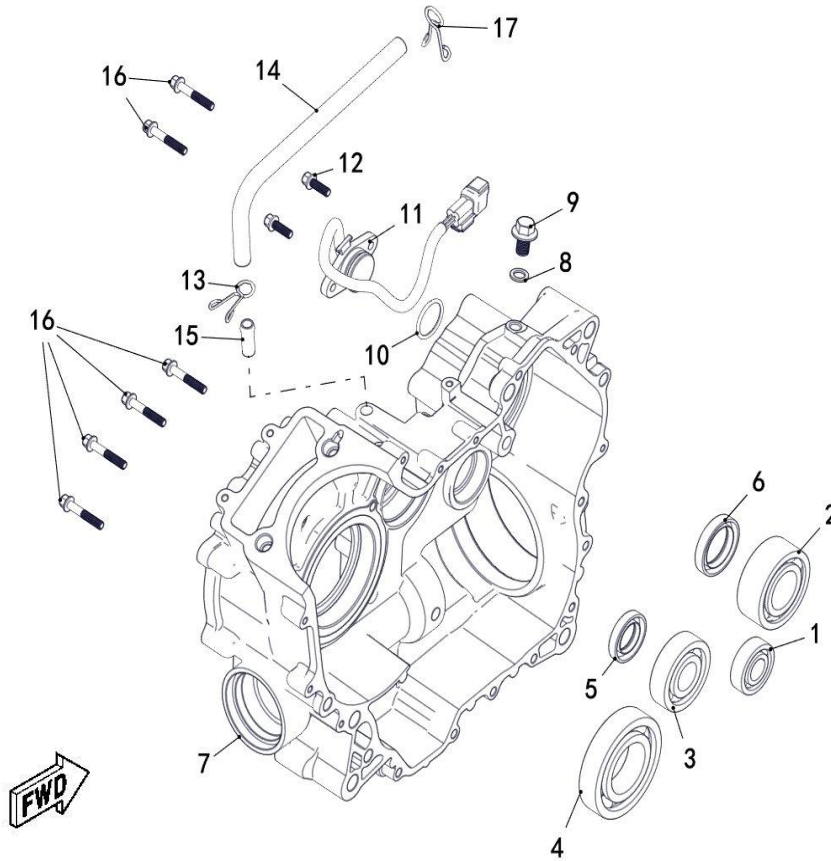
REF. No.	PART No.	DESCRIPTION	Q' TY	PLM
1	35133	KEY	1	1BE-11666-00
2	47288	CRANKSHAFT	1	1BZ-11400-00
3	35128	PISTON PIN	1	1BE-11633-00
4	35127	PISTON	1	1BE-11631-00
5	35129	CLIP, PISTON PIN	2	1BE-11634-00
6	47289	PISTON RING KIT	1	1BE-11616-00
7	35859	PISTON ASSY	1	1BE-11610-00
8	47290	BALANCE SHAFT ASSY	1	1BE-11661-00
9	35132	SPROCKET, BALANCE SHAFT	1	1BE-11664-00
10	35134	WASHER 10. 2X28X2	1	1BE-11669-00
11	10028	BOLT M10X25	1	B14A31025R

## 6 LEFT CRANKCASE



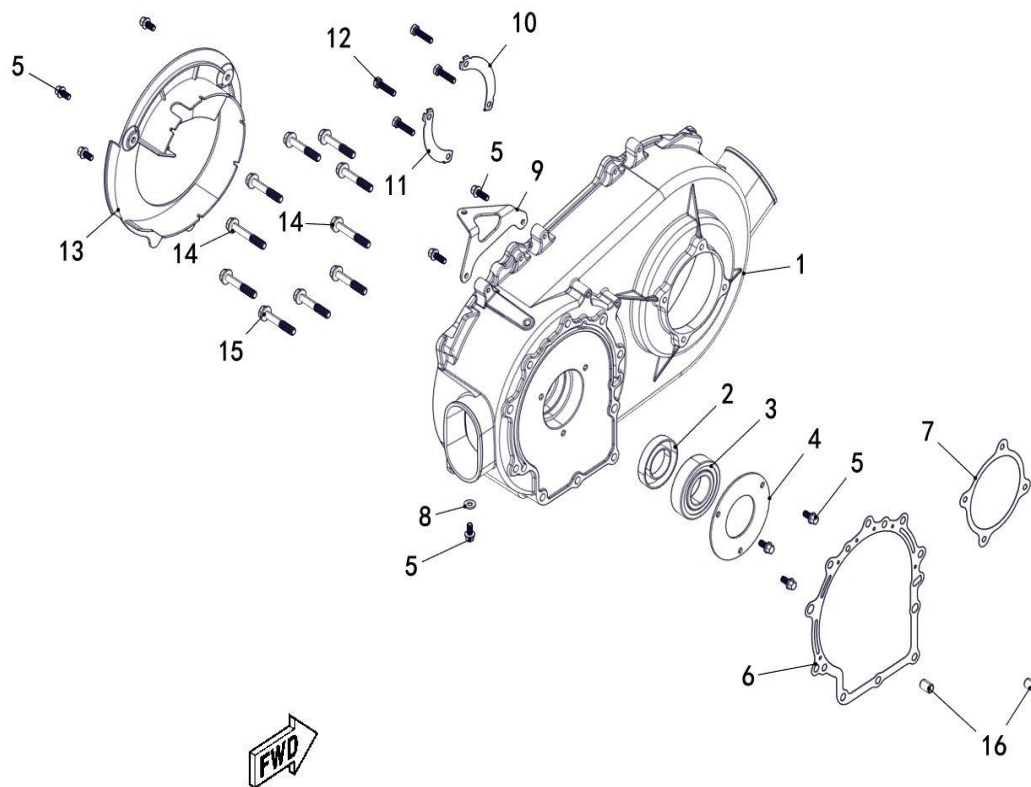
REF. No.	PART No.	DESCRIPTION	Q' TY	PLM
1	12066	BOLT M6X35	3	B11A606350
2	12067	BOLT M6X80	3	B11A606800
3	11587	BOLT M6X60	2	B11A606600
4	11603	BOLT M6X40	1	B11A606400
5	35221	BOLT M8X38	3	1BE-15174-00
6	35223	OIL FILTER	1	1BE-15190-00
7	35213	BOLT, OIL FILTER	1	1BE-15104-00
8	10843	O-RING 10X1.8	1	B920101801
9	35094	DOWEL PIN 10X14	3	1BB-17109-00
10	35118	DOWEL PIN 13X18	4	1BE-11309-00
11	35337	SPEED SENSOR	1	1BE-83700-00
12	35225	O-RING 14X1.44	1	1BE-15381-00
13	11589	BOLT M6X16	1	B11A606160
14	10844	O-RING 18X3.55	1	B920183551
15	35224	OIL DIP ROD	1	1BE-15363-00
16	1309283	WASHER 12	1	1AC-15343-00
17	50105	DRAIN BOLT M12X1.5	1	1AC-15342-00
18	10847	BEARING 6307	1	BCC0100086
19	10846	BEARING 6303C3	2	BCC0100084
20	10848	BEARING 63/22	1	BCC0100085
21	10849	BEARING 6202	1	BCC0100044
22	35216	LEFT CRANKCASE	1	1BE-15110-00
23	47291	OIL PIPE	1	1BE-15140-00
24	35214	HINGE BOLT M14X1.5	2	1BE-15106-00
25	35215	WASHER 14	4	1BE-15107-00

## 7 RIGHT CRANKCASE



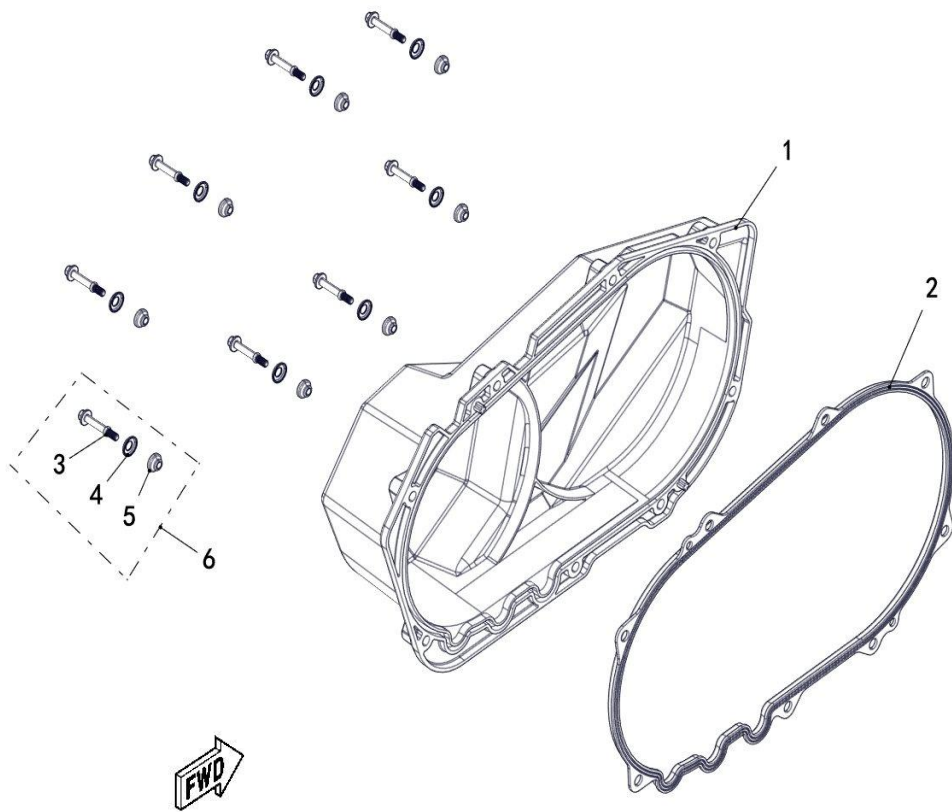
REF. No.	PART No.	DESCRIPTION	Q' TY	PLM
1	10851	BEARING 6203RS	1	BCC0100046
2	10860	BEARING 5206C3	1	BCC0300003
3	10848	BEARING 63/22	1	BCC0100085
4	10850	BEARING 6208	1	BCC0100067
5	35218	OIL SEAL 22X38X7	1	1BE-15160-00
6	35222	OIL SEAL 30X45X8	1	1BE-15180-00
7	35217	RIGHT CRANKCASE	1	1BE-15120-00
8	35227	WASHER 10	1	1BE-15383-00
9	11930	BOLT M10X1.25X16	1	B12A21016A
10	35226	O-RING 26X2.5	1	1BE-15382-00
11	47292	GEAR POSITION SENSOR	1	1BZ-83901-00
12	11591	BOLT M6X18	2	B11A606180
13	10845	CLAMP A12	1	BHGC673B12
14	48710	BREATHER HOSE	1	4GL-11166-00
15	35219	JOINT, BREATHER HOSE	1	1BE-15170-00
16	12066	BOLT M6X35	6	B11A606350
17	11889	CLAMP A15	1	BHGC150102

## 8 CVT HOUSING



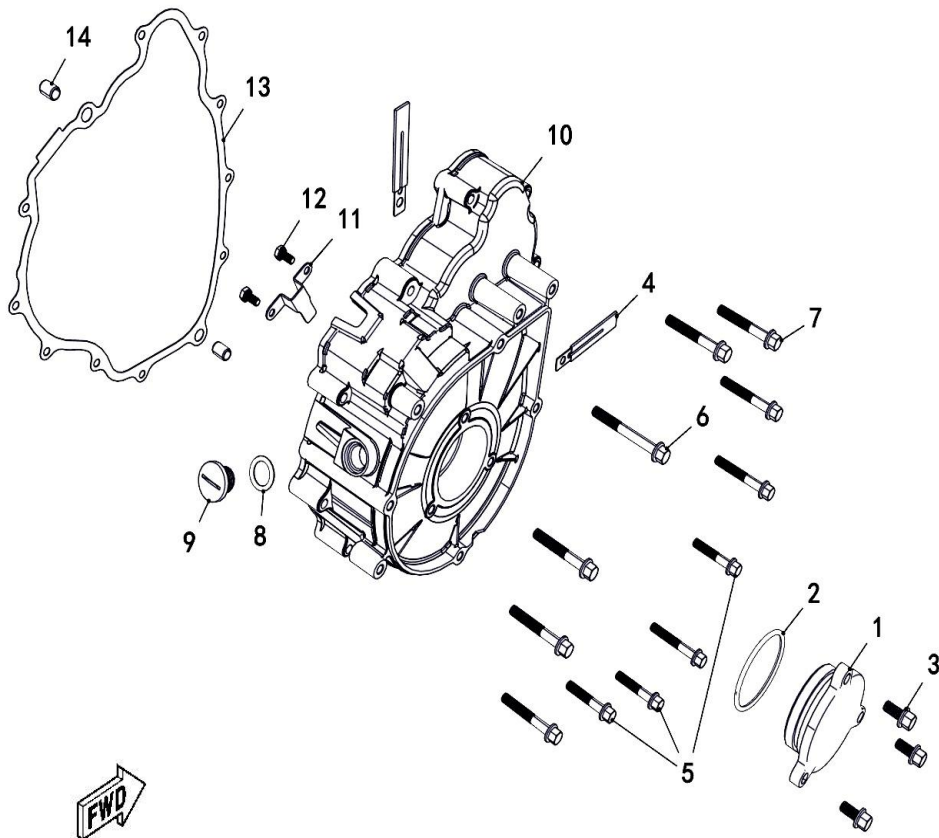
REF. No.	PART No.	DESCRIPTION	Q' TY	PLM
1	47293	CVT HOUSING	1	1BZ-15421-00
2	38077	OIL SEAL 32X55X10	1	1BX-15460-00
3	11931	BEARING 62/32RS	1	BCC0100141
4	47294	BEARING RETAINER, CVT	1	1BZ-15424-00
5	11596	BOLT M6X12	9	B11A606120
6	35238	GASKET 1, CVT HOUSING	1	1BE-15426-00
7	35239	GASKET 2, CVT HOUSING	1	1BE-15427-00
8	35108	WASHER 6	1	1BE-11188-00
9	47295	CONNECTING PLATE, AIR SHROUD	1	4DM-10006-00
10	47296	LOCK PLATE 2	1	1BE-15492-01
11	47297	LOCK PLATE 1	1	1BE-15491-01
12	11932	BOLT M6X25	4	B14A206250
13	47298	PLATE, AIR INTAKE	1	1BZ-15425-00
14	35232	BOLT M8X50	2	1BE-15413-00
15	35233	BOLT M8X45	8	1BE-15414-00
16	35094	DOWEL PIN 10X14	2	1BB-17109-00

## 9 CVT COVER



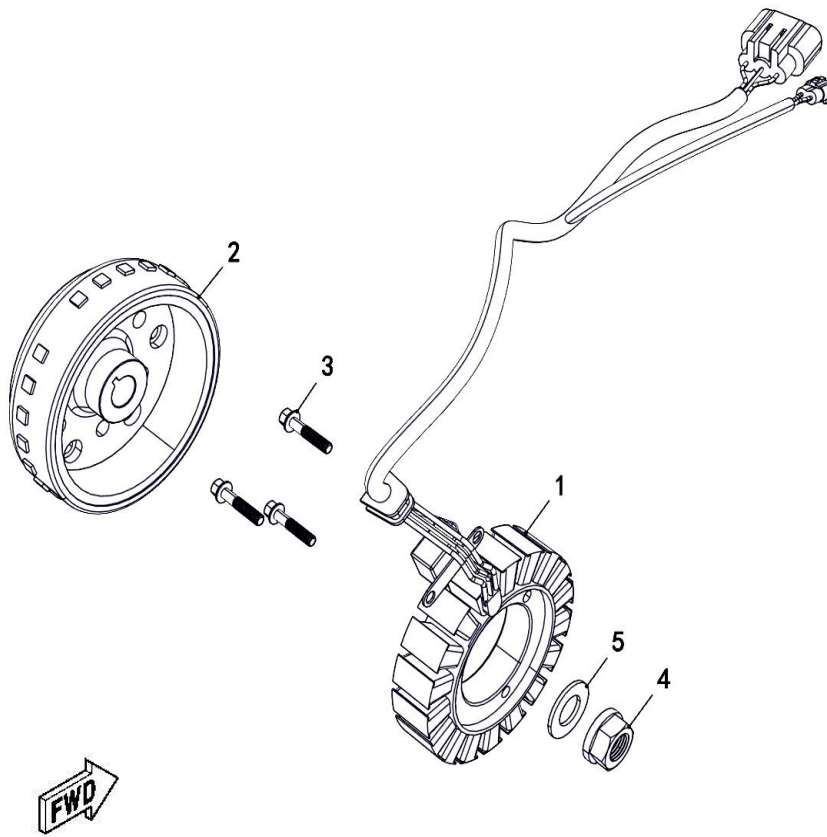
REF. No.	PART No.	DESCRIPTION	Q' TY	PLM
1	47299	CVT COVER	1	1BZ-15411-00
2	47300	SEAL RING CVT COVER	1	1BZ-15412-00
3	38007	BOLT CYLINDER HEAD COVER	8	1BX-11185-00
4	38006	CAP RUBBER WASHER	8	1BX-11184-00
5	38005	RUBBER WASHER	8	1BX-11183-00
6	38008	BOLT COMP CYLINDER HEAD COVER	8	1BX-11180-00

## 10 LEFT CRANKCASE COVER



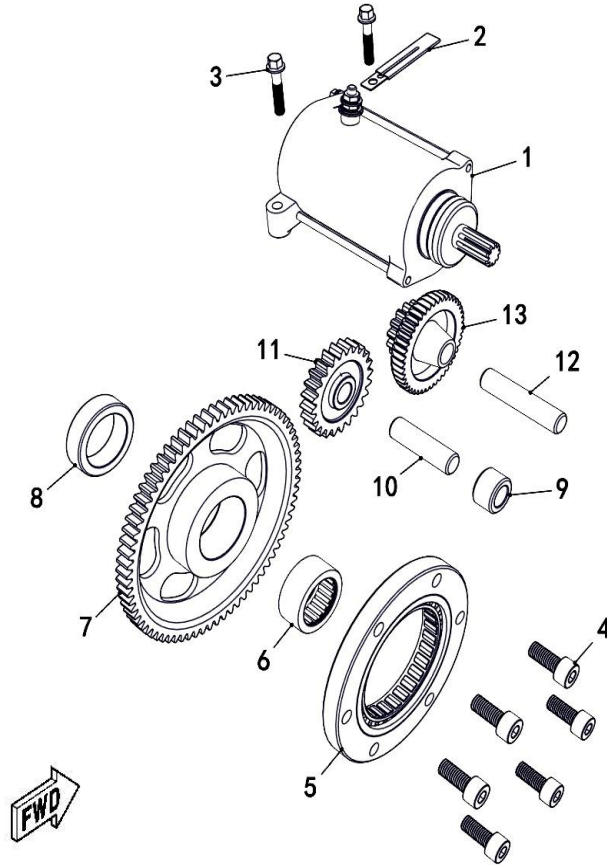
REF. No.	PART No.	DESCRIPTION	Q' TY	PLM
1	35537	END CAP	1	1BE-15418-00
2	10039	O-RING 46.5X2.65	1	B924652651
3	12064	BOLT M6X12	3	B11A60612R
4	35247	CABLE CLAMP	2	1BE-15456-00
5	12068	BOLT M6X32	3	B11A606320
6	11593	BOLT M6X50	1	B11A606500
7	11603	BOLT M6X40	8	B11A606400
8	35250	O-RING 12X2.8	1	1BE-15459-00
9	35249	PLUG, INSPECTION	1	1BE-15458-00
10	35234	LEFT CRANKCASE COVER	1	1BE-15417-00
11	35246	LEAD HOLDER	1	1BE-15455-00
12	12069	BOLT M5X10	2	B14A205100
13	35244	GASKET, LEFT CRANKCASE COVER	1	1BE-15453-00
14	35094	DOWEL PIN 10X14	2	1BB-17109-00

# 11 GENERATOR



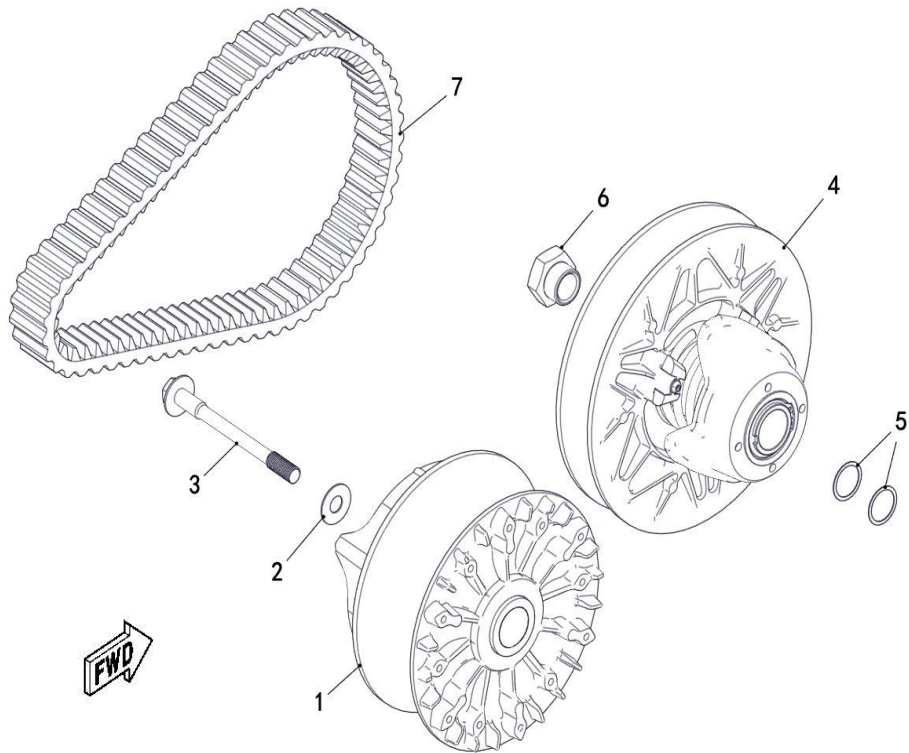
REF. No.	PART No.	DESCRIPTION	Q' TY	PLM
1	35334e	STATOR ASSY	1	1BK-81410-00
2	35335e	ROTOR ASSY	1	1BK-81450-00
3	12063	BOLT M6X30	3	B11A60630R
4	71688	NUT M16X1.5	1	1BA-85651-00
5	71689	WASHER 16.5	1	1BA-85652-00

## 12 ELECTRIC STARTER



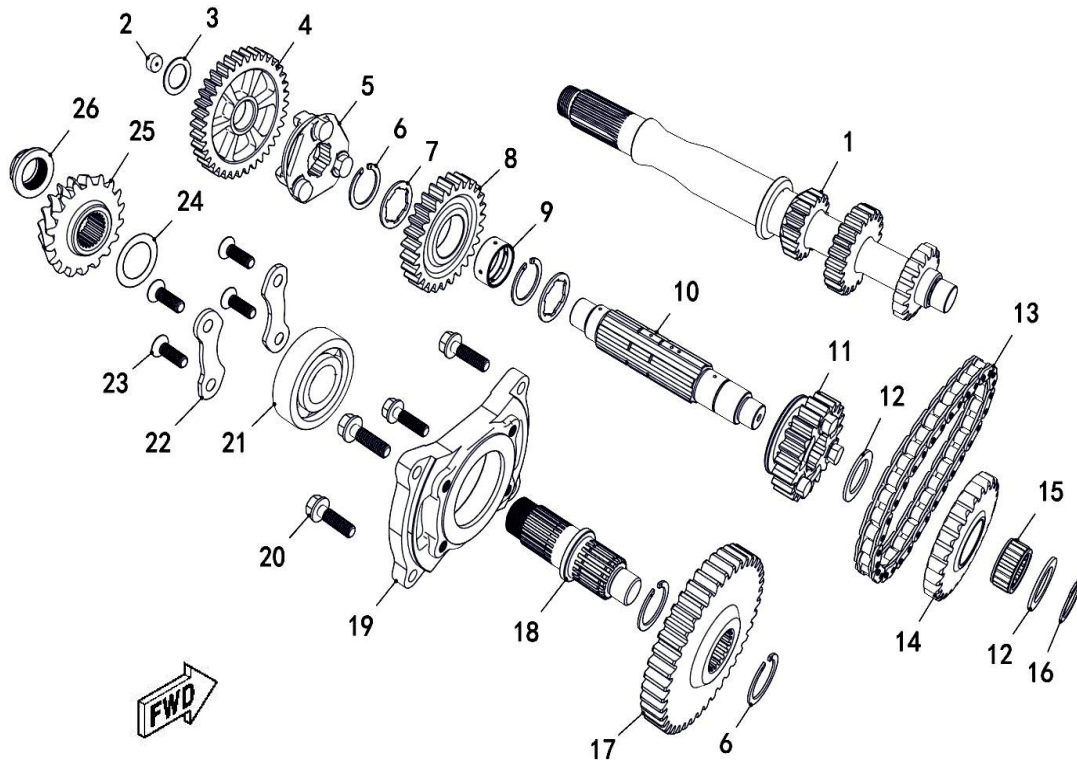
REF. No.	PART No.	DESCRIPTION	Q' TY	PLM
1	35336	STARTING MOTOR	1	1BE-81890-00
2	35247	CABLE CLAMP	1	1BE-15456-00
3	11604	BOLT M6X30	2	B11A606300
4	10830	SCREW M8X20	6	B22A00820R
5	35265	STATER CLUTCH	1	1BE-15590-00
6	10859	NEEDLE BEARING RNA49/22	1	BCC3400003
7	35260	OUTPUT GEAR ASSY	1	1BE-15517-00
8	35259	SPACER	1	1BE-15516-00
9	35264	IDLE GEAR BUSHING	1	1BE-15524-00
10	35262	IDLE GEAR SHAFT	1	1BE-15522-00
11	35263	IDLE GEAR	1	1BE-15523-00
12	35261	AXLE, DUAL GEAR	1	1BE-15521-00
13	35258	DUAL GEAR	1	1BE-15512-00

# 13 CLUTCH



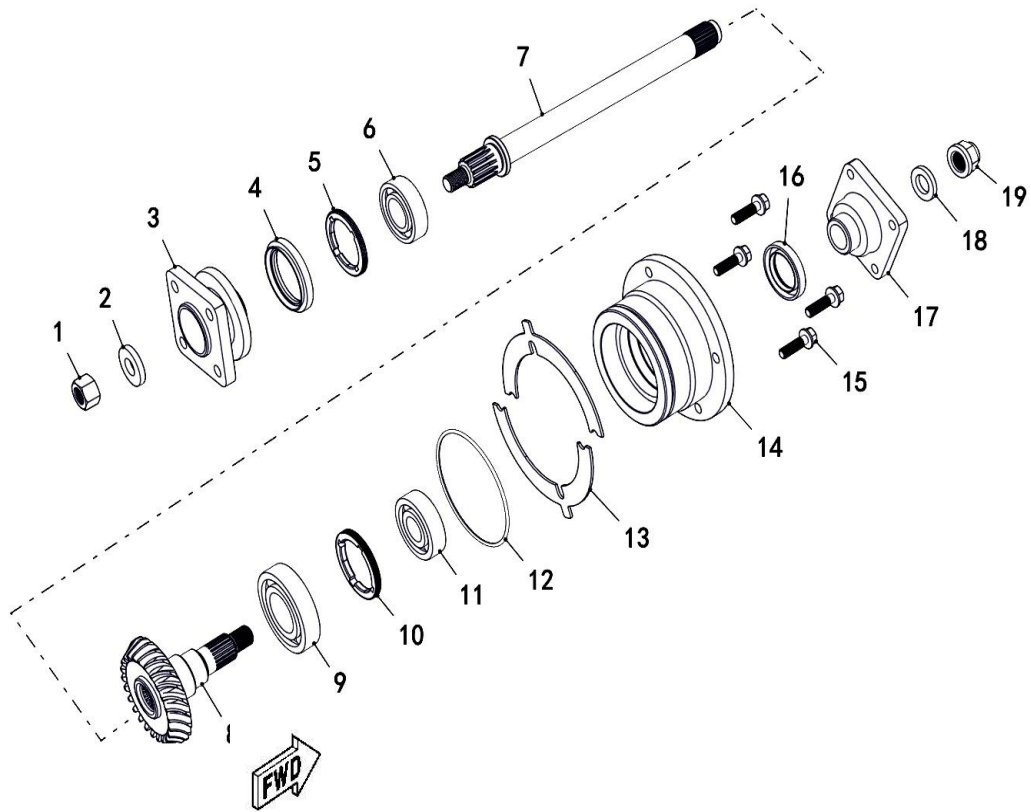
REF. No.	PART No.	DESCRIPTION	Q' TY	PLM
1	47301	DRIVE PULLEY	1	1BZ-17650-00
2	38105	DRIVE PULLEY WASHER	1	1BX-17648-00
3	38101	BOLT, DRIVE PULLEY	1	1BX-17643-00
4	47302	PULLEY, DRIVEN	1	1BZ-17660-00
5	38104	ADJUSTING WASHER	as needed	1BX-17639-00
6	38118	NUT, MAIN SHAFT	1	1BX-23552-00
7	47315	CVT BELT BANDO	1	1BZ-17641-00

# 14 TRANSMISSION I

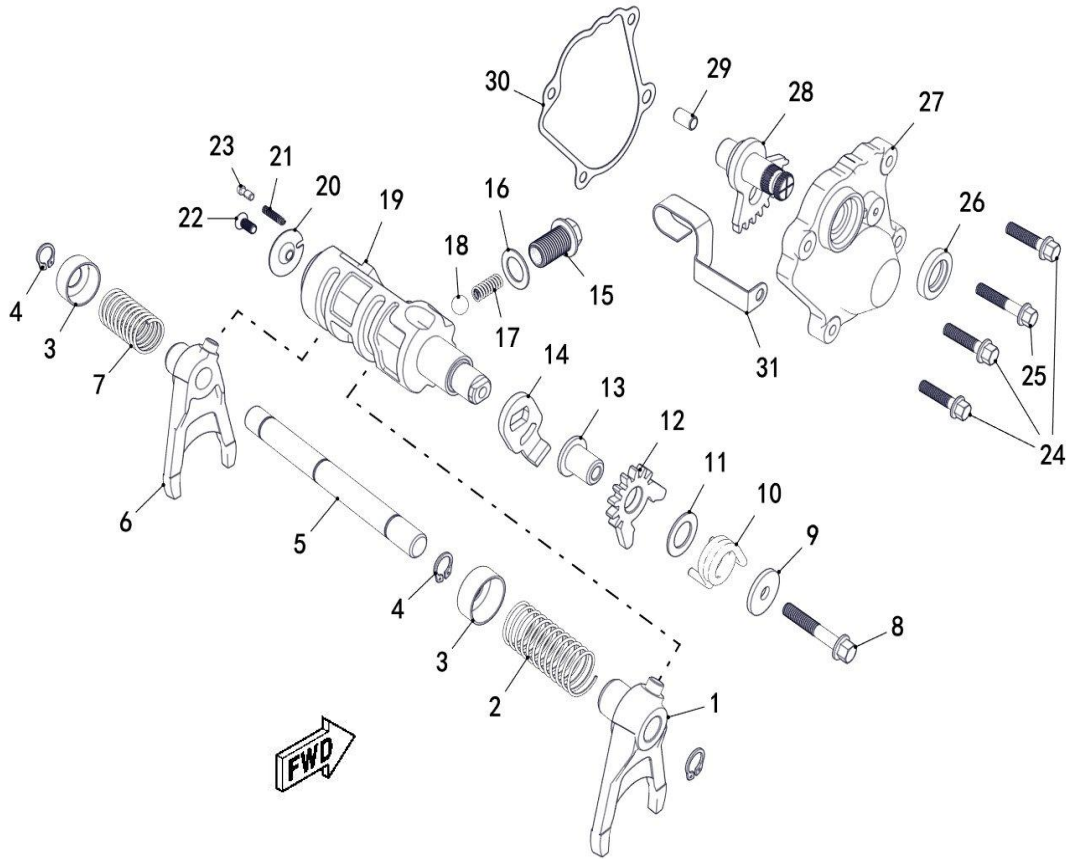


REF. No.	PART No.	DESCRIPTION	Q' TY	PLM
1	35320	MAIN SHAFT. GEARSHIFT	1	1BE-23551-00
2	35309	BELL PLUG 12	1	1BE-23527-00
3	35307	WASHER 17.5X26X1	1	1BE-23523-00
4	35318	DRIVEN GEAR, LOW RANGE	1	1BE-23546-00
5	35314	SLIDING BUSH, GEARSHIFT	1	1BE-23540-00
6	35311	CIRCLIP 25	4	1BE-23529-00
7	35310	SPLINE WASHER	2	1BE-23528-00
8	35316	DRIVEN GEAR, HIGH RANGE	1	1BE-23543-00
9	35317	BUSHING, DRIVEN HIGH RANGE GEAR	1	1BE-23544-00
10	35315	DRIVEN SHAFT	1	1BE-23541-00
11	35308	DRIVEN OUTPUT GEAR	1	1BE-23526-00
12	35312	WASHER 20.5X30X1.5	2	1BE-23534-00
13	35313	CHAIN, REVERSE GEAR	1	1BE-23537-00
14	35319	SPROCKET, REVERSE GEAR	1	1BE-23547-00
15	10858	NEEDLE BEARING K20X26X12	1	BCC3200004
16	24407	CIRCLIP 20	1	B753020000
17	35271	OUTPUT DRIVEN GEAR	1	1BE-17401-00
18	35276	DRIVE BEVEL GEAR SHAFT	1	1BE-17406-00
19	35274	BEARING SEAT, DRIVE BEVEL GEAR	1	1BE-17404-00
20	35286	BOLT M8X28	4	1BE-17418-00
21	10855	BEARING 6305C3	1	BCC0100089
22	35287	BEARING LIMIT	2	1BE-17419-00
23	11517	SCREW M8X25	4	B2AA00825R
24	35277	ADJUST WASHER, DRIVE BEVEL GEAR	1	1BE-17407-00
25	35272	DRIVE BEVEL GEAR	1	1BE-17402-00
26	35275	LOCKNUT, BEVEL GEAR	1	1BE-17405-00

15 TRANSMISSION II



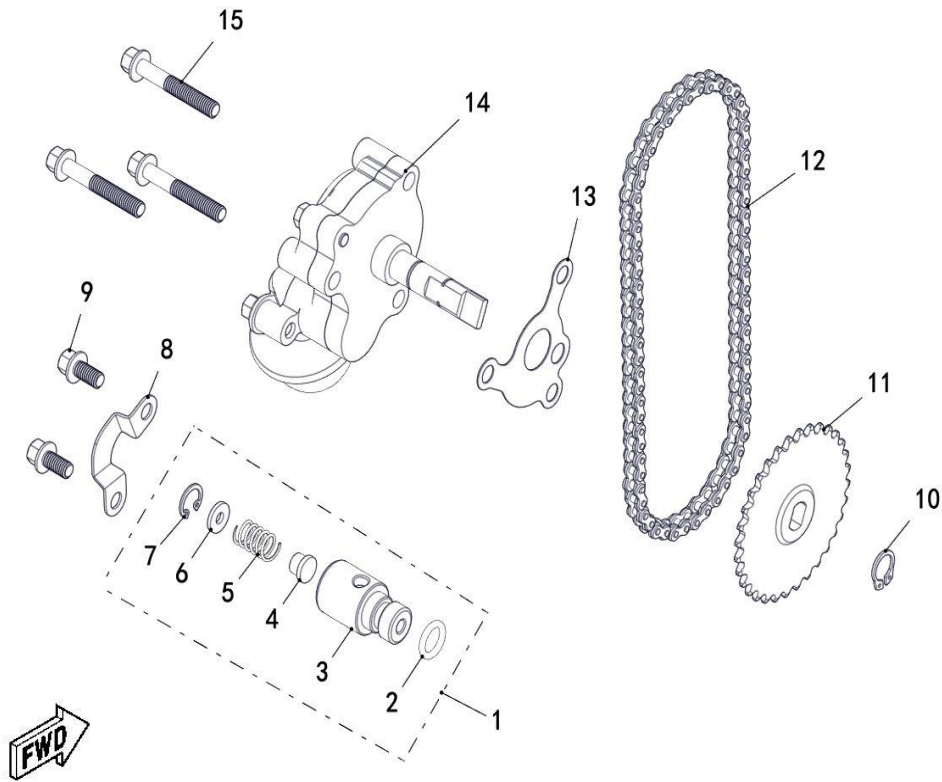
REF. No.	PART No.	DESCRIPTION	Q' TY	PLM
1	10837	NUT M14X1.5-10	1	B5NH61400F
2	35292	WASHER, FRONT TRANSMISSION OUTPUT SHAFT NUT	1	1BE-17468-00
3	48430	COUPLER, FRONT TRANSMISSION OUTPUT	1	4CZ-17463-00
4	35289	OIL SEAL 44X60X6.7/10	1	1BE-17462-00
5	35291	BEARING RETAINER, FRONT OUTPUT SHAFT	1	1BE-17466-00
6	10267N	BEARING 6205	1	BCC0100051
7	35288	FRONT OUTPUT SHAFT	1	1BE-17461-00
8	35273	DRIVEN BEVEL GEAR	1	1BE-17403-00
9	10856	BEARING 6207/P63	1	BCC0100090
10	35282	BEARING LIMIT NUT	1	1BE-17414-00
11	10848	BEARING 63/22	1	BCC0100085
12	35279	O-RING 88X2.4	1	1BE-17411-00
13	35280	ADJUST WASHER, DRIVEN BEVEL GEAR	2	1BE-17412-00
14	35278	BEARING SEAT, DRIVEN BEVEL GEAR	1	1BE-17410-00
15	35286	BOLT M8X28	4	1BE-17418-00
16	35281	OIL SEAL 30X46X7	1	1BE-17413-00
17	35283	COUPLER, REAR TRANSMISSION OUTPUT	1	1BE-17415-00
18	35284	WASHER, REAR OUTPUT SHAFT NUT	1	1BE-17416-00
19	35285	NUT, REAR OUTPUT SHAFT	1	1BE-17417-00



REF. No.	PART No.	DESCRIPTION	Q' TY	PLM
1	35330	LEFT SHIFT FORK	1	1BE-23581-00
2	35327	SPRING 1, SHIFT FORK	1	1BE-23577-00
3	35326	SPRING SEAT	2	1BE-23576-00
4	10129	CIRCLIP 12	3	B753012000
5	35333	GUIDE BAR	1	1BE-23585-00
6	35329	RIGHT SHIFT FORK	1	1BE-23579-00
7	35328	SPRING 2, SHIFT FORK	1	1BE-23578-00
8	12061	BOLT M6X35	1	B11A60635R
9	35306	WASHER 6. 6X22X2	1	1BE-23519-00
10	35305	TORSION SPRING, DRIVEN SECTOR GEAR	1	1BE-23518-00
11	35304	WASHER 13. 5X22X1	1	1BE-23517-00
12	35301	DRIVEN SECTOR GEAR	1	1BE-23514-00
13	35302	SHAFT, DRIVEN SECTOR GEAR	1	1BE-23515-00
14	35303	WASHER, DRIVEN SECTOR GEAR	1	1BE-23516-00
15	35325	HOLE BOLT M14X1. 5	1	1BE-23575-00
16	35324	WASHER 14X22X1	1	1BE-23574-00
17	35332	LIMIT SPRING	1	1BE-23584-00
18	10842	FRICTION BALL 3/8	1	B940952500
19	35331	SHIFT CAM	1	1BE-23583-00
20	35323	LIMIT WASHER	1	1BE-23573-00
21	35322	SPRING, GEAR CONTACTOR	1	1BE-23572-00
22	10135	SCREW M5X12	1	B2AA00512R
23	35321	GEAR CONTACTOR	1	1BE-23571-00
24	12070	BOLT M6X25	3	B11A606250
25	12068	BOLT M6X32	1	B11A606320
26	35242	OIL SEAL 15X25X5	1	1BE-15433-00

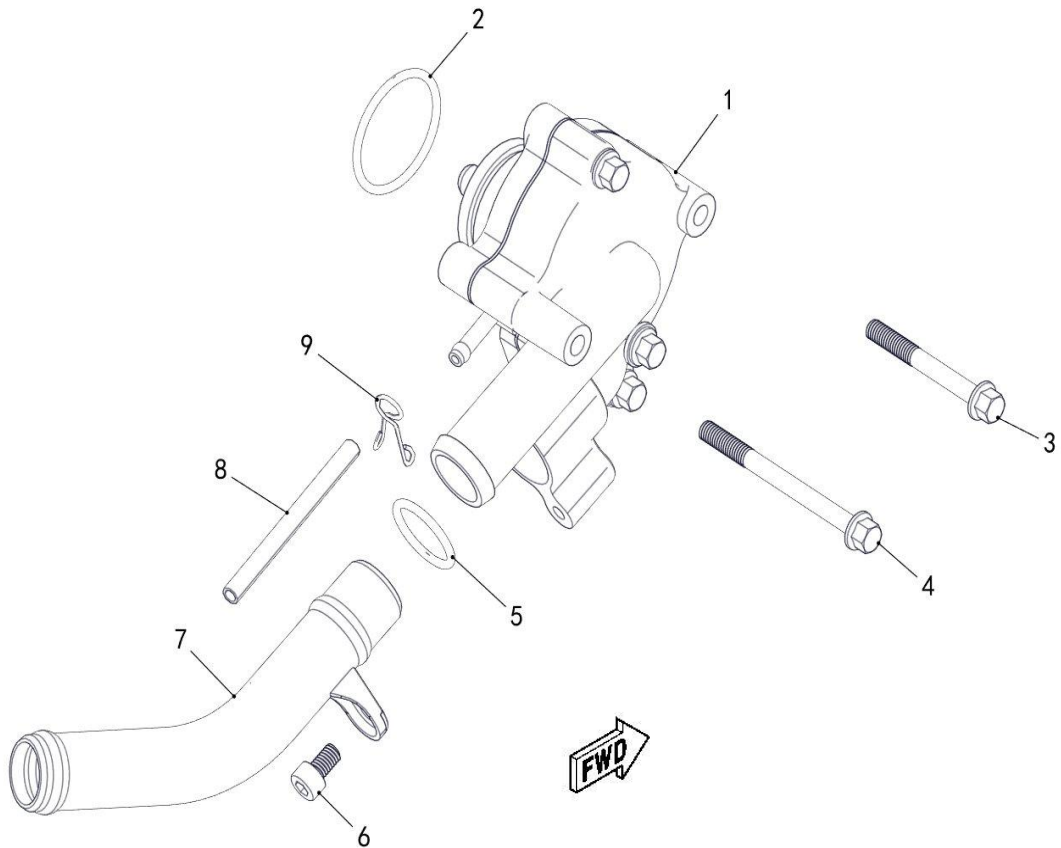
27	35240	COVER, SECTOR GEAR HOUSING	1	1BE-15431-00
28	35300	WELD PART, DRIVE SECTOR GEAR	1	1BE-23511-00
29	50076	DOWEL PIN 8X14	1	1AC-15153-00
30	35241	GASKET, SECTOR GEAR HOUSING	1	1BE-15432-00
31	35243	CLIP	1	1BE-15434-00

## 17 OIL PUMP



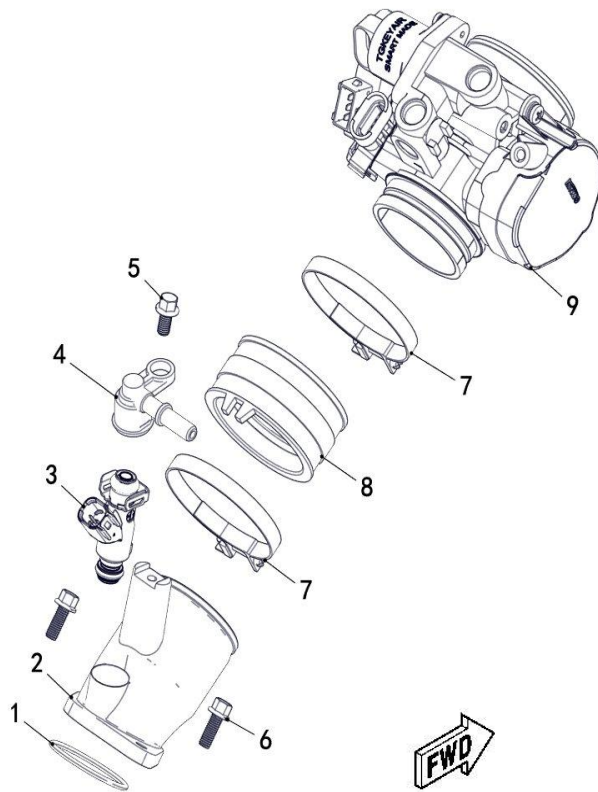
REF. No.	PART No.	DESCRIPTION	Q' TY	PIN	I/C	PLM
1	35197	RELIEF VALVE	1			1BE-13360-00
2	35200	O-RING 10X2.3	1			1BE-13363-00
3	35198	RELIEF VALVE BODY	1			1BE-13361-00
4	35199	OIL PLUG, RELIEF VALVE	1			1BE-13362-00
5	35201	SPRING RELIEF VALVE	1			1BE-13364-00
6	35202	SPRING WASHER	1			1BE-13365-00
7	10838	CIRCLIP 12	1			B723012000
8	35203	PRESSURE STRIP, RELIEF VALVE	1			1BE-13371-00
9	12064	BOLT M6X12	2			B11A60612R
10	10840	CIRCLIP 11	1			B753011000
11	35191	SPROCKET, OIL PUMP	1			1BE-13305-00
12	35196	CHAIN, OIL PUMP	1			1BE-13320-00
13	35206	GASKET, OIL PUMP	1			1BE-13475-00
14	35195	OIL PUMP	1			1BE-13310-00
15	12071	BOLT M6X40	3			B11A60640R

18 WATER PUMP



REF. No.	PART No.	DESCRIPTION	Q' TY	PLM
1	35179	WATER PUMP ASSY	1	1BE-12440-00
2	35174	O-RING 34X2.5	1	1BE-12425-00
3	12072	BOLT M6X50	1	B11A60650R
4	12073	BOLT M6X70	1	B11A60670R
5	35182	O-RING 21X2.5	1	1BE-12481-00
6	10831	SCREW M6X10	1	B22L50610R
7	47303	WATER OUTLET PIPE	1	4CZ-12480-00
8	48548	PIPE (Φ5X150)	1	1BE-12461-00
9	48547	CLAMP 6.5	1	1BE-12466-00

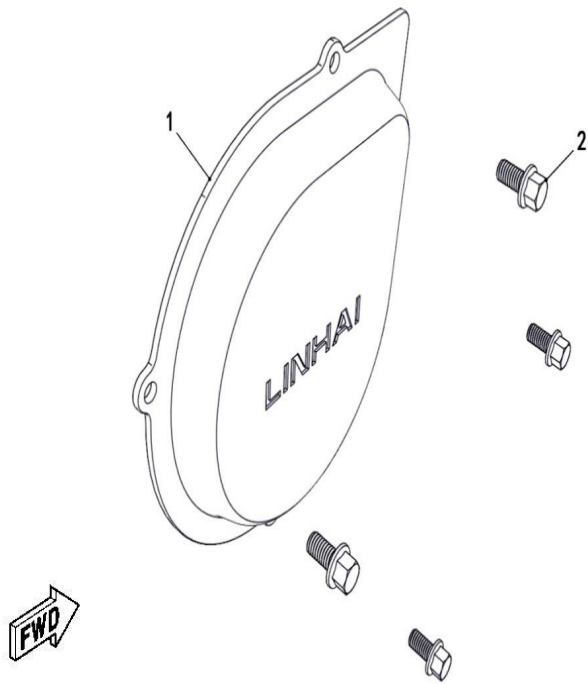
19 FUEL INJECTION ASSY



REF. No.	PART No.	DESCRIPTION	Q' TY	PLM
1	35207	O-RING 40X2.4	1	1BE-13554-00
2	35744	JOINT, CARBURETOR	1	1BK-13586-00
3	35745	INJECTOR (4016)	1	1BK-13510-00
4	47304	INJECTOR CAP	1	1BK-13584-10
5	10716W	BOLT M6X10	1	B11A20610R
6	11495	BOLT M6X16	2	B11A30616R
7	71844	CLIP 64	2	1BA-13587-00
8	71849	JOINT, FEED HOSE	1	1BA-13583-00
9	36201	THROTTLE BODY ASSEMBLY (D46F-2)	1	1BK-13520-10

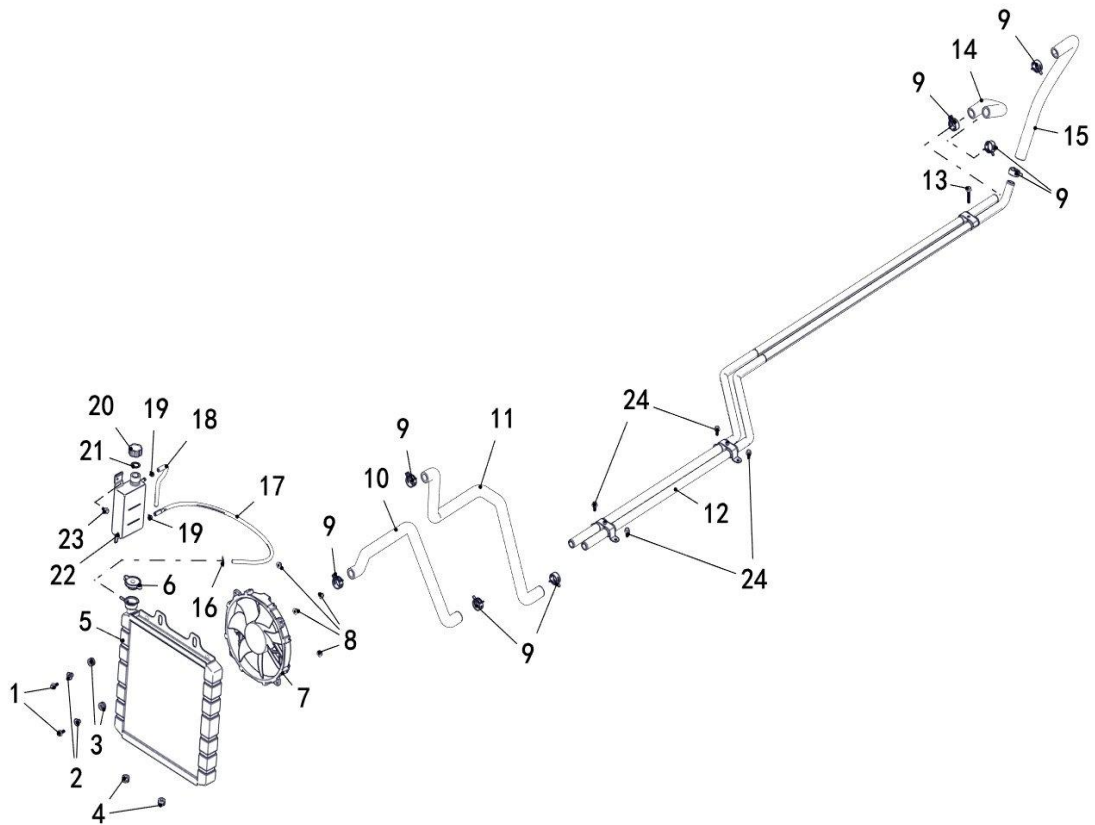
## 20 LEFT SIDE COVER

---



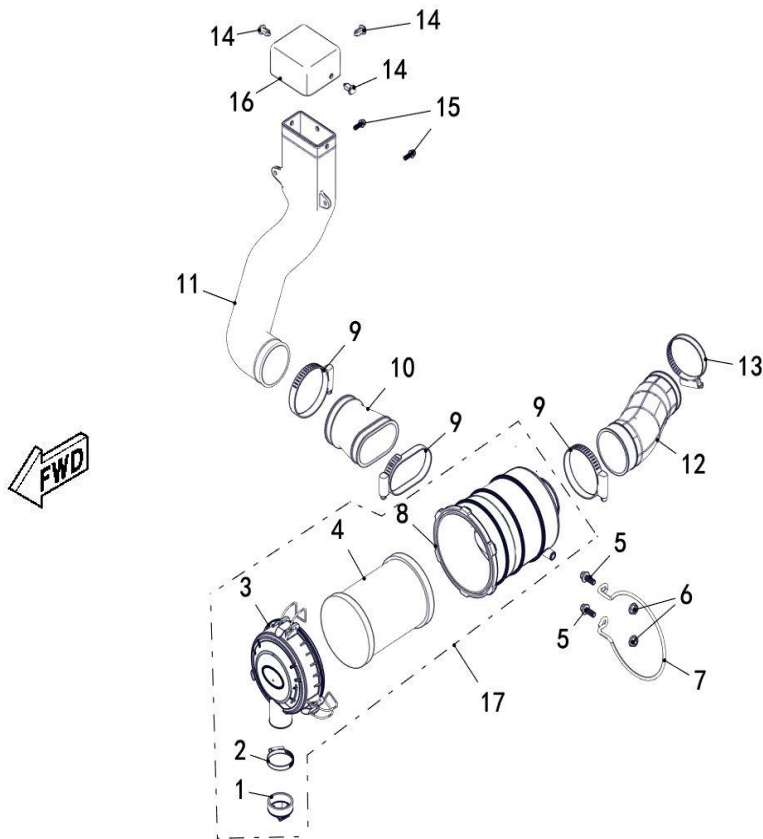
REF. No.	PART No.	DESCRIPTION	Q'TY	PIN	I/C	PLM
1	35270	LEFT SIDE COVER	1			1BE-15781-00
2	12064	BOLT M6X12	4			B11A60612R

## 21 RADIATOR



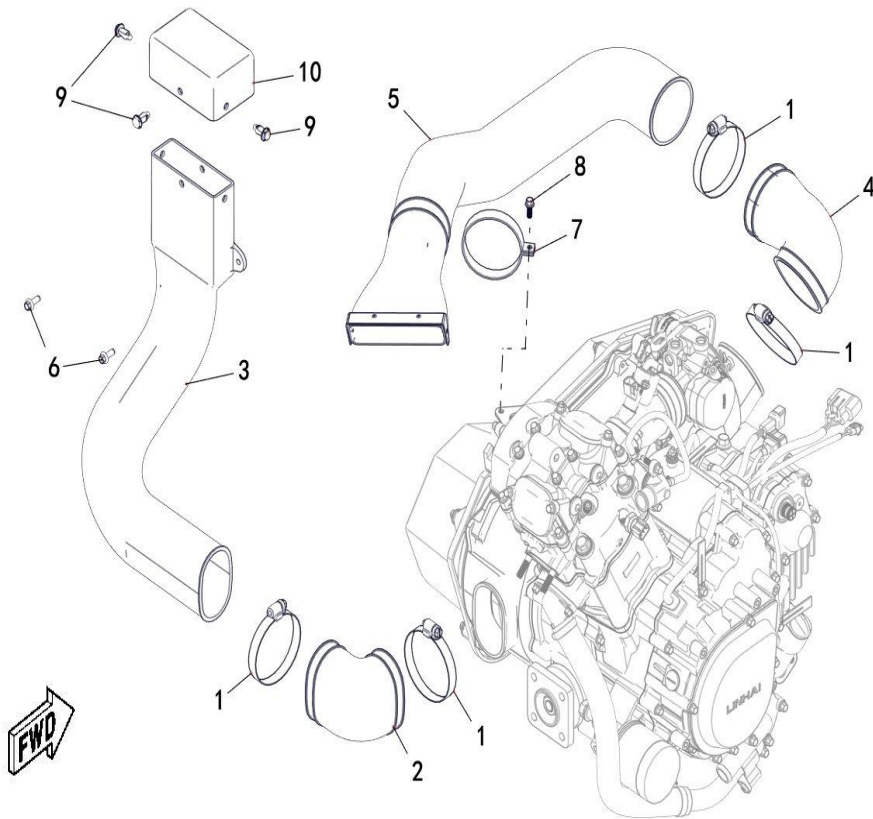
REF. No.	PART No.	DESCRIPTION	Q'TY	PLM
1	11307	BOLT M6X25	2	B13A40625R
2	36052	COLLAR	2	4BB-21802-00
3	36053	RADIATOR SIDE GROMMET, UP	2	4BB-21803-00
4	36054	RADIATOR SIDE GROMMET, DOWN	2	4BB-21804-00
5	47305	RADIATOR	1	4DM-12401-00
6	22907a	SAFETY VALVE	1	1BB-12590-00
7	47314	BLOWER ASSY	1	4DM-12611-00
8	11233	NUT M6	4	B51F30600R
9	11203	CLIP 28	8	BHG2280102
10	47307	HOSE, RETURN	1	4DM-12482-00
11	47308	HOSE, FEED	1	4DM-12483-00
12	47309	BRACKET	1	4DM-12476-00
13	11260	BOLT M6X40	1	B11A40640R
14	48018	RETURN HOSE, CYLINDER	1	4CZ-12484-00
15	48019	FEED HOSE, VALVE	1	4CZ-12485-00
16	72283	CLIP 7.7	1	4CC-24134-00
17	47762	PIPE, SAFETY VALVE	1	4FJ-21813-00
18	48325	PIPE, TANK RECOVERY	1	4CZ-12582-00
19	43521	CLIP 9	2	1BB-14887-00
20	70338	COVER, TANK RECOVERY	1	4AB-21820-00
21	70339	WASHER, TANK RECOVERY	1	4AB-21811-00
22	83456	TANK RECOVERY	1	4CA-12470-00
23	10140B	BOLT M6X12	1	B11A30612R
24	11495	BOLT M6X16	4	B11A30616R

23 AIR CLEANER



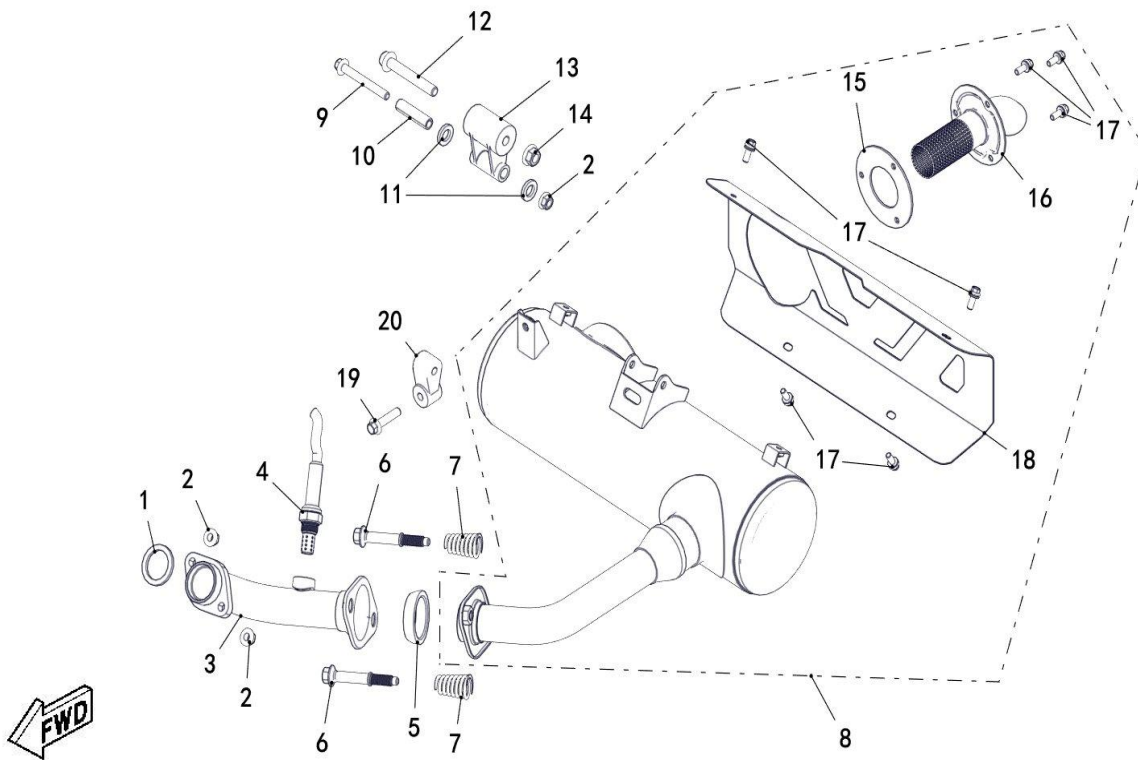
REF. No.	PART No.	DESCRIPTION	Q' TY	PLM
1	73835	OIL CAP	1	4FE-14446-00
2	47545	CLIP 27/51	1	4FE-14440-00
3	73823	COVER, AIR CLEANER	1	4FE-14404-00
4	73824	ELEMENT COMP AIR CLEANER	1	4FE-14405-00
5	10783	BOLT M8X20	2	B11A30820R
6	10882	NUT M8	2	B51F30800R
7	73842	AIR CLEANER MOUNTING CLAMP	1	4FE-21203-00
8	73826	CASE, AIR CLEANER	1	4FE-14407-00
9	35670	CLIP 70-90	3	1DA-15448-00
10	73834	AIR CLEANER INLET CONNECTION PIPE	1	4FE-14438-00
11	73829	AIR CLEANER INTAKE PIPE	1	4FE-14421-00
12	48646	AIR CLEANER CONNECTING PIPE	1	4GL-14401-00
13	35747	CLIP 52/76	1	4AL-14409-00
14	48252	PLASTIC SCREW	3	4CZ-28355-00
15	11495	BOLT M6X16	2	B11A30616R
16	48647	INTAKE HOSE COVER	1	4GL-10004-00
17	47544	AIR CLEANER ASSY	1	4FE-14400-00

## 24 CVT AIR SHROUD



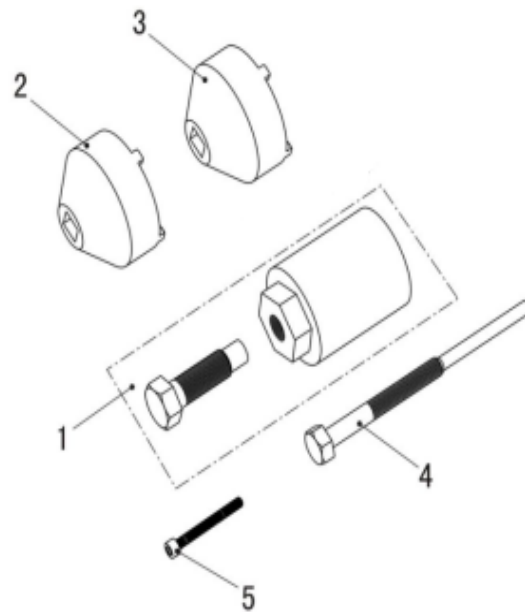
REF. No.	PART No.	DESCRIPTION	Q'TY	PLM
1	35670	CLAMP 80	4	1DA-15448-00
2	48007	RUBBER JOINT AIR SHROUD 1, CVT	1	4CZ-10001-00
3	48008	AIR SHROUD 1, CVT	1	4CZ-10002-00
4	26339	RUBBER JOINT AIR SHROUD 2, CVT	1	4CR-10003-00
5	48009	AIR SHROUD 2, CVT	1	4CZ-10003-00
6	11495	BOLT M6X16	2	B11A30616R
7	48011	CLAMP AIR SHROUD 2, CVT	1	4CZ-10005-00
8	11241	BOLT M6X30	1	B13A40630R
9	48252	PLASTIC SCREW	3	4CZ-28355-00
10	48650	INTAKE HOSE COVER	1	4GL-10005-00

25 EXHAUST



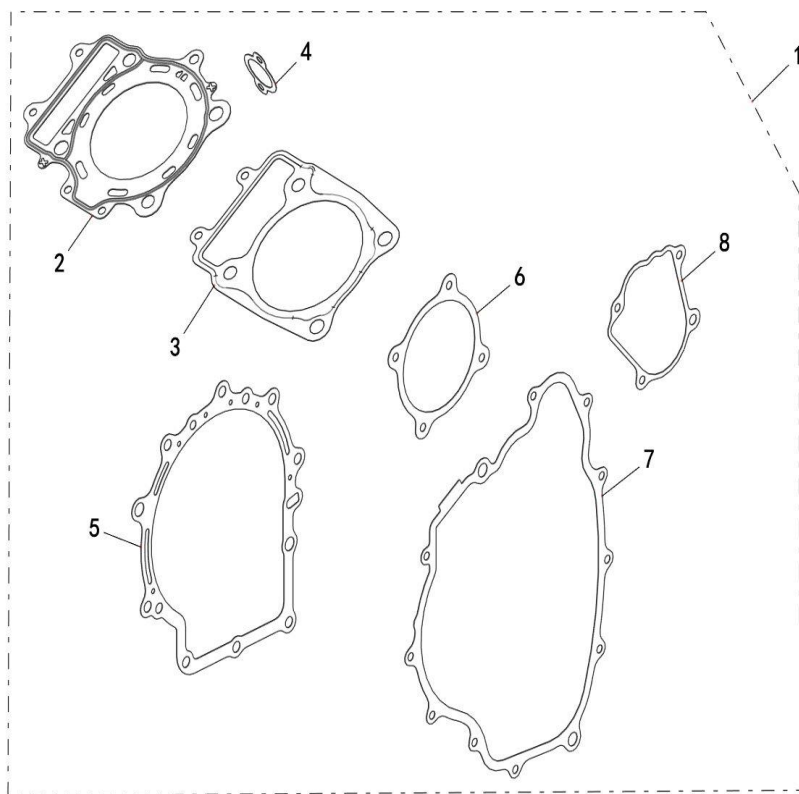
REF. No.	PART No.	DESCRIPTION	Q' TY	PLM
1	48037	GASKET, EXHAUST PIPE	1	4CZ-14613-00
2	10882	NUT M8	3	B51F30800R
3	47310	PIPE, EXHAUST	1	4DM-14611-00
4	47555	OXYGEN SENSOR	1	4CM-14640-00
5	47311	JOUNT	1	4DM-14701-00
6	62368	SPRING BOLT	2	4BS-14634-00
7	62369	SPRING	2	4BS-14633-00
8	47312	MUFFLER	1	4DM-14711-00
9	11261	BOLT M8X68	1	B11A30868R
10	48042	SPACER 11. 7X46	1	4CZ-14747-00
11	48043	WIRE WASHER	2	4CZ-14748-00
12	11647	BOLT M10X1. 25X70	1	B12D31070A
13	48041	CONNECTION BLOCK	1	4CZ-14738-00
14	11287	NUT M10	1	B52F31000A
15	73911	GASKET, TAIL PIPE	1	4DK-14714-00
16	73912	TAIL PIPE	1	4DK-14715-00
17	11890	COMBINATION SCREW M6X12	7	B8BA20612R
18	73913	MUFFLER GUARD	1	4DK-14726-00
19	11030	BOLT M8X35	1	B11A30835R
20	48040	SOFT RUBBER CONNECTION	1	4CZ-14736-00

## 26 TOOLS



REF. No.	PART No.	DESCRIPTION	Q'TY	PLM
1	80129	ROTOR ASSY PULLER	1	1BE-85610-00
2	80130	BEARING RETAINER, FRONT OUTPUT SHAFT, NU	1	LH188MR FZ/24
3	80131	BEARING LIMIT NUT, NUT WRENCH	1	LH188MR FZ/25
4	38144	DRIVING WHEEL PULLER	1	1BX-17653-00
5	38177	CVT BELT BANDO PULLER (BOLT M6X55 )	1	B22A306550

27 FRAGILE GASKET ASSY.



REF. No.	PART No.	DESCRIPTION	Q' TY	PLM
1	38192	GASKET, ASSY.	1	1BE-10010-00
2	35106	GASKET, CYLINDER HEAD	1	1BE-11181-00
3	35120	PAPER WASHER CYLINDER BODY	1	1BE-11351-00
4	35158	GASKET, TENSIONER	1	1BE-12213-00
5	35238	PAPER GASKET, CVT CASE 1	1	1BE-15426-00
6	35239	PAPER GASKET, CVT CASE 2	1	1BE-15427-00
7	35244	GASKET, LEFT CRANKCASE COVER	1	1BE-15453-00
8	35241	GASKET, SECTOR GEAR HOUSING	1	1BE-15432-00