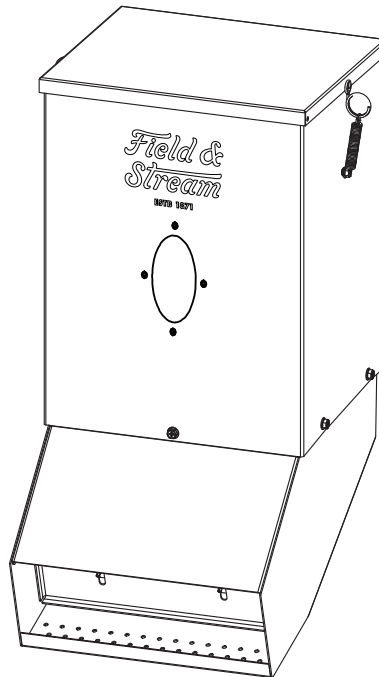


Field & Stream ESTB 1871

**HANGING FEEDER
OWNER'S MANUAL
ASSEMBLY AND OPERATING INSTRUCTIONS**

SAVE THIS MANUAL FOR FUTURE REFERENCE



Model FDR0070FS



NOTICE TO INSTALLER:
LEAVE THESE INSTRUCTIONS
WITH THE FEEDER OWNER FOR
FUTURE REFERENCE.

Customer Service: help@fairgameus.com or 1-855-735-9922
For replacement parts or feeder accessories, please visit us at www.fairgameus.com/fieldandstream

IMPORTANT SAFETY WARNINGS

**WE WANT YOU TO ASSEMBLE AND USE YOUR FEEDER AS SAFELY AS POSSIBLE.
THE PURPOSE OF THIS SAFETY ALERT SYMBOL 
IS TO ATTRACT YOUR ATTENTION TO POSSIBLE HAZARDS AS YOU ASSEMBLE AND USE YOUR FEEDER.
WHEN YOU SEE THE SAFETY ALERT SYMBOL, PAY CLOSE ATTENTION TO THE INFORMATION WHICH FOLLOWS!
 **READ ALL SAFETY WARNINGS AND INSTRUCTIONS CAREFULLY
BEFORE ASSEMBLING AND OPERATING YOUR FEEDER.****

WARNING

- This feeder must be mounted securely before filling the feeder.
- Refer to the drawings in this manual for visualization of the assembly process in addition to reading the instructions.
- Some parts may contain sharp edges. Wear appropriate clothing and gloves during assembly.
- Do not fill feeder under and/or during bad weather such as storms, snow, lightning, or thunderstorms. Failure to follow these instructions may result in serious injury or death.
- Do not fill feeder until it is completely assembled and mounted in place.
- Make sure hands and arms are out of the way of the feeder body when filling the feeder. Failure to follow these instructions may result in serious injury.
- BEFORE MOUNTING FEEDER, you must check all hardware to be sure it is in place and tightened.

IMPORTANT! The manufacturer of this feeder is not responsible for any inaccurate information you may have received regarding state feeding regulations. Please always keep your information up-to-date and reliable. Many state laws change and are amended without notice. Always double check your state and specific county feeding laws regarding the use of feeders.

- Contact your local or state wildlife agency if you have any questions concerning feeding wildlife.

USE CAUTION AND COMMON SENSE WHEN OPERATING YOUR FEEDER.

**FAILURE TO ADHERE TO SAFETY WARNINGS AND GUIDELINES IN THIS MANUAL COULD RESULT
IN BODILY INJURY OR PROPERTY DAMAGE.**

SAVE THIS MANUAL FOR FUTURE REFERENCE.

ASSEMBLY INSTRUCTIONS

⚠ READ ALL SAFETY WARNINGS & ASSEMBLY INSTRUCTIONS CAREFULLY BEFORE ASSEMBLING OR OPERATING YOUR FEEDER.

FOR MISSING PARTS, PLEASE CALL CUSTOMER SERVICE AT 855-735-9922.

Inspect contents of the box to ensure all parts are included and undamaged.

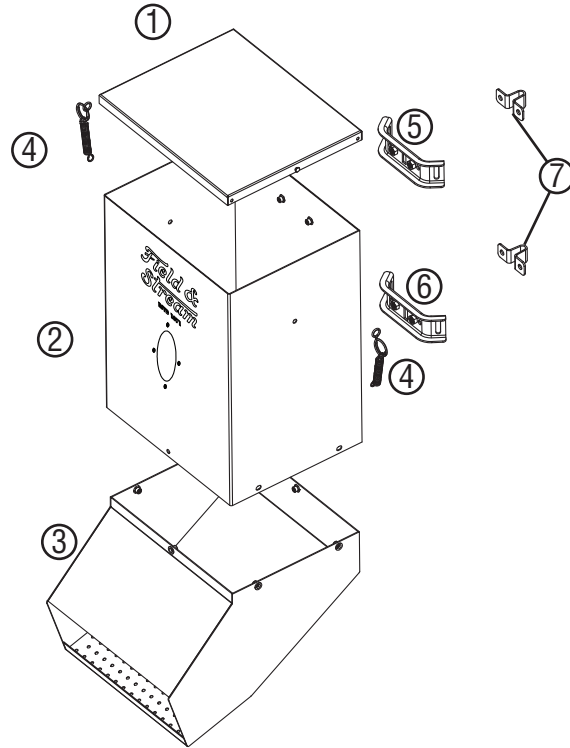
We recommend two people work together when assembling this unit.

The following tools are required (not included) to assemble this Hanging Feeder:

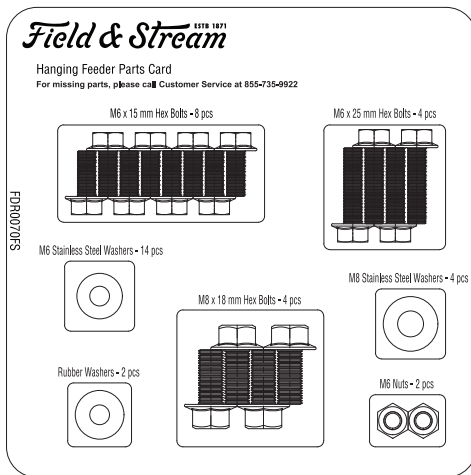
- Pliers
- Phillips & Flathead Screwdrivers
- Adjustable Wrench

Part Contents:

- | | |
|---|------------------|
| ① | 1 Lid |
| ② | 1 Upper Body |
| ③ | 1 Lower Body |
| ④ | 2 Spring Latches |
| ⑤ | 1 Upper Bracket |
| ⑥ | 1 Lower Bracket |
| ⑦ | 2 T-Post Clamps |



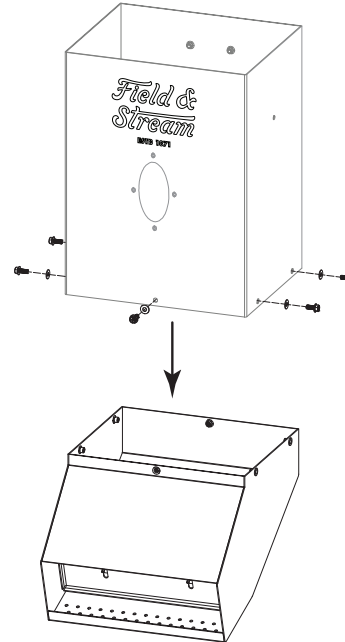
Component Pack Contents:



Choose a good, cleared assembly area and get a friend to help you put your feeder together. Lay cardboard down to protect feeder finish and assembly area.

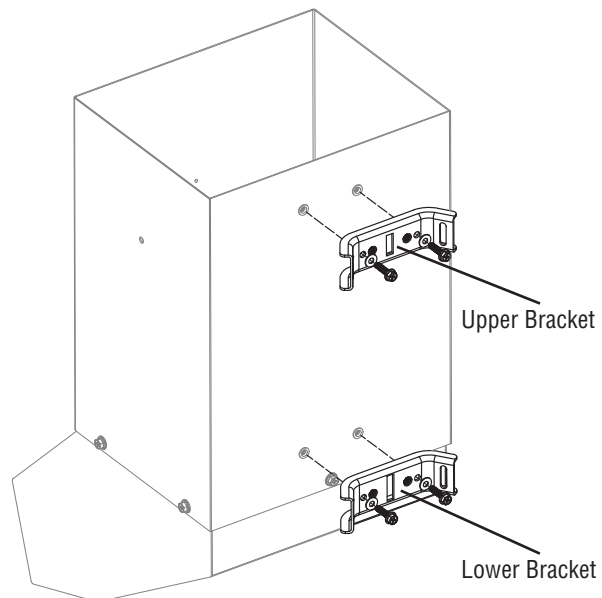
Step 1

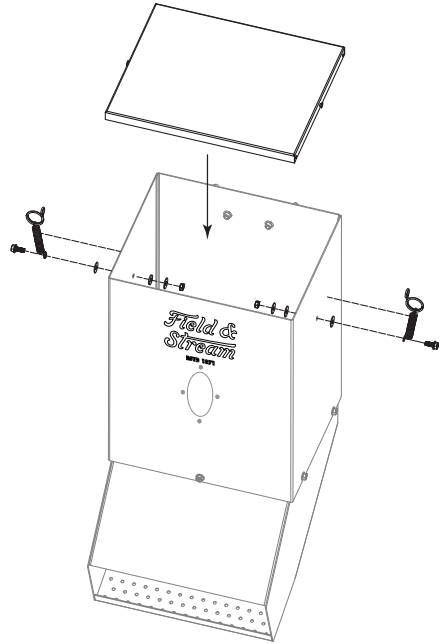
Attach upper body to lower body using six M6 x 15 mm hex bolts and M6 stainless steel washers.



Step 2

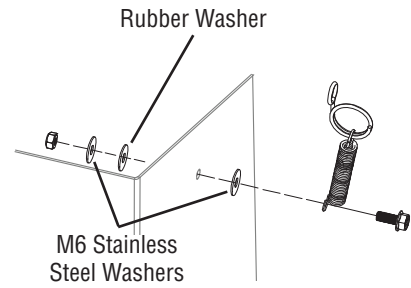
Attach upper and lower mounting brackets to feeder body using four M6 x 25 mm hex bolts and M6 stainless steel washers.



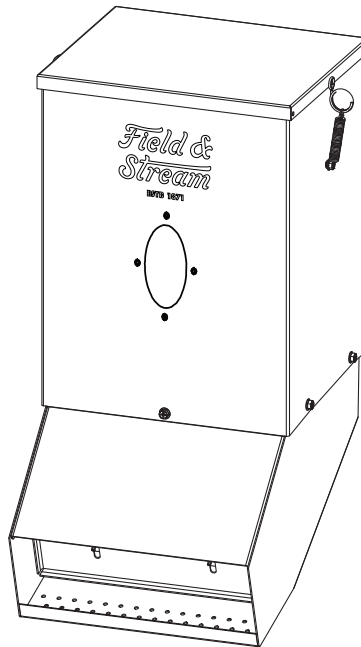


Step 3

Attach two spring latches to feeder body using two M6 x 15 mm hex bolts, rubber washers, four M6 stainless steel washers and two M6 nuts. Attach the lid and secure with spring latches.

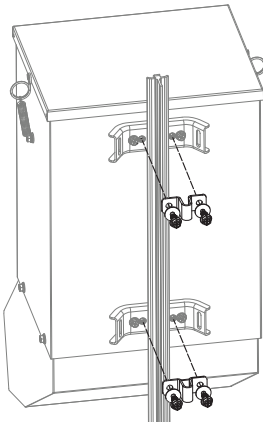


HANGING FEEDER ASSEMBLED



MOUNTING YOUR HANGING FEEDER

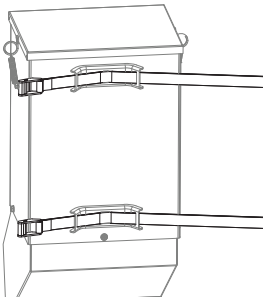
Mounting on T-Post



1. Align notches in T-Post with slots on upper and lower mounting brackets.
2. Secure feeder to T-Post with T-Post clamps using four M8 x 18 mm hex bolts and M8 stainless steel washers.

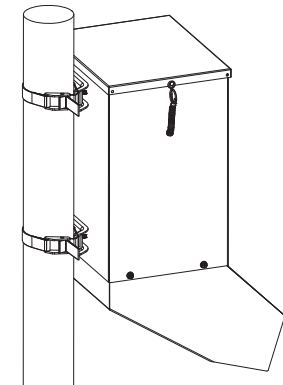
Note: The proper distance between the ground and the feeder spout should be between 30 to 36 inches.

Mounting on Tree or Post



1. Insert straps through eyelet on upper and lower mounting brackets.
2. Wrap straps around post/tree and secure loose end of strap using buckle.

Note: The proper distance between the ground and the feeder spout should be between 30 to 36 inches.



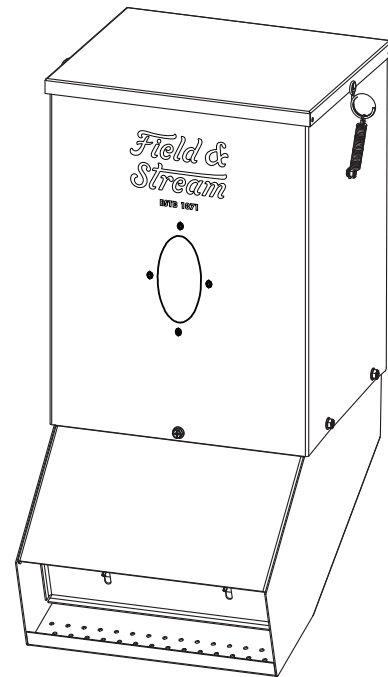
OPERATING INSTRUCTIONS

**⚠ READ ALL SAFETY WARNINGS AND INSTRUCTIONS CAREFULLY
BEFORE OPERATING YOUR FEEDER.**

- Remove lid and pour feed into hanging feeder interior.
 - After filling, replace lid and secure with spring latches.
 - Adjust the rate of feed by adjusting the feed gate using the two wing nuts.
-
- Inspect feeder for any loose parts or hardware.
 - If rust appears on the exterior surface of the feeder, clean and buff the affected areas with a stiff bristle brush or steel wool. Then, touch-up the area with a good quality paint.
 - Always store excess feed indoors and check the quality of the feed before pouring it into feeder.

Loading Your Feeder

Proper Care & Maintenance



1-YEAR LIMITED WARRANTY

For 1-year from date of purchase, Fair Game Group warrants the Hanging Feeder against defects due to workmanship or materials to the original purchaser.

Fair Game Group's obligations under this warranty are limited to the following guidelines:

- This warranty does not cover feeders that have been altered/modified or damaged due to: normal wear, rust, abuse, improper maintenance and/or improper use.
- This warranty does not cover surface scratches or sun damage to the finish, which is considered normal wear.
- Fair Game Group may elect to repair or replace damaged units covered by the terms of this warranty.
- This warranty extends to the original purchaser only and is not transferable or assignable to subsequent purchasers.

Fair Game Group requires reasonable proof of purchase. Therefore, we strongly recommend that you retain your sales receipt or invoice. To obtain replacement parts for your Hanging Feeder under the terms of this warranty, please call Customer Service Department at help@fairgameus.com or 855-735-9922 for further instructions. **A receipt or proof of purchase will be required.** Fair Game Group will not be responsible for any feeders forwarded to us without prior authorization.

EXCEPT AS ABOVE STATED, FAIR GAME GROUP MAKES NO OTHER EXPRESS WARRANTY.

THE IMPLIED WARRANTIES OF MERCHANTABILITY AND FITNESS FOR A PARTICULAR PURPOSE ARE LIMITED IN DURATION TO 1-YEAR FROM THE DATE OF PURCHASE. SOME STATES DO NOT ALLOW LIMITATIONS ON HOW LONG AN IMPLIED WARRANTY LASTS, SO THE ABOVE LIMITATION MAY NOT APPLY TO YOU.

ANY LIABILITY FOR INDIRECT, INCIDENTAL OR CONSEQUENTIAL DAMAGES ARISING FROM THE FAILURE OF THE Hanging FEEDER TO COMPLY WITH THIS WARRANTY OR ANY IMPLIED WARRANTY IS EXCLUDED. CUSTOMER ACKNOWLEDGES THAT THE PURCHASE PRICE CHARGED IS BASED UPON THE LIMITATIONS CONTAINED IN THE WARRANTY SET OUT ABOVE. SOME STATES DO NOT ALLOW THE EXCLUSION OR LIMITATION OF INCIDENTAL OR CONSEQUENTIAL DAMAGES, SO THE ABOVE LIMITATION OR EXCLUSION MAY NOT APPLY TO YOU. THIS WARRANTY GIVES YOU SPECIFIC LEGAL RIGHTS, AND YOU MAY ALSO HAVE OTHER RIGHTS WHICH VARY FROM STATE TO STATE.

OM0070FS
0225

©2025 Fair Game Group LLC.
Carrollton, Texas 75006 U.S.A.
www.fairgameus.com

Owner's Manual for Model
FDR0070FS