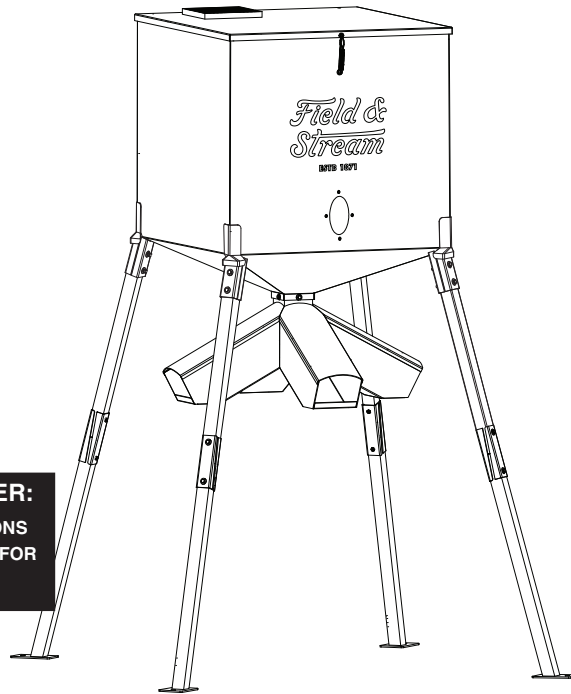


Field & Stream ESTB 1871

**PROTEIN FEEDER
OWNER'S MANUAL
ASSEMBLY AND OPERATING INSTRUCTIONS**

SAVE THIS MANUAL FOR FUTURE REFERENCE

Models FDRP600FS



NOTICE TO INSTALLER:
LEAVE THESE INSTRUCTIONS
WITH THE FEEDER OWNER FOR
FUTURE REFERENCE.

Customer Service: help@fairgameus.com or 1-855-735-9922
For replacement parts or feeder accessories, please visit us at www.fairgameus.com/fieldandstream

IMPORTANT SAFETY WARNINGS

WE WANT YOU TO ASSEMBLE AND USE YOUR FEEDER AS SAFELY AS POSSIBLE.

THE PURPOSE OF THIS SAFETY ALERT SYMBOL  IS

TO ATTRACT YOUR ATTENTION TO POSSIBLE HAZARDS AS YOU ASSEMBLE AND USE YOUR FEEDER.

WHEN YOU SEE THE SAFETY ALERT SYMBOL, PAY CLOSE ATTENTION TO THE INFORMATION WHICH FOLLOWS!

 READ ALL SAFETY WARNINGS AND INSTRUCTIONS CAREFULLY

BEFORE ASSEMBLING AND OPERATING YOUR FEEDER.

WARNING

- You should never attempt to assemble this feeder alone. We recommend having a minimum of at least two adults for the assembly of this feeder. Failure to follow these instructions may result in serious injury or death.
- This feeder must be placed on firm and level ground. Before filling the feeder, we recommend installing ground stakes (not included) through the holes located in the feet.
- Refer to the drawings in this manual for visualization of the assembly process in addition to reading the instructions.
- Some parts may contain sharp edges. Wear appropriate clothing and gloves during assembly.
- Do not fill feeder under and/or during bad weather such as storms, snow, lightning, or thunderstorms. Failure to follow these instructions may result in serious injury or death.
- Do not sit or stand on or inside the hopper.
- Do not fill feeder until it is completely assembled and standing up in place.
- Make sure hands and arms are out of the way of the feeder body and lid when filling the feeder. Failure to follow these instructions may result in serious injury.
- BEFORE STANDING UP THE FEEDER, you must check all hardware to be sure it is in place and tightened.

IMPORTANT! The manufacturer of this feeder is not responsible for any inaccurate information you may have received regarding state feeding regulations. Please always keep your information up-to-date and reliable. Many state laws change and are amended without notice. Always double check your state and specific county feeding laws regarding the use of feeders.

- Ensure no body parts are exposed to the sliding plate.

DANGER: This device has ample power to sever fingers if proper precautions are not taken to ensure safety.

- Contact your local or state wildlife agency if you have any questions concerning feeding wildlife.

USE CAUTION AND COMMON SENSE WHEN OPERATING YOUR FEEDER.

FAILURE TO ADHERE TO SAFETY WARNINGS AND GUIDELINES IN THIS MANUAL COULD RESULT IN BODILY INJURY OR PROPERTY DAMAGE.

SAVE THIS MANUAL FOR FUTURE REFERENCE.

ASSEMBLY INSTRUCTIONS

⚠ READ ALL SAFETY WARNINGS & ASSEMBLY INSTRUCTIONS CAREFULLY BEFORE ASSEMBLING OR OPERATING YOUR FEEDER.

FOR MISSING PARTS, PLEASE CALL CUSTOMER SERVICE AT 855-735-9922 OR EMAIL US AT HELP@FAIRGAMEUS.COM

Inspect contents of the box to ensure all parts are included and undamaged.

We recommend two people work together when assembling this unit.

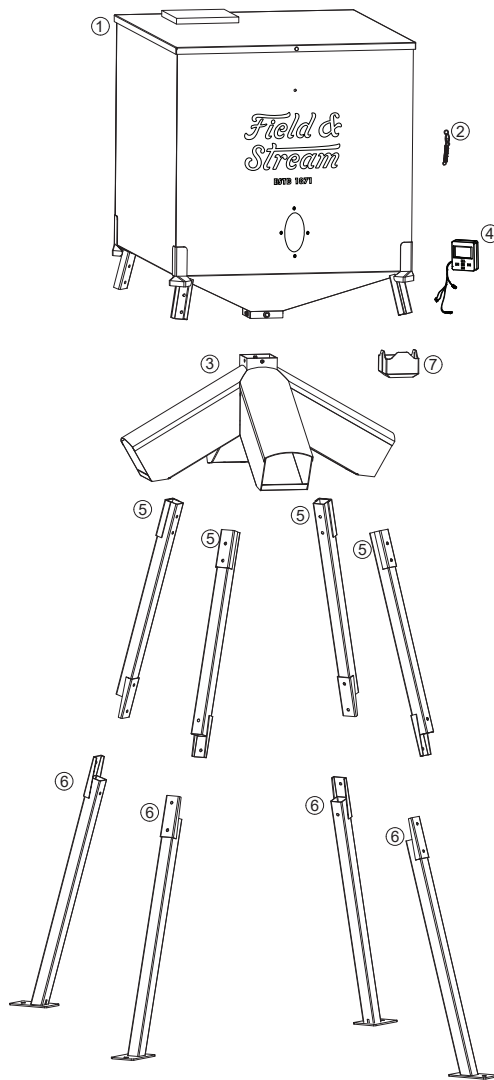
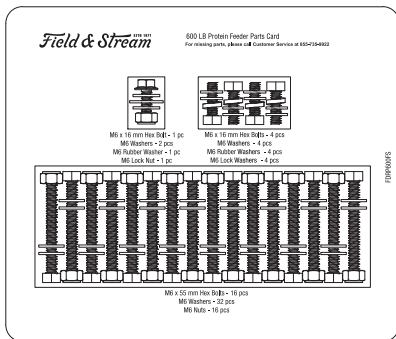
The following tools are required (not included) to assemble this Protein Feeder:

- Pliers
- Phillips & Flathead Screwdrivers
- Adjustable Wrench

Part Contents:

- ① 1 Hopper
- ② 1 Spring Latch
- ③ 1 Feeding Tube
- ④ 1 Timer
- ⑤ 4 Upper Legs
- ⑥ 4 Lower Legs
- ⑦ 1 Adjustable Collar

Component Pack Contents:

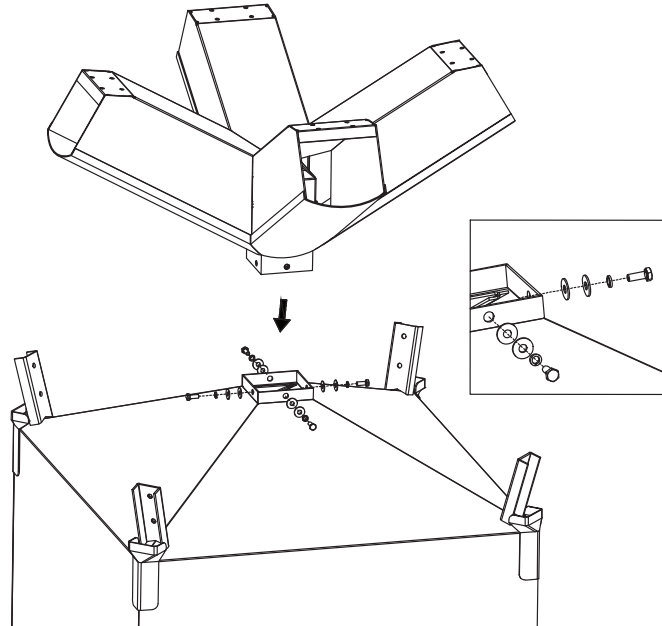


Choose a good, cleared assembly area and get a friend to help you put your feeder together. Lay cardboard down to protect feeder finish and assembly area.

Step 1

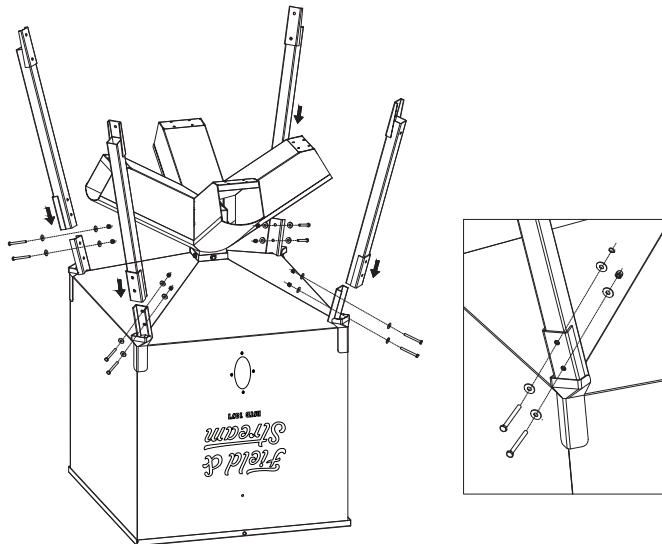
Lay hopper on its lid and attach feeding tube to bottom of hopper using four M6 x 16 mm hex bolts, M6 lock washers, M6 washers and M6 rubber washers.

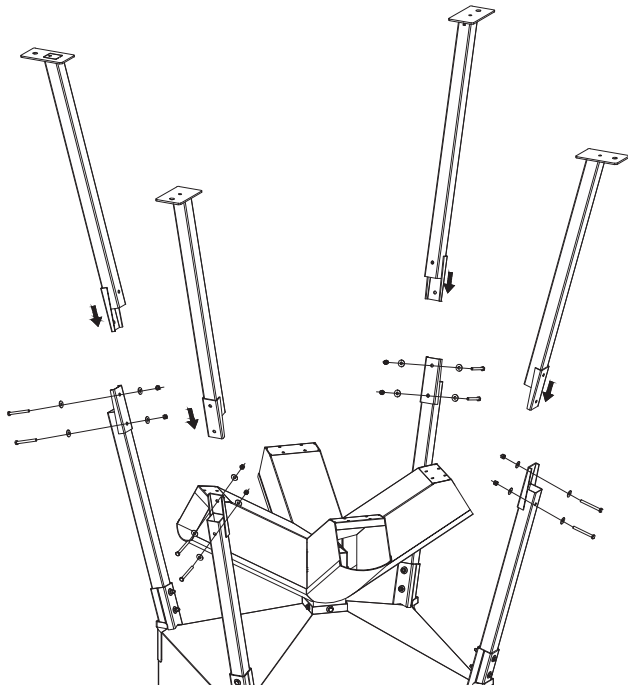
Note: Take extra care to protect solar panel when laying hopper on lid.



Step 2

Attach upper legs to bottom of hopper using eight M6 x 55 mm hex bolts, sixteen M6 washers and eight M6 lock nuts.



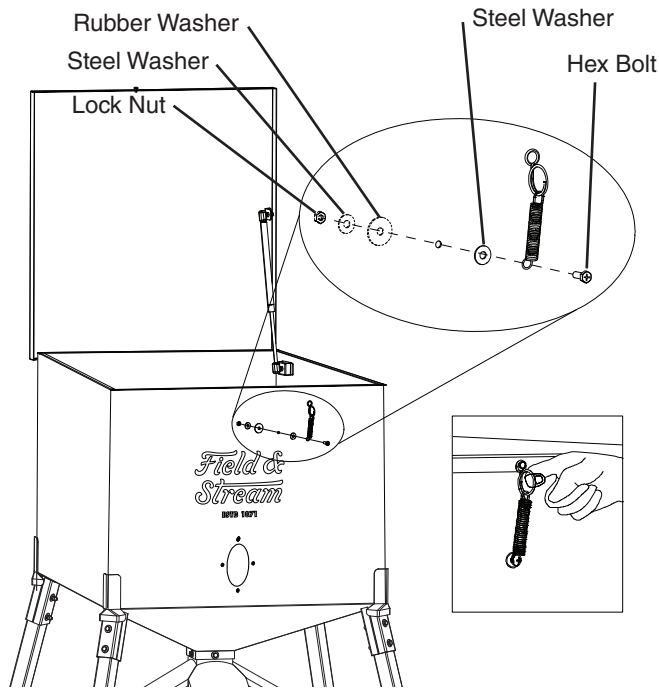


Step 3

Attach lower legs to ends of upper legs using eight M6 x 55 mm hex bolts, sixteen M6 washers and eight M6 lock nuts.

Note: Make sure all hardware has been tightened.

Carefully set feeder upright.



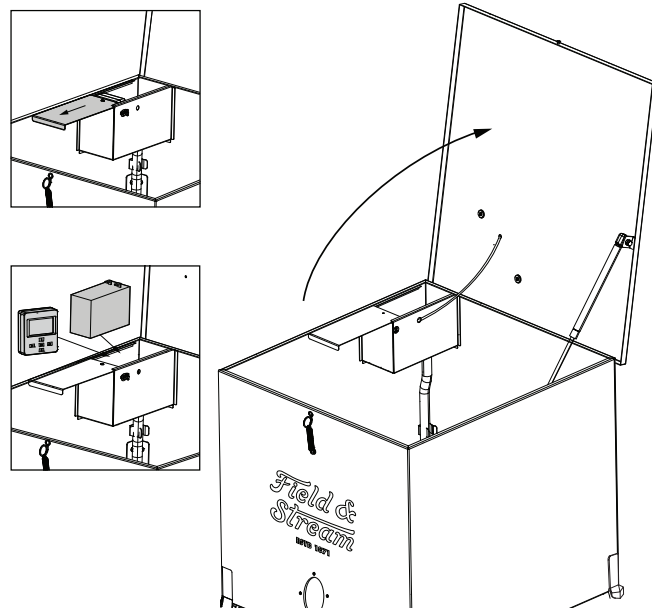
Step 4

Attach spring latch to front of hopper using one M6 x 16 mm flange bolt, M6 washer (outside hopper) and one M6 rubber washer, M6 washer and M6 lock nut (inside hopper).

Secure lid with spring latch.

Step 5

Slide component cover back and insert 12 volt battery (not included) and timer.



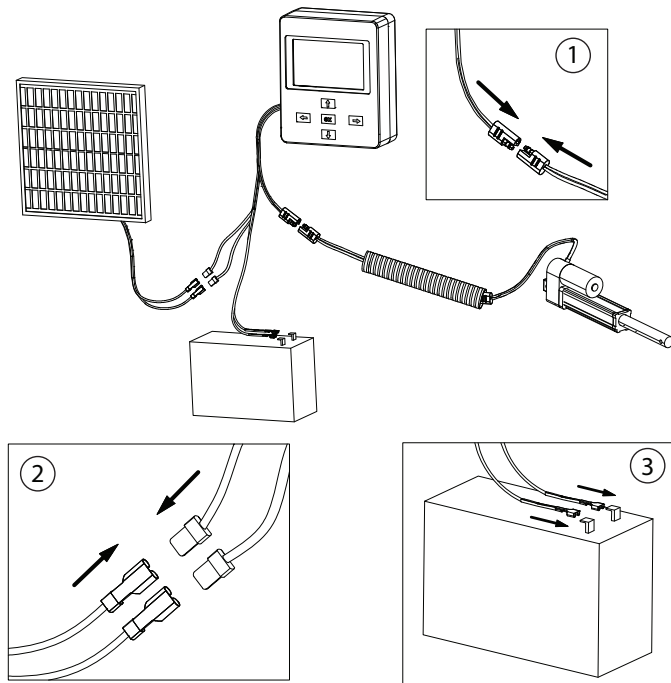
Step 6

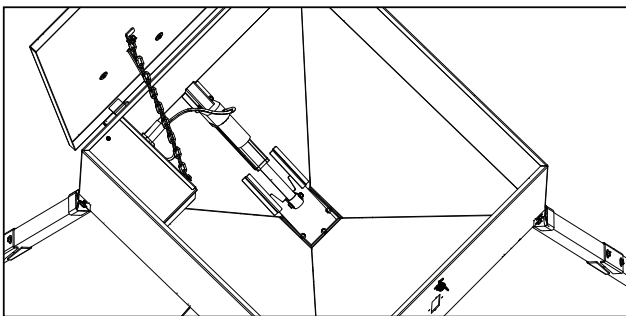
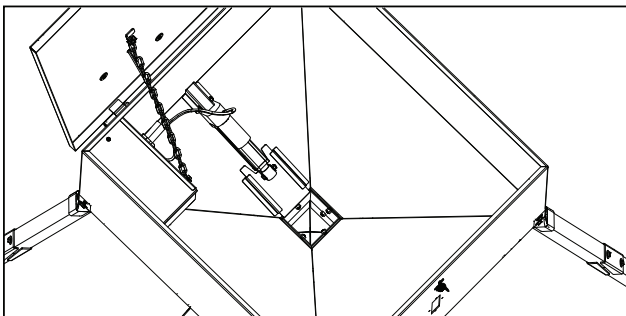
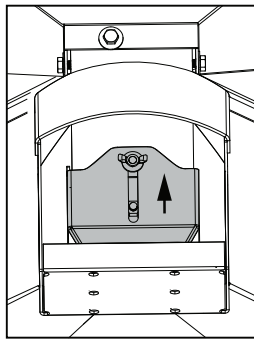
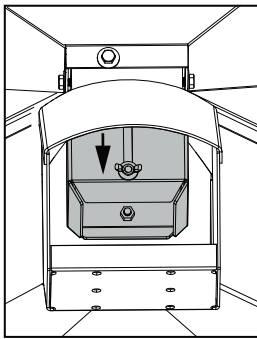
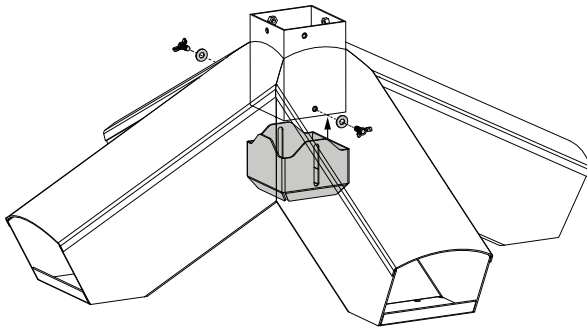
Connect timer wiring to motor wiring. Figure 1.

Attach solar panel red connector from timer to red connector from solar panel. Then attach solar panel black connector from timer to black connector from solar panel. Figure 2.

Attach battery red connector to positive (+) terminal on battery and attach battery black connector to negative (-) terminal on battery. Figure 3.

Note: A test wire is included with your product for troubleshooting purposes only. DO NOT attach the test wire during this time. Please follow the TROUBLESHOOTING INSTRUCTIONS for the test wire.





Step 7

If feeding with corn, install adjustable collar inside feeding tube using two pre-installed wing bolts and washers. Adjust collar up or down for proper amount of feed.

Step 8

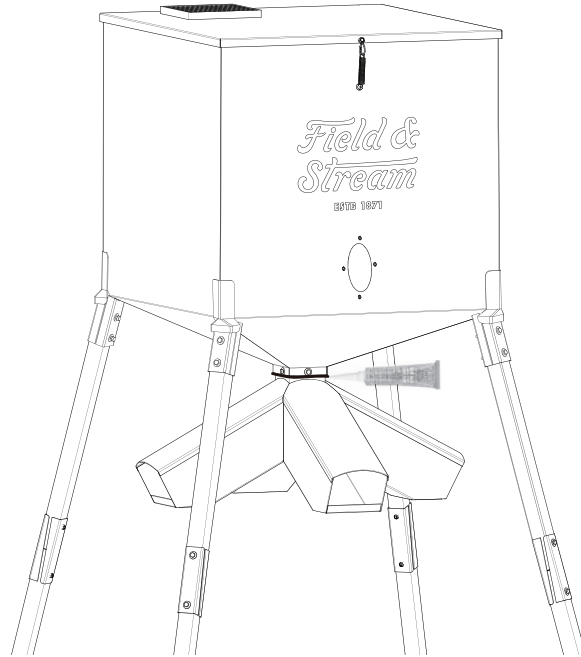
Use the TEST button to open and close actuator. The timer screen will show CLOSED any time a battery is replaced. Press the TEST button to sync timer with actuator. After pressing TEST, the actuator will always finish in the closed position.

Step 9

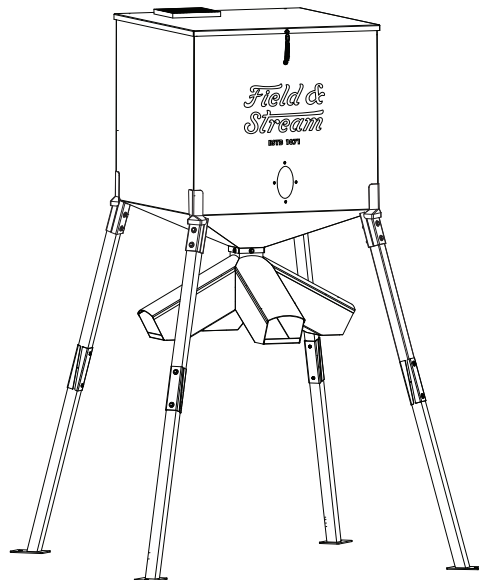
For an extra measure of weatherproofing, after the unit has been completely assembled we recommend using the included silicone to seal around the feeder tube assembly connection to the hopper. Allow 24 hours for silicone to completely cure.

Note: Silicone sealant has a foil sticker and plug under cap that needs to be removed before use.

Silicone sealant may cause skin, eye or respiratory irritation and harm if ingested. Wear gloves and work in a well ventilated area. See tube of silicone for proper instructions.



PROTEIN FEEDER ASSEMBLED



OPERATING INSTRUCTIONS

- ⚠️ **PLACE THE FEEDER OUTDOORS ON A HARD, LEVEL SURFACE IN AN AREA THAT IS PROTECTED FROM THE WIND.**
- ⚠️ **READ ALL SAFETY WARNINGS AND INSTRUCTIONS CAREFULLY BEFORE OPERATING YOUR FEEDER.**

Instructions

Loading Your Feeder:

- Open the lid and pour feed into the hopper. After filling, carefully close the lid and secure the latch.
- What kind of feed to use – pelleted protein is recommended. Corn, corn mixed with soybeans, pelleted feed, and milo are also effective for attracting deer and other wildlife.

Note: When not mixed with corn, some types of pelleted feed can take on moisture and clog the feeder.

Battery Installation:

- Slide the door open and install a 12 volt lead-acid battery (not included). The red clip goes to the positive (+) terminal and the black clip goes to the negative (-) terminal.

Free Choice

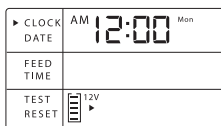
- Hit “Test” to allow the actuator to open, once opened you can disconnect the timer from the battery and feed Free Choice.

Timer Operation:

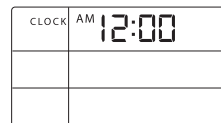
- Attach timer to a fully charged 12 volt lead-acid battery. Attach red wire labeled “BATTERY+POSITIVE” to positive (+) terminal and black wire labeled “BATTERY-NEGATIVE” to negative (-) terminal. Make sure motor wiring is attached to motor and solar panel wiring is attached to solar panel.
- Below is the timer screen normal view. If no buttons are pressed the screen will automatically return to the normal view after 10 seconds.



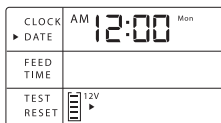
- **To Set Clock** – Press **OK** once, and the programing arrow and names will be shown:



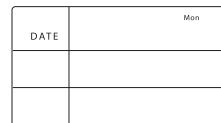
- Press **OK** again and use the up and down arrows to set the hour and minutes. Press **OK** to confirm each setting.



- **To Set Day of the Week** – Press **OK** once, then press the down arrow until the programing arrow aligns with DATE.



- Press **OK** again and use the arrow buttons to select the day of the week. Press **OK** to confirm the selection.



- **To Set Feed Time** – Press **OK** once, then press the down arrow until the programing arrow aligns with FEED TIME.

CLOCK DATE	AM 12:00 Mon
▶ FEED TIME	
TEST RESET	12V



- Press **OK** again then using the left and right arrows to select a feed time (1-6) to program. Set the hour and minute you want the feeder to OPEN. Set the hour and minute you want the feeder to CLOSED. Set the days of the week you want feeder to activate (Everyday, Mon-Fri, or Fri-Sun). Press **OK** to confirm each selection.

- **To Test Feeder** – Press **OK** once, then press the down arrow until the programing arrow aligns with TEST.

CLOCK DATE	AM 12:00 Mon
▶ FEED TIME	
▶ TEST RESET	12V



- Press **OK** again, the timer will countdown 5 seconds then open the feed gate for 15 seconds then close the feed gate automatically.

- **To Reset Timer** – Press **OK** once, then press the down arrow until the programing arrow aligns with RESET.

CLOCK DATE	AM 12:00 Mon
▶ FEED TIME	
▶ TEST RESET	12V



▶ CLOCK DATE	AM 12:00 Mon	Tues	
▶ DATE	PM 18:88	Wed	Thurs
▶ FEED TIME	1 2 3 4 5 6	Everyday	Mon - Fri
▶ TEST RESET	12V 6V	CLOSED	OPEN SEC 88

- Hold **OK** down for a couple of seconds to allow timer to reset. This will allow timer to go back to factory setting and erase all previously set programs.

- This timer is equipped with a charging controller to help prolong the battery life and prevent it from being overcharged by the solar panel. The timer will show a lightning bolt icon ⚡ on the screen next to the battery indicator anytime the solar panel is charging the battery.

Proper Care & Maintenance

- Inspect feeder for any loose parts or hardware.
- If rust appears on the exterior surface of the feeder, clean and buff the affected areas with a stiff bristle brush or steel wool. Then, touch-up the area with a good quality paint.
- Always store excess feed indoors and check the quality of the feed before pouring it into feeder.
- Check the feeder periodically to see if water is getting inside on rainy days. Use silicone sealant on gaps if necessary.
- Clean feeder hopper regularly to avoid clogging and damaging the spinner assembly.
- Install ground stakes (not included) through holes located in the feet.

Troubleshooting

- **Check the Battery** - The battery level shows on the timer display. If the battery level is showing 3 bars or less, it needs to be replaced or recharged. You can also use a volt meter to check the voltage (12.7-14 Volts for a fully charged battery).
- **Check the Solar Panel** - Disconnect solar panel wires from battery before testing. Using a volt meter, ensure the solar panel is reading between 15-22 volts DC when in full direct sunlight.
- If your battery, solar panel and motor are all working properly the issue will be the timer. A replacement timer can be obtained by contacting customer service at help@fairgameus.com or 1-855-735-9922.

Supplier's Declaration of Conformity
47 CFR § 2.1077 Compliance Information

Unique Identifier: Model Number#: FDRP600FS

Responsible Party - U.S. Contact Information

Fair Game LLC
3204 Skylane Dr.
Carrollton, TX 75006
972-735-9922

FCC Compliance Statement

This device complies with Part 15 of the FCC Rules. Operation is subject to the following two conditions:
(1) This device may not cause harmful interference, and (2) this device must accept any interference received, including interference that may cause undesired operation.

Note: This equipment has been tested and found to comply with the limits for a Class B digital device, pursuant to part 15 of the FCC Rules. These limits are designed to provide reasonable protection against harmful interference in a residential installation. This equipment generates, uses and can radiate radio frequency energy and, if not installed and used in accordance with the instructions, may cause harmful interference to radio communications. However, there is no guarantee that interference will not occur in a particular installation. If this equipment does cause harmful interference to radio or television reception, which can be determined by turning the equipment off and on, the user is encouraged to try to correct the interference by one or more of the following measures:

- Reorient or relocate the receiving antenna.
- Increase the separation between the equipment and receiver.

Connect the equipment into an outlet on a circuit different from that to which the receiver is connected. Consult the dealer or an experienced radio/TV technician for help.

Warning: Any changes or modifications to this unit not expressly approved by the party responsible for compliance could void the user's authority to operate the equipment.

1-YEAR LIMITED WARRANTY

For 1-year from date of purchase, Fair Game Group warrants the Protein Feeder against defects due to workmanship or materials to the original purchaser.

Fair Game Group's obligations under this warranty are limited to the following guidelines:

- This warranty does not cover feeders that have been altered/modified or damaged due to: normal wear, rust, abuse, improper maintenance and/or improper use.
- This warranty does not cover surface scratches or sun damage to the finish, which is considered normal wear.
- Fair Game Group may elect to repair or replace damaged units covered by the terms of this warranty.
- This warranty extends to the original purchaser only and is not transferable or assignable to subsequent purchasers.

Fair Game Group requires reasonable proof of purchase. Therefore, we strongly recommend that you retain your sales receipt or invoice. To obtain replacement parts for your Protein Feeder under the terms of this warranty, please call Customer Service Department at help@fairgameus.com or 855-735-9922 for further instructions. **A receipt or proof of purchase will be required.** Fair Game Group will not be responsible for any feeders forwarded to us without prior authorization.

EXCEPT AS ABOVE STATED, FAIR GAME GROUP MAKES NO OTHER EXPRESS WARRANTY.

THE IMPLIED WARRANTIES OF MERCHANTABILITY AND FITNESS FOR A PARTICULAR PURPOSE ARE LIMITED IN DURATION TO 1-YEAR FROM THE DATE OF PURCHASE. SOME STATES DO NOT ALLOW LIMITATIONS ON HOW LONG AN IMPLIED WARRANTY LASTS, SO THE ABOVE LIMITATION MAY NOT APPLY TO YOU.

ANY LIABILITY FOR INDIRECT, INCIDENTAL OR CONSEQUENTIAL DAMAGES ARISING FROM THE FAILURE OF THE PROTEIN FEEDER TO COMPLY WITH THIS WARRANTY OR ANY IMPLIED WARRANTY IS EXCLUDED. CUSTOMER ACKNOWLEDGES THAT THE PURCHASE PRICE CHARGED IS BASED UPON THE LIMITATIONS CONTAINED IN THE WARRANTY SET OUT ABOVE. SOME STATES DO NOT ALLOW THE EXCLUSION OR LIMITATION OF INCIDENTAL OR CONSEQUENTIAL DAMAGES, SO THE ABOVE LIMITATION OR EXCLUSION MAY NOT APPLY TO YOU. THIS WARRANTY GIVES YOU SPECIFIC LEGAL RIGHTS, AND YOU MAY ALSO HAVE OTHER RIGHTS WHICH VARY FROM STATE TO STATE.

OMP600FS
0225

©2025 Fair Game Group LLC.
Carrollton, Texas 75006 U.S.A.
www.fairgameus.com

Owner's Manual for Models
FDRP600FS