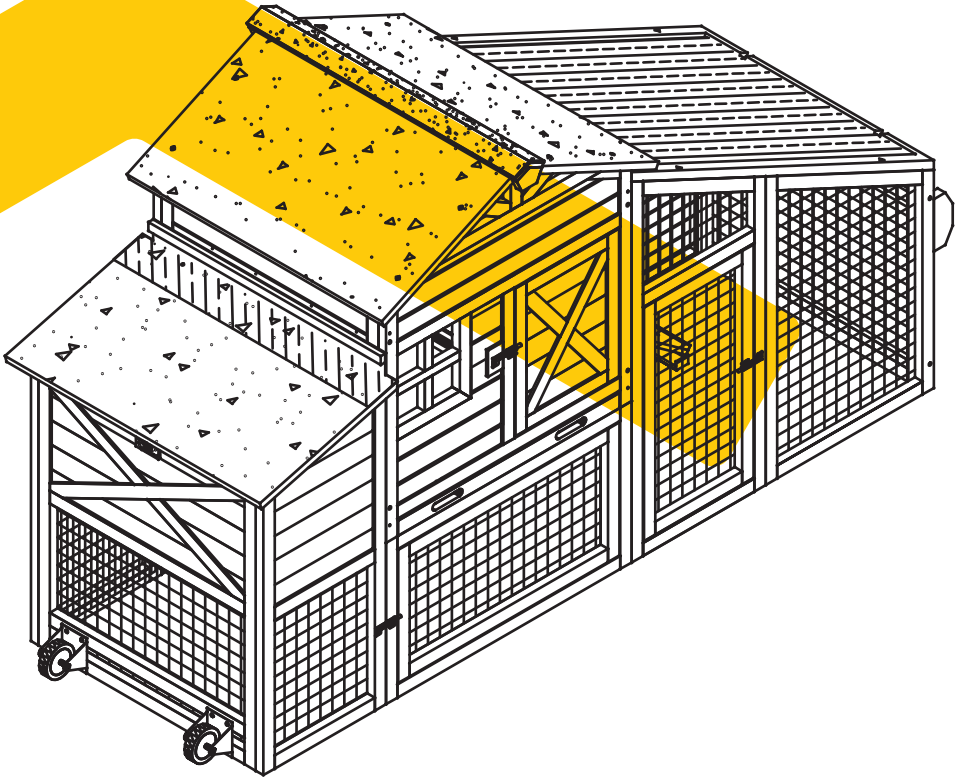


INSTRUCTION MANUAL

AIR 32-D





NOTICE

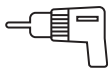
Please retain these instructions for future reference.

- Firmly secure all bolts,screws and knobs before use.
- Reconfirm that all bolts,screws,and knobs are secure every 90 days.
- Fasten screws loosely during initial assembly. Do not fully tighten screws until the item is completely assembled.
- Do not use or store this item in the proximity of open flame or flammable/combustible chemicals.
- Be aware that some parts are heavy and have sharp edges.
- Be aware that moving parts can injure,crush and cut.
- If any parts are missing,broken,damaged,or worn,stop using this product until repairs are made and/or factory replacement parts are installed.
- Do not use this item in a way inconsistent with the manufacturer's instructions as this could void the product warranty.

TOOLS REQUIRED //



PHILLIPS
SCREWDRIVER



DRILL
(RECOMMENDED)



2PERSON
ASSEMBLY



APPROXIMATELY
45MIN. ASSEMBLY

HARDWARE //

M3.5x50mm SCREW
14PCS+1spare



P1

M3.5x40mm SCREW
20PCS+1spare



P2

M3.5x35mm SCREW
10PCS+1spare



P3

M3.5x25mm SCREW
7PCS+1spare



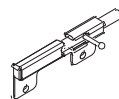
P4

M3.0x16mm SCREW
16PCS+1spare



P5

Spring latch
3PCS



P6

M3.5x60mm SCREW
4PCS+1spare



P7

M6.0x30mm BOLT
8PCS+1spare



P8

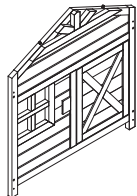
M4.0x30mm BOLT
2PCS+1spare



P9

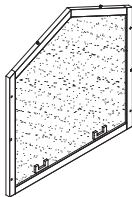
PARTS

Front panel of coop
1PC



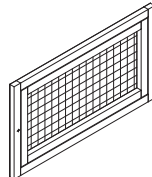
A

Back panel of coop
1PC



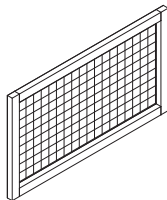
B

Front wire panel of coop
1PC



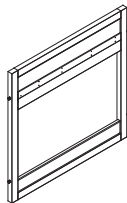
C

Back wire panel of coop
1PC



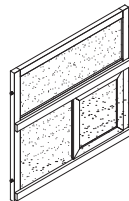
D

Left panel of coop
1PC



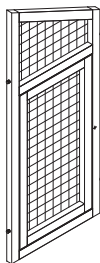
E

Right panel of coop
1PC



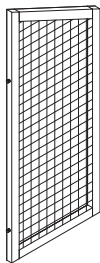
F

Front panel of pen
1PC



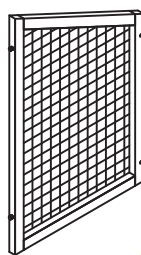
G

Back panel of pen
1PC



H

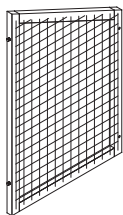
Front panel of pen
1PC



G1

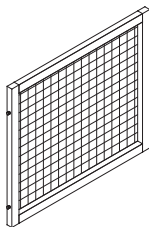
PARTS

Back panel of pen
1PC



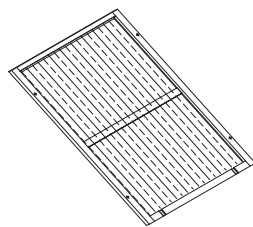
H1

Side panel of pen
1PC



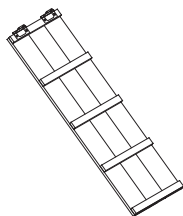
I

Pen roof
1PC



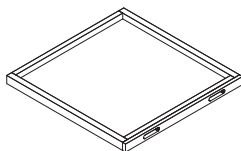
J

Ramp
1PC



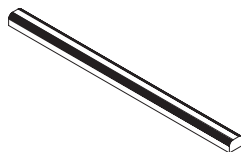
K

Tray
1PC



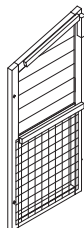
L

Perch
2PCS



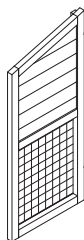
M

Back panel of nesting
1PC



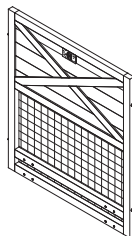
N

Front panel of nesting
1PC



O

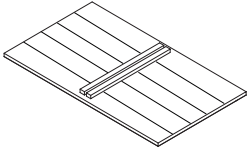
Side panel of nesting box
1PC



P

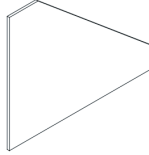
PARTS

Bottom floor
1PC



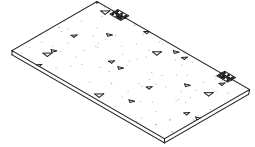
Q

Divider
1PC



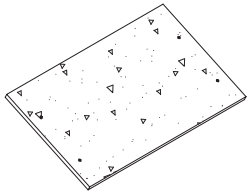
R

Nesting box roof
1PC



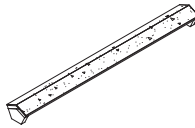
S

Coop roofs
2PCS



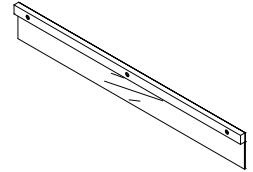
T

Cap
1PC



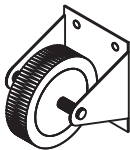
U

PVC Waterproof Strip
1PC



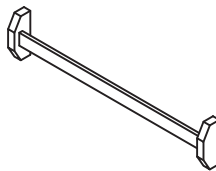
V

Casters
2PCS



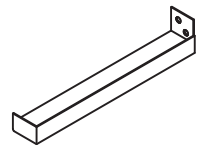
W

Push handle
1PC



X

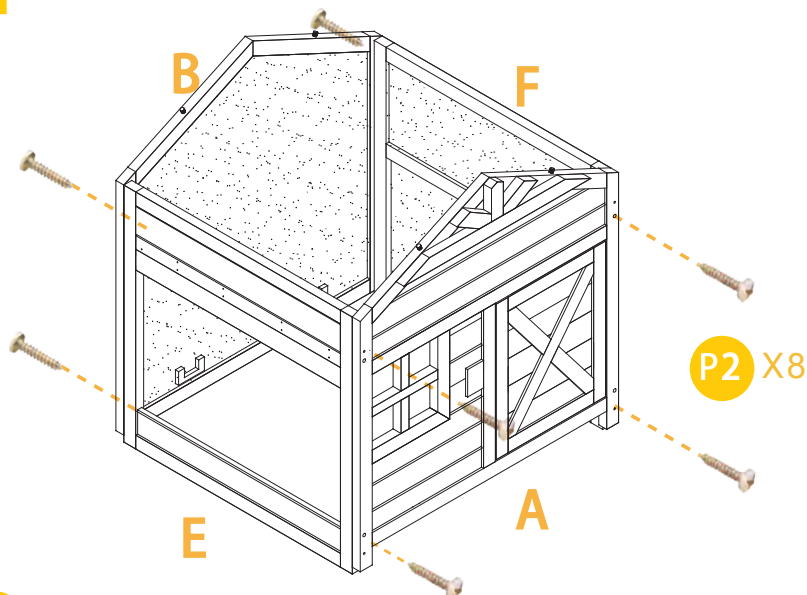
Metal ramp supporting
1PC



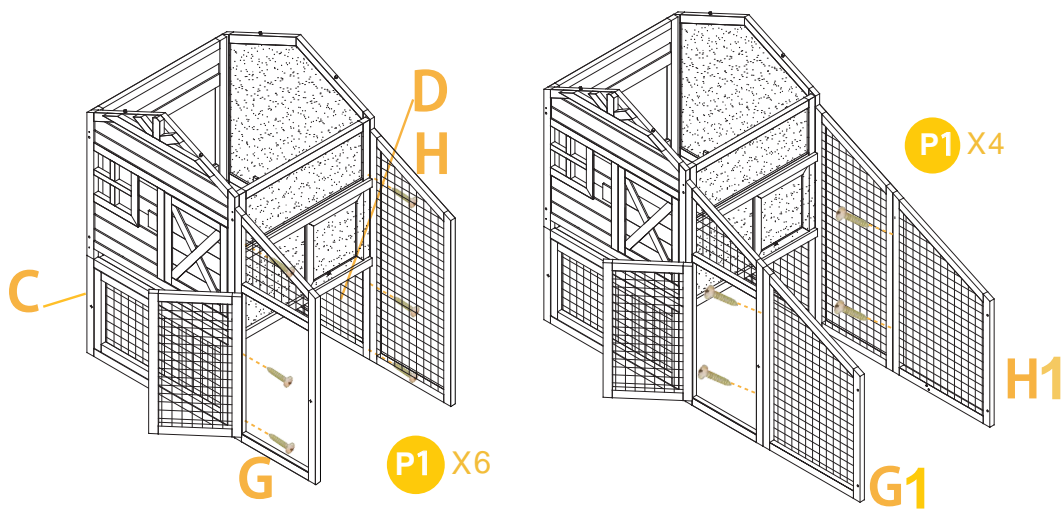
Y

PRODUCT ASSEMBLY

01 Attach the Part A , B , E, F by 8xP2 screws.



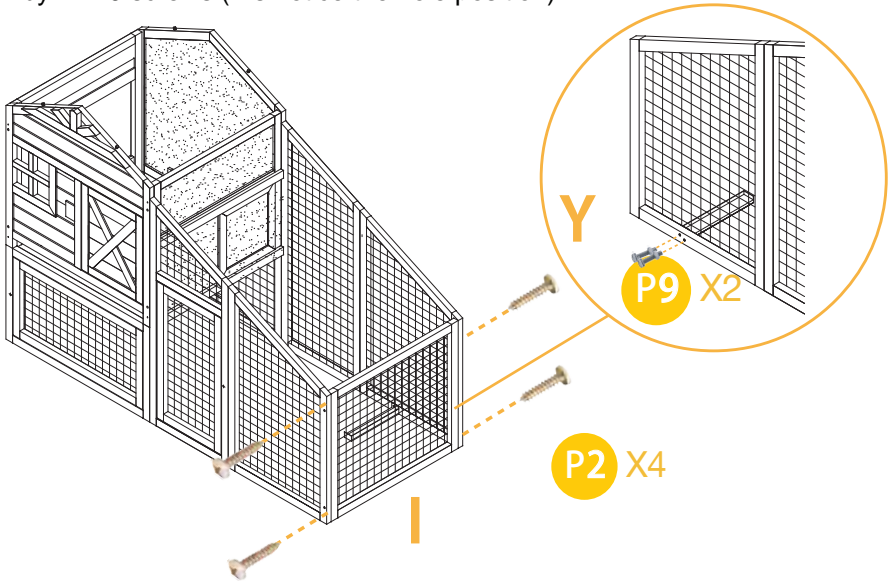
02 Attach the Part C,D,G,H by 6 X P1 screws.
Attach the Part G1,H1 by 4 X P1 screws.



PRODUCT ASSEMBLY

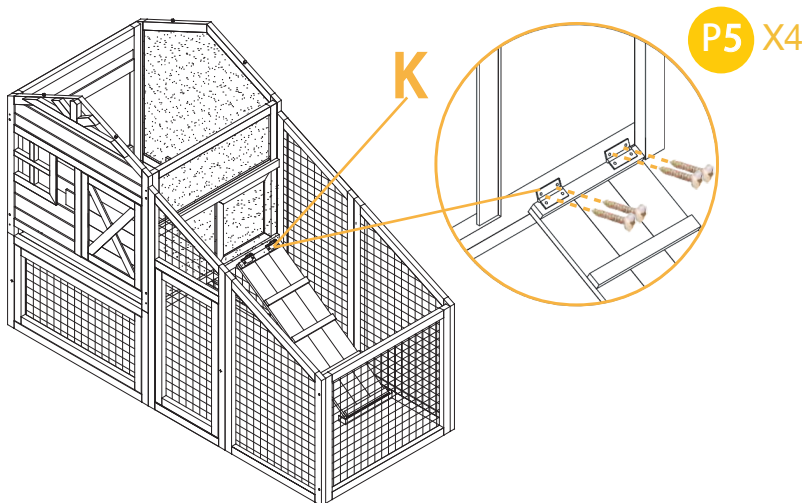
03

Attach the Part I to coop by 4xP2 screws.
Attach the ramp support Part Y to the bottom edge of back panel by 2XP9 screws.(Pls notice the hole position)



04

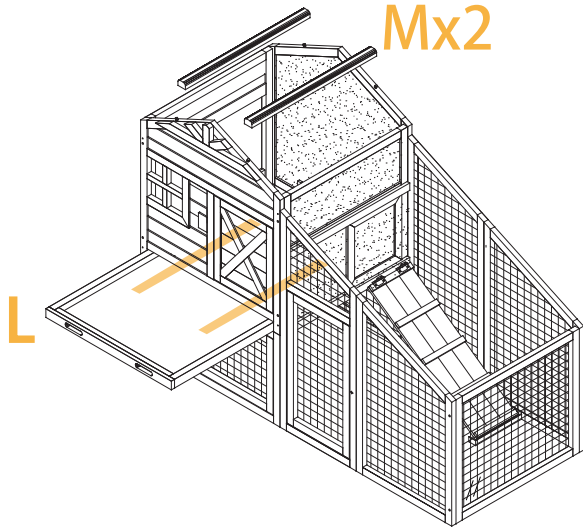
Screw the ramp Part K to the Part F by 4xP5 screws.



PRODUCT ASSEMBLY

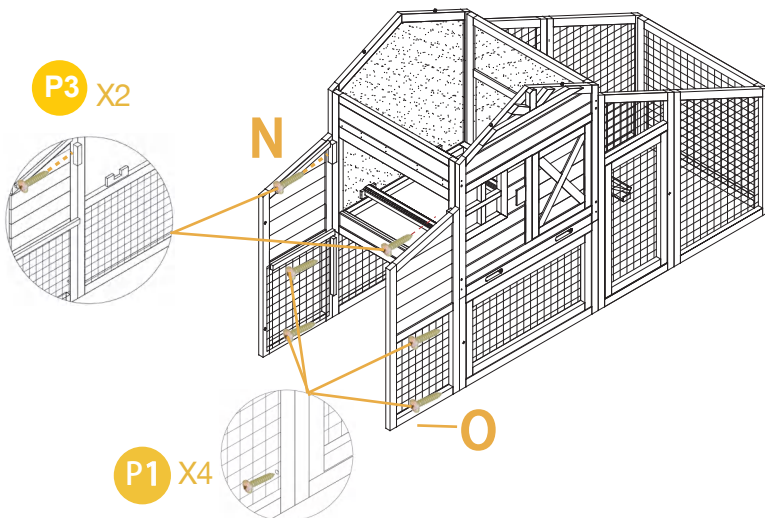
05

Insert 2PCS perches Part M into the slots inside the front and back panel.
Slide in tray Part L.



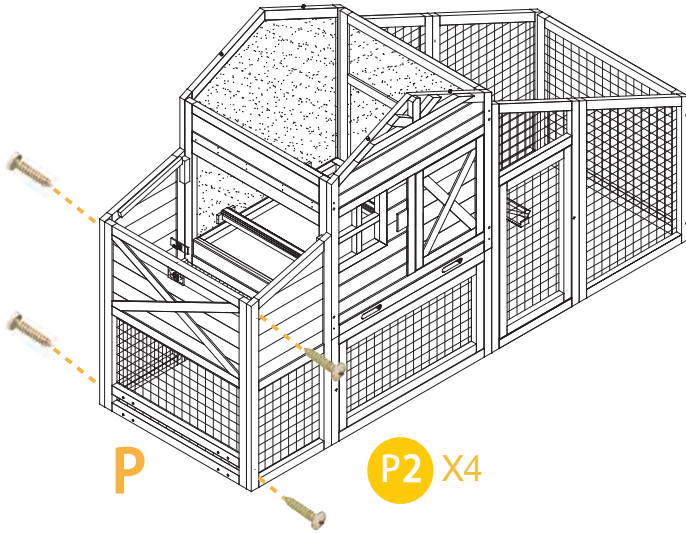
06

Attach the Part N and Part O to the coop by 2xP3 screws on the wood Part and 4xP1 screws on the wire part.

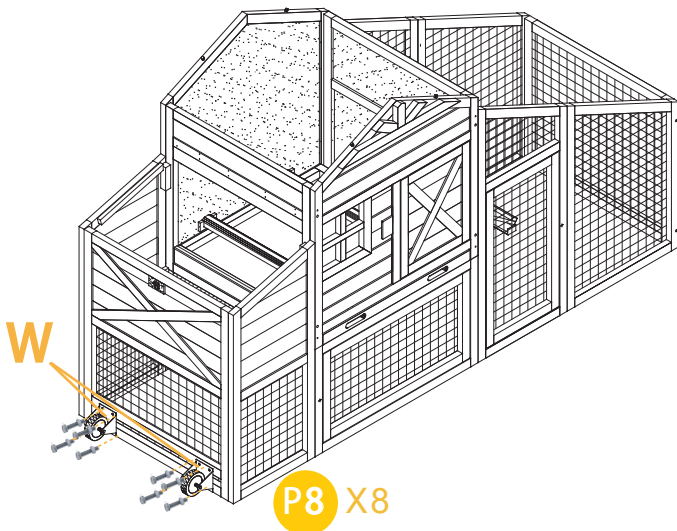


PRODUCT ASSEMBLY

07 Attach the Part P to the side by 4xP2 screws.

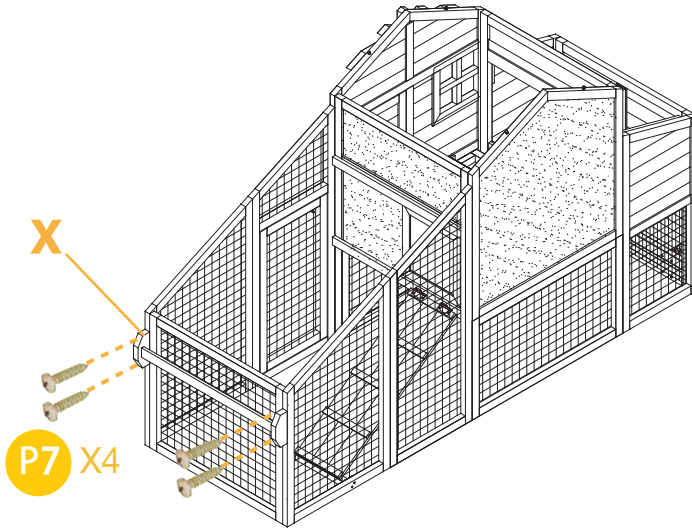


08 Attach the casters Part W to coop by 8xP8 screws.

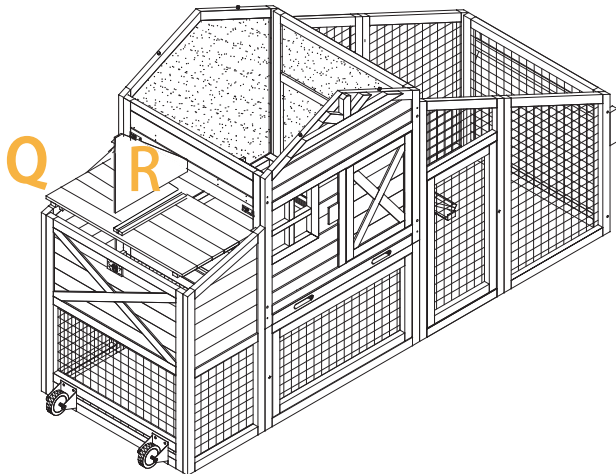


PRODUCT ASSEMBLY

09 Attach the push handle part X to right panel by 4xP7 screws.

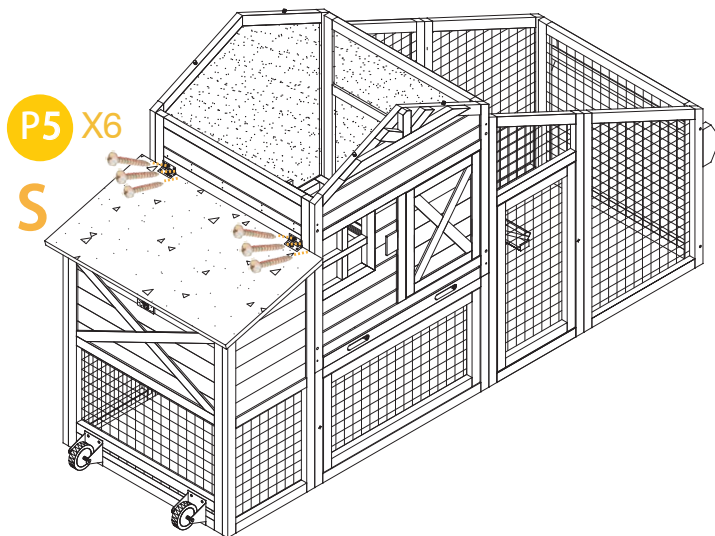


10 Drop in the bottom floor Part Q to the nesting box. Insert the divider Part R into the slots of bottom floor.

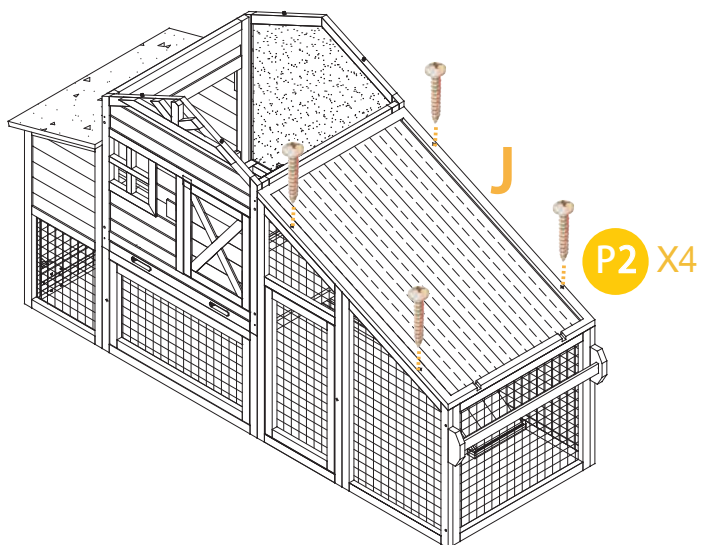


PRODUCT ASSEMBLY

- 11** Attach the roof of nesting box Part S by 6XP5 screws.

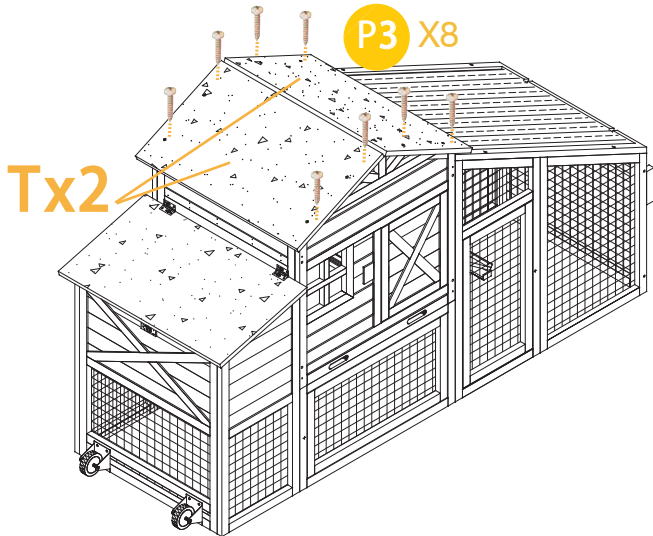


- 12** Attach the roof panel of pen Part J to the pen by 4xP2 screws.

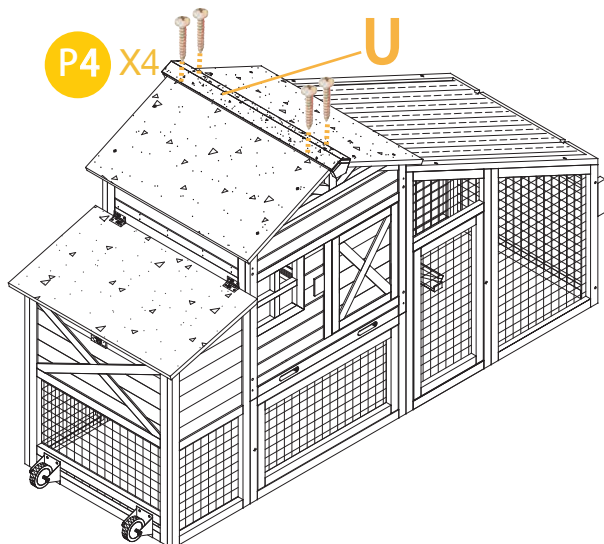


PRODUCT ASSEMBLY

- 13** Attach the roop Part T to the coop by 8xP3 screws.

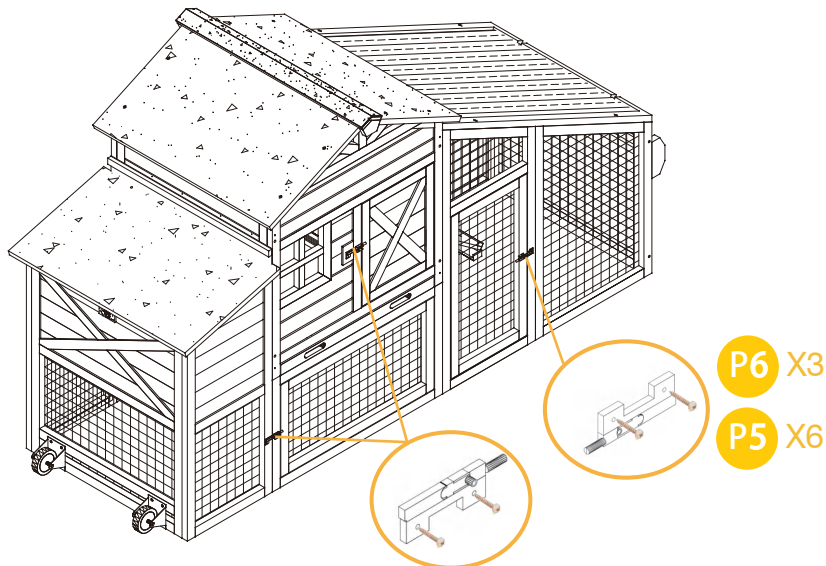


- 14** Ensure top roof panels line up with each other before screwing the cap Part U by 4xP4 screws.

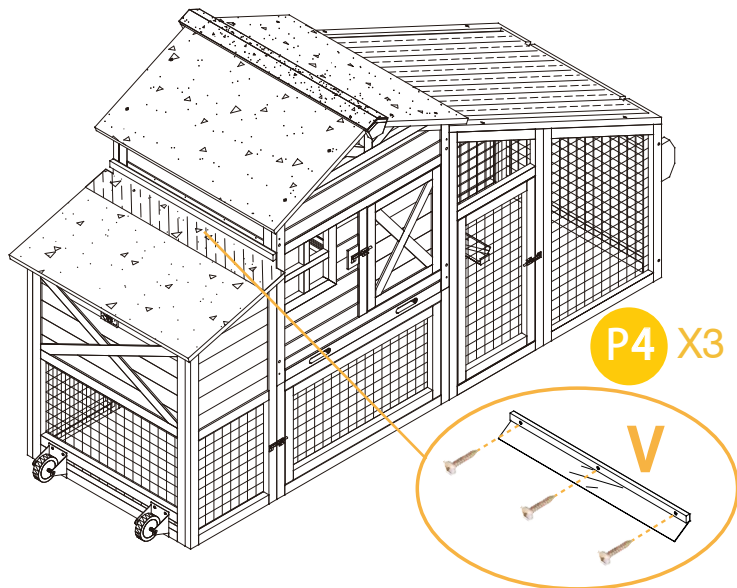


PRODUCT ASSEMBLY

- 15** Attach the spring latch P6 to the front doors by 2xP5 screws each.
(Notice the direction of latch)



- 16** Attached PVC Waterproof Strip Part V to the nesting box by 3XP4 screws.



Finish



WARNING

Manufacturer and seller expressly disclaim any and all liability for personal injury, property damage or loss, whether direct, indirect, or incidental, resulting from the incorrect attachment, improper use, inadequate maintenance, or neglect of this product.