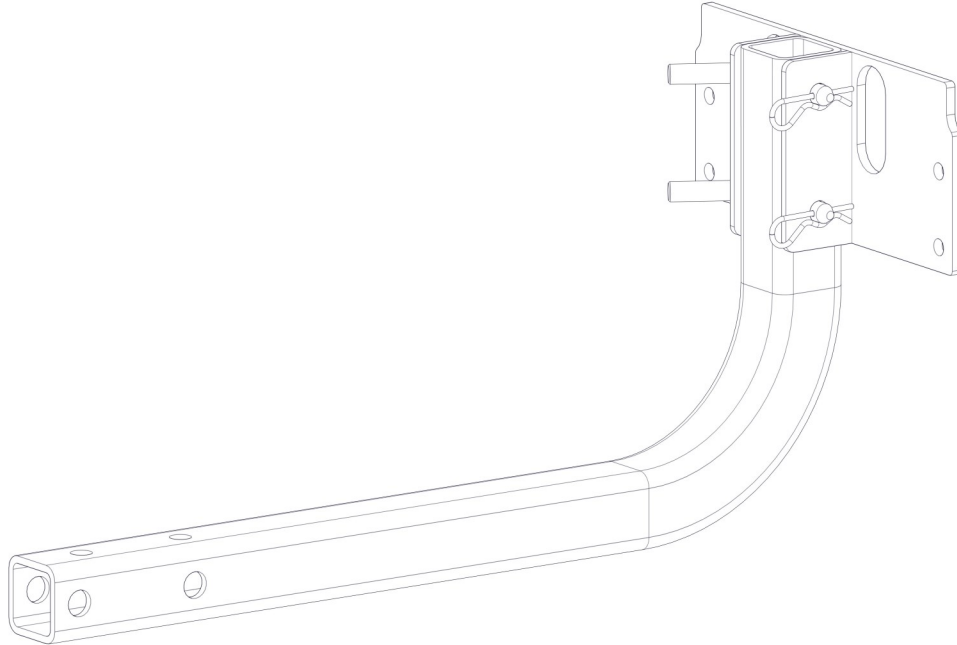


# OWNER'S MANUAL

**Model: 5301901**

(2" Hitch Receiver Mount Option for ATV-DMS-12V)



## General Information

Thank you for purchasing this product. The purpose of this manual is to help you achieve years of trouble-free operation. Please read it carefully.

**BEFORE RETURNING THIS PRODUCT  
FOR ANY REASON, PLEASE CALL**

**1-800-831-0027**

MONDAY-FRIDAY, 8:00 AM TO 5:00 PM CST

If you should have a question or experience a problem with your Fimco Industries Product: Visit our website @ [www.fimcoindustries.com](http://www.fimcoindustries.com) or call the Toll free number above. Our technical support representatives will be happy to help you.

In most cases a customer service rep. can resolve the problem over the phone.

To obtain prompt, efficient service, always remember to give the following information....

- Correct Part Description and/or part number
- Model number and Serial Number

Part descriptions and numbers can be obtained from the illustrated parts list section(s) of this manual.

**Retain a copy of your receipt for your unit,  
as it will be required to validate any warranty service.**

**Warranted against manufacturer or workmanship defects from date of purchase with copy of receipt:**

**Homeowner Usage: One Year.**

**Commercial Usage: 90 Days.**



**WARNING:** To reduce the risk of injury, the user must read and understand the operator's manual before using this product.



**WARNING:** Cancer and Reproductive Harm.  
[www.P65Warnings.ca.gov](http://www.P65Warnings.ca.gov)



[www.fimcoindustries.com](http://www.fimcoindustries.com)

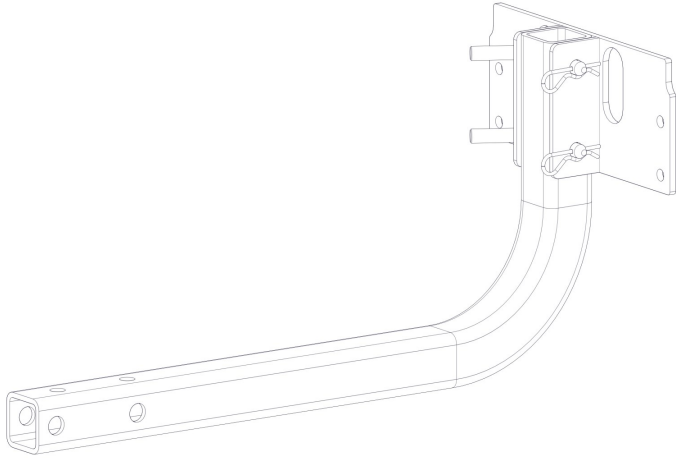
1000 FIMCO Lane, P.O. Box 1700, North Sioux City, SD 57049  
Toll Free Phone: 800-831-0027 : Toll Free Fax: 800-494-0440

[5008159

(06/24)]

## Contents

Technical Specifications .....	2	Receiver Mount Dimensions .....	3
Assembly .....	3	Warranty .....	4
Exploded Parts View and Parts List .....	3		



## Model: 5301901

(2" Hitch Receiver Mount Option for ATV-DMS-12V)

### Technical Specifications:

- Corrosion Resistant Steel Tube
- Designed to work with standard 2" pickup or UTV hitches.
- Mounting plate bolts right up to standard Fimco ATV Spreader

## IMPORTANT

Check all hardware before each use. Check for wear and fatigue, make sure all bolts are properly tightened and all pins are securely in place. Make sure spreader is securely fastened before use.

## IMPORTANT



Improper installation and operation could cause personal injury and/or equipment and property damage. Use eye, hand and breathing protection appropriate to the materials that you are spreading. Read the manufacturers or suppliers labels for proper protective equipment. Read and follow the manufacturer's instructions and notes for spreading and handling materials used for spreading.

## WARNING

**Read and Understand** the Owner's Manual for your material spreader completely before using. Assemble, test and use in accordance to spreader manual instructions.

**Read and Follow** all labels and the Owner's Manual for material spreader.

**Exercise Caution** in vehicle handling when using material spreader to avoid loss of control or overturning.

**Keep bystanders** away from operating spreader.

**Do Not** allow anyone to ride on or sit with you when operating the spreader.

**Before operating spreader** verify safety guard is in place.

**Before operating spreader** reassemble any parts or hardware removed for cleaning and adjusting.

**Before operating spreader** remove materials, such as cleaning rags, brushes and hand tools from spreader.

**Before servicing spreader** wait for spinner to stop.

**Disconnect** power before servicing or performing maintenance.

**Never** attempt to break up material inside hopper with hands or feet.

**Do Not** leave unused material in hopper. Material can freeze or solidify, causing unit to not work properly.

**Do Not** pressure wash motor or electrical components as damage may occur.

**Empty and Clean** after each use. Never remove spreader with material in hopper.

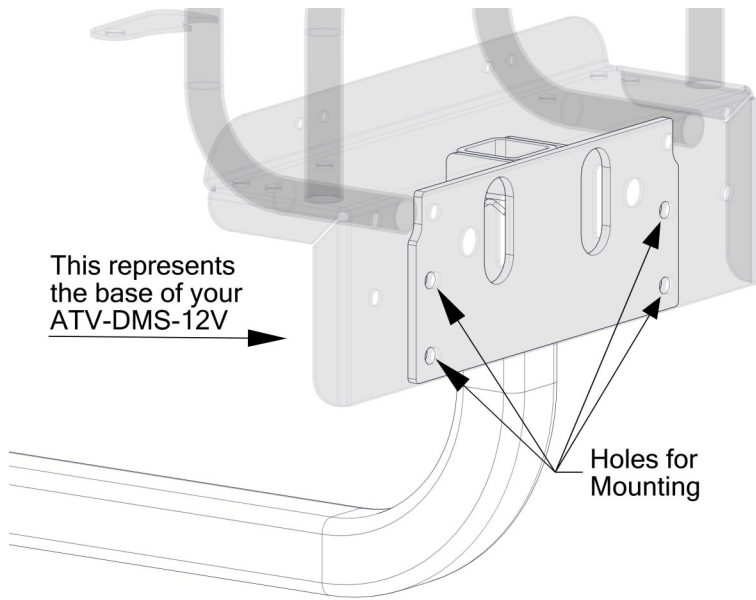
**Keep** hands, feet, hair and clothing away from moving/rotating parts.

**Material to be spread can be dangerous.** Improper selection, application, use or handling may be a hazard to persons, vehicle or other property. Follow instructions and precautions given by the material manufacturer.

**Controller is not serviceable,** if controller does not function, it will need to be replaced.

**Do Not** modify spreader or safety devices and guards.

**Improper use of this spreader or handling of materials to be spread could result in serious injury or illness, or could cause damage to the environment. Always use protective gear.**



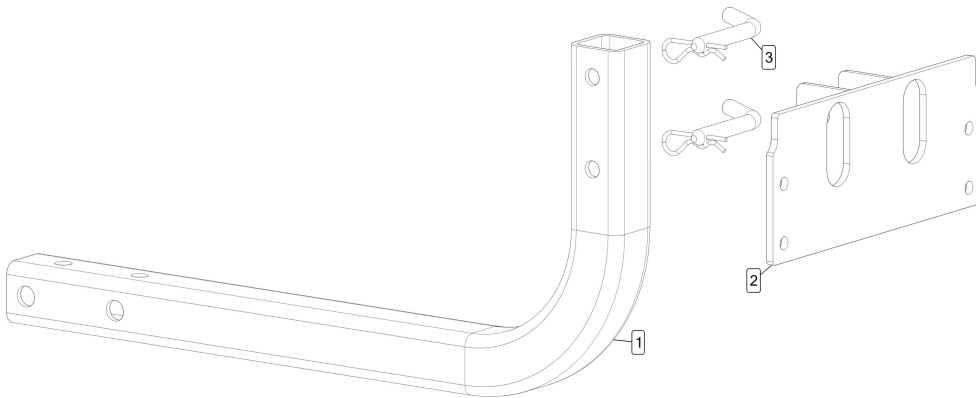
### Mounting the 5301901 to an ATV-DMS-12V

Utilize the mounting bolts from your Material Spreader to mount the mounting plate to the back of the spreader.

Make any minor adjustments as needed and think safety first!

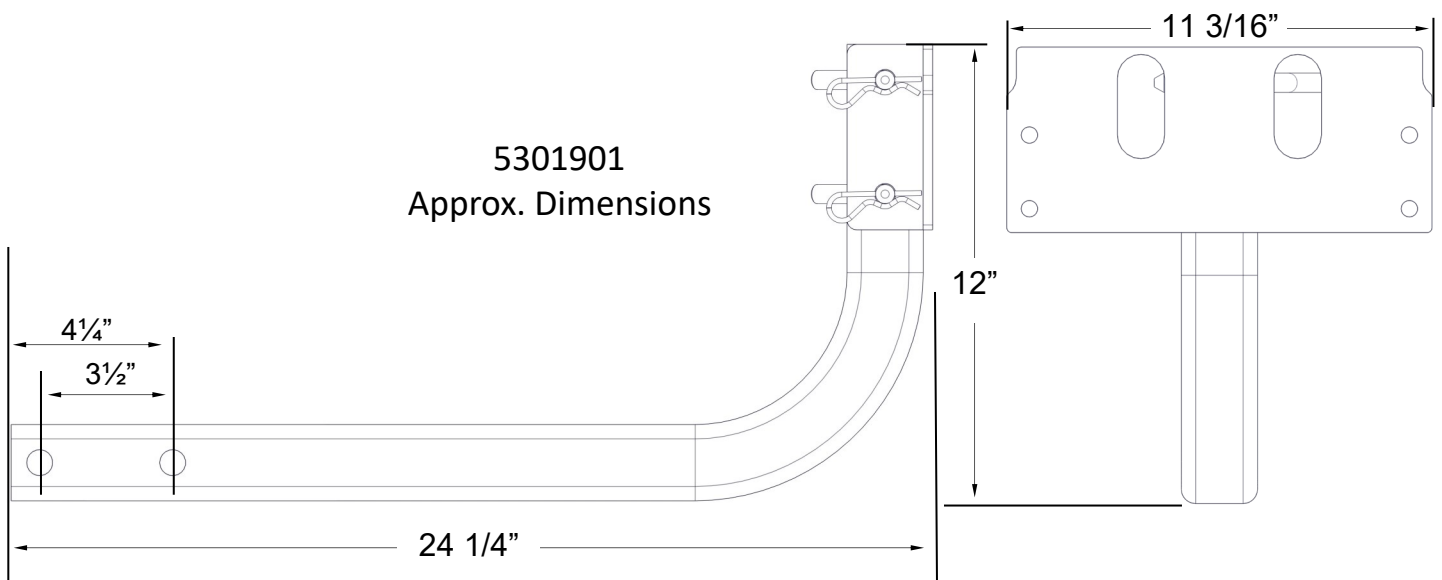
The only assembly required will be to insert the long tube into your hitch receiver on your vehicle. Secure in place with a 5/8" diameter pin (Not Included).

Proper care and maintenance will prolong the life of your spreader.



Exploded View/Parts List:  
5301901  
2" Hitch Receiver Option  
for ATV-DMS-12V

Ref. #	Part #	Description	Qty
1	5100983-BLK	2" Receiver Mount	1
3	5101202	Bent Clevis Pin (1/2" Dia.)	2
2	5275964-BLK	Receiver Mount Plate (2" Receiver)	1



# Warranty

## LIMITED WARRANTY FOR NEW FIMCO, IND. EQUIPMENT

**WHO MAY USE THIS LIMITED WARRANTY.** This limited warranty (the "Limited Warranty") is provided by Fimco, Ind. to the original purchaser ("you") of the Equipment (as defined below) from Fimco, Ind. or one of Fimco, Ind.'s authorized dealers. This Limited Warranty does not apply to any subsequent owner or other transferee of the Equipment. THIS LIMITED WARRANTY GIVES YOU SPECIFIC LEGAL RIGHTS, AND YOU MAY ALSO HAVE OTHER RIGHTS WHICH VARY FROM STATE TO STATE.

**WHAT THIS LIMITED WARRANTY COVERS AND FOR HOW LONG.** Fimco, Ind. warrants that any new Equipment will be free from defects in material and workmanship for a period of **one (1) year** (homeowner), **90 days** (commercial user), after delivery of the Equipment to you (the "Warranty Period"). The Warranty Period is not extended if Fimco, Ind. repairs or replaces the Equipment.

**WHAT IS NOT COVERED BY THIS LIMITED WARRANTY.** This Limited Warranty does not apply to: (1) used Equipment; (2) any Equipment that has been altered, changed, repaired or treated since its delivery to you, other than by Fimco, Ind. or its authorized dealers; (3) damage or depreciation due to normal wear and tear; (4) defects or damage due to failure to follow Fimco, Ind.'s operator's manual, specifications or other written instructions, or improper storage, operation, maintenance, application or installation of parts; (5) defects or damage due to misuse, accident or neglect, "acts of God" or other events beyond Fimco, Ind.'s reasonable control; (6) accessories, attachments, tools or parts that were not manufactured by Fimco, Ind., whether or not sold or operated with the Equipment; or (7) rubber parts, such as tires, hoses and grommets.

**HOW TO OBTAIN WARRANTY SERVICE.** To obtain warranty service under this Limited Warranty, you must (1) provide written notice to Fimco, Ind. of the defect during the Warranty Period and within **thirty (30)** days after the defect becomes apparent or the repair becomes necessary, at the following address: Fimco, Ind., 1000 Fimco Lane, North Sioux City, SD 57049; and (2) make the Equipment available to Fimco, Ind. or an authorized dealer within a reasonable period of time. For more information about this Limited Warranty, please call: **800-831-0027**.

**WHAT REMEDIES ARE AVAILABLE UNDER THIS LIMITED WARRANTY.** If the conditions set forth above are fulfilled and the Equipment or any part thereof is found to be defective, Fimco, Ind. shall, at its own cost, and at its option, either repair or replace the defective Equipment or part. Fimco, Ind. will pay for shipping and handling fees to return the repaired or replacement Equipment or part to you.

**LIMITATION OF IMPLIED WARRANTIES AND OTHER REMEDIES.** THE REMEDIES DESCRIBED ABOVE ARE YOUR SOLE AND EXCLUSIVE REMEDIES, AND FIMCO, IND.'S SOLE LIABILITY, FOR ANY BREACH OF THIS LIMITED WARRANTY. TO THE EXTENT APPLICABLE, ANY IMPLIED WARRANTIES, INCLUDING, WITHOUT LIMITATION, THE IMPLIED WARRANTIES OF MERCHANTABILITY AND FITNESS FOR A PARTICULAR PURPOSE, SHALL BE LIMITED IN DURATION TO THE WARRANTY PERIOD, AND THE REMEDIES AVAILABLE FOR BREACH THEREOF SHALL BE LIMITED TO THE REMEDIES AVAILABLE UNDER THIS EXPRESS LIMITED WARRANTY. SOME STATES DO NOT ALLOW LIMITATIONS ON HOW LONG AN IMPLIED WARRANTY LASTS, SO THE ABOVE LIMITATION MAY NOT APPLY TO YOU. IN NO EVENT SHALL FIMCO, IND.'S LIABILITY UNDER THIS LIMITED WARRANTY EXCEED THE ACTUAL AMOUNT PAID BY YOU FOR THE DEFECTIVE EQUIPMENT, NOR SHALL FIMCO, IND. BE LIABLE, UNDER ANY CIRCUMSTANCES, FOR ANY CONSEQUENTIAL, INCIDENTAL, SPECIAL OR PUNITIVE DAMAGES OR LOSSES, WHETHER DIRECT OR INDIRECT. SOME STATES DO NOT ALLOW THE EXCLUSION OR LIMITATION OF INCIDENTAL OR CONSEQUENTIAL DAMAGES, SO THE ABOVE LIMITATION OR EXCLUSION MAY NOT APPLY TO YOU.