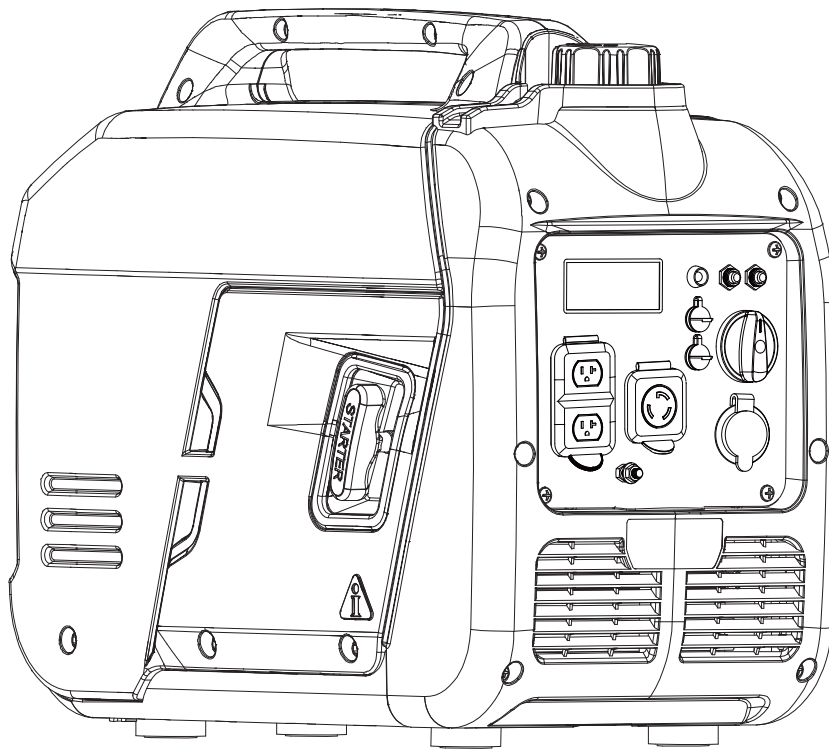




PORTABLE GENERATOR

Owner's Manual GXS4301i



 **DO NOT RETURN TO STORE!**
 **CALL US FIRST
855-888-3598
FOR SUPPORT**



Model: _____

Serial: _____

Date Purchased: _____

Model# 1492002 REV00

P/N: 32082-00000-00

SAVE THIS MANUAL FOR FUTURE REFERENCE

Table of Contents

Introduction.....	1	Maintenance And Storage.....	20
Safety.....	1	Maintenance Schedule.....	20
General Safety Precautions.....	2	Engine Maintenance.....	20
Unpacking the Generator.....	7	Engine Oil Level Check.....	20
Parts Included.....	7	Change Engine Oil.....	21
Controls and Features.....	8	Air Filter Maintenance.....	22
Control Panel Features.....	9	Spark Plug Maintenance.....	22
Specifications.....	11	Valve Clearance.....	22
CO WATCH-GUARD.....	12	Cleaning the Spark Arrestor.....	23
Add Engine Oil.....	14	Generator Maintenance.....	23
Low Oil Shutdown.....	14	Storage.....	23
Add Fuel.....	14	Trouble Shooting.....	25
Operation at High Altitude.....	15	Parts Diagram and Parts List.....	26
Grounding.....	15	Parts Diagram.....	26
Connecting to a Building's Electrical System...	15	Parts List.....	27
Operation.....	16	Circuit Diagram.....	28
Generator Location.....	16	Warranty.....	29
Surge Protection.....	16		
Starting the Generator.....	16		
Connecting Electrical Loads.....	17		
Low Idle Switch.....	17		
Stopping the Engine.....	18		
Low Oil Shutdown.....	18		
Do Not Overload Generator.....	18		
Parallel Operation.....	19		

INTRODUCTION

Read This Manual Thoroughly

WARNING



Read and understand manual completely before using product. Failure to completely understand manual and product could result in death or serious injury.

If any section of this manual is not understood, contact customer Service at 855-888-3598, or www.a-ipower.com for starting, operating and servicing procedures. The owner is responsible for proper maintenance and safe use of the unit. SAVE THESE INSTRUCTIONS for future reference. This manual contains important instructions that must be followed during placement, operation and maintenance of the unit and its components. Always supply this manual to any individual that will use this unit.

The information in this manual is accurate based on products produced at the time of publication. The manufacturer reserves the right to make technical updates, corrections and product revisions at any time without notice.

WARNING

Operating, servicing, and maintaining this equipment can expose you to chemicals including engine exhaust, carbon monoxide, phthalates, and lead, which are known to the State of California to cause cancer and birth defects or other reproductive harm. To minimize exposure, avoid breathing exhaust, and wear gloves or wash your hands frequently when servicing this equipment. For more information go to www.P65warnings.ca.gov.

SAFETY

The words DANGER, WARNING, CAUTION, and NOTICE are used throughout this manual to highlight important information. Make sure that the meanings of this safety information is known to all who operate, perform maintenance on, or are near the generator.



This safety alert symbol appears with most safety statements. It means attention, become alert, your safety is involved! Please read and abide by the message that follows the safety alerts symbol.

The manufacturer cannot possibly anticipate every possible circumstance that might involve a hazard. The warnings in this manual and the tags and decals affixed to the unit are therefore not all-inclusive. If you use a procedure, work method or operating technique that the manufacturer does not specifically recommend you must satisfy yourself that it is safe for you and others. You must also make sure that the procedure work method or operating technique that you choose does not render the generator unsafe.

DEFINITIONS AND SYMBOLS

DANGER

Indicates a hazard which, if not avoided, will result in death or serious injury.

WARNING

Indicates a hazard which, if not avoided, could result in death or serious injury.

CAUTION

Indicates a hazard which, if not avoided, could result in minor or moderate injury.

NOTICE

Indicates information considered important, but not hazard-related (e.g., messages relating to property damage).



Asphyxiation Hazard



Electric Shock Hazard



Fire Hazard



Explosion Hazard



Hot Surface.
Do Not Touch the Surface.
Burn Hazard



Moving Parts Hazard



Kickback



Operator's Manual

GENERAL SAFETY PRECAUTIONS

⚠ DANGER

Using a generator indoors **CAN KILL YOU IN MINUTES**. Generator exhaust contains carbon monoxide. This is a poison you cannot see or smell.



NEVER use inside a home or garage, **EVEN IF** doors and windows are open.



Only use **OUTSIDE** and far away from windows, doors and vents.

Avoid other generator hazards. **READ MANUAL BEFORE USE.**

⚠ DANGER

POISONOUS GAS HAZARD



Engine exhaust contains carbon monoxide, a poisonous gas that could kill you in minutes. You **CANNOT** smell it, see it, or taste it. Even if you do not smell exhaust fumes, you could still be exposed to carbon monoxide gas.

⚠ DANGER



The exhaust system must be properly maintained. Do not alter or modify the exhaust system as to render it unsafe or make it noncompliant with local codes and/or standards. Failure to do so will result in death or serious injury.

⚠ WARNING



Always, install battery operated carbon monoxide alarm indoors and installed according to the manufacturer's instruction.

- Operate this product **ONLY** outside far away from windows, doors and vents to reduce the risk of carbon monoxide gas from accumulating and potentially being drawn towards occupied spaces. **DO NOT** run this product inside homes, garages, basements, crawl spaces, sheds, or other partially-enclosed spaces even if using fans or opening doors and windows for ventilation. Carbon monoxide can quickly build up in these spaces and can linger for hours, even after this product has shut off.
- **ALWAYS** place this product downwind and point the engine exhaust away from occupied spaces. If you start to feel sick, dizzy, or weak while using this product, shut it off and get to fresh air **RIGHT AWAY**. See a doctor. You may have carbon monoxide poisoning.

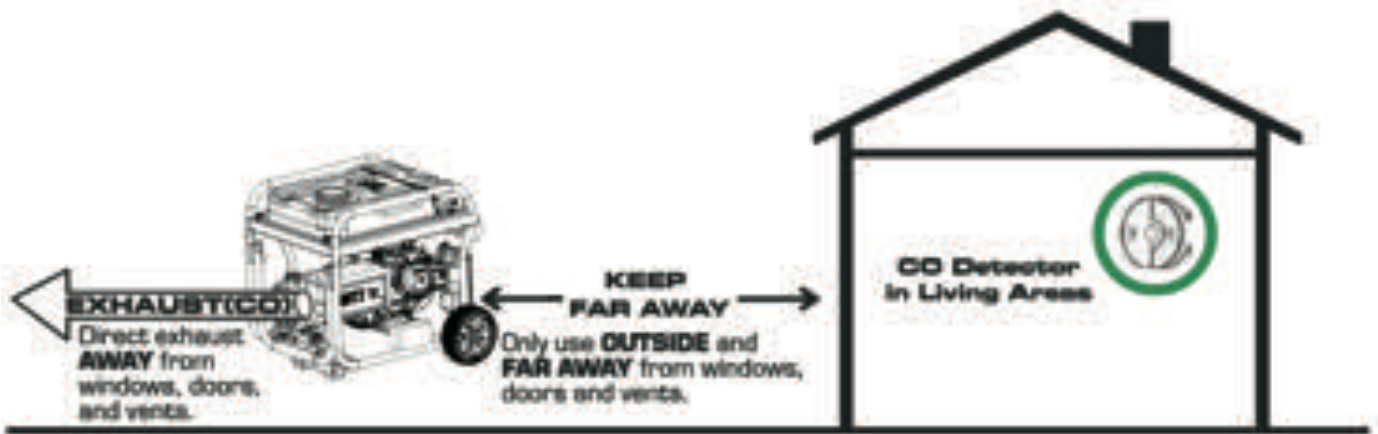
⚠ WARNING

If you start to feel sick, dizzy or weak while using the portable generator, you may have carbon monoxide poisoning. Get out side to fresh air immediately and call 911 for emergency medical attention. Very high levels of CO can rapidly cause victims to lose consciousness before they can rescue themselves. **DO NOT** attempt to shut off the generator before moving to fresh air. Entering an enclosed space where a generator is or has been running may put you at greater risk of CO poisoning.

CORRECT USAGE

Example location to reduce risk of carbon monoxide poisoning

- ONLY use outside and downwind, far away from windows, doors and vents.
- Direct exhaust away from occupied spaces.



INCORRECT USAGE

Do not operate in any of the following locations:

- Near any door, window or vent
- Garage
- Basement
- Crawl Space
- Living Area
- Attic
- Entry Way
- Porch
- Mud Room



WARNING



Starter cord kickback (rapid retraction) will pull hand and arm toward engine faster than you can let go which could cause broken bones, fractures, bruises, or sprains resulting in serious injury.

- When starting engine, pull cord slowly until resistance is felt and then pull rapidly to avoid kickback.
- **NEVER** start or stop engine with electrical devices plugged in and turned on.

DANGER



Fuel and its vapor are extremely flammable and explosive. Add fuel in a well ventilated area. Keep sparks, open flames and other ignition sources away. Failure to do so will result in death and serious injury.

DANGER



Do not overfill tank. Allow space for fuel expansion. If fuel spills wait until it evaporates before starting engine. Failure to do so will result in death and serious injury.

WHEN ADDING OR DRAINING FUEL

- Turn generator engine OFF and let it cool at least 2 minutes before removing fuel cap. Loosen cap slowly to relieve pressure in tank.
- Fill or drain fuel tank outdoors.
- **DO NOT** overfill tank. Allow space for fuel expansion.
- If fuel spills, wait until it evaporates before starting engine.
- Keep fuel away from sparks, open flames, pilot lights, heat, and other ignition sources.
- Check fuel lines, tank, cap, and fittings frequently for cracks or leaks. Replace if necessary.
- **DO NOT** light a cigarette or smoke.

NOTICE

DO NOT lay the generator on its side when moving, storing or operating. Oil may leak and damage the engine or your property.

WHEN STARTING THE GENERATOR

- Ensure spark plug, muffler, fuel cap, and air cleaner are in place.
- **DO NOT** crank engine with spark plug removed.

WHEN OPERATING THE GENERATOR

- **DO NOT** operate this product inside any building, carport, porch, mobile equipment, marine applications, or enclosure.
- **DO NOT** tip engine or equipment at angle which causes fuel to spill.
- **DO NOT** stop engine by moving choke control to "Start" position.

WHEN TRANSPORTING, MOVING OR REPAIRING THE GENERATOR

- Transport/move/repair with fuel tank EMPTY or with fuel shutoff valve OFF.
- **DO NOT** tip engine or equipment at angle which causes fuel to spill.
- Disconnect spark plug wire.

WHEN STORING FUEL OR THE GENERATOR WITH FUEL IN TANK

- Store away from furnaces, stoves, water heaters, clothes dryers, or other appliances that have pilot light or other ignition source because they could ignite fuel vapors.

DANGER



Generator voltage could cause electrical shock or burn will result in death or serious injury.

DANGER



Never use generator in wet or damp locations. Never expose generator to rain, snow, water spray while in use.

Protect generator from all hazardous weather conditions. Moisture, or ice can cause a short circuit or other malfunction in the electric circuit. Water contact with a power source if not avoided, will result in death or serious injury.

DANGER



Contact with terminals, bare wires and electrical connections when generator is running will result in death or serious injury.

DANGER



Fire and electrocution hazard. Do not connect to a building's electrical system unless the generator and transfer switch have been properly installed and the electrical output has been verified by a qualified electrician. The connection must isolate the generator power from utility power and must comply with all applicable laws and electrical codes.

- Use a ground fault circuit interrupter (GFCI) in any damp or highly conductive area, such as metal decking or steel work.
- **DO NOT** use generator with electrical cords which are worn, frayed, bare or otherwise damaged.
- **DO NOT** allow unqualified persons or children to operate or service generator.

WARNING



Exhaust heat/gases could ignite combustibles, structures or damage fuel tank causing a fire, resulting in death or serious injury.

Contact with muffler area could cause burns resulting in serious injury.

WARNING



When operating machine, do not touch hot surfaces. Keep machine away from combustibles during use. Hot surfaces could result in severe burns or fire.

- Allow equipment to cool before touching.
- Replacement parts must be the same and installed in the same position as the original parts.

- It is a violation of California Public Resource Code, Section 4442, to use or operate the engine on any forest-covered, brush-covered, or grass-covered land unless the exhaust system is equipped with a spark arrester, as defined in Section 4442, maintained in effective working order. Other states or federal jurisdictions may have similar laws. Contact the original equipment manufacturer, retailer, or dealer to obtain a spark arrester designed for the exhaust system installed on this engine.

WARNING



Unintentional sparking could cause fire or electric shock resulting in death or serious injury.

WHEN ADJUSTING OR MAKING REPAIRS TO YOUR GENERATOR

- Disconnect the spark plug wire from the spark plug and place the wire where it cannot contact spark plug.

WHEN TESTING FOR ENGINE SPARK

- Use approved spark plug tester.
- **DO NOT** check for spark with spark plug removed.

WARNING



Starter and other rotating parts could entangle hands, hair, clothing, or accessories. Keep away from rotating parts, failure to do so could result in death or serious injury.

- **DO NOT** wear loose clothing, jewelry or anything that could be caught in the starter or other rotating parts.

CAUTION

Excessively high operating speeds could result in minor injury. Excessively low operating speeds impose a heavy load.

- **DO NOT** tamper with governor spring, links or other parts to increase engine speed. Generator supplies correct rated frequency and voltage when running at governed speed.
- **DO NOT** modify generator in any way.

⚠ NOTICE

Exceeding generators wattage/amperage capacity could damage generator and/or electrical devices connected to it.

- **DO NOT** exceed the generator’s wattage amperage capacity.
- Start generator and let engine stabilize before connecting electrical loads.
- Connect electrical loads in OFF position, then turn ON for operation.
- Turn electrical loads OFF and disconnect from generator before stopping generator.

⚠ NOTICE

Improper treatment of generator could damage it and shorten its life.

- Use generator only for intended uses.
- If you have questions about intended use, ask dealer or contact local service center.
- Operate generator only on level surfaces.
- **DO NOT** expose generator to excessive moisture, dust, dirt, or corrosive vapors.
- **DO NOT** insert any objects through cooling slots.
- If connected devices overheat, turn them off and disconnect them from generator.
- Shut off generator if:
 - Electrical output is lost.
 - Equipment sparks, smokes, or emits flames.
 - Unit vibrates excessively.

⚠ WARNING

Medical and Life Support Uses.

- In case of emergency, call 911 immediately.
- **NEVER** use this product to power life support devices or life support appliances.
- **NEVER** use this product to power medical devices or medical appliances.
- Inform your electricity provider immediately if you or anyone in your household depends on electrical equipment to live.
- Inform your electrical provider immediately if a loss of power would cause you or anyone in your household to experience a medical emergency.

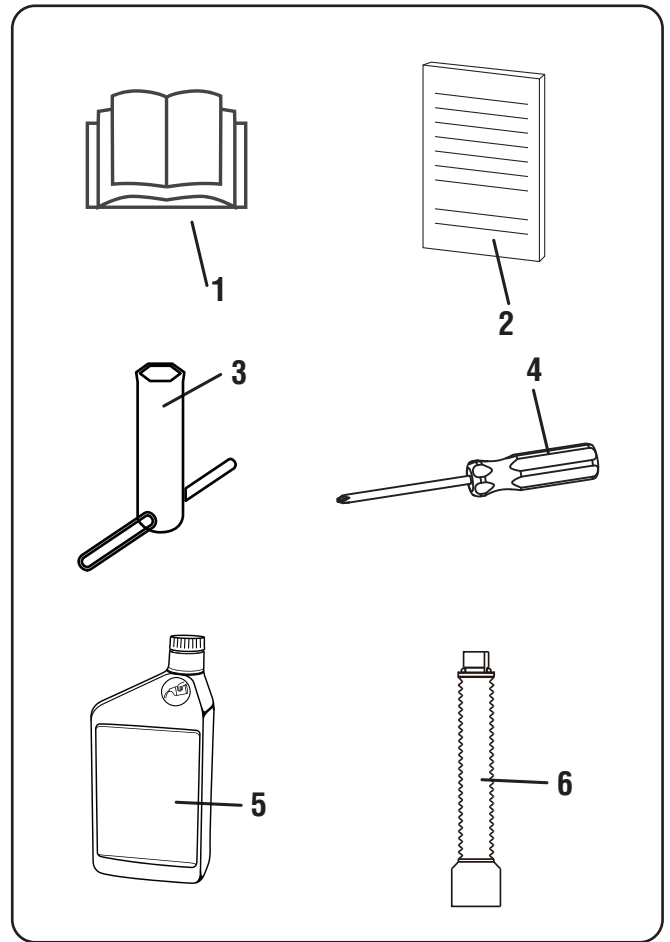
UNPACKING THE GENERATOR

- Open carton completely. Remove and verify carton content prior to assembly. Your generator ships with following items.
- Call our customer service at 855-888-3598 with the unit model and serial number for any missing item.
- Record model, serial number, and date of purchase on front cover of this manual for your own record.

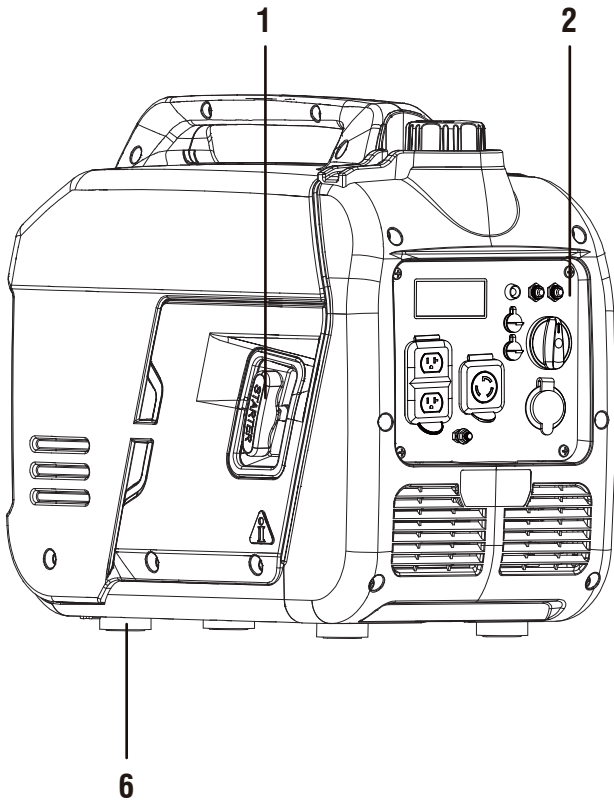
Parts Included

Your gasoline powered generator ships with the following parts:

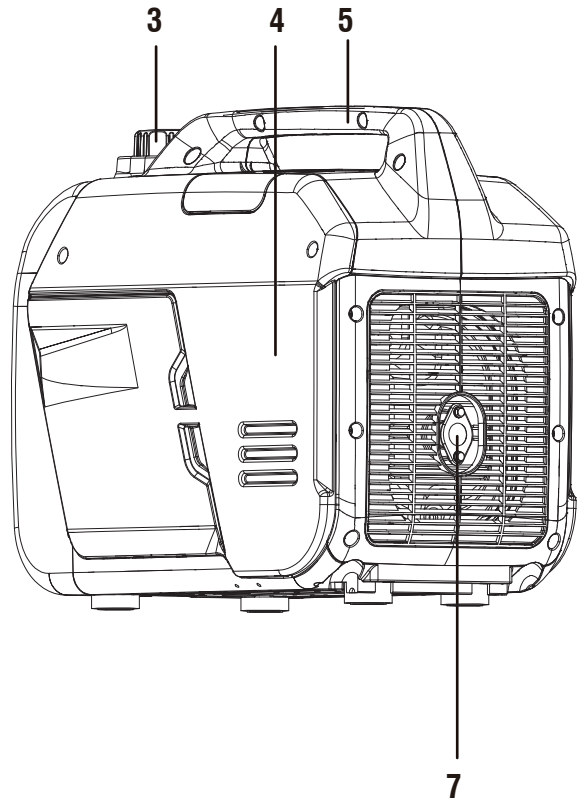
NO.	Item Description	Qty
1	Owner's Manual	1
2	Quick Start Guide	1
3	Spark Plug Wrench	1
4	Screw Drive	1
5	Oil Bottle(500ml)	1
6	Flexible Screw-on Funnel	1



CONTROLS AND FEATURES

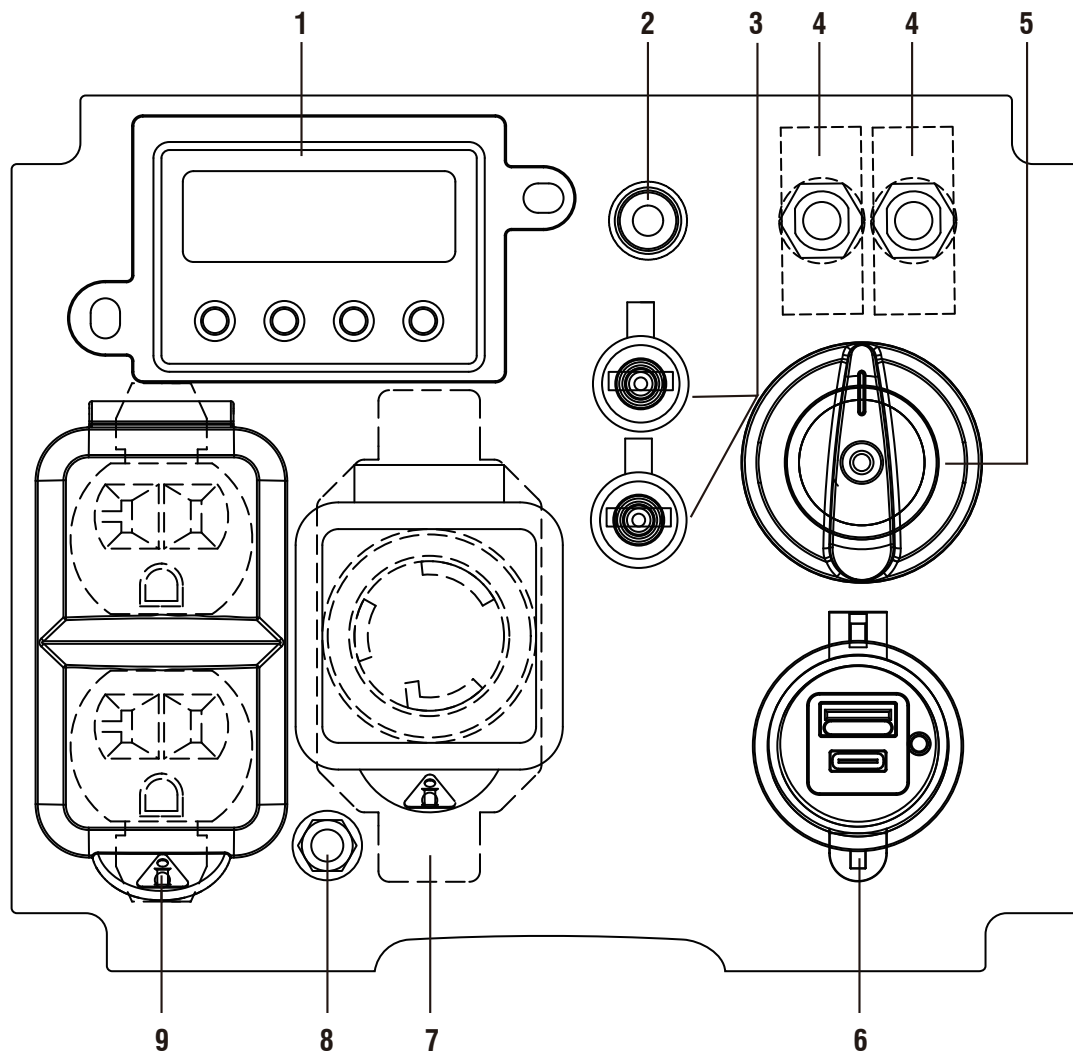


- 1 - Recoil Starter**
- 2 - Control Panel**
- 3 - Fuel Cap**
- 4 - Maintenance Cover**



- 5 - Carrying Handle**
- 6 - Support Leg**
- 7 - Muffler/Spark Arrester**

CONTROL PANEL FEATURES



1. LED DATA CENTER: See LED DATA CENTER section.

2. CO (Carbon Monoxide) WATCH-GUARD Indicator Light (Red for Shut off and Yellow for Service): The CO(Carbon Monoxide) WATCH-GUARD monitors for the accumulation of poisonous CO gas around the generator produced by engine exhaust when the generator is running. If the CO WATCH-GUARD detects increasing levels of CO gas, it automatically shuts off the engine. See CO WATCH-GUARD section for more information.

3. Parallel Operation Outlets: These outlets are used for connecting two AIPOWER inverter generators for parallel operation. Do not connect or disconnect parallel cables while the generator is running to avoid damage.

4. Circuit Breaker(AC): Protects the generator against electrical overloads.

5. Starting Dial Switch: Used to start and stop the generator.

6. 5V DC USB Outlets: Supply 3.6A USB-A type and 3.0A USB-C type for different applications.

7. 120V AC, 30A Twist Lock Outlet, Single Phase,60 Hz Outlet (NEMA L5-30R): This receptacle can provide 120 volt output up to 30 amps.

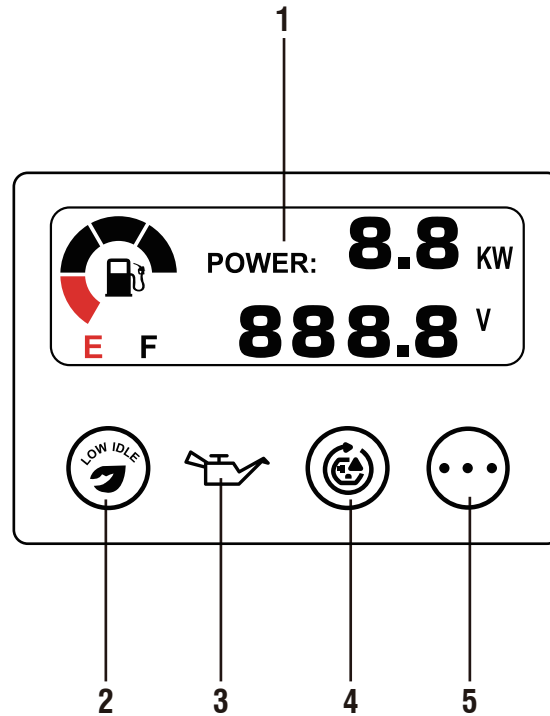
8. Ground Terminal: The ground terminal is used to ground the generator.

9. 120V AC, 20A Duplex, Single Phase, 60 Hz Outlets (NEMA 5-20R): Each outlet is capable of carrying a maximum of 20 Amp on.

NOTE: Total power drawn from all outlets must not exceed the nameplate rating.

CONTROL PANEL FEATURES

LED Data Center



1. LED Multi-Meter: Displays voltage, power, fuel level, frequency, and running time.

2. Low Idle Push Button: Low idle minimizes the fuel consumption and noise by adjusting the engine speed to the minimum required for the current load.

3. Low Oil Indicator LED (Red): Illuminates when the engine oil level falls below the safe operating level and the generator will automatically shut off the engine. The engine will not start until the proper amount of oil is in the crankcase.

4. Overload Reset Button with Indicator Light: The indicator light is green when the inverter is running under rated load. The indicator light will turn to blinking red or solid red when the rated load is exceeded. When the maximum load is reached, the inverter will automatically cut off all AC outputs to protect the inverter. Press the overload reset button to restore the power without stopping the engine.

5. Select Button: Push this button to show the voltage, power, fuel level, frequency or total running time in LED Multi-Meter.

SPECIFICATIONS

GXS4301i	
Model Number	1492002
Starting Watts	4300W
Running Watts	3450W
Rated AC Voltage	120V
Rated DC Voltage	5V
Rated Frequency	60HZ
Phase	Single
Grounding System (AC)	Neutral Floating
Engine Type	Single Cylinder, 4-Stroke OHV Air Cooled
Engine Displacement	149cc
Starting System	Recoil
Low Oil Shutdown	Yes
Oil Type	10W-30
Oil Capacity	16.2 fl.oz (0.48 L)
Spark Plug OEM Type	A5RTC
Spark Plug Replacement Type	CR5HSA or equivalent
Spark Plug Gap	0.028~0.031inch (0.7~0.8mm)
Valve Intake Clearance	0.002~0.003 inch (0.06~0.09 mm)
Valve Exhaust Clearance	0.002~0.003 inch (0.06~0.09 mm)
Voltage Regulation System	Digital Inverter
Alternator Excitement System	Permanent Magnet
Total Harmonic Distortion (THD)	<3%
Fuel Tank Capacity	1.6 Gal (6.00 L)
Fuel Type	Gasoline
Maximun Ambient Temperature	104°F (40°C)
Battery Spec	NA
Certifications	EPA-CARB-PGMA Compliant

NOTICE

This product is designed and rated for continuous operation at ambient temperatures up to 104°F(40°C). If needed, this product can be operated at temperatures ranging from 5°F(15°C) - 122°F(50°C) for short periods. If the product is exposed to temperatures outside of this range during storage, it should be brought back within this range before operation. This product must always be operated outdoors in a well-ventilated area and far away from doors, windows, and other vents.

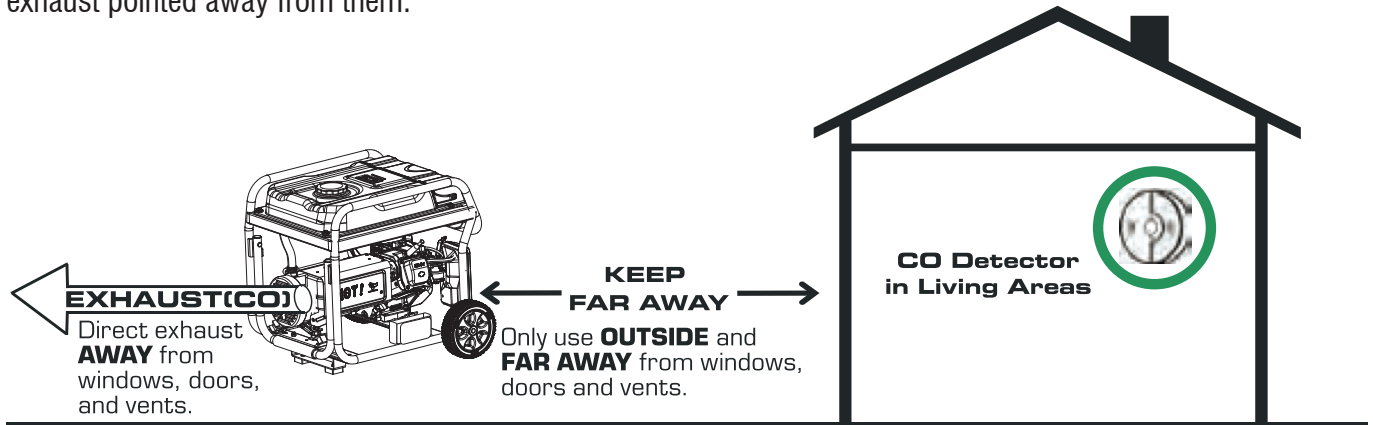
Maximum wattage and current are subject to and limited by such factors as fuel BTU content, ambient temperature, altitude, engine conditions, etc. Maximum power decreases about 3.5% for each 1,000 feet above sea level, and will also decrease about 1% for each 10°F(6°C) above 60°F(16°C) ambient temperature.

CO WATCH-GUARD

Carbon Monoxide (CO) Detection and Auto Shutoff System


Your Generator is equipped with Carbon Monoxide (CO) WATCH-GUARD detect system for your protection and safety. This detecting and shutoff system monitors for the accumulation of poisonous CO gas around the generator produced by engine exhaust when the generator is running. If the CO sensor detects increasing levels of CO gas, it automatically shuts off the engine.

Generators are intended to be used outdoors and far away from occupied buildings, windows, doors and exhaust pointed away from them.



However, if the generator misused and operated in a location that results in the accumulation of CO inside an enclosed or partially enclosed space, CO WATCH- GUARD automatically shuts off the engine and notifies the user of what has happened and directs the user to read the instruction of CO WATCH-GUARD Action Label for steps to take.

CO WATCH-GUARD ACTION LABEL • ÉTIQUETTE D'ACTION • ETIQUETA DE FUNCIONAMIENTO



AUTOMATIC SHUTOFF - YOU MUST:


- MOVE GENERATOR TO AN OPEN, OUTDOOR AREA. • POINT EXHAUST AWAY. • DON'T RUN GENERATOR IN ENCLOSED AREAA (E.G. NOT IN HOUSE OR GARAGE).

ARRÊT AUTOMATIQUE - VOUS DEVEZ:

- DÉPLACER LA GÉNÉRATRICE DANS UN ESPACE EXTÉRIEUR OUVERT. • DIRIGER L'ÉCHAPPEMENT LOIN DE VOUS. • NE PAS FAIRE FONCTIONNER LA GÉNÉRATRICE DANS DES ENDROITS FERMÉS (COMME DANS LA MAISON OU LE GARAGE).

APAGADO AUTOMÁTICO - USTED DEBE:

- MOVER EL GENERADOR A UN ÁREA ABIERTA, EN EXTERIORES. • ORIENTAR EL TUBO DE ESCAPE HACIA AFUERA. • NO ACTIVAR EL GENERADOR EN ÁREAS CERRADAS (PEJ.: EN UNA CASA O GARAJE).



- MOVE TO FRESH AIR. • GET MEDICAL HELP IF SICK, DIZZY OR WEAK.
- VOUS RETIRER À L'AIR FRAIS.
- CONSULTER UN MÉDECIN SI VOUS ÊTES MALADE, ÉTOURDI OU FAIBLE.
- MOVER AL AIRE LIBRE.
- OBTENER ATENCIÓN MÉDICA SI SE SIENTE ENFERMO, MAREADO O DÉBIL.

WARNING: / AVERTISSEMENT: / ADVERTENCIA:
TAMPERING WITH CO WATCH-GUARD COULD RESULT IN HAZARDOUS CONDITION. / L'ALTÉRATION DE WATCH-GUARD CO PEUT ENTRAÎNER DES CONDITIONS DANGEREUSES. / HACER ALTERACIONES CON WATCH-GUARD CO PODRÍA OCASIONAR CONDICIONES PELIGROSAS.

NOTIFICATIONS: BLINKING RED AND YELLOW LIHGT

There is a CO indicator light on the control panel with two possibilities:

1-Blinking Red Light provides notification that the generator was shutoff due to an accumulating CO level around the generator. The red light will blink for at least five minutes after a CO shut off. Automatic shutoff is an indication generator was improperly located. Move the generator to an open, outdoor area far from occupied spaces with exhaust pointed away. Once relocated to a safe area, the generator can be restarted. The red light will stop blinking automatically after 2-5 seconds upon engine re-start.

If you start to feel sick, dizzy, weak, or your homes carbon monoxide alarm sounds while using the generator, get to fresh air right away. Call emergency services. You may have carbon monoxide poisoning.

2-Blinking Yellow Light provides notification that a CO WATCH-GUARD fault has occurred and no longer provides protection. The generator is shutoff automatically and the yellow light will blink for at least five minutes after shutoff. Call A-iPower Customer Service 855-888-3598 for repair. Do not use the generator until the sensor is working properly. The CO WATCH-GUARD must only be serviced by qualified technician to restore it to original settings.

 **WARNING**

DO NOT modify or tamper with the Carbon Monoxide Detecting System (CO WATCH-GUARD). Not following these instructions could result in death or serious injury due to Carbon Monoxide detecting system malfunction.

CO WATCH-GUARD will detect the accumulation of carbon monoxide from other fuel burning sources such as engine powered tools used in the area of operation. If another generator is used and the exhaust is pointed at a CO WATCH-GUARD equipped generator, the CO WATCH-GUARD may initiate a shutoff due to rising carbon monoxide levels. This is not a fault. Hazardous carbon monoxide has been detected. You must take action to move and direct the equipment to better dissipate carbon monoxide far away from people or buildings.

CO WATCH-GUARD only monitors when the generator is running.
CO WATCH-GUARD **DOES NOT** replace carbon monoxide alarms.
Tempering with the CO WATCH-GUARD will void your warranty.

 **WARNING**

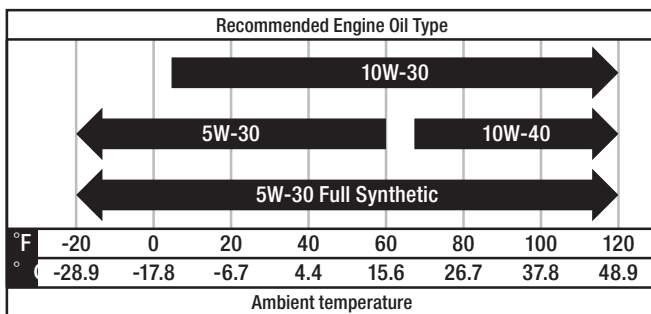
Tampering with CO WATCH-GUARD could result in a hazardous condition. Removing the CO WATCH-GUARD module will not allow the generator to start.

Add Engine Oil

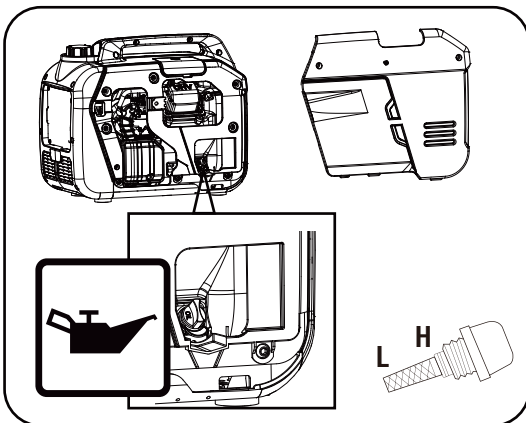
We recommend using SAE 10W-30 APISJ oil for best performance. Other high-quality detergent oils (APISJ or higher) are acceptable. Do not use special additives. Ambient temperature determines the proper oil viscosity for the engine. Use the chart to select the proper oil for the outdoor temperature range expected.

NOTICE

Do not attempt to crank or start the engine before it has been properly filled with the recommended type and amount of oil. Damage due to operation with no oil will void your warranty.



1. Place generator on a flat and level surface.
2. Loosen the bolts and remove the maintenance cover.
3. Remove oil fill cap/dipstick .
4. Using oil funnel, slowly pour contents of provided oil bottle into oil fill opening to the "H" mark on dipstick. Be careful do not overfill. Overfilling with oil could cause the engine to not start or hard starting.
5. Reinstall oil fill cap dipstick and fully tighten.
6. Oil level should be checked prior to each use or at least 8 hours of operation. Keep oil level maintained.



The engine is equipped with a low oil shut-off and will stop when the oil level in the crankcase falls below the threshold level.

NOTICE

We consider the first 5 hours of run time to be the break-in period for the unit. During the break in period stay at or below 50% of the running watt rating and vary the load occasionally to allow stator windings to heat and cool. Adjusting the load will also cause engine speed to vary and help seat piston rings.

Low Oil Shutdown

The unit is equipped with a low oil shutdown. If the oil level becomes lower than required, the sensor will activate a warning device or stop the engine. If generator shuts off and the oil level is within specifications, check to see if generator is sitting at an angle that forces oil to shift. Place on an even surface to correct this. If engine fails to start, the oil level may not be sufficient to deactivate low oil level switch. Make sure the sump is completely full of oil.

Add Fuel

DANGER



Fuel and its vapor are extremely flammable and explosive. Add fuel in a well ventilated area. Keep sparks, open flames and other ignition sources away. Failure to do so will result in death and serious injury.

DANGER



Do not overfill tank. Allow space for fuel expansion. If fuel spills wait until it evaporates before starting engine. Failure to do so will result in death and serious injury.

Fuel must meet these requirements:

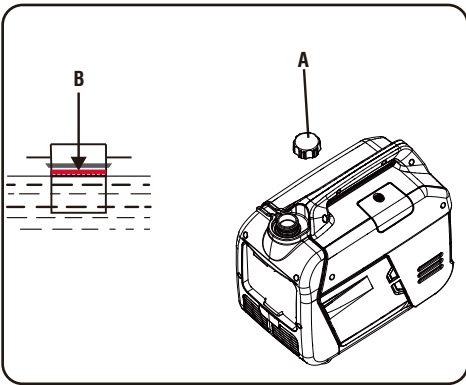
- Clean, fresh, unleaded gasoline.
- Use regular UNLEADED gasoline with the generator engine with a minimum 87 octane / 87 AKI (91 RON). Do not use E85 or E15.

For high altitude use, see "Operation at High Altitude".

- **DO NOT** mix oil in gasoline.
- **DO NOT** modify engine to run on alternate fuels.

WHEN ADDING FUEL

- Fill fuel tank outdoors.
- **DO NOT** overfill tank. Allow space for fuel expansion. If the tank is overfilled, fuel can overflow onto a hot engine and cause fire or explosion.
- If fuel spills, wait until it evaporates before starting engine.
- Keep fuel away from sparks, open flames, pilot lights, heat, and other ignition sources.
- Check fuel lines, tank, cap and fittings frequently for cracks or leaks. Replace if necessary.
- **DO NOT** light a cigarette or smoke when filling the fuel tank.



1. Remove the fuel cap (A) slowly.
2. Slowly add unleaded fuel to fuel tank. Be careful not to fill above the red fuel level indicator (B). This allows adequate space for fuel expansion.
3. Install fuel cap and let any spilled fuel evaporate before starting engine .

NOTICE

It is important to prevent gum deposits from forming in fuel system parts such as the carburetor, fuel hose or tank during storage. Alcohol-blended fuels (called gasohol, ethanol or methanol) can attract moisture, which leads to separation and formation of acids during storage. Acidic gas can damage the fuel system of an engine while in storage. To avoid engine problems, the fuel system should be emptied before storage of 30 days or longer. See the "Long Term Storage" section. Never use engine or carburetor cleaner products in the fuel tank as permanent damage may occur.

Operation at High Altitude

At altitudes over 5,000 feet(1524 meters), a minimum 85 octane gasoline is acceptable. Engine power and generator output will be reduced approximately 3.5% for every 1000 feet (305 m) of elevation above sea level. High altitude may cause hard starting, increased fuel consumption and spark plug fouling. To operate at high altitudes A-iPower can provide a high altitude carburetor main jet. The alternative main jet and installation instructions can be obtained by contacting Customer Support.

NOTICE

Operation using an alternative main jet at elevations lower than the recommended minimum altitude can damage the engine. For operation at lower elevations, the standard main jet supplied must be used. Operating the engine with the wrong main jet may increase exhaust emissions, fuel consumption and reduce performance.

Grounding

WARNING



Shock hazard. Failure to properly ground the generator can result in electric shock.

The national electrical requires your generator must be connected properly to an appropriate ground to help prevent electric shock.

The generator has a system ground that connects the generator frame components to the ground terminals on the AC output receptacles. There may be Federal or State regulations, local codes, or ordinances that apply to the intended use of the generator. Consult a qualified electrician, electrical inspector, or the local agency having jurisdiction. This generator is not intended to be used at a construction site or similar activity as defined by NFPA 70-2020 (NEC) section 590.6.

Connecting to a Building's Electrical System

Connections to your home's electrical system must use a listed transfer switch installed by a licensed electrician. The connection must isolate the generator power from the utility power and comply with all applicable laws and electrical codes.

OPERATION

Generator Location

⚠ WARNING

Make sure you review each warning in order to prevent fire hazard.

⚠ DANGER

Using a generator indoors **CAN KILL YOU IN MINUTES**. Generator exhaust contains carbon monoxide. This is a poison you cannot see or smell.

		
NEVER use inside a home or garage, EVEN IF doors and windows are open.		Only use OUTSIDE and far away from windows, doors and vents.
Avoid other generator hazards. READ MANUAL BEFORE USE.		

⚠ DANGER



Never use generator in wet or damp locations. Never expose generator to rain, snow, water spray or standing water while in use. Protect generator from all hazardous weather conditions. Moisture, or ice can cause a short circuit or other malfunction in the electric circuit. Water contact with a power source if not avoided, will result in death or serious injury.

- Keep area clear of inflammables or other hazardous materials.
- Select a site that is dry, well ventilated and protected from the weather.
- Keep exhaust pipe clear of foreign objects.
- Keep generator away from open flame.
- Keep generator on a stable and level surface.
- Do not block generator air vents with paper or other material.

Surge Protection

Electronic devices, including computers and many programmable appliances use components that are designed to operate within a narrow voltage range and may be affected by momentary voltage fluctuations. While there is no way to prevent voltage fluctuations, you can take steps to protect sensitive electronic equipment.

Install UL1449, CSA-listed, plug-in surge suppressors on the outlets feeding your sensitive equipment.

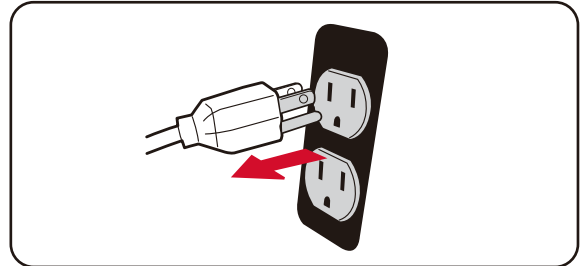
Surge suppressors come in single- or multi-outlet styles. They're designed to protect against virtually all short-duration voltage fluctuations.


Starting the Generator

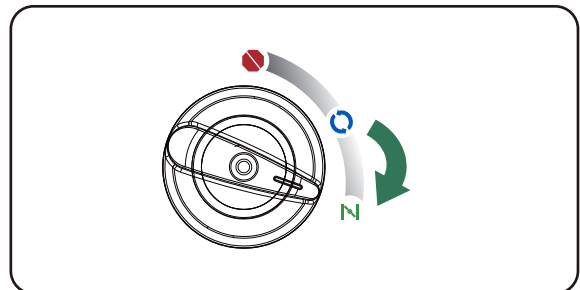
1. Before starting the generator, check for loose or missing parts and for any damage which may have occurred during shipment.
2. Check oil level and fuel.




3. Disconnect all electrical loads from the generator. Never start or stop the generator with electrical devices plugged in or turned on.

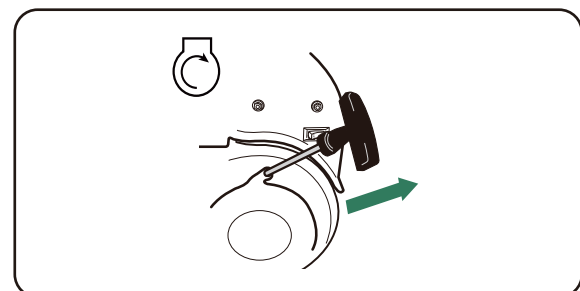



4. Turn the starting dial switch to the "ON"  position.

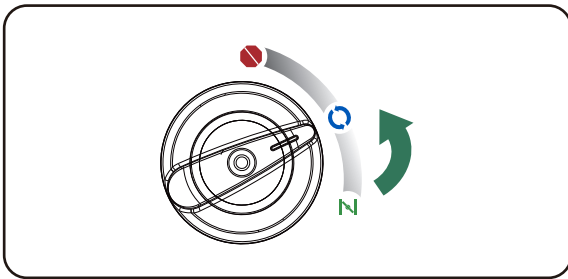


Note: For restarting a warm engine, turn the starting dial switch directly to the "RUN"  position.

5. Pull recoil starter slowly until resistance is felt, then pull rapidly.



6. Turn the starting dial switch to the RUN  position.



WARNING



Starter cord kickback (rapid retraction) will pull hand and arm toward engine faster than you can let go which could cause broken bones, fractures, bruises, or sprains resulting in serious injury.

When starting engine, pull cord slowly until resistance is felt and then pull rapidly to avoid kickback.

NOTE:

Keep choke knob in “**START**” position for only 1 pull of the recoil starter. After first pull, move choke knob to the “**RUN**” position for up to the next 3 pulls of the recoil starter. Too much choke leads to spark plug fouling/engine flooding due to the lack of incoming air. This will cause the engine not to start.

If engine starts after 3 pulls but fails to run. Or if unit shuts down during operation, make sure unit is on a level surface and check for proper oil level in crankcase. This unit may be equipped with a low oil protection device. If so, oil must be at proper level for engine to start.

Connecting Electrical Loads

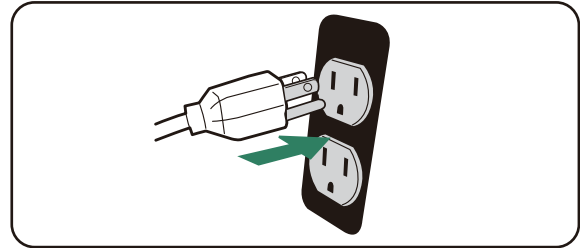
This unit has been pretested and adjusted to handle its full capacity. Before starting the generator, disconnect all loads. Apply load only after generator is running. Voltage is regulated via the engine speed adjusted at the factory for correct output. Re-adjusting will void warranty.

NOTE:

When applying a load, do not exceed the maximum wattage rating of the generator when using one or more receptacles. Also, do not exceed the amperage rating of any one receptacle.

Do not apply heavy electrical load during break-in period (the first five hours of operations).

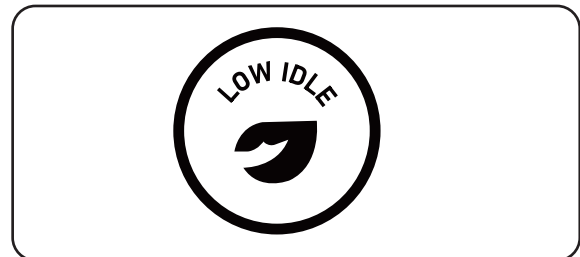
1. Let engine stabilize and warm up for a few minutes after starting.
2. Ensure circuit breaker on control panel is in on position.
3. Plug in and turn on the desired 120 Volt AC, single phase, 60Hz electrical loads. It is better to attach the item with largest load first.



Low Idle Switch

NOTICE

Always start the generator with LOW IDLE SWITCH on OFF position. Allow the engine speed to stabilize and the OUTPUT READY INDICATOR LED to illuminate green before switching LOW IDLE Switch to ON position.



NOTICE

For periods of high electrical load or momentary fluctuations, the LOW IDLE Switch should be turned OFF.

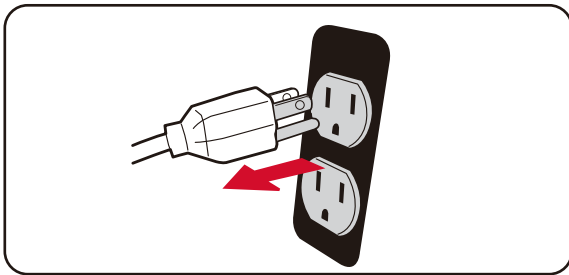
NOTE:


LOW IDLE minimizes fuel consumption and noise by adjusting the engine speed (RPM) to the minimum required for the current load. Turn LOW IDLE Switch to ON position when powering small appliances with continuous loads such as a computer or electric light. Turn LOW IDLE Switch to OFF position when powering large surge loads such as an air conditioner or electric pump. Be certain that the OUTPUT READY INDICATOR LED is illuminated green before turning the switch to ON position. If no load is present, the generator speed (RPM) will drop to idle speed. The generator will detect loads as they are applied and increase engine speed (RPM). To run the generator

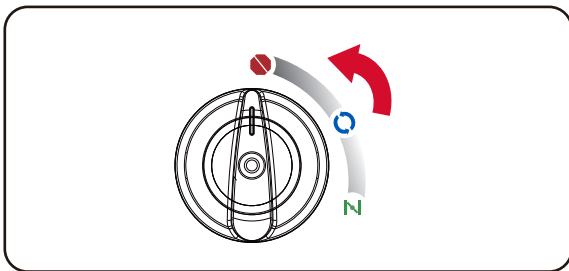
at maximum power and speed (RPM), push the LOW IDLE Switch to the OFF position.

Stopping the Engine

1. Turn off and remove entire electrical loads.
Never start or stop the generator with electrical devices plugged in or turned on.
Let the generator run at no-load for two minutes to stabilize internal temperatures of the engine and generator.



2. Turn the starting dial switch to the OFF  position.



WARNING



Fuel and its vapors are extremely flammable and explosive which could cause burns, fire or explosion resulting in death or serious injury.

DO NOT stop engine by moving choke control to “START” position.

NOTE:

If the engine will not be used for a period of two weeks or longer, please see the Storage section for proper engine and fuel storage.

Low Oil Shutdown

If the engine oil drops below a preset level, an oil switch will stop the engine. Check oil level with dipstick.

If oil level is between LOW and HIGH mark on dipstick:

1. **DO NOT** try to restart the engine.

2. Restart engine and if the engine stops again a low oil condition may still exist. **DO NOT** try to restart the engine.
3. Contact Customer Service.
4. **DO NOT** operate engine until oil level is corrected.

Do Not Overload Generator

Overloading a generator in excess of its rated wattage capacity can result in damage to the generator and to connected electrical devices.

To prolong the life of your generator and attached devices, follow these steps to add electrical load:

1. Start the generator with no electrical load attached.
2. Allow the engine to run for several minutes to stabilize.
3. Plug in and turn on the first item. It is best to attach the item with the largest load first.
4. Allow the engine to stabilize.
5. Plug in and turn on the next item.
6. Allow the engine to stabilize.
7. Repeat steps 5-6 for each additional item.

Parallel Operation (2 x GXS4301i Models)

WARNING



Fire and electrocution hazard. Never connect or disconnect the parallel cord leads when a generator is running. Do not parallel more than two generators. Use only AIPOWER generators for paralleling.

NOTICE

Paralleling this generator to a generator that is not compatible can cause a low voltage output that can damage tools and appliances powered by the generator. Do not connect or disconnect parallel cables while the generator is running to avoid damage. Parallel operation gives you the ability to link this generator to a compatible AIPOWER generator for combined running and starting power output. Use only the AIPOWER approved cables for parallel operation. For single generator operation, the parallel operation cable must be removed.

NOTE:

Only connect two identical (same model) generators together for parallel operation.

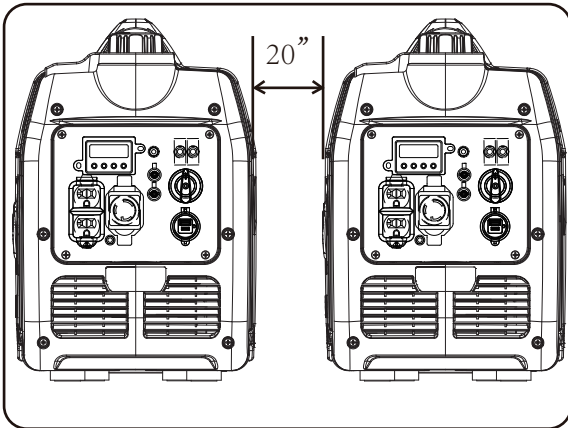
Set up and Operation

1. Align the two inverters on a firm, flat and level surface at a minimum 20 inch apart.

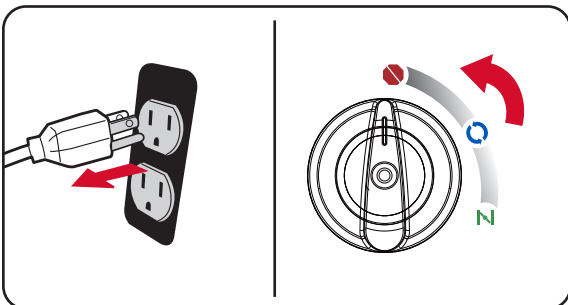
WARNING



If not spaced apart, the exhaust heat from one generator discolors or melt the plastic shell on other generator.



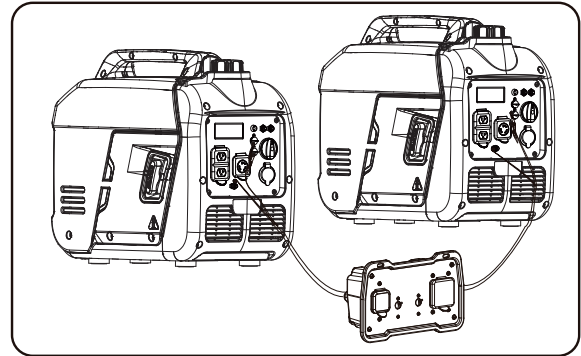
2. Both generators to be turned off and all electrical loads disconnected before paralleling operation.



3. Make sure the LOW IDLE switch is in the OFF position on both generators.



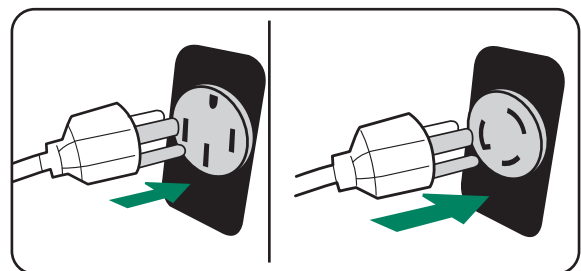
4. The parallel operation outlets allow you to connect two AIPOWER generators to increase the total available electrical power. The AIPOWER Parallel Operation Kit can be purchased. Follow the instructions included with your parallel operation kit for proper installation and operation.



5. Start one of the generators and wait until the OUTPUT READY INDICATOR LED illuminates.
6. Start the second generator and wait until the OUTPUT READY INDICATOR LED illuminates before connecting a load.
7. Plug in the 120 Volt AC, single phase, 60Hz electrical loads into parallel kit receptacles and turn on first load. Allow generator output to stabilize before plugging in the next load.

NOTE:

It is strongly recommended to plug in devices with the largest output first and the smallest output last to help prevent overloading the inverters. Do not exceed maximum wattage rating of inverters, parallel kit and receptacles.



MAINTENANCE AND STORAGE

MAINTENANCE SCHEDULE

Regular Maintenance will improve the performance and extend the life of your generator. Follow maintenance schedule intervals whichever occurs first according to use.

NOTE: Adverse conditions will require more frequent services.

Walk-Around Inspection

Before starting the engine perform a visual inspection of the unit. Look for:

- Proper engine oil level
- Proper fuel level
- Fluid leaks
- Loose clamps and bolts
- Cracked fuel line
- Loose or frayed wiring
- Built up debris

Before Each Use
Check engine oil level Walk-around inspection
First 5 Hours (Break-In)
Change engine oil
First 25 Hours or First Month
Change engine oil
Every 100 Hours or 6 Months
Change engine oil Clean Air Filter Inspect/Adjust/Replace Spark plug Inspect/Clean/Replace Spark Arrester
Every 200 Hours or 12 Months
Replace Air filter Replace Spark Plug Inspect/Adjust Valve Clearance*

* To be performed by authorized service center

NOTE:

Change oil every month when operating under heavy load or high temperatures. Clean the air filter more often under dirty or dusty operating conditions. Replace air filter if they cannot be adequately cleaned.

NOTE:

Maintenance should be performed more frequently when generator is used in dusty areas. When generator has exceeded the maximum figures specified in the table, maintenance should still be cycled according to the intervals of time or hours stated herein.

General Recommendations

Regular maintenance will improve the performance and extend the life of the generator. See any authorized dealer for service. The generator's warranty does not cover items that have been subjected to operator abuse or negligence. To receive full value from the warranty, the operator must maintain generator as instructed in this manual. Some adjustments will need to be made periodically to properly maintain your generator. All service and adjustments should be made at least once each season. Follow the requirements in the Maintenance Schedule chart above.

ENGINE MAINTENANCE

To prevent accidental starting, remove and ground spark plug wire before performing any service.

Engine Oil Level Check

CAUTION

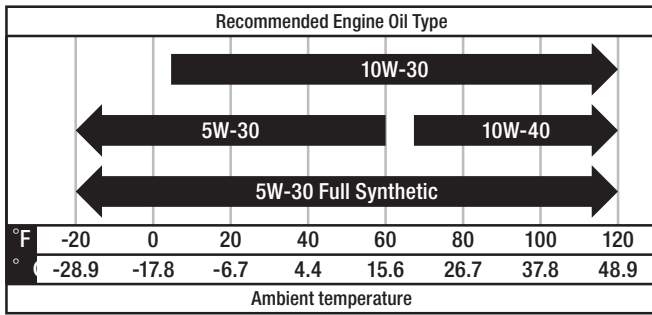
Avoid skin contact with engine oil. Wear protective clothing and equipment. Wash all exposed skin with soap and water.

NOTICE

Always use the specified engine oil. Failure to use the specified engine oil can cause accelerated wear and/or shorten the life of the engine.

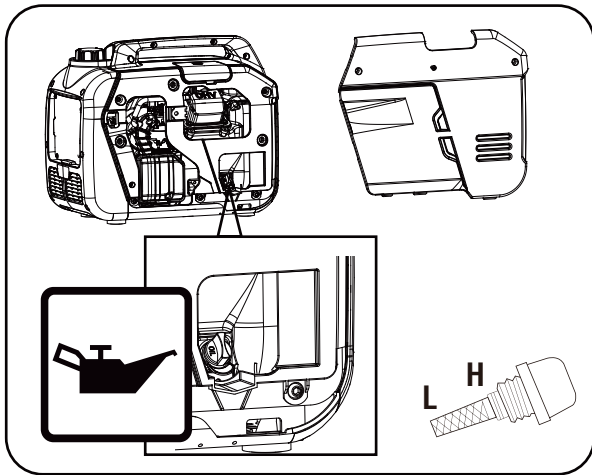
When using the generator under extreme, dirty, dusty conditions or in extremely hot weather, change the oil more frequently.

Ambient air temperature will affect engine oil performance. Change the type of engine oil used based on weather conditions.



Check the engine oil level before each use or every 8 hours of operation.

1. Place the generator on a level surface and allow the engine to cool for several minutes.
2. Loosen the bolts and remove the oil access cover.
3. With a damp rag, clean around the oil dipstick.
4. Remove the oil dipstick.
5. Wipe the dipstick clean, then screw dipstick into filler neck. Remove the dipstick and verify that the oil level is within safe operating range.
6. If low, add recommended engine oil incrementally and recheck until the level is between the L and H marks on the dipstick. **DO NOT** overfill. If over the full mark on the dipstick, drain the oil to reduce the oil level to the full mark.
7. Reinstall the oil dipstick and hand-tighten.



Change Engine Oil

Change engine oil per maintenance schedule. If you are using your generator under extremely dirty or dusty conditions, or in extremely hot weather, change the oil more often.

WARNING



Risk of burns. Allow engine to cool before draining oil or coolant. Failure to do so could result in death or serious injury.

CAUTION

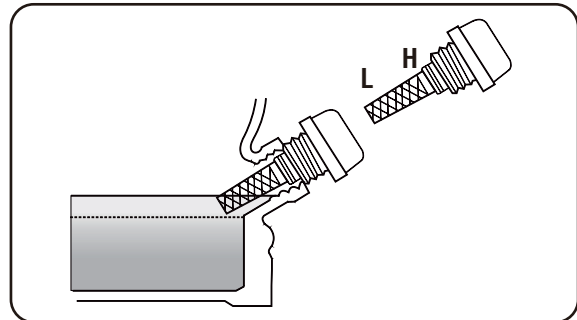
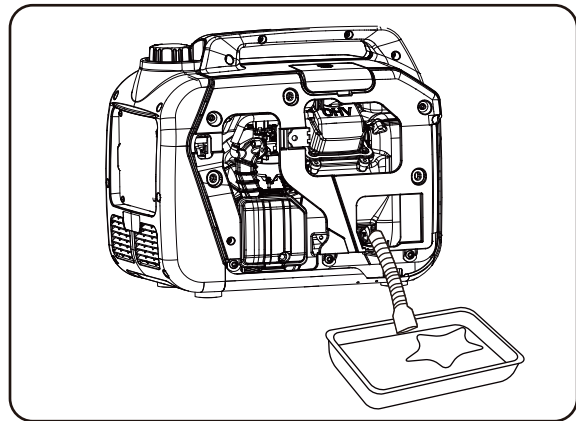
Avoid prolonged or repeated skin contact with used motor oil.

1. Loosen the bolts and remove the maintenance cover.
2. Remove the oil filler cap.
3. Screw the oil funnel onto the filling neck to avoid spills.
4. Tilt the generator on its side and allow the oil to drain completely.

NOTE:

Drain the lubricant while the engine is still warm but not hot. Warm lubricant will drain quickly and more completely.

5. Fill the engine with oil until it reaches the HIGH (H) level on the oil filler cap. **DO NOT** OVERFILL.
6. Reinstall the maintenance cover and tighten the cover screws.
7. Dispose of used oil at an approved waste management facility.



NOTE:

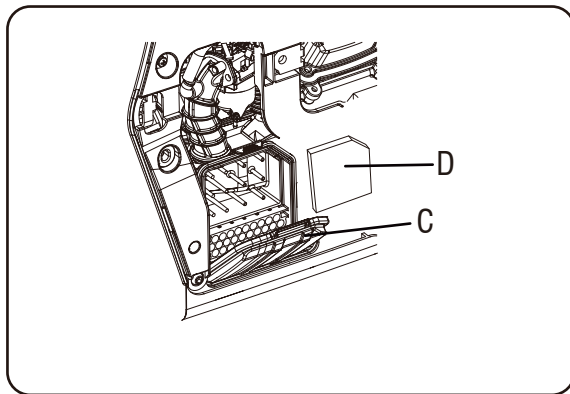
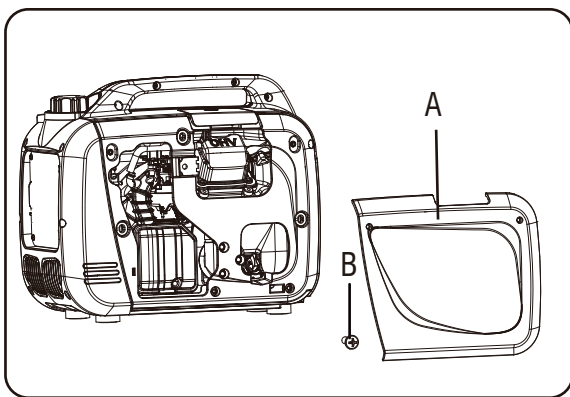
Please use an approved container to catch and recycle the used oil.

If contaminated or deteriorated oil is used or the quantity of the engine oil is not sufficient, engine damage will result and its life will be greatly shortened.

Maximum oil capacity: 16.2 fl.oz (0.48 L)

Air Filter Maintenance

1. Unscrew the bolts
remove the maintenance cover (A).
2. Remove and air filter cover plate (C).
3. Take out the filter element(D).
4. If the filter element is dirty, wash it with warm soap and clean water and dry it.
5. Apply a layer of engine lubricant on the filter element and squeeze it out.
6. Reinstall the filter element into the air cleaner unit.
7. Reinstall the air filter cover plate (C).
8. Reinstall the side maintenance cover(A) of the unit.



Spark Plug Maintenance

The spark plug must be properly gapped and free of deposits in order to ensure proper engine operation. To check:

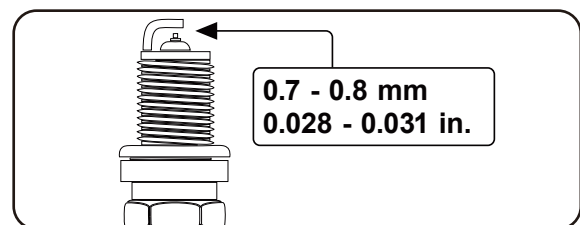
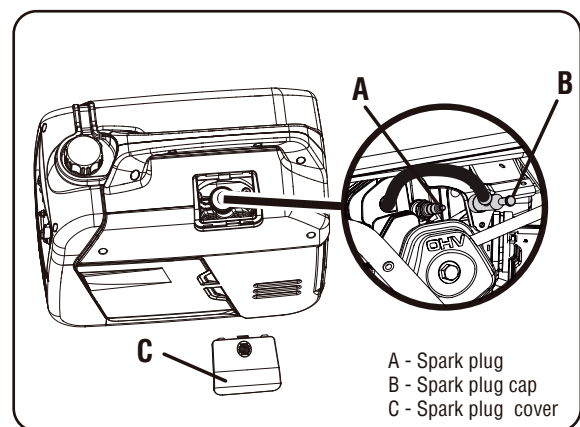
1. Remove the spark plug cover(C).
2. Remove the spark plug cap (B).
3. Clean any dirt from around base of spark plug.
4. Remove spark plug (A) using provided wrench.
5. Inspect spark plug for damage, and clean with a wire brush before reinstalling. If insulator is cracked or chipped, spark plug should be replaced.

6. Measure plug gap. The correct gap is 0.028-0.031 in. (0.7-0.8 mm). To widen gap, if necessary, carefully bend the ground (top) electrode. To lessen gap, gently tap ground electrode on a hard surface.
7. Seat spark plug in position; thread in by hand to prevent cross-threading.
8. Tighten with wrench to compress washer. If spark plug is new, use 1/2 turn to compress washer appropriate amount. If reusing old spark plug, use 1/8 to 1/4 turn for proper washer compression.

NOTE:

An improperly tightened spark plug will become very hot and could damage the engine.

9. Reinstall the spark plug cap (B).



Valve Clearance

Important: Please contact Authorized Service Center for service assistance. Proper valve clearance is essential for prolonging the life of the engine. Check valve clearance per maintenance schedule.

	Intake Valve	Exhaust Valve
Valve Clearance	0.002~0.003 inch (0.06~0.09 mm)	0.002~0.003 inch (0.06~0.09 mm)
Torque	10-12 N·M	10-12 N·M

⚠ NOTICE

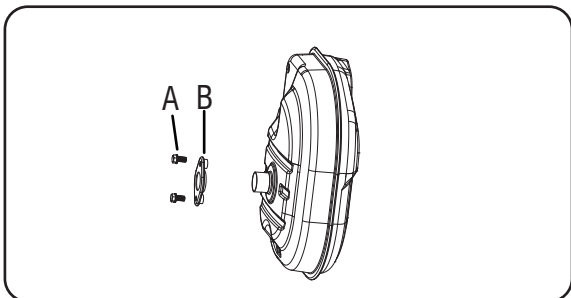
Checking and adjusting valve clearance must be done when the engine is cold.

Cleaning the Spark Arrestor

1. allow the engine to cool down completely before carrying out fender maintenance.
2. loosen screw (A) to remove pressure block (B).
3. use a wire brush to carefully remove the carbon deposits on the secondary debris screen.
4. if there is any problem, please replace the auxiliary gasket.
5. place the fender on the winch and fix them with the screws removed in step 2.

NOTE:

This product is equipped with a spark arrestor that has been evaluated by the USDA Forest Service; however, product users must comply with Federal, State, and local fire prevention regulations. Check with appropriate authorities. Contact customer service or a qualified service center to purchase a replacement spark arrestor.



GENERATOR MAINTENANCE

Make certain that the generator is kept clean and stored properly. Only operate the unit on a flat, level surface in a clean, dry operating environment.

DO NOT expose the unit to extreme conditions, excessive dust, dirt, moisture or corrosive vapours.

NOTE:

DO NOT use a garden hose to clean the generator. Water can enter the generator through the cooling slots and damage the generator windings.

Use a damp cloth to clean exterior surfaces of the generator.

Use a soft bristle brush to remove dirt and oil.

Use an air compressor 25 PSI (172 kPa) to clear dirt and debris from the generator.

Inspect all air vents and cooling slots to ensure that they are clean and unobstructed.

STORAGE

It is recommended to start and run the generator for 30 minutes, every 30 days. If this is not possible, refer to below short term and long term storage.

Short Term Storage

Fill the tank with fresh gasoline and add gasoline stabilizer. Drain the carburetor float bowl.

- 1 - Add a properly formulated FUEL STABILIZER to the tank if it is not already added.
- 2 - Run the engine for 10-15 minutes to circulate stabilizer throughout fuel system.
- 3 - Allow the generator to cool a minimum of 30 minutes and then drain the carburetor float bowl.
- 4 - Clean the generator and store in a cool, dry and well ventilated area out of direct sunlight.

Long Term Storage (over one year)

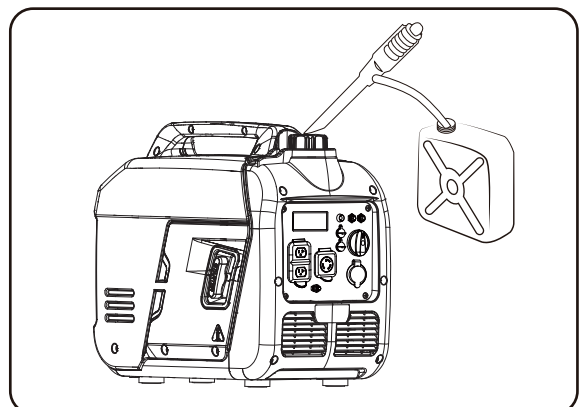
For long term storage, the gasoline tank and carburetor must be drained of gasoline.

- 1 - After engine cools down, remove all gasoline from the fuel tank using non-conductive siphon.
- 2 - To remove the remaining gasoline in fuel system:
 - a-Keep the fuel valve open and run the engine until it stops from lack of fuel.

Or

b-Keep the fuel valve open and drain carburetor float bowl.

- 3 - Change the engine oil.
- 4 - Remove the spark plug.
- 5 - Pour tablespoon(5-10cc) of clean engine oil into cylinder.
- 6 - Pull starter recoil several times to distribute oil in cylinder.
- 7 - Install spark plug.
- 8 - Pull recoil slowly until resistance is felt. This close valves so moisture cannot enter engine cylinder. Gently release recoil.
- 9 - Clean the generator and store in a cool, dry and well ventilated area out of direct sunlight.



DRAINING THE FLOAT BOWL

1. Turn the fuel tank valve to the OFF position.
2. Locate the drain screw on the bottom of the carburetor float bowl.
3. Place an appropriate gasoline container to catch the drained fuel.
4. Loosen the float bowl drain screw and allow the fuel to drain from the drain tube. Tighten the float bowl drain screw.

DANGER

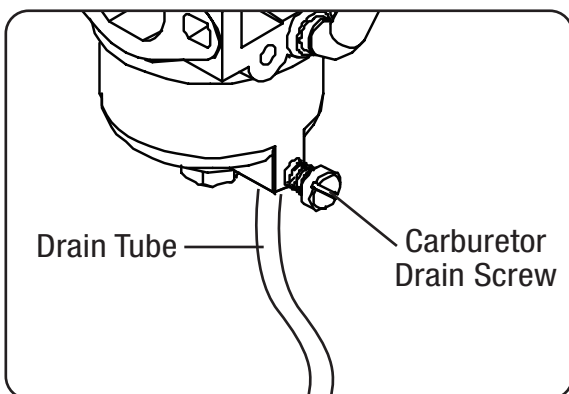
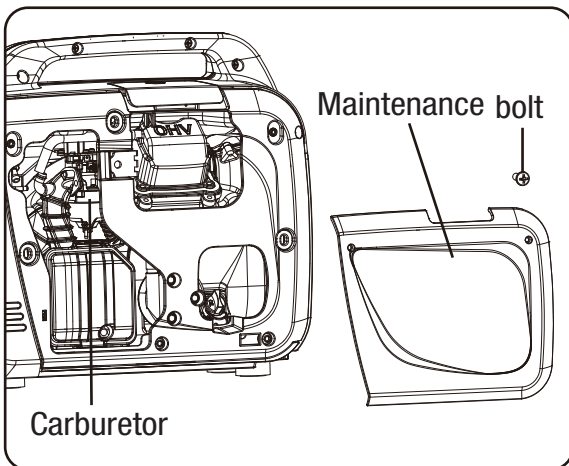


Explosion and Fire. Fuel and vapors are extremely flammable and explosive. Store fuel in a well ventilated area. Keep fire and spark away. Failure to do so will result in death or serious injury.

WARNING



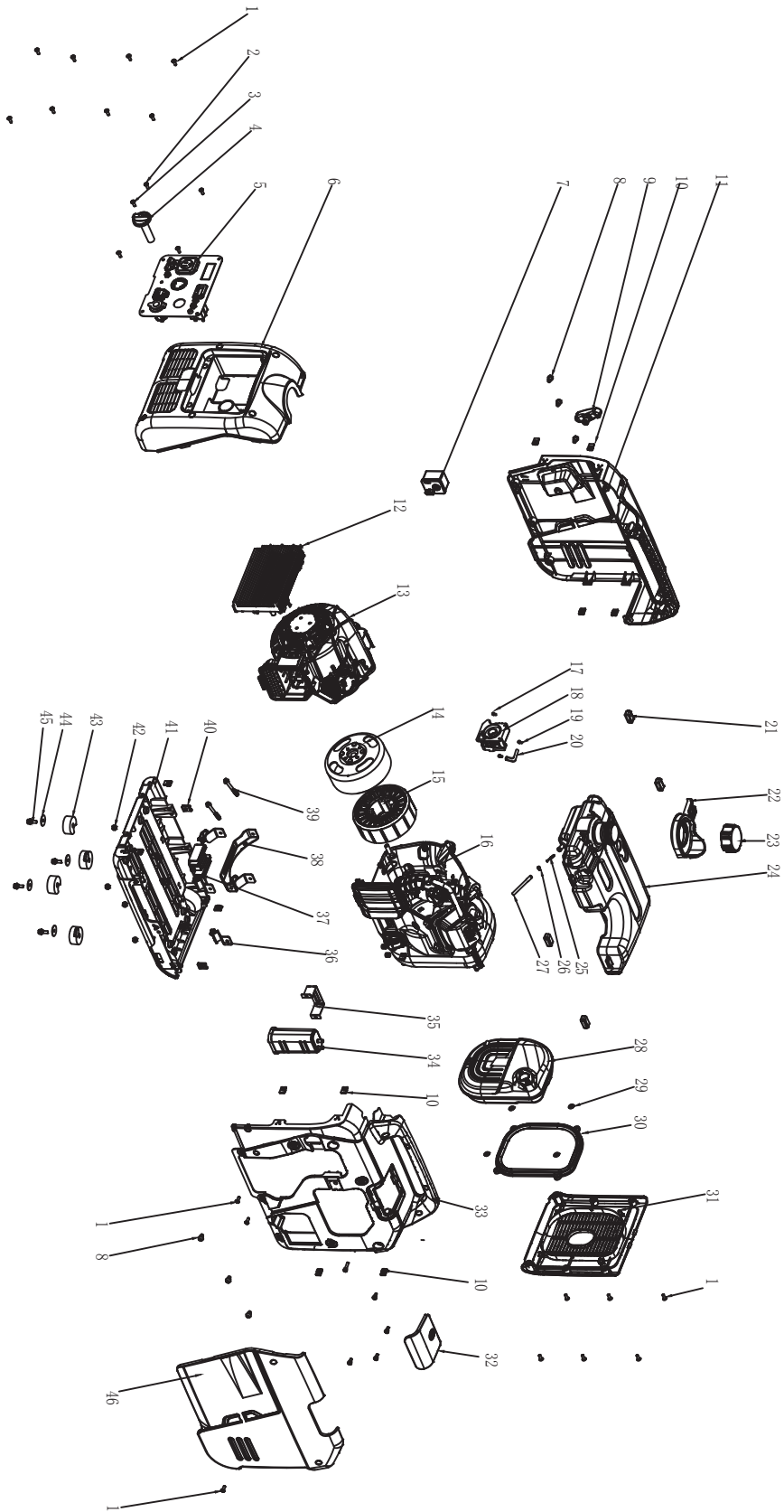
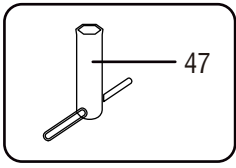
Risk of Fire. Verify machine has properly cooled before installing cover and storing machine. Hot surfaces could result in fire.



TROUBLE SHOOTING

PROBLEM	POSSIBLE CAUSE	SOLUTION
Engine is running, but no AC output is available.	<ol style="list-style-type: none"> 1. AC Circuit breaker is open. 2. Fault in generator. 3. Poor connection or defective cord set. 4. Connected device is bad. 5. GFCI outlet is open (if equipped) 	<ol style="list-style-type: none"> 1. Check AC load and reset circuit breaker. 2. Contact customer service or authorized service center. 3. Check and repair. 4. Connect another device that is in good condition. 5. Correct ground fault and press reset button on GFCI outlet.
Engine runs well at no-load, but "bogs down" when loads is connected.	<ol style="list-style-type: none"> 1. Short circuit in a connected load. 2. Engine speed is too slow. 3. Generator is overloaded. 4. Shorted generator circuit. 5. Clogged or dirty fuel filter. 6. Connected device is bad. 	<ol style="list-style-type: none"> 1. Disconnect shorted electrical load. 2. Contact customer service or authorized service center. 3. Reduce load. 4. Contact customer service or authorized service center. 5. Clean or replace fuel filter. 6. Connect another device that is in good condition.
Engine will not start; starts and runs rough or shuts down when running.	<ol style="list-style-type: none"> 1. Engine switch set to OFF (O) position. 2. Fuel valve is in OFF (O) position. 3. Low oil level. 4. Dirty air filter. 5. Out of fuel. 6. Stale fuel. 7. Spark plug wire not connected to spark plug. 8. Bad spark plug. 9. Water in fuel. 10. Flooded. 11. Excessively rich fuel mixture. 12. Intake valve stuck open or closed. 13. Engine has lost compression. 14. Clogged or dirty fuel filter. 15. Shut off due to CO accumulation & blinking red indicator light 16. Shut off due to a system fault & blinking yellow indicator light 17. Clogged or dirty spark arrester screen. 	<ol style="list-style-type: none"> 1. Set engine switch to ON (I) position. 2. Move fuel valve to ON (I) position. 3. Fill crankcase to proper level or place generator on level surface. 4. Clean or replace air cleaner. 5. Fill fuel tank. 6. Drain fuel tank and carburetor; fill with fresh fuel. 7. Connect wire to spark plug. 8. Replace spark plug. 9. Drain gas tank and carburetor; fill with fresh fuel. 10. Wait 5 minutes and re-crank engine. 11. Contact customer service or authorized service center. 12. Contact customer service or authorized service center. 13. Contact customer service or authorized service center. 14. Replace fuel filter. 15. Follow all safety instructions on CO Action Label. 16. Contact customer service or authorized service center. 17. Clean or replace spark arrester screen.
Engine lacks power.	<ol style="list-style-type: none"> 1. Load is too high. 2. Dirty air filter. 3. Clogged or dirty fuel filter. 4. Clogged or dirty spark arrester screen. 5. Engine needs to be serviced. 6. Bad fuel. 	<ol style="list-style-type: none"> 1. Reduce load. 2. Replace air filter. 3. Clean or replace fuel filter. 4. Clean or replace spark arrester screen. 5. Contact customer service or authorized service center . 6. Drain gas tank and carburetor; fill with fresh fuel.
Engine "hunts" or falters.	<ol style="list-style-type: none"> 1. Carburetor is running too rich or too lean. 2. Clogged or dirty fuel filter. 3. Choke is opened too soon. 	<ol style="list-style-type: none"> 1. Contact customer service or authorized service center . 2. Replace fuel filter. 3. Set choke to halfway position until engine runs smoothly.
Engine shuts down when running.	<ol style="list-style-type: none"> 1. Out of fuel. 2. Dirty air cleaner. 3. Low oil level. 4. Shut off due to CO accumulation & blinking red indicator light 5. Shut off due to a system fault & blinking yellow indicator light 	<ol style="list-style-type: none"> 1. Fill fuel tank. 2. Clean or replace air cleaner. 3. Fill crankcase to proper level or place generator on level surface. 4. Follow all safety instructions on CO Action Label. 5. Contact customer service or authorized service center .

PARTS DIAGRAM



WARRANTY

LIMITED WARRANTY

KEEP YOUR RECEIPT. Proof of purchase will be required to substantiate any warranty claim.

WHAT IS COVERED: A-iPower Corp. warrants to the original retail purchaser in the United States of America, or Canada that this product is free of defects in material and workmanship and agrees, at A-iPower Corp's direction, to either repair, provide replacement parts for, or replace (without charge for parts or labor) any product or component with a material defect for a period of 3 years from the date of purchase, except as limited below. Warranty service and replacement parts are warranted only for the duration of the warranty on the original product. All replaced parts or products become a property of A-iPower Corp.

This product is also covered by an Emissions Control System Warranty which is separate from and in addition to the warranty.

WARRANTY

A-iPower Limited Warranty – 3 Years Residential and 1 Year Commercial

3 years Residential warranty applies as follow: 1st year Parts & Labor / 2nd & 3rd year Parts ONLY

Thank you for choosing A-iPower products. To ensure proper registration of your product warranty, please submit your warranty registration along with proof of purchase within 10 days of the date of purchase, this can be done by

a) Completing the Warranty Registration form at the back of this manual and mailing to:

A-IPOWER CORP

10887 COMMERCE WAY UNIT A

FONTANA CA 92337 USA

b) Visit us at www.a-ipower.com and click the product registration icon

Warranty Term

A-iPower will provide warranty for any of its products purchased through any authorized AiPower dealer in North America to the original purchaser and will be warranted against defects in material or workmanship for a period of three (3) years for Consumer use from date of purchase, subject to exclusions noted herein. Commercial and Rental applications are warranted for a period of one (1) year from date of purchase.

“Consumer Use” - residential household use by a retail consumer

“Commercial Use” - all other use - commercial , business, industrial, or rental purpose

How to Obtain Warranty Service

Please call our Customer Service Dept.

855-888-3598

or e-mail to support@a-ipower.com

Please have necessary information available - Model Number, Serial Number, Proof of Purchase

DO NOT RETURN THE PRODUCT TO THE PLACE OF PURCHASE

A-iPower Customer Service Dept will assist with all product related questions and will help troubleshoot issues and will send any replacement parts as necessary while product is within the warranty period at no charge. If the issue cannot be resolved then A-iPower Customer Service Dept at its discretion determine and authorize diagnosis and repair through one of its authorized Service Centers. A-iPower Corp at its discretion may choose to provide replace of part, component, or product.

Service or replacement of parts at any unauthorized repair facility without prior authorization will not be covered by this warranty.

Warranty Exclusions

This warranty does not cover the following:

Regular wear and maintenance - this warranty will not cover repair when normal use has exhausted the lifetime of a part(s) or engine.

Installation and Maintenance - this warranty does not cover improper or unauthorized assembly, alteration, modification or any other damage resulting from misuse or neglect.

Normal maintenance parts - this warranty does not cover spark plugs, air filters, adjustments, or other related service due to obstructions and other build ups resulting from improper maintenance.

Additional exclusions - this warranty does not cover wearable parts such as filters, spark plugs, o-rings, batteries etc. It does not cover any cosmetic defects such as scratches to paint, decals etc. It does not cover any damage resulting from use of non-original manufacturer's parts, use of aftermarket parts. It does not cover any failures due to acts of God and

other force majeure events beyond the control of the manufacturer.

Warranty limits and Implications and Consequential Damages

A-iPower is not obligated to cover any loss of time, use of product, freight cost, or any other incidental or consequential claim from the use of this product. This warranty is in Lieu of all other warranties, express or implied.

This warranty gives you specific legal rights which vary from state to state.

MERCHANDISE RETURN GUIDELINES

- All products must be returned in original or equivalent packaging. Improperly packaged returns will not be accepted.
- Must have adequate packing for transportation.
- Federal Law requires that all machines that utilize gasoline, oil, or other flammable liquids must be drained Completely & Thoroughly prior to shipment.
- Gas caps and oil plugs must be left off for 24 hours prior to shipping. Please note: liability for this violation of the law resides with the sender of the shipment.
- Return to address provided in return authorization, using the parcel service required. Units returned without authorization will not be honored.
- Please Note: Refunds will not be granted for items that have been modified or damaged by abuse or usage not in accordance with product instructions.



Fontana, CA 92337 USA
Phone: 855-888-3598
support@a-ipower.com
www.a-ipower.com



A-iPOWER WARRANTY REGISTRATION FORM

Register your product by emailing this form to support@a-ipower.com or register on-line at: www.a-ipower.com.

Registering your product is important , it provides the following protections:

1. You have record of product purchased
2. Customer Service can Better serve you for Warranty related issues
3. We can contact you in the unlikely event should notification is necessary

Customer Information:

Name: _____
 Phone: _____
 E-mail: _____
 Address: _____
 City, State: _____
 Zip code: _____
 Purchase Date: _____

Product Information:

Serial # _____

Model # _____

The serial No. can be found on the engine.
PLEASE NOTE: Your product cannot be registered without model & serial numbers.

1.THE PRODUCT WAS PURCHASED FOR: A. Residential cleaning
 B. Other _____

2.THIS PRODUCT IS A: (select one)
 A. First time purchase B. Replacement

3.HOW DID YOU FIRST LEARN OF THIS PRODUCT: (select one)
 A. Radio G. Direct Mail
 B. Store Display H. From Friend/Relative/Neighbor
 C. Contractor I. Internet
 D. Trade Show J. Other _____

4. PLEASE RATE THE FOLLOWING:	Completely Satisfied				Not at all Satisfied
	5	4	3	2	1
Product Value for Price Paid	<input type="checkbox"/>	<input type="checkbox"/>	<input type="checkbox"/>	<input type="checkbox"/>	<input type="checkbox"/>
Performance	<input type="checkbox"/>	<input type="checkbox"/>	<input type="checkbox"/>	<input type="checkbox"/>	<input type="checkbox"/>
Features	<input type="checkbox"/>	<input type="checkbox"/>	<input type="checkbox"/>	<input type="checkbox"/>	<input type="checkbox"/>
Product Appearance	<input type="checkbox"/>	<input type="checkbox"/>	<input type="checkbox"/>	<input type="checkbox"/>	<input type="checkbox"/>
Warranty	<input type="checkbox"/>	<input type="checkbox"/>	<input type="checkbox"/>	<input type="checkbox"/>	<input type="checkbox"/>
Ease of Maintenance	<input type="checkbox"/>	<input type="checkbox"/>	<input type="checkbox"/>	<input type="checkbox"/>	<input type="checkbox"/>
Noise Level	<input type="checkbox"/>	<input type="checkbox"/>	<input type="checkbox"/>	<input type="checkbox"/>	<input type="checkbox"/>

5 . HOW LIKELY ARE YOU TO RECOMMEND A-iPOWER TO FAMILY OR FRIENDS?
 Extremely Likely Not Likely at all
 5 4 3 2 1

Privacy Statement: A-ipower is committed to respecting your privacy and to complying with the regulations regarding the protection of personal data. The survey data we collect is for the purposes of marketing or product support and demographic information about the entire audience registering their products.



Fontana, CA 92337 USA
Phone: 855-888-3598
support@a-ipower.com
www.a-ipower.com